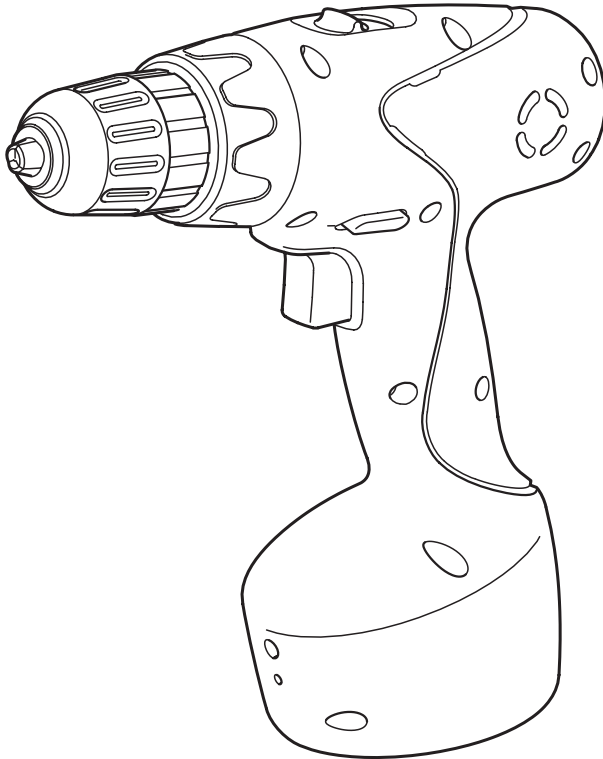


FIXA

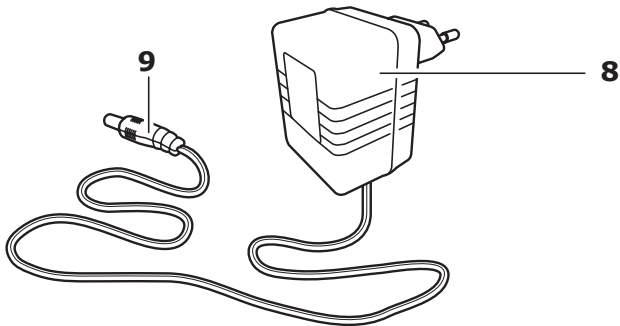
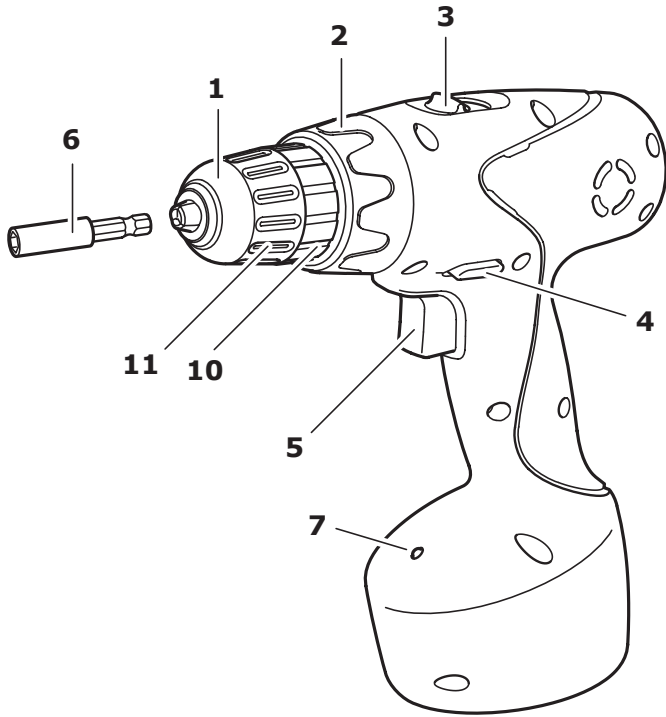
GB

FR

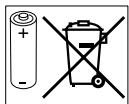
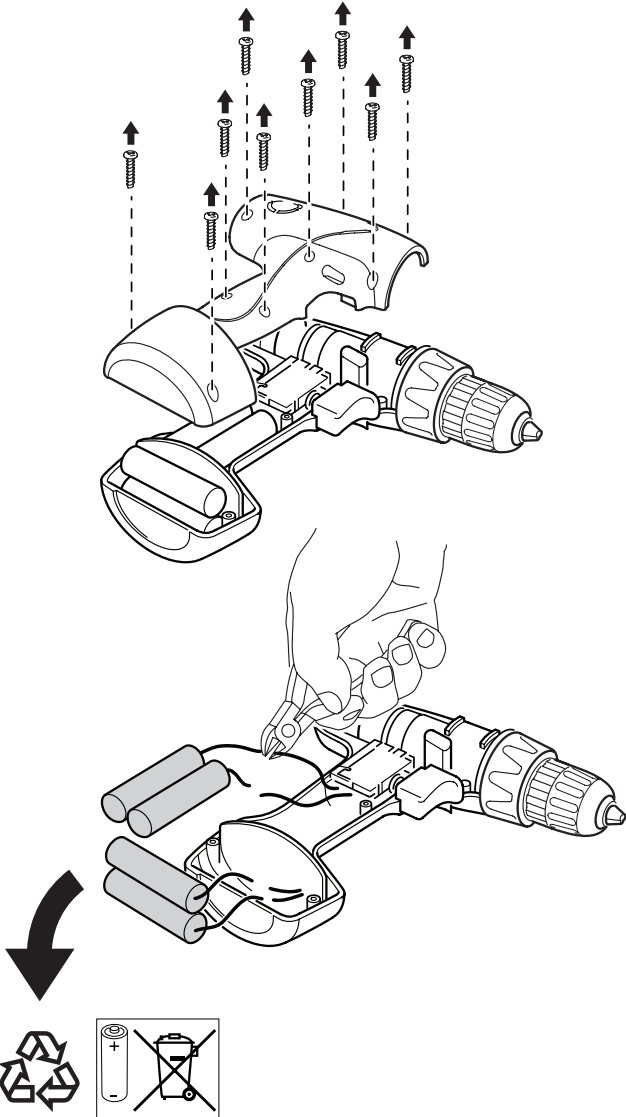
ES



Design and Quality
IKEA of Sweden



A



ENGLISH	4
Original instructions	
FRANÇAIS	12
Traduit à partir des instructions originales.	
ESPAÑOL	21
Traducido de las instrucciones originales	

FIXA screwdriver/drill Li-Ion 14.4V**TECHNICAL SPECIFICATIONS**

Voltage: 14.4 V

Battery type: 1.3 Ah Lithium-Ion

Charger: Local mains voltage

Charging time: 3 – 5 hr

Chuck capacity: 0.8 – 10 mm (1/32" - 3/8")

Adjustable torque: 19 + drilling

Max. torque: 16 Nm

Max. rpm (no-load speed)

Position I: 0 – 350 /min

Position II: 0 – 1200 /min

Holder for screwdriver bits: 6 mm (1/4")

Chuck: 10 mm (3/8"), keyless, quick-fit

quick-release chuck

Weight: 1.1 kg (2.42 lbs)

Vibration:

$< a_{h,D} = 1.245 \text{ m/s}^2$, $K = 1.5 \text{ m/s}^2$

$a_h = 0.765 \text{ m/s}^2$, $K = 1.5 \text{ m/s}^2$

Noise:

Noise pressure level $L_{pa} = 65.73 \text{ dB (A)}$,

$K_{pa} = 3 \text{ dB (A)}$

Noise power level $L_{wa} = 76.73 \text{ dB (A)}$,

$K_{wa} = 3 \text{ dB (A)}$

LIST OF FEATURES

The numbering of the product features shown refers to the illustration of the screwdriver/drill on the graphic page.

1. Keyless chuck
2. Torque regulator
3. Gear selector
4. Rotational direction switch
5. Infinitely variable speed control/trigger
6. Holder for screwdriver bit
7. Light diode
8. Transformer for charger
9. Plug for charger
10. Rear ring
11. Front sleeve

AREAS OF USE

This cordless screwdriver/drill may be used for drilling in wood, plastic and soft metal materials, and for tightening/loosening screws. The supplied drill bits are suitable for these applications. Any other application with these drill bits is not recommended.

This appliance is not intended for use by persons (including children) with reduced sensory or mental capabilities, or lack of experience and knowledge, unless they have been given supervision or instructions concerning use of the appliance by a person responsible for their safety.

Children should be supervised to ensure that they do not play with the appliance.

GENERAL SAFETY INSTRUCTIONS**General safety instructions for power tools****WARNING!**

Read all safety warnings and all instructions. Failure to follow all the warnings and instructions may result in electric shock, fire and/or serious injury.

Save all warnings and instructions for future reference.

The term "power tool" in all of the warnings listed below refers to your mains operated (corded) power tool or battery operated (cordless) power tool.

Work area safety

a. **Keep work area clean and well lit.** Cluttered and dark areas invite accidents.

b. **Do not operate power tools in explosive atmospheres, such as in the presence of flammable liquids, gasses or dust.** Power tools create sparks which may ignite the dust of fumes.

c. **Keep children and bystanders away while operating a power tool.** Distractions can cause you to lose control.

Electrical safety

a. **Power tool plugs must match the outlet. Never modify the plug in any way. Do not use any adapter plugs with earthed (grounded) power tools.** Unmodified plugs and matching outlets will reduce risk of electric shock.

b. **Avoid body contact with earthed or grounded surfaces such as pipes, radiators, ranges and refrigerators.** There is an increased risk of electric shock if your body is earthed or grounded.

c. **Do not expose power tools to rain or wet conditions.** Water entering a power tool will increase the risk of electric shock.

d. **Do not abuse the cord. Never use the cord for carrying, pulling or unplugging the power tool. Keep the cord away from heat, oil, sharp edges or moving parts.** Damaged or entangled cords increase the risk of electric shock.

e. **When operating a power tool outdoors, use an extension cord suitable for outdoor use.** Use of a cord suitable for outdoor use reduces the risk of electric shock.

f. **If operating a power tool in a damp location is unavoidable, use a residual current device (RCD) protected supply.** Use of an RCD reduces the risk of electric shock.

Personal safety

a. **Stay alert, watch what you are doing and use common sense when operating a power tool. Do not use a power tool while you are tired or under the influence of drugs, alcohol or medication.** A moment of inattention while operating power tools may result in serious personal injury.

b. **Use personal protective equipment. Always wear eye protection.** Protective equipment such as dust mask, non-skid safety shoes, hard hat, or hearing protection used for appropriate conditions will reduce personal injuries.

c. **Prevent unintentional starting: Ensure that the switch is in the off-position before connecting to power source and/or battery pack, picking up or carrying the tool.** Carrying power tools with your finger on the switch or plugging in power tools that have the switch on invites accidents.

d. **Remove any adjusting key or wrench before turning the power tool on.** A wrench or a key left attached to a rotating part of the power tool may result in personal injury.

e. **Do not overreach. Keep proper footing and balance at all times.** This enables better control of the power tool in unexpected situations.

f. **Dress properly. Do not wear loose clothing or jewellery. Keep your hair, clothing and gloves away from moving parts.** Loose clothes, jewellery or long hair can be caught in moving parts.

g. **If devices are provided for the connection of dust extraction and collection facilities, ensure these are connected and properly used.** Use of these devices can reduce dust related hazards.

Power tool use and care

a. **Do not force the power tool. Use the correct power tool for your application.** The correct power tool will do the job better and safer at the rate for which it was designed.

b. **Do not use the power tool if the switch does not turn it on and off.** Any power tool that cannot be controlled with the switch is dangerous and must be repaired.

c. **Disconnect the plug from the power source and/or the battery pack before making any adjustments, changing accessories, or storing power tools.** Such preventive safety measures reduce the risk of starting the power tool accidentally.

d. **Store idle power tools out of the reach of children and do not allow persons unfamiliar with the power tool or these instructions to operate the power tool.** Power tools are dangerous in the hands of untrained users.

e. **Maintain power tools. Check for misalignment or binding of moving parts, breakage of parts and any other condition that may affect the power**

tools operation. If damaged, have the power tool repaired before use. Many accidents are caused by poorly maintained power tools.

f. **Keep cutting tools sharp and clean.** Properly maintained cutting tools with sharp cutting edges are less likely to bind and are easier to control.

g. **Use the power tool, accessories and tool bits, etc. in accordance with these instructions and in the manner intended for the particular type of power tool, taking into account the working conditions and the work to be performed.** Use of the power tool for operations different from those intended could result in a hazardous situation.

h) **Hold the power tool by insulated gripping surfaces, when performing an operation where the fastener may contact with hidden wiring or its own cord.** Fasteners contacting a "live" wire may make exposed metal parts of the power tool "live" and could give the operator an electric shock.

Battery tool use and care

a. **Recharge only with the charger specified by the manufacturer.** A charger that is suitable for one type of battery pack may create a risk of fire when used with another battery pack.

b. **Use power tools only with specifically designated battery packs.** Use of any other battery packs may create a risk of injury and fire.

c. **When battery pack is not in use, keep it away from other metal objects, like paperclips, coins, keys, nails, screws or other small metal objects**

that can make a connection from one terminal to another. Shorting the battery terminals together may cause burns or a fire.

d. Under abusive conditions, liquid may be ejected from the battery; avoid contact. If contact accidentally occurs, flush with water. If liquid contacts eyes, additionally seek medical help. Liquid ejected from the battery may cause irritation or burns.

Service

a. Have your power tool serviced by a qualified repair person using only identical replacements parts.

This will ensure that the safety of the power tool is maintained.

MACHINE-SPECIFIC SAFETY INSTRUCTIONS

Safety warnings for drills and screwdrivers

Use appropriate detectors to determine if utility lines are hidden in the work area or call your local utility company for assistance. Contact with electric lines can lead to fire and electric shock. Damaging a gas line can lead to explosion. Penetrating a water line causes property damage or may cause an electric shock.

Switch off the power tool immediately when the tool insert jams. Be prepared for high reaction torque that can cause kickback. The tool insert jams when:

- the power tool is subject to overload or
- it becomes wedged in the workpiece.

Hold the machine with a firm grip. High reaction torque can briefly occur while driving in and loosening screws.

Secure the workpiece. A workpiece clamped with clamping devices or in a vice is held more secure than by hand.

Keep your workplace clean. Blends of materials are particularly dangerous. Dust from light alloys can burn or explode.

Always wait until the machine has come to a complete stop before placing it down. The tool insert can jam and lead to loss of control over the power tool.

Avoid unintentional switching on. Ensure the trigger is in the off position before inserting battery pack. Carrying the power tool with your finger on the trigger or inserting the battery pack into power tools that have the switch on invites accidents.

Safety Warnings for battery chargers



For indoor use only.



Double insulated.

Keep the battery charger away from rain or moisture. Penetration of water in the battery charger increases the risk of an electric shock.

Do not charge other batteries. The battery charger is suitable only for charging the batteries that were supplied with your power tool. Otherwise there is danger of fire and explosion.

Keep the battery charger clean.

Contamination can lead to danger of an electric shock.

Before each use, check the battery charger, cable and plug. If damage is detected, do not use the battery charger. Never open the battery charger yourself. Have repairs performed only by a qualified technician.

Damaged battery chargers, cables and plugs increase the risk of an electric shock.

Do not operate the battery charger on easily inflammable surfaces (e. g., paper, textiles, etc.) or surroundings.

The heating of the battery charger during the charging process can pose a fire hazard.

Children should be supervised to ensure that they do not play with the battery charger.

Products sold in **GB only**: Your product is fitted with an BS 1363/A approved electric plug with internal fuse (ASTA approved to BS 1362). If the plug is not suitable for your socket outlets, it should be cut off and an appropriate plug fitted in its place by an authorised customer service agent. The replacement plug should have the same fuse rating as the original plug. The severed plug must be disposed of to avoid a possible shock hazard and should never be inserted into a mains socket elsewhere. Products sold in **AUS only**: Use a residual current device (RCD) with a rated residual current of 30 mA or less.

VIBRATION INFORMATION**Vibration level**

The vibration emission level stated in this instruction manual has been measured in accordance with a standardised test given in UL 60745 / CSA C22.2 No. 60745. It may be used to compare one tool with another and as a preliminary assessment of exposure to vibration when using the tool for the applications mentioned in this manual. However, using the tool for different applications, or with different or poorly maintained accessories, may significantly increase the exposure level.

An estimation of the level of exposure to vibration should also take into account the times when the tool is switched off or when it is running but not actually doing the job, as this may significantly reduce the exposure level over the total working period.

Protect yourself against the effects of vibration by maintaining the tool and its accessories, keeping your hands warm, and organising your work patterns.

ASSEMBLY

Before any work on the machine (e. g., maintenance, tool change, etc.) as well as during transport and storage, set the rotational direction switch to the centre position. Unintentional actuation of the On/Off switch can lead to injuries.

Battery charging**Charging your screwdriver/drill**

When the charger is connected to the electricity supply, the red diode on the screwdriver/drill lights up. The diode lights up while the battery is being charged (7).

Under normal conditions of use the screwdriver/drill can be recharged several hundred times.

ATTENTION! The recharging process generates heat in the battery.

Note: The battery that is supplied with the screwdriver/drill has been charged for test purposes only and must be fully recharged before first time use.

First read the safety instructions and then follow the loading instructions. Insert the transformer plug into the socket in the screwdriver/drill. Then connect the charger's transformer to the electricity supply.

Make sure that there are no knots or sharp bends in the cable.

The charger's transformer and the battery have been designed to be used together.

NEVER use this charger to recharge cordless tools or batteries from other manufacturers. The battery will gradually lose its charge over a period of time, even if the tool is not used.

The lithium-ion battery is protected against deep discharging by the "Electronic Cell Protection (ECP)". When the battery is empty, the machine is switched off by means of a protective circuit: The inserted tool no longer rotates.



WARNING! Do not continue to press the On/Off switch after the machine has been automatically switched off. The battery can be damaged.



WARNING! Recharge the battery on a non-flammable surface. Do not recharge the battery for more than eight hours. The red diode will turn green when the battery has been fully loaded.

Disconnect the cable and store the transformer in a suitable place when it is not in use.

It is not advisable to recharge the battery in temperatures below freezing.

When removing the battery from the machine, actuate the trigger switch (5) until the battery is completely discharged. Unscrew the screws in the casing and take off the casing shell. Disconnect the connections on the battery and remove the battery (see illustration A).

INSTRUCTIONS FOR USE

Using the tool

Note: Sparks may be visible through the slots in the motor housing during operation. The sparks are a normal reaction of the motor when in use and are created by the components inside the motor moving against each other. The function of the power tool is not affected by this. We do however recommend not to use the power tool near any flammable liquids, gases or dust, which the sparks may ignite.

Mounting drill/driver bits

Before any work on the machine (e.g. maintenance, tool change, etc) as well as during transport and storage, set rotational direction switch to the centre position.

Unintentional actuation of the trigger can lead to injuries. Adjust the chuck until the opening is slightly larger than the shaft of the drill bit that you wish to use. Insert the drill bit into the chuck. Tighten the chuck against the drill as described below (Keyless chuck).

Regulating the shaft speed

It is possible to regulate both shaft speeds from zero to maximum by altering the pressure applied to the trigger. This enables you to choose the optimum speed for the task you are working on. Use the lower speed for tightening/loosening screws (position 1 on the gear selector (3)).

Selecting shaft speed

Use a low speed when starting to drill in metal, plastic or ceramic materials, using the screwdriver function or carrying out work that requires a high degree of torque. Use a high speed when drilling in wood. (position 2 on the gear selector (3)).

Reversing the direction of rotation

You can reverse the direction of rotation by using the rotational direction switch (4).

To lock the trigger, set the selector to the mid position between the right and left options.

Adjusting the tightening moment

Turn the torque regulator (2) to the desired position. Settings 1-19 are used for tightening/loosening screws (the higher the value, the greater the tightening moment). Select the drill symbol before using the tool for drilling.

Keyless chuck

Your drill has a keyless chuck so that you can simply tighten or release drill/driver bits.

To open/close the chuck hold the rear ring (10) and rotate the front sleeve (11).



WARNING: RISK OF TRAPPING

Do not hold the front sleeve of the chuck with one hand at the same time as you open or close the jaws of the chuck with the help of the screwdriver/drill's motor.

MAINTENANCE AND CLEANING

Before any work on the machine (e.g. maintenance, tool change, etc) as well as during transport and storage, set the rotational direction switch to the centre position. Unintentional actuation of the trigger can lead to injuries.

For safe and proper working, always keep the machine and ventilation slots clean.

ENVIRONMENTAL DISPOSAL INSTRUCTIONS

Help to protect the environment

Information (for private households) about the environmentally sound disposal of electrical and electronic equipment in accordance with the WEEE directive (Waste Electrical and Electronic Equipment).



This symbol on electrical and electronic products and the documentation that accompanies them indicates that these products may not be discarded together with ordinary household waste. Instead the products must be taken to a designated collection point where they will be received free of charge for disposal, treatment, reuse and recycling as appropriate. In certain countries products may also

be returned to the point of sale when purchasing an equivalent new product. By disposing of this product in the proper manner you are helping to save valuable natural resources and to eliminate the negative effects that the irresponsible disposal and management of waste can have on health and the environment. Please contact the relevant authorities where you live for information about your nearest WEEE collection point. Disposing of this type of waste in an unapproved manner may render you liable to fine or other penalty according to the law.

Disposing of damaged or exhausted batteries

Do not dispose of discarded batteries together into ordinary household waste, fire or water. In accordance with the law, damaged or exhausted batteries must be taken to the nearest collection point for batteries or a battery management company. Failure to comply with these regulations may render you liable to fine or other penalty.

Information about disposal for users in countries outside the European Union



This symbol applies only within the European Union. Please contact the relevant authorities or retailer in your country for information about the correct method of disposal for this product.

FIXA perceuse/visseuse Li-ion 14,4V**CARACTÉRISTIQUES TECHNIQUES**

Tension : 14,4 V

Type de batterie : 1,3 Ah Lithium-Ion

Chargeur : tension du réseau local

Durée du rechargement : 3 – 5 heures

Capacité du mandrin : 0,8 – 10 mm
(1/32"-3/8")

Couple réglable : 19 + perçage

Couple max. : 16 Nm

Rpm max. (vitesse de rotation à vide) :

Position I : 0 – 350 /min

Position II : 0 – 1200 /min

Porte-embout : 6 mm (1/4")

Mandrin : 10 mm (3/8"), auto-serrant, à serrage/desserrage rapides

Poids : 1,1 kg (2.42 lbs)

Vibration :

$a_{h,D}=1,245 \text{ m/s}^2$, $K=1,5 \text{ m/s}^2$,

$a_{h,K}=0,765 \text{ m/s}^2$, $K=1,5 \text{ m/s}^2$

Bruit :

Niveau de pression acoustique

$L_{pa} = 65,73 \text{ dB (A)}$, $K_{pa} = 3 \text{ dB (A)}$

Niveau de puissance acoustique

$L_{wa} = 76,73 \text{ dB (A)}$, $K_{wa} = 3 \text{ dB (A)}$

LISTE DES COMPOSANTS

La numérotation des composants de l'appareil se réfère à l'illustration de la perceuse-visseuse présentée sur la page graphique.

1. Mandrin auto-serrant
2. Régulateur de couple
3. Commutateur de vitesse
4. Commutateur du sens de rotation
5. Contrôle de vitesse à régulation continue/interrupteur
6. Porte-embout
7. Diode lumineuse
8. Transformateur pour chargeur
9. Prise pour chargeur
10. Anneau arrière
11. Douille avant

DOMAINES D'UTILISATION

Cette perceuse-visseuse sans fil est conçue pour le perçage dans le bois, le plastique, les matériaux métalliques mous et pour le vissage et le dévissage des vis. Les embouts de perçage fournis sont adaptés à ces applications. L'utilisation de ces embouts pour d'autres applications est déconseillée.

Cet appareil ne doit pas être utilisé par des personnes (y compris des enfants) avec des capacités physiques, sensorielles ou mentales réduites, ou manquant d'expérience et de connaissances, à moins d'être surveillées ou d'avoir reçu des instructions sur l'utilisation de l'appareil par une personne responsable de leur sécurité.

Veillez à ce que les enfants ne jouent pas avec cet appareil.

INSTRUCTIONS DE SÉCURITÉ SPÉCIFIQUES À L'OUTIL**INSTRUCTIONS DE SÉCURITÉ GÉNÉRALES**

ATTENTION !



Il est important de lire toutes les mises en garde et les instructions d'utilisation. A défaut de se conformer aux mises en garde et aux instructions ci-dessous, l'utilisateur risque l'électrocution, un départ d'incendie et/ou une blessure.

Conservez cette notice pour une utilisation ultérieure.

Le terme « outil » dans tous les avertissements ci-dessous fait référence à votre outil électrique alimenté par le secteur (avec cordon d'alimentation) ou votre outil fonctionnant sur batterie (sans cordon d'alimentation).

Sécurité de la zone de travail

a. Conserver la zone de travail propre et bien éclairée. Les zones en désordre et sombres sont propices aux accidents.

b. Ne pas faire fonctionner les outils électriques en atmosphère explosive, par exemple en présence de liquides inflammables, de gaz ou de poussières. Les outils électriques produisent des étincelles qui peuvent enflammer les poussières ou les fumées.

c. Maintenir les enfants et les personnes présentes à l'écart pendant l'utilisation de l'outil. Les distractions peuvent vous faire perdre le contrôle de l'outil.

Sécurité électrique

a. Il faut que les fiches de l'outil électrique soient adaptées au socle. Ne jamais modifier la fiche de quelque façon que ce soit. Ne pas utiliser d'adaptateurs avec des outils à branchement de terre. Des fiches non modifiées et des socles adaptés réduiront le risque de choc électrique.

b. Eviter tout contact du corps avec des surfaces reliées à la terre telles que les tuyaux, les radiateurs, les cuisinières et les réfrigérateurs. Il existe un risque accru de choc électrique si votre corps est relié à la terre.

c. Ne pas exposer les outils à la pluie ou à des conditions humides. La pénétration d'eau à l'intérieur d'un outil augmentera le risque de choc électrique.

d. Ne pas faire un mauvais usage du cordon. Ne jamais utiliser le cordon pour porter, tirer ou débrancher l'outil. Maintenir le cordon à l'écart de la chaleur, du lubrifiant, des arêtes ou des parties en mouvement. Les cordons endommagés ou emmêlés augmentent le risque de choc électrique.

e. Lorsque vous utilisez un outil à l'extérieur, servez-vous d'une rallonge adaptée à l'utilisation extérieure. L'utilisation d'un câble adapté à l'utilisation extérieure réduit le risque de choc électrique.

f. Si l'usage d'un outil dans un emplacement humide est inévitable, utiliser une alimentation protégée par un dispositif à courant résiduel (RCD). L'usage d'un RCD réduit le risque de choc électrique.

Sécurité des personnes

a. Restez vigilant, regardez ce que vous êtes en train de faire et faites preuve de bon sens dans votre utilisation de l'outil. Ne pas utiliser un outil lorsque vous êtes fatigué ou sous l'emprise de drogues, d'alcool ou de médicaments. Un moment d'inattention en cours d'utilisation d'un outil peut entraîner des blessures graves des personnes.

b. Utiliser un équipement de sécurité. Toujours porter une protection pour les yeux. Les équipements de sécurité tels que les masques contre les poussières, les chaussures de sécurité

antidérapantes, les casques ou les protections acoustiques utilisés pour les conditions appropriées réduiront les blessures de personnes.

c. Éviter tout démarrage intempestif. S'assurer que l'interrupteur est en position arrêt avant de brancher l'outil au secteur et/ou au bloc de batteries, de le ramasser ou de le porter. Porter les outils en ayant le doigt sur l'interrupteur ou brancher des outils dont l'interrupteur est en position marche est source d'accidents.

d. Retirer toute clé de réglage avant de mettre l'outil en marche. Une clé laissée fixée sur une partie tournante de l'outil peut occasionner des blessures de personnes.

e. Ne pas se précipiter. Garder une position et un équilibre adaptés à tout moment. Cela permet un meilleur contrôle de l'outil dans des situations inattendues.

f. S'habiller de manière adaptée. Ne pas porter de vêtements amples ou de bijoux. Garder les cheveux, les vêtements et les gants à distance des parties en mouvement. Des vêtements amples, des bijoux ou les cheveux longs peuvent être pris dans des parties en mouvement.

g. Si des dispositifs sont fournis pour le raccordement d'équipements pour l'extraction et la récupération des poussières, s'assurer qu'ils sont connectés et correctement utilisés. Utiliser des collecteurs de poussière peut réduire les risques dus aux poussières.

Utilisation et entretien de l'outil

a. Ne forcez pas l'outil. Utilisez l'outil adapté à votre application. L'outil adapté réalisera mieux le travail et de manière plus sûre au régime pour lequel il a été construit.

b. Ne pas utiliser l'outil si l'interrupteur ne permet pas de passer de l'état de marche à arrêt et vice versa. Tout outil qui ne peut pas être commandé par l'interrupteur est dangereux et doit être réparé.

c. Débranchez la fiche de la source d'alimentation en courant et/ou le bloc de batteries de l'outil avant tout réglage, changement d'accessoires ou avant de ranger l'outil. Ces mesures préventives réduisent le risque de démarrage accidentel de l'outil.

d. Conservez les outils à l'arrêt hors de la portée des enfants et ne pas permettre à des personnes ne connaissant pas l'outil ou les présentes instructions de le faire fonctionner. Les outils sont dangereux entre les mains d'utilisateurs novices.

e. Entretenez les outils électriques. Vérifiez qu'il n'y a pas de mauvais alignement ou de blocage des parties mobiles, des pièces cassées ou toute autre condition pouvant affecter le fonctionnement de l'outil. En cas de dommages, faites réparer l'outil avant de l'utiliser. De nombreux accidents sont dus à des outils mal entretenus.

f. Gardez affûtés et propres les outils permettant de couper. Des outils correctement entretenus, avec des pièces coupantes tranchantes, sont

moins susceptibles de bloquer et sont plus faciles à contrôler.

g. Utilisez l'outil, les accessoires et les lames etc., conformément à ces instructions, en tenant compte des conditions de travail et du travail à réaliser. L'utilisation de l'outil pour des opérations différentes de celles prévues pourrait donner lieu à des situations dangereuses.

h. Tenir l'outil par les surfaces de préhension isolées, lors de la réalisation d'une opération au cours de laquelle l'organe de fixation peut entrer en contact avec un câblage non apparent ou son propre cordon d'alimentation. Le contact avec un fil « sous tension » peut également mettre « sous tension » les parties métalliques exposées de l'outil électrique et provoquer un choc électrique sur l'opérateur.

Utilisation et entretien d'un outil à piles

a. Rechargez uniquement avec le chargeur indiqué par le fabricant. Un chargeur qui est adapté à un type de bloc de batteries peut créer un risque de feu lorsqu'il est utilisé avec un autre type de bloc de batteries.

b. N'utilisez les outils qu'avec des blocs de batteries spécifiquement désignés. L'utilisation de tout autre bloc de batteries peut créer un risque de blessure et de feu.

c. Lorsqu'un bloc de batteries n'est pas utilisé, le maintenir à l'écart de tout autre objet métallique, par exemple trombones, pièces de monnaie, clés, clous, vis ou autres objets de petite taille qui peuvent

donner lieu à une connexion d'une borne à une autre. Le court-circuitage des bornes d'une batterie entre elles peut causer des brûlures ou un feu.

d. Dans de mauvaises conditions, du liquide peut être éjecté de la batterie; éviter tout contact. En cas de contact accidentel, nettoyez à l'eau. Si le liquide entre en contact avec les yeux, adressez-vous à un médecin. Le liquide éjecté des batteries peut causer des irritations ou des brûlures.

Maintenance

a. Faire entretenir l'outil par un réparateur qualifié utilisant uniquement des pièces de rechange identiques.

Cela assurera que la sécurité de l'outil est préservée.

INSTRUCTIONS DE SÉCURITÉ SPÉCIFIQUES À L'OUTIL

Instructions de sécurité perceuses/visseuses

Utilisez des détecteurs appropriés pour déceler des conduites cachées ou consultez votre entreprise d'approvisionnement locale. Un contact avec des conduites d'électricité peut provoquer un feu ou un choc électrique. L'endommagement d'une conduite de gaz peut causer une explosion. La perforation d'une conduite d'eau génère des dégâts matériels.

Arrêtez immédiatement l'outil électrique lorsque l'outil coince.

Attendez-vous à des couples de réaction importants causant un contrecoup. L'outil se bloque lorsque :

- l'outil électrique est surchargé ou qu'il coince dans la pièce à travailler.

Tenez fermement l'outil électrique.

Lors du vissage ou du dévissage, il peut y avoir des couples de réaction instantanés élevés.

Bloquez la pièce à travailler. Une pièce à travailler serrée par des dispositifs de serrage ou dans un étau est fixée de manière plus sûre que tenue dans les mains.

Veillez à la propreté de la place de travail.

Les mélanges de matériaux sont particulièrement dangereux. Les poussières de métaux légers peuvent être explosives ou inflammables.

Avant de déposer l'outil électrique, attendez que celui-ci soit complètement à l'arrêt. L'outil risque de se coincer, ce qui entraîne une perte de contrôle de ce dernier.

Évitez une mise en marche par mégarde. Assurez-vous que l'interrupteur est effectivement en position d'arrêt avant d'insérer la batterie. Le fait de porter l'outil en laissant le doigt sur l'interrupteur ou de mettre en place la batterie dans l'outil lorsque celui-ci est en marche peut entraîner des accidents.

Instructions de sécurité pour chargeurs

Pour une utilisation à l'intérieur uniquement.



Double isolation.

Tenez le chargeur de batterie à l'abri de la pluie ou de l'humidité. Si de l'eau pénètre dans le chargeur de batterie, cela augmente le risque de choc électrique.

Ne pas recharger d'autres batteries avec cet appareil. Ce chargeur est conçu uniquement pour recharger les batteries fournies avec votre outil électrique. L'utilisation d'autres batteries peut créer un risque de feu et d'explosion.

Veillez à la propreté du chargeur de batterie. Une contamination peut entraîner un risque de choc électrique.

Avant chaque utilisation, vérifiez le chargeur de batterie, le câble et la prise. Si l'un de ces éléments n'est pas en bon état, ne pas utiliser le chargeur de batterie. Ne jamais ouvrir vous-même le chargeur de batterie. Faites-le réparer par un technicien qualifié. L'utilisation de chargeurs, de câbles ou de prises abîmés accroît le risque de choc électrique.

Ne pas faire fonctionner le chargeur de batterie dans des environnements ou sur des surfaces facilement inflammables (par ex. sur du papier, tissu, etc.). La chaleur produite par le chargeur de batterie durant le processus de rechargement peut créer un risque de feu.

Les enfants doivent être surveillés pour s'assurer qu'ils ne jouent pas avec le chargeur de batterie.

INFORMATIONS SUR LA VIBRATION**Niveau de vibration**

Le niveau d'émission vibratoire indiqué dans cette notice d'instructions a été mesuré conformément à un test standardisé prévu par la norme UL 60745

/ CSA C22.2 No. 60745 Il peut être utilisé pour comparer des outils entre eux et pour effectuer une évaluation préliminaire de l'exposition aux vibrations lorsque l'on utilise l'outil pour les applications mentionnées dans cette notice. Néanmoins, si l'outil est utilisé pour d'autres applications ou avec des accessoires différents ou mal entretenus, ceci peut augmenter de façon significative le niveau d'exposition.

Pour une estimation précise du niveau d'exposition aux vibrations, il est recommandé de prendre aussi en considération les moments pendant lesquels l'outil est éteint ou qu'il est en fonctionnement mais pas vraiment utilisé. Ceci peut réduire significativement le niveau d'exposition pendant toute la durée du travail.

Protégez-vous contre les effets de la vibration en entretenant correctement l'outil et ses accessoires, en maintenant vos mains chaudes et en organisant vos opérations de travail.

MONTAGE

Avant d'effectuer des travaux sur l'appareil (par ex. travaux d'entretien, changement d'outils, etc.) et avant de le transporter ou stocker, toujours mettre le commutateur de sens de rotation en position médiane. Il y a risque de blessure lorsqu'on appuie par mégarde sur l'interrupteur.

CHARGEMENT DE LA BATTERIE

Chargement de votre perceuse-visseuse

Lorsque le chargeur est branché sur l'alimentation électrique, la diode rouge sur la perceuse/visseuse s'allume. La

diode reste allumée pendant la charge de la batterie (7).

Dans des conditions normales d'utilisation, la visseuse peut être rechargée des centaines de fois.

ATTENTION ! La batterie chauffe durant la charge.

NB : la batterie fournie avec la visseuse a été chargée partiellement pour les tests et doit donc être entièrement rechargée avant l'utilisation.

Lisez tout d'abord les instructions de sécurité puis suivez les consignes pour le chargement de la batterie. Insérez la fiche du transformateur dans l'embout de la perceuse-visseuse. Puis branchez le transformateur du chargeur sur l'alimentation électrique.

Vérifiez que le câble n'est ni noué ni plié.

Le transformateur du chargeur et la batterie ont été conçus pour s'utiliser ensemble.

NE JAMAIS utiliser ce chargeur pour recharger des outils sans fil ou des batteries provenant d'autres fabricants. La batterie se décharge progressivement sur une certaine durée, même lorsque l'outil n'est pas utilisé.

Cette batterie lithium-ion est protégée contre les décharges totales grâce à la technologie « Electronic Cell Protection (ECP) ». Lorsque la batterie est vide, l'outil est éteint par le biais d'un circuit de protection : aucun élément inséré ne peut alors tourner.



ATTENTION ! Ne pas continuer à appuyer sur l'interrupteur On/Off après que l'outil s'est automatiquement éteint. La batterie risque d'être endommagée.



ATTENTION ! Rechargez la batterie sur une surface ininflammable. Ne pas recharger la batterie durant plus de huit heures. La diode rouge devient verte lorsque la batterie est entièrement chargée.

Débranchez le câble et rangez le transformateur dans un endroit approprié lorsqu'il n'est pas utilisé.

Il est déconseillé de recharger la batterie lorsque les températures descendent en dessous de zéro.

Pour retirer la batterie de l'outil, actionnez l'interrupteur (5) jusqu'à ce que la batterie soit complètement déchargée. Dévissez les vis du boîtier et retirez la protection du boîtier.

Débranchez les fils sur la batterie et retirez la batterie (voir illustration A).

INSTRUCTIONS D'UTILISATION

Utiliser l'outil

Remarque : des étincelles peuvent être visibles par les ouïes de refroidissement du moteur. L'apparition d'étincelles est normale quand le moteur fonctionne et elle s'explique par le frottement de composants à l'intérieur du moteur. La puissance de l'outil n'en est pas affectée. Nous recommandons cependant de ne pas utiliser l'outil à proximité de liquides inflammables, de gaz ou de poussière, que les étincelles risquent d'enflammer.

Monter les embouts de perçage/ vissage

Avant d'effectuer des travaux sur l'appareil (par ex. travaux d'entretien, changement d'outils, etc.) et avant de le transporter ou de le stocker, toujours mettre le commutateur de sens de rotation en position médiane. Il y a risque de blessure lorsqu'on appuie par mégarde sur l'interrupteur.

Réglez le mandrin de façon à ce que l'ouverture soit légèrement plus grande que l'embout que vous souhaitez utiliser. Insérez l'embout dans le mandrin. Serrez le mandrin comme décrit ci-dessus (mandrin auto-serrant).

Réglage de la vitesse de rotation

Il est possible de régler les deux vitesses de rotation de zéro au maximum en variant la pression exercée sur l'interrupteur. Ceci vous permet de choisir la vitesse adéquate pour le travail à réaliser. Utilisez la vitesse la plus réduite pour serrer/desserrer les vis (position 1 sur le commutateur de vitesse (3)).

Choix de la vitesse de rotation

Utilisez une vitesse réduite pour commencer à percer du métal, du plastique ou de la céramique, quand vous utilisez l'appareil comme visseuse ou lorsque vous réalisez un travail nécessitant un couple élevé. Utilisez une vitesse plus grande lorsque vous percez du bois (position 2 sur le commutateur de vitesse (3)).

Inverser le sens de rotation

Vous pouvez inverser le sens de rotation en utilisant le commutateur du sens de rotation (4).

Pour verrouiller l'interrupteur, placez le sélecteur sur la position intermédiaire entre les deux options, de droite et de gauche.

Réglage du couple de serrage

Tournez le régulateur de couple (2) sur la position souhaitée. Les positions allant de 1 à 19 servent à serrer/desserrer les vis (plus la valeur est élevée, plus le couple de serrage est meilleur). Sélectionnez le symbole de la perceuse avant d'utiliser l'outil pour percer des trous.

Mandrin auto-serrant

Votre perceuse est dotée d'un mandrin auto-serrant, ce qui permet de serrer ou desserrer facilement les embouts de la perceuse/du tournevis.

Pour ouvrir/fermer le mandrin, saisissez l'anneau arrière (10) et faites pivoter la douille avant (11).



ATTENTION : RISQUE D'ACCIDENT

Ne pas tenir la douille avant du mandrin d'une main en même temps que vous ouvrez ou fermez les mors du mandrin à l'aide du moteur de la perceuse/visseuse.

NETTOYAGE ET ENTRETIEN

Avant d'effectuer des travaux sur l'appareil (par ex. travaux d'entretien, changement d'outils, etc.) et avant de le transporter ou stocker, toujours mettre le commutateur de sens de rotation en position médiane. Il y a risque de blessure lorsqu'on appuie par mégarde sur l'interrupteur Marche/Arrêt.

Pour obtenir un travail propre et impeccable, veillez à ce que l'outil et les fentes de ventilation soient toujours propres.

INSTRUCTIONS DE MISE AU REBUT ENVIRONNEMENTALE

Pour la protection de l'environnement

Informations (destinées aux particuliers) relatives au traitement des déchets d'équipements électriques et électroniques (directive DEEE).



Le symbole apposé sur les produits électriques et électroniques et les documents les accompagnant indique que ces produits usés ne doivent pas être jetés avec les déchets ménagers. Pour un traitement, une récupération et un recyclage adéquats, merci d'apporter ces produits à un point de collecte désigné, où ils seront acceptés gratuitement. Dans certains pays, il est possible de retourner ces produits chez le détaillant à condition d'acheter un produit neuf équivalent. En mettant correctement ces produits au rebut, vous contribuez à économiser des ressources précieuses et à éviter des effets nuisibles sur la santé humaine et l'environnement qui pourraient être engendrés par une mise au rebut et un traitement inadéquats. Merci de contacter les autorités locales pour plus d'informations sur le point de collecte le plus proche. Ne pas respecter la législation locale sur la mise au rebut de ce type d'appareil peut être passible d'une amende.

Mise au rebut des batteries

Ne pas jeter les batteries dans les ordures ménagères, ni dans les flammes ou l'eau. Les batteries doivent être collectées, recyclées ou éliminées en conformité avec les réglementations locales se rapportant à l'environnement. Ne pas respecter ces

réglementations peut être passible d'une amende.

Informations relatives à la mise au rebut dans les pays hors de l'Union Européenne.



Ce symbole est valable uniquement dans l'Union Européenne.

Pour mettre ce produit au rebut, prendre contact avec les autorités locales ou votre revendeur afin de connaître la procédure appropriée.

**FIXA taladro/destornillador Litio-ion
14,4V**

DATOS TÉCNICOS

Voltaje: 14,4 V.
 Tipo de batería: 1,3 Ah ion-litio.
 Cargador: tensión de la red local.
 Tiempo de carga: 3-5 h.
 Capacidad del portabrocas: 0,8-10 mm.
 Par de torsión regulable: perforación 19+.
 Par de giro máx.: 16 Nm.
 Rpm máx. (velocidad de rotación en vacío):
 Posición I: 0 - 350 /min.
 Posición II: 0 - 1200 /min.
 Ø máx. de tornillos: 6 mm.
 Portabrocas: 10 mm, sin llave, sujeción/
 liberación rápida.
 Peso: 1,1 kg.
 Vibración:
 < $a_{h,D}=1,245 \text{ m/s}^2$, $K=1,5 \text{ m/s}^2$,
 $a_{h,V}=0,765 \text{ m/s}^2$, $K=1,5 \text{ m/s}^2$.
 Ruido:
 Nivel de presión acústica
 $L_{pa} = 65,73 \text{ dB (A)}$, $K_{pa} = 3 \text{ dB (A)}$.
 Nivel de potencia acústica
 $L_{wa} = 76,73 \text{ dB (A)}$, $K_{wa} = 3 \text{ dB (A)}$.

LISTA DE COMPONENTES

La numeración de los componentes del destornillador/taladro que aparece se refiere a la ilustración de la página de información gráfica.

1. Portabrocas con autoajuste.
2. Regulador de par.
3. Selector de velocidad.
4. Selector de sentido de giro.
5. Control de velocidad de regulación continua/interruptor.
6. Soporte de brocas.
7. LED.
8. Transformador para cargador.
9. Toma del transformador.
10. Anillo posterior.
11. Carátula delantera.

ÁREAS DE USO

Este destornillador/taladro sin cable ha sido diseñado para perforar madera, plástico y metales blandos, y para apretar/soltar tornillos. Las brocas que se incluyen son adecuadas para estas aplicaciones. Se desaconseja utilizar las brocas para otros fines.

Este aparato no debe ser utilizado por personas (incluidos los niños) con una capacidad física, sensorial o mental reducida, o a quienes falte experiencia y conocimientos, a no ser que reciban supervisión e instrucciones sobre el uso de esta herramienta de una persona responsable de su seguridad.

Es necesaria la supervisión de un adulto para asegurarse de que los niños no juegan con el aparato.

INSTRUCCIONES DE SEGURIDAD ESPECÍFICAS DEL APARATO

INSTRUCCIONES DE SEGURIDAD GENERALES



¡Atención!



Lee todas las instrucciones y advertencias. En caso de no observar las instrucciones y advertencias siguientes puede causar descargas eléctricas, incendios y/o daños graves.

Guarda las instrucciones de seguridad y advertencias para futuras consultas. El término herramienta eléctrica empleado en las instrucciones siguientes se refiere a dispositivos de conexión a la red eléctrica (con cables) y a dispositivos accionados

por acumulador (sin cables).

Área de trabajo

Mantén el área de trabajo limpia y bien iluminada. El riesgo de accidentes aumenta en zonas oscuras y desordenadas.

No utilices herramientas eléctricas en entornos explosivos, por ejemplo en presencia de líquidos, gases o polvos inflamables. Las herramientas eléctricas despiden chispas que pueden prender el polvo o el humo.

Mantén alejados a los niños y demás personas cuando utilices herramientas eléctricas. Una distracción puede causar la pérdida de control.

Seguridad eléctrica

a. El enchufe de la herramienta eléctrica debe encajar en la toma de corriente. Nunca modifiques el enchufe. No utilices adaptadores en herramientas eléctricas con toma de tierra. La utilización de enchufes sin alterar y de tomas de corrientes adaptadas reduce el riesgo de descarga eléctrica.

b. Evita tocar con el cuerpo superficies con toma de tierra como tuberías, radiadores, hornos y frigoríficos. El riesgo de descarga eléctrica aumenta cuando el cuerpo está en contacto con la tierra.

c. No expongas las herramientas eléctricas a la lluvia o a la humedad. Si el agua penetra en la herramienta eléctrica, aumenta el riesgo de descarga eléctrica.

d. Utiliza correctamente el cable. Nunca uses el cable para transportar, tirar o desenchufar la herramienta. Aleja el cable del calor, del aceite, de partes móviles o punzantes. Los cables dañados o enredados aumentan el riesgo de descarga eléctrica.

e. Cuando utilices la herramienta eléctrica en el exterior, usa cables de prolongación aptos para exteriores. Utilizando cables aptos para uso en exteriores, se reduce el riesgo de descarga eléctrica.

f. Si fuese imprescindible utilizar la herramienta eléctrica en un entorno húmedo, es necesario conectarla a través de dispositivo de corriente residual (DCR). El uso de un DCR reduce el riesgo de descarga eléctrica.

Seguridad personal

a. Cuando utilices herramientas eléctricas, presta siempre la máxima atención, concéntrate en las operaciones que estás efectuando y aplica el sentido común. No utilices herramientas eléctricas cuando estés cansado, bajos los efectos de las drogas, del alcohol o de medicamentos. Un momento de distracción durante la utilización de la herramienta, puede causar graves daños personales.

b. Utiliza equipos de protección personal. Ponte siempre protección en los ojos. La utilización de equipos de protección como máscara para el polvo, calzado de seguridad antideslizante, casco o protección para los oídos en las condiciones adecuadas, reduce el riesgo de eventuales daños personales.

c. Evita la puesta en marcha accidental. Comprueba que el interruptor esté desconectado antes de conectarla a la toma de corriente y/o acumulador. Si transportas la herramienta eléctrica sujetándola por el interruptor o conectas la herramienta cuando el interruptor está en la posición de conexión, es posible que se produzcan accidentes.

d. Antes de encender la herramienta, quita cualquier llave de regulación ya que podría causar daños, si permanece unida a alguna parte rotatoria de la herramienta.

e. No te balancees. Mantén siempre una postura y equilibrio correctos, porque te permite controlar mejor la herramienta en situaciones imprevistas.

f. Viste una indumentaria adecuada. No lleses joyas ni prendas demasiado amplias. Mantén el cabello, los guantes y la ropa alejada de las partes en movimiento. Las prendas amplias, las joyas y el cabello podrían engancharse en las partes móviles.

g. Si se proporcionan dispositivos para conexión y aparatos para extracción y recogida del polvo, comprueba que están conectados y se utilizan correctamente. El uso de estos dispositivos reduce el riesgo de los daños causados por el polvo.

Uso y mantenimiento de la herramienta

a. No fuerces las herramientas eléctricas. Utiliza la herramienta adecuada para cada tarea. La herramienta eléctrica correcta te permite trabajar de

forma más eficiente y segura.

b. No utilices la herramienta eléctrica si el interruptor no se enciende y apaga. Cualquier herramienta que el interruptor no controle es peligrosa y debe repararse.

c. Desenchufa el aparato y/o desmonta el acumulador antes de regular la herramienta, cambiar un accesorio o guardar el dispositivo. Estas medidas de seguridad preventivas reducen el riesgo de puesta en marcha accidental del aparato.

d. Guarda las herramientas eléctricas fuera del alcance de los niños. No permitas que utilicen estos dispositivos personas que desconocen las herramientas y su funcionamiento. Una herramienta eléctrica es un peligro en manos de personas inexpertas.

e. Cuida la herramienta eléctrica con esmero. Controla si funcionan correctamente, sin atascarse, las partes móviles de la herramienta eléctrica, y si existen partes rotas o deterioradas que pudieran afectar al funcionamiento de la herramienta eléctrica. Haz reparar estas piezas defectuosas antes de volver a utilizar la herramienta eléctrica. Muchos accidentes se deben a herramientas eléctricas con un mantenimiento deficiente.

f. Mantén los útiles limpios y afilados. Los útiles mantenidos correctamente se dejan guiar y controlar mejor.

g. Utiliza la herramienta eléctrica, accesorios, útiles, etc. de acuerdo a estas instrucciones, considerando las condiciones de trabajo y la tarea

a realizar. El uso de herramientas eléctricas para trabajos diferentes de aquellos para los que han sido concebidas puede resultar peligroso.

h. Sujeta la herramienta únicamente por las empuñaduras aisladas, al realizar trabajos en los que el aparato pueda tocar conductores eléctricos ocultos o su propio cable. El contacto con conductores portadores de tensión puede hacer que las partes metálicas de la herramienta provoquen una descarga eléctrica.

Uso y mantenimiento de los acumuladores

a. Cargar solamente los acumuladores con el cargador especificado por el fabricante. Existe riesgo de incendio al intentar cargar acumuladores de un tipo diferente al previsto para el cargador.

b. Utiliza solo los acumuladores diseñados específicamente para la herramienta eléctrica. El uso de otro tipo de acumuladores puede provocar daños e incendios.

c. Si no utilizas el acumulador, guárdalo separado de clips, monedas, llaves, tornillos, clavos u otros objetos metálicos que puedan crear la conexión entre terminales. El cortocircuito de los contactos del acumulador puede causar quemaduras o un incendio.

d. El uso inadecuado del acumulador puede provocar fugas de líquido. Evita el contacto con el mismo. En caso de contacto accidental enjuaga con agua limpia. Si el líquido entra en contacto con los ojos, recurre inmediatamente a un médico. El líquido del acumulador

puede provocar quemaduras e irritación.

Servicio

a. Haz reparar la herramienta eléctrica sólo por un profesional, empleando exclusivamente piezas de repuesto originales.

Así se mantiene la seguridad de la herramienta eléctrica.

INSTRUCCIONES DE SEGURIDAD ESPECÍFICAS DEL APARATO

Seguridad para taladros/destornilladores

Utiliza aparatos de exploración adecuados para detectar conductores o tuberías ocultas, o consulta a las empresas de suministro local. El contacto con conductores eléctricos puede provocar un incendio o una descarga eléctrica. Dañar una tubería de gas puede producir una explosión. La perforación de una tubería de agua puede causar daños materiales o una descarga eléctrica.

Desconecta inmediatamente la herramienta si se bloquea. Debes estar preparado para soportar la elevada fuerza de reacción que ocasiona un rechazo. El útil se bloquea:

- si la herramienta se sobrecarga, o
- si éste se ladea en la pieza de trabajo.

Sujeta la herramienta con firmeza. Al apretar o aflojar tornillos se puede producir una elevada fuerza de reacción. **Asegura la pieza de trabajo.** Una pieza de trabajo fijada con dispositivos de sujeción o en un tornillo de banco se mantiene sujeta de forma mucho más segura que con la mano.

Mantén limpio el puesto de trabajo.

La mezcla de diversos materiales es especialmente peligrosa. Las aleaciones ligeras en polvo pueden arder o explotar.

Antes de depositarla, espera a que se haya detenido por completo la herramienta.

El útil puede engancharse y hacerte perder el control sobre la herramienta eléctrica.

Evita una puesta en marcha fortuita.

Antes de montar el acumulador, comprueba que el interruptor esté en la posición de desconexión. El transporte de la herramienta sujetándola por el interruptor o la inserción del acumulador estando conectada la herramienta puede provocar un accidente.

Instrucciones de seguridad para cargadores

Usar únicamente en el interior.



Aislamiento doble

No expongas la herramienta eléctrica a la lluvia o humedad. Existe el peligro de recibir una descarga eléctrica si penetra el agua en el cargador.

No cargues otro tipo de

acumuladores. El cargador es adecuado solo para cargar los acumuladores que se suministran con la herramienta eléctrica. En caso contrario existe el riesgo de provocar un incendio o explosión.

Mantén limpio el cargador, ya que la suciedad puede provocar una descarga eléctrica.

Antes de cada uso, comprueba el cargador, el cable y el enchufe. Si uno de estos elementos no estuviera en buen estado, no utilices el cargador. Nunca abras el acumulador. Haz reparar la herramienta solo por técnicos cualificados. Los cargadores, cables y enchufes en mal estado aumentan el riesgo de descarga eléctrica.

No manipules el cargador sobre superficies que se inflamen con facilidad (p. ej. sobre papel, tejido, etc.). El calor que desprende el cargador durante el proceso de carga puede crear un riesgo de incendio.

Se debe supervisar a los niños para asegurar que no juegan con el cargador.

INFORMACIÓN SOBRE VIBRACIONES**Nivel de vibración**

El nivel de vibración indicado en este manual de instrucciones se ha medido de acuerdo con la prueba de la norma UL 60745 / CSA C22.2 No. 60745 que permite comparar una herramienta con otra y evaluar de forma preliminar la exposición a las vibraciones durante el uso de la herramienta. Sin embargo, si se utiliza la herramienta para aplicaciones distintas, con accesorios diferentes o con mal mantenimiento puede aumentar sensiblemente el nivel de exposición a las vibraciones.

Para determinar en nivel de exposición a las vibraciones hay que tener en cuenta también el tiempo que la herramienta está desconectada o está en funcionamiento, pero sin ser utilizada realmente, ya que puede reducir significativamente el nivel de exposición durante el tiempo total del trabajo.

Protégete del efecto de las vibraciones manteniendo adecuadamente la herramienta y sus accesorios, evitando tener las manos frías y organizando las secuencias de trabajo.

MONTAJE

Antes de cualquier manipulación en la herramienta eléctrica (p. ej. en su mantenimiento, cambio de accesorio, etc.), así como al transportarla o guardarla, coloca el selector de sentido de giro en posición central.

Existe el riesgo de accidente en caso de accionamiento fortuito del interruptor de conexión/desconexión.

CARGA DE LA BATERÍA

Carga del destornillador/taladro.

Cuando el cargador está conectado a la red eléctrica, se enciende el diodo rojo del destornillador/taladro. El diodo permanece encendido durante la carga de la batería (7).

En condiciones normales de uso, la herramienta puede recargarse cientos de veces.

ATENCIÓN: la batería se calienta durante la carga.

Nota: la batería que se suministra con la herramienta ha sido cargada parcialmente para las pruebas y se debe cargar por completo antes de usarla.

Lee primero las instrucciones de seguridad y después sigue las instrucciones de carga. Inserta el enchufe del transformador en la toma de la herramienta. Después conecta el transformador a la red eléctrica.

Comprueba que el cable no presente nudos ni pliegues.

El transformador del cargador y la batería han sido diseñados para utilizar juntos.

NUNCA utilices este cargador para recargar herramientas sin cable o baterías de otros fabricantes. La batería se descarga progresivamente a lo largo del tiempo, aunque no se utilice la herramienta.

Esta batería de ion-litio está protegida contra la descarga total, gracias a la tecnología "Electronic Cell Protection (ECP)" (Protección electrónica de celdas). Cuando la batería se vacía, la herramienta se detiene gracias a un circuito de protección: ningún elemento insertado puede girar.



ATENCIÓN: no continúes presionando el interruptor de conexión/desconexión después de que la herramienta se haya desconectado automáticamente. La batería podría dañarse .



ATENCIÓN: recarga la batería en superficies no inflamables y no superes las ocho horas de carga. El diodo rojo se transformará en verde cuando la batería esté completamente cargada.

Desconecta el cable y guarda el acumulador en un lugar adecuado cuando no la utilices.

No es aconsejable recargar la batería cuando la temperatura sea inferior a 0°.

Para retirar la batería de la herramienta, acciona el interruptor (5), hasta que la batería esté completamente descargada. Afloja los tornillos de la carcasa y retira la protección. Desconecta las conexiones de la batería y retírala (ver ilustración A).

INSTRUCCIONES DE USO

Uso de la herramienta

Nota: se pueden ver chispas por las aberturas de enfriamiento del motor. Es normal que aparezcan chispas con el motor en funcionamiento debido al frotamiento de los componentes en el interior del motor. Esto no afecta a la potencia de la herramienta. Sin embargo, recomendamos no utilizar la herramienta cerca de líquidos inflamables, de gas o polvo que las chispas podrían prender.

Montaje de brocas/puntas.

Antes de cualquier manipulación en la herramienta eléctrica (p.ej. en su mantenimiento, cambio de útil, etc.), así como al transportarla o guardarla, colocar en posición central el selector de sentido de giro. Podrías accidentarse en caso de un accionamiento fortuito del interruptor de conexión/desconexión. Regula el portabrocas hasta que la abertura sea ligeramente superior a la del par que quieres utilizar. Inserta el par en el portabrocas. Aprieta el portabrocas como se describe a continuación (portabrocas sin llave).

Regulación de la velocidad de rotación.

Se pueden regular las dos velocidades de rotación de 0 al máximo variando la presión ejercida sobre el selector. Esto te permite seleccionar la velocidad adecuada al trabajo a realizar. Utiliza la velocidad

a bajas revoluciones para apretar/aflojar tornillos (posición I en el selector de velocidad).

Selección de la velocidad de rotación

Utiliza una velocidad de rotación baja cuando realices trabajos de atornillar o perforar en metales, plástico o materiales cerámicos, que requieren un alto grado de torsión. Utiliza una velocidad de rotación alta cuando perfores madera (posición 2 del selector de velocidad (3)).

Invertir el sentido de la rotación

Puedes invertir el sentido de la rotación utilizando el selector del sentido de giro (4).

Para bloquear el selector, coloca el interruptor en la posición intermedia entre las dos opciones: derecha e izquierda.

Regulación del par de giro

Gira el regulador del par de giro (2) hasta la posición deseada. Las posiciones que van del 1 al 19 sirven para apretar/aflojar tornillos (cuanto mayor sea la cifra, mayor fuerza de torsión). Selecciona el símbolo del taladro antes de utilizar la herramienta para practicar orificios.

Portabrocas sin llave

Esta herramienta lleva un portabrocas sin llave, que permite apretar o aflojar fácilmente los accesorios del destornillador/taladro.

Para abrir/cerrar el portabrocas tira del anillo con firmeza (10) y haz pivotar la abrazadera delantera (11).



ATENCIÓN: RIESGO DE ATRAPAMIENTO

No sujetes la abrazadera del portabrocas

con una mano, al mismo tiempo que abres/cierras los dientes del portabrocas con ayuda del motor del destornillador/ taladro.

LIMPIEZA Y MANTENIMIENTO

Antes de cualquier manipulación en la herramienta eléctrica (p.ej. en su mantenimiento, cambio de útil, etc.), así como al transportarla o guardarla, coloca el selector de sentido de giro en posición central. Podrías accidentarte en caso de un accionamiento fortuito del gatillo.

Mantén limpia la herramienta y las rejillas de refrigeración para trabajar con eficacia y seguridad.

PROTECCIÓN DEL MEDIO AMBIENTE

Ayuda a proteger el medio ambiente Información (para particulares) relativa al tratamiento de residuos de equipos eléctricos y electrónicos (Directiva REEE).



El símbolo que aparece sobre los productos eléctricos y electrónicos y la documentación adjunta indican que estos productos no se pueden desechar junto con los residuos domésticos. Para un tratamiento, recuperación y reciclado adecuados deben llevarse a los puntos de recogida designados, donde se aceptan gratuitamente. En algunos países estos productos pueden llevarse a los puntos de venta cuando se compra un producto nuevo equivalente. Eliminando estos productos de forma adecuada, estás contribuyendo a economizar valiosos recursos naturales y a evitar los efectos

negativos sobre la salud y el medio ambiente que podrían causar la mala gestión y la retirada irresponsable de los residuos. Ponte en contacto con las autoridades pertinentes para informarte sobre el punto de recogida más cercano. No respetar la legislación local sobre la retirada de equipos eléctricos y electrónicos puede ser objeto de multa o sanción.

Eliminación de baterías o pilas

No arrojes las baterías o pilas a la basura, ni al fuego, ni al agua. Las baterías y pilas descargadas o vacías deben ser recogidas o eliminadas de acuerdo con la reglamentación local sobre el medio ambiente. No respetar esta normativa puede acarrear la imposición de multas.

Información sobre desecho para usuarios en empresas de países fuera de la Unión Europea



Este símbolo sólo es válido dentro de la Unión Europea. Ten la amabilidad de ponerte en contacto con las autoridades pertinentes o el vendedor en tu país para obtener información sobre el método correcto de desecho de este producto.