

# TÄNNFORSEN

## Bathroom series

### Design

Sarah Fager

### Safety

Must be secured to the wall for a safe installation. Different wall materials require different types of hardware. Use hardware suitable for the walls in your home, sold separately.

If you are uncertain about the installation, contact a professional. The installation shall be made in accordance with valid local building and plumbing regulations.

Secure that the walls in your bathroom can support the weight of the sink cabinet, and if not, then use legs.

### Care and cleaning

Wipe furniture clean with a cloth dampened in water or a non-abrasive detergent, then wipe dry with a clean cloth.

The sink and faucet should be wiped clean with a cloth dampened in water or a non-abrasive detergent.

Sinks in ceramic are resistant to most chemicals, except for strong acids and strong alkalis.

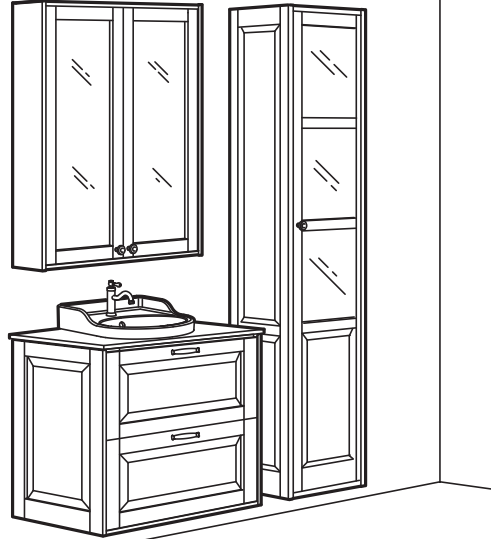
Sinks made of crushed marble should not come in contact with ammonia, acids, strong detergents, hair dye or chlorine.

10

The TÄNNFORSEN bathroom series has a 10-year limited warranty. Read more in the limited warranty brochure at [IKEA.us/warranty](https://www.ikea.us/warranty).

10

The bathroom sinks and faucets have a 10-year limited warranty. Read more in the limited warranty brochure at [IKEA.us/warranty](https://www.ikea.us/warranty).



### Timeless beautiful design

The TÄNNFORSEN family introduces timeless design combined with generous, modern comfort. Beautiful details and long-lasting quality make this graceful bathroom series a statement of your unique style. The crafted, traditional expression awaits the finishing touches with your personal choice of knobs, handles, countertop, sink, faucet and legs.

This family comes in a selection of light, classic finishes. Cabinets with soft-closing doors and drawers hide cluttering accessories, while glass doors showcase your beautiful bottles and decorative baskets.

The included suspension rail makes it easier to mount the cabinet on the wall and the unique wedge dowels make assembly easy and the fittings nearly invisible.

TÄNNFORSEN furniture will withstand years of splashes and humidity and we guarantee it.

A high standard of accuracy has been sought in the preparation of this buying guide. We apologize for, but will not be bound by or responsible for, errors and omissions in this buying guide.

Not all products may be available in all stores. See what is available at your local store by visiting [IKEA.us](https://www.ikea.us). For more detailed product information, see the price tag or visit [IKEA.us](https://www.ikea.us). All products shown require assembly. All textiles shown are imported.



# Content

How to plan .....	03
How to combine .....	04
How to choose.....	05
TÄNNFORSEN combinations.....	07
TÄNNFORSEN all the parts.....	15
Other furniture.....	16
Accessories .....	17
Sinks .....	17
Faucets .....	17
Sinks, watertraps .....	18
Lighting .....	19
Guidance and Services .....	20

# How to plan

## What do you want to store?

Start by thinking what storage needs do you have in your bathroom. Think of the activities that happen in your bathroom like laundry, shower, clean and care. How many people use the bathroom and when is the rush hour usually? Based on the activities and amount of people you can plan how many storage units that will best suit your needs.

Think about the wall space you have available for a sink cabinet and sink, since this is the center of most bathroom activities.

The TÄNNFORSEN series comprises sink cabinets of different sizes, wall cabinet and high cabinet.

The drawers in TÄNNFORSEN sink cabinet are smooth running and pull out fully so you can easily see and reach what's inside.

Pull-out stops prevent the drawers from being pulled out too far and falling, which is especially practical if you have children.

All doors and drawers are equipped with soft closing function which makes the mornings and evenings quiet.

The included fixed dividers that are perfect fit together with our organizers, VISSLÅN and BOLLÖSUND.

## Choose the expression

After you have decided on the size of the sink cabinet, you can choose between different colors and find the one that suits your style. The sink cabinets need to be mounted to the wall, and you have a choice to have it with or without supporting legs.

Next, choose a sink that fits your needs and space: single, double, semi-recessed or countertop. The sinks are made of ceramic or crushed marble. Ceramic sinks have a glazed finish and are easy to clean. They have excellent scratch resistance and are very durable. Crushed marble is comprised mainly of crushed minerals with binding agents. Crushed marble sinks are smooth, durable and easy to clean.

For ease of shopping, as each integrated and semi-recessed sink requires a water trap (sold separately), we've shown them as a part of each complete combination. The water trap comes with a flexible pipe. A pop-up plug is always included with the integrated and semi-recessed sinks. All countertop sinks comes with the water trap included.

If you choose a semi-recessed or countertop sink you need to combine a sink cabinet with the countertop. IKEA countertops have been developed with special attention to quality, so they are water resistant, durable and will last a long time. They come in different sizes that match the sink cabinets perfectly. Choose the look that suits you and your bathroom best.

You can find a wide selection of sink faucets at IKEA. Choose your faucet based on function and design. All faucets have a flow regulator that uses less water but ensures that the water flow feels the same.

Like putting icing on the cake - add knobs or handles to create the spot-on solution for your style and taste. These small details that make a big difference.

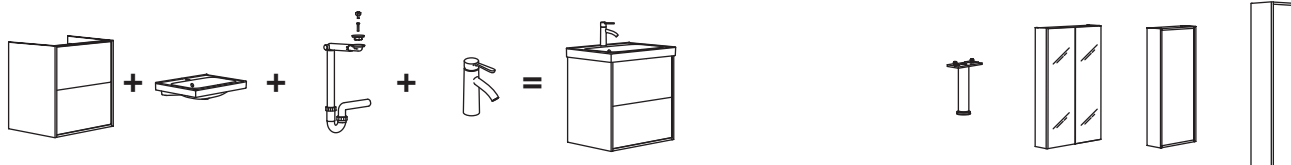
The last thing to decide is what to put above and around your sink: mirror, mirror cabinet, high cabinet or wall cabinet. The combination possibilities are endless. Make your choice based on your bathroom storage needs, space and style.

# How to combine

Here is a guide to explain how you can put together your very own TÄNNFORSEN bathroom solution. For all the parts and pieces see page 14. If you want to browse our ready-made solutions visit [IKEA.us](http://IKEA.us)

## Sink cabinet with integrated sink

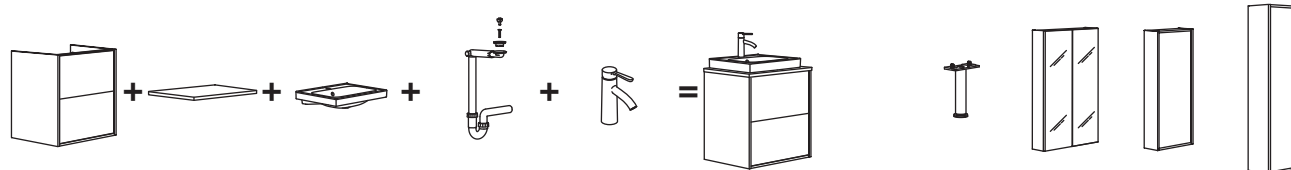
To build a sink cabinet with an integrated sink you need a sink cabinet, sink, water trap and faucet.



If you like the look of legs or are unsure how much weight your wall can hold, add legs at the front of each cabinet. Complete your bathroom solution with a mirror, mirror cabinet, wall cabinet or high cabinet – all according to your need.

## Sink cabinet with semi-recessed or countertop sink


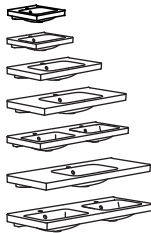



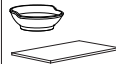

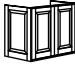






To build a sink cabinet with a semi-recessed or countertop sink\* you need a sink cabinet, countertop, sink, water trap and faucet.





If you like the look of legs or are unsure how much weight your wall can hold, add legs at the front of each cabinet. Complete your bathroom solution with a mirror, mirror cabinet, wall cabinet or high cabinet – all according to your need.

\*Countertop sinks have the water trap included.




# How to choose sink cabinet and sink



Sink cabinet width	ORRSJÖN sink with water trap	RUTSJÖN sink with water trap	RUTSJÖN semi-recessed sink Strainer and water trap included with sink. Add your choice of countertop.	ORRSJÖN deep sink Strainer and water trap included with sink. Add your choice of countertop.	VÄSTERSJÖN sink Strainer and water trap included with sink. Add your choice of countertop.
24" 	 <b>25×21¾"</b> 295.169.08	 <b>25¼×21⅞"</b> 195.170.22	 <b>20"</b> 495.170.25	 <b>25×21¾"</b> 295.169.13	 <b>15¾"</b> 195.745.93
24" 	<b>25×21¾"</b> 295.169.08	<b>25¼×21⅞"</b> 195.170.22	<b>20"</b> 495.170.25	N/A	<b>15¾"</b> 195.745.93
30" 	<b>31×21¾"</b> 895.169.05	<b>31⅝×21⅞"</b> 995.170.23	<b>20"</b> 495.170.25	N/A	<b>15¾"</b> 195.745.93
30" 	<b>31×21¾"</b> 895.169.05	<b>31⅝×21⅞"</b> 995.170.23	<b>20"</b> 495.170.25	N/A	<b>15¾"</b> 195.745.93
36" 	<b>37×21¾"</b> single 695.169.06 double 095.169.09	<b>37⅝×21⅞"</b> 795.170.24	<b>20"</b> 495.170.25	N/A	<b>15¾"</b> 195.745.93
48" 	<b>49×21¾"</b> single 495-169-07 double 895.169.10	N/A	<b>20"</b> 495.170.25	N/A	<b>15¾"</b> 195.745.93
48" 	<b>49×21¾"</b> double 895.169.10	N/A	<b>20"</b> 495.170.25	N/A	<b>15¾"</b> 195.745.93
48" 	<b>49×21¾"</b> double 895.169.10	N/A	<b>20"</b> 495.170.25	N/A	<b>15¾"</b> 195.745.93
48" 	<b>49×21¾"</b> double 895.169.10	N/A	<b>20"</b> 495.170.25	N/A	<b>15¾"</b> 195.745.93

# How to choose countertop sink and faucet

Semi-recessed and countertop sink	Regular faucet	Tall faucet
 <p><b>RUTSJÖN semi-recessed sink + countertop</b></p>	<p>804.233.50, 905.325.27, 305.325.49, 104.571.93, 805.327.16, 205.328.61, 305.331.53, 204.003.23, 705.332.74</p>	N/A
 <p><b>VÄSTERSJÖN countertop sink + countertop</b></p>	<p>905.325.27, 305.325.49, 104.571.93, 805.327.16, 205.328.61, 204.003.23, 705.332.74</p>	<p>005.320.94, 605.332.55</p>

# How to choose widespread and centerset sinks and faucets

Wide spread sink	Widespread faucet
 <p><b>ORRSJÖN widespread sink, semi-recessed</b></p>	<p>306.013.64, 006.044.39, 506.013.63</p>
 <p><b>ORRSJÖN widespread sink</b></p>	<p>306.013.64, 006.044.39, 506.013.63</p>
 <p><b>RUTSJÖN widespread sink</b></p>	<p>306.013.64, 006.044.39, 506.013.63</p>

Centerset sink	Center set faucet
 <p><b>ORRSJÖN double sink, center set</b></p>	<p>906.013.61, 706.013.62, 606.044.22, 006.008.32</p>
 <p><b>ORRSJÖN center set sink</b></p>	<p>906.013.61, 706.013.62, 606.044.22, 006.008.32</p>

## Bath faucet families

### Regular faucets

- BROGRUND
- DALSKÄR
- ENSEN
- GLYPEN
- HAMNSKÄR
- PILKÄN
- RUNSKÄR
- SALJEN
- VOXNAN

### Tall faucets

- BROGRUND
- VOXNAN

### Widespread faucet

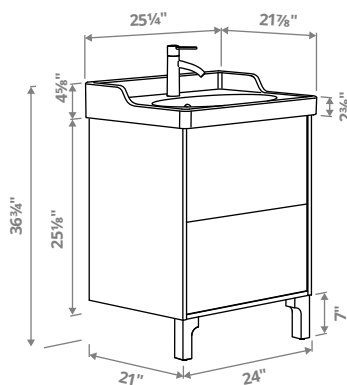
- MACKSJÖN

### Centerset faucet

- MACKSJÖN

# TÄNNFORSEN combinations

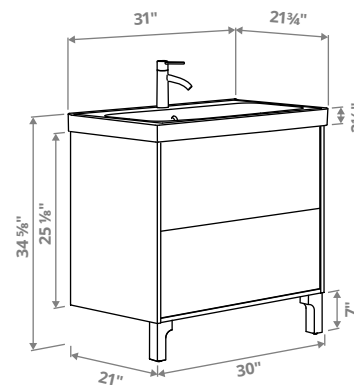
Width×Depth×Height. Knobs/handles are not included. Each combination below is shown with the DALSKÄR faucet. You have your choice of faucets on page 17.



## TÄNNFORSEN/RUTSJÖN Sink cabinet with drawers/sink/faucet, 25 1/4×21 7/8×36 3/4".

This combo has two spacious drawers and raised backsplash to reinforce the traditional appeal. Legs included.

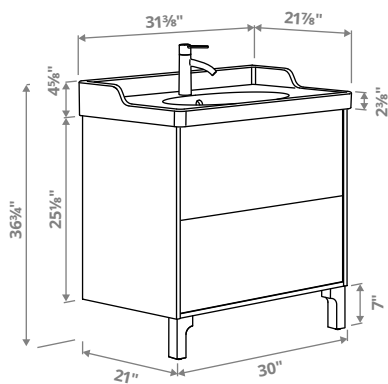
Light gray	095.306.94
White	295.306.93



## TÄNNFORSEN/ORRSJÖN Sink cabinet with drawers/sink/faucet, 31×21 3/4×34 5/8".

This combo has two spacious drawers and room on the sink for toothbrush and soap. Legs included.

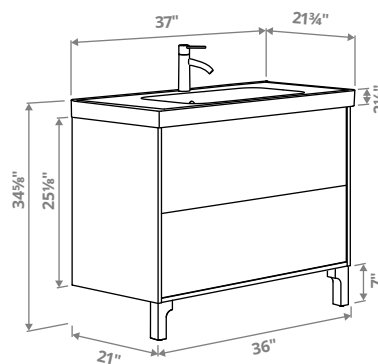
Light gray	195.307.21
White	395.307.20



## TÄNNFORSEN/RUTSJÖN Sink cabinet with drawers/sink/faucet, 31 3/8×21 7/8×36 3/4".

This combo has two spacious drawers and raised backsplash to reinforce the traditional appeal. Legs included.

Light gray	795.307.18
White	995.307.17



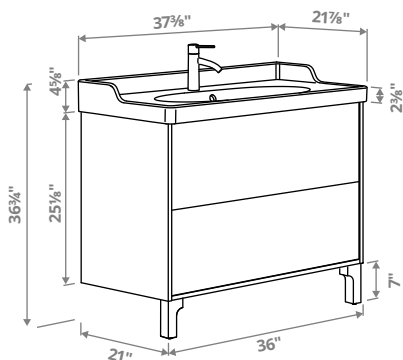
## TÄNNFORSEN/ORRSJÖN Sink cabinet with drawers/sink/faucet, 37×21 3/4×34 5/8".

This combo has two spacious drawers and room on the sink for toothbrush and soap. Legs included.

Light gray	495.307.53
White	695.307.52

# TÄNNFORSEN combinations

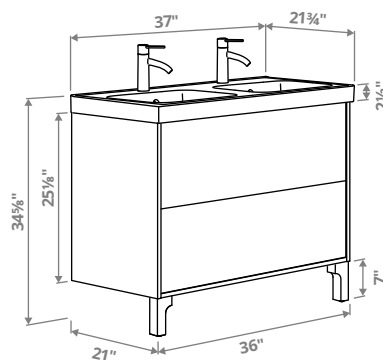
Width×Depth×Height. Knobs/handles are not included. Each combination below is shown with the DALSKÄR faucet. You have your choice of faucets on page 17.



## TÄNNFORSEN/RUTSJÖN Sink cabinet with drawers/sink/ faucet, 37<sup>3</sup>/<sub>8</sub>×21<sup>1</sup>/<sub>8</sub>×36<sup>3</sup>/<sub>4</sub>".

This combo has two spacious drawers and raised backsplash to reinforce the traditional appeal. Legs included.

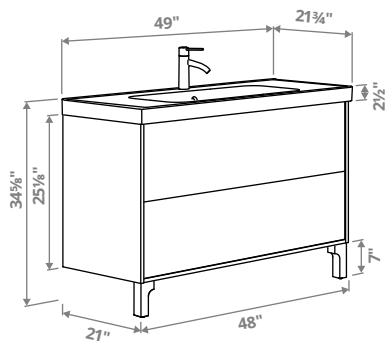
Light gray	895.307.51
White	095.307.50



## TÄNNFORSEN/ORRSJÖN Sink cabinet with drawers/sink/ faucets, 37×21<sup>3</sup>/<sub>4</sub>×34<sup>5</sup>/<sub>8</sub>".

This combo has two spacious drawers and a double sink that can handle the morning rush. Legs included.

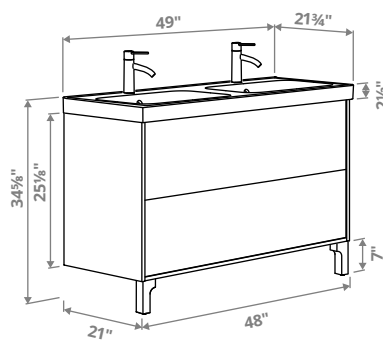
Light gray	595.307.38
White	795.307.37



## TÄNNFORSEN/ORRSJÖN Sink cabinet with drawers/sink/ faucet, 49×21<sup>3</sup>/<sub>4</sub>×34<sup>5</sup>/<sub>8</sub>".

This combo has two spacious drawers and room on the sink for toothbrush and soap. Legs included.

Light gray	195.307.64
White	395.307.63



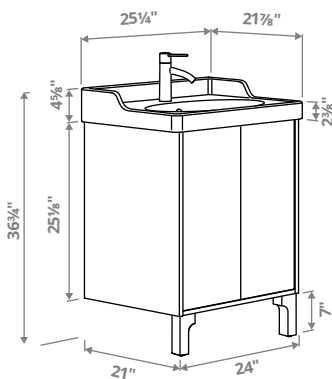
## TÄNNFORSEN/ORRSJÖN Sink cabinet with drawers/sink/ two faucets, 49×21<sup>3</sup>/<sub>4</sub>×34<sup>5</sup>/<sub>8</sub>".

This combo has two spacious drawers and a double sink that can handle the morning rush. Legs included.

Light gray	395.307.58
White	595.307.57

# TÄNNFORSEN combinations

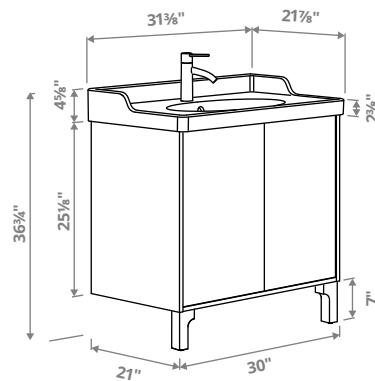
Width×Depth×Height. Knobs/handles are not included. Each combination below is shown with the DALSKÄR faucet. You have your choice of faucets on page 17.



## TÄNNFORSEN/RUTSJÖN Sink cabinet with doors/sink/faucet, 25 1/4×21 7/8×36 3/4".

This combo offers closed storage and a raised backsplash to reinforce the traditional appeal. Legs included.

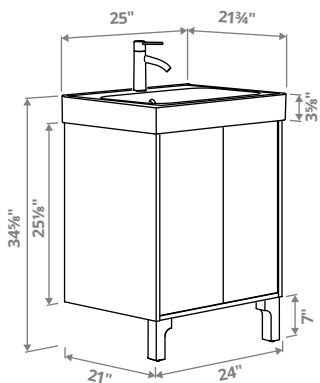
Light gray	995.306.99
White	195.306.98



## TÄNNFORSEN/RUTSJÖN Sink cabinet with doors/sink/faucet, 31 3/8×21 7/8×36 3/4".

This combo offers closed storage and a raised backsplash to reinforce the traditional appeal. Legs included.

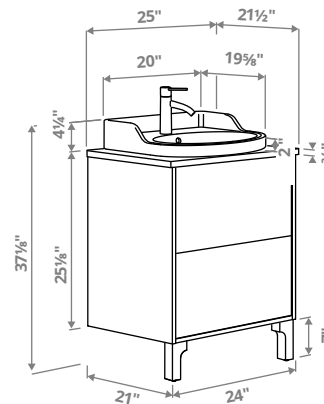
Light gray	095.307.26
White	295.307.25



## TÄNNFORSEN/ORRSJÖN Sink cabinet with doors/deep sink/faucet, 25×21 3/4×34 5/8".

This combo offers closed storage and a deep sink that prevents spilling on the floor. Legs included.

Light gray	795.307.04
White	995.307.03



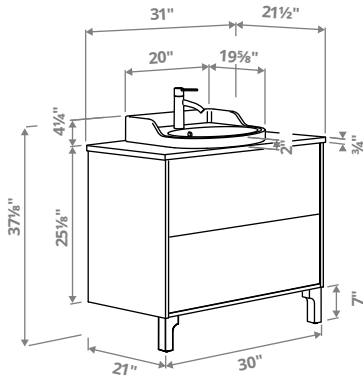
## TÄNNFORSEN/RUTSJÖN Sink cabinet with drawers/sink/faucet, 25×21 1/2×37 1/8".

This sink cabinet with semi-recessed sink and countertop creates a personal bathroom centerpiece with a crafted look. Legs included.

Light gray/Black marble effect	995.320.71
Light gray/Brown walnut effect	595.320.73
Light gray/White marble effect	395.320.69
White/Black marble effect effect	195.320.70
White/Brown walnut effect	795.320.72
White/White marble effect	695.320.63

# TÄNNFORSEN combinations

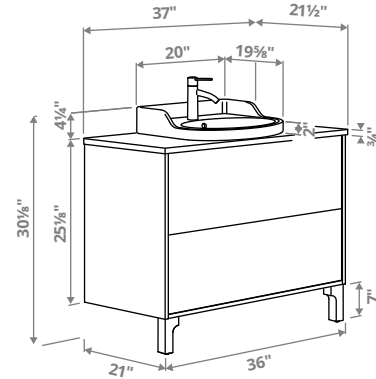
Width×Depth×Height. Knobs/handles are not included. Each combination below is shown with the DALSKÄR faucet. You have your choice of faucets on page 17.



## TÄNNFORSEN/RUTSJÖN Sink cabinet with drawers/sink/ faucet, 31×21½×37⅛".

This sink cabinet with semi-recessed sink and countertop creates a personal bathroom centerpiece with a crafted look. Legs included.

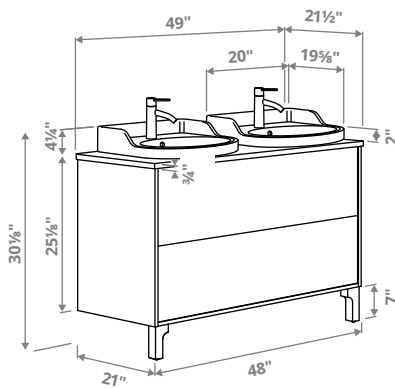
Light gray/Black marble effect	495.320.78
Light gray/Brown walnut effect	095.320.80
Light gray/White marble effect	095.320.75
White/Black marble effect effect	695.320.77
White/Brown walnut effect	295.320.79
White/White marble effect	395.320.74



## TÄNNFORSEN/RUTSJÖN Sink cabinet with drawers/sink/ faucet, 37×21½×30⅜".

This sink cabinet with semi-recessed sink and countertop creates a personal bathroom centerpiece with a crafted look. Legs included.

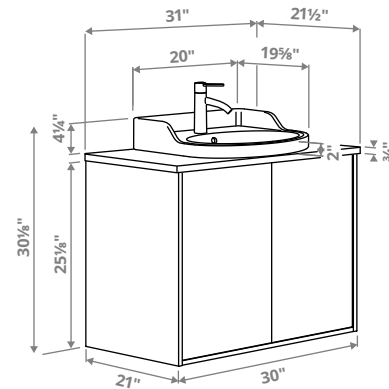
Light gray/Black marble effect	195.342.91
Light gray/Brown walnut effect	995.342.92
Light gray/White marble effect	395.342.90
White/Black marble effect effect	595.342.94
White/Brown walnut effect	295.342.95
White/White marble effect	795.342.93



## TÄNNFORSEN/RUTSJÖN Sink cabinet with drawers/sinks/ two faucets, 49×21½×30⅜".

This sink cabinet with two semi-recessed sinks and countertop creates a personal bathroom centerpiece with a crafted look. Legs included.

Light gray/Black marble effect	395.342.85
Light gray/Brown walnut effect	995.342.87
Light gray/White marble effect	695.342.84
White/Black marble effect effect	195.342.86
White/Brown walnut effect	795.342.88
White/White marble effect	895.342.83



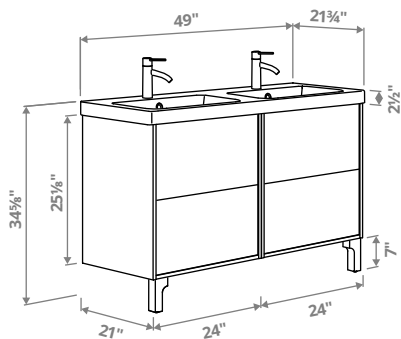
## TÄNNFORSEN/RUTSJÖN Sink cabinet with doors/sink/ faucet, 31×21½×30⅜".

This sink cabinet with doors, semi-recessed sink and countertop creates a personal centerpiece with a crafted look.

Light gray/Black marble effect	795.341.32
Light gray/Brown walnut effect	495.341.38
Light gray/White marble effect	295.340.35
White/Black marble effect effect	595.341.33
White/Brown walnut effect	295.341.39
White/White marble effect	595.340.34

# TÄNNFORSEN combinations

Width×Depth×Height. Knobs/handles are not included. Each combination below is shown with the DALSKÄR faucet. You have your choice of faucets on page 17.



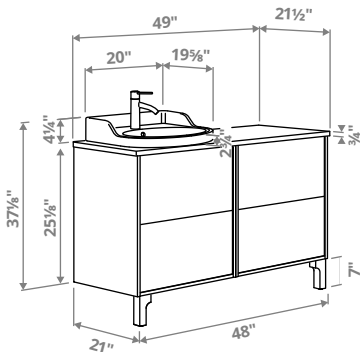
## TÄNNFORSEN/ORRSJÖN Sink cabinet/sink/faucets, 49×21<sup>3</sup>/<sub>4</sub>×34<sup>5</sup>/<sub>8</sub>".

What do you get when you combine two of everything? Generous storage space and double the washing space! A brilliant solution with plenty of space for two or more to get ready in the morning. Legs included.

Light gray	595.357.45
White	895.357.44

# TÄNNFORSEN combinations

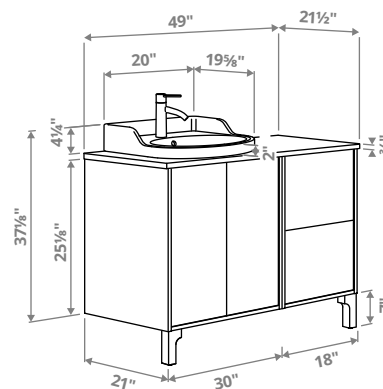
Width×Depth×Height. Knobs/handles are not included. Each combination below is shown with the DALSKÄR faucet. You have your choice of faucets on page 17.



## TÄNNFORSEN/RUTSJÖN Sink cabinet/sink/faucet, 49×21½×37⅞"

In a shared bathroom, this solution offers your own private drawer – or two. The sink is paired with a roomy countertop where you can place things while getting ready for the day ahead. Legs included.

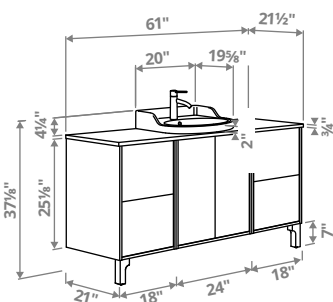
Light gray/Black marble effect	195.357.85
Light gray/Brown walnut effect	995.357.86
Light gray/White marble effect	795.357.87
White/Black marble effect effect	395.357.89
White/Brown walnut effect	195.357.90
White/White marble effect	595.357.88



## TÄNNFORSEN/RUTSJÖN Sink cabinet/sink/faucet, 49×21½×37⅞"

A lifesaver for multiple storage needs – larger items go in the cabinets and other items in the drawers. Bathroom moments are best shared with two sinks and counterspace in the middle. Legs included.

Light gray/Black marble effect	695.357.83
Light gray/Brown walnut effect	495.357.84
Light gray/White marble effect	895.357.82
White/Black marble effect effect	695.357.64
White/Brown walnut effect	395.357.65
White/White marble effect	895.357.63



## TÄNNFORSEN/RUTSJÖN Sink cabinet/sink/faucet, 61×21½×30" without legs, 61×21½×37⅞" with legs.

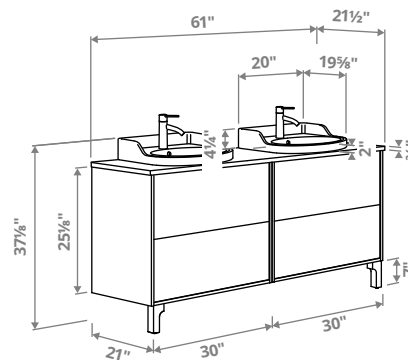
Some things are better stored in cabinets and other things go better in drawers so they don't disappear. This solution gives you both possibilities combined with a countertop and a stylish sink.

### Without legs

Light gray/Black marble effect	995.358.85
Light gray/White marble effect	795.358.86
White/Black marble effect effect	195.358.89
White/White marble effect	395.358.88

### With legs

Light gray/Brown walnut effect	595.358.87
White/Brown walnut effect	995.358.90



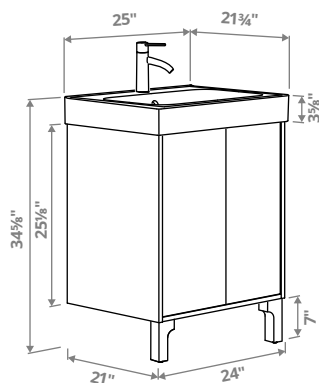
## TÄNNFORSEN/RUTSJÖN Sink cabinet/sinks/two faucets, 61×21½×37⅞"

Your own personal space in a shared space. A balanced solution with plenty of drawers for each and every need and two sinks that work in unison to ensure everyone gets their teeth brushed in time. Legs included.

Light gray/Black marble effect	795.359.47
Light gray/White marble effect	595.359.48
White/Brown walnut effect	395.359.49
White/White marble effect	995.359.51

# TÄNNFORSEN widespread and center set combinations

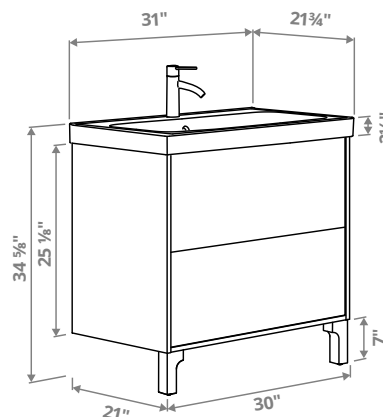
Width×Depth×Height. Knobs/handles are sold separately. Each combination drawn below is shown with the DALSKÄR faucet for visual representation. Combinations below use widespread or center set sinks and faucets. You have your choice of MACKSJÖN widespread or center set faucets on page 17.



## TÄNNFORSEN/ORRSJÖN Sink cabinet with doors/sink/ faucet, 25×21¼×34⅝".

A truly classic look in white or light gray, enhanced by beautiful beveled panels. Choose a widespread or center set faucet. Complete the look with your choice of knobs/handles. Legs included.

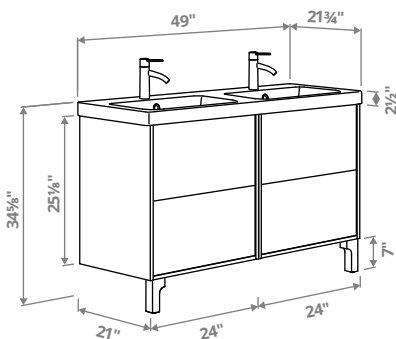
	Widespread	Center set
Light gray	195.900.98	*
White	*	395.900.97



## TÄNNFORSEN/ORRSJÖN Sink cabinet/widespread sink/ widespread faucet, 31×21¼×34⅝".

A truly classic look in white or light gray, enhanced by beautiful beveled panels. Choose the right size to create the perfect solution that fits your needs. Choose a widespread or center set faucet. Complete the look with your choice of knobs/handles. Legs included.

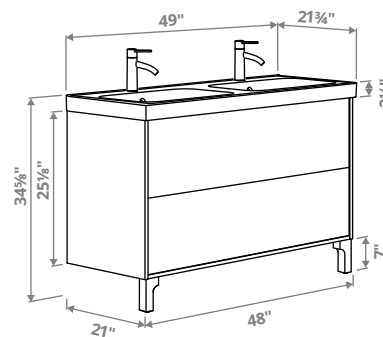
	Widespread	Center set
Light gray	895.901.08	*
White	095.901.07	*



## TÄNNFORSEN/ORRSJÖN Sink cabinet/center set sink/center set faucets, 49×21¼×34⅝".

What do you get when you combine two of everything? Generous storage space and double the washing space! A brilliant solution with plenty of space for two or more to get ready in the morning. A truly classic look in white or light gray, enhanced by beautiful beveled panels. Choose a widespread or center set faucet. Complete the look with your choice of knobs/handles. Legs included.

	Center set
Light gray	195.901.21
White	395.901.20



## TÄNNFORSEN/ORRSJÖN Sink cabinet with drawers/sink/ two faucets, 49×21¼×34⅝".

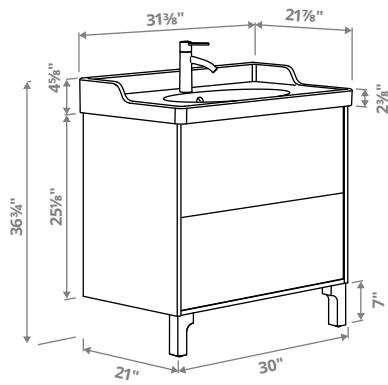
This combo has two spacious drawers and a double sink that can handle the morning rush. Choose a widespread or center set faucet. Complete the look with your choice of knobs/handles. Legs included.

	Widespread	Center set
Light gray	*	595.901.19
White	*	795.901.18

\*Please see an IKEA coworker for the parts need to build this combination.

# TÄNNFORSEN widespread and center set combinations

Width×Depth×Height. Knobs/handles are sold separately. Each combination drawn below is shown with the DALSKÄR faucet for visual representation. Combinations below use widespread or center set sinks and faucets. You have your choice of MACKSJÖN widespread or center set faucets on page 17.



## TÄNNFORSEN/RUTSJÖN Sink cabinet with drawers/sink/ faucet, 31 3/8×21 1/8×36 3/4".

A truly classic look in white or light gray, enhanced by beautiful beveled panels. Choose a widespread or center set faucet. Complete the look with your choice of knobs/handles. Legs included.

	Widespread	Center set
Light gray	295.901.06	*
White	495.901.05	*

\*Please see an IKEA coworker for the parts need to build this combination.

# TÄNNFORSEN all the parts

Width×Depth×Height. Knobs/handles are not included. Hinges and drawers comes with integrated dampers.



**TÄNNFORSEN Sink cabinet, 24×21×25½"**. Closed storage with capacity for bulkier or taller items, like bottles and baskets, keeping them dust-free and out of sight. Two legs can be added, sold separately. See page 15.

Light gray	705.354.66
White	605.354.62



**TÄNNFORSEN Sink cabinet, 30×21×25½"**. Closed storage with capacity for bulkier or taller items, like bottles and baskets, keeping them dust-free and out of sight. Two legs can be added, sold separately. See page 15.

Light gray	105.354.74
White	105.354.69



**TÄNNFORSEN Sink cabinet with drawers, 18×21×25½"**. Generous, full drawer storage capacity for all your essentials as piping is led through the back and not via a cut-out in the drawers. Two legs can be added, sold separately. See page 15.

Light gray	205.354.35
White	905.354.32



**TÄNNFORSEN Sink cabinet with drawers, 24×21×25½"**. Generous, full drawer storage capacity for all your essentials as piping is led through the back and not via a cut-out in the drawers. Two legs can be added, sold separately. See page 15.

Light gray	005.354.41
White	605.354.38



**TÄNNFORSEN Sink cabinet with drawers, 30×21×25½"**. Generous, full drawer storage capacity for all your essentials as piping is led through the back and not via a cut-out in the drawers. Two legs can be added, sold separately. See page 15.

Light gray	705.354.47
White	405.354.44



**TÄNNFORSEN Sink cabinet with drawers, 36×21×25½"**. Generous, full drawer storage capacity for all your essentials as piping is led through the back and not via a cut-out in the drawers. Two legs can be added, sold separately. See page 15.

Light gray	505.354.53
White	105.354.50



**TÄNNFORSEN Sink cabinet with drawers, 48×21×25½"**. Generous, full drawer storage capacity for all your essentials as piping is led through the back and not via a cut-out in the drawers. Two legs can be added, sold separately. See page 15.

Light gray	205.354.59
White	805.354.56



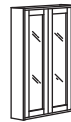
**TÄNNFORSEN High cabinet, 18×15×77"**. Generous storage on a narrow space that keeps towels, blow dryer and other bathroom essentials dust-free and out of sight. Two legs can be added, sold separately. See page 15.

Light gray	505.354.29
White	105.354.26



**TÄNNFORSEN Wall cabinet, 18×6×37"**. This shallow wall cabinet with adjustable shelves provides a good overview of all your things.

Light gray	805.354.23
White	405.354.20



**TÄNNFORSEN Mirror cabinet, 24×6×37"**. This shallow mirror cabinet helps you get ready for the day ahead and takes up little space.

Light gray	305.354.87
White	005.354.84



**TÄNNFORSEN mirror cabinet, 30×6×37"**. This shallow mirror cabinet helps you get ready for the day ahead and takes up little space.

Light gray	105.354.93
White	705.354.90



**TÄNNFORSEN Mirror cabinet, 36×6×37"**. This shallow mirror cabinet helps you get ready for the day ahead and takes up little space.

Light gray	705.552.56
White	605.552.52

# Other furniture

Width×Depth×Height. Hinges and drawers comes with integrated dampers.



**HAGAÅN Open cabinet**, 18×21×13". There is a concealed space for piping in the back of the cabinet.

Brown oak effect	805.355.31
Oak effect	905.355.21



**HAGAÅN Open cabinet**, 18×21×25½". There is a concealed space for piping in the back of the cabinet. Two legs can be added, sold separately. See page 15.

Brown oak effect	905.355.35
Oak effect	605.355.13



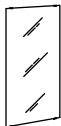
**HAGAÅN Wall open cabinet**, 18×6×37". This shallow wall cabinet with shelves provides a good overview of all your things and puts often-used items within easy reach.

Brown oak effect	105.355.39
Oak effect	005.355.25



**LETTAN Mirror cabinet** Mirrored door and sides on the inside and outside enable viewing from different angles. White

24×6×37"	805.354.99
30×6×37"	905.355.02
36×6×37"	205.355.05



**LETTAN Mirror** Fittings are adjustable in depth, give space for lighting cords. Can be hung horizontally or vertically.

24×37"	805.523.23
30×37"	605.523.24
36×37"	305.523.30
48×37"	905.523.32



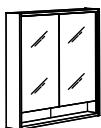
**FAXÅLVEN Mirror cabinet with built-in lighting**, 24×6×37". Integrated lighting around the outside and the inside. Dimmable with RODRET wireless dimmer/power switch, sold separately. See page 18.

Brown oak effect	995.168.20
Oak effect	395.168.23
White	695.168.26



**FAXÅLVEN Mirror cabinet with built-in lighting**, 30×6×37". Integrated lighting around the outside and the inside. Dimmable with RODRET wireless dimmer/power switch, sold separately. See page 18.

Brown oak effect	795.168.21
Oak effect	195.168.24
White	495.168.27



**FAXÅLVEN Mirror cabinet with built-in lighting**, 36×6×37". Integrated lighting around the outside and the inside. Dimmable with RODRET wireless dimmer/power switch, sold separately. See page 18.

Brown oak effect	595.168.22
Oak effect	895.168.25
White	295.168.28



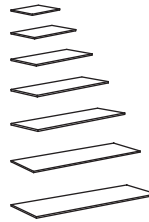
**FAXÅLVEN Mirror with built-in lighting** Light inside the metal frame around the mirror. Dimmable with RODRET wireless dimmer/power switch, sold separately. White

24×37"	595.167.75
30×37"	395.167.76



**FAXÅLVEN Mirror with built-in lighting** Lighting all around the mirror and one light source on the mirror. Dimmable with RODRET wireless dimmer/power switch, sold separately. See page 18.

31½"	195.167.77
39¾"	995.167.78



**TOLKEN Countertop** Foil finish. Thickness ¾". Countertops in foil create a clean and modern look that also harmonizes in more traditional bathrooms.

### White marble effect

25×21½"	205.553.86
31×21½"	405.553.85
37×21½"	705.553.84
49×21½"	805.553.88
61×21½"	905.553.83
67×21½"	005.553.87

### Black marble effect

25×21½"	105.553.82
31×21½"	305.553.81
37×21½"	505.553.80
49×21½"	905.553.78
61×21½"	705.553.79
67×21½"	105.553.77

### Gray stone effect

25×21½"	205.551.07
31×21½"	405.551.06
37×21½"	605.551.05
49×21½"	805.551.09

**TOLKEN Countertop** Laminate. Thickness ¾". Laminate countertops create bold look that feels warm and inviting.

### Brown walnut effect

25×21½"	805.683.24
31×21½"	505.683.25
37×21½"	305.683.26
49×21½"	105.683.27
61×21½"	905.683.28
67×21½"	705.683.34

**ÅLSKEN Countertop** Thick veneer. Thickness ¾". Countertops in thick veneer are made with a thick layer of wood veneer, each with unique grain patterns.

### Bamboo

25×21½"	805.551.47
31×21½"	705.551.43
37×21½"	505.551.44
49×21½"	205.551.45

### ALMAÅN Legs

Adjustable height 4¾-7¾".

Stainless steel	205.349.16	<b>2pk</b>
-----------------	------------	------------

### ALMAÅN Legs

Height 4½". Painted solid beech.

Light gray	705.355.41	<b>2pk</b>
White	905.355.40	<b>2pk</b>

### ALMAÅN Legs

Height 7". Painted solid beech.

Light gray	305.351.33	<b>2pk</b>
White	505.351.32	<b>2pk</b>



# Accessories



**VISSLAÅN Box with compartments**, 12¾×12¼×3¼".  
Small compartments practical for sorting items like hair accessories and jewelry.

Gray 005.621.04



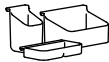
**VISSLAÅN Boxes with lids** Includes: one box (8×8×3½"), one box (8×4×3½") and three boxes (4×4×3½").

Gray 905.545.38 **set of 5**



**VISSLAÅN Drawer organizer**, 13¾×4¼×1".

Gray 405.621.16



**VISSLAÅN Drawer organizers**

Includes: one tray, (6⅞×3½×1"), one bottle holder (6½×4⅜×3½") and one toothbrush holder (2¾×3⅜×4½").

Gray 205.621.17 **set of 3**



**BOLLÖSUND Drawer organizers**

Beige 205.708.86 **set of 4**



**BOLLÖSUND Toiletry bag**

Beige 005.708.87

# Widespread and Center Set Sinks and Faucets

Width×Depth. RÄNNILEN water trap included, but sold and packaged separately.

## Widespread: All The Parts



**ORRSJÖN Semi-recessed sink, widespread**

For use with 8" widespread bathroom faucet. Fits in HAVBÄCK, ÄNGSJÖN, TÄNNFORSEN and HEMNES bathroom sink cabinets. Includes polished stainless steel sink pop-up plug. Water trap sold separately. White ceramic. Height 2½".

W20×D19⅞" 306.054.42



**ORRSJÖN Sink, widespread**

For use with 8" widespread bathroom faucet. Fits in HAVBÄCK, ÄNGSJÖN, TÄNNFORSEN and HEMNES bathroom sink cabinets. Includes polished stainless steel sink pop-up plug. Water trap sold separately. White ceramic. Height 2½".

W31×D21¾" 706.054.40



**RUTSJÖN Side, widespread** Integrated ceramic sink with raised backsplash For use with 8" widespread bathroom faucet. Fits in HAVBÄCK and TÄNNFORSEN bathroom sink cabinets. Includes polished stainless steel sink pop-up plug. Water trap sold separately. White ceramic. H4⅜".

W31⅞×D21⅞" 106.054.43



**MACKSJÖN Widespread sink faucet** Fits sinks with pre-drilled 8" hole spread. Built-in pressure-compensating aerator provides a clean and streamlined water flow that helps save water and energy. Durable ceramic disc valves in the handles secure long-lasting usage. Spout: Stainless steel. Handle: Chrome-plated zinc. Height 8¾".

Black 306.013.64

Chrome-plated 506.013.63

Brushed nickel 006.044.39

## Center Set: All The Parts



**ORRSJÖN Double sink, center set**

For use with two 4" center set bathroom faucets. Fits in HAVBÄCK, ÄNGSJÖN, TÄNNFORSEN and HEMNES bathroom sink cabinets. Includes polished stainless steel sink pop-up plug. Water trap sold separately. White ceramic. Height 2½".

W49×D21¾" 506.054.41



**ORRSJÖN Sink, center set**

For use with 4" center set bathroom faucet. Fits in HAVBÄCK, ÄNGSJÖN, TÄNNFORSEN and HEMNES bathroom sink cabinets. Includes polished stainless steel sink pop-up plug. Water trap sold separately. White ceramic. Height 2½".

W25×D21¾" 106.060.32



**MACKSJÖN Center set sink faucet** Fits sinks with pre-drilled 4" hole spread. Built-in pressure-compensating aerator provides a clean and streamlined water flow that helps save water and energy. Durable ceramic disc valves in the handles secure long-lasting usage. Spout: Stainless steel. Handle: Chrome-plated zinc. Height 9".

Black 906.013.61

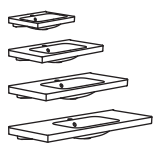
Brass-color 706.013.62

Chrome-plated 006.008.32

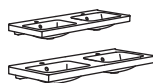
Brushed nickel 606.044.22

# Sinks

Width×Depth. RÄNNILEN water trap included, but sold and packaged separately.



<b>ORRSJÖN Sink</b> White ceramic. Height 2½".		
25×21¾"		295.169.08
31×21¾"		895.169.05
37×21¾"		695.169.06
49×21¾"		495.169.07



<b>ORRSJÖN Double sink</b> White ceramic. Height 2½".		
37×21¾"		095.169.09
49×21¾"		895.169.10



<b>ORRSJÖN Deep sink</b> White ceramic. Height 3¾". Can only be used together with sink cabinet with doors.		
25×21¾"		295.169.13



<b>RUTSJÖN Sink</b> White ceramic. Height 4¾".		
25¼×21⅞"		195.170.22
31⅞×21⅞"		995.170.23
37⅞×21⅞"		795.170.24

## Semi-recessed sink



<b>RUTSJÖN Semi-recessed sink</b> White ceramic. To be completed with a countertop. Height 4¾".		
20×19¾"		495.170.25

## Faucets



<b>SALJEN Sink faucet</b> Plastic. Height 4¾".		
Black		204.003.23



<b>PILKÄN Sink faucet</b> Brass. Height 3¾".		
Chrome-plated		205.328.61



<b>ENSEN Sink faucet</b> Brass. Height 4¾".		
Chrome-plated		305.325.49



<b>DALSKÄR Sink faucet</b> Brass. Height 7¾".		
Chrome-plated		905.325.27



<b>BROGRUND Sink faucet with sensor</b> Brass. Height 5¾".		
Chrome-plated		804.233.50

## Countertop sinks



<b>VÄSTERSJÖN Countertop sink</b> White ceramic. To be completed with a countertop. Height 5½".		
Ø15¾"		195.745.93

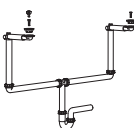
## Water traps

Included with all sinks shown above, but sold and packaged separately.



**RÄNNILEN Water trap, 1-bowl** Fits all IKEA single bowl semi-recessed and integrated sinks. Fits Ø1½" and 1¾" outlets, both in wall and floor. RÄNNILEN water trap is designed to fit inside a cabinet and still allow space for a full-sized drawer. It's easy to remove for cleaning and just as easy to replace.

For 1-bowl sink	504.224.13
-----------------	------------



**RÄNNILEN Water trap, 2-bowls** Fits Ø1½" and 1¾" outlets, both in wall and floor. RÄNNILEN water trap is designed to fit inside a cabinet and still allow space for a full-sized drawer. It's easy to remove for cleaning and just as easy to replace.

For 2-bowl sinks	205.624.38
------------------	------------



<b>BROGRUND Sink faucet, tall</b> Brass. Height 11".		
Chrome-plated		005.320.94



<b>RUNSKÄR Sink faucet</b> Brass. Height 3¾".		
Chrome-plated		305.331.53



<b>HAMNSKÄR Sink faucet</b> Brass. Height 7¾".		
Chrome-plated		805.327.16



<b>VOXNAN Sink faucet, tall</b> Brass. Height 11¾".		
Chrome-plated		605.332.55

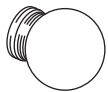
# Lighting for TÄNNFORSEN

## Ceiling, wall and cabinet lighting



**FRIHULT Ceiling lamp** The glass shade provides balanced general lighting throughout the room. Light bulb sold separately. IKEA recommends LED bulb E12 chandelier opal white. Ø5¾, H9¾".

Stainless steel 304.316.49



**FRIHULT Ceiling/wall lamp** The glass shade provides balanced general lighting throughout the room. Light bulb sold separately. IKEA recommends LED bulb E12 chandelier opal white. Ø6¼, H7½".

Stainless steel 704.316.14



**FRIHULT Wall lamp** A versatile lamp that can be mounted facing upwards or downwards, on its own above the mirror or as a pair with one on each side. Light bulb sold separately. IKEA recommends LED bulb E12 chandelier opal white. Ø5½, W9×H11".

Stainless steel 704.316.28



**VÄTHULT LED cabinet/mirror light** Can be placed above a mirror or on top of a mirror cabinet to get a good, glare-free light. L14".

Aluminum-color 404.675.53



**FLASKPOST LED cabinet lighting** LED lighting with a slim, minimalist design and an adjustable lamp head gives you good, glare-free light when applying make-up or shaving. Perfect to put on a cabinet or the wall above the bathroom mirror. Chrome-plated

22" 305.910.44

32" 605.915.37



**HAVSDUN LED wall lamp, dimmable** Can be placed on its own above a mirror or as a pair with one lamp on each side. The frosted glass shade spreads a soft light that you can dim. W4×D5×H10".

White/frosted glass 204.992.58



**LEDSJÖ LED wall lamp** Stainless steel. Can be placed on one or both sides of a mirror to get a good, glare-free light.

24" 703.286.26



**BILRESA Remote control, smart** This remote control has dual buttons to make it easier to operate your smart products. Based on the universal standard, Matter, you can manage your smart light sources with a touch of a button.

White 806.178.76



**LADDA Rechargeable batteries** Reduce waste and save money by recharging your batteries. Charging and reusing batteries is a good choice for the environment and practical too since you always have batteries at hand when you need them.

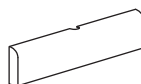
AA 2450mAh HR06 1.2V 505.046.92 4pk

AAA 750mAh HR03 1.2V 905.098.19 4pk



**STENKOL Battery charger** Four individual charging channels allow you to charge one or up to four batteries at a time. Suitable both for AA and AAA rechargeable NiMH batteries. Turns off automatically when the batteries are fully charged, defective or too warm.

Gray-green 505.065.25



**SILVERGLANS Driver 30W.** Wireless control. Approved for use in the bathroom.

White 504.748.26

## Drawer lighting



**KÖLVATTEN LED lighting strip with sensor** The lighting's passive infrared sensor (PIR) reacts to body movements and heat and automatically turns the light on when you open the door or drawer. You can even choose to switch on/off manually. Batteries are sold separately. IKEA recommends LADDA rechargeable 2450 mAh HR6 AA 1.2V batteries. Easy to charge. You just remove the lighting, charge the batteries with a USB-C cable and click it back in place.

White

12" (requires 2-AA batteries) 705.653.40

20" (requires 3-AA batteries) 305.719.51

28" (requires 4-AA batteries) 505.719.74

Gray

12" (requires 2-AA batteries) 705.991.37

20" (requires 3-AA batteries) 705.991.40

28" (requires 4-AA batteries) 705.991.42

# Guidance

Enjoy fast and easy guidance on the way to your new IKEA bathroom. Below you find brochures and tools that will assist you in every step of the journey. All materials are available at your local IKEA store or online at [IKEA.us](https://www.ikea.us)

## Bathroom brochure

A brochure full of inspirational pictures of bathrooms in all styles and sizes. Here you'll find everything from full-sized bathrooms to all those little extras that make everyday life in the bathroom easier and more fun. View online at [IKEA.us/brochure](https://www.ikea.us/brochure)

## IKEA.com

On our webpage you'll find lots of inspiration and ideas to get the most out of your TÄNNFORSEN bathroom, whether it's a new one or an old that you want to freshen up. Plus, here you'll find all products that you can imagine to personalize and create the bathroom of your dreams.

## Bathroom installation guide

Our bathroom installation guide gives you tips and step-by-step instructions on how to install your bathroom on your own. Visit [IKEA.us/buyingguide](https://www.ikea.us/buyingguide) to see the bathroom installation guide.

Just remember, you can do it all by yourself, but you don't have to. Read more about our services [IKEA.us/services](https://www.ikea.us/services).

## IKEA Bathroom Planner

Create your TÄNNFORSEN bathroom from the ground up in a 3D environment where you will get a price for every unit and for the complete bathroom. You can print out drawings and product lists at home, or save them to the IKEA web site. At your local IKEA store, you can discuss your design with one of our bathroom experts for further advice and support. Learn more at [IKEA.us/bathroomplanner](https://www.ikea.us/bathroomplanner). Enjoy fast and easy guidance on the way to your new IKEA Bathroom. Below you find brochures and tools that will assist you in every step of the journey. All materials are available at your local IKEA store or online at [IKEA.us](https://www.ikea.us).

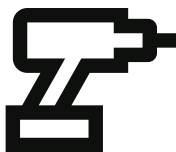
# Services

We offer a range of services to help you with everything from putting it together to getting it home. Of course, the more you do yourself, the lower the price will be. And the more we do for you, the more you can sit back and relax!



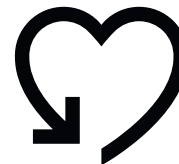
### Delivery service

Whether you're shopping in the store or online, and no matter how big the purchase, we can help do the heavy lifting and arrange delivery, by an Independent Service Provider, to your home or business. Visit [IKEA.us/services](https://www.ikea.us/services) for details.



### TaskRabbit Assembly service

All IKEA products are designed to be assembled by you, but you don't have to. We've partnered with TaskRabbit to connect you with a network of independent 'Taskers' who can provide quick and convenient assembly and mounting services for your IKEA purchases made online and in stores. You can schedule assembly service for as soon as the same day, with the Tasker of your choice. Visit [TaskRabbit.com/IKEA](https://www.TaskRabbit.com/IKEA) or see a co-worker for more details.



### It's ok to change your mind

You have 365 days to return your purchase. Keep your receipt safe to make returns easier. You're free to change your mind. Return unused items in their original packaging within 365 days together with proof of purchase for a full refund. Visit [IKEA.us/returns](https://www.ikea.us/returns) for details.