

# HAVBÄCK

## Bathroom series

### Design

Sarah Fager

### Safety

Must be secured to the wall for a safe installation. Different wall materials require different types of fixing devices. Use fixing devices suitable for the walls in your home, sold separately.

If you are uncertain about the installation, contact a professional. The installation shall be made in accordance with valid local building and plumbing regulations.

Secure that the walls in your bathroom can support the weight of the sink cabinet, and if not, then use legs.

### Care and cleaning

Wipe furniture clean with a cloth dampened in water or a non-abrasive detergent, then wipe dry with a clean cloth.

The sink and faucet should be wiped clean with a cloth dampened in water or a non-abrasive detergent.

Sinks in ceramic are resistant to most chemicals, except for strong acids and strong alkalis.

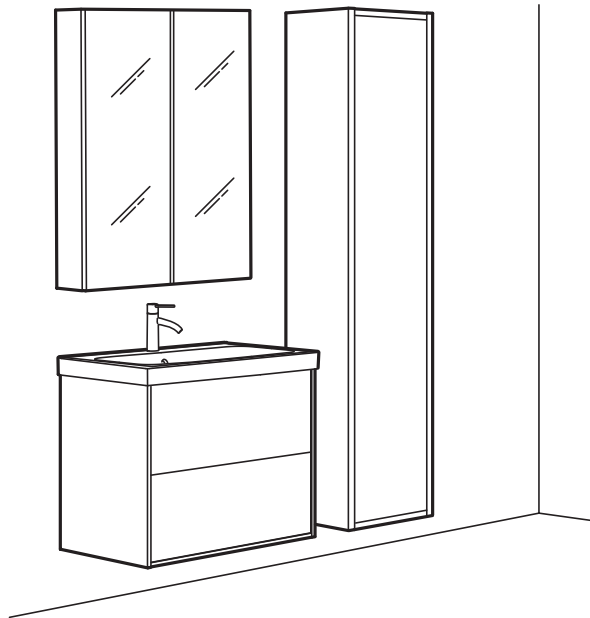
Sinks made of crushed marble should not come in contact with ammonia, acids, strong detergents, hair dye or chlorine.

10

HAVBÄCK bathroom series has a 10-year limited warranty. Read more in the limited warranty brochure at [IKEA.us/warranty](http://IKEA.us/warranty).

10

The bathroom sinks and faucets have a 10-year limited warranty. Read more in the limited warranty brochure at [IKEA.us/warranty](http://IKEA.us/warranty).



### Beautiful in its simplicity

The HAVBÄCK family is created for people who value the sense of calm that comes with simple, uncomplicated design and function. The clean, straightforward expression serves as the base, just add your choice of knobs, handles, countertop, sink, faucet and legs to create the spot-on solution for your style and taste.

Storing is effortless in cabinets that can be customized for a wide range of needs. Soft-closing doors and drawers enhance the feeling of quality and ease. With everything organized and neatly tucked away, you and your family can breeze through your morning routines. If you are sharing your bathroom with others, take a look at our double sinks and faucets that save you both time and precious water.

The included suspension rail makes it easier to mount the cabinet on the wall and the unique wedge dowels make assembly easy and the fittings nearly invisible.

HAVBÄCK furniture will withstand years of splashes and humidity and we guarantee it.

A high standard of accuracy has been sought in the preparation of this buying guide. We apologize for, but will not be bound by or responsible for, errors and omissions in this buying guide.

Not all products may be available in all stores. See what is available at your local store by visiting [IKEA.us](http://IKEA.us). For more detailed product information, see the price tag or visit [IKEA.us](http://IKEA.us). All products shown require assembly. All textiles shown are imported.



# Content

How to plan .....	03
How to combine .....	04
How to choose.....	05
HAVBÄCK combinations .....	07
HAVBÄCK all the parts .....	12
Other furniture .....	13
Sinks .....	14
Accessories .....	15
Faucets .....	15
Lighting .....	16
Services .....	17
Guidance .....	17

# How to plan

## What do you want to store?

Start by thinking what storage needs do you have in your bathroom. Think of the activities that happen in your bathroom like laundry, shower, clean and care. How many people use the bathroom and when is the rush hour usually? Based on the activities and amount of people you can plan how many storage units that will best suit your needs. Think about the wall space you have available for a sink cabinet and sink, since this is the center of most bathroom activities. The HAVBÄCK series comprises sink cabinets of different sizes, wall cabinet and high cabinet. The drawers in HAVBÄCK sink cabinet are smooth running and pull out fully so you can easily see and reach what's inside. Pull-out stops prevent the drawers from being pulled out too far and falling, which is especially practical if you have children. All doors and drawers are equipped with soft closing function which makes the mornings and evenings quiet. Fixed dividers that are a perfect fit together with our organizers VISSLÅN and BOLLÖSUND.

## Choose the expression

After you have decided on the size of the sink cabinet, you have a choice between different colors and find the one that suits your style. The sink cabinets need to be mounted to the wall, and you choose to have it with or without supporting legs. Next, choose a sink that fits your needs and space: single, double, semi-recessed or countertop. The sinks are made of ceramic or crushed marble. Ceramic sinks have a glazed finish and are easy to clean. They have excellent scratch resistance and are very durable. Crushed marble is comprised mainly of crushed minerals with binding agents. Crushed marble sinks are smooth, durable and easy to clean.

For ease of shopping, as each integrated and semi-recessed sink requires a water trap (sold separately), we've shown them as a part of each complete combination. The water trap comes with a flexible pipe. All countertop sinks come with the water trap included. A pop-up plug is always included with the integrated and semi-recessed sinks.

If you choose a semi-recessed or countertop sink you need to combine a sink cabinet with the countertop. IKEA countertops have been developed with special attention to quality, so they are water resistant, durable and will last a long time. They come in different sizes that match the sink cabinets perfectly. Choose the look that suits you and your bathroom best.

You can find a wide selection of sink faucets at IKEA. Choose your faucet based on function and design. All faucets have a flow regulator that uses less water but ensures that the water flow feels the same.

Like putting icing on the cake – add knobs or handles to create the spot-on solution for your style and taste. These small details make a big difference.

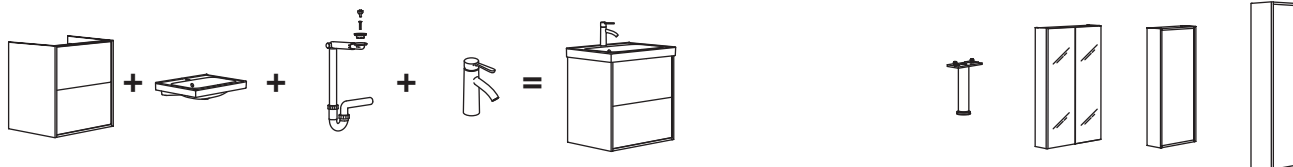
The last thing to decide is what to put above and around your sink: mirror, mirror cabinet, high cabinet or wall cabinet. The combination possibilities are endless. Make your choice based on your bathroom storage needs, space and style.

# How to combine

Here is a guide to explain how you can put together your very own HAVBÄCK bathroom solution. For all the parts and pieces see page 11. If you want to browse our ready-made solutions visit [IKEA.us](http://IKEA.us)

## Sink cabinet with integrated sink

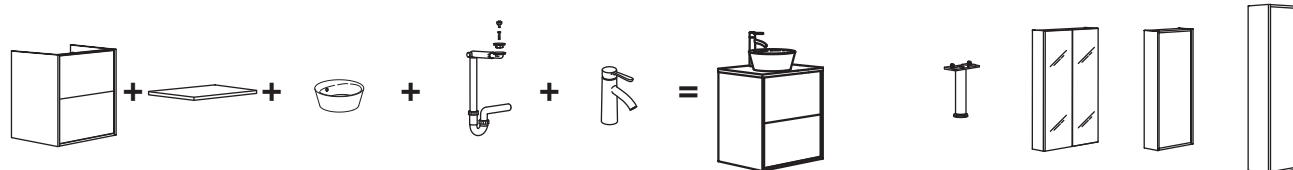
To build a sink cabinet with an integrated sink you need a sink cabinet, sink, water trap and faucet.



If you like the look of legs or are unsure how much weight your wall can hold, add legs at the front of each cabinet. Complete your bathroom solution with a mirror, mirror cabinet, wall cabinet or high cabinet – all according to your need.

## Sink cabinet with countertop sink

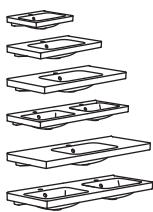
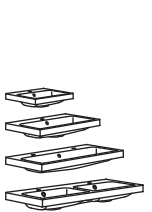
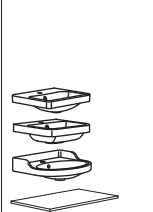
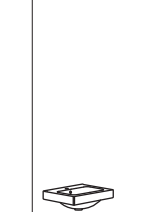








To build a sink cabinet with a countertop sink\* you need a sink cabinet, countertop, sink, water trap and faucet.





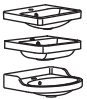
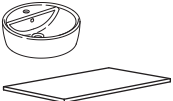
If you like the look of legs or are unsure how much weight your wall can hold, add legs at the front of each cabinet. Complete your bathroom solution with a mirror, mirror cabinet, wall cabinet or high cabinet – all according to your need.

\* Countertop sink have the water trap included.








# How to choose sink cabinet and sink

Sink cabinet width	 <b>ORRSJÖN sink with water trap</b>	 <b>BACKSJÖN sink with water trap</b>	 <b>ORRSJÖN/BACKSJÖN semi-recessed sink</b> Strainer and water trap included with sink. Add your choice of countertop.	 <b>ORRSJÖN deep sink</b> Strainer and water trap included with sink. Add your choice of countertop.
24" 	<b>25×21¾"</b> 295.169.08	<b>24½×21"</b> 295.170.07	<b>20"</b> ORRSJÖN 495.169.12 BACKSJÖN 295.170.12	<b>25×21¾"</b> 295.169.13
24" 	<b>25×21¾"</b> 295.169.08	<b>24½×21"</b> 295.170.07	<b>20"</b> ORRSJÖN 495.169.12 BACKSJÖN 295.170.12	N/A
30" 	<b>31×21¾"</b> 895.169.05	<b>30½×21"</b> 095.170.08	<b>20"</b> ORRSJÖN 495.169.12 BACKSJÖN 295.170.12	N/A
30" 	<b>31×21¾"</b> 895.169.05	<b>30½×21"</b> 095.170.08	<b>20"</b> ORRSJÖN 495.169.12 BACKSJÖN 295.170.12	N/A
36" 	<b>37×21¾"</b> single 695.169.06 double 095.169.09	<b>36½×21"</b> 695.170.10	<b>20"</b> ORRSJÖN 495.169.12 BACKSJÖN 295.170.12	N/A
48" 	<b>49×21¾"</b> double 895.169.10	<b>48½×21"</b> 495.170.11	<b>20"</b> ORRSJÖN 495.169.12 BACKSJÖN 295.170.12	N/A
48" 	<b>49×21¾"</b> double 895.169.10	<b>48½×21"</b> 495.170.11	<b>20"</b> ORRSJÖN 495.169.12 BACKSJÖN 295.170.12	N/A
48" 	<b>49×21¾"</b> double 895.169.10	<b>48½×21"</b> 495.170.11	<b>20"</b> ORRSJÖN 495.169.12 BACKSJÖN 295.170.12	N/A
61"		<b>48½×21"</b> 495.170.11		N/A
67"		<b>48½×21"</b> 495.170.11	<b>20"</b> ORRSJÖN 495.169.12 BACKSJÖN 295.170.12	N/A

# How to choose countertop sink and faucet

<p>Semi-recessed and countertop sink</p>	 <p>Regular faucet</p>	 <p>Tall faucet</p>
<p>ORRSJÖN/BACKSJÖN/RUTSJÖN semi-recessed sink + countertop</p> 	<p>804.233.50, 905.325.27, 305.325.49, 104.571.93, 805.327.16, 205.328.61, 305.331.53, 204.003.23, 705.332.74</p>	<p>N/A</p>
<p>TÖRNVIKEN countertop sink + countertop</p> 	<p>804.233.50, 905.325.27, 305.325.49, 104.571.93, 805.327.16, 205.328.61, 305.331.53, 204.003.23, 705.332.74</p>	<p>N/A</p>

# How to choose widespread and centerset sinks and faucets

<p>Wide spread sink</p>	 <p>Widespread faucet</p>			 <p>Center set faucet</p>
<p>ORRSJÖN widespread sink, semi-recessed</p> 	<p>306.013.64, 006.044.39, 506.013.63</p>		<p>ORRSJÖN double sink, center set</p> 	<p>906.013.61, 706.013.62, 606.044.22, 006.008.32</p>
<p>ORRSJÖN widespread sink</p> 	<p>306.013.64, 006.044.39, 506.013.63</p>		<p>ORRSJÖN center set sink</p> 	<p>906.013.61, 706.013.62, 606.044.22, 006.008.32</p>
<p>RUTSJÖN widespread sink</p> 	<p>306.013.64, 006.044.39, 506.013.63</p>			

# Bath faucet families

## Regular faucets

- BROGRUND
- DALSKÄR
- ENSEN
- GLYPEN
- HAMNSKÄR
- PILKÄN
- RUNSKÄR
- SALJEN
- VOXNAN

## Tall faucets

- BROGRUND
- VOXNAN

## Widespread faucet

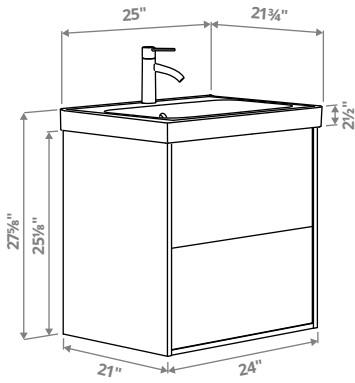
- MACKSJÖN

## Centerset faucet

- MACKSJÖN

# HAVBÄCK combinations

Width×Depth×Height. Knobs/handles are sold separately. Each combination below is shown with the DALSKÄR faucet. You have your choice of faucets on page 15.

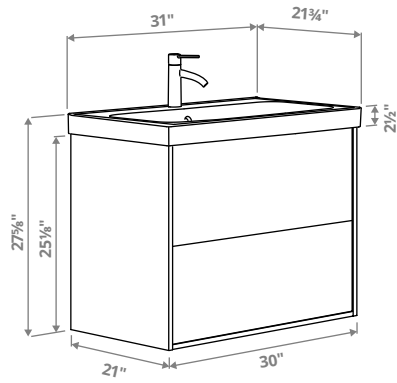


**HAVBÄCK/ORRSJÖN Sink cabinet with drawers/sink/faucet, 25×21¾×27⅞".**

This combo has two spacious drawers and room on the sink for toothbrush and soap.

Beige	495.306.87
Dark gray	695.306.86
White	295.306.88

	Widespread	Center set
Beige	*	295.900.93
Dark gray	*	495.900.92
White	*	695.900.91

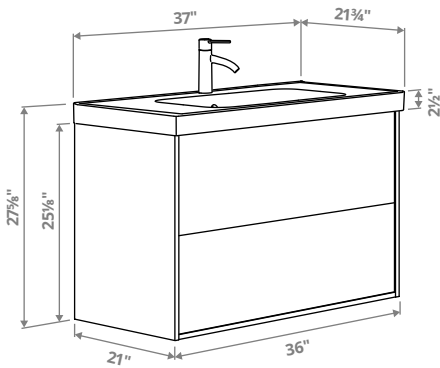


**HAVBÄCK/ORRSJÖN Sink cabinet with drawers/sink/faucet, 31×21¾×27⅞".**

This combo has two spacious drawers and room on the sink for toothbrush and soap.

Beige	495.307.10
Dark gray	695.307.09
White	895.307.08

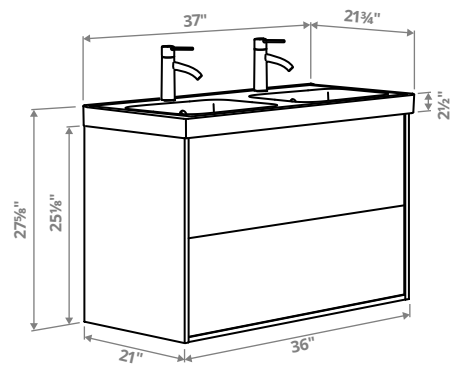
	Widespread	Center set
Beige	395.901.01	*
Dark gray	595.901.00	*
White	995.900.99	*



**HAVBÄCK/ORRSJÖN Sink cabinet with drawers/sink/faucet, 37⅞×21¾×27⅞".**

This combo has two spacious drawers and room on the sink for toothbrush and soap.

Beige	095.307.45
Dark gray	395.307.44
White	595.307.43



**HAVBÄCK/ORRSJÖN Sink cabinet with drawers/sink/faucets, 37⅞×21¾×27⅞".**

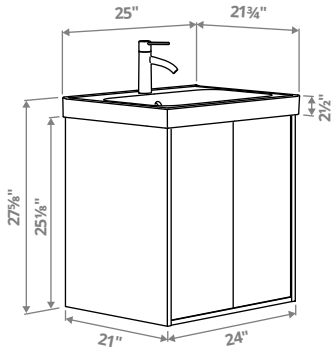
This combo has two spacious drawers and a double sink that can handle the morning rush.

Beige	695.307.33
Dark gray	895.307.32
White	095.307.31

\*Please see an IKEA coworker for the parts need to build this combination.

# HAVBÄCK combinations

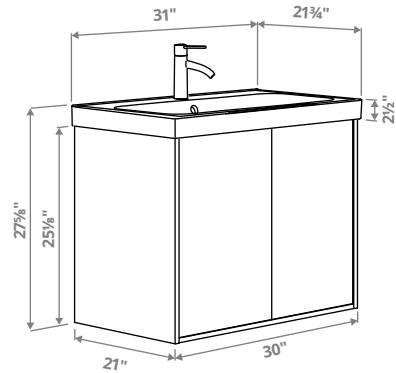
Width×Depth×Height. Knobs/handles are not included. Each combination below is shown with the DALSKÄR faucet. You have your choice of faucets on page 15.



## HAVBÄCK/ORRSJÖN Sink cabinet with doors/sink/faucet, 25×21¾×27⅝".

This combo offers closed storage and room on the sink for toothbrush and soap.

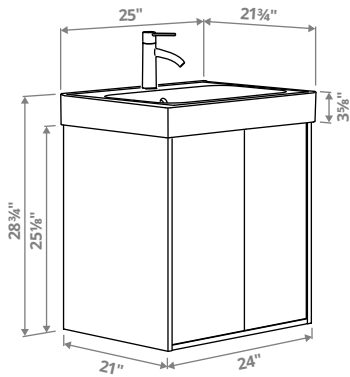
Beige	395.306.97
Dark gray	595.306.96
White	795.306.95



## HAVBÄCK/ORRSJÖN Sink cabinet with doors/sink/faucet, 31×21¾×27⅝".

This combo offers closed storage and room on the sink for toothbrush and soap.

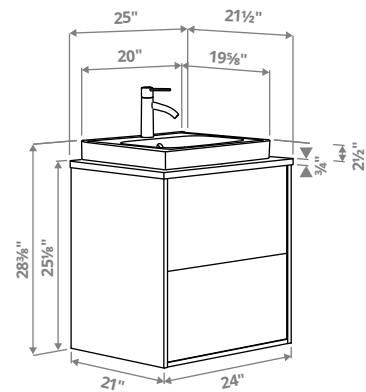
Beige	595.307.24
Dark gray	795.307.23
White	995.307.22



## HAVBÄCK/ORRSJÖN Sink cabinet with doors/deep sink/faucet, 25×21¾×28¾".

This combo offers closed storage and a deep sink that prevents spilling on the floor.

Beige	195.307.02
Dark gray	395.307.01
White	595.307.00



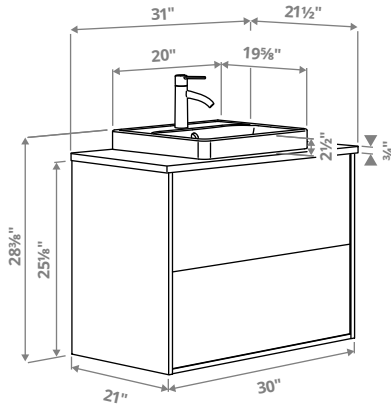
## HAVBÄCK/ORRSJÖN Sink cabinet with drawers/sink/faucet, 25×21½×28⅜".

This sink cabinet with semi-recessed sink and countertop becomes a personal centerpiece with your choice of knobs or handles.

Beige/Black marble effect	995.319.72
Beige/Bamboo	995.319.91
Beige/Brown walnut effect	495.319.84
Beige/White marble effect	995.319.48
Dark gray/Black marble effect	795.319.73
Dark gray/Bamboo	795.319.92
Dark gray/Brown walnut effect	195.319.85
Dark gray/Gray stone effect	695.319.78
Dark gray/White marble effect	195.319.47
White/Black marble effect	595.319.74
White/Bamboo	595.319.93
White/Brown walnut effect	995.319.86
White/Gray stone effect	495.319.79
White/White marble effect	395.319.46

# HAVBÄCK combinations

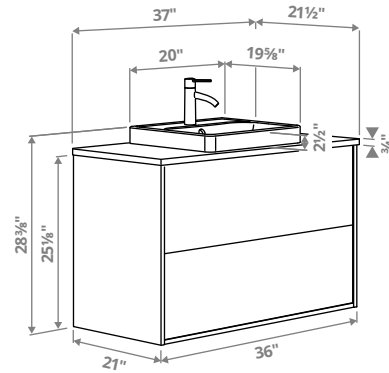
Width×Depth×Height. Knobs/handles are not included. Each combination below is shown with the DALSKÄR faucet. You have your choice of faucets on page 15.



## HAVBÄCK/ORRSJÖN Sink cabinet with drawers/sink/faucet, 31×21½×28¾".

This sink cabinet with semi-recessed sink and countertop becomes a personal centerpiece with your choice of knobs or handles.

Beige/Black marble effect	395.325.16
Beige/Bamboo	995.325.18
Beige/Brown walnut effect	195.325.17
Beige/White marble effect	095.321.60
Dark gray/Black marble effect	595.325.20
Dark gray/Bamboo	195.325.22
Dark gray/Brown walnut effect	395.325.21
Dark gray/Gray stone effect	195.326.02
Dark gray/White marble effect	495.321.58
White/Black marble effect	995.325.23
White/Bamboo	495.325.25
White/Brown walnut effect	795.325.24
White/Gray stone effect	995.326.03
White/White marble effect	695.321.57

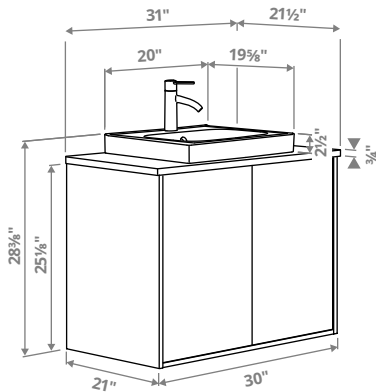


## HAVBÄCK/ORRSJÖN Sink cabinet with drawers/sink/faucet, 37×21½×28¾".

This sink cabinet with semi-recessed sink and countertop becomes a personal centerpiece with your choice of knobs or handles.

Beige/Black marble effect	195.355.54
Beige/Bamboo	795.355.65
Beige/Brown walnut effect	495.355.62
Beige/White marble effect	595.355.33
Dark gray/Black marble effect	895.355.55
Dark gray/Bamboo	595.355.66
Dark gray/Brown walnut effect	295.355.63
Dark gray/Gray stone effect	495.355.57
Dark gray/White marble effect	795.355.32
White/Black marble effect	695.355.56
White/Bamboo	395.355.67
White/Brown walnut effect	095.355.64
White/Gray stone effect	295.355.58
White/White marble effect	995.355.31

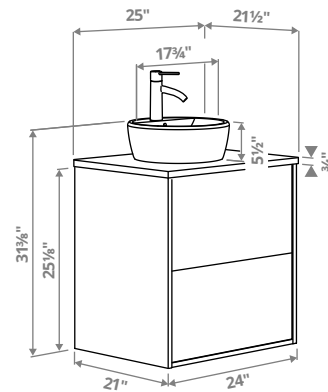
	Widespread	Center set
Beige/Black marble effect	295.901.11	*
Dark gray/Black marble effect	495.901.10	*
White/Black marble effect	695.901.09	*



## HAVBÄCK/ORRSJÖN Sink cabinet with doors/sink/faucet, 31×21½×28¾".

This sink cabinet with doors, semi-recessed sink and countertop becomes a personal centerpiece with your choice of knobs or handles.

Beige/Black marble effect	095.340.17
Beige/Bamboo	495.340.20
Beige/White marble effect	295.340.16
Dark gray/Black marble effect	895.340.18
Dark gray/Bamboo	295.340.21
Dark gray/White marble effect	495.340.15
White/Black marble effect	695.340.19
White/Bamboo	095.340.22
White/White marble effect	795.340.14



## HAVBÄCK/TÖRNVIKEN sink cabinet with drawers/sink/faucet, 25×21½×31¾".

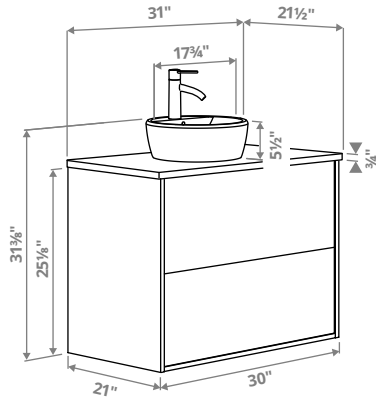
This sink cabinet with countertop and a round countertop sink, gets a personal expression when you add your choice of knobs or handles.

Beige/Black marble effect	695.321.19
Beige/White marble effect	295.321.16
Dark gray/Black marble effect	895.321.18
Dark gray/White marble effect	495.321.15
White/Black marble effect effect	095.321.17
White/White marble effect	795.321.14

\*Please see an IKEA coworker for the parts need to build this combination.

# HAVBÄCK combinations

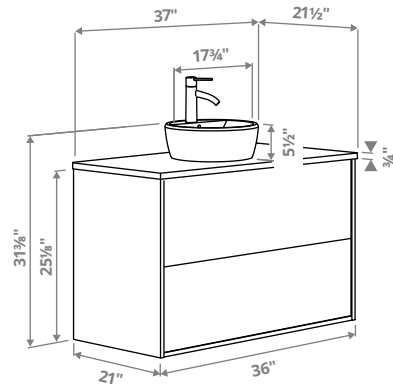
Width×Depth×Height. Knobs/handles are not included. Each combination below is shown with the DALSKÄR faucet. You have your choice of faucets on page 15.



## HAVBÄCK/TÖRNVIKEN sink cabinet with drawers/sink/faucet, 31×21½×31⅜".

This sink cabinet with countertop and a round countertop sink, gets a personal expression when you add your choice of knobs or handles.

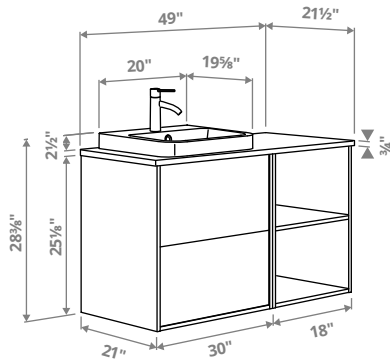
Beige/Black marble effect	695.341.75
Beige/White marble effect	395.341.48
Dark gray/Black marble effect	495.341.76
Dark gray/White marble effect	595.341.47
White/Black marble effect effect	295.341.77
White/White marble effect	795.341.46



## HAVBÄCK/TÖRNVIKEN sink cabinet with drawers/sink/faucet, 37×21½×31⅜".

This sink cabinet with countertop and a round countertop sink, gets a personal expression when you add your choice of knobs or handles.

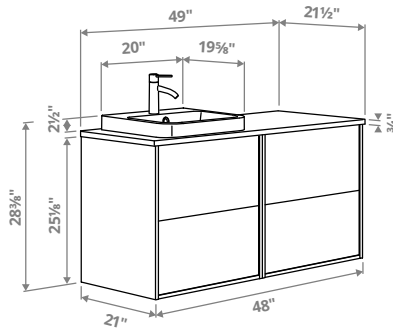
Beige/Black marble effect	395.356.09
Beige/White marble effect	595.356.08
Dark gray/Black marble effect	195.356.10
Dark gray/White marble effect	795.356.07
White/Black marble effect effect	995.356.11
White/White marble effect	995.356.06



## HAVBÄCK/ORRSJÖN Sink cabinet/sink/faucet, 49×21½×28⅜".

This solution has a little of everything. Both open and closed storage for decorative items and essentials, counterspace to keep things handy and the warm feel of wood to add character to your space.

Beige/Brown oak effect/White marble effect	695.357.59
Beige/Oak effect/White marble effect	095.357.57
Dark gray/Brown oak effect/White marble effect	895.357.58
Dark gray/Oak effect/White marble effect	295.357.56



## HAVBÄCK/ORRSJÖN Sink cabinet/sink/faucet, 49×21½×28⅜".

In a shared bathroom, this solution offers your own private drawer – or two. The sink is paired with a roomy countertop where you can place things while getting ready for the day ahead.

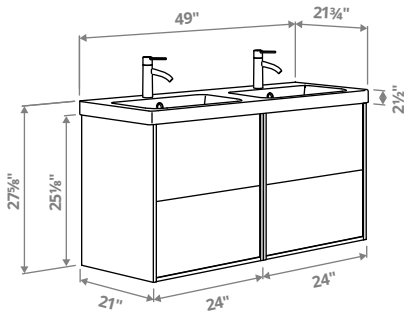
Beige/Black marble effect	495.359.58
Beige/Bamboo	995.359.65
Beige/Brown walnut effect	695.359.62
Beige/White marble effect	695.359.57
Dark gray/Black marble effect	295.359.59
Dark gray/Bamboo	595.359.67
Dark gray/Brown walnut effect	495.359.63
Dark gray/Gray stone effect	195.359.69
Dark gray/White marble effect	095.359.55
White/Black marble effect	895.359.61
White/Bamboo	395.359.68
White/Brown walnut effect	295.359.64
White/Gray stone effect	995.359.70
White/White marble effect	795.359.52

	Widespread	Center set
Beige/Black marble effect	695.901.14	*
Dark gray/Black marble effect	895.901.13	*
White/Black marble effect	095.901.12	*

\*Please see an IKEA coworker for the parts need to build this combination.

# HAVBÄCK combinations

Width×Depth×Height. Knobs/handles are not included. Each combination below is shown with the DALSKÄR faucet. You have your choice of faucets on page 15.

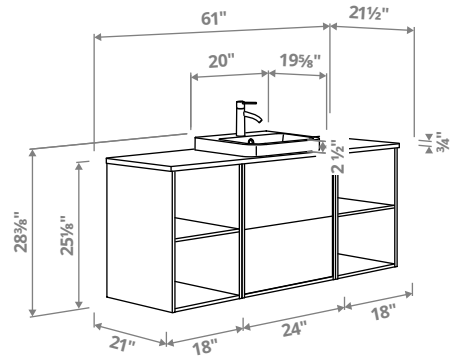


## HAVBÄCK/ORRSJÖN Sink cabinet/sink/two faucets, 49×21 3/4×27 7/8".

What do you get when you combine two of everything? Generous storage space and double the washing space! A brilliant solution with plenty of space for two or more to get ready in the morning.

Beige	695.357.40
Dark gray	895.357.39
White	095.357.38

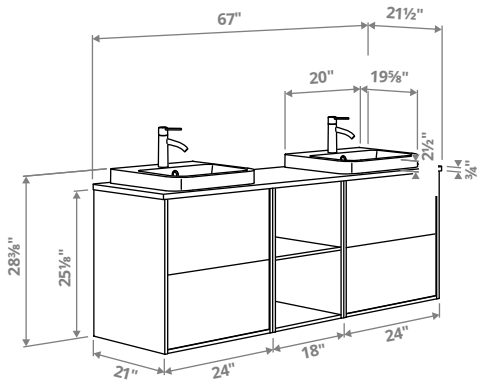
	Widespread	Center set
Beige	*	995.901.17
Dark gray	*	195.901.16
White	*	395.901.15



## HAVBÄCK/ORRSJÖN Sink cabinet/sink/faucet, 61×21 1/2×28 3/8".

A solution with closed storage and sink placed in the middle, surrounded by open cabinets and countertop space on each side. The warm wooden look invites you to relax.

Beige/Brown oak effect/White marble effect	995.357.91
Beige/Oak effect/White marble effect	795.357.92
Dark gray/Brown oak effect/White marble effect	595.357.93
Dark gray/Oak effect/White marble effect	395.357.94



## HAVBÄCK/ORRSJÖN Sink cabinet/sinks/two faucets, 67×21 1/2×28 3/8".

A mix of open and closed storage and shared countertop space between the two sinks - an ideal set-up that prevents queues during the morning rush. Functional and harmonious with a warm wooden look.

Beige/Brown oak effect/White marble effect	595.359.29
Beige/Oak effect/White marble effect	195.359.31
Dark gray/Brown oak effect/White marble effect	995.359.32
Dark gray/Oak effect/White marble effect	795.359.33

\*Please see an IKEA coworker for the parts need to build this combination.

# HAVBÄCK all the parts

Width×Depth×Height. Knobs/handles are not included. Hinges and drawers comes with integrated dampers.



**HAVBÄCK Sink cabinet, 24×21×25½"**. Closed storage with capacity for bulkier or taller items, like bottles and baskets, keeping them dust-free and out of sight. Two legs can be added.

Beige	105.740.07
Dark gray	405.352.41
White	305.352.32



**HAVBÄCK Sink cabinet, 30×21×25½"**. Closed storage with capacity for bulkier or taller items, like bottles and baskets, keeping them dust-free and out of sight. Two legs can be added.

Beige	905.740.08
Dark gray	905.352.53
White	805.352.44



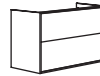
**HAVBÄCK Sink cabinet with drawers, 24×21×25½"**. Generous, full drawer storage capacity for all your essentials as piping is led through the back and not via a cut-out in the drawers. Two legs can be added.

Beige	705.740.09
Dark gray	605.352.02
White	705.351.93



**HAVBÄCK Sink cabinet with drawers, 30×21×25½"**. Generous, full drawer storage capacity for all your essentials as piping is led through the back and not via a cut-out in the drawers. Drawers open all the way for a good overview. Two legs can be added.

Beige	505.740.10
Dark gray	105.352.14
White	905.352.05



**HAVBÄCK Sink cabinet with drawers, 36×21×25½"**. Generous, full drawer storage capacity for all your essentials as piping is led through the back and not via a cut-out in the drawers. Drawers open all the way for a good overview. Two legs can be added.

Beige	305.740.11
Dark gray	105.352.28
White	805.352.20



**HAVBÄCK High cabinet, 18×15×77"**. Generous storage on a narrow space that keeps towels, blow dryer and other bathroom essentials dust-free and out of sight. Two legs can be added.

Beige	805.740.04
Dark gray	305.351.90
White	205.351.81



**HAVBÄCK Wall cabinet, 18×6×37"**. This shallow wall cabinet with adjustable shelves provides a good overview of all your things.

Beige	105.740.12
Dark gray	805.351.78
White	705.351.69

## Other furniture

Width×Depth×Height. Hinges and drawers comes with integrated dampers.



**HAGAÄN Open cabinet, 18×21×13"**. There is a concealed space for piping in the back of the cabinet.

Brown oak effect	805.355.31
Oak effect	905.355.21



**HAGAÄN Open cabinet, 18×21×25½"**. There is a concealed space for piping in the back of the cabinet. Two legs can be added.

Brown oak effect	905.355.35
Oak effect	605.355.13



**HAGAÄN Wall open cabinet, 18×6×37"**. This shallow wall cabinet with shelves provides a good overview of all your things and puts often-used items within easy reach.

Brown oak effect	105.355.39
Oak effect	005.355.25



**LETTAN Mirror cabinet** Mirrored doors and sides on the inside and outside enable viewing from different angles. White

24×6×37"	805.354.99
30×6×37"	905.355.02
36×6×37"	205.355.05



**LETTAN Mirror** Fittings are adjustable in depth, give space for lighting cords. Can be hung horizontally or vertically.

24×37"	805.523.23
30×37"	605.523.24
36×37"	305.523.30
48×37"	905.523.32



**FAXÄLVEN Mirror cabinet with built-in lighting, 24×6×37"**. Integrated lighting around the outside and the inside. Dimmable with RODRET wireless dimmer/power switch, sold separately.

Brown oak effect	995.168.20
Oak effect	395.168.23
White	695.168.26

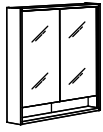


**FAXÄLVEN Mirror cabinet with built-in lighting, 30×6×37"**. Integrated lighting around the outside and the inside. Dimmable with RODRET wireless dimmer/power switch, sold separately.

Brown oak effect	795.168.21
Oak effect	195.168.24
White	495.168.27

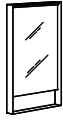
# Other furniture

Width×Depth×Height. Hinges and drawers comes with integrated dampers.



**FAXÄLVEN Mirror cabinet with built-in lighting**, 36×6×37". Integrated lighting around the outside and the inside. Dimmable with RODRET wireless dimmer/power switch, sold separately.

Brown oak effect	595.168.22
Oak effect	895.168.25
White	295.168.28



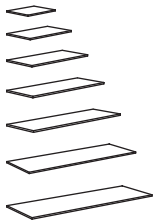
**FAXÄLVEN Mirror with built-in lighting** Light inside the metal frame around the mirror. Dimmable with RODRET wireless dimmer/power switch, sold separately. White

24×37"	595.167.75
30×37"	395.167.76



**FAXÄLVEN Mirror with built-in lighting** Lighting all around the mirror and one light source on the mirror. Dimmable with RODRET wireless dimmer/power switch, sold separately.

31½"	195.167.77
39¾"	995.167.78



**TOLKEN Countertop** Foil finish. Thickness ¾". Countertops in foil create a clean and modern look that also harmonizes in more traditional bathrooms.

### White marble effect

25×21½"	205.553.86
31×21½"	405.553.85
37×21½"	705.553.84
49×21½"	805.553.88
61×21½"	905.553.83
67×21½"	005.553.87

### Black marble effect

25×21½"	105.553.82
31×21½"	305.553.81
37×21½"	505.553.80
49×21½"	905.553.78
61×21½"	705.553.79
67×21½"	105.553.77

### Gray stone effect

25×21½"	205.551.07
31×21½"	405.551.06
37×21½"	605.551.05
49×21½"	805.551.09

**TOLKEN Countertop**, laminate. Thickness ¾". Laminate countertops create bold look that feels warm and inviting.

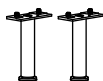
### Brown walnut effect

25×21½"	805.683.24
31×21½"	505.683.25
37×21½"	305.683.26
49×21½"	105.683.27
61×21½"	905.683.28
67×21½"	705.683.34

**ÄLSKEN Countertop**, thick veneer. Thickness ¾". Countertops in thick veneer are made with a thick layer of wood veneer, each with unique grain patterns.

### Bamboo

25×21½"	805.551.47
31×21½"	705.551.43
37×21½"	505.551.44
49×21½"	205.551.45



**ALMAÄN Legs** Adjustable height 4¾-7%.

Stainless steel	205.349.16
-----------------	------------



**ALMAÄN Legs** Adjustable height 4¾-7%.

Stainless steel/shiny	205.429.64	<b>2pk</b>
-----------------------	------------	------------



**ALMAÄN Legs** Height 4½". Painted solid beech.

Light gray	705.355.41	<b>2pk</b>
White	905.355.40	<b>2pk</b>



**ALMAÄN Legs** Height 7". Painted solid beech.

Light gray	305.351.33	<b>2pk</b>
White	505.351.32	<b>2pk</b>

## Accessories



**VISSLAÄN Box with compartments**, 12¾×12¼×3¼". Small compartments practical for sorting items like hair accessories and jewelry.

Brown-beige	005.621.04
-------------	------------



**VISSLAÄN Boxes with lids** Includes: one box (8×8×3½"), one box (8×4×3½") and three boxes (4×4×3½").

Brown-beige	905.545.38
-------------	------------



**VISSLAÄN Drawer organizer**, 13¾×4¼×1".

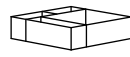
Brown-beige	405.621.16
-------------	------------



**VISSLAÄN Drawer organizers**

Includes: one tray, (6½×3½×1"), one bottle holder (6½×4¾×3½") and one toothbrush holder (2¾×3¾×4½").

Brown-beige	205.621.17	<b>set of 3</b>
-------------	------------	-----------------



**BOLLÖSUND Drawer organizers**

Beige	505.621.06	<b>set of 4</b>
-------	------------	-----------------



**BOLLÖSUND Toiletry bag**

Beige	605.621.15
-------	------------

# Widespread and Center Set Sinks and Faucets

Width×Depth. RÄNNILEN water trap included, but sold and packaged separately.

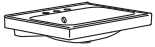
## Widespread: All The Parts



### ORRSJÖN Semi-recessed sink, widespread

For use with 8" widespread bathroom faucet. Fits in HAVBÄCK, ÅNGSJÖN, TÄNNFORSEN and HEMNES bathroom sink cabinets. Includes polished stainless steel sink pop-up plug. Water trap sold separately. White ceramic. Height 2½".

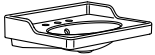
W20×D19¾"	306.054.42
-----------	------------



### ORRSJÖN Sink, widespread

For use with 8" widespread bathroom faucet. Fits in HAVBÄCK, ÅNGSJÖN, TÄNNFORSEN and HEMNES bathroom sink cabinets. Includes polished stainless steel sink pop-up plug. Water trap sold separately. White ceramic. Height 2½".

W31×D21¾"	706.054.40
-----------	------------



**RUTSJÖN Side, widespread** Integrated ceramic sink with raised backsplash For use with 8" widespread bathroom faucet. Fits in HAVBÄCK and TÄNNFORSEN bathroom sink cabinets. Includes polished stainless steel sink pop-up plug. Water trap sold separately. White ceramic. H4¾".

W31¾×D21¾"	106.054.43
------------	------------



**MACKSJÖN Widespread sink faucet** Fits sinks with pre-drilled 8" hole spread. Built-in pressure-compensating aerator provides a clean and streamlined water flow that helps save water and energy. Durable ceramic disc valves in the handles secure long-lasting usage. Spout: Stainless steel. Handle: Chrome-plated zinc. Height 8¾".

Black	306.013.64
Chrome-plated	506.013.63
Brushed nickel	006.044.39

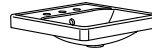
## Center Set: All The Parts



### ORRSJÖN Double sink, center set

For use with two 4" center set bathroom faucets. Fits in HAVBÄCK, ÅNGSJÖN, TÄNNFORSEN and HEMNES bathroom sink cabinets. Includes polished stainless steel sink pop-up plug. Water trap sold separately. White ceramic. Height 2½".

W49×D21¾"	506.054.41
-----------	------------



### ORRSJÖN Sink, center set

For use with 4" center set bathroom faucet. Fits in HAVBÄCK, ÅNGSJÖN, TÄNNFORSEN and HEMNES bathroom sink cabinets. Includes polished stainless steel sink pop-up plug. Water trap sold separately. White ceramic. Height 2½".

W25×D21¾"	106.060.32
-----------	------------

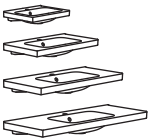


**MACKSJÖN Center set sink faucet** Fits sinks with pre-drilled 4" hole spread. Built-in pressure-compensating aerator provides a clean and streamlined water flow that helps save water and energy. Durable ceramic disc valves in the handles secure long-lasting usage. Spout: Stainless steel. Handle: Chrome-plated zinc. Height 9".

Black	906.013.61
Brass-color	706.013.62
Chrome-plated	006.008.32
Brushed nickel	606.044.22

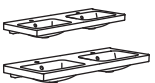
## Sinks

Width×Depth. RÄNNILEN water trap included in combination but sold and packaged separately.



### ORRSJÖN Sink White ceramic. Height 2½".

25×21¾"	295.169.08
31×21¾"	895.169.05
37×21¾"	695.169.06
49×21¾"	495.169.07



### ORRSJÖN Double sink White ceramic. Height 2½".

37×21¾"	095.169.09
49×21¾"	895.169.10



### ORRSJÖN Semi-recessed sink White ceramic. To be completed with a countertop. Height 2½".

20×19¾"	495.169.12
---------	------------



### ORRSJÖN Deep sink White ceramic. Height 3¾". Can only be used together with sink cabinet with doors.

25×21¾"	295.169.13
---------	------------



### BACKSJÖN Sink White crushed marble. Height 2¾".

24½×21"	295.170.07
30½×21"	095.170.08



### BACKSJÖN Sink White crushed marble. Two faucet holes. Height 2¾".

36½×21"	695.170.10
---------	------------



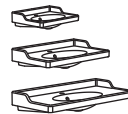
### BACKSJÖN Double sink White crushed marble. Height 2¾".

48½×21"	495.170.11
---------	------------



### BACKSJÖN Semi-recessed sink Crushed marble. To be completed with a countertop. 20×19¾". Height 2¾".

White	295.170.12
Black	495.754.02



### RUTSJÖN sink White ceramic. Height 4¾".

25¼×21¾"	195.170.22
31¾×21¾"	995.170.23
37¾×21¾"	795.170.24



### RUTSJÖN Semi-recessed sink White ceramic. To be completed with a countertop. Height 4¾".

20×19¾"	495.170.25
---------	------------

# Countertop sinks

Width×Depth. Water trap included.



**TÖRNVIKEN Countertop sink** White ceramic. To be completed with a countertop. Height 5½".  
 Ø17¾" 302.915.16



**VÄSTERSJÖN Countertop sink** White ceramic. To be completed with a countertop and a tall faucet. Height 5½".  
 Ø15¾" 195.745.93

# Semi-recessed sinks

Width×Depth. RÄNNILEN water trap included in combination but sold and packaged separately.



**ORRSJÖN Semi-recessed sink** White ceramic. To be completed with a countertop. Height 2½".  
 20×19⅝" 495.169.12



**BACKSJÖN Semi-recessed sink** Crushed marble. To be completed with a countertop. 20×19⅝". Height 2¾".  
 White 295.170.12  
 Black 495.754.02



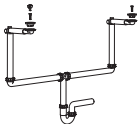
**RUTSJÖN Semi-recessed sink** White ceramic. To be completed with a countertop. Height 4¼".  
 20×19⅝" 495.170.25

# Water traps

Included with all sinks shown above, but sold and packaged separately.



**RÄNNILEN Water trap, 1-bowl** Fits all IKEA single bowl semi-recessed and integrated sinks. Fits Ø1½" and 1⅝" outlets, both in wall and floor. RÄNNILEN water trap is designed to fit inside a cabinet and still allow space for a full-sized drawer. It's easy to remove for cleaning and just as easy to replace.  
 For 1-bowl sink 504.224.13



**RÄNNILEN Water trap, 2-bowls** Fits Ø1½" and 1⅝" outlets, both in wall and floor. RÄNNILEN water trap is designed to fit inside a cabinet and still allow space for a full-sized drawer. It's easy to remove for cleaning and just as easy to replace.  
 For 2-bowl sinks 205.624.38

# Faucets



**SALJEN Sink faucet** Plastic. Height 4¾".  
 Black 204.003.23



**PILKÅN Sink faucet** Brass. Height 3¾".  
 Chrome-plated 205.328.61



**ENSEN Sink faucet** Brass. Height 4¾".  
 Chrome-plated 305.325.49



**DALSKÄR Sink faucet** Brass. Height 7⅞".  
 Chrome-plated 905.325.27



**BROGRUND Sink faucet with sensor** Brass. Height 5⅝".  
 Chrome-plated 804.233.50



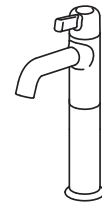
**BROGRUND Sink faucet, tall** Brass. Height 11".  
 Chrome-plated 005.320.94



**RUNSKÄR Sink faucet** Brass. Height 3¾".  
 Chrome-plated 305.331.53



**HAMNSKÄR Sink faucet** Brass. Height 7½".  
 Chrome-plated 805.327.16



**VOXNAN Sink faucet, tall.** Brass. Height 11¾".  
 Chrome-plated 605.332.55

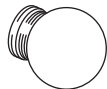
# Lighting for HAVBÄCK

## Ceiling, wall and cabinet lighting



**FRIHULT Ceiling lamp** The glass shade provides balanced general lighting throughout the room. Light bulb sold separately. IKEA recommends LED bulb E12 chandelier opal white. Ø5½, H9½".

Stainless steel 304.316.49



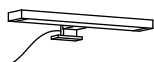
**FRIHULT Ceiling/wall lamp** The glass shade provides balanced general lighting throughout the room. Light bulb sold separately. IKEA recommends LED bulb E12 chandelier opal white. Ø6¼, H7½".

Stainless steel 704.316.14



**FRIHULT Wall lamp** A versatile lamp that can be mounted facing upwards or downwards, on its own above the mirror or as a pair with one on each side. Light bulb sold separately. IKEA recommends LED bulb E12 chandelier opal white. Ø5½, W9xH11".

Stainless steel 704.316.28



**VÄTHULT LED cabinet/mirror light** Can be placed above a mirror or on top of a mirror cabinet to get a good, glare-free light. L14".

Aluminum-color 404.675.53



**FLASKPOST LED cabinet lighting** LED lighting with a slim, minimalist design and an adjustable lamp head gives you good, glare-free light when applying make-up or shaving. Perfect to put on a cabinet or the wall above the bathroom mirror. Chrome-plated

22" 305.910.44

32" 605.915.37



**KABOMBA LED ceiling lamp** Ceiling lamp in a modern art deco style. Perfect for bathrooms where you need a good general light. Ø14, H4".

Matte black 604.898.13



**KABOMBA LED wall lamp, dimmable** Can be placed on its own above a mirror or as a pair with one lamp on each side. The lamp can be dimmed by using the button on the side. Ø6, H19".

Matte black 104.898.20



### KABOMBA LED wall lamp with mirror, dimmable

Can be placed on one or both sides of a mirror. The lamp can be dimmed by using the button on the side. The small removable mirror can be placed anywhere on the lamp and enlarges the reflection – ideal for shaving or putting on make-up. Ø8".

Matte black 004.898.06



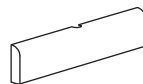
**HAVSDUN LED wall lamp, dimmable** Can be placed on its own above a mirror or as a pair with one lamp on each side. The frosted glass shade spreads a soft light that you can dim. W4xD5xH10".

White/frosted glass 204.992.58



**BILRESA Remote control, smart** This remote control has dual buttons to make it easier to operate your smart products. Based on the universal standard, Matter, you can manage your smart light sources with a touch of a button.

White 806.178.76



**SILVERGLANS Driver 30W.** Wireless control. Approved for use in the bathroom.

White 504.748.26

## Drawer lighting



**KÖLVATTEN LED lighting strip with sensor** The lighting's passive infrared sensor (PIR) reacts to body movements and heat and automatically turns the light on when you open the door or drawer. You can even choose to switch on/off manually. Batteries are sold separately. IKEA recommends LADDA rechargeable 2450 mAh HR6 AA 1.2V batteries. Easy to charge. You just remove the lighting, charge the batteries with a USB-C cable and click it back in place.

White

12" (requires 2-AA batteries) 705.653.40

20" (requires 3-AA batteries) 305.719.51

28" (requires 4-AA batteries) 505.719.74

Gray

12" (requires 2-AA batteries) 705.991.37

20" (requires 3-AA batteries) 705.991.40

28" (requires 4-AA batteries) 705.991.42

## Services

We offer a range of services to help you with everything from putting it together to getting it home. Of course, the more you do yourself, the lower the price will be. And the more we do for you, the more you can sit back and relax!

### Delivery service

Whether you're shopping in the store or online, and no matter how big the purchase, we can help do the heavy lifting and arrange delivery, by an Independent Service Provider, to your home or business.

### TaskRabbit Assembly service

All IKEA products are designed to be assembled by you, but you don't have to. We've partnered with TaskRabbit to connect you with a network of independent 'Taskers' who can provide quick and convenient assembly and mounting services for your IKEA purchases made online and in stores. You can schedule assembly service for as soon as the same day, with the Tasker of your choice. Visit [TaskRabbit.com/IKEA](https://www.taskrabbit.com/ikea) or see a co-worker for more details.

### It's ok to change your mind

You have 365 days to return your purchase. Keep your receipt safe to make returns easier. You're free to change your mind. Return unused items in their original packaging within 365 days together with proof of purchase for a full refund.