

# ÄNGSJÖN

## Bathroom series

### Design

Sarah Fager

### Safety

Secure It! Prevent tip-over injury. Furniture with included restraints must be secured to the wall according to the assembly instructions.

Furniture must be attached to the wall with the enclosed wall fastener. Different wall materials require different types of hardware. Use hardware (sold separately) suitable for the walls in your home.

Ensure that the walls in your bathroom can support the weight of the sink cabinet, and if not, then use legs.

### Care and cleaning

Wipe furniture clean with a cloth dampened in water or a nonabrasive detergent, then wipe dry with a clean cloth.

The sink and faucet should be wiped clean with a cloth dampened in water or a nonabrasive detergent.

Sinks made of ceramic are resistant to most chemicals, except for strong acids and strong alkalis.

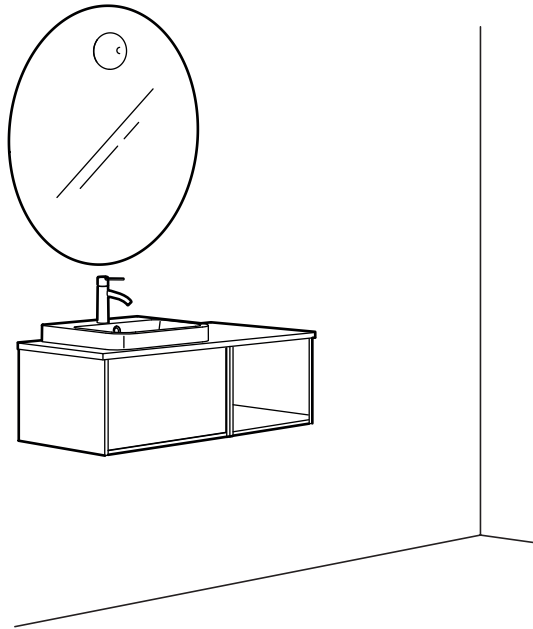
Sinks made of crushed marble should not come in contact with ammonia, acids, strong detergents, hair dye or chlorine.

10

ÄNGSJÖN bathroom series has a 10-year limited warranty. Read more in the limited warranty brochure at [IKEA.us/warranty](http://IKEA.us/warranty)

10

The bathroom sinks and faucets have a 10-year limited warranty. Read more in the limited warranty brochure at [IKEA.us/warranty](http://IKEA.us/warranty).



### Perfection, no matter the size of your bathroom

With ÄNGSJÖN family you can go for sleek expression with a high gloss finish or choose a warm wood look to create a relaxed, at-home wellness retreat. The contemporary design is emphasised with integrated handles, minimizing any unnecessary details and underlining the refined look.

The family includes single and double, soft-closing drawer units and the possibility to be complete with HAGAÄN open cabinet, giving you the opportunity to show or hide your things. This, and your choice of countertop, sink, faucet and legs will form your own unique expression.

The included suspension rail makes it easier to mount the cabinet on the wall and the unique wedge dowels make assembly easy and the fittings nearly invisible.

ÄNGSJÖN furniture will withstand years of splashes and humidity and we guarantee it.

A high standard of accuracy has been sought in the preparation of this buying guide. We apologize for, but will not be bound by or responsible for, errors and omissions in this buying guide.

Not all products may be available in all stores. See what is available at your local store by visiting [IKEA.us](http://IKEA.us). For more detailed product information, see the price tag or visit [IKEA.us](http://IKEA.us). All products shown require assembly. All textiles shown are imported.



# Content

How to plan .....	03
How to combine .....	04
How to choose .....	05
ÄNGSJÖN combinations .....	07
ÄNGSJÖN all the parts .....	15
Other furniture .....	16
Accessories .....	17
Sinks .....	17
Faucets .....	18
Lighting .....	19
Services .....	20
Guidance .....	20

# How to plan

## What do you want to store?

Start by thinking what storage needs do you have in your bathroom. Think of the activities that happen in your bathroom like laundry, shower, clean and care. How many people use the bathroom and when is the rush hour usually? Based on the activities and amount of people you can plan how many storage units that will best suit your needs.

Think about the wall space you have available for a sink cabinet and sink, since this is the center of most bathroom activities. The ÄNGSJÖN series comprises sink cabinets of different sizes, wall cabinet and high cabinet.

The drawers in ÄNGSJÖN sink cabinet are smooth running and pull out fully so you can easily see and reach what's inside.

Pull-out stops prevent the drawers from being pulled out too far and falling, which is especially practical if you have children.

All doors and drawers are equipped with soft closing function which makes the mornings and evenings quiet.

The included fixed dividers that are perfect fit together with our organizers VISSLÅN and BOLLÖSUND.

## Choose the expression

After you have decided on the size of the sink cabinet, you can choose between different colors and find the one that suits your style. The sink cabinets need to be mounted to the wall, and you have the choice to have it with or without supporting legs.

Next, choose a sink that fits your needs and space: single, double, semi-recessed or countertop. The sinks are made of ceramic or crushed marble. Ceramic sinks have a glazed finish and are easy to clean. They have excellent scratch resistance and are very durable. Crushed marble is comprised mainly of crushed minerals with binding agents. Crushed marble sinks are smooth, durable and easy to clean.

For ease of shopping, as each integrated and semi-recessed sink requires a water trap (sold separately), we've shown them as a part of each complete combination. The water trap comes with a flexible pipe.

A pop-up plug is always included with the integrated and semi-recessed sinks.

All countertop sinks come with the water trap included.

If you choose a semi-recessed or countertop sink you need to combine a sink cabinet with the countertop. IKEA countertops have been developed with special attention to quality, so they are water resistant, durable and will last a long time. They come in different sizes that match the sink cabinets perfectly. Choose the look that suits you and your bathroom best.

You can find a wide selection of faucets at IKEA. Choose your faucet based on function and design. All faucets have a flow regulator that uses less water but ensures that the water flow feels the same.

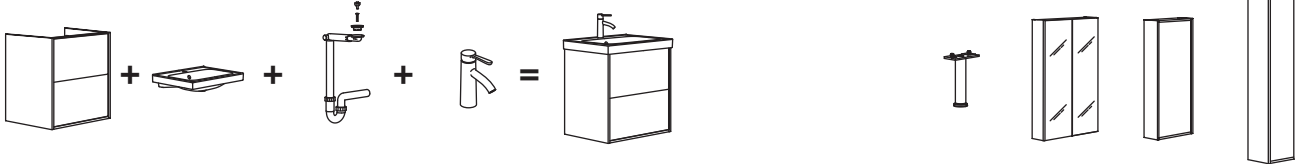
The last thing to decide is what to put above and around your sink: mirror, mirror cabinet, high cabinet or wall cabinet. The combination possibilities are endless. Make your choice based on your bathroom storage needs, space and style.

# How to combine

Here is a guide to explain how you can put together your very own ÄNGSJÖN bathroom solution. For all the parts and pieces see page 15. If you want to browse our ready-made solutions visit [IKEA.us](http://IKEA.us)

## Sink cabinet with integrated sink

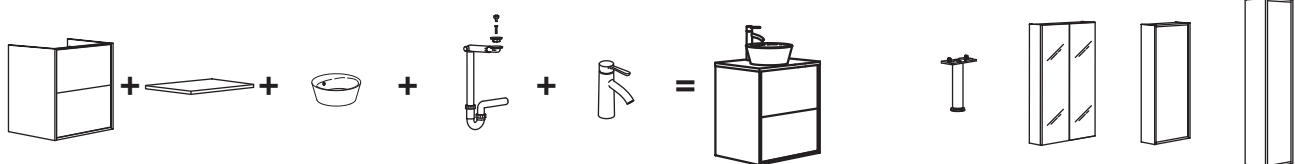
To build a sink cabinet with an integrated sink you need a sink cabinet, sink, water trap and faucet.



If you like the look of legs or are unsure how much weight your wall can hold, add legs at the front of each cabinet. Complete your bathroom solution with a mirror, mirror cabinet, wall cabinet or high cabinet – all according to your need.

## Sink cabinet with countertop sink

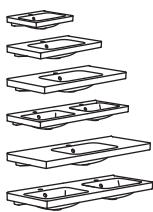
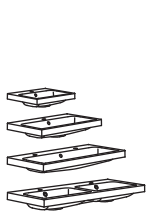
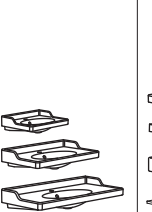
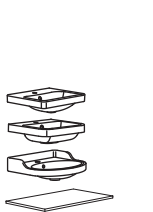
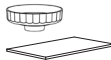



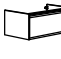



To build a sink cabinet with a countertop sink\* you need a sink cabinet, countertop, sink, water trap and faucet.



If you like the look of legs or are unsure how much weight your wall can hold, add legs at the front of each cabinet. Complete your bathroom solution with a mirror, mirror cabinet, wall cabinet or high cabinet – all according to your need.




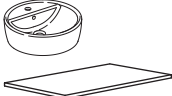
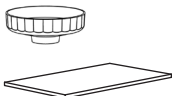
\* Countertop sink has the water trap included.

# How to choose sink cabinet and sink









Sink cabinet width	 <b>ORRSJÖN sink with water trap</b>	 <b>BACKSJÖN sink with water trap</b>	 <b>RUTSJÖN sink with water trap</b>	 <b>ORRSJÖN/BACKSJÖN/RUTSJÖN semi-recessed sink</b> Strainer and water trap included with sink. Add your choice of countertop.	 <b>LERSJÖN countertop sink</b> Strainer and water trap included with sink. Add your choice of countertop.
24" 	<b>25×21¾"</b> 295.169.08	<b>24½×21"</b> 295.170.07	<b>25¼×21¾"</b> 195.170.22	<b>20"</b> ORRSJÖN 495.169.12 BACKSJÖN 295.170.12 RUTSJÖN 495.170.25	<b>15"</b> 095.745.79
24" 	<b>25×21¾"</b> 295.169.08	<b>24½×21"</b> 295.170.07	<b>25¼×21¾"</b> 195.170.22	<b>20"</b> ORRSJÖN 495.169.12 BACKSJÖN 295.170.12 RUTSJÖN 495.170.25	<b>15"</b> 095.745.79
30" 	<b>31×21¾"</b> 895.169.05	<b>30½×21"</b> 095.170.08	<b>31¾×21¾"</b> 995.170.23	<b>20"</b> ORRSJÖN 495.169.12 BACKSJÖN 295.170.12 RUTSJÖN 495.170.25	<b>15"</b> 095.745.79
30" 	<b>31×21¾"</b> 895.169.05	<b>30½×21"</b> 095.170.08	<b>31¾×21¾"</b> 995.170.23	<b>20"</b> ORRSJÖN 495.169.12 BACKSJÖN 295.170.12 RUTSJÖN 495.170.25	<b>15"</b> 095.745.79
36" 	<b>37×21¾"</b> single 695.169.06 double 095.169.09	<b>36½×21"</b> 695.170.10	<b>37¾×21¾"</b> 795.170.24	<b>20"</b> ORRSJÖN 495.169.12 BACKSJÖN 295.170.12 RUTSJÖN 495.170.25	<b>15"</b> 095.745.79
48" 	<b>49×21¾"</b> single 495.169.07 double 895.169.10	<b>48½×21"</b> 495.170.11	N/A	<b>20"</b> ORRSJÖN 495.169.12 BACKSJÖN 295.170.12 RUTSJÖN 495.170.25	<b>15"</b> 095.745.79
48" 	<b>49×21¾"</b> double 895.169.10	<b>48½×21"</b> 495.170.11	N/A	<b>20"</b> ORRSJÖN 495.169.12 BACKSJÖN 295.170.12 RUTSJÖN 495.170.25	<b>15"</b> 095.745.79

# How to choose countertop sink and faucet

See page 18 for details about our bath faucets.

	 Regular faucet	 Tall faucet
<b>Semi-recessed and countertop sink</b> <b>ORRSJÖN/BACKSJÖN/RUTSJÖN semi-recessed sink + countertop</b> 	804.233.50, 905.325.27, 305.325.49, 104.571.93, 805.327.16, 205.328.61, 305.331.53, 204.003.23, 705.332.74	N/A
<b>TÖRNVIKEN countertop sink + countertop</b> 	804.233.50, 905.325.27, 305.325.49, 104.571.93, 805.327.16, 205.328.61, 305.331.53, 204.003.23, 705.332.74	N/A
<b>LERSJÖN countertop sink + countertop</b> 	N/A	005.320.94, 105.320.55, 605.332.55

# How to choose widespread and center set sinks and faucets

 Wide spread sink	 Widespread faucet	 Centerset sink	 Center set faucet
<b>ORRSJÖN widespread sink, semi-recessed</b> 	306.013.64, 006.044.39, 506.013.63	<b>ORRSJÖN double sink, center set</b> 	906.013.61, 706.013.62, 606.044.22, 006.008.32
<b>ORRSJÖN widespread sink</b> 	306.013.64, 006.044.39, 506.013.63	<b>ORRSJÖN center set sink</b> 	906.013.61, 706.013.62, 606.044.22, 006.008.32

## Bath faucet families

### Regular faucets

- BROGRUND
- DALSKÄR
- ENSEN
- GLYPEN
- HAMNSKÄR

•

- PILKÅN
- RUNSKÄR
- SALJEN
- VOXNAN

### Tall faucets

- BROGRUND
- VOXNAN

### Widespread faucet

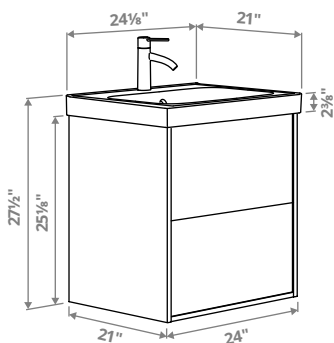
- MACKSJÖN

### Centerset faucet

- MACKSJÖN

# ÄNGSJÖN combinations

Width×Depth×Height. Integrated handles on all ÄNGSJÖN furniture. Each combination below is shown with the DALSKÄR faucet. You have your choice of faucets on page 18.

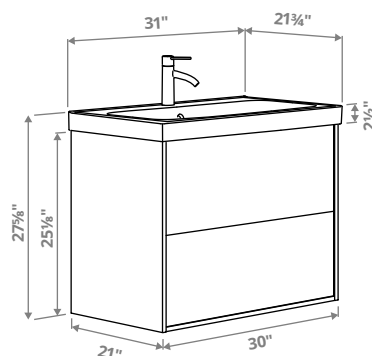


## ÄNGSJÖN/BACKSJÖN Sink cabinet with drawers/sink/faucet, 24 1/8×21×27 1/2".

This combo has two spacious drawers and a sink with crisp edges for a sleek look.

Brown oak effect	695.306.91
High-gloss white	095.306.89
Oak effect	895.306.90

	Widespread	Center set
Brown oak effect	*	595.900.96
High-gloss white	*	095.900.94
Oak effect	*	795.900.95

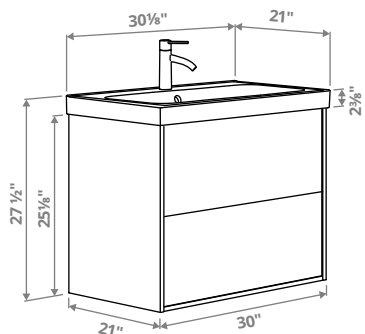


## ÄNGSJÖN/ORRSJÖN Sink cabinet with drawers/sink/faucet, 31×21 3/4×27 7/8".

This combo has two spacious drawers and room on the sink for toothbrush and soap.

Brown oak effect	195.307.16
High-gloss white	695.307.14
Oak effect	395.307.15

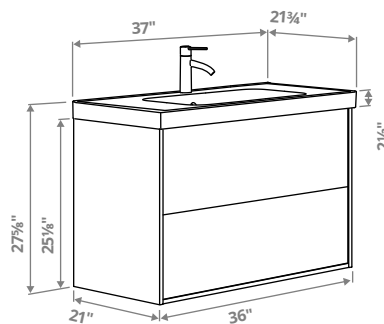
	Widespread	Center set
Brown oak effect	795.901.04	*
High-gloss white	195.901.02	*
Oak effect	995.901.03	*



## ÄNGSJÖN/BACKSJÖN Sink cabinet with drawers/sink/faucet, 30 1/8×21×27 1/2".

This combo has two spacious drawers and a sink with crisp edges for a sleek look.

Brown oak effect	895.307.13
High-gloss white	295.307.11
Oak effect	095.307.12



## ÄNGSJÖN/ORRSJÖN Sink cabinet with drawers/sink/faucet, 37 1/8×21 3/4×27 7/8".

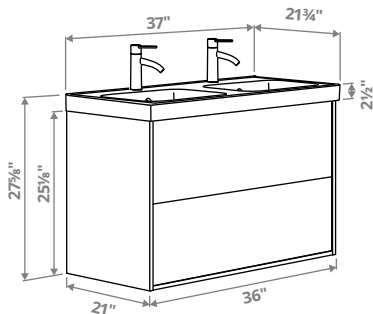
This combo has two spacious drawers and room on the sink for toothbrush and soap.

Brown oak effect	495.307.48
High-gloss white	895.307.46
Oak effect	695.307.47

\*Please see an IKEA coworker for the parts need to build this combination.

# ÄNGSJÖN combinations

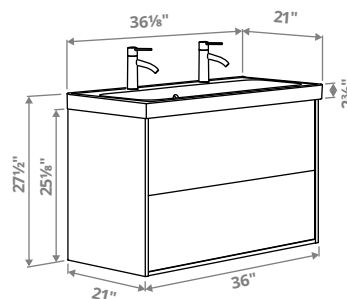
Width×Depth×Height. Integrated handles on all ÄNGSJÖN furniture. Each combination below is shown with the DALSKÄR faucet. You have your choice of faucets on page 18.



## ÄNGSJÖN/ORRSJÖN Sink cabinet with drawers/sink/faucets, 37 1/8×21 3/4×27 5/8".

This combo has two spacious drawers and a double sink that can handle the morning rush.

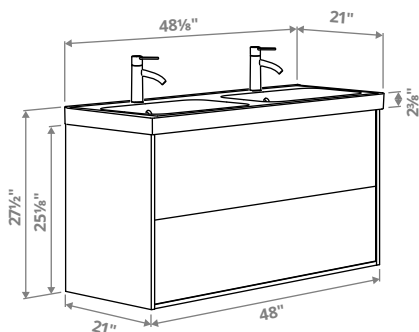
Brown oak effect	995.307.36
High-gloss white	495.307.34
Oak effect	195.307.35



## ÄNGSJÖN/BACKSJÖN Sink cabinet with drawers/sink/ two faucets, 36 1/8×21×27 1/2".

This combo has two spacious drawers and a large, sleek sink with room for two.

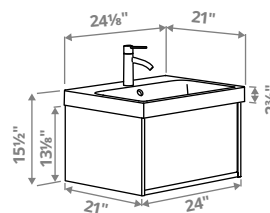
Brown oak effect	795.307.42
High-gloss white	195.307.40
Oak effect	995.307.41



## ÄNGSJÖN/BACKSJÖN Sink cabinet with drawers/sink/ two faucets, 48 1/8×21×27 1/2".

This combo has two spacious drawers and a double sink that can handle the morning rush.

Brown oak effect	795.307.56
High-gloss white	295.307.54
Oak effect	995.307.55



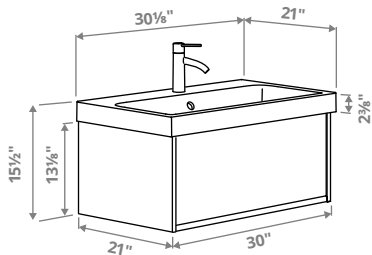
## ÄNGSJÖN/BACKSJÖN Sink cabinet with drawer/sink/faucet, 24 1/8×21×15 1/2".

This combo has one drawer with full storage capacity and a sleek sink with crisp edges.

Brown oak effect	095.307.07
High-gloss white	495.307.05
Oak effect	295.307.06

# ÄNGSJÖN combinations

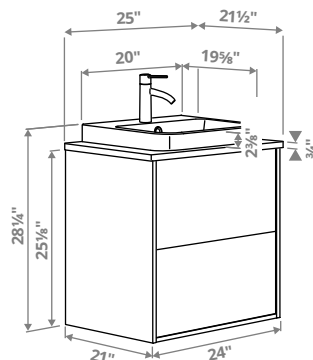
Width×Depth×Height. Integrated handles on all ÄNGSJÖN furniture. Each combination below is shown with the DALSKÄR faucet. You have your choice of faucets on page 18.



## ÄNGSJÖN/BACKSJÖN Sink cabinet with drawer/sink/faucet, 30 1/8×21×15 1/2".

This combo has one drawer with full storage capacity and a sleek sink with crisp edges.

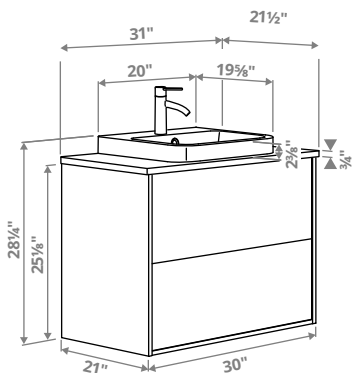
Brown oak effect	295.307.30
High-gloss white	895.307.27
Oak effect	695.307.28



## ÄNGSJÖN/BACKSJÖN Sink cabinet with drawers/sink/faucet, 25×21 1/2×28 1/4".

This sink cabinet with semi-recessed sink and countertop creates a personal and stylish centerpiece in your bathroom.

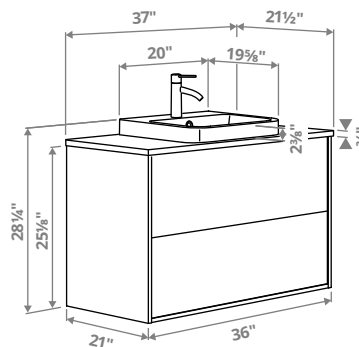
Brown oak effect/Black marble effect	995.320.09
Brown oak effect/Gray stone effect	395.320.12
Brown oak effect/White marble effect	795.320.05
High-gloss white/Black marble effect	395.320.07
High-gloss white/Bamboo	995.320.14
High-gloss white/Brown walnut effect	195.320.13
High-gloss white/Gray stone effect	795.320.10
High-gloss white/White marble effect	295.320.03
Oak effect/Black marble effect	195.320.08
Oak effect/Gray stone effect	595.320.11
Oak effect/White marble effect	095.320.04



## ÄNGSJÖN/BACKSJÖN Sink cabinet with drawers/sink/faucet, 31×21 1/2×28 1/4".

This sink cabinet with semi-recessed sink and countertop creates a personal and stylish centerpiece in your bathroom.

Brown oak effect/Black marble effect	195.340.26
Brown oak effect/Gray stone effect	595.340.29
Brown oak effect/White marble effect	395.340.25
High-gloss white/Black marble effect	995.340.27
High-gloss white/Bamboo	795.340.33
High-gloss white/Brown walnut effect	995.340.32
High-gloss white/Gray stone effect	395.340.30
High-gloss white/White marble effect	895.340.23
Oak effect/Black marble effect	795.340.28
Oak effect/Gray stone effect	195.340.31
Oak effect/White marble effect	695.340.24



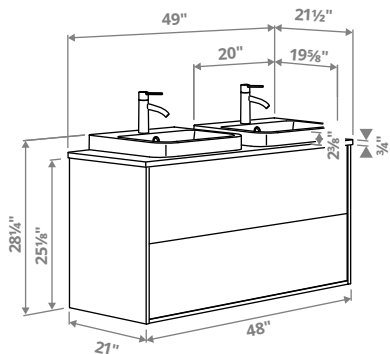
## ÄNGSJÖN/BACKSJÖN Sink cabinet with drawers/sink/faucet, 37×21 1/2×28 1/4".

This sink cabinet with semi-recessed sink and countertop creates a personal and stylish centerpiece in your bathroom.

Brown oak effect/Black marble effect	895.355.84
Brown oak effect/Gray stone effect	395.355.86
Brown oak effect/White marble effect	795.355.70
High-gloss white/Black marble effect	895.355.79
High-gloss white/Bamboo	295.355.82
High-gloss white/Brown walnut effect	495.355.81
High-gloss white/Gray stone effect	695.355.80
High-gloss white/White marble effect	195.355.68
Oak effect/Black marble effect	095.355.83
Oak effect/Gray stone effect	595.355.85
Oak effect/White marble effect	995.355.69

# ÄNGSJÖN combinations

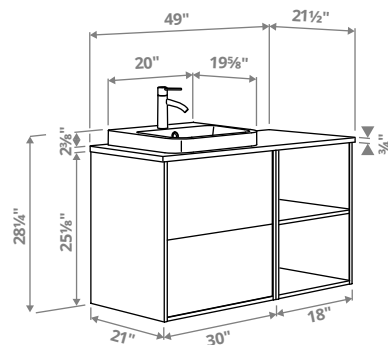
Width×Depth×Height. Integrated handles on all ÄNGSJÖN furniture. Each combination below is shown with the DALSKÄR faucet. You have your choice of faucets on page 18.



## ÄNGSJÖN/BACKSJÖN sink cabinet with drawers/sinks/ two faucets, 49×21½×28¼".

This sink cabinet with two semi-recessed sinks and countertop creates a personal and stylish centerpiece in your bathroom.

Brown oak effect/Black marble effect	895.356.02
Brown oak effect/Gray stone effect	695.356.03
Brown oak effect/White marble effect	995.355.93
High-gloss white/Black marble effect	895.355.98
High-gloss white/Bamboo	095.356.01
High-gloss white/Brown walnut effect	295.356.00
High-gloss white/Gray stone effect	695.355.99
High-gloss white/White marble effect	395.355.91
Oak effect/Black marble effect	495.356.04
Oak effect/Gray stone effect	195.356.05
Oak effect/White marble effect	195.355.92



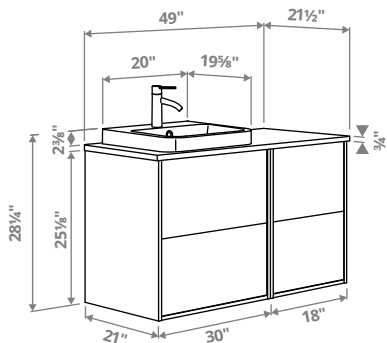
## ÄNGSJÖN/BACKSJÖN Sink cabinet/sink/faucet, 49×21½×28¼".

This solution has a little of everything. Both open and closed storage for decorative items and essentials, countertop space to keep things handy and the warm feel of wood to add character to your space.

Brown oak effect/Black marble effect	195.363.94
Brown oak effect/Gray stone effect	695.363.96
Brown oak effect/White marble effect	595.363.92
High-gloss white/Brown oak effect/White marble effect	795.363.91
High-gloss white/Oak effect/White marble effect	395.363.88
Oak effect/Black marble effect	395.363.93
Oak effect/Gray stone effect	895.363.95
Oak effect/White marble effect	995.363.90

# ÄNGSJÖN combinations

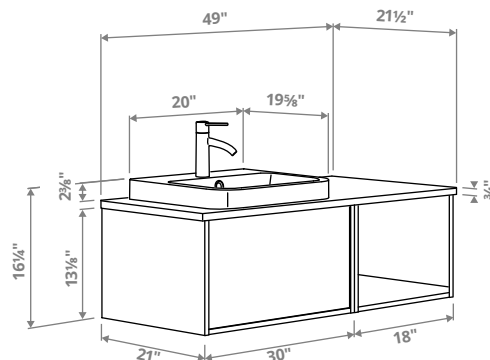
Width×Depth×Height. Integrated handles on all ÄNGSJÖN furniture. Each combination below is shown with the DALSKÄR faucet. You have your choice of faucets on page 18.



## ÄNGSJÖN/BACKSJÖN Sink cabinet/sink/faucet, 49×21½×28¼".

When you like to keep things organized and out of sight. Here are four drawers in two sizes for your personal care items. The countertop adds character and is ideal for having things handy while getting ready.

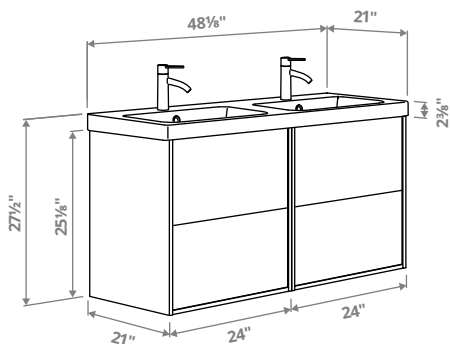
Brown oak effect/Black marble effect	495.364.01
Brown oak effect/Gray stone effect	295.364.02
Brown oak effect/White marble effect	695.364.00
High-gloss white/Black marble effect	095.364.03
High-gloss white/Bamboo	995.364.08
High-gloss white/Brown walnut effect	195.364.07
High-gloss white/Gray stone effect	895.364.04
High-gloss white/White marble effect	495.363.97
Oak effect/Black marble effect	595.364.05
Oak effect/Gray stone effect	395.364.06
Oak effect/White marble effect	295.363.98



## ÄNGSJÖN/BACKSJÖN Sink cabinet/sink/faucet, 49×21½×16¼".

This solution offers just enough storage for your most important everyday gear. A stylish and oh so cool combo with plenty of character thanks to the countertop and open wooden storage underneath.

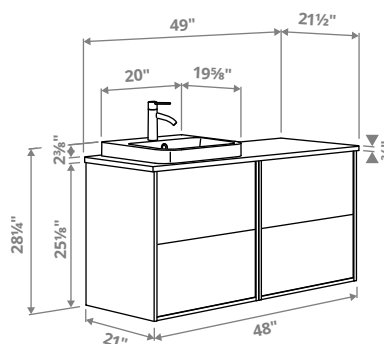
Brown oak effect/Black marble effect	295.364.16
Brown oak effect/Gray stone effect	095.364.17
Brown oak effect/White marble effect	195.364.12
High-gloss white/Brown oak effect/White marble effect	595.364.10
High-gloss white/Oak effect/White marble effect	395.364.11
Oak effect/Black marble effect	895.364.18
Oak effect/Gray stone effect	495.364.20
Oak effect/White marble effect	995.364.13



## ÄNGSJÖN/BACKSJÖN Sink cabinet/sink/ two faucets, 48½×21×27½".

What do you get when you combine two of everything? Generous storage space and double the washing space! A brilliant solution with plenty of space for two or more to get ready in the morning.

Brown oak effect	095.357.43
High-gloss white	495.357.41
Oak effect	295.357.42



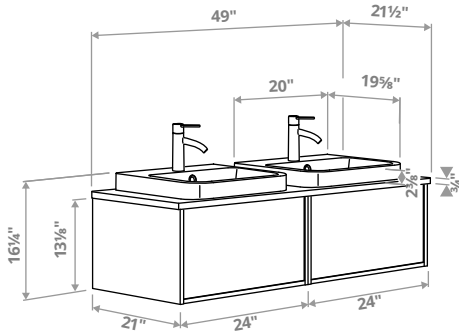
## ÄNGSJÖN/BACKSJÖN Sink cabinet/sink/faucet, 49×21½×28¼".

In a shared bathroom, this solution offers your own private drawer – or two. The sink is paired with a roomy countertop where you can place things while getting ready for the day ahead.

Brown oak effect/Black marble effect	695.363.58
Brown oak effect/Gray stone effect	695.363.63
Brown oak effect/White marble effect	895.363.57
High-gloss white/Black marble effect	095.363.61
High-gloss white/Bamboo	795.363.67
High-gloss white/Brown walnut effect	995.363.66
High-gloss white/Gray stone effect	495.363.64
High-gloss white/White marble effect	295.363.55
Oak effect/Black marble effect	895.363.62
Oak effect/Gray stone effect	195.363.65
Oak effect/White marble effect	095.363.56

# ÄNGSJÖN combinations

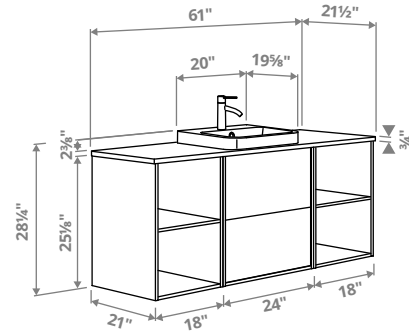
Width×Depth×Height. Integrated handles on all ÄNGSJÖN furniture. Each combination below is shown with the DALSKÄR faucet. You have your choice of faucets on page 18.



## ÄNGSJÖN/BACKSJÖN Sink cabinet/sinks/two faucets, 49×21½×16¼".

All good things come in twos... Here you have perfect symmetry with two sink cabinets, two drawers and two sinks. Go ahead and grab your partner and work your way through your morning routines together.

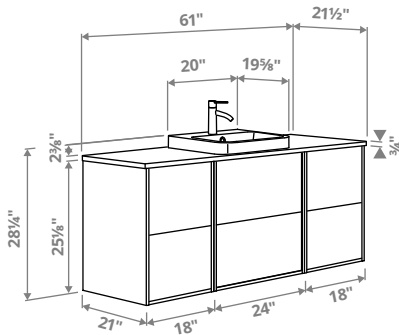
Brown oak effect/Black marble effect	695.363.77
Brown oak effect/Gray stone effect	495.363.78
Brown oak effect/White marble effect	295.363.79
High-gloss white/Black marble effect	095.363.80
High-gloss white/Bamboo	595.363.87
High-gloss white/Brown walnut effect	795.363.86
High-gloss white/Gray stone effect	895.363.81
High-gloss white/White marble effect	695.363.82
Oak effect/Black marble effect	495.363.83
Oak effect/Gray stone effect	295.363.84
Oak effect/White marble effect	995.363.85



## ÄNGSJÖN/BACKSJÖN Sink cabinet/sink/faucet, 61×21½×28¼".

A solution with closed storage and sink placed in the middle, surrounded by open cabinets and countertop space on each side. The warm wooden look invites you to relax.

Brown oak effect/White marble effect	595.358.73
High-gloss white/Brown oak effect/White marble effect	895.358.00
High-gloss white/Oak effect/White marble effect	295.357.99
Oak effect/Black marble effect	395.358.74



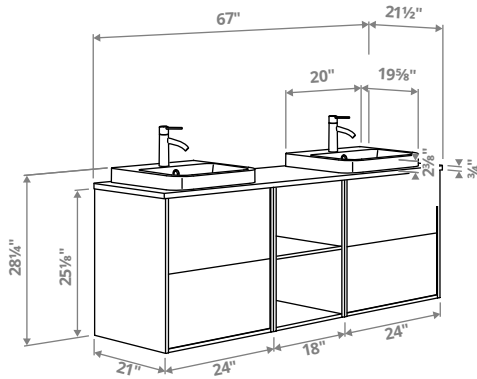
## ÄNGSJÖN/BACKSJÖN Sink cabinet/sink/faucet, 61×21½×28¼".

A drawer for each family member or organize your own special way of finding things – either way, there's plenty of room. The counterspace comes in handy for placing things while getting ready.

High-gloss white/Black marble effect	495.358.02
High-gloss white/Brown walnut effect	295.358.03
High-gloss white/White marble effect	695.358.01

# ÄNGSJÖN combinations

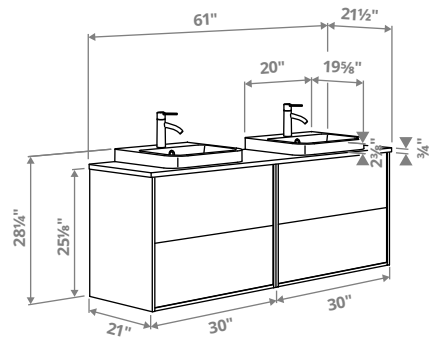
Width×Depth×Height. Integrated handles on all ÄNGSJÖN furniture. Each combination below is shown with the DALSKÄR faucet. You have your choice of faucets on page 18.



## ÄNGSJÖN/BACKSJÖN Sink cabinet/sinks/faucets, 67×21½×28¼".

A mix of open and closed storage and shared countertop space between the two sinks – an ideal set-up that prevents queues during the morning rush. Functional and harmonious with a warm wooden look.

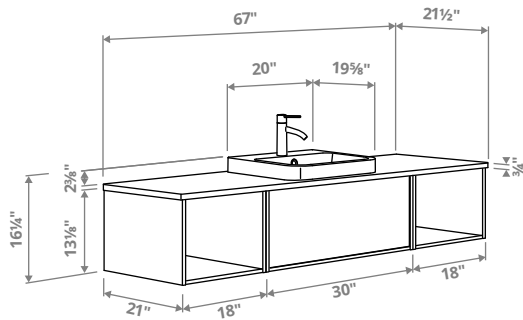
Brown oak effect/White marble effect	695.359.81
High-gloss white/Brown oak effect/White marble effect	295.359.83
High-gloss white/Oak effect/White marble effect	495.359.82
Oak effect/Black marble effect	095.359.84



## ÄNGSJÖN/BACKSJÖN sink cabinet/sinks/two faucets, 61×21½×28¼".

Your own personal space in a shared space. A balanced solution with plenty of drawers for each and every need and two sinks that work in unison to ensure everyone gets their teeth brushed in time.

Brown oak effect/Black marble effect	895.359.80
Brown oak effect/White marble effect	695.359.76
High-gloss white/Black marble effect	495.359.77
High-gloss white/Brown walnut effect	795.359.85
High-gloss white/White marble effect	195.359.74
Oak effect/Black marble effect	295.359.78
Oak effect/White marble effect	895.359.75



## ÄNGSJÖN/BACKSJÖN Sink cabinet/sink/faucet, 67×21½×16¼".

This solution with one drawer and open cabinets on each side appears to be floating and gives the illusion of more space. The sink takes center-stage, surrounded by counterspace and a warm wooden look.

Brown oak effect/White marble effect	195.359.88
High-gloss white/Brown oak effect/White marble effect	595.359.86
High-gloss white/Oak effect/White marble effect	395.359.87
Oak effect/White marble effect	395.359.92

# ÄNGSJÖN all the parts

Width×Depth×Height. Integrated handles on all ÄNGSJÖN furniture. Hinges and drawers comes with integrated dampers.



**ÄNGSJÖN Sink cabinet with drawer, 24×21×13½".**  
Generous, full drawer storage capacity for all your essentials the plumbing sits nicely out of sight behind the drawer. The drawer opens all the way for a good overview.

Brown oak effect	205.353.79
High-gloss white	905.353.71
Oak effect	805.353.76



**ÄNGSJÖN Sink cabinet with drawer, 30×21×13½".**  
Generous, full drawer storage capacity for all your essentials the plumbing sits nicely out of sight behind the drawer. The drawer opens all the way for a good overview.

Brown oak effect	105.353.89
High-gloss white	405.353.83
Oak effect	705.353.86



**ÄNGSJÖN Sink cabinet with drawers, 18×21×25½".**  
Generous, full drawer storage capacity for all your essentials the plumbing sits nicely out of sight behind the drawers. Two legs can be added.

Brown oak effect	305.353.31
High-gloss white	505.353.25
Oak effect	905.353.28



**ÄNGSJÖN Sink cabinet with drawers, 24×21×25½".**  
Generous, full drawer storage capacity for all your essentials the plumbing sits nicely out of sight behind the drawers. Two legs can be added.

Brown oak effect	405.353.40
High-gloss white	705.353.34
Oak effect	005.353.37



**ÄNGSJÖN Sink cabinet with drawers, 30×21×25½".**  
Generous, full drawer storage capacity for all your essentials the plumbing sits nicely out of sight behind the drawers. Two legs can be added.

Brown oak effect	505.353.49
High-gloss white	805.353.43
Oak effect	105.353.46



**ÄNGSJÖN Sink cabinet with drawers, 36×21×25½".**  
Generous, full drawer storage capacity for all your essentials the plumbing sits nicely out of sight behind the drawers. Two legs can be added.

Brown oak effect	605.353.58
High-gloss white	905.353.52
Oak effect	205.353.55



**ÄNGSJÖN Sink cabinet with drawers, 48×21×25½".**  
Generous, full drawer storage capacity for all your essentials the plumbing sits nicely out of sight behind the drawers. Two legs can be added.

Brown oak effect	505.353.68
High-gloss white	005.353.61
Oak effect	105.353.65



**ÄNGSJÖN High cabinet with door, 18×15×77".**  
Generous storage in a narrow space that keeps towels, blow dryer and other bathroom essentials dust-free and out of sight. Includes three wooden shelves and three glass shelves. Two legs can be added.

Brown oak effect	205.353.22
High-gloss white	405.353.16
Oak effect	805.353.19



**ÄNGSJÖN Wall cabinet with door, 18×6×37".**  
This shallow wall cabinet with four adjustable glass shelves provides a good overview of all your things.

Brown oak effect	105.353.13
High-gloss white	305.353.07
Oak effect	705.353.10

# Other furniture

Width×Depth×Height. Hinges and drawers comes with integrated dampers.



**HAGAÅN Open cabinet**, 18×21×13". There is a concealed space for piping in the back of the cabinet.

Brown oak effect	805.355.31
Oak effect	905.355.21



**HAGAÅN Open cabinet**, 18×21×25½". There is a concealed space for piping in the back of the cabinet. Two legs can be added.

Brown oak effect	905.355.35
Oak effect	605.355.13



**HAGAÅN Wall open cabinet**, 18×6×37". This shallow wall cabinet with shelves provides a good overview of all your things and puts often-used items within easy reach.

Brown oak effect	105.355.39
Oak effect	005.355.25



**LETTAN Mirror cabinet** Mirrored doors and sides on the inside and outside enable viewing from different angles. White

24×6×37"	805.354.99
30×6×37"	905.355.02
36×6×37"	205.355.05



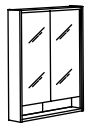
**LETTAN Mirror** Fittings are adjustable in depth, providing space for lighting cords. Can be hung horizontally or vertically.

24×37"	805.523.23
30×37"	605.523.24
36×37"	305.523.30
48×37"	905.523.32



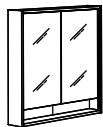
**FAXÅLVEN Mirror cabinet with built-in lighting**, 24×6×37". Integrated lighting around the outside and the inside. Dimmable with RODRET wireless dimmer/power switch, sold separately.

Brown oak effect	995.168.20
Oak effect	395.168.23
White	695.168.26



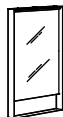
**FAXÅLVEN Mirror cabinet with built-in lighting**, 30×6×37". Integrated lighting around the outside and the inside. Dimmable with RODRET wireless dimmer/power switch, sold separately.

Brown oak effect	795.168.21
Oak effect	195.168.24
White	495.168.27



**FAXÅLVEN Mirror cabinet with built-in lighting**, 36×6×37". Integrated lighting around the outside and the inside. Dimmable with RODRET wireless dimmer/power switch, sold separately.

Brown oak effect	595.168.22
Oak effect	895.168.25
White	295.168.28



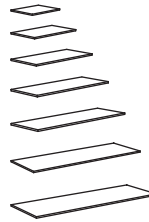
**FAXÅLVEN Mirror with built-in lighting** Light inside the metal frame around the mirror. Dimmable with RODRET wireless dimmer/power switch, sold separately. White

24×37"	595.167.75
30×37"	395.167.76



**FAXÅLVEN Mirror with built-in lighting** Lighting all around the mirror and one light source on the mirror. Dimmable with RODRET wireless dimmer/power switch, sold separately.

31½"	195.167.77
39¾"	995.167.78



**TOLKEN Countertop**, foil finish. Thickness ¾". Laminate countertops are highly durable and easy to maintain giving your bathroom a complete, personal look.

### White marble effect

25×21½"	205.553.86
31×21½"	405.553.85
37×21½"	705.553.84
49×21½"	805.553.88
61×21½"	905.553.83
67×21½"	005.553.87

### Black marble effect

25×21½"	105.553.82
31×21½"	305.553.81
37×21½"	505.553.80
49×21½"	905.553.78
61×21½"	705.553.79
67×21½"	105.553.77

### Gray stone effect

25×21½"	205.551.07
31×21½"	405.551.06
37×21½"	605.551.05
49×21½"	805.551.09

**TOLKEN Countertop**, laminate. Thickness ¾". Laminate countertops create bold look that feels warm and inviting.

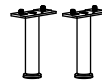
### Brown walnut effect

25×21½"	805.683.24
31×21½"	505.683.25
37×21½"	305.683.26
49×21½"	105.683.27
61×21½"	905.683.28
67×21½"	705.683.34

**ÅLSKEN Countertop**, thick veneer. Thickness ¾". Countertops in thick veneer are made with a thick layer of wood veneer, each with unique grain patterns.

### Bamboo

25×21½"	805.551.47
31×21½"	705.551.43
37×21½"	505.551.44
49×21½"	205.551.45



**ALMAÅN Legs** Adjustable height 4¾-7¾".

Stainless steel	205.349.16	<b>2pk</b>
-----------------	------------	------------



**ALMAÅN Legs** Height 4". Painted solid beech.

Light Gray	705.355.41	<b>2pk</b>
White	905.355.40	<b>2pk</b>



**ALMAÅN Legs** Height 7". Painted solid beech.

Light Gray	305.351.33	<b>2pk</b>
White	505.351.32	<b>2pk</b>

# Widespread and Center Set Sinks and Faucets

Width×Depth. RÄNNILEN water trap included, but sold and packaged separately.

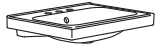
## Widespread: All The Parts



### ORRSJÖN Semi-recessed sink, widespread

For use with 8" widespread bathroom faucet. Fits in HAVBÄCK, ÄNGSJÖN, TÄNNFORSEN and HEMNES bathroom sink cabinets. Includes polished stainless steel sink pop-up plug. Water trap sold separately. White ceramic. Height 2½".

W20×D19¾"	306.054.42
-----------	------------



### ORRSJÖN Sink, widespread

For use with 8" widespread bathroom faucet. Fits in HAVBÄCK, ÄNGSJÖN, TÄNNFORSEN and HEMNES bathroom sink cabinets. Includes polished stainless steel sink pop-up plug. Water trap sold separately. White ceramic. Height 2½".

W31×D21¾"	706.054.40
-----------	------------



**MACKSJÖN Widespread sink faucet** Fits sinks with pre-drilled 8" hole spread. Built-in pressure-compensating aerator provides a clean and streamlined water flow that helps save water and energy. Durable ceramic disc valves in the handles secure long-lasting usage. Spout: Stainless steel. Handle: Chrome-plated zinc. Height 8¾".

Black	306.013.64
Chrome-plated	506.013.63
Brushed nickel	006.044.39

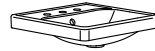
## Center Set: All The Parts



### ORRSJÖN Double sink, center set

For use with two 4" center set bathroom faucets. Fits in HAVBÄCK, ÄNGSJÖN, TÄNNFORSEN and HEMNES bathroom sink cabinets. Includes polished stainless steel sink pop-up plug. Water trap sold separately. White ceramic. Height 2½".

W49×D21¾"	506.054.41
-----------	------------



### ORRSJÖN Sink, center set

For use with 4" center set bathroom faucet. Fits in HAVBÄCK, ÄNGSJÖN, TÄNNFORSEN and HEMNES bathroom sink cabinets. Includes polished stainless steel sink pop-up plug. Water trap sold separately. White ceramic. Height 2½".

W25×D21¾"	106.060.32
-----------	------------

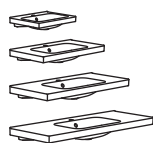


**MACKSJÖN Center set sink faucet** Fits sinks with pre-drilled 4" hole spread. Built-in pressure-compensating aerator provides a clean and streamlined water flow that helps save water and energy. Durable ceramic disc valves in the handles secure long-lasting usage. Spout: Stainless steel. Handle: Chrome-plated zinc. Height 9".

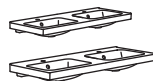
Black	906.013.61
Brass-color	706.013.62
Chrome-plated	006.008.32
Brushed nickel	606.044.22

# Sinks

Width×Depth. RÄNNILEN water trap included in combination but sold and packaged separately.



<b>ORRSJÖN Sink</b> White ceramic. Height 2½".	
25×21¾"	295.169.08
31×21¾"	895.169.05
37×21¾"	695.169.06
49×21¾"	495.169.07



<b>ORRSJÖN Double sink</b> White ceramic. Height 2½".	
37×21¾"	095.169.09
49×21¾"	895.169.10



<b>ORRSJÖN Semi-recessed sink</b> White ceramic. To be completed with a countertop. Height 2½".	
20×19¾"	495.169.12



<b>ORRSJÖN Deep sink</b> White ceramic. Height 3¾". Can only be used together with sink cabinet with doors.	
25×21¾"	295.169.13



<b>BACKSJÖN Sink</b> White crushed marble. Height 2¾".	
24½×21"	295.170.07
30½×21"	095.170.08



<b>BACKSJÖN Sink</b> White crushed marble. Two faucet holes. Height 2¾".	
36½×21"	695.170.10



<b>BACKSJÖN Double sink</b> White crushed marble. Height 2¾".	
48½×21"	495.170.11



<b>BACKSJÖN Semi-recessed sink</b> Crushed marble. To be completed with a countertop. 20×19¾". Height 2¾".	
White	295.170.12
Black	495.754.02



<b>RUTSJÖN Sink</b> White ceramic. Height 4¾".	
25¼×21⅞"	195.170.22
31⅞×21⅞"	995.170.23
37⅞×21⅞"	795.170.24



# Countertop sinks

Width×Depth. Water trap included.



<b>RUTSJÖN Semi-recessed sink</b> White ceramic. To be completed with a countertop. Height 4¾".	
20×19¾"	495.170.25



<b>TÖRNVIKEN Countertop sink</b> White ceramic. To be completed with a countertop. Height 5½".	
Ø17¾"	302.915.16



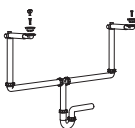
<b>LERSJÖN Countertop sink</b> White crushed marble. To be completed with a countertop and a tall faucet. Height 5½".	
Ø15"	095.745.79

# Water traps

Included with all sinks shown above, but sold and packaged separately.



<b>RÄNNILEN Water trap, 1-bowl</b> Fits all IKEA single bowl semi-recessed and integrated sinks. Fits Ø1½" and 1¾" outlets, both in wall and floor. RÄNNILEN water trap is designed to fit inside a cabinet and still allow space for a full-sized drawer. It's easy to remove for cleaning and just as easy to replace.	
For 1-bowl sink	504.224.13



<b>RÄNNILEN Water trap, 2-bowls</b> Fits Ø1½" and 1¾" outlets, both in wall and floor. RÄNNILEN water trap is designed to fit inside a cabinet and still allow space for a full-sized drawer. It's easy to remove for cleaning and just as easy to replace.	
For 2-bowl sinks	205.624.38

# Faucets



**SALJEN Sink faucet** Plastic. Height 4¾".  
 Black 204.003.23



**PILKÅN Sink faucet** Brass. Height 3¾".  
 Chrome-plated 205.328.61



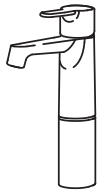
**ENSEN Sink faucet** Brass. Height 4¾".  
 Chrome-plated 305.325.49



**DALSKÅR Sink faucet** Brass. Height 7½".  
 Chrome-plated 905.325.27



**BROGRUND Sink faucet with sensor** Brass. Height 5½".  
 Chrome-plated 804.233.50



**BROGRUND Sink faucet, tall** Brass. Height 11".  
 Chrome-plated 005.320.94



**RUNSKÅR Sink faucet** Brass. Height 3¾".  
 Chrome-plated 305.331.53



**HAMNSKÅR Sink faucet** Brass. Height 7½".  
 Chrome-plated 805.327.16



**VOXNAN Sink faucet** Brass. Height 7½".  
 Chrome-plated 705.332.74



**VOXNAN Sink faucet, tall** Brass. Height 11¾".  
 Chrome-plated 605.332.55

# Accessories



**VISSLAÅN Box with compartments**, 12¾×12¼×3¼".  
 Small compartments practical for sorting items such as hair accessories and jewelry.  
 Gray 005.621.04



**VISSLAÅN Boxes with lids** Includes: one box (8×8×3½"), one box (8×4×3½") and three boxes (4×4×3½").  
 Gray 905.545.38 **set of 5**



**VISSLAÅN Drawer organizer**, 13¾×4¼×1".  
 Gray 405.621.16



**VISSLAÅN Drawer organizers**  
 Includes: one tray, (6½×3½×1"), one bottle holder (6½×4¾×3½") and one toothbrush holder (2¾×3¾×4½").  
 Gray 205.621.17 **set of 3**



**VISSLAÅN Hanging organizer**  
 Gray 806.145.47 **set of 2**



**VISSLAÅN Tray** (14×12")  
 Gray 606.214.74

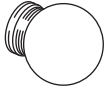
# Lighting for ÄNGSJÖN

## Ceiling, wall and cabinet lighting



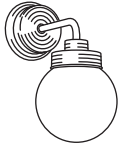
**FRIHULT Ceiling lamp** The glass shade provides balanced general lighting throughout the room. Light bulb sold separately. IKEA recommends LED bulb E12 chandelier opal white. Ø5½", H9¾".

Stainless steel 304.316.49



**FRIHULT Ceiling/wall lamp** The glass shade provides balanced general lighting throughout the room. Light bulb sold separately. IKEA recommends LED bulb E12 chandelier opal white. Ø6¼", H7½".

Stainless steel 704.316.14



**FRIHULT Wall lamp** A versatile lamp that can be mounted facing upwards or downwards, on its own above the mirror or as a pair with one on each side. Light bulb sold separately. IKEA recommends LED bulb E12 chandelier opal white. Ø5½", W9×H11".

Stainless steel 704.316.28



**VÄTHULT LED cabinet/mirror light** Can be placed above a mirror or on top of a mirror cabinet to get a good, glare-free light. L14".

Aluminum-color 404.675.53



**FLASKPOST LED cabinet lighting** LED lighting with a slim, minimalist design and an adjustable lamp head gives you good, glare-free light when applying make-up or shaving. Perfect to put on a cabinet or the wall above the bathroom mirror. Chrome-plated

22" 305.910.44

32" 605.915.37



**KABOMBA LED ceiling lamp** Ceiling lamp in a modern art deco style. Perfect for bathrooms where you need a good general light. Ø14", H4".

Matte black 604.898.13



**KABOMBA LED wall lamp, dimmable** Can be placed on its own above a mirror or as a pair with one lamp on each side. The lamp can be dimmed by using the button on the side. Ø6", H19".

Matte black 104.898.20



**KABOMBA LED wall lamp with mirror, dimmable** Can be placed on one or both sides of a mirror. The lamp can be dimmed by using the button on the side. The small removable mirror can be placed anywhere on the lamp and enlarges the reflection – ideal for shaving or putting on make-up. Ø8".

Matte black 004.898.06



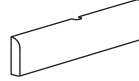
**HAVSDUN LED wall lamp, dimmable** Can be placed on its own above a mirror or as a pair with one lamp on each side. The frosted glass shade spreads a soft light that you can dim. W4×D5×H10".

White/frosted glass 204.992.58



**BILRESA Remote control, smart** This remote control has dual buttons to make it easier to operate your smart products. Based on the universal standard, Matter, you can manage your smart light sources with a touch of a button.

White 806.178.76



**SILVERGLANS Driver** 30W. Wireless control. Approved for use in the bathroom.

White 504.748.26

## Drawer lighting



**KÖLVATTEN LED lighting strip with sensor** Built-in LED. The light switches on and off automatically when you open or close the drawer so no energy is wasted. Or choose to switch on/off manually. Batteries are sold separately. IKEA recommends LADDA rechargeable batteries.

12" (requires 2-AA batteries) 705.653.40

20" (requires 3-AA batteries) 305.719.51

28" (requires 4-AA batteries) 505.719.74



**LADDA Rechargeable batteries** Reduce waste and save money by recharging your batteries. Charging and reusing batteries is a good choice for the environment and practical too since you always have batteries at hand when you need them.

AA 2450mAh HR06 1.2V 505.046.92 4pk



### STENKOL Battery charger

Four individual charging channels allows you to charge one or up to four batteries at a time and to mix both AA and AAA batteries. The charger will stop charging when the batteries are fully charged. Charges 1-4 AA and/or AAA batteries at the same time.

Gray-green 505.065.25

# Services

We offer a range of services to help you with everything from putting it together to getting it home. Of course, the more you do yourself, the lower the price will be. And the more we do for you, the more you can sit back and relax!

10



## Delivery service

Whether you're shopping in the store or online, and no matter how big the purchase, we can help do the heavy lifting and arrange delivery, by an Independent Service Provider, to your home or business.

## TaskRabbit Assembly service

All IKEA products are designed to be assembled by you, but you don't have to. We've partnered with TaskRabbit to connect you with a network of independent 'Taskers' who can provide quick and convenient assembly and mounting services for your IKEA purchases made online and in stores. You can schedule assembly service for as soon as the same day, with the Tasker of your choice. Visit [TaskRabbit.com/IKEA](https://TaskRabbit.com/IKEA) or see a co-worker for more details.

## It's ok to change your mind

You have 365 days to return your purchase. Keep your receipt safe to make returns easier. You're free to change your mind. Return unused items in their original packaging within 365 days together with proof of purchase for a full refund.

Services and prices may vary, please see [IKEA.us/services](https://IKEA.us/services) or talk to us in your local IKEA store.

# Guidance

Enjoy fast and easy guidance on the way to your new IKEA bathroom. Below you find brochures and tools that will assist you in every step of the journey. All materials are available at your local IKEA store or online at [IKEA.us](https://IKEA.us)

## Bathroom brochure

A brochure full of inspirational pictures of bathrooms in all styles and sizes. Here you'll find everything from full-sized bathrooms to all those little extras that make everyday life in the bathroom easier and more fun. View online at [IKEA.us/brochure](https://IKEA.us/brochure)

## Bathroom installation guide

Our bathroom installation guide gives you tips and step-by-step instructions on how to install your bathroom on your own. Visit [IKEA.us/buyingguide](https://IKEA.us/buyingguide) to see the bathroom installation guide.

Just remember, you can do it all by yourself, but you don't have to. Read more about our services [IKEA.us/services](https://IKEA.us/services).

## IKEA.us

On our webpage you'll find lots of inspiration and ideas to get the most out of your ÄNGSJÖN bathroom, whether it's a new one or an old that you want to freshen up. Plus, here you'll find all products that you can imagine to personalise and create the bathroom of your dreams.

## IKEA Bathroom Planner

Create your ÄNGSJÖN bathroom from the ground up in a 3D environment where you will get a price for every unit and for the complete bathroom. You can print out drawings and product lists at home, or save them to the IKEA web site. At your local IKEA store, you can discuss your design with one of our bathroom experts for further advice and support. Learn more at [IKEA.us/bathroomplanner](https://IKEA.us/bathroomplanner).