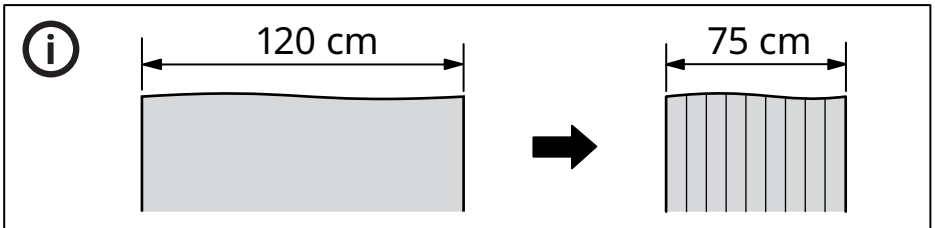
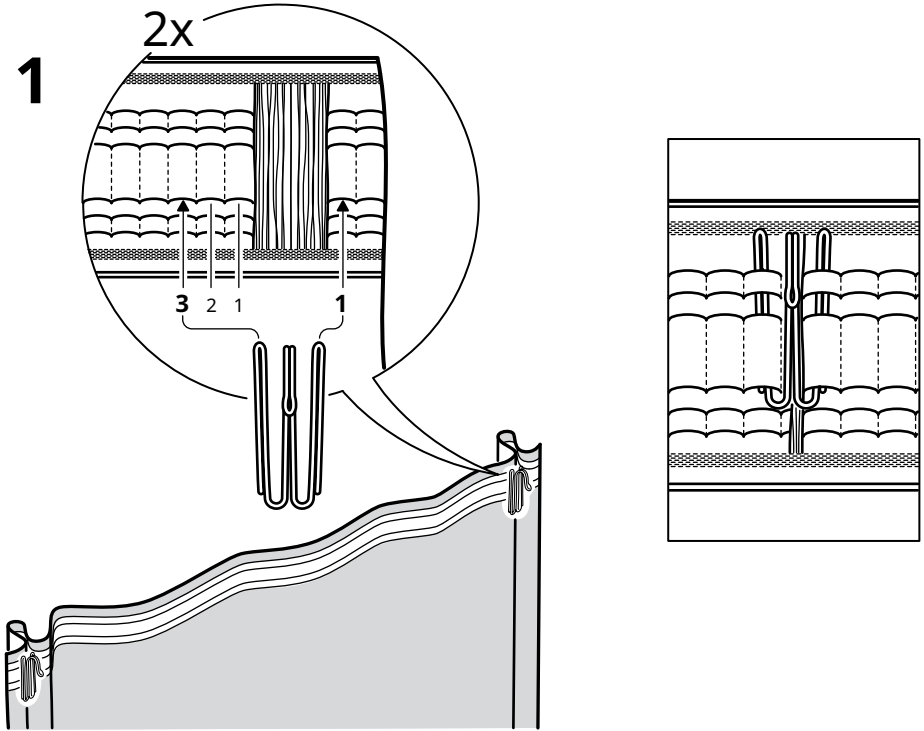
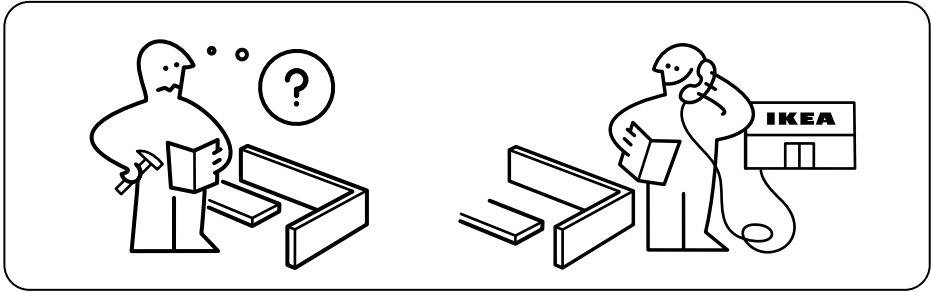
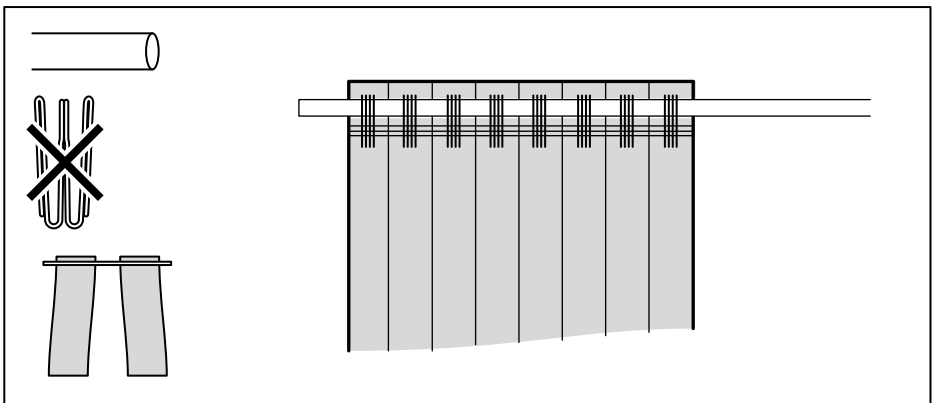
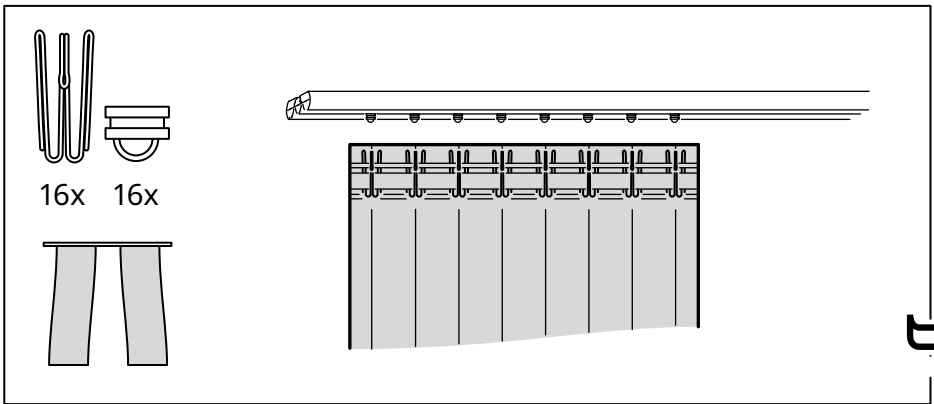
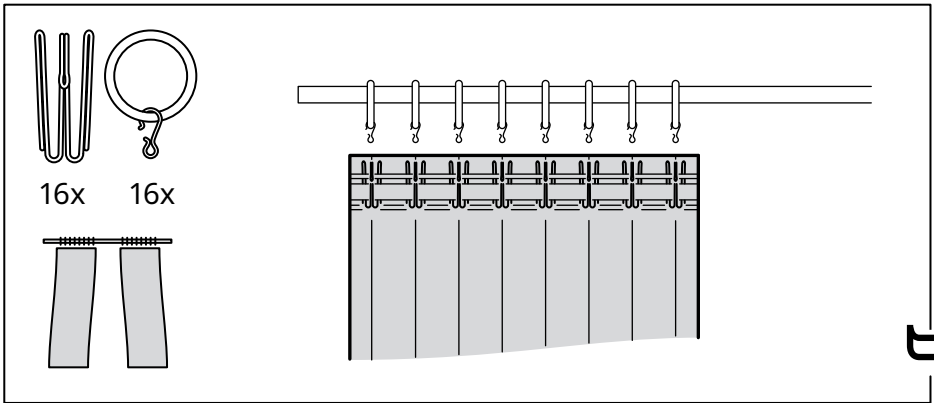




Design and Quality  
IKEA of Sweden





2

