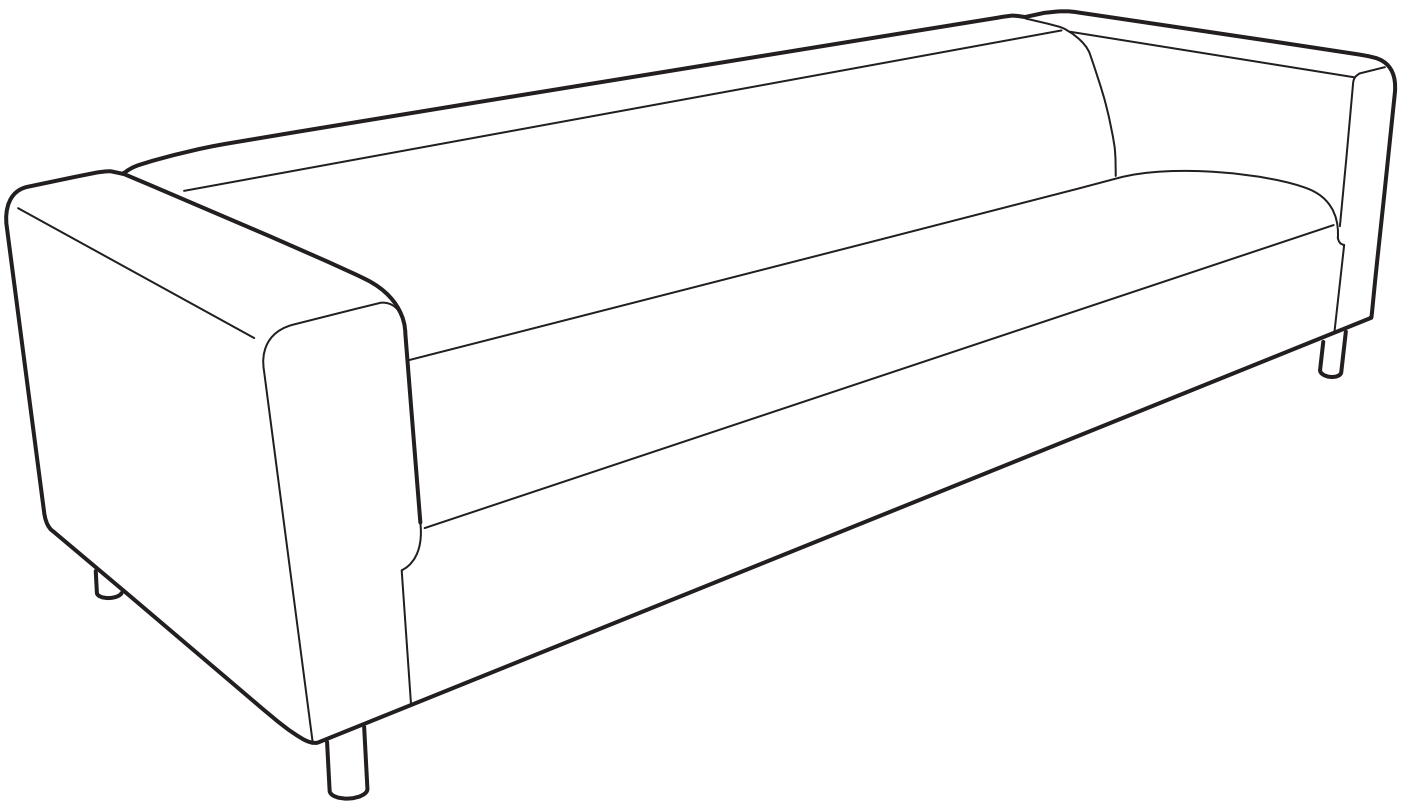
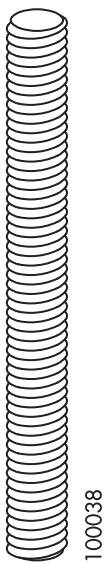
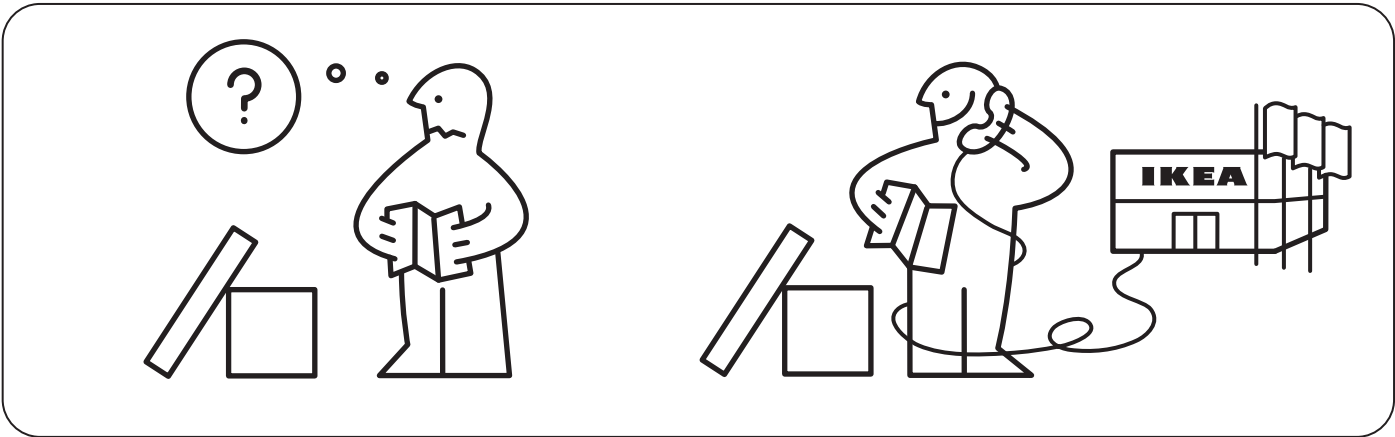
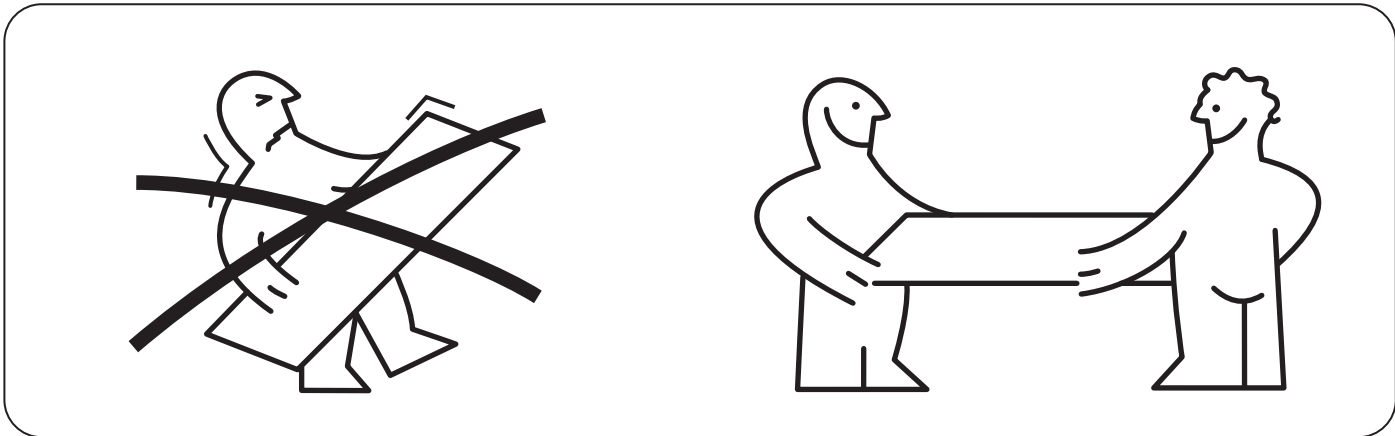


KLIPPAN



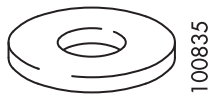
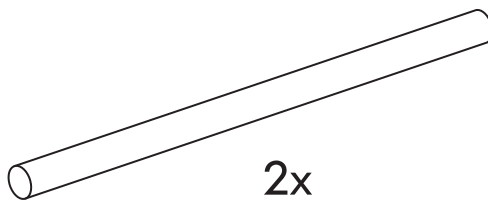
Design and Quality
IKEA of Sweden



8x



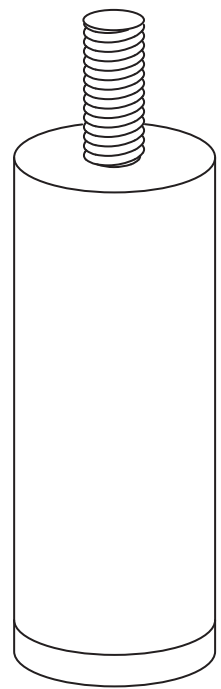
2x



8x

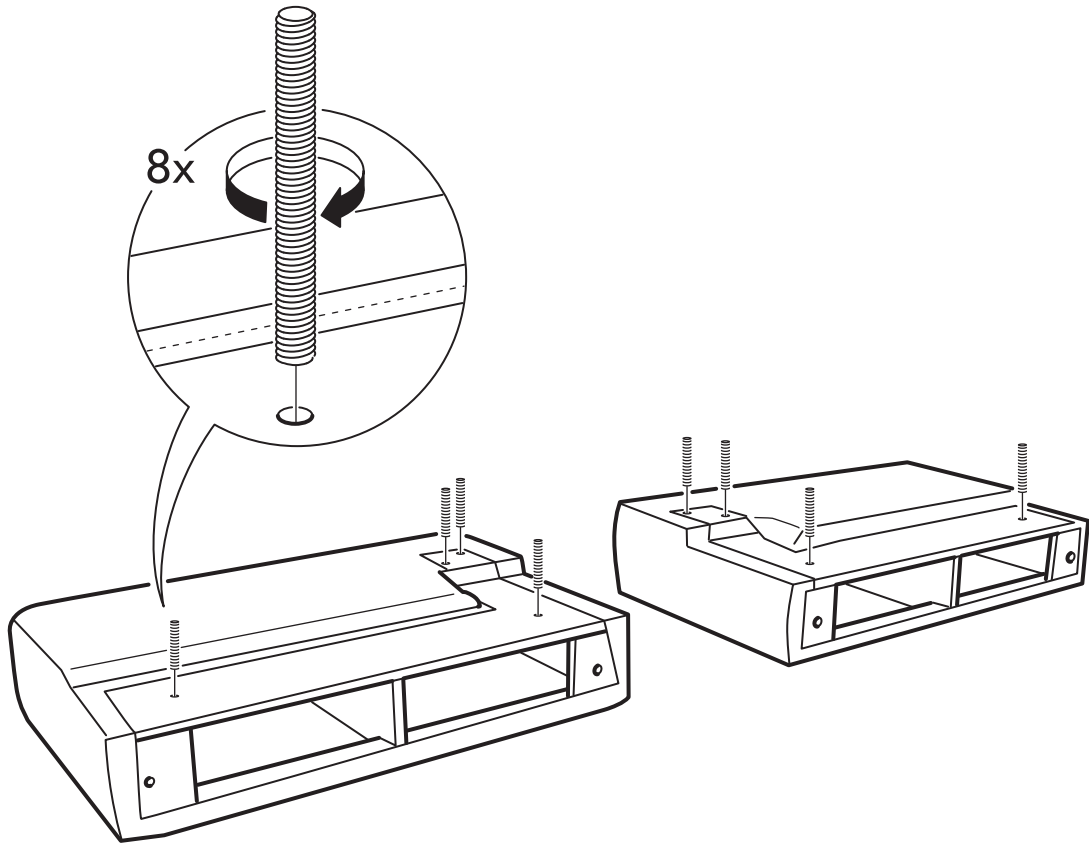


8x

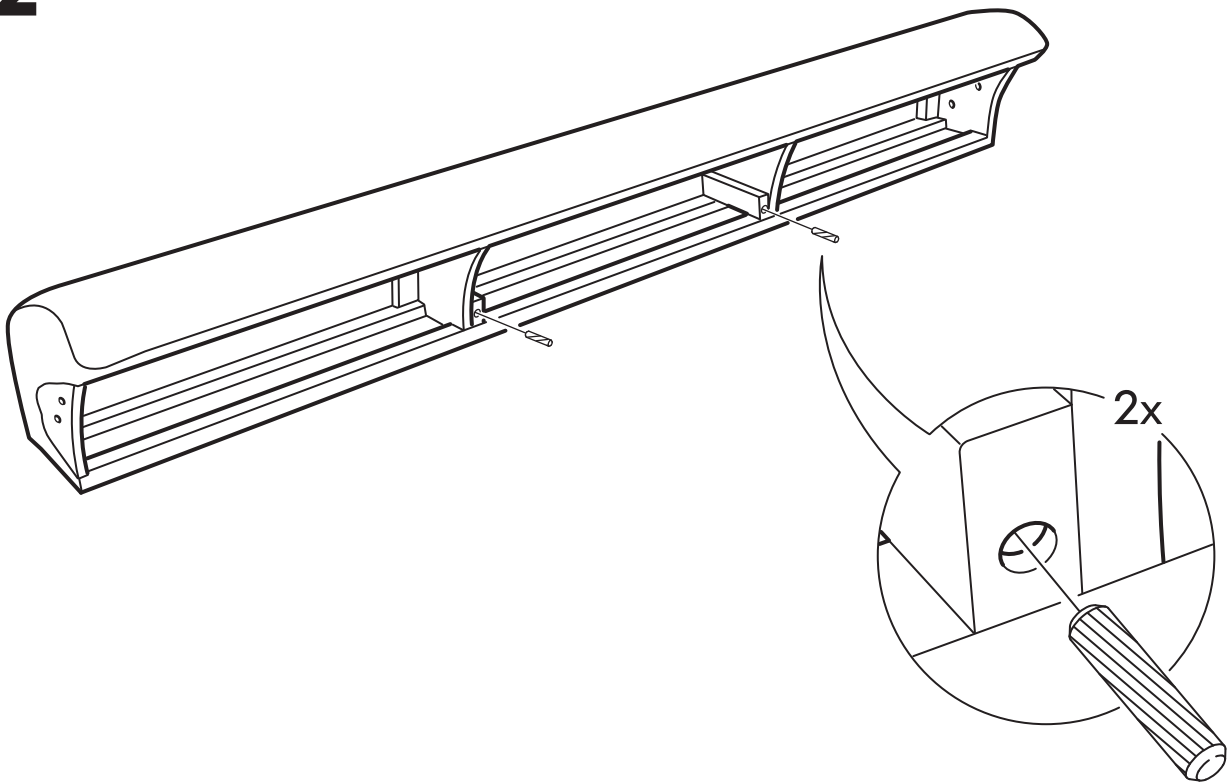


5x

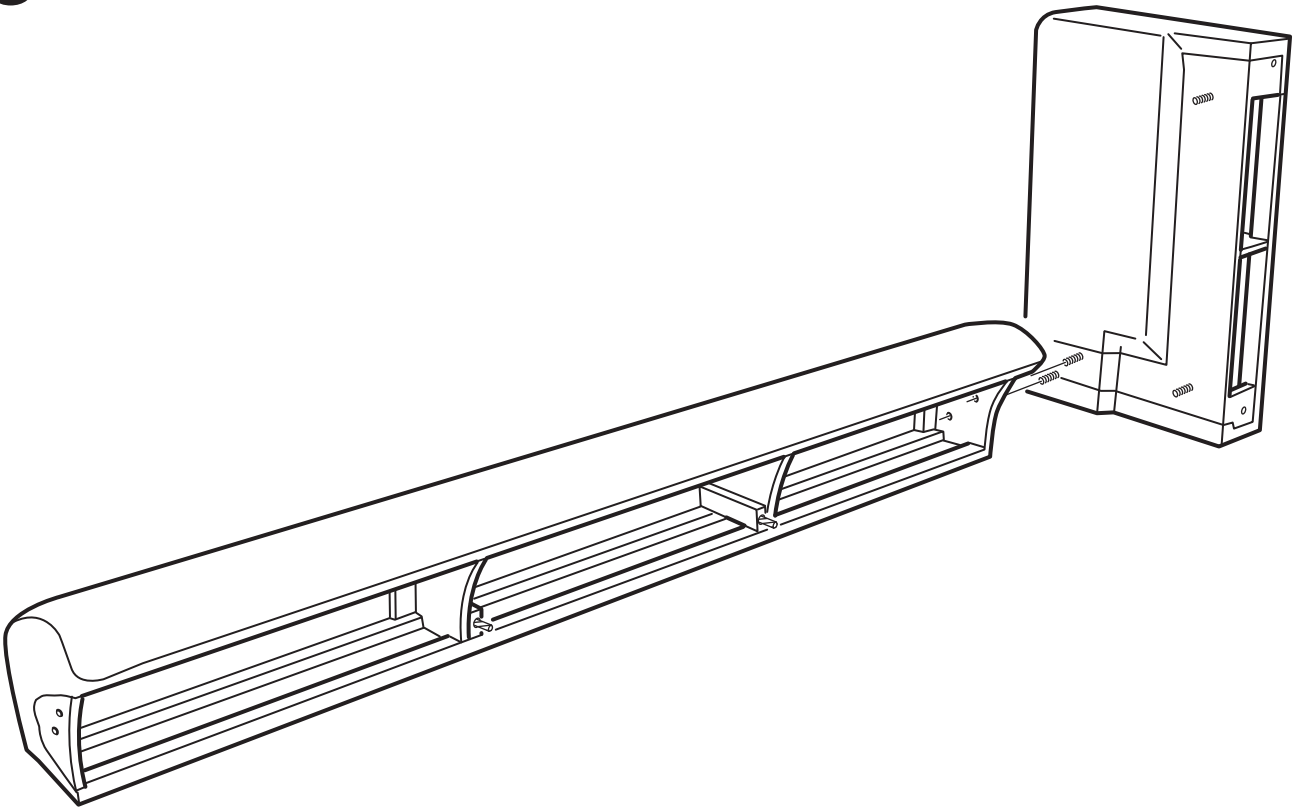
1



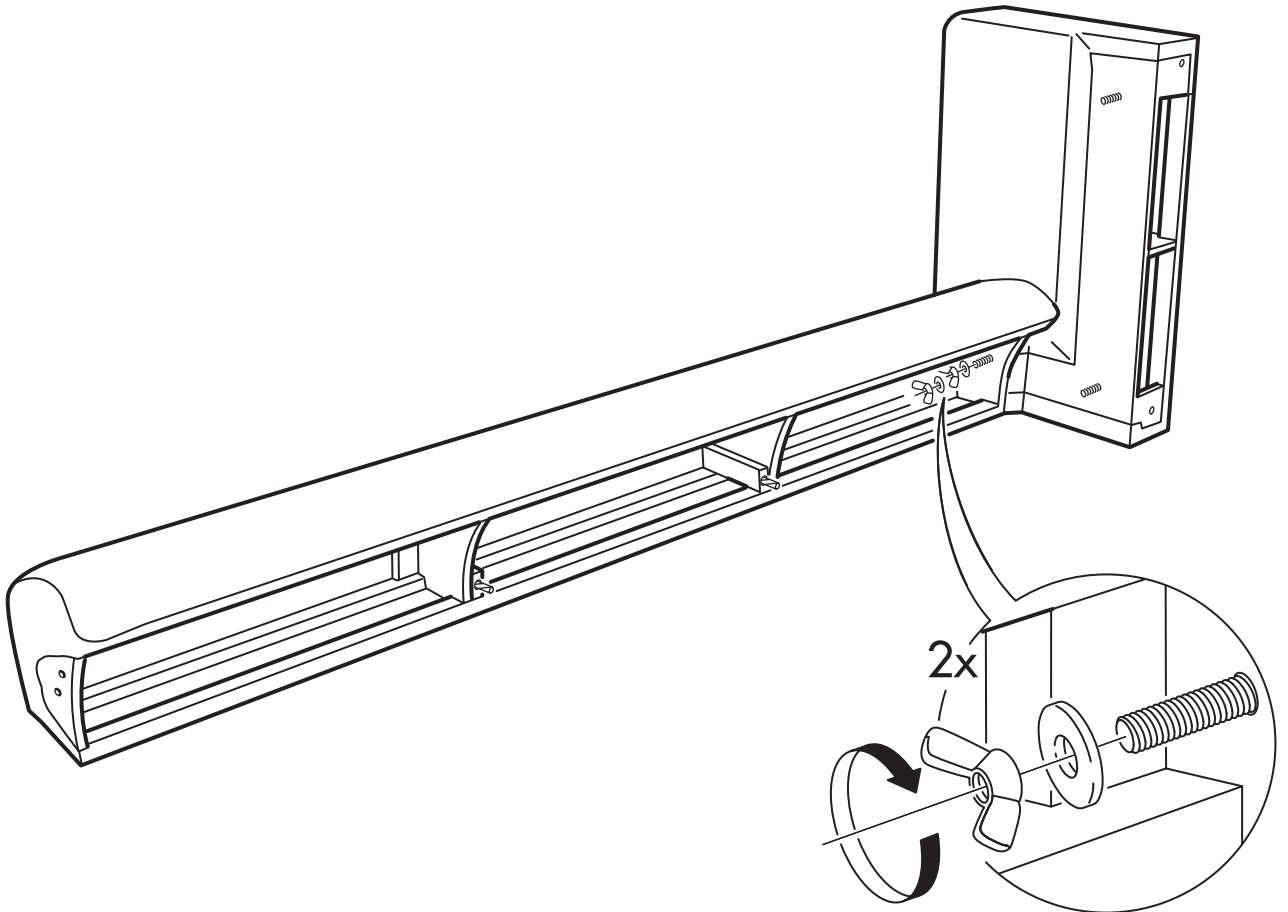
2



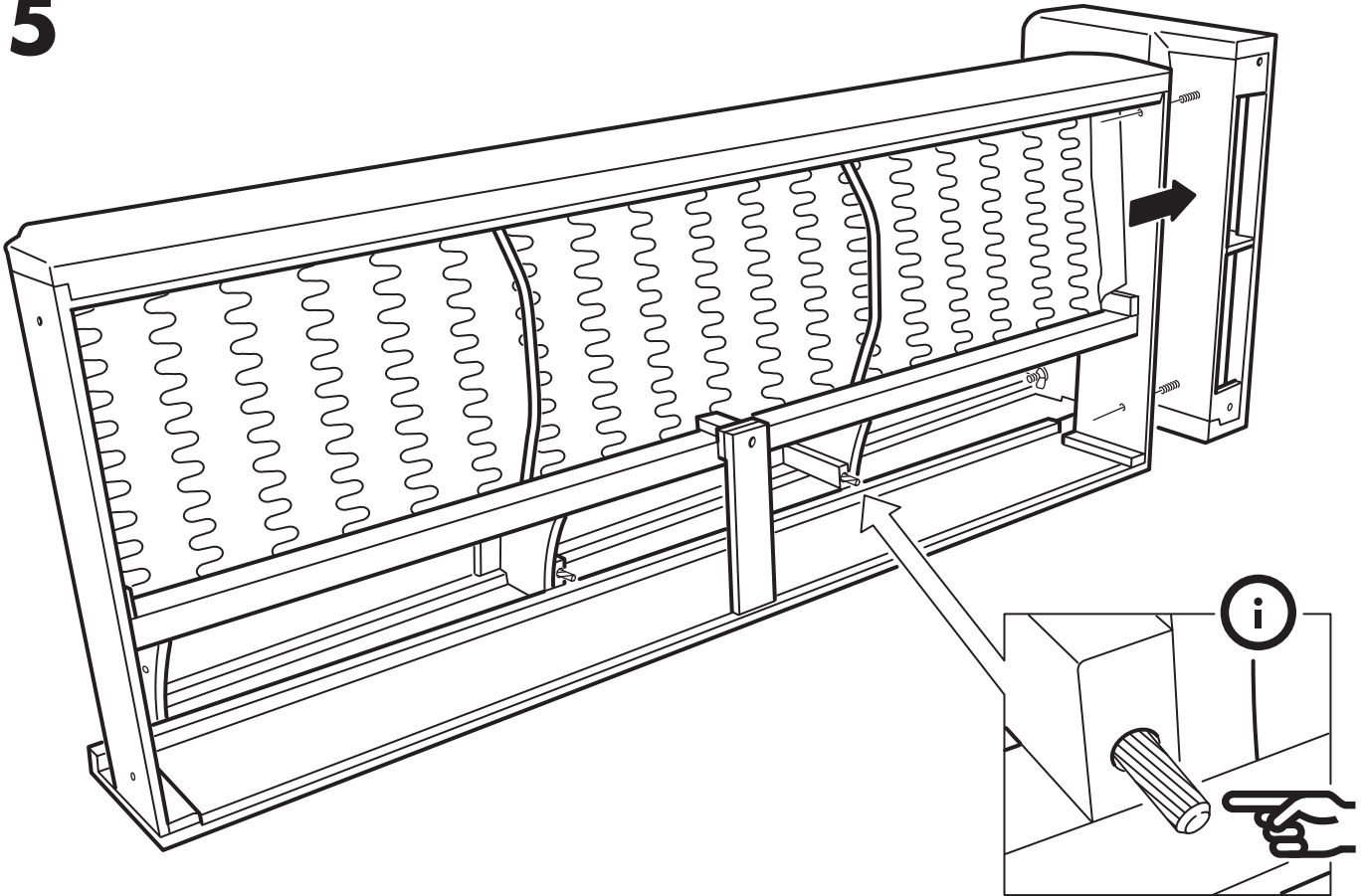
3



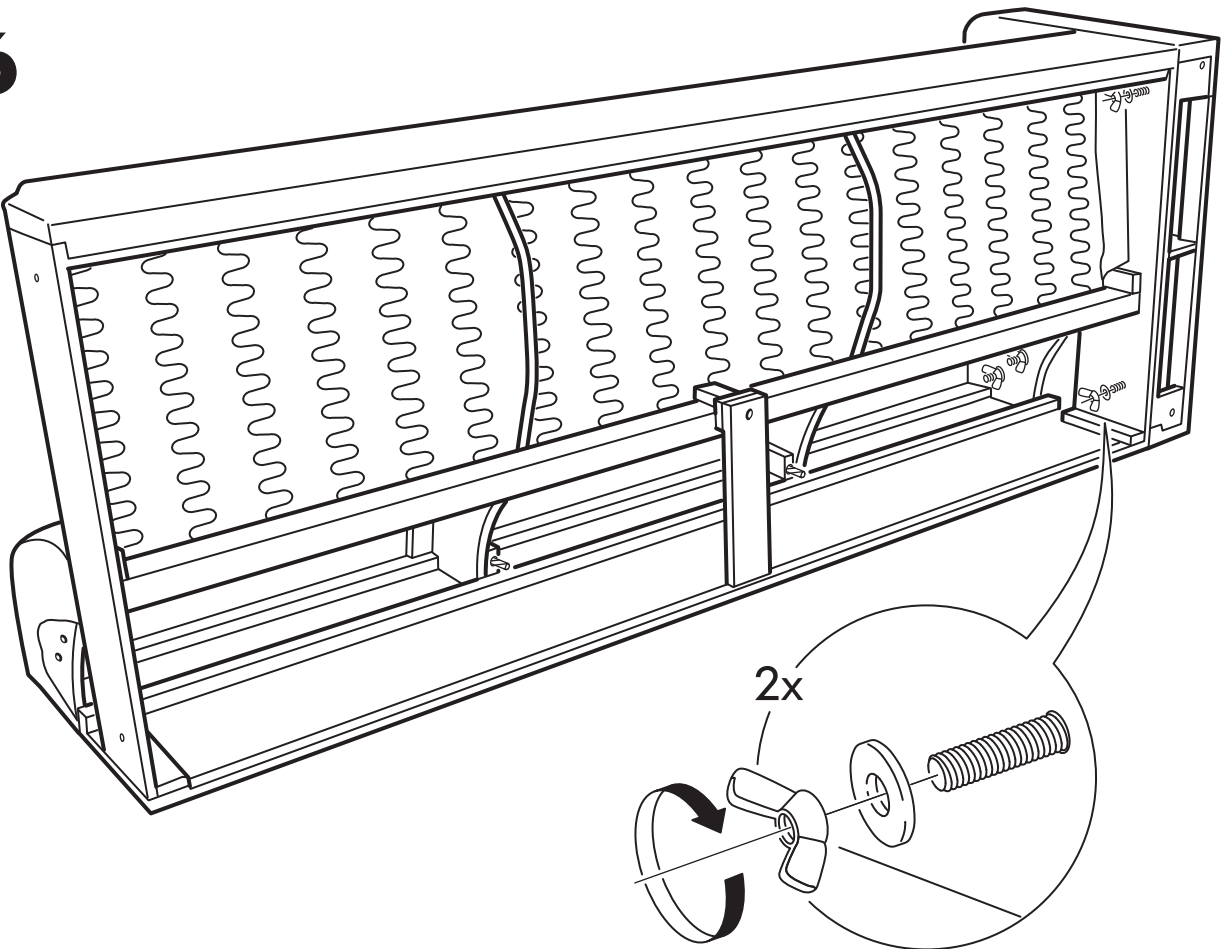
4



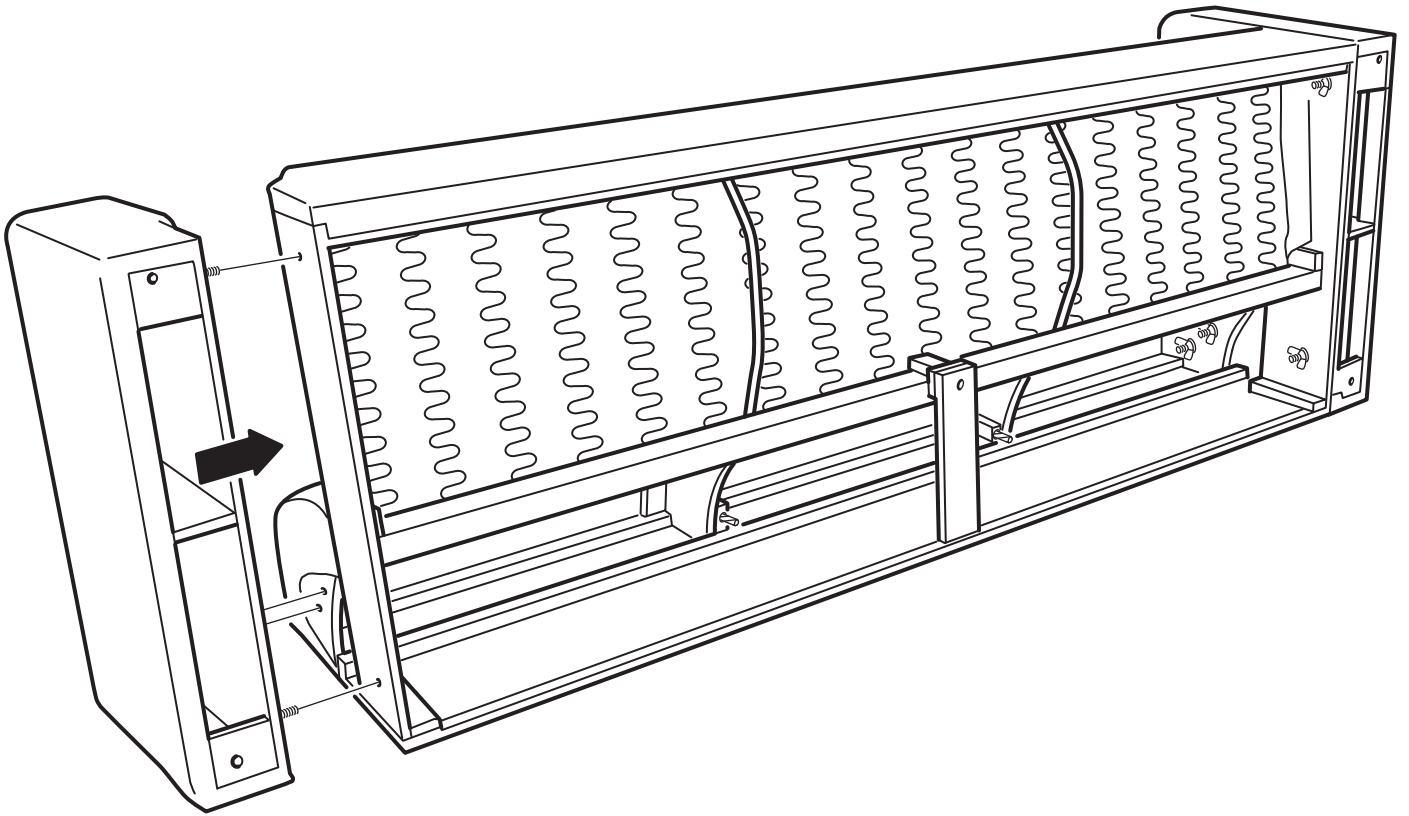
5



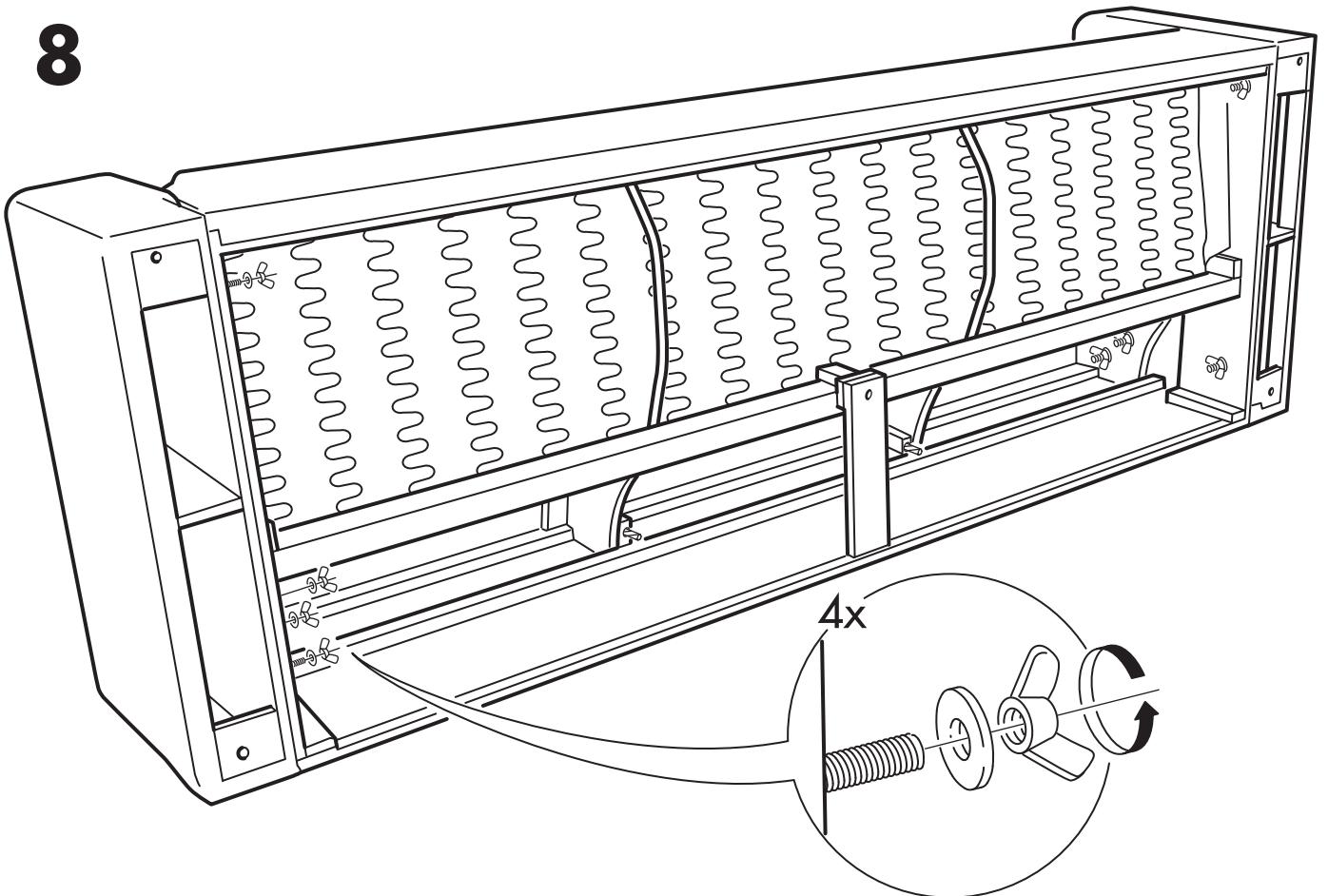
6



7



8



9

