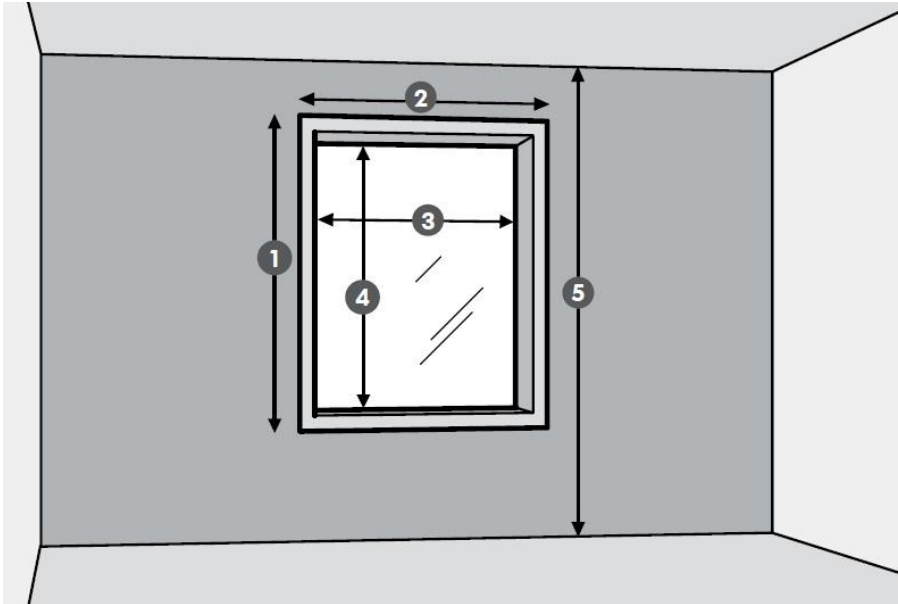


Measure your window

Knowing the right measurements for your window is important when creating window solutions. The following five measurements will make it easier for you to create the solution that you need.



- 1. Measure the height** of your window frame. Add 10 cm. on the top to get the right position of your curtain rod, rail or blind.
- 2. Measure the width** of your window. Add at least 10 cm. on each side to get the right width of your curtain rod or rail. To pull your curtains or panel curtains back further, add more.
- 3. Measure the inner width** of your window frame when mounting blinds inside the frame. This is to make sure the blinds cover the complete window.
- 4. Measure the inner height** of your window frame to know what length you'll need on your blinds.
- 5. Measure the height of the wall** if you want a floor-to-ceiling window treatment. Subtract 5-10 cm. from the actual height to give space for the curtain rod or rail.

Write your window measurements here

1. _____
2. _____
3. _____
4. _____
5. _____

