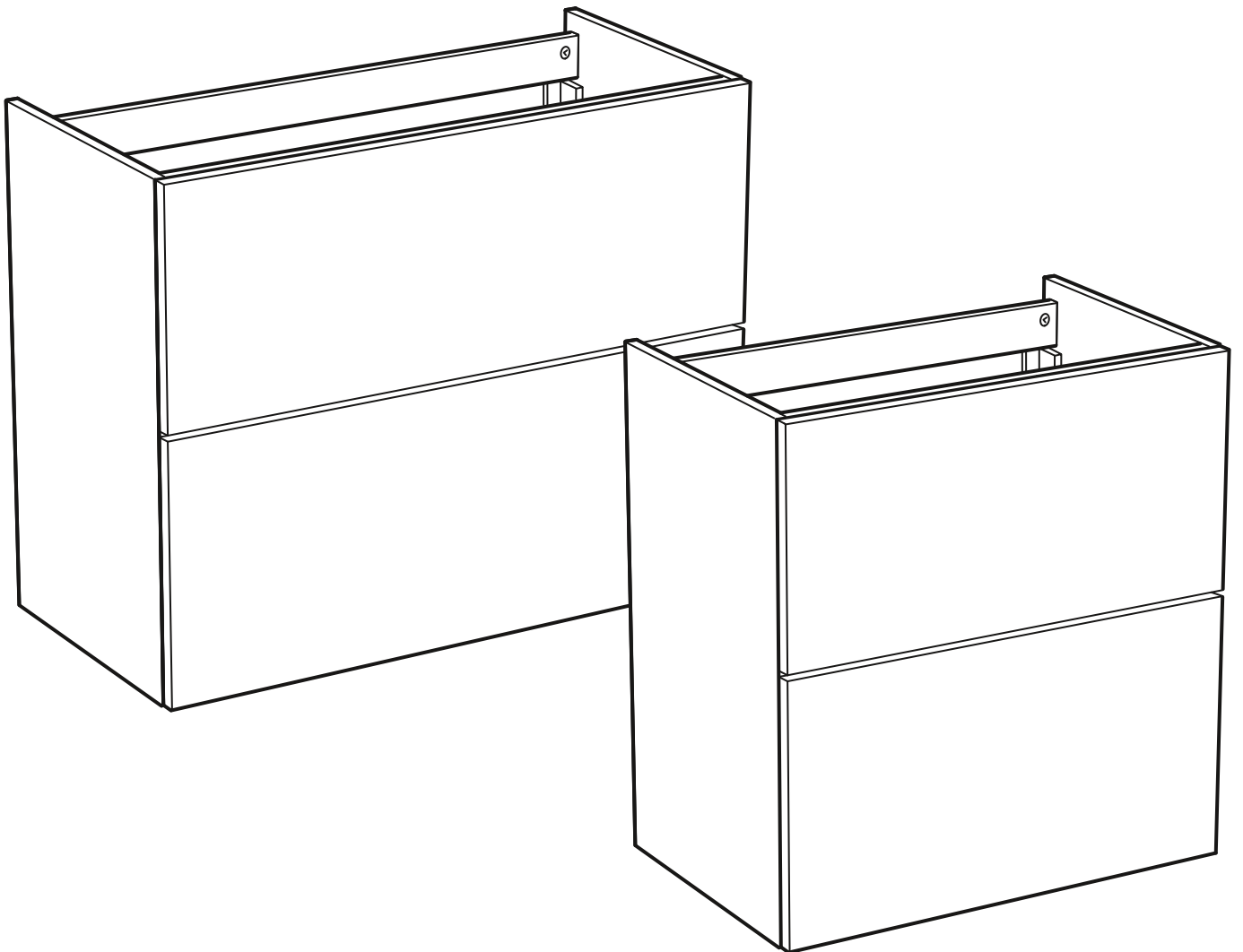
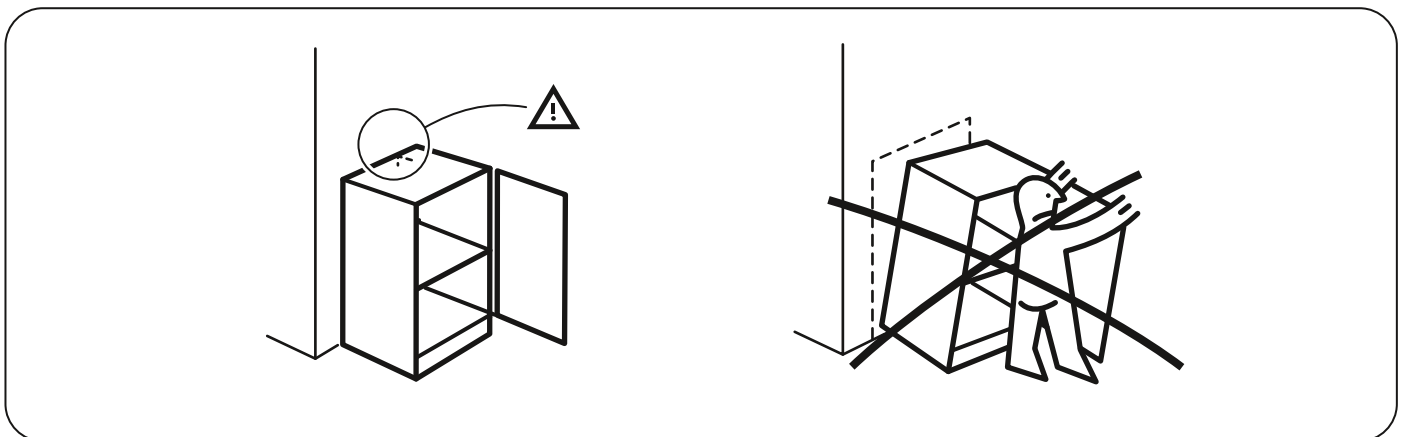
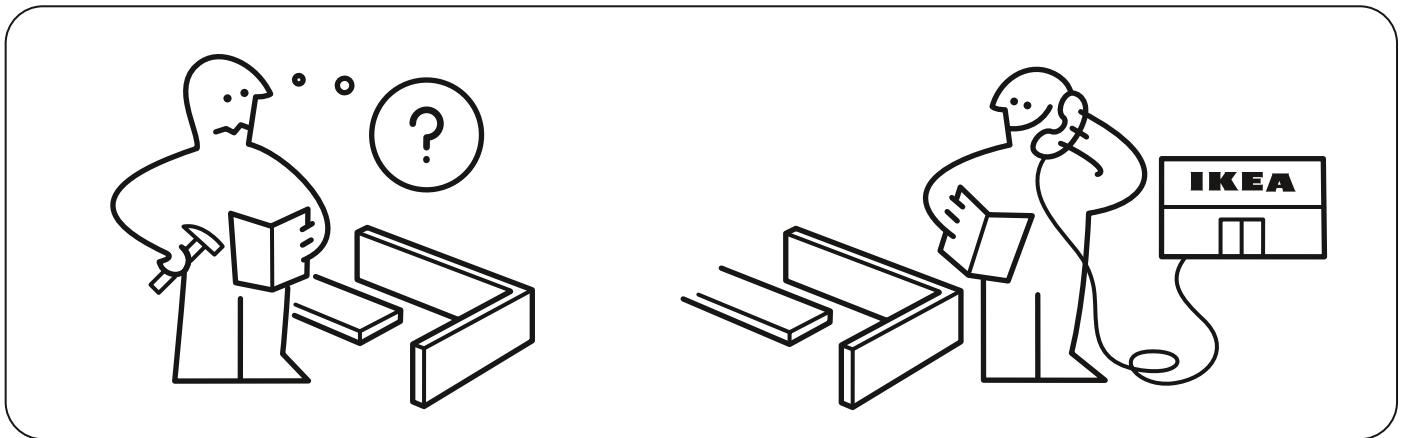
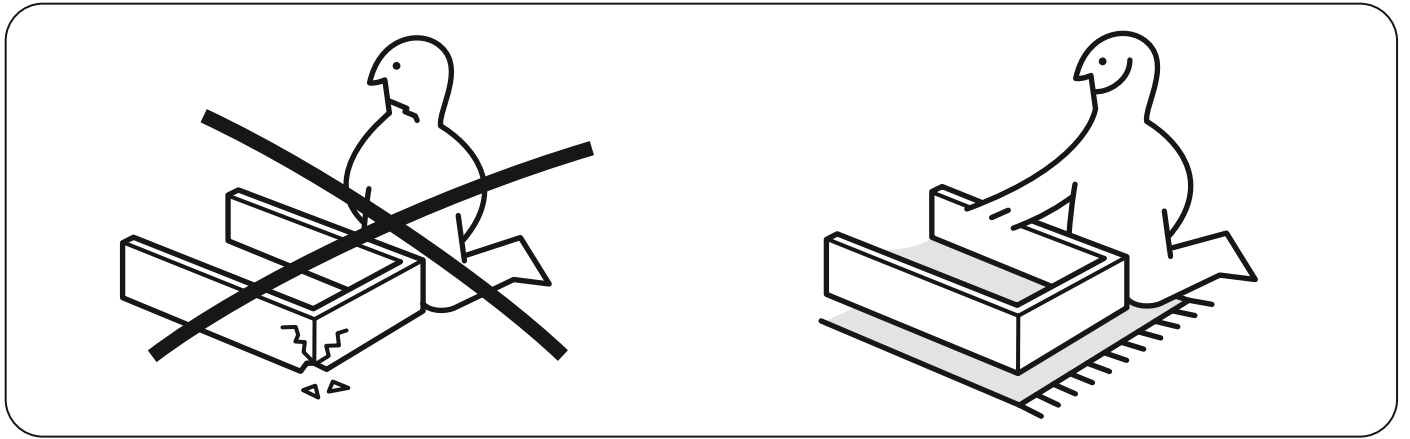
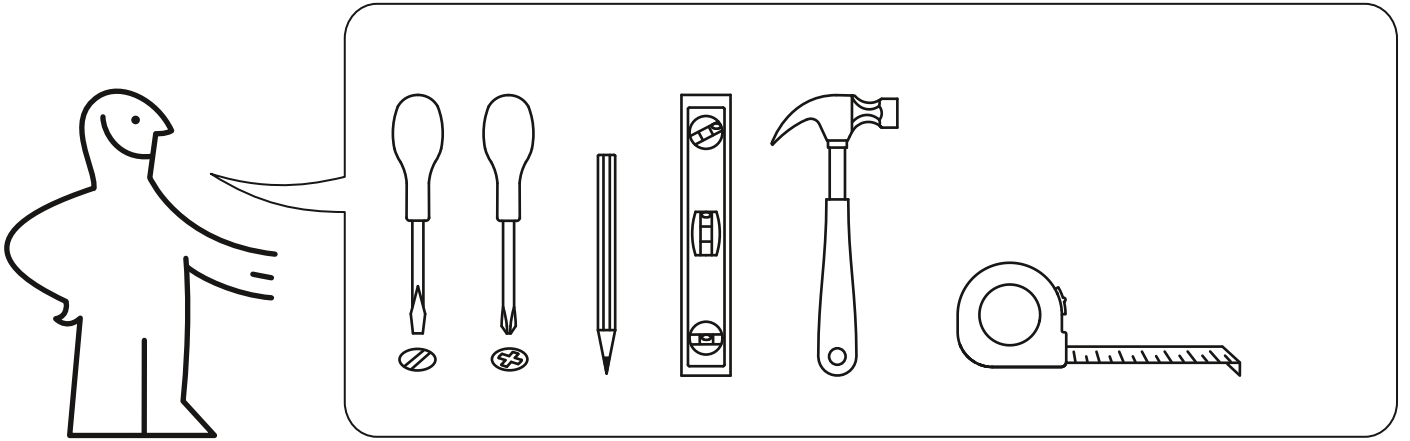


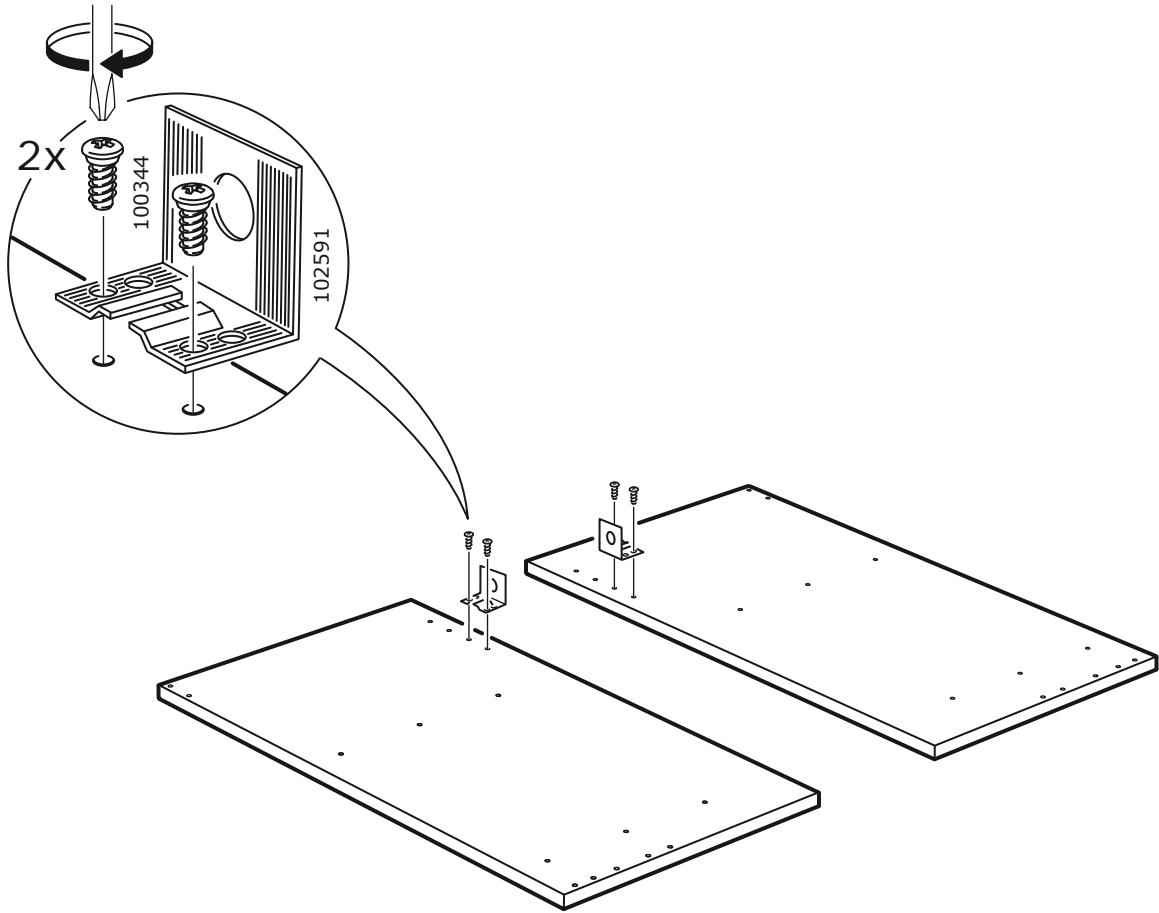
FISKÅN



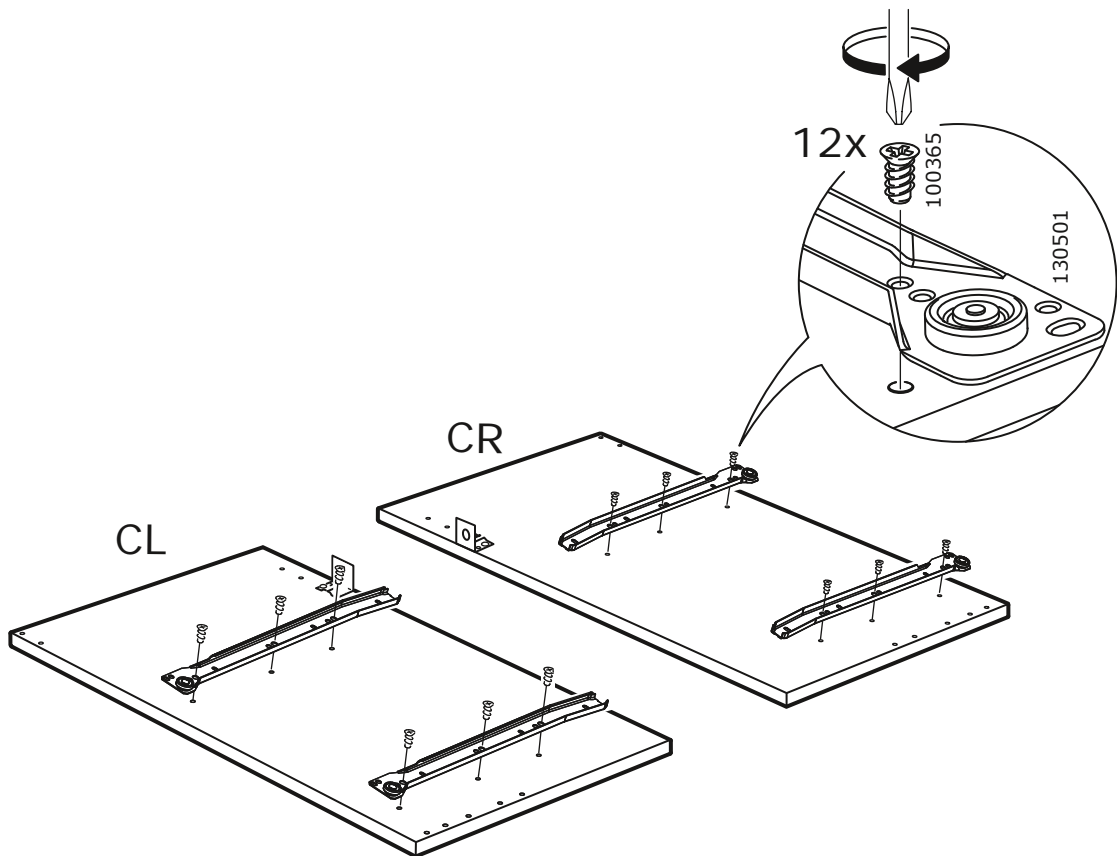
Design and Quality
IKEA of Sweden



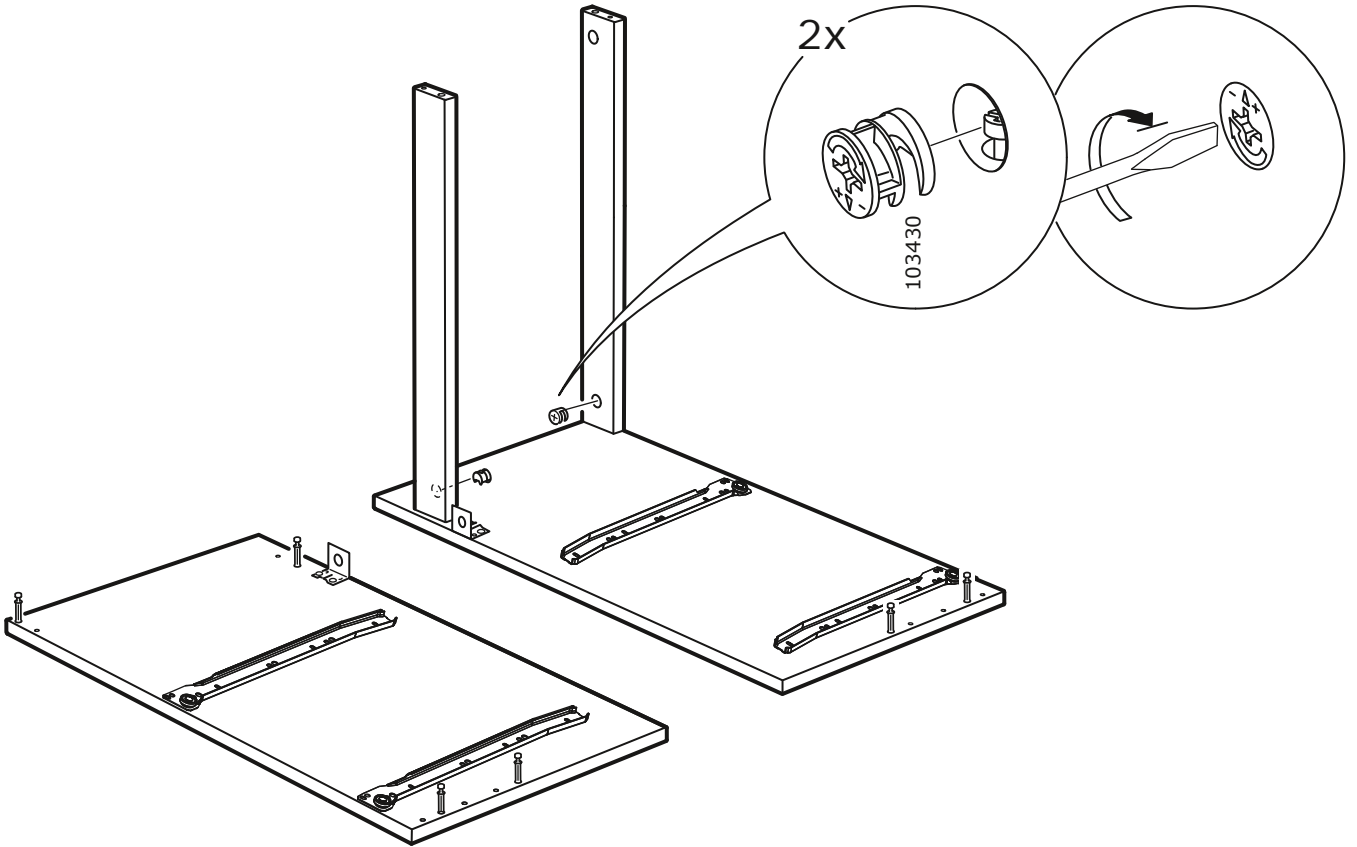
1



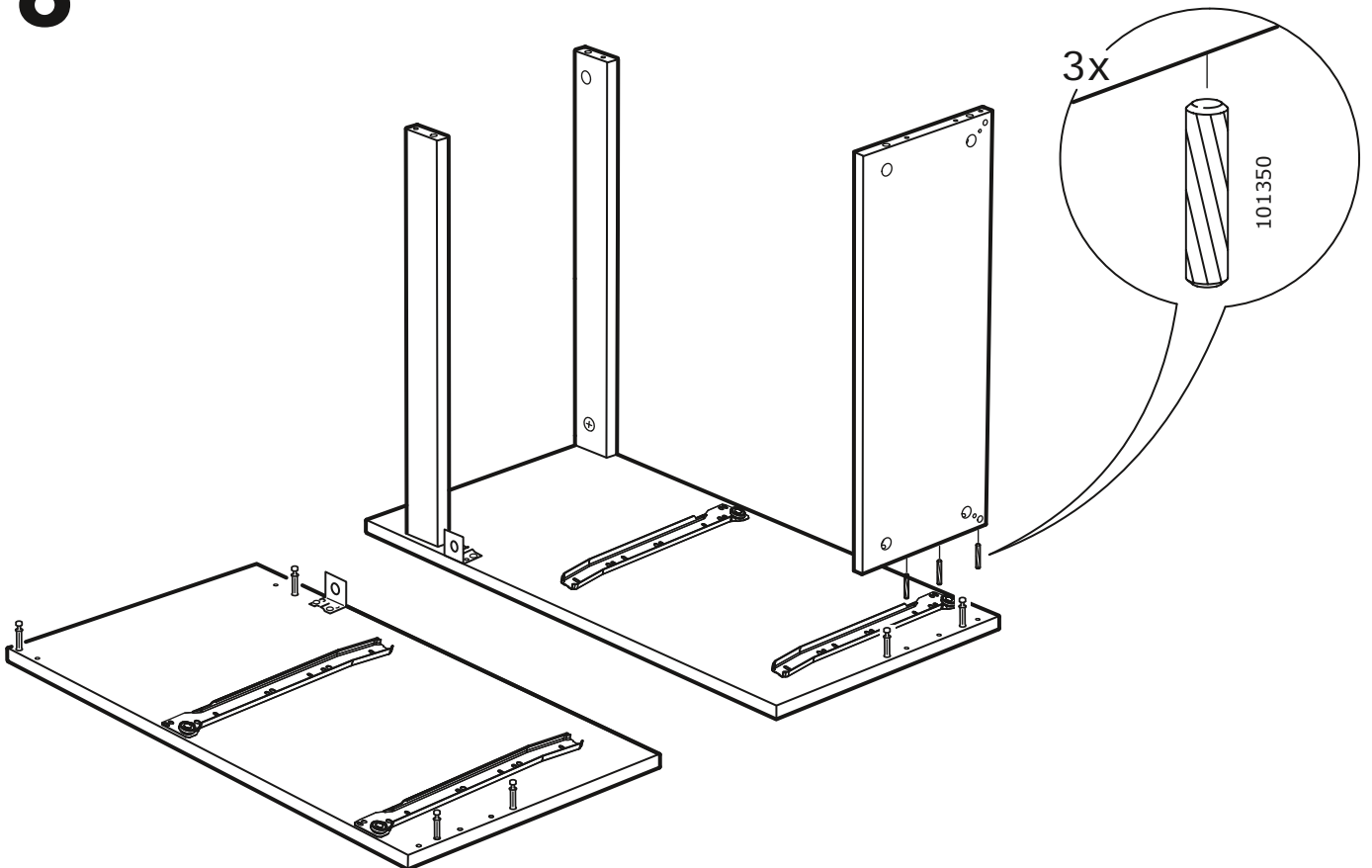
2



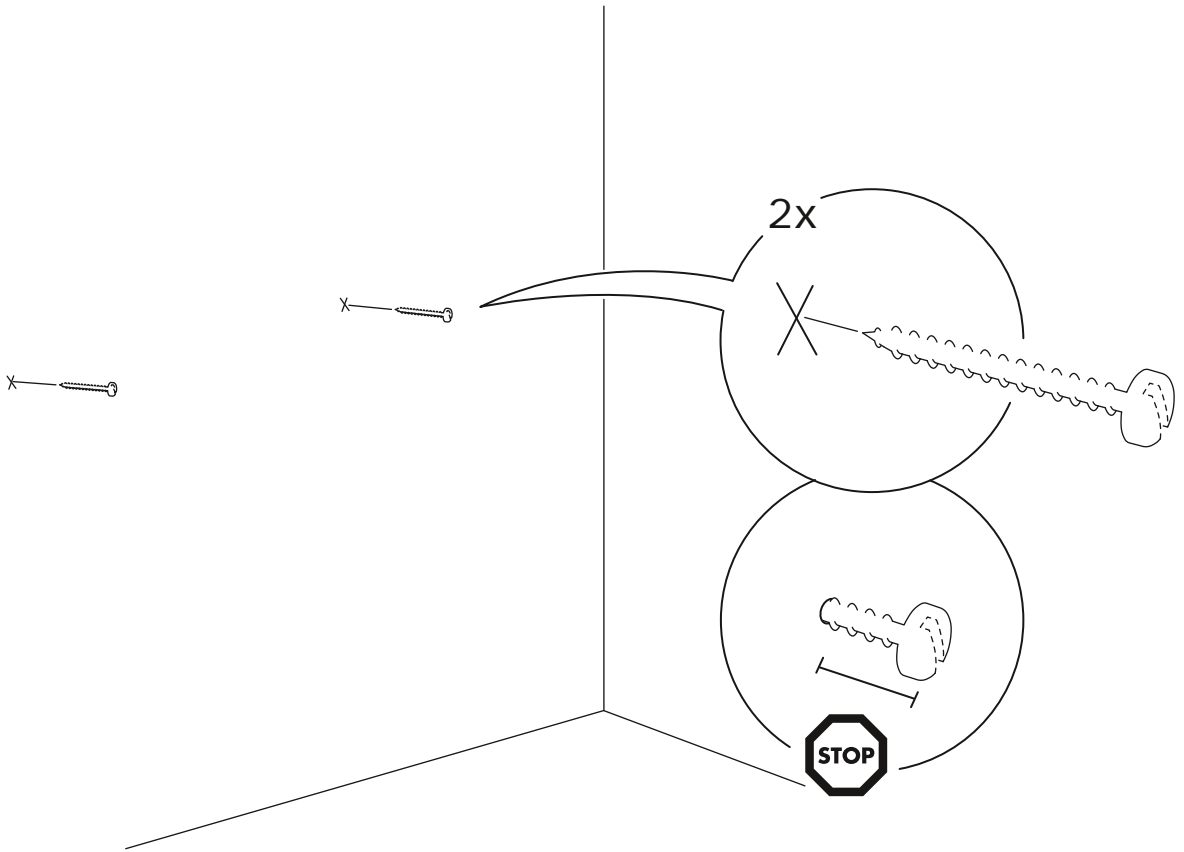
5



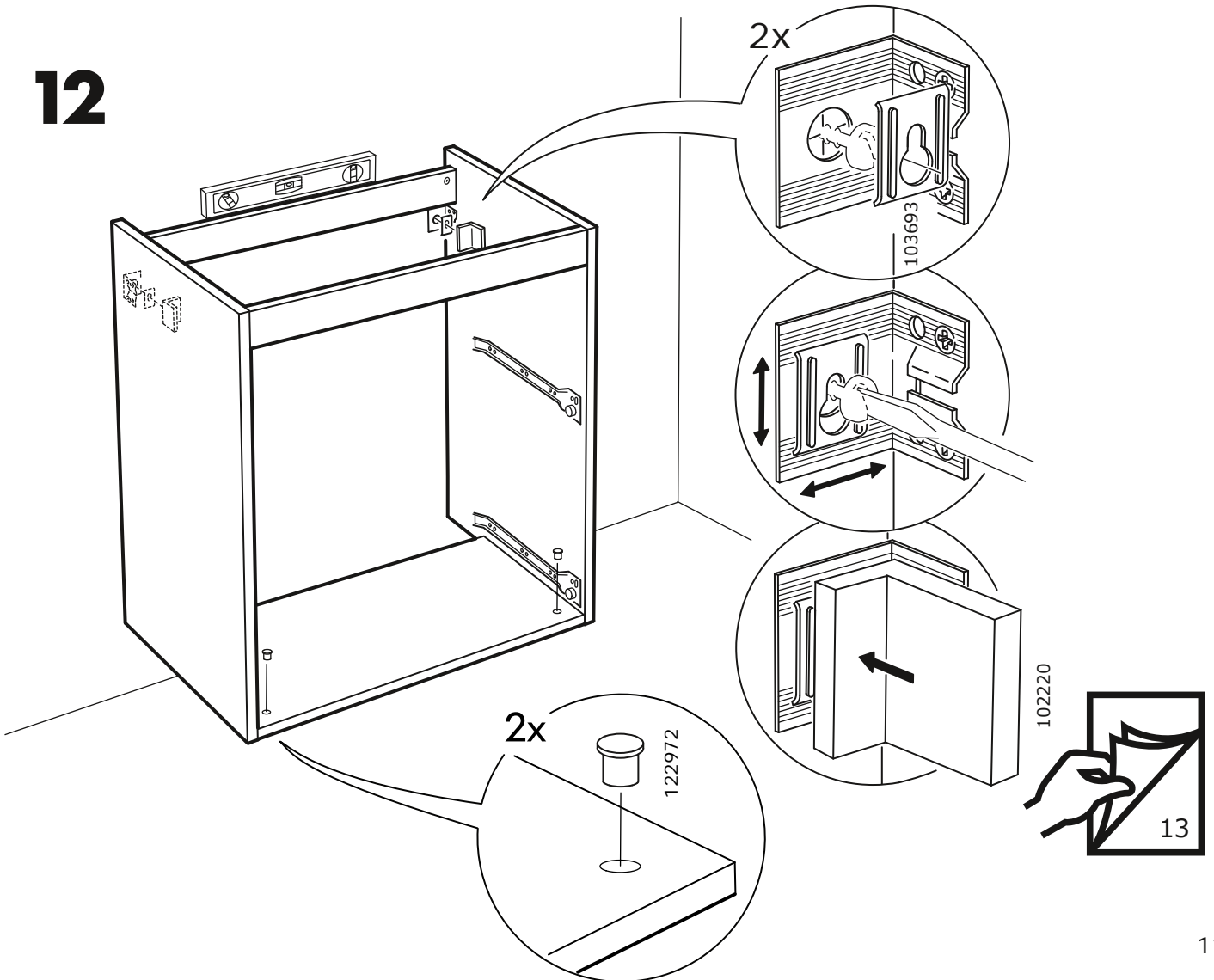
6

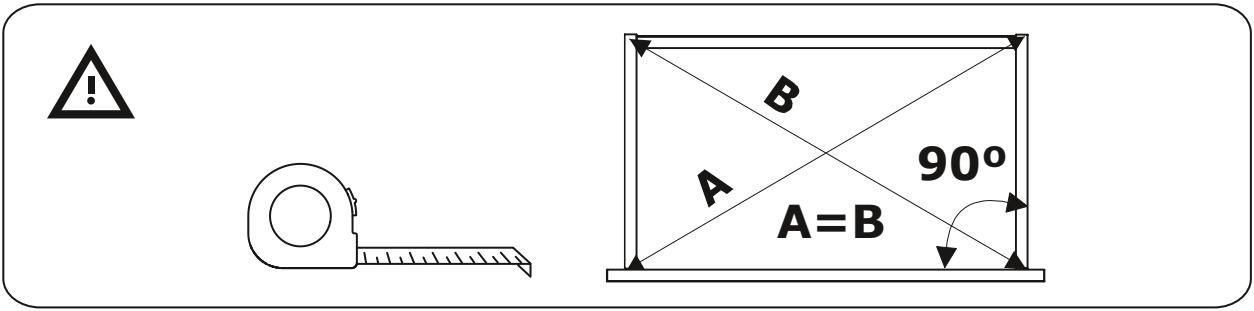


11

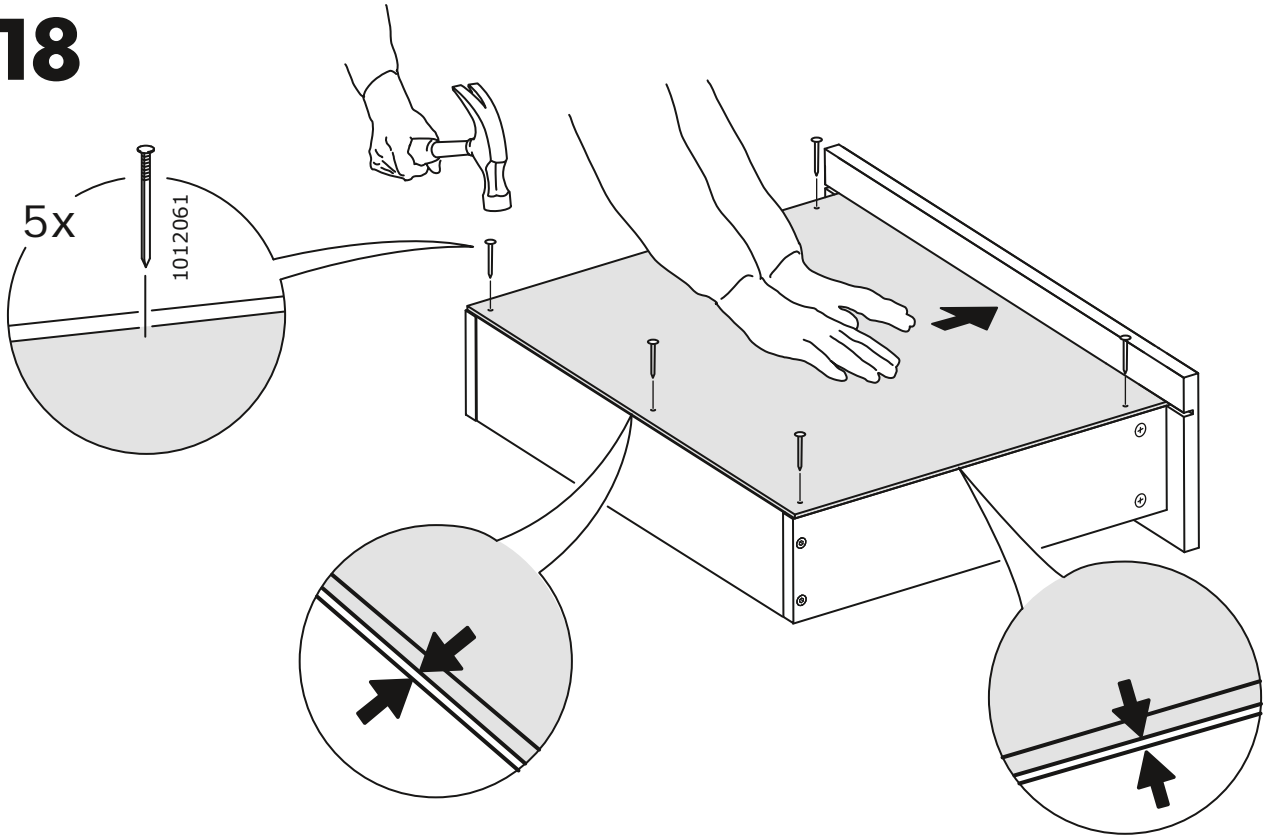


12

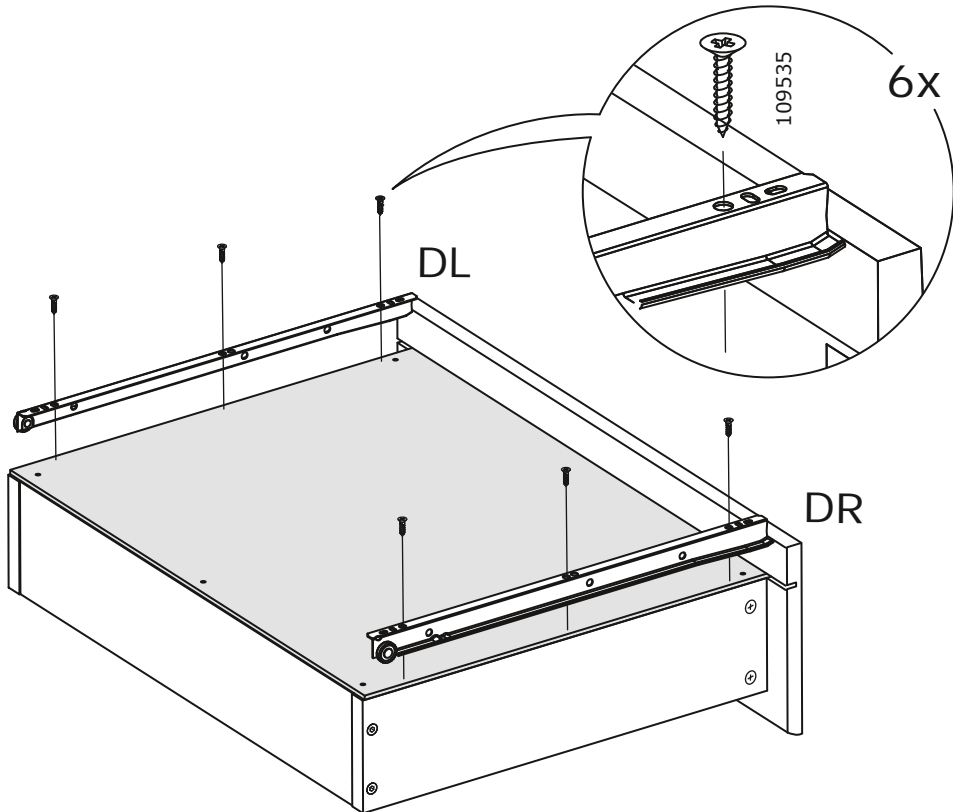




18



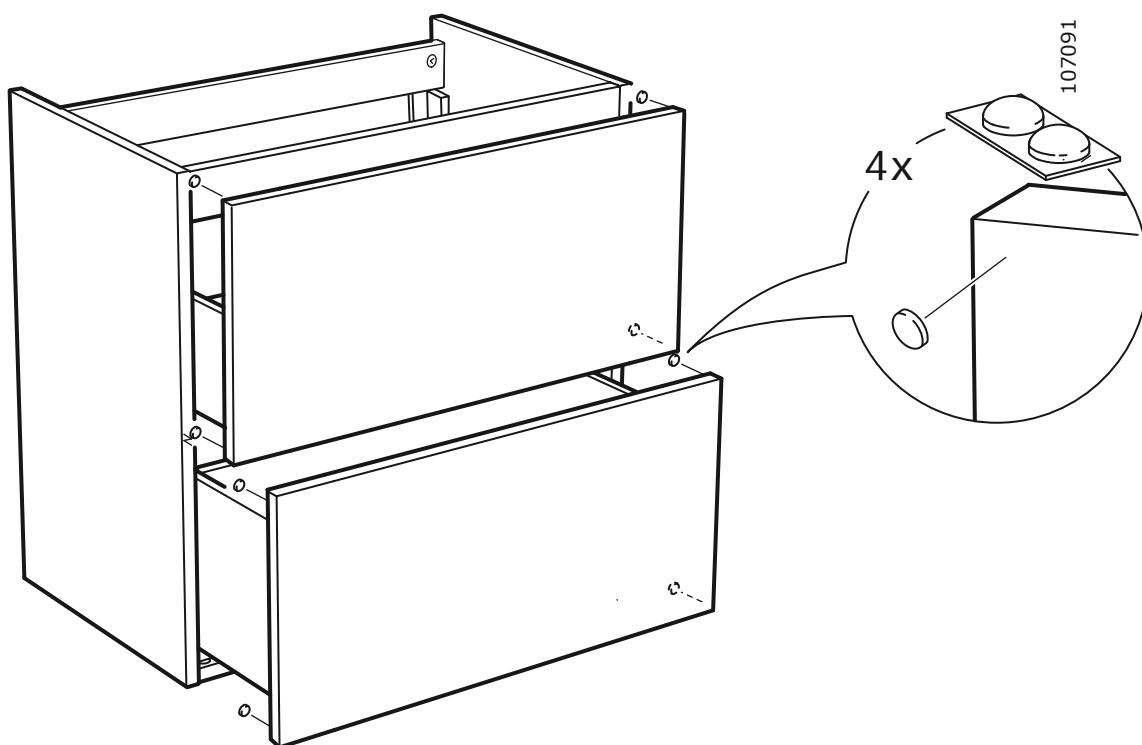
19

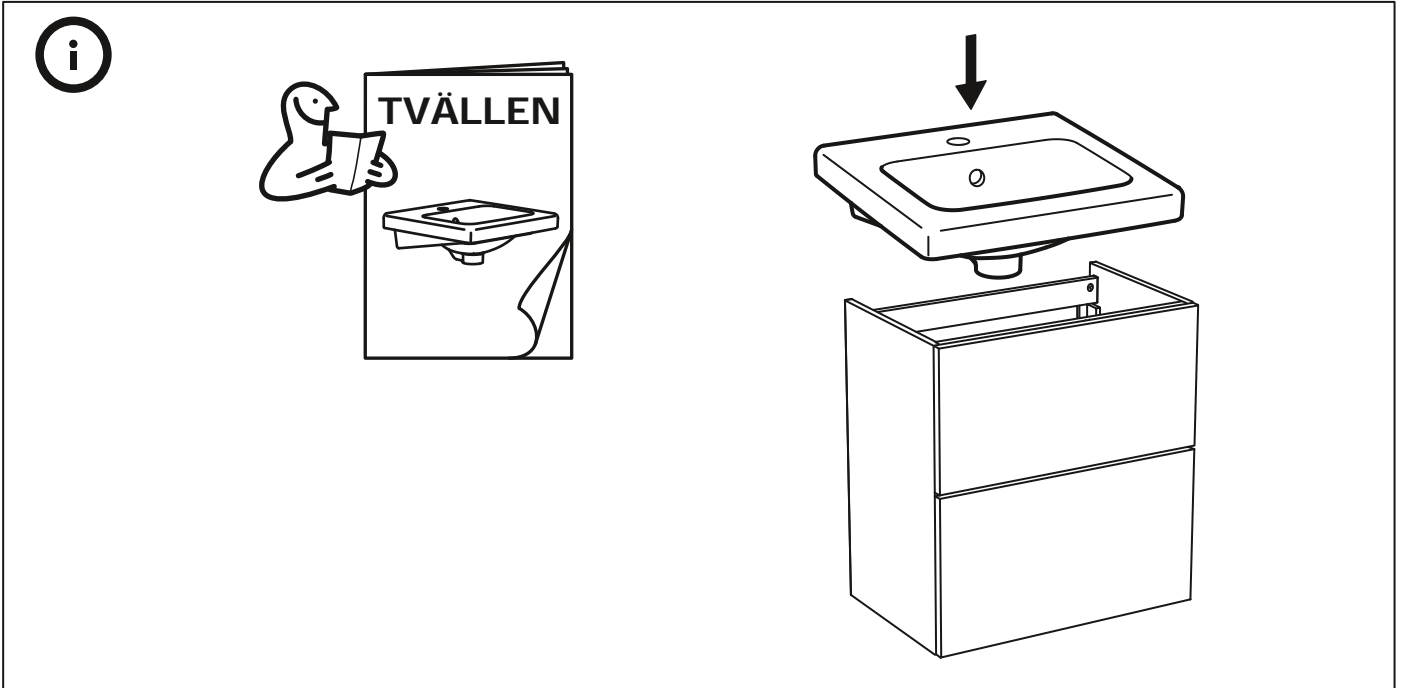


20



21





ENGLISH

NOTE! Silicone is not included.

РУССКИЙ

ВНИМАНИЕ! Силикон не прилагается.

