

Contents

Safety Information	3	What to do if ...	9
Use	6	Technical data	10
Product description	7	Environmental concerns	11
Control panel	7	IKEA GUARANTEE	12
Cleaning and maintenance	7		

Safety Information


Before first use

Your safety and that of others is paramount.


Remove cardboard protection pieces, protective film and adhesive labels from accessories.


Check the appliance for any transport damage.

To avoid any damage do not place any weights on the appliance. Do not expose the appliance to atmospheric agents. This manual and the appliance itself provide important safety warnings, to be read and observed at all times.

 This is the attention symbol, pertaining to safety, which alerts users to potential risks to themselves and others.

All safety warnings are preceded by the attention symbol and the following terms:

 **DANGER:** indicates a hazardous situation which, if not avoided, will cause serious injury.


 **WARNING:** Indicates a hazardous situation which, if


not avoided, could cause serious injury.

All safety warnings give specific details of the potential danger/warning present and indicate how to reduce risk of injury, damage and electric shock resulting from improper use of the appliance. Carefully observe the following instructions.

Precautions and general recommendations


- The electrical installation and the electrical connection must be carried out by a qualified technician according to the manufacturer's instructions and in compliance with the local safety regulations. Do not repair or replace any part of the appliance unless specifically stated in the user manual.
- The appliance must be disconnected from the power supply before carrying out any installation work.

 **WARNING:** Failure to install the screws or fixing device in accordance with these instructions may result in electrical hazards.

- Earthing of the appliance is compulsory. (Not possible for class II hoods identified by the symbol  on the dataplate).
- Do not pull the power supply cable in order to unplug the appliance.
- The electrical components must not be accessible to the user after installation.
- Do not touch the appliance with any wet part of the body and do not operate it when barefoot.
- This appliance can be used by children aged from 8 years and above and persons with reduced physical, sensory or mental capabilities or lack of experience and knowledge if they have been given supervision or instruction concerning use of the appliance in a safe way and understand the hazards involved. Children shall not play with the appliance. Cleaning and user maintenance shall not be made by children without supervision.
- All other maintenance services must be carried out by a specialised technician.
- When drilling through the wall pay attention not to damage electric connections and/or pipes.
- Air vents must always discharge to the outside.
- The manufacturer rejects all responsibilities for any damage caused by improper use or wrong settings.
- Appropriate maintenance and cleaning ensure the good working order and the best performance of the appliance. Regularly clean all stubborn surface dirt to avoid grease build up. Remove and clean or change the filter regularly. This must be completed in accordance with the “Cleaning and maintenance” instructions provided.
- Never flame cook food (flambé) under the appliance. Using free flames might cause fire.
- Failure to observe the instructions for cleaning the hood and replacing the filters may result in a fire.
- Exhaust air must not be vented through a flue used for removal of fumes produced by gas combustion appliances or other combustible materials, but must have a separate outlet. All national regulations governing extraction of fumes must be observed.
- There shall be adequate ventilation if the hood is being used at the same time as other appliances using gas or other combustible materials. The negative pressure of the room

must not exceed 4 Pa (4x 10⁻⁵ bars). For this reason ensure that the room is well ventilated. In case of doubts, please consult an authorized service assistance center or similar qualified person.


- Do not leave frying pans unattended when frying, as the frying oil may catch fire.
- Before touching the light bulbs, ensure that they are cold.
- Do not use or leave the hood without the light bulb correctly fitted, as this may cause electric shock.
- The hood is not a work surface, therefore do not place any objects on top of it or overload it.
- During all installation and maintenance operations wear appropriate working gloves.
- This appliance is not suitable for outdoor use.

 **WARNING:** when the hob is in use, accessible parts of the hood may become hot.

Installation and connection

In the event of problems, contact the Authorized Service Centre. To prevent any damage, only remove the appliance from its packaging at the time of installation.

Preparing for installation

 **WARNING:** this is a heavy product; the hood should only be lifted and installed by two or more people.

The minimum distance between the hob and the bottom part of the hood must not be less than 65 cm for burning gas or other fuels and 50cm for electric cookers.

Before installation also check the minimum distances stated in the manual of the cooker.

If the installation instructions for the cooker specify a greater distance between cooker and hood, this distance must be observed.

Electrical connection

Make sure the power voltage specified on the appliance rating plate is the same as the mains voltage.

This information can be found on the inside of the hood, under the grease filter. Power cable replacement (type H05 VV-F) must be carried out by a qualified electrician. Contact an authorized service centre.

If the hood is fitted with an electric plug, connect the plug to a socket complying with current regulations, located in an accessible place.

⚠ WARNING: if no plug is fitted (direct wiring to the mains), or if the socket is not located in an accessible place, a qualified electrician should install a

standardised double pole power switch that will enable complete isolation from the mains in case of category III overvoltage conditions, in accordance with wiring rules.

Use

The hood has been designed to be installed and used either as a “Extraction installation”, or as a “Recirculation installation”.

Extraction installation (see symbol in installation booklet)

Cooking steam is sucked and channelled outside the house through a discharge duct (not supplied), fitted to the hood steam outlet.

Ensure that the discharge duct is correctly fitted to the air outlet, unit using an appropriate connection system.

Important: If already installed, remove the charcoal filter/s.

Recirculation installation

(see symbol  in installation booklet)

The air is filtered through one or more the charcoal filters, and then resent into room.

Important: Ensure appropriate air circulation around the hood.

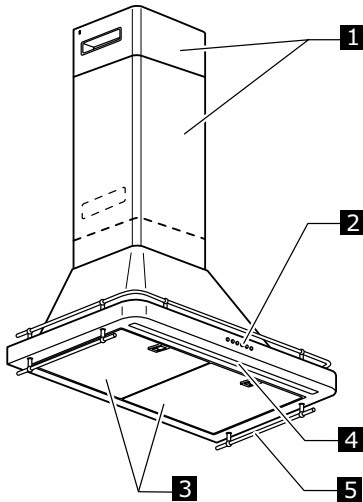
Important: If the hood is supplied without charcoal filters, these must be fitted before the hood can be used. Filters are available in IKEA shops.

The hood should be installed away from particularly dirty areas, windows, doors and heat sources.

The accessories for wall fixing are not included because walls made of different materials require different types of fixing accessories. Use fixing systems suitable for the walls of your home and the weight of the appliance. For more details, contact a specialized dealer.

Keep this booklet for future consultation.

Product description

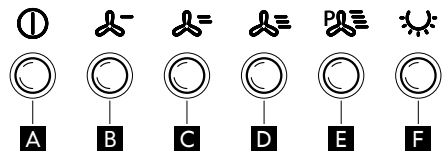


- 1** Telescopic chimney.
- 2** Control Panel.
- 3** Grease filter.
- 4** Light.
- 5** Ladle holder.

Control panel

- A** Motor OFF button
- B** Extraction power 1 selection button.
- C** Extraction power 2 selection button.
- D** Extraction power 3 selection button.
- E** Extraction power 4 selection button.
Timed for 5 minutes
- F** Light ON/OFF button.

Note: when the light is on, by pressing and holding the button, it is possible to adjust its intensity



Note: Please note that you will experience a 5 second delay when switching the hood directly into extraction power 1 mode (from any other speed) due to electronics control of the product.

Cleaning and maintenance

⚠ WARNING:

- Never use steam cleaning equipment.
- Disconnect the appliance from the power supply.

IMPORTANT: do not use corrosive or abrasive detergents. If any of these products accidentally comes into contact with the appliance, clean immediately with a damp cloth.

Clean the surfaces with a damp cloth. If it is very dirty, add a few drops of washing up

detergent to the water. Finish off with a dry cloth.

IMPORTANT: do not use abrasive sponges or metallic scrapers or scourers. Over time, these can ruin the surface.

- Use detergents specifically designed for cleaning the appliance and follow the manufacturer instructions.

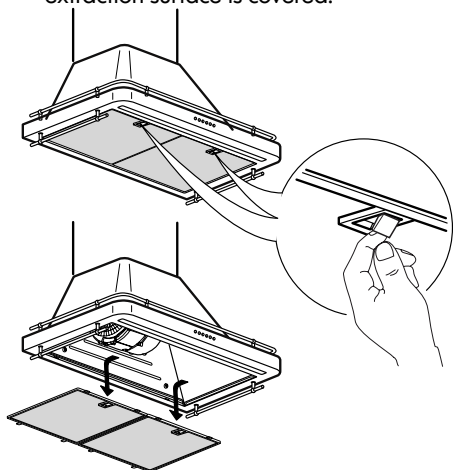
IMPORTANT: clean the filters at least monthly to remove any oil or grease residuals.

To clean the grease filter

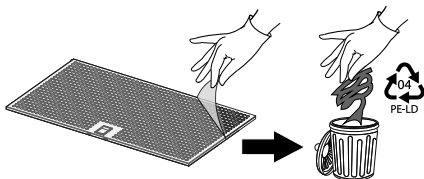
The metal grease filter has an unlimited life and must be washed once a month by hand or dishwasher at low temperature and with a short cycle. With cleaning in a dishwasher the grease filter may become dull; this does not effect its filtering capacity.

Grease filter maintenance:

1. Unplug the appliance or disconnect the power supply.
2. Remove the grease filters: pull the spring release handle, then remove the filter downwards.
3. After cleaning the grease filter, remount in reverse order ensuring the entire extraction surface is covered.



The grease filter protection element must be disposed of as PE-LD 04 material, in accordance with local regulations.



Charcoal filter maintenance (if the hood is installed in recirculation installation)

1. Pull out the plug or disconnect the power supply.

2. Remove the grease filter
3. If the carbon filters are already fitted (two filters that cover the protective grilles for the motor impeller) and have to be replaced, turn the central handle anti-clockwise to unlock them.
4. Open the two filter shells
5. Pull out the two circular mats
6. Proceed in reverse order to fit the new filters.
7. Refit the grease filters.

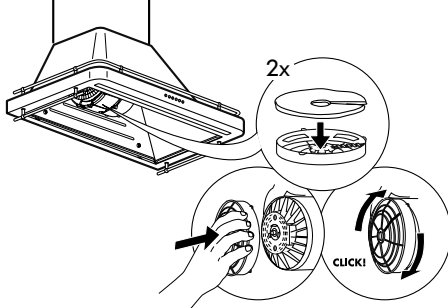
Unlike traditional charcoal filters, this charcoal filter shall be washed and reactivated.

Care and cleaning long life Charcoal filter

- The anti-odour filter shall be washed and regenerated every 3-4 months (or more frequently if the hood is subject to intensive use), up to a Max. of 8 regeneration cycles (in case of particularly intensive use it is recommended that you do not exceed 5 cycles).

Regeneration procedure:

- Wash in the dishwasher at a MAX temperature of 70° or hand wash in hot water without using abrasive sponges (do not use detergents!)
- Dry in the oven at a MAX temperature of 70° for 2 hours or dry at room temperature, standing the filter in a vertical position to facilitate drainage.



Lamp maintenance

The hood is equipped with a lighting system based on LED technology.

The LEDs guarantee an optimum lighting, a duration up to 10 times as long as the traditional lamps and allow to save 90% electrical energy. For replacement, contact the Authorized Service Centre.

What to do if ...

Problem	Possible cause	Solution
The appliance does not work	There is no mains electrical power	Check for the presence of mains electrical power. Turn off the appliance and restart it to see if the faults persists.
	The appliance is not connected to the electrical supply	Check if the appliance is connected to the electrical supply. Turn off the appliance and restart it to see if the faults persists.
The hood's suction level is not enough	The suction speed is too low	Check the suction speed and adjust as necessary.
	The grease filters are dirty 3	Check that the filters are clean If not, clean the filters in the dishwasher.
	The anti-odors filters are dirty	Check that the anti-odour filters are properly washed as recommended
	The air vents are obstructed	Check the air vents for any obstructions and remove as necessary.
The light does not work	The LED is broken 4	For replacement, contact the Authorized Service Centre.

Before contacting the Authorized Service Centre:

Switch the appliance on again to see if the problem has disappeared. If not, switch it off again and repeat the operation after an hour. If your appliance still does not work properly after carrying out the checks listed in the troubleshooting guide and switching the appliance on again, contact the Authorized Service Centre, clearly explaining the problem and specifying:

- the type of fault;
- the model;
- the type and serial number of the appliance (given on the rating plate);
- the Service number (the number after the word SERVICE on the rating plate inside the appliance).

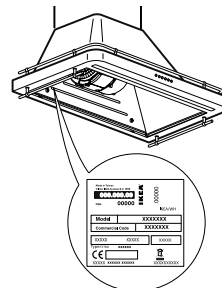
SERVICE 0000 000 00000



Technical data


Type of product		Wall mounted hood	
Dimensions	Width	mm	799
	Depth	mm	480
	Total height in extraction installation version min-max	mm	780-1042
	Total height in recirculation installation version min-max	mm	780-1112
Total power		W	177
Lamps info	Type		LED
	Number & Power	W	1X7
	Socket		STRIP LED
Installation minimum height - gas hob		mm	650
Installation minimum height - elec hob		mm	500
Product Weight		Kg	15.6
Product Information compliant to commission regulation (EU) No 65/2014-UK SI 2019 No.539			
Model identifier			FÖLJANDE 905.217.03
Annual Energy Consumption - AEC Hood		Kwh/A	25.6
Energy Efficiency Class			A++
Fluid Dynamic Efficiency FDE Hood		%	38.5
Fluid Dynamic Efficiency Class			A
Light Efficiency - LE Hood		lux/W	52.1
Light Efficiency Class		lux	A
Grease Filtering efficiency Hood - GFE Hood		%	75.1
Grease Filtering efficiency Class			C
Minimum Airflow in normal use		m ³ /h	200.0
Maximum Airflow in normal use		m ³ /h	415.0
Air Flow at intensive/boost setting		m ³ /h	770.0
A-Weighted Sound Power Emission at minimum speed		db(A) re 1pW	42.0
A-Weighted Sound Power Emission at maximum speed		db(A) re 1pW	57.0
A-Weighted Sound Power Emission at Intensive or boost speed		db(A) re 1pW	72.0
Power consumption off mode-P0		W	NA
Power consumption in stand by mode -Ps		W	0.49
Product Information compliant to commission regulation (EU) No 66/2014			
Time increase factor - f			0.6
Energy efficiency index - EEIhood			36.3
Measured airflow rate at best efficiency point -QBEP		m ³ /h	365.0
Measured air pressure at best efficiency point -PBEP		Pa	355.0
Maximum Airflow - Qmax		m ³ /h	770.0
Measured electric power input at best efficiency point - WBEP		W	93.5
Nominal Power of the lighting system - WL		W	7.0
Average illumination of the lighting system on the cooking surface - Emiddle		lux	365.0

The technical information are situated in the rating plate on the internal side of the appliance and in the energy label.




Environmental concerns

Disposal of packing

The packing material is 100% recyclable and is marked with the recycle symbol . The various parts of the packing must therefore be disposed of responsibly and in full compliance with local authority regulations governing waste disposal.

Scrapping the product

- This appliance is marked in compliance with European Directive 2012/19/EU, Waste Electrical and Electronic Equipment (WEEE).
- By ensuring this product is disposed of correctly, you will help prevent potential negative consequences for the environment and human health, which could otherwise be caused by inappropriate waste handling of this product.

The symbol  on the product or on the accompanying documentation indicates that it should not be treated as domestic waste but must be taken to an appropriate collection centre for the recycling of electrical and electronic equipment.

Scrapping of household appliances

- This appliance is manufactured with recyclable or reusable materials. Dispose of it in accordance with local waste disposal regulations. Before scrapping, cut off the power supply cable.
- For further information on the treatment, recovery and recycling of household electrical appliances, contact your competent local authority, the collection service for household waste or the store where you purchased the appliance.

Energy saving tips

- Switch ON the hood at minimum speed when you start cooking and kept it running for few minutes after cooking is finished.
- Increase the speed only in case of large amount of smoke and vapour and use boost speed(s) only in extreme situations.
- Replace the charcoal filter(s) when necessary to maintain a good odour reduction efficiency.
- Clean the grease filter(s) when necessary to maintain a good grease filter efficiency.
- Use the maximum diameter of the ducting system indicated in this manual to optimize efficiency and minimize noise.

Declaration of conformity

This appliance has been designed, manufactured and marketed in compliance with:

- safety objectives of the “Low Voltage” Directive 2014/35/EU;
- the eco design requirements of european regulations n. 65/2014, and n. 66/2014 in conformity to the european standard en 61591;
- the protection requirements of Directive “EMC” 2014/30/EU.

Electrical safety of the appliance can only be guaranteed if it is correctly connected to an approved earthing system.

IKEA GUARANTEE

How long is the IKEA guarantee valid?

This guarantee is valid for five (5) years - two (2) years if the appliance is named LAGAN or TILLREDA - from the original date of purchase of your appliance at IKEA or from the installation date with maximum limit of three months from the purchase date.

The original sales receipt, is required as proof of purchase.

If service work is carried out under guarantee, this will not extend the guarantee period for the appliance.

Once a warranted product has been replaced, the replaced product warranty will be valid for the balance period from date of original purchase invoice

Who will execute the service?

IKEA service provider will provide the service through its own service operations or authorized service partner network.

What does this guarantee cover?

- The guarantee covers faults of the appliance, which have been caused by faulty construction or material faults from the date of purchase from IKEA or from the installation date with maximum limit of three months from the purchase date.
- This guarantee applies to domestic use only.
- The exceptions are specified under the headline "What is not covered under this guarantee?" Within the guarantee period,
- The costs to remedy the fault e.g. repairs, parts, labour and travel will be covered, provided that the appliance is accessible for repair without special expenditure. On these conditions the respective local regulations are applicable.
- Replaced parts become the property of IKEA.
- In case of non-repairable product, the retail value of the replacement will not exceed the purchase price that was paid by the customer

What will IKEA do to correct the problem?

- IKEA appointed Service Provider will examine the product and decide, at its sole discretion, if it is covered under this guarantee. If considered covered, IKEA Service Provider or its authorized service partner through its own service operations, will then, at its sole discretion, either repair the defective product or replace it with the same or a comparable product.

What is not covered under this guarantee?

- Normal wear and tear.
- Deliberate or negligent damage, damage caused by failure to observe operating instructions, incorrect installation or by connection to the wrong voltage, damage caused by chemical or electrochemical reaction, rust, corrosion or water damage including but not limited to damage caused by excessive lime in the water supply, damage caused by abnormal environmental conditions.
- Consumable parts including batteries and lamps.
- Non-functional and decorative parts which do not affect normal use of the appliance, including any scratches and possible colour differences.
- Accidental damage caused by foreign objects or substances and cleaning or unblocking of filters, drainage systems or soap drawers.
- Damage to the following parts: ceramic glass, accessories, crockery and cutlery baskets, feed and drainage pipes, seals, lamps and lamp covers, screens, knobs, casings and parts of casings. Unless such damages can be proved to have been caused by production faults.
- Cases where no fault could be found during a technician's visit.
- Repairs not carried out by our appointed service providers and/or an authorized service contractual partner or where non-original parts have been used.

- Repairs caused by installation which is faulty or not according to specification
- The use of the appliance in a non-domestic environment i.e. professional use.
- Transportation damages. If a customer transports the product to his home or another address, IKEA is not liable for any damage that may occur during transport. However, if IKEA delivers the product to the customer's delivery address, then damage to the product that occurs during this delivery will be covered by IKEA.
- Damage resulting from power outage, power surges or dips, fluctuating voltage or improper voltage All workout parts are not covered by the guarantee e.g.: filters and cleanliness.
- Cost for carrying out the initial installation of the IKEA appliance. However, if an IKEA appointed Service Provider or its authorized service partner repairs or replaces the appliance under the terms of this guarantee, the appointed Service Provider or its authorized service partner will reinstall the repaired appliance or install the replacement, if necessary.
- All plumbing and electrical installation, are not the responsibility of IKEA, and customer must complete these work before the execution work.

How country law applies

The IKEA guarantee gives you specific legal rights, which cover or exceed all the local legal demands. However these conditions do not limit in any way consumer rights described in the local legislation.

Area of validity

This warranty is valid only in the country where the product has been purchased; the services will be provided in the framework of the guarantee conditions.

An obligation to carry out services in the framework of the guarantee exists only if the appliance complies and is installed in accordance with:

- the technical specifications of the country in which the guarantee claim is made;
- the Assembly Instructions and User Manual Safety Information.

The dedicated AFTER SALES for IKEA appliances

Please don't hesitate to contact IKEA appointed After Sales Service Provider to:

- make a service request under this guarantee;
- ask for clarifications on installation of the IKEA appliance in the dedicated IKEA kitchen furniture;
- ask for clarification on functions of IKEA appliances.

To ensure that we provide you with the best assistance, please read carefully the Assembly Instructions and/or the User Manual before contacting us.

How to reach us if you need our service



Please refer to the last page of this manual for the full list of IKEA appointed Authorized Service Centre and relative national phone numbers.

i In order to provide you a quicker service, we recommend to use the specific phone numbers listed on this manual. Please also always refer to the IKEA article number (8 digit code) placed on the rating plate of your appliance.

i SAVE THE SALES RECEIPT!
It is your proof of purchase and required for the guarantee to apply. The sales receipt also reports the IKEA name and article number (8 digit code) for each of the appliances you have purchased.



UNITED ARAB EMIRATES & OMAN

Toll free: 8 004 532 : رقم مجاني
Web: www.IKEA.com : موقع الإنترنت

QATAR

Toll free: 800 4532 : رقم مجاني
Web: www.IKEA.qa : موقع الإنترنت
e-mail: Ikea_qatar@alfuttaim.com : البريد الإلكتروني

EGYPT

Hotline: 16576 : الخط الساخن
Web: www.IKEA.eg : موقع الإنترنت
e-mail: IkeaCairo.customerservice@alfuttaim.com : البريد الإلكتروني

STATE OF KUWAIT

Contact centre: +965 18 40 40 8 : مركز الاتصال
Web: www.IKEA.com.kw : موقع الإنترنت
e-mail: info@IKEA.com.kw : البريد الإلكتروني

JORDAN

Contact centre: +962 6 400 1000 : مركز الاتصال
Web: www.IKEA.jo : موقع الإنترنت

KINGDOM OF SAUDI ARABIA

Contact centre: 92000-4532 : مركز الاتصال
Our phone lines are open: خطوط الهاتف لدينا مفتوحة:
Saturday - Thursday 09:00 AM - 10:00 PM السبت - الخميس
Friday 2:00 PM - 10:00 PM يوم الجمعة

BAHRAIN

Contact centre: 80001120 : مركز الاتصال
Our telephone lines are open 09:00 AM - 10:00 PM خطوط الهاتف لدينا مفتوحة طوال اليوم
all day

كيف تصل إلينا إذا احتجت لمساعدتنا



يرجى الرجوع إلى الصفحة الأخيرة من هذا الدليل للاطلاع على قائمة كاملة بمراكز الخدمة المعتمدة من IKEA وأرقام الهواتف الخاصة بها.

- تكلفة تنفيذ عملية التركيب الأساسي لجهاز IKEA. إذا قام مقدم خدمة معتمد من IKEA أو وكيل الخدمة المعتمد الخاص به بإصلاح الجهاز أو استبداله وفقاً لأحكام هذا الضمان، سيقوم مقدم خدمة معتمد من IKEA أو وكيل الخدمة المعتمد الخاص به بإعادة تركيب الجهاز بعد إصلاحه أو الجهاز الجديد عند اللزوم.
- شركة IKEA ليست مسؤولة عن جميع التركيبات الصحية والكهربائية، ينبغي على العميل تنفيذ هذا الأعمال قبل التركيب.

كيف تسري القوانين المحلية

يعطيك ضمان IKEA حقوق قانونية محددة تغطي أو تتجاوز كافة المتطلبات القانونية المحلية. إلا أن هذا الوضع لا يحد بأي حال من حقوق العميل التي تحددها التشريعات المحلية.

نطاق السريان

يسري هذا الضمان على البلد التي تم الشراء فيها، يتم تقديم الخدمات في إطار شروط الضمان.

لا يوجد إلزام بتنفيذ الخدمات المتاحة في إطار الضمان إلا في حالة مطابقة الجهاز وتركيبه وفقاً للآتي:

- المواصفات الفنية بالدولة التي تتم المطالبة فيها بحقوق الضمان،
- تعليمات التركيب ومعلومات السلامة الواردة في دليل المستخدم.

مراكز خدمة ما بعد البيع المخصصة لأجهزة IKEA

يرجى الاتصال بخدمة ما بعد البيع المعنية من IKEA لغرض:

- تقديم طلب خدمة في إطار هذا الضمان،
 - الاستفسار بشأن تركيب جهاز IKEA في أثاث مطبخ IKEA المخصص،
 - الاستفسار عن وظائف أجهزة IKEA.
- لضمان توفير أفضل خدمة لك يرجى قراءة تعليمات التركيب بعناية و/أو دليل المستخدم قبل الاتصال بنا.



لتقديم الخدمة بشكل أسرع ننصح باستخدام الأرقام الهاتفية المبينة في هذا الدليل. يرجى أيضاً الرجوع دائماً إلى رقم الصنف الخاص بسلسلة IKEA (الرمز المكون من 8 أرقام) الموجود على لوحة الصنع الخاصة بجهازك.



احتفظ بفاتورة الشراء!

فهو الدليل الذي يثبت شراؤك للمنتج وهي ضرورة لسريان الضمان. تحتوي فاتورة الشراء على اسم شركة IKEA ورقم الصنف (الكود المكون من 8 أرقام) لكل جهاز قمت بشرائه.

ضمان IKEA

ما هي مدة سريان ضمان IKEA؟

يسري هذا الضمان لمدة خمسة (5) أعوام - عامين (2) إذا كان مسمى الجهاز LAGAN أو TILLREDA - منذ التاريخ الأصلي لشراء جهازك من IKEA أو من تاريخ التركيب بحد أقصى ثلاثة أشهر من تاريخ الشراء.

فاتورة الشراء الأصلية مطلوبة كإثبات للشراء. في حالة إجراء أعمال خدمة في إطار الضمان فلن يمدد هذا فترة ضمان الجهاز.

في حالة استبدال المنتج في الضمان، سيكون ضمان المنتج المستبدل سارياً لفترة محددة من تاريخ فاتورة الشراء الأصلية

من سيقوم بتنفيذ أعمال الخدمة؟

يقوم مقدم خدمة IKEA ببتاحة الخدمة من خلال قسم أعمال الخدمة الخاص به أو شبكة وكلاء خدمة معتمدين.

ما الذي يغطيه الضمان؟ يغطي الضمان عيوب الجهاز الناتجة عن عيوب الصناعة أو عيوب الخامات بدءاً من تاريخ الشراء من IKEA أو من تاريخ التركيب بحد أقصى ثلاثة أشهر من تاريخ الشراء.

يسري هذا الضمان في حالة الاستخدام المنزلي فقط.

• الاستثناءات عن هذا الضمان واردة تحت العنوان « ما الذي لا يغطيه الضمان؟» خلال فترة الضمان،

• يتم تغطية نفقات إصلاح الأعطال، على سبيل المثال

الإصلاحات والأجزاء والمصنوعات وبدلات الانتقال بشرط أن يكون الجهاز متاحاً للإصلاح دون الحاجة إلى نفقات خاصة. في هذه الظروف، تنطبق اللوائح المحلية المعنية.

• الأجزاء المستبدلة تصبح مملوكة لشركة IKEA.

• إذا كان المنتج غير قابل للإصلاح، لن تتجاوز قيمة البيع بالتجزئة لاستبدال سعر الشراء المدفوع من قبل العميل

ما الذي تفعله شركة IKEA لحل المشكلة؟

• يقوم مقدم الخدمة المعتمد من قبل شركة IKEA بفحص الجهاز، ويقرر بناء على تقديره الخاص ما إذا كان المشكلة داخلة في إطار تغطية الضمان. في حالة اعتبار المشكلة داخل إطار تغطية الضمان سيقوم مقدم خدمة IKEA أو وكيل الخدمة المعتمد من خلال قسم أعمال الخدمة الخاص به إما بإصلاح المنتج المعيب أو استبداله بنفس المنتج أو منتج شبيه، وفقاً لتقديره الخاص.

ما الذي لا يغطيه الضمان؟

• الإهتراء والاستهلاك الطبيعي.

• الأضرار المتعمدة أو الناتجة عن الإهمال، الأضرار الناتجة عن عدم اتباع تعليمات التشغيل، التركيب غير الصحيح أو في حالة التوصيل بقيمة جهد كهربائية خاطئة، الأضرار

الناتجة عن التفاعلات الكيميائية أو الكهروكيميائية، الصدأ، التآكل أو الماء، ويتضمن ذلك على سبيل المثال لا الحصر، الضرر الناتج عن زيادة نسبة الكالسيوم في ماء الصنبور،

الأضرار الناتجة عن الظروف البيئية غير الطبيعية.

• الأجزاء المستهلكة بما في ذلك البطاريات واللمبات.

• الأجزاء غير الوظيفية وأجزاء الزينة التي لا تؤثر على

الاستخدام العادي للجهاز، بما في ذلك أي خدوش أو تغير في اللون.

• الضرر غير المتعمد الناتج عن الأجسام أو المواد الخارجية وعن التنظيف إزالة انسدادات الفلاتر أو أنظمة الصرف أو أدراج الصابون.

• الأضرار في الأجزاء التالية: الزجاج الخزفي، الملحقات،

سلال الأواني الخزفية وأدوات المائدة، أنابيب الإمداد

والصرف، موانع التسريب، اللمبات وأغطية اللمبات،

الشاشات، المفاتيح، اللعب وأجزاء اللعب. إلا أن يتم إثبات

أن هذه الأضرار ناتجة عن أخطاء في الصناعة.

• اللعب طالما لم توجد بها عيوب أثناء زيارة الفني.

• الإصلاحات التي لم تتم عن طريق مزودي الخدمة المحددين و/أو وكيل الخدمة المعتمد الذي تم التعاقد معه أو في حالة عدم تركيب الأجزاء الأصلية.

• الإصلاحات الناتجة عن التركيب غير الصحيح أو الذي تم

بشكل مخالف للمواصفات

• استخدام الجهاز في غير الأغراض المنزلية، على سبيل

المثال الاستخدام التجاري.

• الأضرار الناتجة عن النقل. إذا قام العميل بنقل الجهاز إلى

منزله أو إلى عنوان آخر، فإن شركة IKEA غير مسؤولة

عن أية أضرار تنشأ أثناء النقل. أما إذا قامت شركة IKEA

بتسليم المنتج في عنوان العميل فتنحصر مسؤولية شركة IKEA

المسؤولية عن الأضرار التي قد تنشأ أثناء عملية النقل.

• التلقيات الناتجة عن انقطاع التيار أو اندفاعه أو انخفاضه


المفاجئ أو تذبذب الجهد أو الجهد غير الصحيح وجميع

الأجزاء الاستهلاكية لا يغطيها الضمان، على سبيل المثال:

الفلاتر والنظافة.


متطلبات الحفاظ على البيئة

التخلص من مواد التغليف

- المادة المستخدمة للتغليف يمكن إعادة استخدامها بنسبة 100%، وهي تحمل رمز إعادة التدوير . ولذلك يجب التخلص من أجزاء التغليف بشكل مسؤول وفي ظل الالتزام التام بلوائح الجهة المحلية المختصة التي تحكم عملية التخلص من المخلفات.

التخلص من المنتج

- هذا الجهاز مميز حسب المواصفة الأوروبية EU/19/2012، الأجهزة الكهربائية والإلكترونية القديمة (WEEE).
- من خلال التأكد من التخلص من هذا المنتج بالطريقة الصحيحة سوف تساعد في منع النتائج السلبية المحتملة للبيئة وصحة الإنسان، التي قد تنتج بخلاف ذلك عن التعامل غير الصحيح مع هذا المنتج.

- يشير الرمز  الموجود على المنتج أو على المستندات المرفقة إلى أنه ينبغي عدم التعامل مع هذا المنتج على أنه من المخلفات المنزلية، ولكن يجب تسليمه إلى مركز تجميع ملائم لإعادة تدوير الأجهزة الكهربائية والإلكترونية.

تجهيز الأجهزة المنزلية

- هذا الجهاز مُصنَّع من مواد قابلة لإعادة التدوير أو قابلة لإعادة الاستخدام. تخلص منه وفقاً للوائح المحلية الخاصة بالتخلص من المخلفات. قبل التخلص من الجهاز، قم بقطع سلك التيار الكهربائي.
- للمزيد من المعلومات حول التعامل مع الأجهزة المنزلية الكهربائية وتجديدها وإعادة تدويرها، اتصل بالجهة المحلية المختصة أو خدمة تجميع المخلفات المنزلية أو المتجر الذي اشترت منه الجهاز.

نصائح توفير الطاقة

- قم بتشغيل الشفاط على أدنى سرعة عندما تبدأ في الطهي مع الاحتفاظ به مشغلاً لبضع دقائق بعد إنهاء الطهي.
- لا تقم بزيادة السرعة إلا في حالة وجود كمية كبيرة من الدخان والبخار ولا تستخدم السرعة (السرعات) المعززة إلا في المواقف الشديدة.
- استبدل فلتر (فلاتر) الفحم النباتي عند اللزوم للحفاظ على فعالية عالية في تقليل الروائح غير المستحبة.
- قم بتنظيف فلتر (فلاتر) الدهون عند اللزوم للحفاظ على فعالية عالية لفلتر الدهون.
- استخدم القطر الأقصى لنظام القنوات المبين في هذا الدليل لغرض زيادة الفعالية وتقليل مستوى الضجيج لأدنى درجة.

بيان المطابقة

تم تصميم وتصنيع وتسويق هذا الجهاز بالتوافق مع:

- أغراض السلامة لمواصفة "الجهد المنخفض" EU/35/2014،
- متطلبات التصميم الصديق للبيئة الواردة باللوائح الأوروبية رقم 2014/65 و رقم 2014/66 بالتوافق مع المواصفة الأوروبية EN 61591،
- متطلبات الحماية الواردة بمواصفة "التوافق الكهرومغناطيسي" EU/30/2014.
- لا يمكن ضمان السلامة الكهربائية للجهاز إلا حال توصيله بشكل صحيح بنظام تأريض معتمد.

ما العمل عندما ...

المشكلة	السبب المحتمل	الحل
الجهاز لا يعمل	لا يوجد تيار كهربائي	تأكد من توصيل التيار الكهربائي. أوقف الجهاز ثم أعد تشغيله للتحقق مما إذا كان العطل لا يزال قائماً.
	الجهاز غير متصل بمصدر الكهرباء	تحقق مما إذا كان الجهاز متصلاً بمصدر الكهرباء. أوقف الجهاز ثم أعد تشغيله للتحقق مما إذا كان العطل لا يزال قائماً.
مستوى الشفط غير كافي بالشفط	سرعة الشفط منخفضة للغاية	تحقق من سرعة الشفط واضبطها عند اللزوم.
	فلتر الدهون متسخة 3	تحقق من نظافة الفلاتر إن لم تكن الفلاتر كذلك، قم بتنظيفها في غسالة الأطباق.
	فلتر الروائح الكريهة متسخة	تأكد من غسل فلتر الروائح الكريهة على النحو الصحيح الموصى به
	فتحات الهواء مسدودة	افحص فتحات الهواء بحثاً عن أية انسدادات وتخلص منها عند الضرورة.
المبة لا تعمل	لمبة LED مكسورة 4	للحصول على لمبات بديلة، اتصل بمركز الخدمة المعتمد.

قبل الاتصال بمركز الخدمة المعتمد:

- نوع العطل؛
- الطراز،
- النوع والرقم التسلسلي للجهاز (المحددة على لوحة الصنع)،
- رقم الخدمة (الرقم الوارد بعد كلمة Service على لوحة الصنع داخل الجهاز).

إذا لم يعمل الجهاز بشكل صحيح بعد إجراء الفحوصات الواردة في دليل تحري الأعطال وتشغيل الجهاز مرة أخرى، فاتصل بمركز الخدمة المعتمد وشرح المشكلة بوضوح وحدد:

SERVICE 0000 000 00000



صيانة فلتير الكربون (إذا كان الشفاط مركبا في وضع إعادة التدوير)

1. انزع القابس أو افصل مصدر الكهرباء.
2. اخلع فلتير الدهون
3. إذا كانت فلاتر الكربون مركبة بالفعل (فلتران يغطيان الشبكات الواقية الخاصة بعنفة الموتور) ووجب تغييرها، أدر المقبض الأوسط عكس اتجاه حركة عقارب الساعة لتحرير قفلهم.
4. افتح غلافي الفلتير
5. أخرج الحشيتين الدائرتين
6. قم بتنفيذ الخطوات بترتيب عكسي لتركيب الفلاتر الجديدة.
7. أعد تركيب فلاتر الدهون.

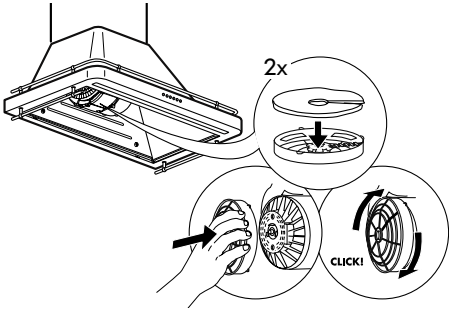
على عكس فلاتر الكربون التقليدية، ينبغي غسل فلاتر الكربون هذه وإعادة تشغيلها.

العناية والتنظيف من الأمور التي تطل عمر فلتير الكربون

- ينبغي غسل فلتير الروانج الكريهة وإعادة تجديده كل 3-4 أشهر (أو بشكل أكثر تكرارا إذا كان الشفاط يتعرض لاستخدام مكثف)، حتى إلى 8 دورات إعادة تجديد كحد أقصى (في حالة الاستخدام المكثف للغاية ننصح بعدم تجاوز 5 دورات).

عملية إعادة التجديد:

- قم بالغسل في غسالة الأطباق عند درجة حرارة تبلغ 70° كحد أقصى أو اغسل يدويا في ماء ساخن دون استخدام إسفنجات خشنة (لا تستخدم مواد تنظيف!)
- قم بالتجفيف في فرن عند درجة حرارة تبلغ 70° كحد أقصى لمدة ساعتين أو في درجة حرارة الغرفة، أوقف الفلتير في وضع رأسي لتسهيل التصريف.



صيانة اللمبة

الشفاط مزود بنظام إضاءة يعتمد على تقنية LED.

تضمن لمبات LED إضاءة مثالية، لفترة أطول بمعدل 10 مرات عن المبات التقليدية وتتيح توفير طاقة كهربائية بنسبة 90%.

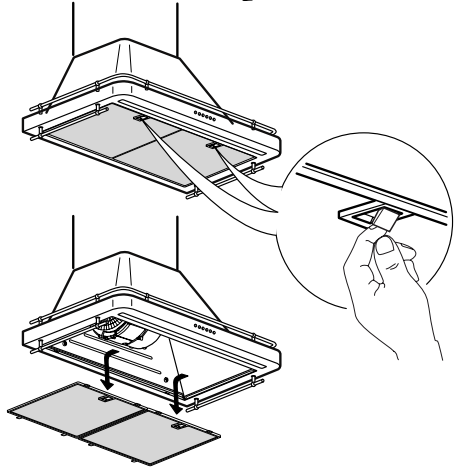
للحصول على لمبات بديلة، اتصل بمركز الخدمة المعتمد.

لتنظيف فلتير الدهون

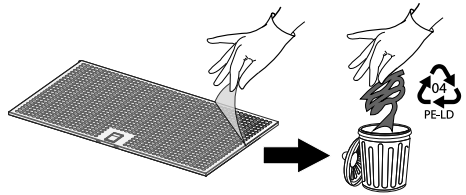
يتمتع فلتير الدهون المعدني بعمر افتراضي لا محدود ويتعين تنظيفه مرة واحدة في الشهر باليد أو في غسالة الأطباق على درجة حرارة منخفضة وفي دورة قصيرة. قد يصبح فلتير الدهون باهت اللون عند تنظيفه في غسالة الأطباق، وهذا لا يؤثر على كفاءته في الفلترة.

صيانة فلتير الدهون:

1. افصل الجهاز عن الكهرباء أو افصل مصدر الكهرباء.
2. خلع فلاتر الدهون: اسحب مقبض التحرير النابضي ثم اخلع الفلتير لأسفل.
3. بعد تنظيف فلتير الدهون، أعد تركيبه بترتيب عكسي مع التأكد من تغطية سطح الشفط بالكامل.

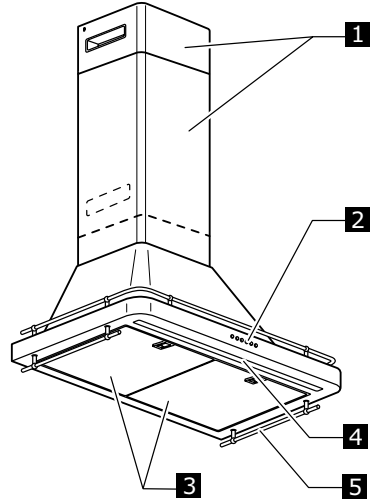


يجب التخلص من عنصر حماية فلتير الشحوم كمواحد PE-LD 04، وفقاً للوائح المحلية.

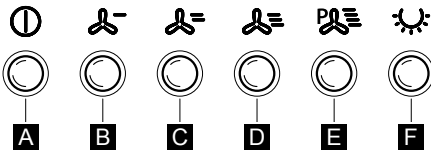


شرح المنتج

- 1 مدخنة تليسكوبية.
- 2 لوحة التحكم.
- 3 فلتر الدهون.
- 4 اللمبة.
- 5 حامل المغرفة.



لوحة التحكم



ملاحظة: يرجى العلم بأنك ستجد تأخيرا لمدة 5 ثوان عند تحويل الشفاط إلى وضع قدرة الشفط 1 مباشرة (من أي سرعة أخرى) نظرا لتحكم العناصر الإلكترونية في المنتج.

A زر إيقاف الموتر

B زر اختيار قدرة الشفط 1.

C زر اختيار قدرة الشفط 2.

D زر اختيار قدرة الشفط 3.

E زر اختيار قدرة الشفط 4.

محدد لمدة 5 دقائق

F زر تشغيل/إيقاف اللمبة.

ملاحظة: عند تشغيل اللمبة، يمكنك تعديل شدة الضوء من خلال الضغط على الزر والاحتفاظ به مضغوطة

التنظيف والصيانة



تحذير:

مهم: لا تستخدم إسفنجات كاشطة أو كاشطات معدنية أو ليف تنظيف معدني. مع مرور الوقت سوف تؤدي إلى إتلاف السطح.

- استخدم مواد التنظيف المصممة خصيصا لتنظيف الجهاز واتبع تعليمات الجهة الصانعة.

هام: قم بتنظيف الفلاتر كل شهر على الأقل للتخلص من أي بقايا زيت أو دهن.

- لا تستخدم أبدا أجهزة التنظيف البخار.
- افصل الجهاز عن مصدر الإمداد بالكهرباء.

هام: لا تستخدم منظفات أكالة أو كاشطة. إذا لامس الجهاز أي من هذه المنتجات بدون قصد، قم بتنظيفه على الفور بقطعة قماش مبللة.

نظف الأسطح باستخدام قطعة قماش مبللة. وإذا كانت الأسطح متسخة للغاية، فأضف بضع قطرات من منظف غسيل الأطباق إلى المياه. وجففها في النهاية باستخدام قطعة قماش جافة.

استخدم

هام: تأكد من تدوير الهواء بشكل مناسب حول الشفاط.
هام: إذا كان الشفاط موردا بدون فلاتر كربون، فيجب تركيبها أولا قبل استخدام الشفاط. تتوفر الفلاتر في متاجر IKEA.

يجب تركيب الشفاط بعيدا عن النطاقات المتسخة بشدة والنوافذ والأبواب ومصادر الحرارة.
 لا يتم توريد الكماليات الخاصة بالتنبيت في الحوائط نظرا لأن الحوائط المصنوعة من خامات مختلفة تتطلب أنواعا مختلفة من الكماليات للتنبيت. احرص على استخدام أنظمة تنبيت مناسبة للحوائط في منزلك وملائمة لوزن الجهاز. للمزيد من التفاصيل، اتصل بالموزع المتخصص. احتفظ بهذا الدليل للرجوع إليه عند الحاجة.

تم تصميم الشفاط للتركيب والاستخدام باعتباره "جهاز للشفط" أو "جهاز لإعادة التدوير".



جهاز للشفط (انظر الرمز في كتيب التركيب)

يتم شفط أبخرة الطهي وطردها خارج المنزل عبر قناة التصريف (غير موردة) التي يتم تركيبها بمنفذ تصريف البخار بالشفاط.
 تأكد من تركيب قناة التصريف بمنفذ الهواء والوحدة على النحو الصحيح وذلك باستخدام نظام توصيل مناسب.
هام: إذا كانت مركبة بالفعل، فاخلع فلتر/فلاتر الكربون.

جهاز لإعادة التدوير



(انظر الرمز في كتيب التركيب)

يتم فلتر الهواء عبر فلتر أو أكثر من فلاتر الكربون ثم يتم إدخاله إلى الغرفة.

التركيب والتوصيل

وفي حالة وجود مشكلات، اتصل بمركز الخدمة المعتمد. ولتجنب حدوث أية أضرار، لا تخرج الجهاز من عبوة التغليف إلا وقت التركيب.

التحضير للتركيب

تحذير: هذا المنتج ثقيل الوزن، يجب رفع الشفاط وتركيبه بواسطة شخصين أو أكثر. يجب أن يكون الحد الأدنى للمسافة بين الموقد والجانب السفلي للشفاط 65 سم على الأقل بالنسبة للمواقد العاملة باحتراق الغاز أو السوائل الأخرى و 50 سم بالنسبة للمواقد الكهربائية. وقيل التركيب، تحقق أيضا من الحد الأدنى للأبعاد الموضحة في دليل استخدام الموقد. إذا كان دليل تركيب الموقد ينص على تحديد مسافة أكبر بين الموقد والشفاط، فيجب مراعاة هذه المسافة.

التوصيل الكهربائي

تأكد من تطابق الجهد الكهربائي الموضح على لوحة صنع الجهاز مع جهد الشبكة الكهربائية. قد توجد هذه المعلومات داخل الشفاط أسفل فلتر الدهون. يجب أن يقوم فني كهرباء باستبدال كابل الطاقة (نوع H05 VV-F). اتصل بمركز خدمة معتمد.

إذا كان الشفاط مجهزا بقباس كهربائي، قم بتوصيل الجهاز بمقبس يتطابق مع التشريعات السارية ويكون في مكان يسهل الوصول إليه.

تحذير: في حالة عدم التجهيز بقباس

⚠️ (سلك مباشر بالتيار الكهربائي)، أو كان المقبس في مكان يتعدّر الوصول إليه، يجب أن يقوم فني كهرباء مؤهل بتهيئة مفتاح كهربائي قياسي ثنائي الأقطاب حيث يوفر عزل كامل عن مصدر الكهرباء في حالة حدوث فلتية زائدة من الفئة III، وبالتوافق مع قواعد توصيل الأسلاك.

- يعتبر تاريض هذا الجهاز إجباري.
 - (غير ممكن مع الشفطات من الفئة II)
 - المميزة بالرمز □ على لوحة البيانات).
 - لا تنزع كابل مصدر الكهرباء لفصل الجهاز عن التيار.
 - يجب ألا يتسنى للمستخدم إمكانية الوصول إلى الأجزاء الكهربائية بعد التركيب.
 - لا تلمس الجهاز بأي جزء مبتل من جسمك ولا تقم بتشغيله وأنت حافي القدمين.
 - يمكن استخدام هذا الجهاز من قبل الأطفال بدءاً من عمر 8 سنوات فما فوق، وكذلك بواسطة الأشخاص الذين يعانون من نقص في القدرات البدنية والحسية والعقلية أو الأشخاص الذين لديهم نقص في الخبرة والمعرفة إذا تم مراقبتهم وتوجيههم إلى كيفية استخدام الجهاز بطريقة آمنة وإدراكهم للمخاطر المتعلقة بذلك. يجب ألا يعبت الأطفال بهذا الجهاز. ولا يجوز قيام الأطفال بعمليات التنظيف والصيانة دون إشراف.
 - يجب أن تتم جميع أعمال الصيانة الأخرى بمعرفة فني متخصص.
 - عند الثقب في الحائط، توخ الحذر من إلحاق الضرر بالوصلات الكهربائية و/أو الأنابيب.
 - يجب أن تكون فتحات الهواء مهيأة للتصريف للخارج دائماً.
 - ولا تتحمل الجهة الصانعة أية مسؤولية عن أية أضرار ناتجة عن الاستخدام غير السليم أو الإعداد غير الصحيح.
 - أعمال التنظيف والصيانة الصحيحة تضمن توفير حالة التشغيل الجيدة والأداء الأمثل للجهاز. احرص على تنظيف الاتساخات العنيدة من الأسطح بصفة دورية لتجنب تراكم الدهون. وقم بخلع وتنظيف أو تغيير الفلتر بصفة دورية. يجب القيام بذلك وفقاً لتعليمات «التنظيف والصيانة» الواردة.
 - لا تقم أبداً بتحضير الطعام المشتعل (فلامبيه) أسفل الجهاز. استخدام اللهب المكشوف قد يؤدي لاشتعال حريق.
 - عدم الالتزام بتعليمات تنظيف الشفاط وتغيير الفلاتر قد يؤدي لاشتعال حرائق.
 - لا يجب أن يتم تصريف هواء العادم عبر المداخن المستخدمة لإزالة الدخان الناتج عن الأجهزة العاملة باحتراق الغاز أو أنواع وقود أخرى، ويجب أن يشتمل على منفذ منفصل. ويجب الالتزام بجميع التشريعات المحلية المعنية بمراقبة شفاط الدخان.
 - يجب توفير تهوية مناسبة في حالة استخدام الشفاط في نفس الوقت الذي يُستخدم فيه أجهزة عاملة بالغاز أو المواد المحترقة الأخرى. الضغط السالب في الغرفة يجب ألا يتجاوز 4 باسكال (5-10 x 4 بار). ولذلك تأكد من تهوية الغرفة المعنية بشكل جيد.
 - إذا ساورك الشك، يرجى استشارة مركز المساعدة والخدمة المعتمد أو شخص بنفس التأهيل.
 - لا تترك القلابات بدون مراقبة عند القلي، نظراً لاحتمالية اشتعال زيت القلي.
 - تأكد من برودة لمبات المصابيح قبل لمسها.
 - تجنب استخدام أو ترك الشفاط بدون تركيب لمبة المصباح بشكل صحيح، لأنها قد تتسبب في الصعق الكهربائي.
 - لا يعتبر الشفاط سطحا للعمل، لذلك لا تضع أية أشياء على سطحه أو تعرضه لفرط التحميل.
 - واحرص على ارتداء قفازات عمل مناسبة أثناء أعمال التركيب والصيانة.
 - هذا الجهاز غير مناسب للاستخدام في الهواء الطلق.
- تحذير:** أثناء استخدام الموقد، قد تصبح أجزاء الشفاط التي يمكن الوصول إليها ساخنة.

المحتويات

10	ما العمل عندما ...	4	معلومات السلامة
11	البيانات الفنية	7	استخدم
12	متطلبات الحفاظ على البيئة	8	شرح المنتج
13	ضمان IKEA	8	لوحة التحكم
		8	التنظيف والصيانة

معلومات السلامة

قبل الاستخدام لأول مرة

سلامتك وسلامة الآخرين أمر بالغ الأهمية. قم بإزالة قطع الحماية الكرتونية والغلاف الواقي والمصقات من الكماليات. تأكد من عدم حدوث أية أضرار بالجهاز أثناء النقل.

لا تضع أية أوزان على الجهاز لتجنب تلفه. لا تُعرض الجهاز للعوامل الجوية. يقدم هذا الدليل والجهاز نفسه تحذيرات هامة خاصة بالسلامة، يجب قراءتها ومراعاتها في جميع الأوقات.

هذا هو رمز التنبيه، المتعلق بالسلامة، الذي ينبه المستخدمين إلى المخاطر المحتملة عليهم وعلى الآخرين. جميع تحذيرات السلامة مسبوقه برمز التنبيه والمصطلحات التالية:

⚠️ خطر: يشير إلى موقف خطر يتسبب في إصابة بالغة في حالة عدم تجنبه.

⚠️ تحذير: يشير إلى موقف خطر قد يتسبب في إصابة بالغة في حالة عدم تجنبه.

تقدم جميع تحذيرات السلامة تفاصيل معينة متعلقة بوجود خطر/تحذير محتمل وتشير إلى كيفية تقليل خطر التعرض للإصابات أو الأضرار أو الصدمات الكهربائية الناتجة عن الاستخدام غير الصحيح للجهاز. التزم بالتعليمات الآتية بكل دقة.

الاحتياطات والتوصيات العامة

- يجب إجراء عمليات التركيب والتوصيل الكهربائية بواسطة فني مؤهل، وفقاً لتعليمات الجهة الصانعة وتشريعات السلامة المحلية. لا تقم بإصلاح أي جزء من أجزاء الجهاز أو استبداله ما لم ينص على ذلك بصفة خاصة في دليل الاستخدام.
- يجب فصل الجهاز عن مصدر الكهرباء قبل القيام بأي أعمال تركيب.

⚠️ تحذير: عدم تركيب البراغي أو تثبيت الجهاز وفقاً لهذه التعليمات قد يتسبب في مخاطر كهربائية.

4
ENGLISH

عربي
3

FÖLJANDE

AR

GB



Design and Quality
IKEA of Sweden