

SPARE PARTS BILL OF MATERIAL

Reference date 24/11/2017

IKEA FÖLJANDE

| E-Number / 12NC | Commercial Description | Application | Electrical scheme No. | ECN |
|-----------------|------------------------|-------------|-----------------------|--------|
| 856730600080 | FOLJANDE 30388962 | Ricambi | SEL0135051 | 305172 |

| ID | ID 2 | Code | Description Descrizione | UM | Qty | Predecessor Code | Reference date |
|-----|------|-------------|---|----|-------|------------------|----------------|
| 56 | 0010 | TUB0136527A | BOTTOM CHIMNEY SECTION TB.INF.DATID H.350 IX430 FIN | EA | 1,000 | | |
| 57 | 0011 | TUB0134079A | UPPER CHIMNEY SECTION TB.SUP.DATID H.440 IX430 FIN | EA | 1,000 | | |
| 101 | 0013 | RAC0134087A | SHIM DISTANZ. X RACC.FILTR.USC.LIBERA DATID | EA | 2,000 | | |
| 97 | 0015 | STA0134102A | TELESCOPIC PIPE SUPPORT STA.FIX TUBI SLOT UA+RACC.FILT. | EA | 1,000 | | |
| 8 | 0711 | SUP0100012B | SUPPORTO MOTORE SUP.MOT.ETB140 4P-BLDC | EA | 1,000 | | |
| 122 | 3010 | AGC0134416 | COMPLETE SLIDER AGC TC3VI TST TOND. DATID COUNTRY | EA | 1,000 | | |
| 173 | 3202 | VER0130551 | SIDE MOULDES MOSTR.TUBO RACC.FILTRANTE 148,9MM CROMO | EA | 2,000 | | |
| 429 | 3520 | ECB0132053 | CIRCUIT BOARD PWR BRD 1178 GRNJE+ | EA | 1,000 | | |
| 7 | 4010 | MOT0101194 | MOTOR COUNTERCLOCKWISE ROTATION MOT SISME P0109 BLDC 230V 50HZ | EA | 1,000 | | |
| 84 | 4110 | TRF0129714A | TRASFORMER DRIVER LED (TCI 122251)UL 10W700mA DIMM. | EA | 1,000 | | |
| 20 | 4210 | 2710AV | NOISE FILTER FIL.2x2MH 2x2.2N 0,22U IEC 4A | EA | 1,000 | | |
| 51 | 4840 | CI02HA | POWER CABLE IEC SCHUKO + 3X0, 75 CAVO.AL.1,5 SCHUKO+IEC 3X0,75 | EA | 1,000 | | |
| 49 | 5210 | ECB0101158 | ELETRONIC VARIATOR BLDC CNTRL BRD SISME | EA | 1,000 | | |

SPARE PARTS BILL OF MATERIAL

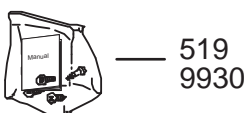
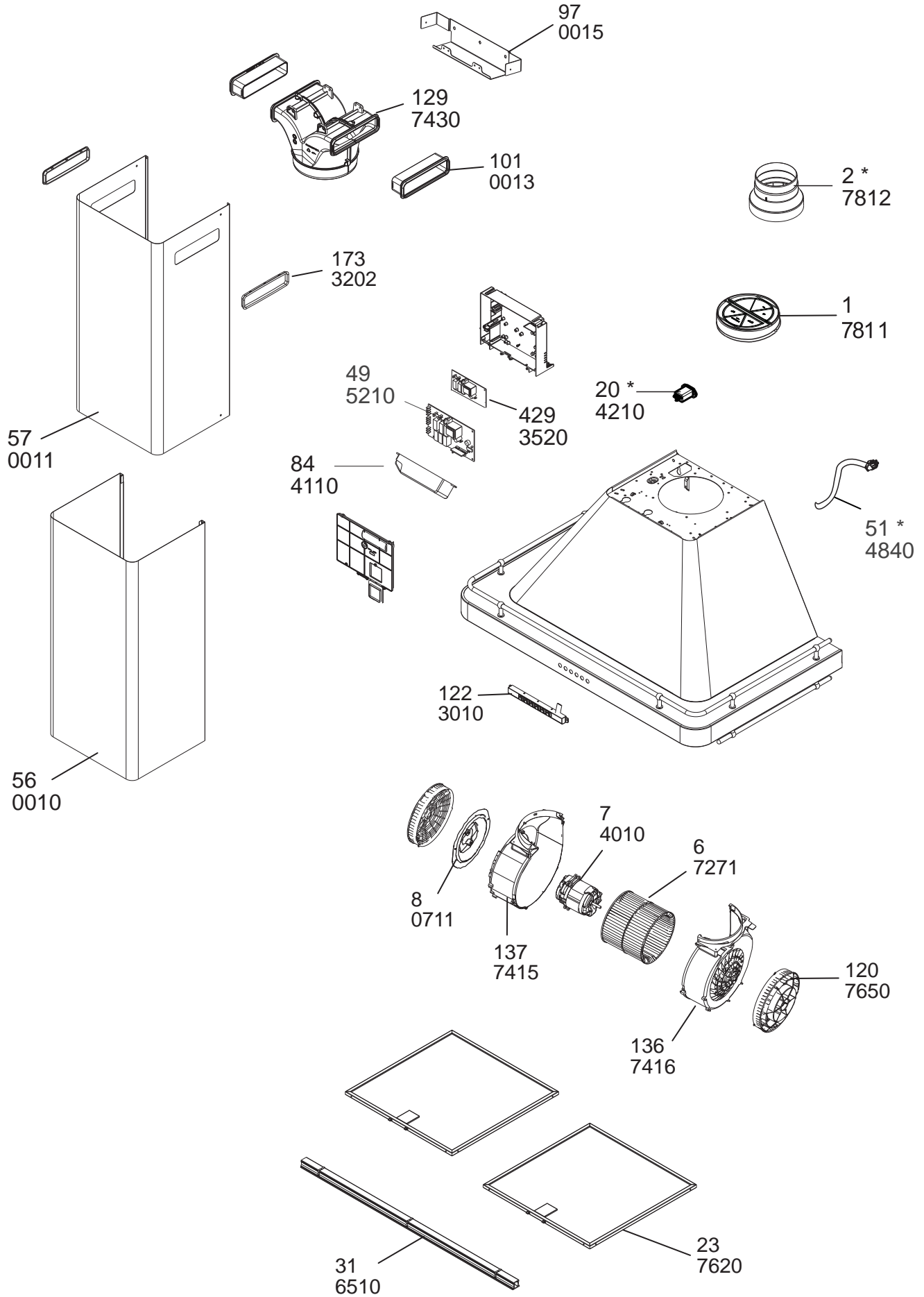
Reference date 24/11/2017

IKEA FÖLJANDE

| E-Number / 12NC | Commercial Description | Application | Electrical scheme No. | ECN |
|-----------------|------------------------|-------------|-----------------------|--------|
| 856730600080 | FOLJANDE 30388962 | Ricambi | SEL0135051 | 305172 |

| ID | ID 2 | Code | Description Descrizione | UM | Qty | Predecessor Code | Reference date |
|-----|------|-------------|---|----|-------|------------------|----------------|
| 31 | 6510 | LMP0128094 | LED MODULE LAMP LED CAB 700mA 7W 3000K SL17 699.7 | EA | 1,000 | | |
| 6 | 7271 | GN01WB | FAN WHEEL COUNTERCLOCKWISE ROTATION GIRAN.C.E.MOT.S.59 PALE D.6. | EA | 1,000 | | |
| 137 | 7415 | CNV0108211C | LEFT HALF CONVEYOR COCLEA SX ETB160 | EA | 1,000 | | |
| 136 | 7416 | CNV0108212C | RIGHT HALF CONVEYOR COCLEA DX ETB160 | EA | 1,000 | | |
| 129 | 7430 | RAC0128735A | T CONNECTION RACC.FILTR.150 USCITA LIBERA TRADITIONAL | EA | 2,000 | | |
| 23 | 7620 | GRI0132718A | GRIGLIA FILTRO GFM 350X350X9 DATID IKEA | EA | 2,000 | | |
| 120 | 7650 | CFC0038668 | KIT CARBON FILTER MOD. 57 KIT FC MOD.57 SING.2PZ | EA | 1,000 | | |
| 1 | 7811 | RAC0138595A | FLANGE + VALVE A.RACCORDO ETB-160 D.150 + VNRF | EA | 1,000 | | |
| 2 | 7812 | 3010EH | MULTI-CONNECTION FLANGE 150/125-120 R.U.A.MULT.XD.150/125-120 PPV2 | EA | 1,000 | | |
| 519 | 9930 | DOC0134089 | DOCUMENTAZIONE DOC.NEW DATID IKEA WE | EA | 1,000 | | |

IKEA FÖLJANDE



* Optional

S10180

see also bill of material

SEL0135051

