

TILLREDA

en
de
fr
nl
da
is
no
fi
sv
cs
es
it
hu
pl
et
lv
lt
pt
ro
sk
bg
hr
el
uk
sr
sl
tr



Design and Quality
IKEA of Sweden

ENGLISH	4
DEUTSCH	17
FRANÇAIS	32
NEDERLANDS	46
DANSK	59
ÍSLENSKA	72
NORSK	85
SUOMI	98
SVENSKA	111
ČESKY	124
ESPAÑOL	137
ITALIANO	150
MAGYAR	163
POLSKI	176
EESTI	189
LATVIEŠU	202
LIETUVIŲ	215
PORTUGUÉS	228
ROMÂNÀ	241
SLOVENSKY	254
БЪЛГАРСКИ	267
HRVATSKI	281
ΕΛΛΗΝΙΚΑ	294
УКРАЇНСЬКА	309
SRPSKI	322
SLOVENŠČINA	335
TÜRKÇE	348

Content

Safety information	4	Care and cleaning	12
Safety instruction	5	Troubleshooting	12
Product description	7	Technical data	13
Indicators	8	Energy efficiency	14
Daily use	9	Environmental concerns	14
Cooking table	10	IKEA Warranty	15
Cookware guidance	10		

Safety information

ⓘ For your safety and correct operation of the appliance, read this manual carefully before installation and use. Always keep these instructions with the appliance even if you move or sell it. Users must fully know the operation and safety features of the appliance.

Correct use

- Do not leave the appliance unattended during operation.
- The appliance is designed exclusively for domestic use.
- The appliance is designed exclusively for indoor use.
- The appliance must not be used as a work surface or as a storage surface.
- Do not place or store flammable liquids, highly inflammable materials or fusible objects (e.g. plastic film, plastic, aluminium) in or near the appliance.
- Watch out when connecting electric appliances to sockets nearby. Do not allow connecting leads to come into contact with or to catch underneath the appliance or hot cookware.
- Do not do repairs yourself to prevent injury and damage to the appliance. Always contact your nearest IKEA store.

Child and vulnerable people safety

- This appliance can be used by children aged from 8 years and above and persons with reduced physical, sensory or mental capabilities or lack of experience and knowledge if they have been given supervision or instruction concerning use of the appliance in a safe way and understand the hazards involved.

- Keep all packaging away from children. There is a risk of suffocation.
- Keep children away from the appliance while in operation as when not in use.
- Children less than 8 years of age shall be kept away unless continuously supervised.
- Children shall not play with the appliance. Cleaning and user maintenance shall not be made by children without supervision.

⚠ **WARNING!** Activate child lock to avoid small children and pets unintentionally switching the appliance on.

General safety

- Keep ventilations openings, in the appliance enclosure or in the built-in structure, clear of obstruction.
- Do not touch the panel when the residual heat indicator is still lit in order to prevent injury.
- Do not insert any object into the induction hob during operation to prevent electric shock.
- Do not wrap the cord around the neck to prevent strangulation hazard.
- A steam cleaner is not to be used for cleaning the appliance.
- Metallic objects such as knives, forks, spoons and lids should not be placed on the hob surface since they can get hot.
- After use, switch off the hob element by its control and do not rely on the pan detector.
- This appliance is not intended to be operated by means of an external timer or separate remote-control system.
- Care should be taken to avoid touching heating elements.

- If the supply cord is damaged, it must be replaced by the manufacturer, the Authorised Service Centre or similarly qualified persons in order to avoid a hazard. Please contact nearest IKEA store.
- This appliance is intended to be used in household and similar applications such as:
 - staff kitchen areas in shops, offices and other working environments;
 - farm houses;
 - by clients in hotels, motels and other residential type environments;
 - bed and breakfast type environments.

- ⚠ **CAUTION:** hot surface, The surfaces are liable to get hot during use.
- ⚠ **WARNING!** If the surface is cracked, switch off the appliance to avoid the possibility of electric shock. Please contact nearest IKEA store.
- ⚠ **WARNING!** The appliance and its accessible parts become hot during use.
- ⚠ **WARNING!** Unattended cooking on a hob with fat or oil can be dangerous and may result in fire. NEVER try to extinguish a fire with water, but switch off the appliance and then cover flame e.g. with a lid or a fire blanket.

Safety instruction

Installation

- Manufacturer is not responsible for any injury to persons and pets or damage to property caused by failure to comply following requirements.
- ⚠ **CAUTION!** To proceed with the installation refer to the Safety Information.
- ⚠ **WARNING!** Installation process must follow the laws, ordinances, directives and standards (electrical safety rules and regulations, proper recycling in accordance with the regulations, etc.) in force in the country of use!
- Avoid installing the appliance next to doors and under windows as hot cookware may be knocked off the hob when doors and windows are opened.
- Make sure that the appliance is not damaged because of transport. Do not connect a damaged appliance.
- Do not install the appliance if it is damaged during the transportation.

- Do not connect the hob with extension cords and do not place the hob with cord across working areas.
- Do not change the specifications or modify this product. Risk of injury and damage to the appliance.
- ⚠ **WARNING!** Carefully obey the instructions for electrical connections.

Electrical connections

- Before connecting, check that the nominal voltage of the appliance stated on the rating plate, corresponds to the available supply voltage. Also, check the power rating of the appliance and ensure that the home's electrical installation is suitably sized to suit the appliance power rating (refer to the Technical data chapter).
- The rating plate is located on the lower casing of the hob.
- ⚠ **WARNING!** Risk of injury from electrical current.
- Loose and inappropriate plug and socket connections can make the terminal overheat.

Before Use:

Please pay attention to the following instructions before use.

- Please use the standard main power supply socket, and regularly check the socket to prevent any damage.
- Do not open the appliance by yourself or any unqualified person. Only repair the appliance by its service agent or similarly qualified technician.
- Please check with the power cord and plug. If the power cord or plug is damaged, please do not use the appliance. Do not pull out the plug with wet hand.
- Do not use the extension power cord, and please use the main power supply socket only.
- If the appliance is not in use for a long period of time, please turn on the appliance to stabilize the electronic component for 10 minutes first. Then, you can start to operate the appliance.
- Do not use the appliance near water, fire or damp area. The appliance is intended to use in indoor household ONLY.
- Remove all packaging, stickers and film remove the appliance before the first use.
- Switch the cooking zones off after each use by its controls and do not rely on pan detector.
- Risk of burns! Do not place objects made of metal, such as knives, forks, spoons and saucepan lids on the cooking surface, as they can get hot.

⚠ WARNING! Fire hazard! Overheated fats oils can ignite very quickly.

⚠ WARNING! Users with implanted pacemakers should keep their upper body at least 30 cm from induction cooking zones that are switched on.

⚠ WARNING! Do not operate the appliance with wet hands and keep control panel surface dry. Lot of water on control panel keys will make them no longer operable.

⚠ WARNING! If the surface is cracked, switch off the appliance to avoid possibility of an electric shock.

During & After use:

Please pay attention to the following instruction to prevent ignition and accidents.

- Please place the appliance on flat and solid surface ONLY.
- Children should be supervised to ensure that they do not play with the appliance.
- Do not place any following objects on the panel when the appliance is operating.
 - a) Stainless steel
 - b) Iron
 - c) Cast iron
 - d) Aluminum
 - e) Lid and enamel
 - f) Knife, fork or spoon
 - g) Plate made of iron, stainless steel, cast iron or aluminum
 - h) Empty cookware
- Do not carry or move the appliance with cookware on top during heating.
- Please maintain a good surrounding environment for ventilation during heating.
- Do not insert any wire or metal objects into the air inlet or air outlet of the appliance.
- How to take care of the panel.
 - a) Do not drop any heavy objects to the panel.
 - b) Do not pour water, acid or any liquid to the panel.
 - c) Do not burn anything with fire on the panel.
 - d) Do not place any hot cookware on top when the appliance is not in use.
 - e) If the surface (panel) is cracked, turn off the appliance immediately to avoid electric shock, and return to nearest IKEA store.
 - f) Some of the cookware may generate a noise during use. Please slightly move the cookware, and the noise may disappear or reduce. If not, please change the cookware.

- Do not place the appliance on carpet, cloth or paper material when the appliance is operating.
- Do not touch the panel while it is hot. The panel is still hot until the residual heat indicator is removed, even if the power is off.
- Do not unplug the appliance by pulling the cable.
- Please turn off the appliance and let cool down before unplug. Please unplug the power cord when the appliance is not going to use for long period of time.
- Keep the cookware away from the appliance after use.

How to avoid damage to the appliance

- The glass ceramic can be damaged by objects falling onto it, or knocked by the cookware.
- Cookware made of cast iron, cast aluminum or with damaged bottoms can scratch the glass ceramic if slide on the surface.

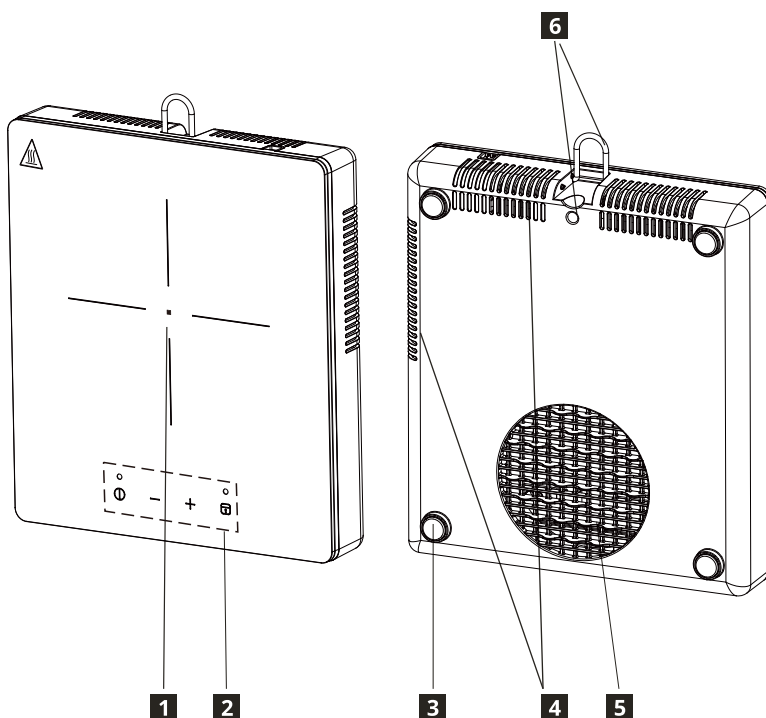
- Glass ceramic can be damaged if also dropped on the floor.
- To avoid damaging cookware and glass ceramics, do not allow saucepans or frying pans to boil dry.
- Do not use the cooking zones with empty cookware or without cookware.
- Never line any part of the appliance with aluminium foil. Never place plastic or any other material which may melt in or on the appliance.

⚠ WARNING! Keep product connected to power socket after use until the fan and the heat indicator has shut off.

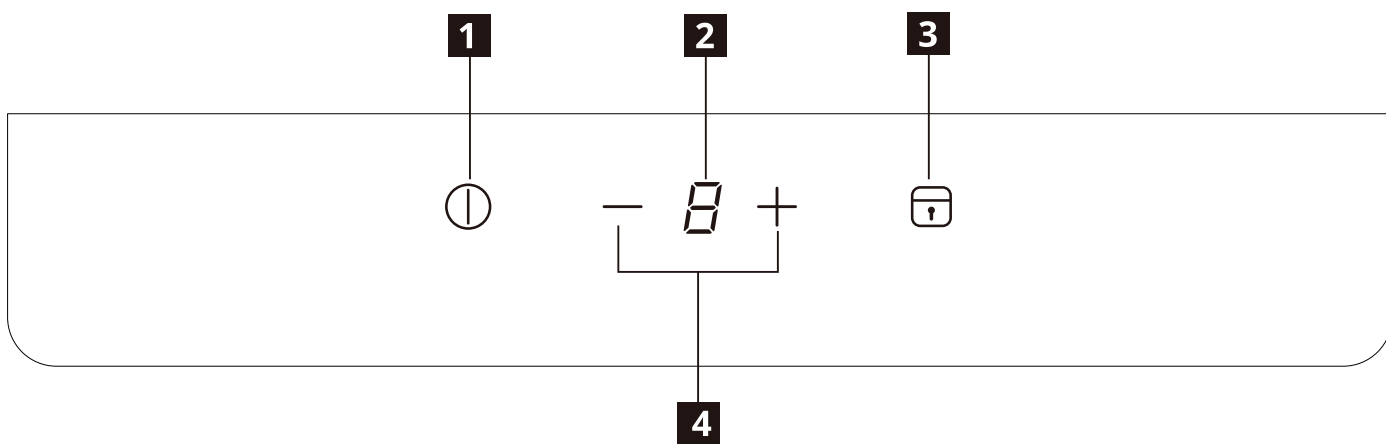
Information on acrylamides

Important! According to the latest scientific knowledge, intensive browning of food, especially in products containing starch, can constitute a health risk due to acrylamides. Therefore, we recommend cooking at the lowest possible temperatures and not browning foods too much.

Product description



- 1** Heating area
Cooking zone 170mm, 2000W
- 2** Control panel
- 3** Silicone feet
- 4** Air outlet
- 5** Air inlet
- 6** Hook hanger



Control panel layout

- 1** On/Off
- 2** Power level display
- 3** Lock/ Child lock
- 4** Power level setting - / +

Touch Control sensor fields and displays

You operate the hob by touching sensor fields. Displays and acoustic signals (short beep) confirm the selection of a function.

Power Level	1	2	3	4	5	6	7	8	9
Power	150W	250W	300W	450W	600W	800W	1100W	1500W	2000W

Indicators

⚠ Pot incorrectly positioned or missing

This symbol appears if the pot is not suitable for induction cooking, is not positioned correctly or is not of an appropriate size for the cooking zone selected. If no pot is detected within 30 seconds of making the selection, the cooking zone switches off.

H Residual heat

If display shows "H", the cooking zone is still hot. When the cooking zone cools down, the display goes off.

⚠ WARNING! Risk of burns from residual heat! After you switch the appliance off, the cooking zones need some time to cool down. Look at the residual heat indicator **H**.

Use residual heat for melting and keeping food warm. Don't disconnect the product without waiting for the **H** to be removed from display.

Daily use



Connecting to socket

1. After insert the plug into main supply, the child lock will be activated. Press and hold the Child Lock key for 3 seconds to deactivate.

On/Off

1. Press the ON/OFF key, the screen will display "0" as in standby mode and the power indicator light will light up. If there is no heat setting selected within 30 seconds, the hob will switch off automatically without pressing the ON/OFF key.
2. Press ON/OFF key during operation, the hob will switch off.



Power level setting

1. Press — or + to control the power level during operation.
2. Press —, the power level will go straight to "9". Press — to decrease the power level from "9" to "1".
3. Press + the power level will increase from "1". Press + to increase the power level from "1" to "9".



Lock function

When the cooking zone operate, you can lock the control panel, for example in order to clean the hob. It prevents an accidental change of the power level setting. The hob can still be shut off by the On/ Off key.

Activate lock

1. Set wanted power level.
2. Press the Lock key for 3 seconds. The function is activated when Lock key indicator is lit up and a sound is given.

Deactivate lock

1. Press the Lock key for 3 seconds. The function is deactivated when the Lock key indicator goes off and a sound is given.
2. The power level will return to the previous setting.

Child lock function

You can also keep control panel locked when the hob is not operating. This function prevents an accidental operation of the appliance.

Activate the child lock

1. Activate the appliance with the ON/OFF key. Do not set any power level.
2. Press the Lock key for 3 seconds. The function is activated when Lock key indicator is lit up and a sound is given.
3. Deactivate the appliance with the ON/OFF key.

Deactivate the child lock

1. Press the Lock key for 3 seconds. The function is deactivated when the Lock key indicator goes off and a sound is given.

Automatic switch off

The function switches the hob off automatically if:

- All cooking zones are switched off.
- YOU do not set the power level after switching on the hob within 30 seconds.
- YOU do not switch a cooking zone off or you do not modify the power level after 2 hours, or if the overheating occurs (e.g. when a pan boils dry).

Cooking table


Heat setting	Use to:	Time (min)	Hints
1	<ul style="list-style-type: none"> Keep cooked food warm. 	as necessary	Put a lid on the cookware.
1-2	<ul style="list-style-type: none"> Hollandaise sauce, melt: butter, chocolate, gelatine. 	5-25	Mix from time to time.
2-3	<ul style="list-style-type: none"> Simmer rice and milkbased dishes, heat up ready-cooked meals. 	25-50	Add at least twice as much liquid as rice, mix milk dishes halfway through the procedure.
4-5	<ul style="list-style-type: none"> Steam vegetables, fish, meat, potatoes. 	20-45	Add a small amount of water.
	<ul style="list-style-type: none"> Cook larger quantities of food, stews. 	60-150	Add a small amount of water.
5-6	<ul style="list-style-type: none"> Gentle fry: veal cordon bleu, cutlets, rissoles, sausages, roux, eggs. 	as necessary	Turn halfway through.
7-8	<ul style="list-style-type: none"> Hash browns, steaks. 	5-15	Turn halfway through.
9	<ul style="list-style-type: none"> Boil water, cook pasta, sear meat (goulash, pot roast), deep-fry chips. 		

Cookware guidance

What pots to use

Only use pots and pans with bottom made from ferromagnetic material which are suitable for use with inductions hobs:

- cast iron
- enamelled steel
- carbon steel
- stainless steel (although not all)
- aluminium with ferromagnetic coating or ferromagnetic plate

To determine if a pot or pan is suitable, check for the  symbol (usually stamped on the bottom). You can also hold a magnet to the bottom. If it clings to the underside, the cookware will work on an induction hob.

To ensure optimum efficiency, always use pots and pans with a flat bottom that distributes the heat evenly. If the bottom is uneven, this will affect power and heat conduction.

How to use

Minimum diameter of pot/pan base for the different cooking areas

To ensure that the hob functions properly, the pot must cover one or more of the reference points indicated on the surface of the hob, and must be of a suitable minimum diameter.

Always use the cooking zone that best corresponds to the diameter of the bottom of the pan.

Cooking zone	Recommended cookware diameter [mm]
Middle rear cooking zone	120-180

Empty or thin-based pots/pans

Do not use empty or thin-based pots/pans on the hob as it will not be able to monitor the temperature or turn off automatically if the temperature is too high, damaging the pan or the hob surface. If this occurs, do not touch anything and wait for all components to cool down.

If an error message appears, refer to "Troubleshooting".

Hint/tips**Noise during cooking**

When a cooking zone is active, it may hum briefly. This is a characteristic of all ceramic glass cooking zones and does not impair the function or life of the appliance. The noise depends on the cookware used. If it causes considerable disturbance, it may help to change the cookware.

Normal operating noises of the induction hob

Induction technology is based on the creation of electromagnetic fields to generate heat directly on the bottom of cookware. Pots and pans may cause a variety of noises or vibrations depending on how they are manufactured.

These noises are described as follows:

Low humming (like a transformer)

This noise is produced when cooking at a high heat level. It is based on the amount of energy transferred from the cooktop to the cookware.

The noise ceases or quiets down when the heat level is reduced.

Quiet whistling

This noise is produced when the cooking vessel is empty. It ceases once liquids or food are placed in the vessel.

Crackling

This noise occurs with cookware made of various materials layered one upon the other. It is caused by the vibrations of the surfaces where different materials meet. The noise occurs on the cookware and can vary depending on the amount of food or liquid and the cooking method (e.g., boiling, simmering, frying).

Loud whistling

This noise occurs with cookware made of different materials layered one upon the other, and when they are additionally used at maximum output and also on two cooking zones. The noise ceases or quiets down when the heat level is reduced.

These sounds are normal Fan noises

For proper operation of the electronic system, it is necessary to regulate the temperature of the cooktop. For this purpose, the cooktop is equipped with a cooling fan, which is activated to reduce and regulate the temperature of the electronic system. The fan may also continue to run after the appliance is turned off if the detected temperature of the cooktop is still too hot after turning it off.

Rhythmic sounds, similar to the ticking sound of a clock

This noise occurs only when at least three cooking zones are operating and disappears or weakens when some of them are switched off.

The noises described are a normal element of the induction technology and should not be regarded as defects.

Care and cleaning

⚠ WARNING! Switch the appliance off and let it cool down before disconnecting it.

⚠ WARNING! Switch the appliance off and let it cool down before you clean it.

⚠ WARNING! For safety reasons, do not clean the appliance with steam blasters or high-pressure cleaners.

⚠ WARNING! Sharp objects and abrasive cleaning agents will damage the appliance. Clean the appliance and remove the residues with water and washing up liquid after each use. Remove also the remnants of the cleaning agents!

i Scratches or dark stains on the glass ceramic that cannot be removed do not affect the functioning of the appliance.

Removing the residues and stubborn residues:

- Food containing sugar, plastics, tin foil residues should be removed at once, best tool for cleaning glass surface is a scraper (not included with the appliance). Place a scraper on the glass ceramic surface at an angle and remove residues by sliding the blade over the surface. Wipe the appliance with a damp cloth and a little washing up liquid. Finally, rub the appliance dry using a clean cloth.
- Limescale rings, water rings, fat splashes, shiny metallic discolorations should be removed after the appliance has cooled down using cleaner for glass ceramic or stainless steel.

Troubleshooting

Problem	Possible Cause	Solution
The appliance does not operate.	Power shortage or power short circuit in the power source of your home.	
	Power connection to socket not performed properly.	Overlook the power supply to hob for correct connection.
	More than 10 seconds have passed since the appliance was switched on.	Switch the appliance on again.
	Child lock is switched on.	Deactivate Child lock. (See the section "Child safety device").
	Several sensor fields were touched at the same time.	Only touch one sensor field.
Appliance stops operating. Error indication: U → U	The cookware is not suitable for induction.	Change to a cookware suitable for induction.
	No cookware on cooking zone or cookware diameter is less than 120mm.	Place cookware on the cooking zone.
Appliance stops operating. Error indication: E → 2	The cookware is empty (dry-boiling) or cooking temperature is too high.	Turn off the appliance and restart after 5 minutes. If E2 persists, please contact nearest IKEA store.
	The air inlet and outlet is being blocked.	
	Surrounding temperature is too high.	
Appliance stops operating. Error indication: E → 3	The main power supply is over AC 275V.	Change to product suitable power supply.
Appliance stops operating. Error indication: E → 4	The main power supply is lower than AC 100V.	Change to product suitable power supply.

Appliance stops operating. Error indication: E → 5	The temperature sensor of the appliance is not working.	Please contact nearest IKEA store.
Appliance stops operating. Error indication: E → 6		
Appliance stops operating. Error indication: E → 0	Internal exception	Turn off the appliance and restart after 5 minutes. If EO persists, please contact nearest IKEA store.

Error code shows when the hob is powered on and error is detected, E and numbers are displayed intermittently (1 second) and circulation.

If there is a fault, try to resolve it by following the troubleshooting guidelines. If the problem cannot be resolved, contact your nearest IKEA store.

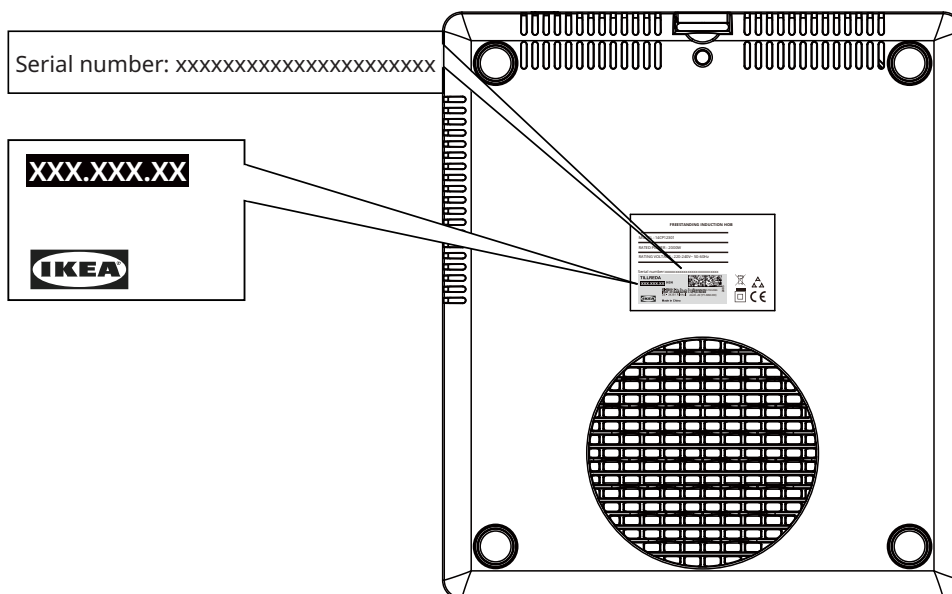
ⓘ If you operated the appliance wrongly, dealer may not take place free of charge, even during the warranty period.

Technical data

Model	14CP12301
Type of hob	Freestanding induction hob
Number of cooking zones and/or areas	1
Rated Power	2000 W
Rated Voltage	220 - 240 V~
Rated Frequency	50 - 60 Hz
Depth	305 mm
Width	270 mm
Height	62 mm
Net Weight	2,33 kg

Serial Number (start with SN, 22-digit code)

Article Number (8-digit code)




Picture for reference only


Energy efficiency

Model identification	14CP12301
Type of hob	Portable appliance
Number of cooking zones	1
Heating technology	Induction
Diameter of circular cooking zones (Ø)	170 mm
Energy consumption per cooking zone (EC electric cooking)	184 Wh/kg
Energy consumption of the hob (EC electric hob)	184 Wh/kg
Product information for power consumption and time to reach the applicable low power mode	off mode: 0.5W
The max time needed to reach the applicable low power mode	5 seconds
Directive 2009/125/EC, COMMISSION REGULATION(EU) No 66/2014, EN 60350-2:2018+A1:2021.	

Environmental concerns


Disposal of household appliances

The symbol  on the product or on its packaging indicates that this product may not be treated as household waste. Instead it should be taken to the appropriate collection point for the recycling of electrical and electronic equipment. By ensuring this product is disposed of correctly, you will help prevent potential negative consequences for the environment and human health, which could otherwise be caused by inappropriate waste handling of this product. For more detailed information about recycling of this product, please contact your local council, your household waste disposal service or the shop where you purchased the product.

 **WARNING!** Do these steps to dispose the appliance:

- Pull the mains plug out of the mains socket.
- Cut off the mains cable and discard it.

Disposal of packaging materials

The materials with the symbol  are recyclable. Dispose the packaging in a suitable collection container to recycle it.

Energy saving

- If possible, always place lids on the pans.
- Place cookware on the cooking zone before you switch it on.
- The bottom of the cookware should be as thick and flat as possible

IKEA Warranty

How long is the IKEA Warranty valid?

This warranty is valid for 2 years from the original date of purchase of Your appliance at IKEA, unless otherwise specified in national legislation. Please go to IKEA.com to find out what applies in your country. The original sales receipt is required as proof of purchase. If service work is carried out under warranty, this will not extend the warranty period for the appliance.

Who will execute the service?

Contact nearest IKEA store.

What does this warranty cover?

The warranty covers faults of the appliance, which have been caused by faulty construction or material faults from the date of purchase from IKEA. This warranty applies to domestic use only. The exceptions are specified under the headline "What is not covered under this warranty?" Within the warranty period, the costs to remedy the fault e.g. repairs, parts, labour and travel will be covered, provided that the appliance is accessible for repair without special expenditure. Replaced parts become the property of IKEA.

What will IKEA do to correct the problem?

IKEA will examine the product and decide, at its sole discretion, if it is covered under this warranty. If considered covered, IKEA will then, at its sole discretion, either repair the defective product or replace it with the same or a comparable product.

What is not covered under this warranty?

- Normal wear and tear.
- Deliberate or negligent damage, damage caused by failure to observe operating instructions, incorrect installation or by connection to the wrong voltage, damage caused by chemical or electrochemical reaction, rust, corrosion or Water damage including but not limited to damage caused by excessive lime in the water supply, damage caused by abnormal environmental conditions.
- Consumable parts including batteries and lamps.

- Non-functional and decorative parts which do not affect normal use of the appliance, including any scratches and possible colour differences.
- Accidental damage caused by foreign objects or substances and cleaning or unblocking of filters, drainage systems or soap drawers.
- Damage to the following parts: ceramic glass, accessories, crockery and cutlery baskets, feed and drainage pipes, seals, lamps and lamp covers, screens, knobs, casings and parts of casings. Unless such damages can be proved to have been caused by production faults.
- Repairs not carried out by our appointed service providers and/or an authorized service contractual partner or where non-original parts have been used.
- Repairs caused by installation which is faulty or not according to specification.
- The use of the appliance in a non- domestic environment i.e. professional use.
- Transportation damages. If a customer transports the product to his home or another address, IKEA is not liable for any damage that may occur during transport. However, if IKEA delivers the product to the customer's delivery address, then damage to the product that occurs during this delivery will be covered by IKEA.
- Cost for carrying out the initial installation of the IKEA appliance. However, if an IKEA appointed Service Provider or its authorized service partner repairs or replaces the appliance under the terms of this warranty, the appointed Service Provider or its authorized service partner will reinstall the repaired appliance or install the replacement, if necessary.

How country law applies

The IKEA warranty gives you specific legal rights, which cover or exceed all the local legal demands. However these conditions do not limit in any way consumer rights described in the local legislation.

Area of validity

For appliances which are purchased in one EU country and taken to another EU country, the services will be provided in the framework of the warranty conditions normal in the new country. An obligation to carry out services in the framework of the warranty exists only if the appliance complies and is installed in accordance with:

- the technical specifications of the country in which the warranty claim is made;
- the Assembly Instructions and User Manual Safety Information.

AFTER SALES for IKEA appliances

Please don't hesitate to contact IKEA to:

- make a service request under this warranty;
- ask for clarification on functions of IKEA appliances.

To ensure that we provide you with the best assistance, please read carefully the Assembly Instructions and/or the User Manual before contacting us.

How to reach us if you need our service



The IKEA after sales customer service centre will assist you on the phone with basic trouble shooting for your appliance at the time of service call request. Please see the IKEA catalogue or visit www.ikea.com to find your local store phone number and opening time.

In order to provide you a quicker service, please also always refer to the IKEA article number (8 digit code) placed on the rating plate of your appliance.

SAVE THE SALES RECEIPT!

It is your proof of purchase and required for the warranty to apply. The sales receipt also reports the IKEA name and article number (8 digit code) for each of the appliances you have purchased.

Do you need extra help?

For any additional questions not related to After Sales of your appliances please contact your nearest IKEA store call centre. We recommend you read the appliance documentation carefully before contacting us.

Inhalt

Sicherheitshinweise.....	17	Reinigung und Pflege.....	26
Sicherheitsanweisungen.....	18	Fehlerbehebung.....	26
Produktbeschreibung.....	21	Technische Daten.....	27
Anzeigen.....	22	Energieeffizienz.....	28
Tägliche Verwendung.....	23	Hinweise zum Umweltschutz.....	28
Kochtabelle.....	24	IKEA-Garantie.....	30
Hinweise zum Kochgeschirr.....	24		

Sicherheitshinweise

ⓘ Bitte lesen Sie diese Bedienungsanleitung vor der Installation und dem Gebrauch des Gerätes sorgfältig durch. Dies dient Ihrer eigenen Sicherheit und der ordnungsgemäßen Bedienung des Gerätes. Bewahren Sie diese Anweisungen immer mit dem Gerät auf, auch wenn Sie das Gerät an einen anderen Ort bewegen oder verkaufen. Benutzer müssen die Bedienungs- und Sicherheitsfunktionen dieses Gerätes im vollen Umfang kennen.

Bestimmungsgemäßer Gebrauch

- Lassen Sie das Gerät während des Betriebs nicht unbeaufsichtigt.
- Dieses Gerät ist ausschließlich für den häuslichen Gebrauch bestimmt.
- Dieses Gerät ist ausschließlich für die Verwendung im Innenbereich bestimmt.
- Dieses Gerät darf weder als Arbeitsoberfläche noch als Ablagefläche verwendet werden.
- Stellen und bewahren Sie keine brennbaren Flüssigkeiten, hoch brennbare Materialien oder Objekte die bei niedrigen Temperaturen schmelzen können (z. B. Kunststofffolie, Kunststoff, Aluminium) auf oder in der Nähe des Gerätes auf.
- Seien Sie vorsichtig, wenn Sie andere elektrische Geräte an Steckdosen anschließen, die sich in der Nähe dieses Gerätes befinden. Anschlussleitungen dürfen nicht in Kontakt mit dem Gerät kommen und sich nicht unter dem Gerät befinden oder sich unter heißem Kochgeschirr verfangen.

- Führen Sie Reparaturen nicht selber aus, um Verletzung oder Beschädigungen des Gerätes zu vermeiden. Wenden Sie sich immer an Ihr nächstgelegenes IKEA-Einrichtungshaus.

Sicherheit von Kindern und schutzbedürftigen Personen

- Dieses Gerät ist zur Verwendung durch Kinder ab 8 Jahren, Personen mit eingeschränkten körperlichen, geistigen oder sensorischen Fähigkeiten und Personen ohne nötige Erfahrung oder ausreichende Kenntnisse vom Produkt geeignet, wenn diese dabei beaufsichtigt werden. Sie müssen vorher in die sichere Verwendung des Gerätes eingewiesen worden sein und die damit verbundenen Gefahren verstehen.
- Halten Sie das Verpackungsmaterial von Kindern fern. Es besteht Erstickungsgefahr.
- Halten Sie Kinder von dem Gerät fern. Dies gilt sowohl während der Benutzung des Gerätes als auch dann, wenn das Gerät nicht verwendet wird.
- Kinder unter 8 Jahre sollten von dem Gerät ferngehalten werden, es sei denn, sie befinden sich unter Aufsicht eines Erwachsenen.
- Kinder dürfen nicht mit dem Gerät spielen. Reinigungs- und Wartungsarbeiten dürfen von Kindern nicht unbeaufsichtigt durchgeführt werden.

⚠ **WARNUNG!** Aktivieren Sie die Kindersicherung, um zu vermeiden, dass kleine Kinder und Haustiere das Gerät versehentlich einschalten.

Allgemeine Sicherheitshinweise

- Halten Sie die Belüftungsöffnungen in der Geräteverkleidung oder in der Einbaustruktur stets frei von Hindernissen.
- Um Verletzungen zu vermeiden, das Kochfeld nicht berühren, wenn die Restwärme-Anzeige noch leuchtet.
- Führen Sie während des Betriebs keine Gegenstände in das Induktionskochfeld ein, um einen Stromschlag zu vermeiden.
- Wickeln Sie das Kabel nicht um den Hals, um ein Strangulationsrisiko zu vermeiden.
- Für die Reinigung des Gerätes darf kein Dampfreiniger verwendet werden.
- Metallische Gegenstände wie Messer, Gabeln, Löffel und Deckel sollten nicht auf der Kochfeldoberfläche abgelegt werden, da sie heiß werden können.
- Schalten Sie das Kochfeld nach der Verwendung mittels der Bedienelemente aus und verlassen Sie sich nicht auf die Topferkennung.
- Das Gerät ist nicht für die Verwendung mit einem externen Timer oder separaten Fernbedienungssystem vorgesehen.
- Es sollte darauf geachtet werden, die Heizelemente nicht zu berühren.
- Wenn das Netzkabel beschädigt ist, muss es durch den Hersteller, dessen Kundendienst oder eine ähnliche qualifizierte Person ersetzt werden, um Gefahren zu vermeiden. Bitte kontaktieren Sie das nächstgelegene IKEA Einrichtungshaus.

⚠ VORSICHT: heiße Oberfläche. Die Oberflächen können während des Gebrauchs heiß werden.

⚠ WARNUNG! Wenn die Oberfläche Risse aufweist, schalten Sie das Gerät aus, um die Gefahr eines eventuellen Stromschlags zu vermeiden. Bitte kontaktieren Sie das nächstgelegene IKEA Einrichtungshaus.

⚠ WARNUNG! Das Gerät und dessen zugängliche Teile werden während des Betriebs heiß.

⚠ WARNUNG! Unbeaufsichtigtes Kochen mit Fett oder Öl auf dem Kochfeld kann gefährlich sein und zu einem Brand führen. Löschen Sie ein Feuer NIEMALS mit Wasser, sondern schalten Sie das Gerät aus und decken die Flammen dann ab, z. B. mit einem Deckel oder einer Löschdecke.

Sicherheitsanweisungen

Installation

- Der Hersteller haftet nicht für Personenschäden oder Verletzungen von Haustieren oder Sachschäden, die durch Missachten der nachfolgenden Anforderungen entstehen.
- ⚠ VORSICHT!** Um mit der Installation fortzufahren, lesen Sie die Sicherheitshinweise.
- ⚠ WARNUNG!** Der Installationsvorgang muss gemäß den gültigen Gesetzen, Verordnungen und Richtlinien (elektrische Sicherheitsregeln und -bestimmungen, ordnungsgemäße Wiederverwertung gemäß der Bestimmungen, usw.) des Landes ausgeführt werden, in dem das Gerät verwendet wird!
- Vermeiden Sie, das Gerät neben Türen und unter Fenstern zu installieren, da heißes Kochgeschirr von dem Kochfeld gestoßen werden kann, wenn Türen und Fenster geöffnet werden.
 - Stellen Sie sicher, dass das Gerät nicht durch einen Transport beschädigt ist. Schließen Sie kein beschädigtes Gerät an.

- Das Gerät nicht installieren, wenn es während eines Transports beschädigt wurde.
- Verwenden Sie zum Anschließen des Kochfeldes keine Verlängerungskabel und stellen Sie das Kochfeld so auf, dass dessen Kabel nicht über Arbeitsbereiche verläuft.
- Es dürfen weder die technischen Daten dieses Gerätes, noch das Gerät selber geändert werden. Es besteht Verletzungsgefahr und eine Beschädigung des Gerätes ist möglich.

⚠ WARNUNG! Befolgen Sie die Anweisungen für die elektrischen Verbindungen sorgfältig.

Elektrische Anschlüsse

- Überprüfen Sie vor dem Anschließen, dass die auf dem Typenschild angegebene Nennspannung des Gerätes der verfügbaren Versorgungsspannung entspricht. Prüfen Sie auch die Nennleistung des Geräts und achten Sie auf geeignete Auslegung der Elektroinstallation im Haus (siehe Kapitel Technische Daten).
- Das Typenschild befindet sich am unteren Gehäuse des Kochfeldes.

⚠ WARNUNG! Verletzungsgefahr durch elektrischen Strom.

- Lockere Stecker und unangemessene Steckerverbindungen können zu einer Überhitzung der Klemmleiste führen.

Vor dem Gebrauch:

Bitte beachten Sie vor dem Gebrauch die nachfolgenden Anweisungen.

- Bitte verwenden Sie nur eine Standardsteckdose und überprüfen Sie diese regelmäßig, um eine Beschädigung zu vermeiden.
- Öffnen Sie das Gerät nicht selbst und lassen Sie es nicht von einer Person öffnen, die keine Fachkraft ist. Lassen Sie das Gerät nur von einem Techniker des Kundendienstes oder einem ähnlich qualifizierten Techniker reparieren.

- Bitte überprüfen Sie das Netzkabel und den Netzstecker. Bei Beschädigung des Starkstromkabels oder -steckers darf das Gerät nicht benutzt werden. Ziehen Sie den Stecker nicht mit nassen Händen aus der Steckdose.
- Verwenden Sie keine Verlängerungskabel, sondern nur eine Steckdose der Hauptstromversorgung.
- Wenn das Gerät längere Zeit nicht benutzt wird, schalten Sie es zunächst 10 Minuten lang ein, damit sich die Elektronikelemente stabilisieren. Anschließend können Sie es in Betrieb nehmen.
- Betreiben Sie das Gerät nicht in der Nähe von Wasser, Feuer oder Feuchträumen. Das Gerät ist NUR für den Gebrauch in Innenräumen bestimmt.
- Entfernen Sie alle Verpackungen, Aufkleber und Folien vor dem ersten Gebrauch vom Gerät.
- Schalten Sie die Kochzone nach jedem Gebrauch über die Bedienelemente aus und verlassen Sie sich nicht allein auf die Topferkennung.
- Verbrennungsgefahr! Legen Sie keine Metallgegenstände wie Messer, Gabel, Löffel und Pfannendeckel auf die Kochfeldoberfläche, da diese heiß werden können.

⚠ WARNUNG! Brandgefahr! Überhitzte fette Öle können sich sehr schnell entzünden.

⚠ WARNUNG! Benutzer mit Herzschrittmachern sollten den Oberkörper mindestens 30 cm von eingeschalteten Induktionskochzonen fernhalten.

⚠ WARNUNG! Bedienen Sie das Gerät nicht mit nassen Händen und halten Sie die Oberfläche des Bedienfeldes trocken. Wenn auf dem Bedienfeld viel Wasser vorhanden ist, führt dies zum Verlust der Bedienfähigkeit der Bedienfeldtasten.

⚠ WARNUNG! Wenn die Oberfläche Risse aufweist, schalten Sie das Gerät aus, um die Gefahr eines eventuellen Stromschlags zu vermeiden.

Während und nach dem Gebrauch:

Bitte beachten Sie die folgenden Anweisungen, um eine Zündgefahr und Unfälle zu vermeiden.

- Stellen Sie das Gerät **AUSSCHLIESSLICH** auf eine ebene und feste Oberfläche.
- Um sicherzustellen, dass Kinder nicht mit dem Gerät spielen, sind diese zu beaufsichtigen.
- Stellen Sie während des Betriebs des Geräts keine der folgenden Gegenstände auf die Kochstelle.
 - a) Edelstahl
 - b) Eisen
 - c) Gusseisen
 - d) Aluminium
 - e) Deckel und Emaille
 - f) Messer, Gabel oder Löffel
 - g) Kochgeschirr, deren Böden aus Eisen, Edelstahl, Gusseisen oder Aluminium bestehen
 - h) Leeres Kochgeschirr
- Tragen oder bewegen Sie das Gerät beim Erhitzen nicht, wenn sich Kochgeschirr darauf befindet.
- Bitte achten Sie während des Aufwärmens auf eine gute Luftzirkulation in der Umgebung des Gerätes.
- Führen Sie keine Drähte oder Metallgegenstände in den Lufteinlass oder Luftauslass des Geräts ein.
- Pflege des Kochfeldes.
 - a) Lassen Sie keine schweren Gegenstände auf das Kochfeld fallen.
 - b) Gießen Sie kein Wasser, keine Säure und keine anderen Flüssigkeiten auf das Kochfeld.
 - c) Verbrennen Sie nichts mit offener Flamme (Feuer) auf dem Kochfeld.
 - d) Stellen Sie kein heißes Kochgeschirr auf die Kochstelle, wenn das Gerät nicht in Betrieb ist.

- e) Bei Rissen in der Kochstellenoberfläche, schalten Sie das Gerät sofort aus, um einen elektrischen Schlag zu vermeiden, und wenden Sie sich an das nächste IKEA-Einrichtungshaus.
- f) Einige Kochgeschirre können während der Benutzung Geräusche erzeugen. Durch eine leichte Bewegung des Kochgeschirrs kann das Geräusch gemindert werden oder ganz verstummen. Sollte dies nicht der Fall sein, verwenden Sie bitte anderes Kochgeschirr.
 - Stellen Sie das Gerät nicht auf Teppich, Stoff oder Papier ab, wenn es in Betrieb ist.
 - Berühren Sie das Kochfeld nicht, solange es heiß ist. Selbst bei ausgeschalteter Stromzufuhr ist das Kochfeld heiß, bis die Restwärme-Anzeige erlischt.
 - Ziehen Sie den Netzstecker nicht am Kabel heraus.
 - Bevor Sie den Netzstecker trennen, schalten Sie das Gerät aus und lassen Sie es abkühlen. Trennen Sie den Netzstecker, wenn das Gerät über einen längeren Zeitraum nicht benutzt wird.
 - Halten Sie Kochgeschirr nach Gebrauch vom Gerät fern.

Beschädigungen des Gerätes vermeiden

- Die Glaskeramik kann durch darauf fallende Gegenstände oder durch hartes Aufsetzen des Kochgeschirrs beschädigt werden.
- Kochgeschirr aus Eisen, Aluminiumguss oder mit beschädigten Böden können die Glaskeramik zerkratzen, wenn es auf der Oberfläche verschoben wird.
- Die Glaskeramik kann ebenfalls beschädigt werden, wenn sie fallen gelassen wird.
- Um eine Beschädigung des Kochgeschirrs und der Glaskeramik zu vermeiden, sollte das Leerkochen von Töpfen und Pfannen vermieden werden.
- Verwenden Sie Kochzonen nicht ohne oder mit leerem Kochgeschirr.

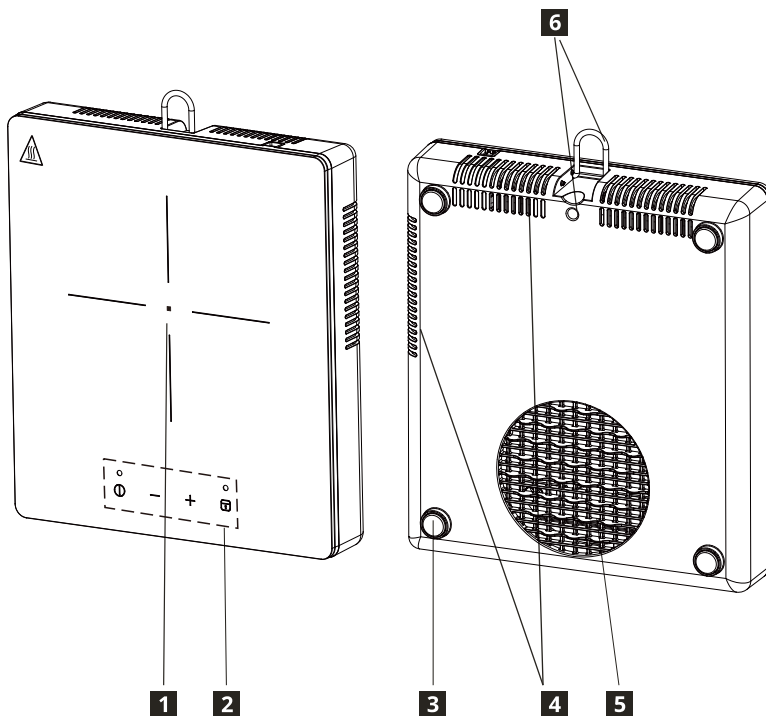
- Niemals Teile des Gerätes mit Aluminiumfolie auslegen/abdecken. Niemals Kunststoff oder andere Materialien, die schmelzen können, in oder auf das Gerät legen.

⚠ **WARNUNG!** Lassen Sie das Gerät an der Steckdose angeschlossen, bis der Lüfter und die Restwärme-Anzeige sich ausschalten.

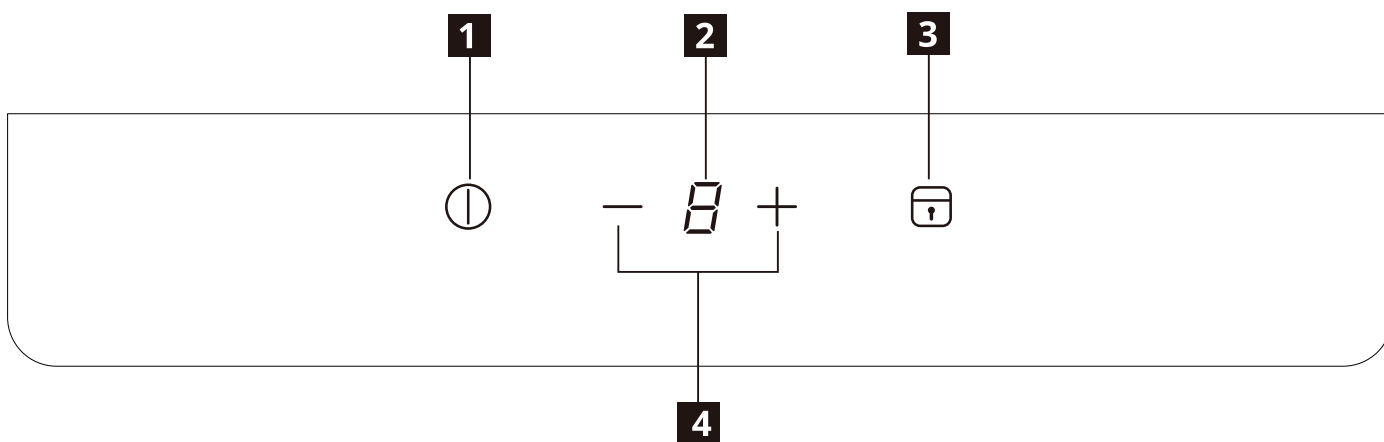
Informationen zu Acrylamid

Wichtig! Nach neuesten wissenschaftlichen Erkenntnissen kann eine intensive Bräunung der Lebensmittel, insbesondere stärkehaltiger Produkte, eine gesundheitliche Gefährdung durch Acrylamid verursachen. Wir empfehlen daher, die niedrigsten möglichen Temperaturen zu verwenden und Lebensmittel nicht zu sehr zu bräunen.

Produktbeschreibung



- 1** Heizbereich
Kochzone 170 mm, 2000 W
- 2** Bedienfeld
- 3** Silikonfüße
- 4** Luftauslass
- 5** Lufteinlass
- 6** Haken-Aufhänger



Aufbau des Bedienfelds

1 An/Aus

3 Sperre/Kindersicherung

2 Leistungsstufenanzeige

4 Einstellung der Leistungsstufe - / +

Touch-Betrieb Sensorfelder und Anzeigen

Das Kochfeld wird über die Berührung der Sensorfelder bedient.

Anzeigen und akustische Signale (kurzer Piepton) bestätigen die Auswahl einer Funktion.

Leistungsstufe	1	2	3	4	5	6	7	8	9
Leistung	150 W	250 W	300 W	450 W	600 W	800 W	1100 W	1500 W	2000 W

Anzeigen

U Topf falsch gesetzt oder fehlt

Das Symbol erscheint, wenn der Topf für das Induktionskochen nicht geeignet ist, nicht richtig gesetzt ist oder nicht die richtige Größe für das ausgewählte Kochfeld hat. Wird innerhalb von 30 Sekunden nach der Auswahl kein Topf erkannt, schaltet sich dieses Kochfeld ab.

H Restwärme

Wenn die Anzeige „H“ erscheint, ist das Kochfeld noch heiß. Sobald es abgekühlt ist, erlischt die Anzeige.

⚠️ WARNUNG! Verbrennungsgefahr durch Restwärme! Nachdem Sie das Gerät ausgeschaltet haben, benötigen die Kochzonen etwas Zeit zum Abkühlen. Beachten Sie die Restwärme-Anzeige **H**.

Nutzen Sie die Restwärme zum Schmelzen oder Warmhalten von Speisen.

Trennen Sie das Gerät nicht von der Stromversorgung, ohne zu warten, bis **H** nicht mehr auf dem Display angezeigt wird.

Tägliche Verwendung



Anschluss an die Steckdose

1. Nachdem der Stecker in die Steckdose eingesteckt wurde, wird die Kindersicherung aktiviert. Halten Sie die Taste für die Kindersicherung 3 Sekunden lang gedrückt, um sie zu deaktivieren.

An/Aus

1. Betätigen Sie die Taste AN/AUS. Auf dem Display wird, wie im Bereitschaftsmodus, „0“ angezeigt und die Stromanzeige leuchtet auf. Wird innerhalb von 30 Sekunden keine Wärmeeinstellung ausgewählt, schaltet sich das Kochfeld von selbst aus, auch ohne dass die Taste AN-/AUS betätigt wird.
2. Wird die AN/AUS-Taste während des Betriebs betätigt, schaltet sich das Kochfeld aus.



Einstellung der Leistungsstufe

1. Zum Regeln der Leistungsstufe bei laufendem Betrieb drücken Sie — oder +.
2. Das Betätigen von — schaltet direkt auf die Leistungsstufe „9“. Drücken Sie —, um die Leistungsstufe von „9“ auf „1“ herunterzuschalten.
3. Drücken Sie +, wird die Leistungsstufe von „1“ aus erhöht. Drücken Sie +, um die Leistungsstufe von „1“ bis „9“ zu erhöhen.



Sperrfunktion

Wenn die Kochzone in Betrieb ist, können Sie das Bedienfeld sperren, um beispielsweise das Kochfeld zu reinigen. Dadurch wird eine ungewollte Verstellung der Leistungsstufe verhindert. Das Kochfeld kann immer noch mithilfe der Taste An/Aus ausgeschaltet werden.

Sperre setzen

1. Einstellen der gewünschten Leistungsstufe.
2. Drücken Sie die Sperrtaste 3 Sekunden lang. Die Funktion wird durch Aufleuchten der Sperrtastenanzeige und ein Tonsignal gekennzeichnet.

Sperre aufheben

1. Drücken Sie die Sperrtaste 3 Sekunden lang. Die Aufhebung der Funktion wird durch Erlöschen der Sperrtastenanzeige und ein Tonsignal gekennzeichnet.
2. Die Leistungsstufe kehrt zur vorherigen Einstellung zurück.

Kindersicherungsfunktion

Sie können das Bedienfeld auch sperren, wenn das Kochfeld nicht in Verwendung ist. Diese Funktion verhindert eine versehentliche Bedienung des Gerätes.

Setzen der Kindersicherung

1. Das Gerät mit der AN/AUS-Taste aktivieren. Stellen Sie keine Leistungsstufe ein.
2. Drücken Sie die Sperrtaste 3 Sekunden lang. Die Funktion wird durch Aufleuchten der Sperrtastenanzeige und ein Tonsignal gekennzeichnet.
3. Deaktivieren Sie das Gerät mit der AN/AUS-Taste.

Aufheben der Kindersicherung

1. Drücken Sie die Sperrtaste 3 Sekunden lang. Die Aufhebung der Funktion wird durch Erlöschen der Sperrtastenanzeige und ein Tonsignal gekennzeichnet.

Automatische Abschaltung

Dies Funktion schaltet das Kochfeld automatisch aus, wenn:

- Alle Kochzonen ausgeschaltet sind.
- SIE nach dem Einschalten des Kochfelds nicht innerhalb von 30 Sekunden die Leistungsstufe einstellen.
- SIE ein Kochfeld nicht ausschalten oder nach zwei Stunden die Leistungsstufe nicht verändern oder wenn es zu einer Überhitzung kommt (z. B. wenn eine Pfanne trocken kocht).

Kochtabelle


HitzeEinstellung	Verwenden für:	Zeit (Min.)	Tipps
1	<ul style="list-style-type: none"> Zubereitete Speisen warm halten. 	wie erforderlich	Setzen Sie einen Deckel auf das Kochgeschirr.
1-2	<ul style="list-style-type: none"> Sauce Hollandaise, Schmelzen von Butter, Schokolade, Gelatine. 	5-25	Von Zeit zu Zeit umrühren.
2-3	<ul style="list-style-type: none"> Reis- und Milchgerichte köcheln lassen, Fertiggerichte aufwärmen. 	25-50	Fügen Sie mindestens doppelt so viel Flüssigkeit wie Reis zugeben, Milchgerichte nach der Hälfte des Vorgangs.
4-5	<ul style="list-style-type: none"> Dämpfen von Gemüse, Fisch, Fleisch, Kartoffeln. 	20-45	Fügen Sie eine kleine Menge Wasser hinzu.
	<ul style="list-style-type: none"> Zubereiten größerer Mengen von Speisen, Eintöpfen. 	60-150	Fügen Sie eine kleine Menge Wasser hinzu.
5-6	<ul style="list-style-type: none"> Schonend braten: Kalbsschnitze Cordon bleu, Schnitzel, Frikadellen, Würstchen, Mehlschwitze, Eier. 	wie erforderlich	Nach der Hälfte der Zeit wenden.
7-8	<ul style="list-style-type: none"> Hash Browns, Steaks. 	5-15	Nach der Hälfte der Zeit wenden.
9	<ul style="list-style-type: none"> Wasser kochen, Nudeln kochen, Fleisch anbraten (Gulasch, Schmorbraten), Pommes frites frittieren. 		

Hinweise zum Kochgeschirr

Welche Töpfe sind zu verwenden?

Verwenden Sie nur Töpfe und Pfannen mit Boden aus ferromagnetischem Material, die für den Gebrauch mit Induktionskochfeldern geeignet sind:

- Gusseisen
- Emaillierter Stahl
- Kohlenstoffstahl
- Edelstahl (nicht alle Varianten)
- Aluminium mit ferromagnetischer Beschichtung oder ferromagnetische Platte

Ob ein Topf oder eine Pfanne geeignet ist, erkennen Sie am Symbol  (meist auf den Boden gestempelt). Sie können auch einen Magneten an den Boden halten. Haftet er an der Unterseite, funktioniert das Kochgeschirr auf einem Induktionskochfeld.

Zur bestmöglichen Erhitzung sollten Sie immer Töpfe und Pfannen mit einem flachen Boden auswählen, der die Wärme gleichmäßig verteilt. Wenn der Boden uneben ist, beeinträchtigt dies die Strom- und Wärmeleitung.

Gebrauchsanweisung für Töpfe und Pfannen

Minstdurchmesser des Topfs/Pfannenbodens für die verschiedenen Kochfelder

Damit das Kochfeld einwandfrei funktioniert, sollte der Topf einen oder mehrere auf dessen Oberfläche angegebene Punkte abdecken und einen geeigneten Minstdurchmesser aufweisen.

Wählen Sie immer das Kochfeld, das dem Durchmesser des Topfbodens am nächsten kommt.

Kochzone	Empfohlener Kochgeschirrdurchmesser [mm]
Mittlere hintere Kochzone	120-180

Leere oder dünnwandige Töpfe/Pfannen

Benutzen Sie keine leeren oder dünnwandigen Töpfe/Pfannen auf der Kochstelle, da sie dann weder die Temperatur überwachen noch sich bei Überhitzung abschalten kann. Pfanne oder Kochfeld kann dadurch beschädigt werden. In diesem Fall sollten Sie nichts berühren und warten, bis alle Teile abgekühlt sind.

Wenn eine Fehlermeldung erscheint, lesen Sie unter „Fehlerbehebung“ nach.

Hinweise/Tipps**Kochgeräusche**

Ein arbeitendes Kochfeld kann kurz brummen. Dies ist eine Eigenheit aller Kochfelder aus Glaskeramik und hat keinen Einfluss auf die Funktion oder Lebensdauer des Geräts. Das Geräusch ist vom eingesetzten Kochgeschirr abhängig. Sollte das Geräusch arg stören, kann ein Wechsel des Kochgeschirrs Abhilfe schaffen.

Normale Betriebsgeräusche des Induktionskochfeldes

Die Induktionstechnologie basiert auf der Erzeugung elektromagnetischer Felder, die Wärme direkt auf dem Boden des Kochgeschirrs erzeugen. Töpfe und Pfannen können je nach Herstellungsweise unterschiedliche Geräusche oder Vibrationen verursachen.

Diese Geräusche werden wie folgt beschrieben:

Leises Brummen (wie ein Transformator)

Dieses Geräusch entsteht beim Kochen mit hoher Hitze. Es beruht auf der Energiemenge, die vom Kochfeld auf das Kochgeschirr übertragen wird. Das Geräusch hört auf oder wird leiser, wenn die Hitze gesenkt wird.

Leises Pfeifen

Dieses Geräusch entsteht, wenn der Kochtopf leer ist. Es hört auf, sobald Flüssigkeiten oder Lebensmittel in den Topf gegeben werden.

Knistern

Dieses Geräusch tritt bei Kochgeräten aus verschiedenen übereinander geschichteten Materialien auf.

Sie wird durch die Schwingungen der Oberflächen verursacht, an denen verschiedene Materialien aufeinandertreffen. Das Geräusch entsteht im Kochgeschirr und kann je nach Menge der Lebensmittel oder Flüssigkeit und der Garmethode (z. B. Kochen, Garen, Braten) variieren.

Lauter Pfeifen

Dieses Geräusch tritt bei Kochgeschirren aus verschiedenen übereinander geschichteten Materialien auf, wenn sie zusätzlich bei maximaler Leistung und auf zwei Kochzonen verwendet werden. Das Geräusch hört auf oder wird leiser, wenn die Hitze gesenkt wird.

Diese Geräusche sind normale Lüftergeräusche

Um ein ordnungsgemäßes Funktionieren der Elektronik zu gewährleisten, muss die Temperatur des Kochfelds reguliert werden. Hierzu verfügt das Kochfeld über ein Kühlgebläse, das zur Senkung und Regelung der Temperatur der Elektronik aktiviert wird. Das Gebläse kann auch nach dem Ausschalten des Geräts weiterlaufen, wenn das Kochfeld nach dem Ausschalten noch zu warm ist.

Rhythmische Geräusche, ähnlich dem Ticken einer Uhr

Dieses Geräusch tritt nur auf, wenn mindestens drei Kochzonen in Betrieb sind, und verschwindet oder wird schwächer, wenn einige von ihnen ausgeschaltet werden.

Die beschriebenen Geräusche sind für die Induktionstechnik normal und keine Fehler.

Reinigung und Pflege

⚠️ WARNUNG! Schalten Sie das Gerät aus und lassen Sie es abkühlen, bevor Sie es vom Stromnetz trennen.

⚠️ WARNUNG! Schalten Sie das Gerät aus und lassen Sie es abkühlen, bevor Sie es reinigen.

⚠️ WARNUNG! Aus Sicherheitsgründen darf das Gerät nicht mit Dampfstrahlern oder Hochdruckreinigern gereinigt werden.

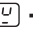

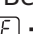

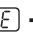



⚠️ WARNUNG! Scharfe Gegenstände und scheuernde Reinigungsmittel beschädigen das Gerät. Reinigen Sie das Gerät nach jeder Verwendung und entfernen Sie Rückstände mit Wasser und Spülmittel. Entfernen Sie auch alle Rückstände der Reinigungsmittel!

ⓘ Kratzer oder dunkle Flecken auf der Glaskeramik, die nicht entfernt werden können, beeinflussen nicht die Funktionsfähigkeit des Gerätes.

Entfernen von Rückständen und hartnäckigen Rückständen:

- Zuckerhaltige Lebensmittel, Kunststoffe und Aluminiumfolienrückstände sollten sofort entfernt werden. Zum Reinigen der Glasoberfläche eignet sich am besten ein Schaber (nicht mit dem Gerät mitgeliefert). Setzen Sie den Schaber in einem Winkel auf die Glaskeramikoberfläche und entfernen Sie Rückstände, indem Sie die Klinge über die Oberfläche schieben. Anschließend wischen Sie das Gerät mit einem feuchten Tuch und ein wenig Spülmittel ab. Trocknen Sie das Gerät zum Schluss mit einem sauberen Tuch.
- Kalkringe, Wasserringe, Fettspritzer oder glänzende metallische Verfärbungen sollten entfernt werden, nachdem das Gerät abgekühlt ist, indem ein Reiniger für Glaskeramik oder Edelstahl benutzt wird.

Fehlerbehebung

Störung	Mögliche Ursache	Abhilfe
Das Gerät arbeitet nicht.	Stromausfall oder Kurzschluss der Stromversorgung Ihres Hauses.	
	Der Stromanschluss zur Steckdose arbeitet nicht ordnungsgemäß.	Überprüfen Sie die Stromversorgung zum Kochfeld auf richtigen Anschluss.
	Es sind mehr als 10 Sekunden vergangen, seit das Gerät eingeschaltet wurde.	Schalten Sie das Gerät wieder ein.
	Die Kindersicherung ist eingeschaltet.	Heben Sie die Kindersicherung auf. (Siehe Abschnitt „Kindersicherung“).
	Es wurden mehrere Sensorfelder gleichzeitig berührt.	Berühren Sie nur ein Sensorfeld.
Das Gerät stellt den Betrieb ein. Fehleranzeige:  → 	Das Kochgeschirr ist nicht für Induktionskochen geeignet.	Wechseln Sie zu Kochgeschirr, das für Induktion geeignet ist.
	Kein Kochgeschirr auf dem Kochfeld oder sein Durchmesser liegt unter 120 mm.	Stellen Sie Kochgeschirr auf die Kochzone.
Das Gerät stellt den Betrieb ein. Fehleranzeige:  → 	Das Kochgeschirr ist leer (leergekocht) oder die Gartemperatur ist zu hoch.	Schalten Sie das Gerät aus und starten Sie es nach fünf Minuten wieder. Wenn Fehler E2 weiterhin besteht, wenden Sie sich bitte an das nächste IKEA-Einrichtungshaus.
	Luft einlass und Luftauslass sind blockiert.	
	Die Umgebungstemperatur ist zu hoch.	
Das Gerät stellt den Betrieb ein. Fehleranzeige:  → 	Die Hauptstromversorgung beträgt mehr als AC 275 V.	Wechseln Sie zu einer Stromversorgung die für das Gerät geeignet ist.
Das Gerät stellt den Betrieb ein. Fehleranzeige:  → 	Die Hauptstromversorgung ist niedriger als AC 100 V.	Wechseln Sie zu einer Stromversorgung die für das Gerät geeignet ist.

Das Gerät stellt den Betrieb ein. Fehleranzeige: E → 5	Der Temperatursensor des Geräts funktioniert nicht.	Bitte kontaktieren Sie das nächstgelegene IKEA Einrichtungshaus.
Das Gerät stellt den Betrieb ein. Fehleranzeige: E → 6		
Das Gerät stellt den Betrieb ein. Fehleranzeige: E → 0	Interne Ausnahme	Schalten Sie das Gerät aus und starten Sie es nach fünf Minuten wieder. Wenn Fehler EO weiterhin besteht, wenden Sie sich bitte an das nächste IKEA-Einrichtungshaus.

Beim Einschalten des Kochfeldes und beim Auftreten eines Fehlers wird ein Fehlercode angezeigt, abwechselnd werden der Buchstabe E und eine Ziffer angezeigt (Turnus von 1 Sekunde).

Wenn eine Störung vorliegt, versuchen Sie, diese zu beheben, indem Sie die Richtlinien zur Fehlerbehebung befolgen. Wenn das Problem nicht gelöst werden kann, wenden Sie sich an das nächstgelegene IKEA-Einrichtungshaus.

ⓘ Sollten Sie das Gerät nicht ordnungsgemäß bedient haben, ist es möglich, dass der Kundendienst selbst während der Garantiezeit nicht kostenlos ist.

Technische Daten

Modell	14CP12301
Art des Kochfeldes	Freistehendes Induktionskochfeld
Anzahl der Kochzonen bzw. Kochbereiche	1
Nennleistung	2000 W
Nennspannung	220-240 V~
Nennfrequenz	50-60 Hz
Tiefe	305 mm
Breite	270 mm
Höhe	62 mm
Eigengewicht	2,33 kg

Seriennummer (beginnt mit SN, 22-stelliger Code)

Artikelnummer (8-stelliger Code)

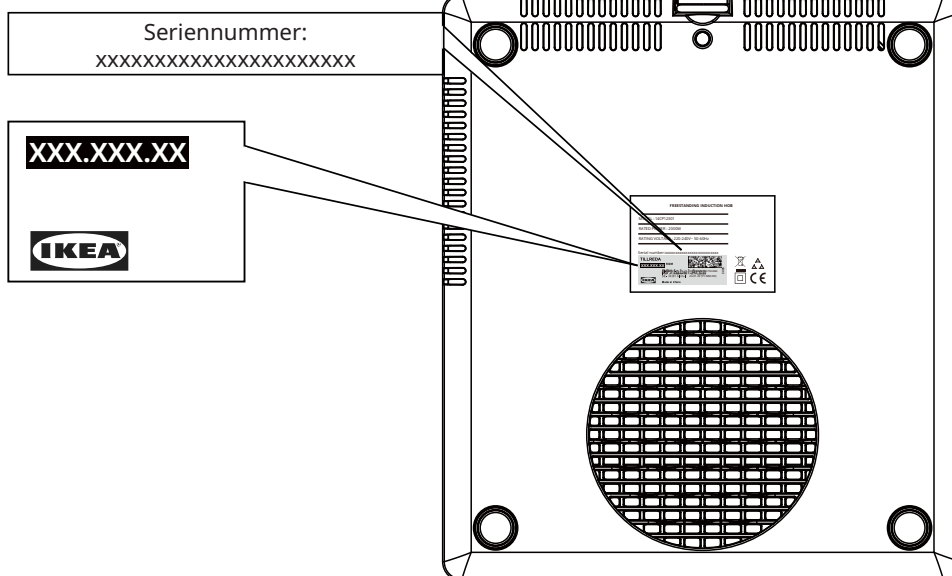



Abbildung dient nur als Referenz

Energieeffizienz

Modellbezeichnung	14CP12301
Art des Kochfeldes	Tragbares Gerät
Anzahl der Kochzonen	1
Heiztechnik	Induktion
Durchmesser der runden Kochzonen (Ø)	170 mm
Energieverbrauch pro Kochzone (EC-Elektrokochen)	184 Wh/kg
Energieverbrauch des Kochfeldes (EC-Elektrokochfeld)	184 Wh/kg
Produktinformationen zum Stromverbrauch und zur Zeit bis zum Erreichen des entsprechenden Energiesparmodus	Ausgeschaltet: 0,5 W
Maximale Zeit bis zum Erreichen des entsprechenden Energiesparmodus	5 Sekunden
Verordnung 2009/125/EG, VERORDNUNG DER KOMMISSION (EU) Nr. 66/2014, EN 60350-2:2018+A1:2021.	

Hinweise zum Umweltschutz


Entsorgung von Haushaltsgeräten

Das Symbol  auf dem Gerät oder dessen Verpackung weist darauf hin, dass dieses Produkt nicht als Hausmüll behandelt werden darf. Stattdessen sollte es zu einer entsprechenden Sammelstelle für das Recycling von elektrischen und elektronischen Geräten gebracht werden. Durch die Gewährleistung einer ordnungsgemäßen Entsorgung dieses Produkts helfen Sie, potenzielle Umwelt- und Gesundheitsschäden zu verhindern, die sonst durch eine unsachgemäße Entsorgung dieses Geräts verursacht werden könnten. Für weitere Informationen über das Recycling dieses Produkts kontaktieren Sie bitte Ihre örtlich zuständige Behörde, Ihr Müllabfuhrunternehmen oder das Geschäft, in dem Sie das Produkt erworben haben.

⚠️ WARNUNG! Befolgen Sie für die Entsorgung dieses Gerätes die folgenden Schritte:

- Ziehen Sie den Netzstecker aus der Steckdose.
- Schneiden Sie das Netzkabel ab und entsorgen Sie es.

Entsorgung von Verpackungsmaterialien

Die mit diesem Symbol  gekennzeichneten Materialien sind wiederverwertbar. Entsorgen Sie die Verpackung in einem geeigneten Sammelbehälter für die Wiederverwertung.

FÜR DEUTSCHLAND GELTENDE ERRATA

Folgende Informationen zur Entsorgung ersetzen die Regelungen im Abschnitt „Umwelttips“ des User Manual – Benutzerinformationen mit Wirkung ab dem 01.01.2022

• Ihre Pflichten als Endnutzer



Dieses Elektro- bzw. Elektronikgerät ist mit einer durchgestrichenen Abfalltonne auf Rädern gekennzeichnet. Das Gerät darf deshalb nur getrennt vom unsortierten Siedlungsabfall gesammelt und zurückgenommen werden, es darf also nicht in den Hausmüll gegeben werden. Das Gerät kann z. B. bei einer kommunalen Sammelstelle oder ggf. bei einem Vertreiber (siehe zu deren Rücknahmepflichten in Deutschland unten) abgegeben werden. Das gilt auch für alle Bauteile, Unterbaugruppen und Verbrauchsmaterialien des zu entsorgenden Altgeräts.

Bevor das Altgerät entsorgt werden darf, müssen alle Altbatterien und Altakkumulatoren vom Altgerät getrennt werden, die nicht vom Altgerät umschlossen sind. Das gleiche gilt für Lampen, die zerstörungsfrei aus dem Altgerät entnommen werden können. Der Endnutzer ist zudem selbst dafür verantwortlich, personenbezogene Daten auf dem Altgerät zu löschen.

- **Elektronik- Altgeräten in Deutschland**



Das Symbol der durchgestrichenen Mülltonne auf dem Gerät bzw. auf dem beiliegenden Informationsmaterial weist darauf hin, dass dieses Gerät kein normaler Hausabfall ist, sondern in einer geeigneten Sammelstelle für Elektro- und Elektronik-Altgeräte entsorgt werden muss.

Altgeräte können kostenfrei im lokalen Wertstoff- oder Recyclinghof abgegeben werden.

- **Hinweise zum Recycling**



Helfen Sie mit, alle Materialien zu recyceln, die mit diesem Symbol gekennzeichnet sind. Entsorgen Sie solche Materialien, insbesondere Verpackungen, nicht im Hausmüll sondern über die bereitgestellten Recyclingbehälter oder die entsprechenden örtlichen Sammelsysteme.

Recyceln Sie zum Umwelt- und Gesundheitsschutz elektrische und elektronische Geräte.

- **Rücknahmepflichten der Verreiber**

Wer auf mindestens 400 m² Verkaufsfläche Elektro- und Elektronikgeräte vertreibt oder sonst geschäftlich an Endnutzer abgibt, ist verpflichtet, bei Abgabe eines neuen Geräts ein Altgerät des Endnutzers der gleichen Geräteart, das im Wesentlichen die gleichen Funktionen wie das neue Gerät erfüllt, am Ort der Abgabe oder in unmittelbarer Nähe hierzu unentgeltlich zurückzunehmen. Das gilt auch für Verreiber von Lebensmitteln mit einer Gesamtverkaufsfläche von mindestens 800 m², die mehrmals im Kalenderjahr oder dauerhaft Elektro- und Elektronikgeräte anbieten und auf dem Markt bereitstellen. Solche Verreiber müssen zudem auf Verlangen des Endnutzers Altgeräte, die in keiner äußeren Abmessung größer als 25 cm sind (kleine Elektrogeräte), im Einzelhandelsgeschäft oder in unmittelbarer Nähe hierzu unentgeltlich zurückzunehmen; die Rücknahme darf in diesem Fall nicht an den Kauf eines Elektro- oder Elektronikgerätes geknüpft, kann aber auf drei Altgeräte pro Geräteart beschränkt werden.

Energie sparen

- Setzen Sie, wenn möglich, immer einen Deckel auf das Kochgeschirr.
- Stellen Sie das Kochgeschirr auf die Kochzone, bevor Sie diese einschalten.
- Der Boden des Kochgeschirrs sollte so dick und flach wie möglich sein.

IKEA-Garantie

Wie lange ist die IKEA-Garantie gültig?

Diese Gewährleistung ist 2 Jahre ab Datum des Erstkaufs Ihres Geräts bei IKEA gültig, es sei denn, dass in nationalem Recht etwas anderes angegeben ist. Bitte besuchen Sie IKEA.com, um zu erfahren, welche Regelungen in Ihrem Land Gültigkeit haben. Als Kaufnachweis ist das Original des Einkaufsbelegs erforderlich. Wenn Arbeiten im Rahmen der Garantie durchgeführt werden, verlängert sich die Garantiezeit für das Gerät nicht.

Wer übernimmt den Kundendienst?

Kontaktieren Sie das nächstgelegene IKEA-Einrichtungshaus.

Was deckt diese Garantie ab?

Die Garantie deckt Fehler des Geräts ab, die durch Fertigungs- oder Materialfehler ab dem Kaufdatum bei IKEA verursacht wurden.

Diese Garantie gilt nur für den privaten Gebrauch. Die Ausnahmen sind unter der Überschrift „Was ist nicht durch diese Garantie abgedeckt?“ aufgeführt. Innerhalb der Garantiezeit werden die Kosten für die Behebung des Fehlers, wie Reparaturen, Teile, Arbeit und Reisen, übernommen, sofern das Gerät ohne besonderen Aufwand für die Reparatur zugänglich ist. Ersetzte Teile gehen in das Eigentum von IKEA über.

Was unternimmt IKEA, um das Problem zu beheben?

IKEA untersucht das Produkt und entscheidet nach eigenem Ermessen, ob es unter diese Garantie fällt. Wenn die Garantie geltend gemacht werden kann, wird IKEA, nach eigenem Ermessen, das schadhafte Produkt entweder reparieren oder durch ein gleiches oder vergleichbares Produkt ersetzen.

Was ist nicht durch diese Garantie abgedeckt?

- Normalen Verschleiß.
- Vorsätzliche oder fahrlässig herbeigeführte Schäden, Beschädigungen infolge Missachtung der Bedienungsanleitung, unsachgemäße Installation, falschen Spannungsanschlusses, Beschädigung durch chemische oder elektrochemische Reaktionen, Rost, Korrosion oder Wasserschäden, einschließlich, aber nicht beschränkt auf, Schäden durch ungewöhnlich hohen Kalkgehalt im Wasser, Beschädigungen durch außergewöhnliche Umweltbedingungen.
- Verbrauchs- und Verschleißteile wie Batterien und Lampen.

- Nicht funktionelle und dekorative Teile, die den normalen Gebrauch des Gerätes nicht beeinflussen, sowie Kratzer und mögliche Farbabweichungen.
- Zufallsschäden durch Fremdkörper, Substanzen oder Reinigungsarbeiten an Filtern, Abflüssen oder Wasch-/Spülmittelfächern.
- Schäden an folgenden Teilen: Glaskeramik, Zubehör, Geschirr- und Besteckkörbe, Zu- und Ablaufschläuche, Dichtungen, Glühlampen und deren Abdeckungen, Siebe, Knöpfe, Gehäuse und Gehäuseteile. Soweit nicht nachgewiesen wird, dass solche Schäden auf Herstellungsmängel zurückzuführen sind.
- Reparaturen, die nicht von unserem eigenen Kundendienst oder einem autorisierten Kundendienstpartner ausgeführt wurden oder bei denen keine Originalteile verwendet wurden.
- Durch fehlerhafte oder unvorschriftsmäßige Installation erforderliche Reparaturen.
- Die Verwendung des Gerätes in einer nicht-häuslichen Umgebung, d. h. die gewerbliche Nutzung des Gerätes.
- Transportschäden. Wenn der Kunde das Produkt selber nach Hause oder zu einer anderen Adresse transportiert, ist IKEA von der Haftung für Transportschäden jeder Art freigestellt. Liefert IKEA das Produkt direkt an die Lieferanschrift des Kunden, werden während dieser Lieferung eventuell aufgetretene Schäden durch IKEA abgedeckt.
- Kosten für die Erstinstallation des IKEA-Geräts. Wenn jedoch ein von IKEA beauftragter Kundendienst oder sein autorisierter Kundendienstpartner das Gerät im Rahmen dieser Garantie repariert oder ersetzt, installiert der beauftragte Kundendienst oder sein autorisierter Kundendienstpartner das reparierte Gerät erneut oder installiert den Ersatz, falls erforderlich.

Gültigkeit der länderspezifischen Bestimmungen

Die IKEA-Garantie verleiht Ihnen bestimmte gesetzliche Rechte, die alle lokalen gesetzlichen Anforderungen abdecken oder übertreffen. Allerdings schränken diese Bedingungen in keiner Weise die landesweit geltenden Verbraucherrechte ein.

Gültigkeitsbereich

Für Geräte, die in einem EU-Land gekauft und in ein anderes EU-Land mitgenommen werden, werden die Leistungen im Rahmen der im neuen Land üblichen Garantiebedingungen erbracht. Eine Verpflichtung zur Erbringung von Garantieleistungen besteht nur, wenn das Gerät gemäß den folgenden Bestimmungen installiert wurde:

- den technischen Spezifikationen des Landes, in dem der Garantieanspruch geltend gemacht wird;
- der Montageanleitung und den Sicherheitshinweisen im Benutzerhandbuch.

KUNDENDIENST für IKEA-Geräte

Bitte zögern Sie nicht, IKEA zu kontaktieren:

- eine Garantieforderung im Rahmen dieser Garantie gestellt wurde;
- Fragen zu den Funktionen eines IKEA-Gerätes beantwortet zu bekommen.

Um Ihnen möglichst schnell und kompetent weiterhelfen zu können, bitten wir Sie, vorher die Montage- und Gebrauchsanweisung Ihres Gerätes genauestens durchzulesen.

So erreichen Sie unseren Kundendienst



Das IKEA Kundendienst-Servicezentrum wird Ihnen am Telefon bei der grundlegenden Fehlersuche und -behebung für Ihr Gerät behilflich sein. Um die Telefonnummer des nächstgelegenen Einrichtungshauses und dessen Öffnungszeiten zu finden, schauen Sie bitte in den IKEA-Katalog oder besuchen Sie www.ikea.com.

Damit wir Ihnen schneller helfen können, geben Sie bitte immer die IKEA-Artikelnummer (8-stelliger Code) an, die sich auf dem Typenschild Ihres Gerätes befindet.

BEWAHREN SIE DEN KAUFBELEG AUF!

Er ist Ihr Kaufnachweis und für die Geltendmachung der Garantie erforderlich. Der Kaufbeleg zeigt ebenfalls den IKEA-Namen und die Artikelnummer (8-stelliger Code) für jedes von Ihnen erworbene Gerät an.

Benötigen Sie weiteren Rat und Unterstützung?

Bei allen anderen, nicht kundenspezifischen Fragen bitten wir Sie, sich an den Kundenservice im nächstgelegenen IKEA-Einrichtungshaus zu wenden. Wir empfehlen Ihnen, sich vor einer Kontaktaufnahme mit uns die dem Gerät beiliegenden Dokumentationen gut durchzulesen.

Sommaire

Informations de sécurité.....	32	Entretien et nettoyage	40
Consignes de sécurité	33	Dépannage	40
Description de l'appareil	36	Données techniques.....	42
Voyants.....	37	Efficacité énergétique	43
Utilisation quotidienne.....	37	Protection de l'environnement.....	43
Table de cuisson.....	38	Garantie IKEA.....	44
Conseils sur les ustensiles de cuisson.....	38		

Informations de sécurité

- ⓘ Pour votre sécurité et un usage correct de l'appareil, veuillez lire attentivement ce manuel avant son installation et son utilisation. Ce manuel doit accompagner l'appareil même lorsque vous déménagez ou le vendez. Les utilisateurs de cet appareil doivent connaître parfaitement son mode d'emploi et les consignes de sécurité.

Utilisation correcte

- Ne laissez pas l'appareil sans surveillance lorsqu'il est allumé.
- L'appareil est destiné uniquement à un usage domestique.
- L'appareil est destiné uniquement à un usage en intérieur.
- L'appareil ne doit pas être utilisé comme un plan de travail ou un espace de rangement.
- Ne placez pas de liquides inflammables, de matériaux hautement inflammables ou des objets susceptibles de fondre (ex. film plastique, plastique, aluminium) sur ou près de l'appareil.
- Soyez prudent lorsque vous branchez d'autres appareils électriques aux prises avoisinantes la prise de l'appareil. Veillez à ce que leurs cordons d'alimentation n'entrent en contact ou ne soient écrasés par l'appareil ou des ustensiles de cuisson chauds.
- N'essayez pas de réparer vous-même l'appareil, cela peut causer des blessures ou endommager l'appareil. Contactez toujours le magasin IKEA le plus proche.

Sécurité des enfants et personnes vulnérables

- Cet appareil peut être utilisé par les enfants âgés de 8 ans et plus et les personnes aux capacités physiques, sensorielles ou mentales réduites ou ne disposant pas de l'expérience ou de la connaissance nécessaire, s'ils sont sous surveillance ou ont reçu les instructions nécessaires concernant l'utilisation de l'appareil et s'ils en comprennent les dangers.
- Ne laissez pas les matériaux d'emballage à la portée des enfants. Ils pourraient s'asphyxier.
- Il faut veiller à ce que les enfants ne touchent pas l'appareil qu'il soit en marche ou à l'arrêt.
- Les enfants de moins de 8 ans doivent être tenus à l'écart, sauf s'ils sont surveillés en permanence.
- Veillez à ce que les enfants ne jouent pas avec l'appareil. Les opérations de nettoyage et d'entretien ne doivent pas être effectuées par des enfants sans surveillance.

⚠ AVERTISSEMENT ! Activez la sécurité enfants pour éviter que de jeunes enfants ou des animaux domestiques n'allument l'appareil par inadvertance.

Sécurité générale

- Veillez à ce que les orifices de ventilation, situés dans l'enceinte de l'appareil ou dans la structure intégrée, ne soient pas obstrués.

- Ne touchez pas le panneau tant que l'indicateur de chaleur résiduelle est affiché afin d'éviter les risques de brûlure.
- Pour éviter toute électrocution, n'introduisez aucun objet dans la table à induction lorsqu'elle est allumée.
- N'enroulez pas le cordon autour du cou pour éviter tout risque d'étranglement.
- Il ne faut pas nettoyer l'appareil à l'aide d'un nettoyeur à vapeur.
- Les objets métalliques tels que couteaux, fourchettes, cuillères et couvercles ne doivent pas être placés au-dessus de la surface de la plaque chauffante, car ils risquent de devenir très chauds.
- Éteignez la plaque chauffante après chaque utilisation par le dispositif de commande correspondant et ne faites pas confiance au détecteur d'ustensile de cuisson.
- Cet appareil ne doit pas être contrôlé au moyen d'une minuterie externe ou d'un système de commande à distance séparé.
- Des précautions doivent être prises pour éviter de toucher les éléments chauffants.
- Pour éviter tout danger, faites remplacer le cordon d'alimentation endommagé par le fabricant, un agent agréé ou une personne qualifiée. Contactez le plus proche magasin IKEA.
- Cet appareil est conçu pour une utilisation domestique ou autre utilisation similaire telle que :
 - les cuisines du personnel dans les magasins, les bureaux et autres environnements de travail ;
 - les maisons de campagne ;
 - par des clients dans un hôtel, un motel, ou dans d'autres environnements de type résidentiel ;
 - les chambres d'hôtes.

⚠ ATTENTION : les surfaces sont susceptibles de chauffer pendant l'utilisation.

⚠ AVERTISSEMENT ! En cas d'apparition de fissures sur la surface, éteignez l'appareil pour éviter tout risque d'électrocution. Contactez le plus proche magasin IKEA.

⚠ AVERTISSEMENT ! L'appareil et ses composants accessibles deviennent chauds pendant l'utilisation.

⚠ AVERTISSEMENT ! L'utilisation sans surveillance de cette plaque de cuisson pour préparer des repas contenant de la graisse ou de l'huile peut être dangereuse et risque de provoquer un incendie. Ne tentez JAMAIS d'éteindre un incendie avec de l'eau, commencez par éteindre l'appareil et étouffez la flamme à l'aide d'un couvercle ou d'une couverture d'extinction.

Consignes de sécurité

Installation

- Le fabricant décline toute responsabilité en cas de blessures de personnes/ animaux ou de dommages matériels causés par le non-respect des exigences suivantes.

⚠ ATTENTION ! Lisez les consignes de sécurité avant d'effectuer l'installation.

⚠ AVERTISSEMENT ! La procédure d'installation doit respecter la législation, la réglementation, les directives et les normes en vigueur dans le pays

d'utilisation (règles concernant la sécurité électrique, le recyclage conforme à la réglementation, etc.) !

- Évitez d'installer l'appareil près d'une porte ou sous une fenêtre, car l'ouverture de celles-ci risque de renverser les ustensiles de cuisson chauds posés sur la table de cuisson.
- Vérifiez que l'appareil n'a pas été endommagé pendant le transport. Ne branchez jamais un appareil endommagé.
- N'installez pas l'appareil s'il a été endommagé pendant le transport.

- N'utilisez pas de rallonges pour brancher la table de cuisson et ne faites pas passer le cordon par-dessus la surface de cuisson.
- N'apportez aucune modification aux caractéristiques de cet appareil. Vous risquez de vous blesser et d'endommager l'appareil.

⚠ AVERTISSEMENT ! Respectez strictement les consignes relatives aux branchements électriques.

Branchements électriques

- Avant de brancher l'appareil, assurez-vous que la tension nominale indiquée sur la plaque signalétique correspond à la tension locale. Vérifiez également la puissance nominale de l'appareil et assurez-vous que l'installation électrique de la maison est adéquate par rapport à la puissance nominale de l'appareil (voir le chapitre Données techniques).
- La plaque signalétique se trouve en bas de la table de cuisson.

⚠ AVERTISSEMENT ! Risque de blessure dû au courant électrique.

- Des connexions desserrées ou inappropriées peuvent être à l'origine d'une surchauffe de la borne.

Avant l'utilisation :

Veillez respecter les consignes suivantes avant l'utilisation.

- Veuillez utiliser une prise d'alimentation secteur standard, et l'inspecter régulièrement pour éviter tout dommage.
- N'ouvrez pas l'appareil vous-même et ne le faites pas ouvrir par une personne non qualifiée. Faites uniquement réparer l'appareil par un agent de service ou par un technicien qualifié similaire.
- Inspectez régulièrement le cordon et la fiche d'alimentation. Si le cordon d'alimentation ou la fiche est endommagé, n'utilisez pas l'appareil. Ne débranchez pas la fiche avec les mains mouillées.
- N'utilisez pas de rallonges mais uniquement le cordon d'alimentation fourni.

- Si l'appareil n'a pas été utilisé pendant une longue période, veuillez d'abord mettre l'appareil en marche pour stabiliser le composant électronique pendant 10 minutes. Vous pourrez ensuite commencer à utiliser l'appareil.
- N'utilisez pas l'appareil à proximité de l'eau, du feu ou d'un endroit humide. L'appareil est destiné à être utilisé UNIQUEMENT à l'intérieur d'une maison.
- Retirez tous les emballages, les autocollants et le film de l'appareil avant la première utilisation.
- Éteignez chaque zone de cuisson après chaque utilisation par la touche correspondante et ne faites pas confiance au détecteur d'ustensile de cuisson.
- Risque de brûlures ! Ne placez pas d'objets en métal, tels que couteaux, fourchettes, cuillères et couvercles de casseroles sur la surface de cuisson, car ils peuvent devenir très chauds.

⚠ AVERTISSEMENT ! Risque d'incendie ! Les graisses et les huiles surchauffées peuvent s'enflammer très rapidement.

⚠ AVERTISSEMENT ! Les personnes portant un stimulateur cardiaque doivent garder la partie supérieure de leur corps à au moins 30 cm des zones de cuisson à induction allumées.

⚠ AVERTISSEMENT ! N'utilisez pas l'appareil avec les mains mouillées et essuyez tout liquide de la surface du bandeau de commande. La présence de liquide sur la surface du bandeau de commande risque de rendre les touches inutilisables.

⚠ AVERTISSEMENT ! En cas d'apparition de fissures sur la surface, éteignez l'appareil pour éviter tout risque d'électrocution.

Pendant et après l'utilisation :

Veillez respecter les consignes suivantes pour éviter tout départ de feu et accident.

- Veuillez placer l'appareil sur une surface plane et solide UNIQUEMENT.

- Les enfants doivent être surveillés afin qu'ils ne puissent pas jouer avec cet appareil.
- Ne placez pas l'un des objets suivants sur le panneau lorsque l'appareil fonctionne.
 - a) Acier inoxydable
 - b) Fer
 - c) Fonte
 - d) Aluminium
 - e) Couverts en émail
 - f) Couteaux, fourchettes et cuillères
 - g) Assiettes en fer, inox, fonte ou en aluminium
 - h) Ustensiles de cuisson vides
- Ne transportez et ne déplacez pas l'appareil pendant qu'il chauffe avec des ustensiles de cuisson posés dessus.
- Veuillez assurer de bonnes conditions de ventilation pendant le chauffage.
- N'insérez aucun fil ou objet métallique dans l'entrée ou la sortie d'air de l'appareil.
- Précautions à prendre relatives au panneau.
 - a) Ne faites tomber aucun objet lourd sur le panneau.
 - b) Ne versez pas de l'eau, de l'acide ou tout autre liquide sur le panneau.
 - c) Ne faites brûler aucun matériau sur le panneau.
 - d) Ne placez aucun récipient chaud sur le dessus lorsque l'appareil n'est pas utilisé.
 - e) En cas d'apparition de fissures sur la surface (panneau), éteignez immédiatement l'appareil pour éviter tout risque d'électrocution, et ramenez-le au magasin IKEA le plus proche.
 - f) Certains ustensiles de cuisson peuvent générer un bruit pendant l'utilisation. Il suffit parfois de déplacer légèrement l'ustensile de cuisson pour que le bruit disparaisse ou diminue. Autrement, utilisez un autre ustensile de cuisson.
- Ne placez pas l'appareil sur un tapis, un tissu ou du papier lorsque l'appareil est allumé.
- Ne touchez pas le panneau lorsqu'il est chaud. Le panneau est chaud tant que l'indicateur de chaleur résiduelle est affiché, même si l'alimentation est coupée.

- Ne débranchez pas l'appareil en tirant sur le câble.
- Veuillez éteindre l'appareil et le laisser refroidir avant de le débrancher. Débranchez le cordon d'alimentation lorsque l'appareil n'est pas utilisé pendant une longue période.
- Tenez les ustensiles de cuisson éloignés de l'appareil après utilisation.

Pour éviter d'endommager l'appareil

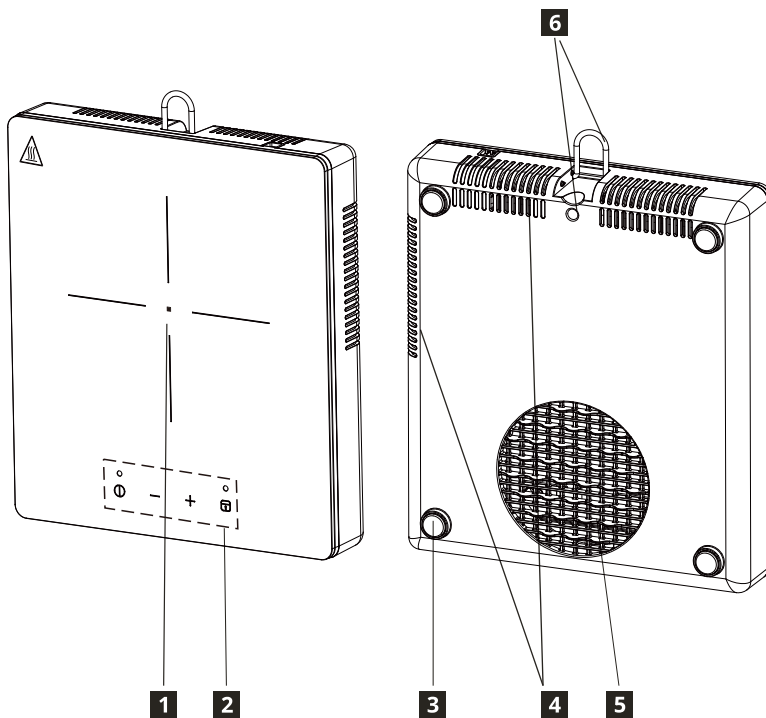
- La vitrocéramique peut être endommagée par des objets qui tombent dessus, ou si elle est heurtée par un ustensile.
- Les ustensiles de cuisson en fonte, en fonte d'aluminium ou avec des fonds endommagés peuvent laisser des égratignures sur la vitrocéramique s'ils sont glissés sur la surface.
- La vitrocéramique peut également être endommagée si elle tombe par terre.
- Pour éviter d'endommager les ustensiles de cuisson et la vitrocéramique, ne laissez pas des casseroles et poêles chauffer à vide.
- Ne mettez pas un ustensile de cuisson vide sur une zone de cuisson allumée et n'allumez pas une zone de cuisson sans ustensile de cuisson dessus.
- Ne couvrez aucune partie de l'appareil avec du papier d'aluminium. Ne placez jamais d'objets en plastique ou tout autre matériau susceptible de fondre dans ou sur l'appareil.

⚠ AVERTISSEMENT ! Laissez l'appareil branché après utilisation jusqu'à ce que le ventilateur s'arrête et le témoin de chaleur s'éteigne.

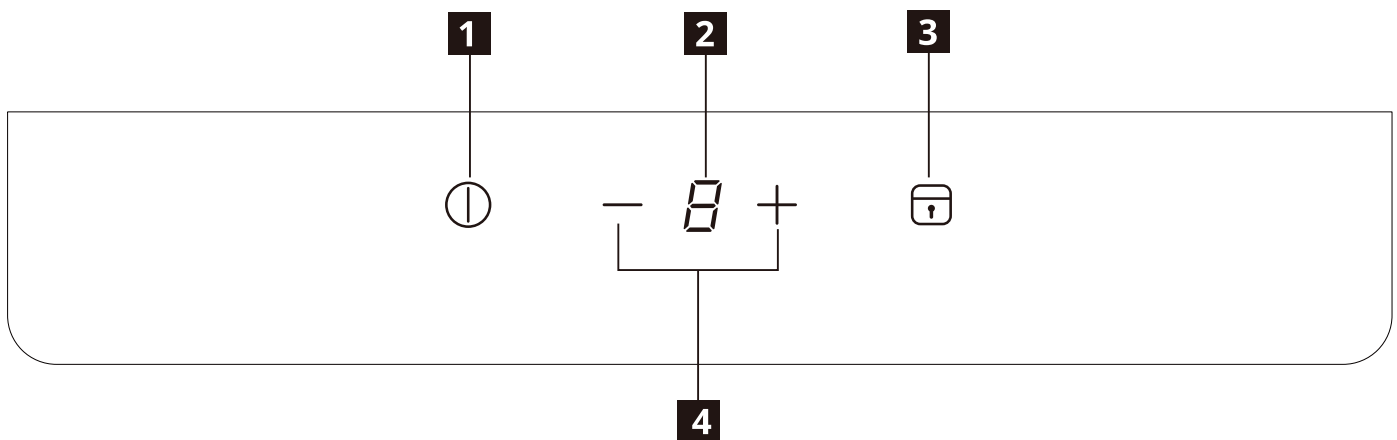
Informations sur l'acrylamide

Important ! Selon les connaissances scientifiques les plus récentes, faire brunir les aliments de manière intensive, en particulier les produits contenant de l'amidon, peut nuire à la santé à cause de l'acrylamide. C'est pourquoi nous vous recommandons de faire cuire les aliments à basse température et de ne pas trop les faire brunir.

Description de l'appareil



- 1** Zone de chauffage
Zone de cuisson 170 mm,
2 000 W
- 2** Bandeau de commande
- 3** Pieds en silicone
- 4** Sortie d'air
- 5** Entrée d'air
- 6** Crochet



Disposition du bandeau de commande

- 1** Allumer/Éteindre
- 2** Affichage du niveau de cuisson
- 3** Verrou/sécurité enfants
- 4** Réglage du niveau de cuisson -/+

Touches sensibles et éléments affichés

La table de cuisson est commandée à l'aide de touches sensibles.

La sélection d'une fonction est confirmée par un élément affiché et un signal acoustique (bip).

Niveau de cuisson	1	2	3	4	5	6	7	8	9
Puissance	150 W	250 W	300 W	450 W	600 W	800 W	1 100 W	1 500 W	2 000 W


Voyants

Casserole mal placée ou manquante


Ce symbole apparaît si la casserole ne convient pas à la cuisson à induction, si elle n'est pas positionnée correctement ou si elle n'est pas de taille appropriée pour la zone de cuisson sélectionnée. Si aucune casserole n'est détectée dans les 30 secondes suivant la sélection, la zone de cuisson s'éteindra.

Chaleur résiduelle

Si l'écran affiche « H », la zone de cuisson est encore chaude. Une fois la zone de cuisson refroidie, l'écran s'éteint.

⚠ AVERTISSEMENT ! Risque de brûlures par la chaleur résiduelle ! Une fois l'appareil éteint, la zone de cuisson met un certain de temps pour refroidir. Il faut surveiller l'indicateur de chaleur résiduelle .

Vous pouvez utiliser la chaleur résiduelle pour faire fondre ou garder au chaud des aliments.

Ne débranchez pas l'appareil tant que l'indicateur  reste affiché.

Utilisation quotidienne



Branchement au secteur

1. Dès que l'appareil est branché au secteur, la sécurité enfants est activée. Maintenez la touche de sécurité enfants enfoncée pendant 3 secondes pour la désactiver.

Allumer/Éteindre

1. Appuyez sur la touche Allumer/Éteindre, « 0 » s'affiche indiquant le mode veille et le témoin d'alimentation s'allume. Si aucun réglage de chaleur n'est sélectionné dans les 30 secondes, la table de cuisson s'éteint automatiquement sans qu'il soit nécessaire d'appuyer sur la touche Allumer/Éteindre.
2. Appuyez sur la touche Allumer/Éteindre pour éteindre la table de cuisson.



Réglage du niveau de cuisson

1. Appuyez sur — ou sur + pour contrôler le niveau de cuisson au cours de l'utilisation.
2. Appuyez sur —, le niveau de cuisson passe directement à « 9 ». Appuyez sur — pour diminuer le niveau de cuisson de « 9 » à « 1 ».
3. Appuyez sur +, le niveau de cuisson augmentera à partir de « 1 ». Appuyez sur + pour augmenter le niveau de cuisson de « 1 » à « 9 ».



Fonction de verrouillage

Lorsque la zone de cuisson fonctionne, vous pouvez verrouiller le bandeau de commande, par exemple pour nettoyer la table de cuisson. Cela permet d'éviter une modification accidentelle du réglage du niveau de cuisson. Mais vous pouvez toujours éteindre la table de cuisson à l'aide de la touche Allumer/Éteindre.

Activer le verrouillage

1. Réglez le niveau de cuisson souhaité.
2. Appuyez sur la touche de verrouillage pendant 3 secondes. La fonction est activée lorsque le voyant de la touche de verrouillage est allumé et qu'un son est émis.

Désactiver le verrouillage

1. Appuyez sur la touche de verrouillage pendant 3 secondes. La fonction est désactivée lorsque le voyant de la touche de verrouillage s'éteint et qu'un son est émis.
2. Le niveau de cuisson reviendra au réglage précédent.

Fonction de sécurité enfants

Vous pouvez également maintenir le bandeau de commande verrouillé lorsque la table de cuisson est éteinte. Cette fonction permet d'empêcher toute utilisation accidentelle de l'appareil.

Activer la sécurité enfants

1. Allumez l'appareil à l'aide de la touche Allumer/Éteindre. Ne réglez pas le niveau de cuisson.
2. Appuyez sur la touche de verrouillage pendant 3 secondes. La fonction est activée lorsque le voyant de la touche de verrouillage est allumé et qu'un son est émis.
3. Éteignez l'appareil à l'aide de la touche Allumer/Éteindre.

Désactiver la sécurité enfants

1. Appuyez sur la touche de verrouillage pendant 3 secondes. La fonction est désactivée lorsque le voyant de la touche de verrouillage s'éteint et qu'un son est émis.

Arrêt automatique**La table de cuisson s'éteint automatiquement lorsque :**

- Toutes les zones de cuisson sont éteintes.
- VOUS ne réglez pas le niveau de cuisson dans les 30 secondes après avoir allumé la table de cuisson.
- VOUS n'éteignez pas une zone de cuisson ou vous ne modifiez pas le niveau de cuisson après 2 heures, ou en cas de surchauffe (par exemple lorsqu'une casserole bout à sec).

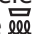
Table de cuisson

Réglage de la chaleur	Utilisation :	Durée (min)	Conseils
1	• Garder les aliments cuits au chaud.	selon les besoins	Poser un couvercle sur le récipient.
1 à 2	• Sauce hollandaise, faire fondre : beurre, chocolat, gélatine.	5 à 25	Mélanger de temps en temps.
2 à 3	• Faire mijoter des plats à base de riz et de lait, réchauffer des plats cuisinés.	25 à 50	Ajouter au moins deux fois plus de liquide que de riz et mélanger les plats de lait à mi-parcours.
4 à 5	• Cuire à la vapeur des légumes, du poisson, de la viande, des pommes de terre.	20 à 45	Ajouter une petite quantité d'eau.
	• Cuire de plus grandes quantités d'aliments et de ragoûts.	60 à 150	Ajouter une petite quantité d'eau.
5 à 6	• Friture douce : cordon bleu de veau, escalopes, rissoles, saucisses, roux, œufs.	selon les besoins	Retourner à mi-cuisson.
7 à 8	• Pommes de terre rissolées, steaks.	5 à 15	Retourner à mi-cuisson.
9	• Faire bouillir de l'eau, cuire des pâtes, saisir de la viande (goulasch, rôti), frire des frites.		

Conseils sur les ustensiles de cuisson**Quelles casseroles utiliser ?**

N'utilisez que des casseroles et des poêles dont le fond est en matériau ferromagnétique et qui sont adaptées à une utilisation avec des tables de cuisson à induction :

- Fonte
- Acier émaillé
- Acier au carbone
- Acier inoxydable (mais pas tous)
- Aluminium avec revêtement ou plaque ferromagnétique

Pour déterminer si une casserole ou une poêle est adaptée, vérifiez la présence du symbole  (généralement apposé sur le dessous). Vous pouvez également approcher un aimant du fond de la casserole. Si l'aimant s'accroche au-dessous, la casserole fonctionnera sur une table de cuisson à induction.

Pour garantir une efficacité optimale, utilisez toujours des casseroles et poêles à fond plat qui répartissent la chaleur de manière uniforme. Si le fond est irrégulier, cela affectera la puissance et la conduction de la chaleur.

Mode d'emploi

Diamètre minimal du fond de la casserole/poêle pour les différentes zones de cuisson

Pour assurer le bon fonctionnement de la table de cuisson, la casserole doit couvrir un ou plusieurs des points de référence indiqués sur la surface de la table de cuisson et doit avoir un diamètre minimal approprié.

Utilisez toujours la zone de cuisson qui correspond le mieux au diamètre du fond de la casserole.

Zone de cuisson	Diamètre recommandé de l'ustensile de cuisson [mm]
Zone de cuisson moyenne arrière	120 à 180

Casseroles/poêles vides ou à fond mince

N'utilisez pas de casseroles/poêles vides ou à fond mince sur la table de cuisson, car celle-ci ne pourra pas contrôler la température ou s'éteindre automatiquement si la température est trop élevée, ce qui risque d'endommager la casserole ou la surface de la table de cuisson. Si cela se produit, ne touchez à rien et attendez que tous les éléments refroidissent.

Si un message d'erreur apparaît, reportez-vous à la section « Dépannage ».

Conseils/astuces

Bruit pendant la cuisson

Lorsqu'une zone de cuisson est active, elle peut bourdonner brièvement. Il s'agit d'une caractéristique de toutes les zones de cuisson en vitrocéramique et cela ne nuit pas au fonctionnement ni à la durée de vie de l'appareil. Le bruit dépend de l'ustensile de cuisson utilisé. Si le bruit est insupportable, il peut être utile de changer de batterie de cuisine.

Bruits de fonctionnement normaux de la table de cuisson à induction

La technologie de l'induction repose sur la création de champs électromagnétiques qui génèrent de la chaleur directement sur le fond des ustensiles de cuisson. Les casseroles et les poêles peuvent être à l'origine de divers bruits ou vibrations en fonction de leur fabrication.

Ces bruits sont décrits ci-après :

Faible bourdonnement (comme un transformateur)

Ce bruit se produit lors de la cuisson à un niveau de chaleur élevé. Il dépend de la quantité d'énergie transférée de la table de cuisson à l'ustensile de cuisson.

Le bruit cesse ou s'atténue lorsque le niveau de chaleur est réduit.

Sifflement discret

Ce bruit se produit lorsque le récipient de cuisson est vide. Il cesse dès que des liquides ou des aliments sont placés dans le récipient.

Craquement

Ce bruit se produit avec des ustensiles de cuisson composés de différents matériaux en couche les uns sur les autres.

Il est causé par les vibrations des surfaces de contact entre différents matériaux. Le bruit se produit sur l'ustensile de cuisson et dépend de la quantité d'aliments ou de liquides et de la méthode de cuisson (par exemple, ébullition, mijotage, friture).

Sifflement bruyant

Ce bruit se produit avec des ustensiles de cuisson composés de différentes couches de matériaux, lorsqu'ils sont utilisés en même temps à leur puissance maximale et sur deux zones de cuisson. Le bruit cesse ou s'atténue lorsque le niveau de chaleur est réduit.

Ces bruits sont normaux : bruits de ventilateur.

Pour le bon fonctionnement du système électronique, il est nécessaire de contrôler la température de la table de cuisson. Pour cela, la table de cuisson est équipée d'un ventilateur de refroidissement, qui est activé pour réduire et contrôler la température du système électronique. Le ventilateur peut également continuer à fonctionner après l'arrêt de l'appareil si la température détectée de la table de cuisson est encore trop élevée après son arrêt.

Sons répétitifs, semblables au tic-tac d'une horloge

Ce bruit ne se produit que lorsqu'au moins trois zones de cuisson fonctionnent et disparaît ou s'atténue lorsque certaines de ces zones sont éteintes. Les bruits mentionnés sont une manifestation normale du fonctionnement de la technologie à induction et ne doivent pas être considérés comme des défauts.

Entretien et nettoyage

⚠ AVERTISSEMENT ! Éteignez l'appareil et le laisser refroidir avant de le débrancher.

⚠ AVERTISSEMENT ! Éteignez l'appareil et le laisser refroidir avant de le nettoyer.

⚠ AVERTISSEMENT ! Pour des raisons de sécurité, n'utilisez jamais d'appareil à vapeur ou à haute pression pour nettoyer l'appareil.

⚠ AVERTISSEMENT ! L'appareil sera endommagé par des objets pointus et des produits de nettoyage abrasifs. Après chaque utilisation, nettoyez l'appareil et éliminez les résidus avec de l'eau et un liquide vaisselle. Enlevez également le résidu des produits de nettoyage !

i Des égratignures ou des taches foncées impossibles à enlever sur la vitrocéramique n'affectent pas le fonctionnement de l'appareil.

Nettoyage des résidus et taches tenaces :

- Les résidus alimentaires contenant du sucre, de matières plastiques, de papier d'aluminium doivent être éliminés immédiatement ; le meilleur outil pour le nettoyage de la surface du verre est un racloir (non inclus avec l'appareil). Pour enlever les résidus, tenez le racloir incliné par rapport à la surface vitrocéramique en faisant glisser la lame. Essayez l'appareil avec un chiffon humide avec un peu de liquide vaisselle. Séchez ensuite l'appareil avec un chiffon propre.
- Une fois l'appareil suffisamment refroidi, nettoyez les dépôts de calcaire, traces d'eau, éclaboussures de graisse, décolorations métalliques brillantes à l'aide d'un produit de nettoyage pour vitrocéramique ou inox.

Dépannage

Problème	Cause possible	Solution
L'appareil ne marche pas.	Panne de courant ou court-circuit dans votre source d'alimentation domestique.	
	Branchement au secteur incorrect.	Branchez correctement l'appareil au secteur.
	Plus de 10 secondes se sont écoulées après la mise en marche de l'appareil.	Remettez l'appareil en marche.
	La sécurité enfants est activée.	Désactivez la sécurité enfants. (Reportez-vous à la section « Sécurité enfants ».)
L'appareil cesse de fonctionner. Indication d'erreur : [U] → [U]	L'ustensile de cuisson n'est pas adapté à la cuisson par induction.	Utilisez un ustensile de cuisson approprié à la cuisson par induction.
	Aucun ustensile de cuisson sur la zone de cuisson, ou le diamètre de l'ustensile de cuisson est inférieur à 120 mm.	Placez un ustensile de cuisson sur la zone de cuisson.
L'appareil cesse de fonctionner. Indication d'erreur : [E] → [E]	L'ustensile de cuisson est vide (ébullition à sec) ou la température de cuisson est trop élevée.	Éteignez l'appareil et redémarrez-le après 5 minutes. Si le code E2 persiste, veuillez contacter le magasin IKEA le plus proche.
	L'entrée et la sortie d'air sont obstruées.	
	La température ambiante est trop élevée.	

L'appareil cesse de fonctionner. Indication d'erreur : E → 3	La tension secteur est supérieure à 275 V CA.	Utilisez une tension d'alimentation appropriée au produit.
L'appareil cesse de fonctionner. Indication d'erreur : E → 4	La tension secteur est inférieure à 100 V CA.	Utilisez une tension d'alimentation appropriée au produit.
L'appareil cesse de fonctionner. Indication d'erreur : E → 5	Le capteur de température de l'appareil ne fonctionne pas.	Contactez le plus proche magasin IKEA.
L'appareil cesse de fonctionner. Indication d'erreur : E → 6		
L'appareil cesse de fonctionner. Indication d'erreur : E → 0	Exception interne	Éteignez l'appareil et redémarrez-le après 5 minutes. Si le code EO persiste, veuillez contacter le magasin IKEA le plus proche.

Le code d'erreur s'affiche lorsque la table de cuisson est allumée et qu'une erreur est détectée. La lettre E et les chiffres s'affichent par intermittence (1 seconde).

En cas de panne, essayez de la résoudre en suivant les directives de dépannage. Si le problème ne peut être résolu, contactez le magasin IKEA le plus proche.

i Si le problème résulte d'une erreur de manipulation de la part de l'utilisateur, l'intervention du revendeur peut être facturée, même pendant la période de garantie.

Données techniques

Modèle	14CP12301
Type de table de cuisson	Plaque de cuisson à induction indépendante
Nombre de zones ou de surfaces de cuisson	1
Valeurs nominales	2000 W
Tension nominale	220 - 240 V~
Fréquence nominale	50 - 60 Hz
Profondeur	305 mm
Largeur	270 mm
Hauteur	62 mm
Poids net	2,33 kg

Numéro de série
(commence par SN,
code à 22 chiffres)

Numéro d'article
(code à 8 chiffres)

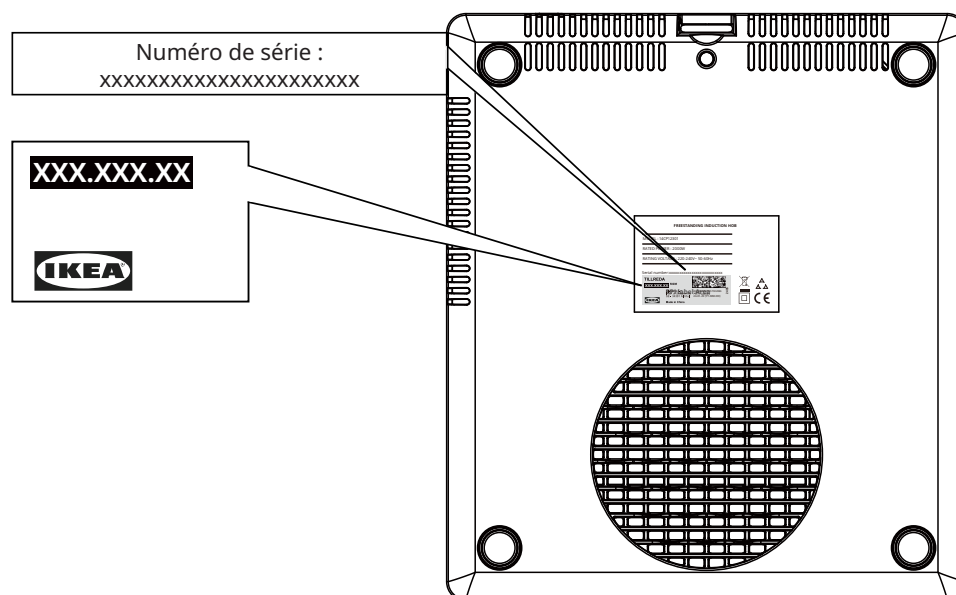



Illustration à titre de référence
uniquement

Efficacité énergétique

Identification du modèle	14CP12301
Type de table de cuisson	Appareil portable
Nombre de zones de cuisson	1
Technologie de chauffage	Induction
Diamètre des zones de cuisson circulaires (Ø)	170 mm
Consommation d'énergie par zone de cuisson (cuisson électrique CE)	184 Wh/kg
Consommation d'énergie de la table de cuisson (cuisson électrique CE)	184 Wh/kg
Informations sur le produit en matière de consommation d'énergie et sur le temps nécessaire pour atteindre le mode économie d'énergie applicable	mode éteint: 0,5 W
Temps maximal nécessaire pour atteindre le mode économie d'énergie applicable	5 secondes
Directive 2009/125/CE, RÈGLEMENT (UE) N° 66/2014 DE LA COMMISSION, EN 60350-2:2018 + A1:2021.	

Protection de l'environnement


Mise au rebut des appareils ménagers

Le symbole  sur le produit ou son emballage indique que ce produit ne peut être traité comme déchet ménager. Il doit être remis à un point de collecte approprié pour le recyclage des équipements électriques et électroniques. En vous assurant que ce produit est correctement jeté, vous aidez à éviter les conséquences potentiellement néfastes pour l'environnement et la santé publique, qui pourraient sinon être causées par une manipulation des ordures inadaptée à ce produit. Pour plus d'informations sur le recyclage de ce produit, veuillez contacter votre mairie, le service des ordures ménagères ou le magasin où vous avez acheté le produit.

⚠ AVERTISSEMENT ! Voilà ce qu'il faut faire avant de jeter l'appareil :

- Retirez la fiche de la prise secteur.
- Coupez et jetez le cordon d'alimentation.

Mise au rebut des matériaux d'emballage

Les matériaux marqués par ce symbole  sont recyclables.

Déposez les matériaux d'emballage dans un conteneur de collecte approprié pour être recyclés.

Économie d'énergie

- Si possible, recouvrez toujours les ustensiles de cuisson avec leurs couvercles.
- Placez l'ustensile de cuisson sur la zone de cuisson avant de l'allumer.
- Le fond de l'ustensile de cuisson doit être aussi plat et épais que possible.

Garantie IKEA

Combien de temps la garantie IKEA est-elle valable ?

Cette garantie est valable pendant 2 ans à compter de la date d'achat initiale de votre appareil chez IKEA, sauf disposition contraire dans la législation nationale. Rendez-vous sur IKEA.com pour connaître les dispositions applicables dans votre pays. La preuve d'achat originale est requise. Si des travaux d'entretien sont effectués sous garantie, cela ne prolongera pas la période de garantie de l'appareil.

Qui effectuera la réparation ?

Contactez le plus proche magasin IKEA.

Que couvre cette garantie ?

La garantie couvre les défauts de l'appareil dus à des vices de matière ou de fabrication à compter de la date d'achat chez IKEA.

Cette garantie s'applique uniquement à un usage domestique.

Les exceptions sont précisées à la section « Qu'est-ce qui n'est pas couvert par cette garantie ? » Pendant la période de garantie, les coûts de correction du défaut, par exemple les réparations, les pièces, la main-d'œuvre et les déplacements, seront couverts, à condition que l'appareil soit accessible pour être réparé sans nécessiter de dépenses spéciales. Les pièces remplacées deviendront propriété d'IKEA.

Que fera IKEA pour régler le problème ?

IKEA examinera le produit et décidera, à sa seule discrétion, s'il est couvert par cette garantie. Si tel est le cas, IKEA procède alors, à sa seule discrétion, à la réparation du produit défectueux ou à son remplacement par le même produit ou par un produit équivalent.

Qu'est-ce qui n'est pas couvert par cette garantie ?

- L'usure normale.
- Les dommages occasionnés sciemment ou par négligence, les dommages résultant du non-respect des instructions d'utilisation, d'une installation inadéquate ou d'une alimentation électrique inadéquate, les dommages causés par des réactions chimiques ou électrochimiques, la rouille, la corrosion ou un dégât des eaux, y compris, notamment, les dommages causés par un excès de calcaire dans l'eau, les dommages causés par des conditions environnementales anormales.
- Les consommables, y compris les ampoules et les piles.

- Les éléments non fonctionnels et décoratifs qui n'affectent pas l'usage normal de l'appareil, y compris les rayures et les éventuelles différences de couleur.
- Les dommages accidentels causés par des corps étrangers ou des substances, et le nettoyage et le débouchage des filtres, des systèmes de vidange ou des compartiments à savon.
- Les dommages occasionnés aux éléments suivants : vitrocéramique, accessoires, paniers à vaisselle et à couverts, tuyaux d'alimentation et de vidange, joints, ampoules et diffuseurs, écrans, boutons, revêtements et parties de revêtements. Sauf s'il est prouvé que ces dommages sont dus à des vices de fabrication.
- Les réparations qui ne sont pas effectuées par nos réparateurs désignés et/ou un partenaire contractuel autorisé ou en cas d'utilisation antérieure de pièces non d'origine.
- Les réparations consécutives à une installation inadéquate ou non conforme aux spécifications.
- L'utilisation de l'appareil dans un environnement non domestique (p. ex. professionnel).
- Les dommages occasionnés par ou durant le transport. Si un client transporte personnellement le produit jusqu'à son domicile ou une autre adresse, IKEA décline toute responsabilité en cas de dommages pendant le transport. Si IKEA livre le produit à l'adresse de livraison indiquée par le client, tout éventuel dommage se produisant en cours de livraison sera couvert par IKEA.
- Les frais liés à l'installation initiale de l'appareil IKEA. Toutefois, si un prestataire de services IKEA ou son partenaire de service agréé répare ou remplace l'appareil selon les termes de cette garantie, le prestataire de services ou son partenaire de service agréé réinstallera l'appareil réparé ou installera l'appareil de rechange, si nécessaire.

Loi nationale applicable

La garantie IKEA vous donne des droits légaux spécifiques, qui couvrent ou dépassent les exigences locales. Cependant, ces conditions ne limitent en aucun cas les droits des consommateurs décrits dans la législation locale.

Zone de validité

Pour les appareils achetés dans un pays de l'UE et transportés dans un autre pays de l'UE, les services seront fournis dans le cadre des conditions de garantie normales dans le nouveau pays. L'obligation de fournir des services dans le cadre de la garantie n'existe que si l'appareil est conforme et installé conformément aux :

- spécifications techniques du pays dans lequel la demande de garantie est formulée ;
- instructions de montage et aux informations relatives aux consignes de sécurité figurant dans le manuel d'utilisation.

SERVICE APRÈS-VENTE pour les appareils IKEA

N'hésitez pas à contacter IKEA pour :

- faire une demande d'intervention sous garantie ;
- demander des précisions au sujet des fonctions des appareils IKEA.

Afin de vous garantir la meilleure assistance possible, nous vous prions de lire attentivement les instructions d'assemblage et le mode d'emploi avant de nous contacter.

Comment nous joindre en cas de besoin



Le centre de service après-vente IKEA vous aide par téléphone à résoudre des problèmes élémentaires au moment de la demande d'appel de service. Reportez-vous au catalogue IKEA ou visitez www.ikea.com pour trouver le numéro de téléphone et les heures d'ouverture de votre magasin local.

Afin de pouvoir vous assurer un service plus rapide, il faut toujours nous fournir le code article IKEA (nombre à 8 chiffres) se trouvant sur la plaque signalétique de votre appareil.

CONSERVEZ VOTRE PREUVE D'ACHAT !

Votre preuve d'achat est nécessaire pour faire appliquer la garantie. Le nom et le numéro d'article IKEA (code à 8 chiffres) de chaque appareil acheté figurent également sur la preuve d'achat.

Besoin d'aide supplémentaire ?

Pour toute autre question non relative au service après-vente de vos appareils, contactez le centre d'appel de votre magasin IKEA. Nous vous recommandons de lire attentivement toute la documentation fournie avec l'appareil avant de nous contacter.

Inhoud

Veiligheidsinformatie	46	Reiniging en onderhoud	54
Veiligheidsinstructies	47	Probleemoplossing.....	54
Productbeschrijving.....	50	Technische gegevens	55
Indicatoren.....	51	Energie-efficiëntie.....	56
Dagelijks gebruik	51	Milieu.....	56
Kooktabel	52	Garantie van IKEA	57
Instructies voor het kookgerei	52		

Veiligheidsinformatie

- ⓘ Lees voor uw eigen veiligheid en een correcte werking van het apparaat eerst deze handleiding aandachtig door, alvorens het apparaat te installeren en te gebruiken. Bewaar deze instructies altijd bij het apparaat, ook wanneer u verhuist of het verkoopt. Gebruikers moeten volledig op de hoogte zijn van de werking en de veiligheidsfuncties van het apparaat.

Correct gebruik

- Laat het apparaat tijdens gebruik niet onbewaakt achter.
- Het apparaat is uitsluitend ontworpen voor huishoudelijk gebruik.
- Het apparaat is uitsluitend ontworpen voor binnenshuis gebruik.
- Het apparaat mag niet worden gebruikt als werkoppervlak of als oppervlak om iets op te bergen.
- Plaats geen brandbare vloeistoffen, ontvlambare materialen of voorwerpen die kunnen smelten (bijv. plastic folie, plastic, aluminium) in of in de buurt van het apparaat.
- Wees voorzichtig bij het aansluiten van elektrische apparaten op stopcontacten in de buurt van het apparaat. Laat de contacten niet in aanraking komen met de onderkant van het apparaat of hete kookgerei.
- Voer niet eigenhandig reparaties uit om letsel en schade aan het apparaat te voorkomen. Neem altijd contact op met uw dichtstbijzijnde IKEA-winkel.

Veiligheid voor kinderen en kwetsbare personen

- Dit apparaat kan worden gebruikt door kinderen van 8 jaar en ouder en door personen met beperkte fysieke, zintuiglijke of mentale vermogens of met een gebrek aan kennis en ervaring, indien zij onder toezicht staan of aanwijzingen krijgen over het veilige gebruik van het apparaat en zij de gevaren die hiermee zijn gemoeid begrijpen.
- Houd alle verpakkingsmaterialen uit de buurt van kinderen. Er bestaat verstikkingsgevaar.
- Houd kinderen uit de buurt van het apparaat zowel tijdens gebruik als wanneer het apparaat niet wordt gebruikt.
- Kinderen met een leeftijd van minder dan 8 jaar moeten uit de buurt worden gehouden, tenzij ze constant onder toezicht staan.
- Kinderen mogen niet met het apparaat spelen. Kinderen mogen niet zonder toezicht het apparaat reinigen of er gebruikersonderhoud aan uitvoeren.

⚠ **WAARSCHUWING!** Activeer het kinderslot om te voorkomen dat kleine kinderen en huisdieren het apparaat onbedoeld inschakelen.

Algemene veiligheid

- Houd ventilatieopeningen in de behuizing van het apparaat of in de ingebouwde structuur vrij.
- Raak het paneel niet aan als de restwarmte-indicator nog brandt om letsel te voorkomen.

- Stop tijdens gebruik geen voorwerpen in de inductieplaat om elektrische schokken te voorkomen.
- Wikkel de kabel niet om de nek om verwurging te voorkomen.
- Er mag geen stoomreiniger worden gebruikt om het apparaat te reinigen.
- Er mogen geen metalen voorwerpen, zoals messen, vorken, lepels en deksels, op het oppervlak van de kookplaat worden gelegd, omdat ze heet kunnen worden.
- Schakel na gebruik het element van de kookplaat met de hiervoor bestemde knop uit en vertrouw niet op de pandetector.
- Dit apparaat is er niet voor bestemd om het te laten werken door middel van een externe timer of een apart afstandbediend systeem.
- Vermijd het aanraken van de verwarmingselementen.
- Als het netsnoer is beschadigd, dient het om gevaar te vermijden te worden vervangen door de fabrikant, het bevoegde onderhoudscentrum of door een gelijkwaardig bevoegde persoon. Neem contact op met de dichtstbijzijnde IKEA winkel.
- Het apparaat is uitsluitend bestemd voor huishoudelijke en vergelijkbare toepassingen, zoals:
 - Personeelskeukens in winkels, kantoren en andere werkomgevingen;
 - Boerderijen;
 - Dit apparaat is bedoeld voor huishoudelijk- en soortgelijk gebruik, b.v. door gasten in hotels, motels en andere woonomgevingen;
 - En bed & breakfast-achtige omgevingen.

⚠ OPGELET: heet oppervlak, de oppervlakken kunnen heet worden tijdens het gebruik.

⚠ WAARSCHUWING! Schakel als het oppervlak is gebarsten het apparaat uit om mogelijke elektrische schokken te vermijden. Neem contact op met de dichtstbijzijnde IKEA winkel.

⚠ WAARSCHUWING! Het apparaat en de bereikbare onderdelen hiervan worden heet tijdens het gebruik.

⚠ WAARSCHUWING! Het koken met vet of olie zonder toezicht kan gevaarlijk zijn en tot brand leiden. Probeer NOOIT om een brand met water te blussen, maar schakel het apparaat uit en dek dan de vlammen af met bijvoorbeeld een deksel of een branddeken.

Veiligheidsinstructies

Installatie

- De fabrikant is niet verantwoordelijk voor letsel aan personen of huisdieren of schade aan eigendommen veroorzaakt door het niet opvolgen van de volgende vereisten.

⚠ OPGELET! Raadpleeg de Veiligheidsinformatie voor u verder gaat met de installatie.

⚠ WAARSCHUWING! Het installatieproces moet de wetten, voorschriften, richtlijnen en normen die van kracht zijn in het land

waar het apparaat wordt gebruikt in acht nemen (veiligheidsvoorschriften, correcte recycling overeenkomstig de voorschriften, enz.)!

- Installeer het apparaat niet naast deuren of onder ramen omdat kookgerei mogelijk van de kookplaat kan vallen als deuren en ramen worden geopend.
- Controleer of het apparaat niet is beschadigd tijdens het transport. Sluit een beschadigd apparaat niet aan.
- Installeer het apparaat niet als het tijdens het transport beschadigd is geraakt.

- Sluit de kookplaat niet aan met verleng snoeren en zorg ervoor dat de kabel van de kookplaat niet over andere werkplekken wordt geplaatst.
- Gelieve de specificaties niet te wijzigen of het product aan te passen. Risico op verwonding en beschadiging aan het apparaat.

⚠ **WAARSCHUWING!** Volg de instructies voor elektrische aansluiting nauwkeurig.

Elektrische aansluitingen

- Controleer voordat u het apparaat aansluit, of de nominale spanning op de typeplaat van het apparaat overeenkomt met de beschikbare voedingsspanning. Controleer ook het vermogen van het apparaat en controleer of de elektrische installatie in de woning geschikt is voor het vermogen van het apparaat (raadpleeg het hoofdstuk "Technische gegevens").
- Het typeplaatje bevindt zich onderaan de behuizing van de kookplaat.

⚠ **WAARSCHUWING!** Risico op verwonding door elektrische stroom.

- Loszittende en onnodige stekkerverbindingen kunnen oververhitting van de aansluiting veroorzaken.

Vóór gebruik:

Gelieve de volgende instructies uit te voeren vóór gebruik.

- Gebruik het standaardstopcontact voor hoofdvoeding en controleer het stopcontact regelmatig om schade te voorkomen.
- Maak het apparaat zelf niet open en laat dat ook niet door een daarvoor onbekwaam persoon doen. Laat het apparaat alleen repareren door een installateur of een vergelijkbaar gekwalificeerde technicus.
- Controleer de stroomkabel en de stekker. Als het netsnoer of de stekker is beschadigd, mag u het apparaat niet

gebruiken. Trek niet aan de stekker met natte handen.

- Gebruik geen verlengsnoer en gebruik alleen het stopcontact voor hoofdvoeding.
- Als het apparaat langere tijd niet wordt gebruikt, schakel dan eerst het apparaat in om de elektronische component 10 minuten te laten stabiliseren. Vervolgens kunt u het apparaat gaan gebruiken.
- Gebruik het apparaat niet in de buurt van water, vuur of in een vochtige omgeving. Het apparaat is ALLEEN bedoeld voor gebruik binnenshuis.
- Verwijder voor het eerste gebruik al het verpakkingsmateriaal, de stickers en de folie van het apparaat.
- Schakel de branders na elk gebruik uit met de besturingselementen en vertrouw niet alleen op pandetectie.
- Kans op brandwonden! Plaats geen metalen objecten zoals messen, vorken, lepels en pannendeckels op het kookoppervlak omdat deze heet kunnen worden.

⚠ **WAARSCHUWING!** Brandgevaar! Oververhitte vetten en oliën kunnen erg snel ontvlammen.

⚠ **WAARSCHUWING!** Gebruikers met geïmplanteerde pacemakers moeten hun bovenlichaam op een afstand van ten minste 30 cm van ingeschakelde inductiekookzones houden.

⚠ **WAARSCHUWING!** Bedien het apparaat niet met natte handen en houd het oppervlak van het bedieningspaneel droog. Veel water op de toetsen van het bedieningspaneel maakt deze defect.

⚠ **WAARSCHUWING!** Als het oppervlak is gebarsten, schakelt u het apparaat uit om het risico op een elektrische schok te voorkomen.

Tijdens & na gebruik:

Lees de instructies nauwkeurig om ontvlaming en ongelukken te voorkomen.

- Plaats het apparaat ALLEEN op een vlakke en stevige ondergrond.

- Kinderen moeten onder toezicht staan om ervoor te zorgen dat ze niet met het apparaat spelen.
- Plaats geen andere voorwerpen op het paneel wanneer het apparaat aan staat.
 - a) Roestvrij staal
 - b) Ijzer
 - c) Gietijzer
 - d) Aluminium
 - e) Deksel en email
 - f) Mes, vork of lepel
 - g) Borden van ijzer, roestvrij staal, gietijzer of aluminium
 - h) Leeg kookgerei
- Draag of verplaats het apparaat niet tijdens verhitting als er kookgerei op staat.
- Zorg ervoor dat de omgeving goed geventileerd is tijdens verhitting.
- Steek geen draden of metalen voorwerpen in de luchtinlaat of -uitlaat van het apparaat.
- Het paneel onderhouden.
 - a) Laat geen zware objecten op het paneel vallen.
 - b) Giet geen water, zuur of andere vloeistof op het paneel.
 - c) Laat niets verbranden met vuur op het paneel.
 - d) Plaats geen heet kookgerei op het apparaat wanneer het niet in gebruik is.
 - e) Als het oppervlak (paneel) gebarsten is, zet het apparaat dan onmiddellijk uit om elektrische schokken te voorkomen en ga terug naar de dichtstbijzijnde IKEA-winkel.
 - f) Sommig kookgerei kan geluid maken tijdens gebruik. Door het kookgerei een beetje te verplaatsen kan het geluid verdwijnen of afnemen. Verander van kookgerei als dit niet het geval is.
- Plaats het apparaat niet op vloerbedekking, doek of papieren materiaal wanneer het apparaat aan staat.
- Raak het paneel niet aan als dit heet is. Het paneel is heet tot de restwarmte-indicator uit gaat, ook als het apparaat is uitgeschakeld.

- Trek de stekker van het apparaat er niet uit door aan het snoer te trekken.
- Schakel het apparaat uit en laat het afkoelen voordat u de stekker er uit trekt. Trek de stekker van het apparaat er uit wanneer het gedurende langere tijd niet wordt gebruikt.
- Houd het kookgerei na gebruik uit de buurt van het apparaat.

Schade aan het apparaat voorkomen

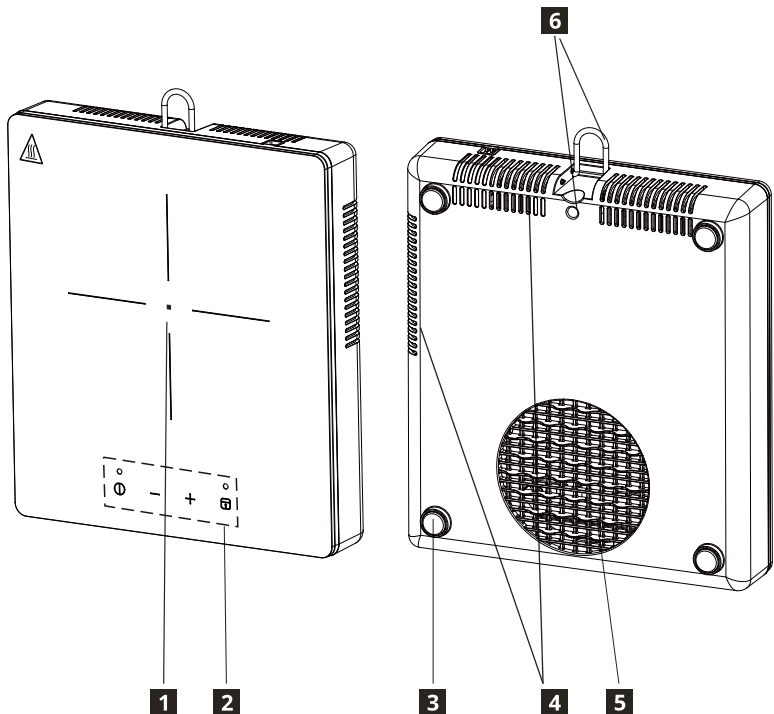
- De glaskeramiek kan beschadigd raken als er objecten op vallen of als er kookgerei op valt.
- Kookgerei van gietijzer, aluminium of met een beschadigde onderkant kunnen krassen veroorzaken op het glaskeramiek of op het oppervlak glijden.
- Glaskeramiek kan ook beschadigd raken als het op de grond valt.
- Zorg ervoor dat sauspannen of koekenpannen niet droogkoken om beschadiging aan het kookgerei en het glaskeramiek te voorkomen.
- Gebruik de kookzone niet met leeg kookgerei of zonder kookgerei.
- Bedek delen van het apparaat nooit met aluminiumfolie. Plaats geen plastic of ander materiaal op het apparaat omdat dit in of op het apparaat kan smelten.

⚠ WAARSCHUWING! Houd het product verbonden met het stopcontact na gebruik tot de ventilator en de hitte-indicator zijn uitgeschakeld.

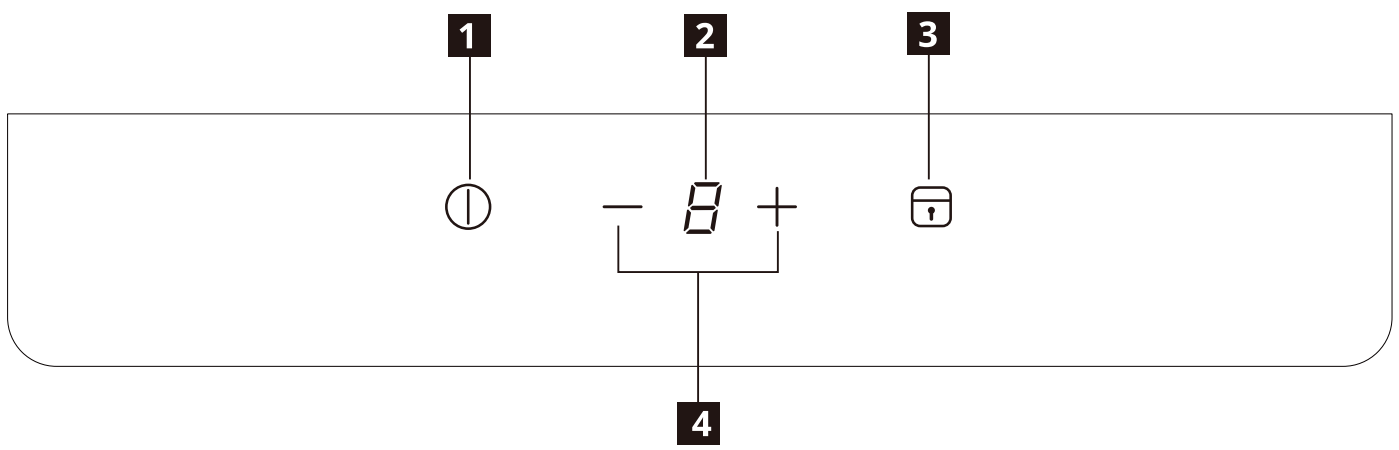
Informatie over acrylamide

Belangrijk! Volgens recente wetenschappelijke informatie kan het intensief bruinen van levensmiddelen, met name in producten die zetmeel bevatten, een gezondheidsrisico vormen tengevolge van acrylamides. Daarom adviseren wij levensmiddelen zoveel mogelijk bij lage temperaturen gaar te laten worden en de gerechten niet teveel te bruinen.

Productbeschrijving



- 1** Opwarmzone
Kookzone 170 mm, 2000 W
- 2** Bedieningspaneel
- 3** Silicone pootjes
- 4** Luchtuitlaat
- 5** Luchtinlaat
- 6** Haakhanger



Bedieningspaneel lay-out

- 1** Aan/Uit
- 2** Weergave vermogensniveau
- 3** Vergrendeling/Kinderslot
- 4** Instelling vermogensniveau - / +

Druksensorvelden en displays

U bedient de kookplaat door het aanraken van de druksensorvelden. Displays en geluidssignalen (korte piepgeluiden) bevestigen de keuze van een functie.

Stroomvermogen	1	2	3	4	5	6	7	8	9
Voeding	150 W	250 W	300 W	450 W	600 W	800 W	1100 W	1500 W	2000 W

Indicatoren

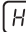
Pan is verkeerd neergezet of ontbreekt


Dit symbool verschijnt als de pan niet geschikt is voor inductiekoken, niet correct is neergezet of niet de juiste maat heeft voor de geselecteerde kookzone. Als binnen 30 seconden na het maken van de selectie geen pan wordt gedetecteerd, wordt de kookzone uitgeschakeld.

Restwarmte

Als het display "H" weergeeft, dan is de kookzone nog heet. Als de kookzone is afgekoeld, gaat het display uit.

WAARSCHUWING!

Verbrandingsgevaar door restwarmte! Nadat u het apparaat hebt uitgeschakeld, duurt het even voordat de kookzones zijn afgekoeld. Controleer de restwarmte-indicator .

Gebruik de restwarmte voor het smelten en warm houden van gerechten. Schakel het product niet uit voordat  van de display verdwijnt.

Dagelijks gebruik



De stekker aansluiten

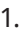





- Nadat u de stekker in het hoofdstopcontact hebt gestopt wordt het kinderslot geactiveerd. Houd de toets Kinderslot gedurende 3 seconden ingedrukt om uit te schakelen.

Aan/Uit

- Houd de AAN/UIT-toets ingeschakeld, het scherm zal "0" weergeven net als in de standby-modus en het stroomindicatorlampje gaat branden. Als er binnen 30 seconden geen verwarmingsinstelling wordt geselecteerd, dan wordt de kookplaat automatisch uitgeschakeld zonder op de AAN-/UIT-toets te drukken.
- Als u tijdens gebruik op de AAN/UIT-toets drukt, wordt de kookplaat uitgeschakeld.



Instelling vermogensniveau

- Druk op  of  om het vermogensniveau tijdens gebruik in te stellen.
- Als u op  drukt, dan gaat het vermogensniveau gelijk naar "9".
Als u op  drukt, dan neemt het vermogensniveau af van "9" naar "1".
- Als u op  drukt, dan neemt het vermogensniveau toe vanaf "1".
Als u op  drukt, wordt het stroomniveau verhoogd van "1" naar "9".



Vergrendelingsfunctie

Als er in de kookzone gewerkt wordt, kunt u het bedieningspaneel vergrendelen, bijvoorbeeld om de kookplaat te reinigen. Dit voorkomt onbedoeld wijzigen van de instelling van het vermogensniveau. De kookplaat kan nog steeds worden uitgeschakeld met de Aan-/Uit-toets.

Vergrendeling activeren

- Stel het gewenste vermogensniveau in.
- Druk gedurende 3 seconden op de vergrendelingstoets. De functie wordt geactiveerd wanneer het lampje van vergrendelingstoets brandt en een geluid wordt gegeven.

Vergrendeling deactiveren

- Druk gedurende 3 seconden op de vergrendelingstoets. De functie wordt gedeactiveerd als het lampje van vergrendelingstoets uit gaat en een geluid wordt gegeven.
- Het vermogensniveau keert terug naar de vorige instelling.

Kinderslotfunctie

U kunt het bedieningspaneel ook vergrendeld houden als de kookplaat uit staat. Door deze functie voorkomt u dat het apparaat onbedoeld wordt ingeschakeld.

Activeer het kinderslot

1. Activeer het apparaat met de toets AAN/UIT. Stel geen vermogensniveau in.
2. Druk gedurende 3 seconden op de vergrendelingstoets. De functie wordt geactiveerd wanneer het lampje van vergrendelingstoets brandt en een geluid wordt gegeven.
3. Deactiveer het apparaat met de toets AAN/UIT.

Deactiveer het kinderslot

1. Druk gedurende 3 seconden op de vergrendelingstoets. De functie wordt gedeactiveerd als het lampje van vergrendelingstoets uit gaat en een geluid wordt gegeven.

Automatische uitschakeling

De functie schakelt de kookplaat automatisch uit als:

- Alle kookzones zijn uitgeschakeld.
- U stelt het vermogensniveau niet in na het binnen 30 seconden inschakelen van de kookplaat.
- U schakelt een kookzone niet uit of u wijzigt het vermogensniveau niet na 2 uur, of als de oververhitting optreedt (bijvoorbeeld wanneer een pan droog kookt).

Kooktabel

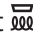
Hitte-instelling	Gebruiken voor:	Tijd (min.)	Tips
1	• Gekookt voedsel warmhouden.	Waar nodig	Dek het voedsel af met een deksel.
1-2	• Hollandaisesaus, smelten: boter, chocolade, gelatine.	5-25	Roer regelmatig door.
2-3	• Rijst- en melkgerechten sudderen en kant-en-klaarmaaltijden opwarmen.	25-50	Voeg minimaal twee keer zoveel vloeistof toe als rijst en roer melkgerechten halverwege door.
4-5	• Groenten, vis, vlees, aardappelen stomen.	20-45	Voeg een kleine hoeveelheid water toe.
	• Grotere hoeveelheden voedsel en stoofschotels koken.	60-150	Voeg een kleine hoeveelheid water toe.
5-6	• Zachtjes bakken: kalfsvlees cordon bleu, koteletten, rissoles, worsten, roux, eieren.	Waar nodig	Keer halverwege om.
7-8	• Stampot, steaks.	5-15	Keer halverwege om.
9	• Water koken, pasta koken, vlees dichtschroeien (goulash, stoofpot), friet frituren.		

Instructies voor het kookgerei

Welke pannen kunt u gebruiken

Gebruik alleen potten en pannen met bodems gemaakt van ferromagnetisch materiaal die geschikt zijn voor gebruik met inductiekookplaten:

- Gietijzer
- Geëmailleerd staal
- Koolstofstaal
- Roestvrij staal (hoewel niet allemaal)
- Aluminium met ferromagnetische coating of ferromagnetische plaat

Controleer het  symbool (staat meestal op de bodem) om te bepalen of een pot of pan geschikt is. U kunt ook een magneet tegen de bodem houden. Als de magneet aan de bodem van de pan kleeft is de pan geschikt voor een inductiekookplaat.

Gebruik voor optimale efficiëntie altijd potten en pannen met een vlakke bodem die de warmte gelijkmatig verdelen. Als de bodem ongelijk is, dan heeft dit invloed op het vermogen en warmtegeleiding.

Hoe te gebruiken

Minimumdiameter van de pan/panbodem voor de verschillende kookzones

Om te waarborgen dat de kookplaat goed functioneert, moet de pan één of meer van de referentiepunten op het oppervlak van de kookplaat afdekken en een geschikte minimumdiameter hebben.

Gebruik altijd de kookzone die het beste overeenkomt met de diameter van de bodem van de pan.

Kookzone	Aanbevolen diameter van de pannen [mm]
Middenachterste kookzone	120-180

Lege potten/pannen of potten/pannen met dunne bodem

Gebruik geen lege of dunne potten/pannen op de kookplaat, omdat het niet mogelijk is de temperatuur daarvan te controleren en deze ook niet automatisch kunnen worden uitgeschakeld als de temperatuur te hoog is, waardoor de pan of het oppervlak van de kookplaat wordt beschadigd. Raak in dat geval niets aan en wacht tot alle onderdelen zijn afgekoeld.

Raadpleeg "Probleemoplossing" als er een foutmelding verschijnt.

Hinten/tips

Geluiden tijdens het koken

Wanneer een kookzone aan staat, dan kan deze even kort een bromtoon geven. Dit is een kenmerk van alle kookzones van keramisch glas en heeft geen nadelige invloed op de werking of de levensduur van het apparaat. Het geluid hangt af van de gebruikte pannen. Als er veel geluid wordt veroorzaakt, dan kan het helpen om de pannen te vervangen.

Normale gebruiksgeluiden van de inductiekookplaat

Inductietechnologie is gebaseerd op het creëren van elektromagnetische velden om warmte direct op de bodem van het kookgerei te genereren. Potten en pannen kunnen verschillende geluiden of trillingen veroorzaken, afhankelijk van hoe ze gemaakt zijn. Deze geluiden worden als volgt omschreven:

Laag zoemend geluid (als van een transformator)

Dit geluid wordt geproduceerd bij koken op een hoge warmtestand. Het is gebaseerd op de hoeveelheid energie die wordt overgedragen van de kookplaat naar het kookgerei.

Het geluid houdt op of wordt stiller wanneer het warmteniveau wordt verlaagd.

Zacht fluiten

Dit geluid wordt geproduceerd wanneer de kookpan leeg is. Het houdt op zodra er vloeistof of voedsel in de pan wordt gedaan.

Kraken

Dit geluid treedt op bij kookgerei dat gemaakt is van verschillende materialen die op elkaar liggen. Het wordt veroorzaakt door de trillingen van de oppervlakken waar de verschillende materialen elkaar raken. Het geluid ontstaat op het kookgerei en kan variëren afhankelijk van de hoeveelheid voedsel of vloeistof en de kookmethode (bijv. koken, sudderen, frituren).

Hard fluiten

Dit geluid treedt op bij kookgerei dat gemaakt is van verschillende materialen die op elkaar zijn gelaagd en wanneer ze bovendien op maximaal vermogen en op twee kookzones worden gebruikt. Het geluid houdt op of wordt stiller wanneer het warmteniveau wordt verlaagd.

Deze geluiden zijn normale ventilatorgeluiden

Voor een goede werking van het elektronische systeem moet de temperatuur van de kookplaat worden geregeld. Hiervoor is de kookplaat uitgerust met een koelventilator, die wordt geactiveerd om de temperatuur van het elektronische systeem te verlagen en te regelen. De ventilator kan ook blijven draaien nadat het apparaat is uitgeschakeld als de gedetecteerde temperatuur van de kookplaat na het uitschakelen nog steeds te hoog is.

Ritmische geluiden, vergelijkbaar met het tikkende geluid van een klok

Dit geluid treedt alleen op wanneer er minstens drie kookzones in werking zijn en verdwijnt of verzwakt wanneer sommige zones worden uitgeschakeld. De beschreven geluiden zijn een normaal onderdeel van de inductietechnologie en moeten niet als defecten worden beschouwd.

Reiniging en onderhoud

⚠ WAARSCHUWING! Schakel het apparaat uit en laat het afkoelen voor u het loskoppelt.

⚠ WAARSCHUWING! Schakel het apparaat uit en laat het afkoelen voordat u het reinigt.

⚠ WAARSCHUWING! Reinig uit veiligheidsoverwegingen het apparaat niet met stoommachines of hogedrukreinigers.


⚠ WAARSCHUWING! Scherpe objecten en schuurmiddel beschadigen het apparaat. Reinig het apparaat en verwijder de resten met water en afwasmiddel na elk gebruik. Verwijder ook alle resten van de schoonmaakmiddelen!

ⓘ Krassen of donkere vlekken op het glaskeramik die niet kunnen worden verwijderd hebben geen invloed op de werking van het apparaat.

Hardnekkige resten verwijderen:

- Voedsel met suiker, plastic, resten van aluminiumfolie moet gelijk worden verwijderd, het beste middel om het glazen oppervlak te reinigen is een schraper (niet inbegrepen bij het apparaat). Plaats de schraper op het oppervlak van glaskeramik in een hoek en verwijder de resten door het blad over het oppervlak te laten glijden. Veeg het apparaat schoon met een vochtige doek en een beetje schoonmaakmiddel. Wrijf ten slotte het apparaat schoon met een schone doek.
- Kalkringen, waterringen, vetspetters en glanzende metaalachtige verkleuringen moeten worden verwijderd nadat het apparaat is afgekoeld met reiniger voor glaskeramik of roestvrij staal.

Probleemoplossing

Probleem	Mogelijke oorzaak	Oplossing
Het apparaat werkt niet.	Kortsluiting of een stroomstoring in de voedingsbron van uw huis.	
	De stroomaansluiting van het stopcontact is niet goed uitgevoerd.	Controleer of er een goede stroomaansluiting is met de kookplaat.
	Het is meer dan 10 seconden geleden sinds u het apparaat hebt ingeschakeld.	Schakel het apparaat opnieuw in.
	Het kinderslot is ingeschakeld.	Deactiveer het kinderslot. (Raadpleeg het hoofdstuk "Kinderbeveiliging").
	Verscheidene sensorvelden zijn tegelijkertijd aangeraakt.	Raak slechts een sensorveld aan.
Het apparaat doet het niet meer. Foutindicatie:  → 	De pannen niet geschikt voor inductie.	Gebruik kookgerei dat geschikt is voor inductie.
	Geen pannen op de kookzone of pannen met een diameter kleiner dan 120mm.	Plaats kookgerei op de kookzone.
Het apparaat doet het niet meer. Foutindicatie:  → 	Het kookgerei is leeg (droogkoken) of de kooktemperatuur is te hoog.	Schakel het apparaat uit en zet het na 5 minuten opnieuw aan. Neem contact op met de dichtstbijzijnde IKEA-winkel als E2 aanhoudt.
	De luchttoevoer en -uitvoer wordt geblokkeerd.	
	De omgevingstemperatuur is te hoog.	
Het apparaat doet het niet meer. Foutindicatie:  → 	De netvoedingspanning is hoger dan AC 275 V.	Gebruik een product dat geschikt is voor de stroomvoorziening.
Het apparaat doet het niet meer. Foutindicatie:  → 	De hoofdvoeding is lager dan AC 100 V.	Gebruik een product dat geschikt is voor de stroomvoorziening.

Het apparaat doet het niet meer. Foutindicatie: E → 5	De temperatuursensor van het apparaat werkt niet.	Neem contact op met de dichtstbijzijnde IKEA winkel.
Het apparaat doet het niet meer. Foutindicatie: E → 6		
Het apparaat doet het niet meer. Foutindicatie: E → 0	Interne uitzondering	Schakel het apparaat uit en zet het na 5 minuten opnieuw aan. Neem contact op met de dichtstbijzijnde IKEA-winkel als EO aanhoudt.

Er wordt een foutcode weergegeven wanneer de kookplaat is ingeschakeld en er een fout wordt gedetecteerd, er wordt met tussenpozen (1 seconde) en circulerend E met een cijfer weergegeven.

Als er een storing is, probeer deze dan op te lossen door de probleemoplossingsinstructies op te volgen. Als het probleem niet kan worden opgelost, neem dan contact op met de dichtstbijzijnde IKEA-winkel.

ⓘ Als u het apparaat verkeerd hebt gebruikt, is het mogelijk dat de reparatie niet gratis is, zelfs niet tijdens de garantieperiode.

Technische gegevens

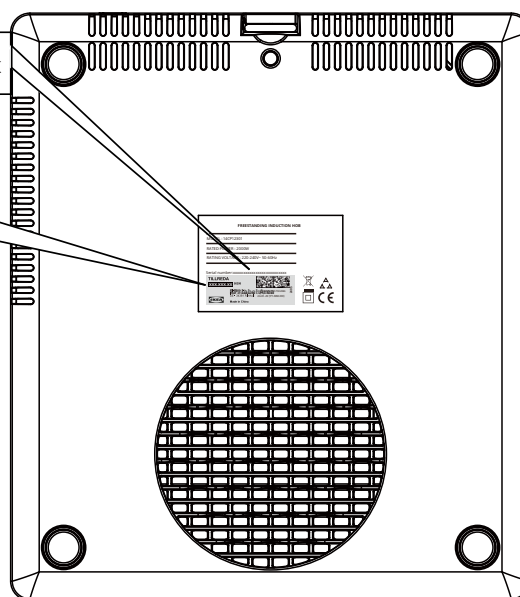
Model	14CP12301
Type kookplaat	Vrijstaande inductiekookplaat
Aantal kookzones en/of gebieden	1
Nominaal vermogen	2000 W
Nominale spanning	220-240 V~
Nominale frequentie	50-60 Hz
Diepte	305 mm
Breedte	270 mm
Hoogte	62 mm
Netto gewicht	2,33 kg

Serienummer (start met SN, 22-cijferige code)

Serienummer: xxxxxxxxxxxxxxxxxxxxxxxx

Artikelnummer (8-cijferige code)

XXX.XXX.XX




Afbeelding uitsluitend ter referentie

Energie-efficiëntie

Modelidentificatie	14CP12301
Type kookplaat	Draagbaar apparaat
Aantal kookzones	1
Verwarmingstechnologie	Inductie
Diameter van ronde kookzones (Ø)	170 mm
Energieverbruik per kookzone (EV elektrisch koken)	184 Wh/kg
Energieverbruik van de kookplaat (EV elektrische kookplaat)	184 Wh/kg
Productinformatie voor energieverbruik en de tijdsduur om de van toepassing zijnde spaarstand te bereiken	uitmodus: 0,5 W
De maximale tijdsduur die nodig is om de spaarstand te bereiken	5 seconden
Richtlijn 2009/125/EG, COMMISSIEVERORDENING (EU) No 66/2014, EN 60350-2:2018+A1:2021.	

Milieu


Verwijdering van huishoudelijke apparaten

Het symbool  op het product of op de verpakking wijst erop dat dit product niet als huishoudafval mag worden behandeld. In plaats daarvan moet het worden afgegeven bij een verzamelpunt waar elektrische en elektronische apparatuur wordt gerecycled. Als u ervoor zorgt dat dit product op de juiste manier wordt verwijderd, voorkomt u mogelijke negatieve gevolgen voor mens en milieu die zich zouden kunnen voordoen in geval van verkeerde afvalverwerking. Voor gedetailleerdere informatie over het recyclen van dit product, kunt u contact opnemen met de gemeente, de gemeentereiniging of de winkel waar u het product hebt gekocht.

⚠ WAARSCHUWING! Voer de volgende stappen uit om het apparaat af te voeren:

- Trek de stekker uit het stopcontact.
- Snijd het netsnoer door en gooi het weg.

Weggoien van verpakkingsmateriaal

De materialen met het symbool  zijn recycleerbaar. Gooi de verpakking in een geschikte verzamelcontainer om deze te recyclen.

Energiebesparing

- Plaats, indien mogelijk, altijd de deksels op de pannen.
- Plaats het kookgerei op de kookzone voor u deze inschakelt.
- De onderkant van het kookgerei moet zo dik en plat mogelijk zijn.

Garantie van IKEA

Hoe lang is de garantie van IKEA geldig?

Deze garantie is geldig voor 2 jaar vanaf de oorspronkelijke aankoopdatum van uw apparaat bij IKEA, tenzij anders vastgesteld in nationale wetgeving. Bezoek IKEA.com om te zien wat er in uw land van toepassing is.

Uw originele aankoopbewijs is vereist. De garantieperiode van het apparaat wordt, na onder de garantie vallend onderhoud, niet verlengd.

Wie voert de reparaties uit?

Neem contact op met de dichtstbijzijnde IKEA winkel.

Wat dekt deze garantie?

De garantie dekt defecten aan het apparaat, die zijn veroorzaakt door defecte constructie- of materiaalfouten vanaf de datum van de aankoop bij IKEA.

Deze garantie is alleen van toepassing op huishoudelijk gebruik.

De uitzonderingen staan vermeld onder de kop "Wat wordt niet gedekt door deze garantie?" Binnen de garantieperiode worden de kosten voor het verhelpen van de storing, bijv. reparaties, onderdelen, arbeid en reizen, gedekt, op voorwaarde dat het apparaat zonder speciale kosten kan worden gerepareerd. Vervangen onderdelen worden eigendom van IKEA.

Wat doet IKEA om het probleem op te lossen?

IKEA zal het product onderzoeken en naar eigen goeddunken beslissen of het onder deze garantie valt. Als dit gedekt wordt, zal IKEA uitsluitend ter eigen beoordeling het defecte product repareren of het vervangen door eenzelfde of een vergelijkbaar product.

Wat wordt niet gedekt door deze garantie?

- Normale slijtage.
- Opzettelijke schade of schade door verwaarlozing, schade veroorzaakt door het niet opvolgen van de gebruiksaanwijzing, foutieve installatie of aansluiting op een verkeerd voltage, schade veroorzaakt door chemische of elektrochemische reactie, roest, corrosie of waterschade, schade veroorzaakt door overmatig kalkgehalte van de watertoevoer, schade veroorzaakt door abnormale omgevingsomstandigheden.
- Verbruiksonderdelen, inclusief batterijen en lampjes.

- Niet-functionele en decoratieve onderdelen die niet van invloed zijn op het normale gebruik van het apparaat, inclusief eventuele krassen en mogelijke kleurverschillen.
- Onvoorziene schade veroorzaakt door vreemde voorwerpen of stoffen en het reinigen of deblokkeren van filters, afvoersystemen of wasmiddellades.
- Schade aan de volgende onderdelen: glaskeramik, accessoires, servieskorven en bestekmandjes, aanvoer- en afvoerpijpen, afdichtingen, lampen en lampenkapjes, schermen, knoppen, behuizingen en gedeeltes van behuizingen. Tenzij bewezen is dat de schade te wijten is aan een productiefout.
- Reparaties die niet zijn uitgevoerd door onze aangewezen servicepartners en/of een erkende contractuele servicepartner of wanneer er niet-originele onderdelen zijn gebruikt.
- Reparaties die zijn veroorzaakt door installatie die verkeerd of niet in overeenstemming met de installatie-instructies is uitgevoerd.
- Gebruik van het apparaat in een niet-huishoudelijke omgeving d.w.z. professioneel gebruik.
- Transportschade. Indien een klant het product zelf naar zijn of haar woning of naar een ander adres transporteert, is IKEA niet aansprakelijk voor schade die optreedt tijdens het transport. Als het product echter door IKEA wordt afgeleverd op het door de klant opgegeven adres, dan wordt schade aan het product die tijdens deze levering ontstaat wel gedekt door IKEA.
- De installatiekosten voor het installeren van het IKEA-apparaat. Als echter een door IKEA aangewezen serviceprovider of een door haar geautoriseerde servicepartner het apparaat repareert of vervangt onder de voorwaarden van deze garantie, dan zal de aangewezen serviceprovider of haar geautoriseerde servicepartner het gerepareerde apparaat zonodig opnieuw installeren of het vervangende apparaat installeren.

Toepasselijkheid van landelijke wetgeving

De IKEA garantie geeft u specifieke wettelijke rechten, die alle lokale wettelijke eisen dekken of overtreffen. Deze voorwaarden beperken op geen enkele wijze de consumentenrechten die onder de plaatselijke wetgeving vallen.

Gebied van geldigheid

Voor apparaten die in het ene EU-land worden aangeschaft en naar een ander EU-land worden overgebracht, worden de services geleverd in het kader van de garantievoorwaarden die in het nieuwe land gangbaar zijn. Een verplichting tot het verrichten van diensten in het kader van de garantie bestaat alleen als het apparaat voldoet aan en is geïnstalleerd in overeenstemming met:

- de technische specificaties van het land waar de garantieclaim wordt ingediend;
- de montage-instructies en de veiligheidsinformatie uit de gebruiksaanwijzing.

KLANTENDIENST voor apparaten van IKEA

Aarzel niet om contact op te nemen met IKEA om:

- een serviceaanvraag indienen onder deze garantie;
- verduidelijking te vragen in verband met de functies van de IKEA apparaten.

Om u beter van dienst te kunnen zijn, verzoeken wij u om eerst de installatie-instructies en de gebruiksaanwijzing zorgvuldig door te lezen alvorens ons te contacteren.

Hoe u ons kunt bereiken als u hulp nodig hebt



De klantenservice van IKEA zal u telefonisch helpen met het oplossen van algemene problemen voor uw apparaat tijdens het telefoongesprek. Kijk in de catalogus van IKEA of ga naar www.ikea.com voor het telefoonnummer en de openingstijden van de dichtstbijzijnde winkel.

Om u sneller van dienst te kunnen zijn, altijd het IKEA-artikelnummer te vermelden (8-cijferige code) dat op het typeplaatje van uw apparaat staat.

BEWAAR HET AANKOOPBEWIJS!

Dit is uw aankoopbewijs en is vereist om de garantie van toepassing te laten zijn. Op de kassabon is ook de IKEA naam en het artikelnummer (8 cijfers) van elk door u aangeschaft apparaat vermeld.

Hebt u extra hulp nodig?

Voor alle bijkomende vragen die geen betrekking hebben op nazorg voor uw toestellen, neemt u contact op met het callcenter van uw IKEA winkel. Wij adviseren u de documentatie die bij het apparaat wordt geleverd zorgvuldig door te lezen voordat u contact met ons opneemt.

Indhold

Oplysninger om sikkerhed	59	Rengøring og vedligeholdelse	67
Sikkerhedsvejledning	60	Fejlfinding	67
Beskrivelse af produktet	62	Tekniske data.....	68
Indikatorer	63	Energieffektivitet.....	69
Daglig brug.....	64	Miljøhensyn	69
Tilberednings oversigt.....	65	IKEA garanti	70
Vejledning til kogegrej	65		

Oplysninger om sikkerhed

- ⓘ Af hensyn til din sikkerhed og for at kunne betjene apparatet korrekt bør du læse denne vejledning grundigt, inden du installerer apparatet og tager det i brug. Lad altid vejledningen følge med apparatet, hvis du flytter eller sælger det. Brugere bør sætte sig ind i alle aspekter af apparatets betjening og sikkerhedsfunktioner.

Korrekt brug

- Lad ikke apparatet være uovervåget under brug.
- Apparatet er udelukkende designet til brug i hjemmet.
- Apparatet er udelukkende designet til indendørs brug.
- Apparatet må ikke anvendes som arbejdsbord eller til opbevaring.
- Placér eller opbevar ikke brandbare væsker, stærkt brandbare materialer eller genstande, der kan smelte fast (f.eks. plastfolie, plast, aluminium) på eller nær apparatet.
- Vær opmærksom, når du forbinder et elektrisk apparat til en stikkontakt i nærheden. Lad ikke ledninger komme i kontakt med eller i klemme under apparatet eller varmt kogegrej.
- Forsøg ikke selv at reparere apparatet, da du derved kan skade dig selv eller apparatet. Kontakt altid dit nærmeste IKEA-varehus.

Sikkerhed for børn og udsatte personer

- Dette apparat kan anvendes af børn fra 8 år og opefter og af personer med nedsatte fysiske, sensoriske eller psykiske evner, eller som mangler den nødvendige erfaring og viden, hvis de er under

- opsyn eller har modtaget undervisning i, hvordan apparatet kan bruges på sikker måde, og hvis de har forstået de medfølgende farer.
- Hold alle indpakningsmaterialer uden for børns rækkevidde. De kan udgøre en kvælningsfare.
 - Hold børn på afstand af apparatet både, når det er i brug, og når det ikke er.
 - Børn under 8 år bør holdes på afstand af apparatet, medmindre de er under konstant opsyn.
 - Lad ikke børn lege med apparatet. Rengøring og vedligeholdelse må ikke udføres af børn uden opsyn.

⚠ ADVARSEL! Aktivér børnelåsen for at forhindre, at småbørn og kæledyr tænder apparatet ved et uheld.

Generelt om sikkerhed

- Sørg for, at ingen ventilationsåbninger på apparatet eller på indbygningskabinetet, blokeres.
- Undgå skader ved ikke at berøre panelet, mens restvarmeindikatoren stadig lyser.
- Undgå elektrisk stød ved aldrig at stikke genstande ind i induktionskogepladen, mens den er tændt.
- Ledningen må ikke vikles om halsen, da dette kan udgøre en kvælningsrisiko.
- Apparatet må ikke rengøres med damprenser.
- Metalgenstande såsom knive, gafler, skeer og grydelåg må ikke placeres på kogepladen, da de kan blive meget varme.
- Sluk kogezonerne på kontrolpanelet efter brug i stedet for at stole på grydedektoren.

- Dette apparat er ikke beregnet til brug med en ekstern timer eller et separat fjernbetjeningsystem.
- Pas på ikke at berøre varmeelementerne.
- Hvis ledningen er beskadiget, bør den for at undgå fare udskiftes af producenten, det autoriserede servicecenter eller en person med tilsvarende kvalifikationer. Kontakt nærmeste IKEA-butik.
- Apparatet er beregnet til husholdningsbrug eller lignende anvendelser, eksempelvis:
 - personalekøkkener i butikker, kontorer og andre arbejdsmiljøer;
 - overnatningshuse;
 - af kunder på hoteller, moteller og andre boligmiljøer;
 - kroer og lignende miljøer.

⚠️ FORSIGTIG! Varm overflade.
Overfladerne bliver meget varme under brug.

⚠️ ADVARSEL! Hvis overfladen er revnet, bør du slukke apparatet for at undgå risiko for elektrisk stød. Kontakt nærmeste IKEA-butik.

⚠️ ADVARSEL! Apparatet og dets tilgængelige dele bliver varme under brug.

⚠️ ADVARSEL! Madlavning med fedt eller olie skal altid ske under opsyn, da det ellers kan være farligt og medføre brand. Forsøg ALDRIG at slukke en brand med vand, men sluk apparatet og dæk derefter flammerne til f.eks. med et låg eller et brandtæppe.

Sikkerhedsvejledning

Installation

- Producenten påtager sig intet ansvar for evt. skade på personer og kæledyr eller ejendele, der skyldes manglende overholdelse af følgende krav.
- ⚠️ **FORSIGTIG!** For yderligere oplysninger om installation se afsnittet Sikkerhedsoplysninger.
- ⚠️ **ADVARSEL!** Installationen skal følge de love, bestemmelser, retningslinjer og standarder (elektriske sikkerhedsregler og bestemmelser, korrekt genbrug i overensstemmelse med reglerne osv.), der er gældende i det land, hvor apparatet anvendes!
- Undlad at installere apparatet direkte ved siden af døre eller under vinduer, da varmt kogegrej kan blive slået af kogepladen, når døre og vinduer åbnes.
- Kontrollér, at apparatet ikke er blevet beskadiget under transporten. Tilslut ikke et beskadiget apparat.
- Undlad at sætte apparatet op, hvis det er blevet beskadiget under transporten.

- Tilslut ikke kogepladen via en forlængerledning og undlad at placere kogepladen således, at ledningen føres over arbejdsfladen.
- Undlad at ændre specifikationerne eller modificere dette produkt. Risiko for personskade og skade på apparatet.

⚠️ **ADVARSEL!** Overhold omhyggeligt vejledningen for elektriske tilslutninger.

Elektriske tilslutninger

- Inden tilslutning bør du kontrollere, at apparatets nominelle spænding, som er angivet på mærkepladen, modsvarer forsyningsspændingen. Kontrollér også apparatets nominelle effekt, og at husets el-installation har en kapacitet, der passer til apparatets nominelle effekt (se kapitlet med tekniske data).
- Mærkepladen sidder nederst på kogepladens hus.
- ⚠️ **ADVARSEL!** Elektrisk strøm kan medføre personskade.
- Løse eller forkert monterede stik og kontakter kan medføre, at terminalen overophedes.

Inden ibrugtagning:

Vær opmærksom på følgende anvisninger inden ibrugtagning.

- Forbind apparatet til en standard stikkontakt og kontrollér regelmæssigt kontakten, så du undgår skader.
- Du eller en ukvalificeret person må ikke åbne apparatet. Reparation af apparatet må kun udføres af serviceagenten eller en lignende kvalificeret tekniker.
- Kontrollér løbende ledning og stik. Brug ikke apparatet, hvis ledningen eller stikket er beskadiget. Tag ikke stikket ud, mens du har våde hænder.
- Brug ikke en forlængerledning men forbind udelukkende apparatet direkte til en stikkontakt.
- Tænd først apparatet i 10 minutter for at stabilisere de elektriske komponenter, hvis apparatet ikke har været brugt i en længere periode. Derefter kan du begynde at bruge apparatet.
- Brug ikke apparatet i nærheden af vand, åben ild eller fugtige områder. Apparatet er KUN beregnet til indendørs husholdningsbrug.
- Fjern al emballage, mærkater og film fra apparatet før ibrugtagning.
- Sluk kogezoneerne på kontrolpanelet efter hver brug i stedet for at stole på grydedektoren.
- Risiko for forbrænding! Placér ikke genstande af metal som f.eks. knive, gafler, skeer eller grydelåg på varmepladen, da de kan blive meget varme.

⚠ ADVARSEL! Brandfare! Overophedet fedt og olie kan antændes meget hurtigt.

⚠ ADVARSEL! Brugere med pacemaker bør holde overkroppen på en afstand af mindst 30 cm fra tændte induktionskogezoneer.

⚠ ADVARSEL! Betjen ikke apparatet med våde hænder, og hold kontrolpanelets overflade tør. Hvis der ligger meget vand på kontrolpanelets knapper, vil de ikke længere fungere korrekt.

⚠ ADVARSEL! Hvis overfladen er revnet, bør du slukke apparatet for at undgå risiko for elektrisk stød.

Under og efter brug:

Vær opmærksom på følgende vejledning, så du undgår antænding og ulykker.

- Placér KUN apparatet på en flad og stabil overflade.
- Børn bør overvåges for at sikre, at de ikke leger med apparatet.
- Følgende genstande må ikke placeres på panelet, når apparatet er i drift.
 - a) Rustfrit stål
 - b) Jern
 - c) Støbejern
 - d) Aluminium
 - e) Låg og emalje
 - f) Kniv, gaffel eller ske
 - g) Fade fremstillet i jern, rustfrit stål, støbejern eller aluminium
 - h) Tomt kogegrej
- Undlad at bære eller flytte enheden med kogegrej stående på den under opvarmning.
- Sørg for god ventilation omkring kogepladen, mens den er varm.
- Stik ikke ledninger eller metalgenstande ind i luftindtaget eller luftudtaget på apparatet.
- Sådan vedligeholdes panelet.
 - a) Tab ikke tunge genstande ned på panelet.
 - b) Hæld ikke vand, syre eller anden væske på panelet.
 - c) Lad ikke åben ild komme i kontakt med panelet.
 - d) Placér ikke varmt kogegrej på apparatet, når det ikke er i brug.
 - e) Sluk straks apparatet for at undgå elektrisk stød, hvis overfladen (panelet) er revnet, og returnér apparatet til det nærmeste IKEA-varehus.
 - f) Visse typer kogegrej kan generere støj under brug. Sker det, kan du flytte kogegrejet en anelse, hvilket kan fjerne eller reducere støjen. I modsat fald må du anvende andet kogegrej.

- Placér ikke apparatet på et tæppe, en dug eller materialer af papir, når det er i brug.
 - Berør ikke panelet, mens det er varmt. Panelet er stadig varmt, indtil restvarmeindikatoren slukker, selv når der er slukket for strømmen.
 - Træk ikke i ledningen, når du trækker stikket ud af stikkontakten.
 - Sluk apparatet, og lad det afkøle, før du trækker stikket ud af stikkontakten. Træk ledningen ud af stikkontakten, når apparatet ikke skal bruges i en længere periode.
 - Hold kogegrejet væk fra apparatet efter brug.
 - Den glaskeramiske flade kan også beskadiges ved at blive tabt på gulvet.
 - Undgå at beskadige kogegrej og den glaskeramiske flade ved ikke at lade gryder eller pander koge tør.
 - Benyt ikke kogezonerne med tomt kogegrej eller uden kogegrej.
 - Ingen del af apparatet må tildækkes med sølvpapir. Placér aldrig plastik eller andre smeltbare materialer i eller på apparatet.
- ⚠ **ADVARSEL!** Lad apparatet være tilsluttet lysnettet efter brug, indtil blæseren og varmeindikatoren er slukket.

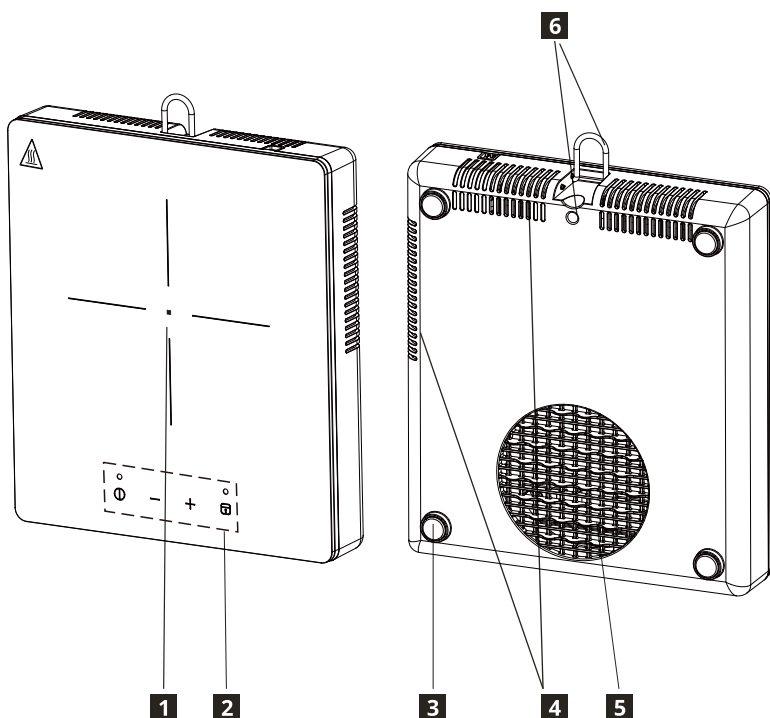
Sådan undgår du at beskadige apparatet

- Den glaskeramiske flade kan beskadiges ved, at genstande falder ned på den, eller at kogegrej bankes imod den.
- Kogegrej af støbejern, støbt aluminium, eller som har skader i bunden, kan ridse den glaskeramiske flade, hvis de trækkes hen over den.

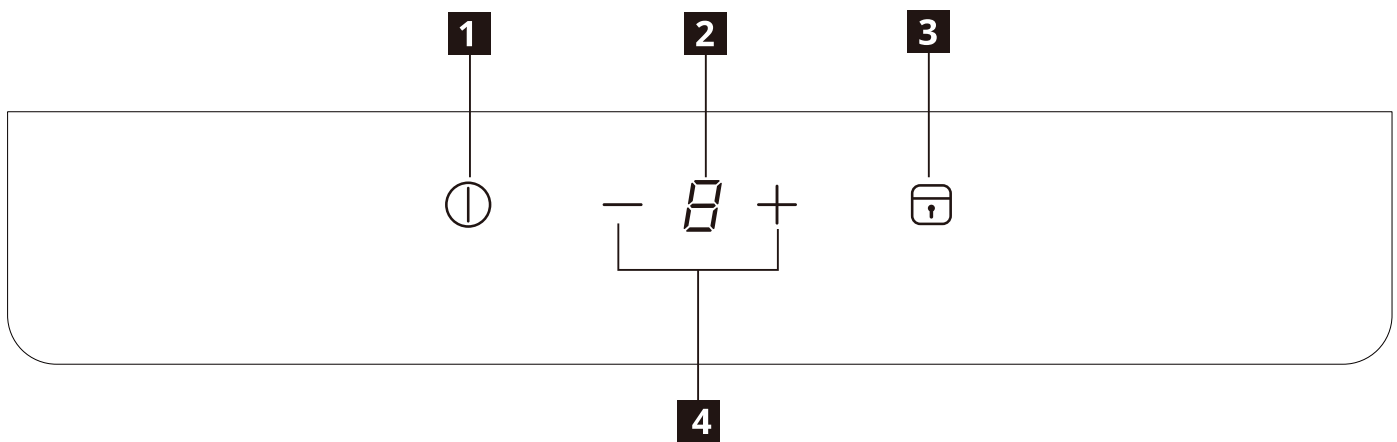
Information om akrylamid

Vigtigt! Ifølge den seneste forskning kan intensiv brunning af madvarer, især madvarer, der indeholder stivelse, udgøre en sundhedsrisiko pga. akrylamid. Vi anbefaler derfor, at du tilbereder ved lavest mulige temperatur og ikke bruner madvarerne for meget.

Beskrivelse af produktet



- 1 Varmeområde på kogezone på 170 mm, 2000 W
- 2 Kontrolpanel
- 3 Silikonefødder
- 4 Luftudtag
- 5 Luftindtag
- 6 Krog til ophængning



Øversigt over kontrolpanel

- 1** Tænd/sluk
- 2** Visning af effekttrin
- 3** Lås/børnelås
- 4** Valg af effekttrin -/+

Sensorfelter til berøringsbetjening og display

Du betjener kogepladen ved at berøre sensorfelterne. Display og lydsignaler (korte bip) bekræfter valg af funktion.

Effekttrin	1	2	3	4	5	6	7	8	9
Effekt	150 W	250 W	300 W	450 W	600 W	800 W	1.100 W	1.500 W	2.000 W

Indikatorer

U Gryde ikke placeret korrekt eller ingen gryde

Symbolet vises, hvis gryden ikke er egnet til madlavning med induktion, ikke er placeret korrekt eller ikke har en størrelse, der passer til den valgte kogezone. Kogezonen slukker, hvis der ikke registreres en gryde inden for 30 sekunder efter valget.

H Restvarme

Hvis displayet viser et "H", er kogezonen fortsat varm. Displayet slukker, når kogezonen er kølet af.

⚠ ADVARSEL! Risiko for forbrændinger fra restvarme! Efter at du slukker apparatet, har kogezonerne brug for tid til at køle af. Kig på restvarmeindikatoren **H**.

Brug restvarmen til smeltning eller til at holde maden varm.

Tag ikke stikket til apparatet ud af kontakten, før **H** er forsvundet fra displayet.

Daglig brug

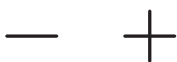


Tilslutning til lysnettet

1. Når du sætter stikket i stikkontakten, aktiveres børnesikringen. Tryk og hold låseknappen på børnesikringen nede i 3 sekunder for at deaktivere.

Tænd/Sluk

1. Tryk på TÆND-/SLUK-knappen, hvorefter displayet viser "0" som tegn på standby, og effektindikatoren lyser op. Kogepladen slukker automatisk uden tryk på TÆND-/SLUK-knappen, hvis der ikke vælges en varmeindstilling inden for 30 sekunder.
2. Tryk på TÆND-/SLUK-knappen under brug, og kogepladen slukker.



Valg af effekttrin

1. Tryk på — eller + for at vælge effekttrin under drift.
2. Tryk på — for at vælge effekttrin "9" direkte. Tryk på — for at reducere effekttrin "9" til effekttrin "1".
3. Tryk på + for at øge effekttrinnet fra "1". Tryk på + for at gå op i effekttrin fra "1" til "9".



Låsefunktion

Du kan låse kontrolpanelet for eksempelvis at rengøre kogepladen, når kogezone er i brug. På den måde undgår du at ændre valget af effekttrin ved et uheld. Du kan stadig slukke kogepladen ved at trykke på tænd/sluk-knappen.

Aktivér lås

1. Indstil det ønskede effekttrin.
2. Tryk på låsetasten i 3 sekunder. Funktionen er aktiveret, når indikatoren for låsetasten lyser, og der afgives en lyd.

Deaktivér lås

1. Tryk på låsetasten i 3 sekunder. Funktionen er deaktiveret, når indikatoren for låsetasten slukker, og der afgives en lyd.
2. Effekttrinnet vender tilbage til den sidste indstilling.

Børnelås

Du kan også holde kontrolpanelet låst, mens kogepladen ikke er i brug. På den måde forhindres utilsigtet betjening af apparatet.

Aktivér børnelåsen

1. Tænd apparatet ved at trykke på TÆND-/SLUK-knappen. Vælg ikke effekttrin.
2. Tryk på låsetasten i 3 sekunder. Funktionen er aktiveret, når indikatoren for låsetasten lyser, og der afgives en lyd.
3. Sluk apparatet ved at trykke på TÆND-/SLUK-knappen.

Deaktivér børnelåsen

1. Tryk på låsetasten i 3 sekunder. Funktionen er deaktiveret, når indikatoren for låsetasten slukker, og der afgives en lyd.

Automatisk slukning

Funktionen slukker automatisk kogepladen, hvis:

- Alle kogezone er slukkede.
- Du ikke vælger effekttrin inden for 30 sekunder efter tænding af kogepladen.
- Du ikke slukker en kogezone, eller du ikke ændrer effekttrin efter 2 timer, eller hvis der indtræffer overophedning (f.eks. når en gryde koger tør).

Tilberednings oversigt

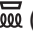
Varmeindstilling	Anvendelse:	Tid (min.)	Tip
1	• Hold tilberedt mad varm.	Efter behov	Læg låg på gryden.
1-2	• Hollandaisesauce, smeltning af smør, chokolade, husblas.	5-25	Rør rundt en gang imellem.
2-3	• Kogning af ris og mælkebaserede retter, opvarmning af færdiglavede retter.	25-50	Tilsæt mindst dobbelt så meget væske som ris, og rør rundt i mælkeretter midtvejs under tilberedningen.
4-5	• Dampning af grøntsager, fisk, kød, kartofler.	20-45	Tilsæt lidt vand.
	• Tilberedning af større portioner mad og gryderetter.	60-150	Tilsæt lidt vand.
5-6	• Lettere stegning: cordon bleu af kalv, koteletter, rissoller, pølser, roux, æg.	Efter behov	Vend ingredienserne på halvvejen.
7-8	• Hashbrown, steaks.	5-15	Vend ingredienserne på halvvejen.
9	• Kogning af vand, kogning af pasta, bruning af kød (gullasch, grydesteg), friturestegning af chips.		

Vejledning til kogegej

Grydetyper, der kan bruges

Brug kun gryder og pander, hvor bunden er fremstillet af et ferromagnetisk materiale, der er egnet til brug på induktionskogeplader:

- Støbejern
- Emaljeret stål
- Kulstofstål
- Rustfrit stål (dog ikke alle typer)
- Aluminium med en ferromagnetisk belægning eller en ferromagnetisk plade

Se efter symbolet  (normalt præget i bunden) for at finde ud af, om en gryde eller pande kan bruges. Du kan også holde en magnet mod bunden. Hvis den hænger fast i undersiden, kan kogegejret bruges på en induktionskogeplade.

Brug altid gryder og pander med flad bund, der fordeler varmen jævnt, for at opnå den største effektivitet. Det påvirker effekt og varmeledning, hvis bunden er ujævn.

Sådan bruges kogepladen

Minimumsdiameter på bunden af gryde/pande for forskellige kogeområder

Gryden skal dække et eller flere af referencepunkterne på overfladen af kogepladen og skal have en passende minimumsdiameter for at sikre, at kogepladen fungerer korrekt.

Brug altid den kogezone, der bedst passer til diameteren på bunden af panden.

Kogezone	Anbefalet diameter på kogegej [mm]
Midterste bageste kogezone	120-180

Tomme gryder/pander eller gryder/pander med tynd bund

Brug ikke tomme gryder/pander eller gryder/pander med tynd bund på kogepladen, da kogepladen ikke kan overvåge temperaturen eller slukke automatisk, hvis temperaturen er for høj. Det kan beskadige gryden/panden eller overfladen på kogepladen. Sker dette, må du ikke røre ved noget, men skal vente, indtil alle komponenter er kølede af.

Se afsnittet "Fejlfinding", hvis der vises en fejlbesked.

Råd/tips**Støj under brug**

Når en kogezone tændes, kan den brumme lidt. Det er et kendetegn for alle glaskeramiske kogezone og påvirker ikke apparatets funktion eller levetid. Støjen afhænger af det anvendte kogegeøj. Hvis støjen forstyrrer meget, kan det muligvis hjælpe at bruge et andet kogegeøj.

Normale lyde ved brugen af et induktionskomfur

Induktionsteknologien er baseret på dannelse af elektromagnetiske felter, der genererer varme direkte på bunden af kogegeøjet. Gryder og pander kan muligvis forårsage støj af forskellig art eller vibrationer afhængigt af deres fremstillingsmetode. Støjen beskrives som følger:

Lav brummen (som en transformer)

Støjen forekommer ved madlavning på et meget højt effektrin og skyldes energimængden, der overføres fra kogepladen til kogegeøjet.

Støjen forsvinder eller bliver svagere, når varmetrinnet reduceres.

Stille fløjten

Støjen forekommer, når kogegeøjet er tomt. Støjen forsvinder, når der hældes væske eller lægges mad i kogegeøjet.

Knitren

Støjen forekommer med kogegeøj, der er fremstillet af forskellige materialer lagt i lag.

Den forårsages af vibrationer i overfladerne, hvor forskellige materialer mødes. Støjen forekommer i kogegeøjet og kan variere afhængigt af mængden af mad eller væske og tilberedningsmetode (f.eks. kogning, simren, stegning).

Høj fløjten

Støjen forekommer med kogegeøj, der er fremstillet af forskellige lag af materialer, når de bruges med maksimal effekt samt på to kogezone. Støjen forsvinder eller bliver svagere, når varmetrinnet reduceres.

Disse lyde er normale ventilatorlyde

Af hensyn til korrekt drift af det elektroniske system skal temperaturen i kogepladen reguleres. Kogepladen er derfor udstyret med en køleventilator, som aktiveres for at reducere og regulere temperaturen i det elektroniske system. Ventilatoren kan også fortsætte med at køre, når apparatet slås fra, hvis den registrerede temperatur i kogepladen fortsat er for varm, efter kogepladen er slukket.

Rytmske lyde som et tikkende ur

Støjen forekommer kun, når mindst tre kogezone er i brug og forsvinder eller dæmpes, når nogle af kogezoneerne slukkes.

De beskrevne lyde er et normalt element i induktionsteknologien og skal ikke betragtes som fejl.

Rengøring og vedligeholdelse

⚠ ADVARSEL! Sluk apparatet og lad det køle af, inden du kobler det fra lysnettet.

⚠ ADVARSEL! Sluk apparatet og lad det køle af, inden du rengør det.

⚠ ADVARSEL! Du bør af sikkerhedshensyn ikke rengøre apparatet med en damprenser eller højtryksrenser.

⚠ ADVARSEL! Skarpe genstande og rengøringsmidler med slibemiddel vil beskadige apparatet. Rengør apparatet og fjern evt. madrester med vand og opvaskemiddel efter hver brug. Fjern også resterne af rengøringsmidlerne!

i Ridser eller mørke pletter på den glaskeramiske overflade, der ikke kan fjernes, har ingen indflydelse på apparatets funktionsduelighed.

Sådan fjernes spildte og fastbrændte pletter:

- Sukkerholdige madvarer, plast- og sølvpapirrester skal fjernes omgående. Det bedste redskab til rengøring af glaspladen er en skraber (leveres ikke med apparatet). Placér en skraber i en vinkel mod den glaskeramiske overflade og fjern madrester ved at lade bladet glide hen over pladen. Tør apparatet med en fugtig klud med lidt opvaskemiddel. Tør til sidst apparatet med en ren, tør klud.
- Kalk- og vandaflejringer, fedtstænk og skinnende metal misfarvninger skal fjernes med et rengøringsmiddel til glaskeramiske kogeplader eller rustfrit stål efter, at kogepladen er kølet af.

Fejlfinding

Problem	Mulig årsag	Løsning
Apparatet virker ikke.	Manglende strømtilførsel eller en kortslutning i strømforsyningen i dit hjem.	
	Tilslutning til lysnettet er ikke udført korrekt.	Kontrollér, at strømforsyningen til kogepladen er korrekt tilsluttet.
	Der er gået mere end 10 sekunder siden, du tændte kogepladen.	Tænd apparatet igen.
	Børnelås er aktiveret.	Deaktiver børnelås. (Se afsnittet "Børnesikring").
	Du har rørt ved flere sensorfelter på samme tid.	Berør kun ét sensorfelt.
Apparatet holder op med at fungere. Fejlkode: U → u	Kogegrejet er ikke egnet til induktion.	Skift til kogegrej, der er egnet til induktion.
	Intet kogegrej er placeret på kogezone, eller diameteren på kogegrejet er mindre end 120 mm.	Placér kogegrej på kogezone.
Apparatet holder op med at fungere. Fejlkode: E → E	Gryden er tom (køgt tør), eller tilberedningstemperaturen er for høj.	Sluk apparatet, og genstart efter 5 minutter. Hvis E2 fortsat vises, skal du kontakte det nærmeste IKEA-varehus.
	Luftind- og udtag er blokerede.	
	Den omgivende temperatur er for høj.	
Apparatet holder op med at fungere. Fejlkode: E → E	Strømforsyningen er over 275 V vekselstrøm.	Skift til en strømforsyning, der er egnet til produktet.
Apparatet holder op med at fungere. Fejlkode: E → U	Strømforsyningen er under 100 V vekselstrøm.	Skift til en strømforsyning, der er egnet til produktet.

Apparatet holder op med at fungere. Fejlkode: (E) → (5)	Apparatets temperatursensor virker ikke.	Kontakt nærmeste IKEA-butik.
Apparatet holder op med at fungere. Fejlkode: (E) → (6)		
Apparatet holder op med at fungere. Fejlkode: (E) → (0)	Intern undtagelse	Sluk apparatet, og genstart efter 5 minutter. Hvis EO fortsat vises, skal du kontakte det nærmeste IKEA-varehus.

Fejlkodeerne vises, når kogepladen tændes, og der registreres en fejl. Bogstavet E og tal vises regelmæssigt (i 1 sekund) og gentages.

Hvis der er en fejl, kan du prøve at løse den ved at følge retningslinjerne for fejlfinding. Hvis problemet ikke kan løses, skal du kontakte dit nærmeste IKEA-varehus.

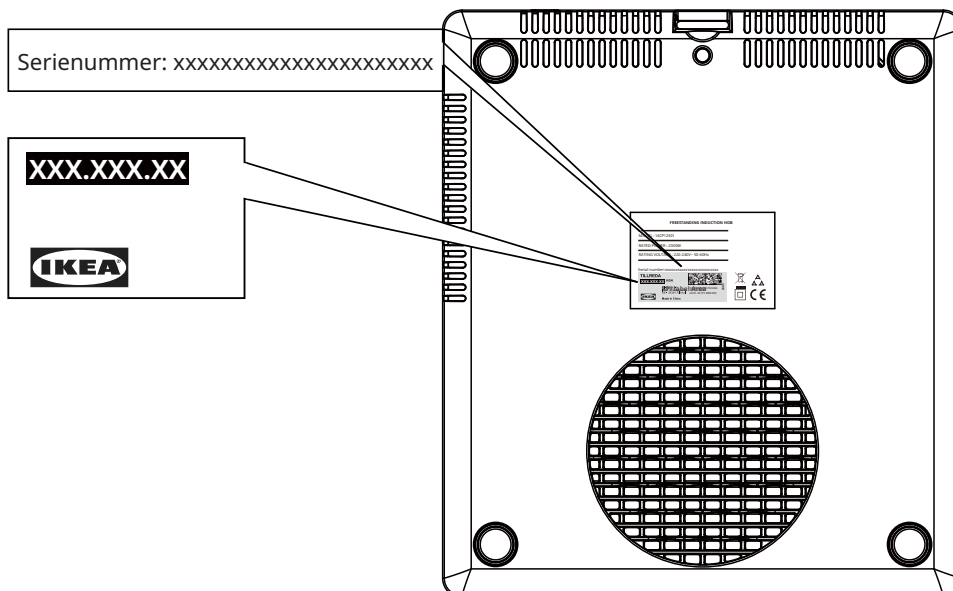
ⓘ Hvis du har fejlbetjent apparatet, vil problemet muligvis ikke blive løst uden omkostning af forhandleren under garantien, selvom garantiperioden endnu ikke er udløbet.

Tekniske data

Model	14CP12301
Kogepladetype	Fritstående induktionskogeplade
Antal kogezone og/eller -områder	1
Nominal effekt	2000 W
Nominal spænding	220-240 V~
Nominal frekvens	50-60 Hz
Dybde	305 mm
Bredde	270 mm
Højde	62 mm
Nettovægt	2,33 kg

Serienummer (starter med SN, kode på 22 cifre)

Varenummer (kode på 8 cifre)




Billede er kun til reference

Energieffektivitet

Modelidentifikation	14CP12301
Kogepladetype	Bærbart apparat
Antal kogezone	1
Varmeteknologi	Induktion
Diameter på runde kogezone (Ø)	170 mm
Energiforbrug pr. kogezone (energiforbrug ved madlavning med el)	184 Wh/kg
Kogepladens energiforbrug (energiforbrug for elektrisk kogeplade)	184 Wh/kg
Oplysninger om produktets strømforbrug og tid, inden den relevante strømsparetilstand nås	slukket tilstand: 0,5 W
Den maksimale nødvendige tid, der går, inden den relevante strømsparetilstand nås	5 sekunder
EU-direktiv 2009/125/EF, Kommissionens forordning (EU) nr. 66/2014, EN 60350-2:2018+A1:2021.	

Miljøhensyn


Bortskaffelse af husholdningsapparater

Symbolet  på produktet eller dets indpakning angiver, at produktet ikke må behandles som husholdningsaffald. I stedet skal det indleveres på et relevant indsamlingssted til genanvendelse af elektrisk og elektronisk udstyr. Hvis du sikrer, at dette produkt bliver bortskaffet korrekt, hjælper du med til at undgå negative konsekvenser for miljø og personers sundhed, som ellers kunne opstå på grund af forkert affaldshåndtering af dette produkt. Du kan få yderligere oplysninger om genanvendelse hos din kommune, dit lokale renovationselskab eller i butikken, hvor du købte produktet.

⚠ ADVARSEL! Gør følgende, når du vil bortskaffe apparatet:

- Træk stikket ud af stikkontakten.
- Klip ledningen af og smid den væk.

Bortskaffelse af emballagemateriale

Materialer med symbolet  kan genanvendes. Bortskaf indpakningsmaterialerne i en indsamlingscontainer til genbrug.

Spar på energien

- Læg om muligt altid låg på gryder og pander.
- Placér kogegrejet på kogezone inden, du tænder den.
- Kogegrejets bund skal være så tyk og plan som muligt.

IKEA garanti

Hvor længe gælder IKEA garantien?

Garantien gælder i 2 år fra den oprindelige dato for købet af dit apparat hos IKEA, medmindre andet er angivet i den nationale lovgivning. Gå til IKEA.com for at finde oplysninger om, hvad der gælder i dit land. Den originale kvittering er påkrævet som bevis for købet. Service af apparatet under garantien forlænger ikke garantiperioden for apparatet.

Hvem står for servicen?

Kontakt din nærmeste IKEA-butik.

Hvad er dækket under garantien?

Garantien dækker fejl på produktet, der skyldes materiale- eller produktionsfejl, fra datoen for købet hos IKEA.

Garantien gælder kun i forbindelse med husholdningsbrug.

Undtagelserne er specificeret under overskriften "Hvad er ikke dækket under garantien?" I garantiperioden dækkes udgifterne til at udbedre fejlen, f.eks. reparation, reservedele, arbejdsløn og kørsel, forudsat at apparatet er tilgængeligt for reparation uden særlige udgifter. Udskiftede dele tilfalder IKEA.

Hvad gør IKEA for at afhjælpe problemet?

IKEA undersøger produktet og beslutter efter eget skøn, om problemet er dækket under garantien. Hvis problemet er dækket, vælger IKEA derefter efter eget skøn enten at reparere det fejlbehæftede produkt eller at erstatte det med samme eller tilsvarende produkt.

Hvad er ikke dækket under garantien?

- Normalt slid.
- Forsætlig eller uagtsom skade, skade forårsaget af manglende overholdelse af brugervejledningen, ukorrekt installation eller tilslutning til forkert spænding, skade forårsaget af en kemisk eller elektrokemisk reaktion, rust, korrosion eller vandskade, herunder men ikke begrænset til skade grundet for meget kalk i vandforsyningen samt skade forårsaget af unormale miljøforhold.
- Forbrugsstoffer herunder batterier og pærer.

- Ikke-funktionelle og dekorative dele, der ikke har nogen indflydelse på normal brug af produktet, herunder eventuelle ridser og mulige farveforskelle.
- Tilfældige skader forårsaget af fremmedlegemer eller stoffer samt rengøring eller fjernelse af tilstopninger i filtre, udløbssystemer eller sæbeskuffer.
- Skade på følgende dele: glaskeramik, tilbehør, kurve til kogegrej og bestik, tilløbs- og udløbsrør, pakninger, lamper og lampedæksler, skærme, knapper, beklædninger og dele af beklædninger. Medmindre det kan bevises, at disse skader skyldes produktionsfejl.
- Reparationer, der ikke udføres af vores egen serviceleverandør og/eller en autoriseret servicepartner under kontrakt, eller hvor der er anvendt uoriginale reservedele.
- Reparationer på grund af fejlagtig installation, eller hvor specifikationerne ikke er overholdt.
- Brugen af produktet uden for almindelig husholdningsbrug, dvs. til professionel brug.
- Transportskader. Hvis en kunde selv transporterer produktet til sit hjem eller til en anden adresse, er IKEA ikke ansvarlig for nogen skade, der måtte opstå under transporten. Hvis IKEA derimod leverer produktet til kundens leveringsadresse, vil skader, der opstår under leveringen, blive dækket af IKEA.
- Udgifter ved første installation af IKEA-apparatet. Hvis en af IKEA udpeget serviceudbyder eller dennes autoriserede servicepartner reparerer eller udskifter apparatet i henhold til vilkårene i garantien, installerer serviceudbyderen eller dennes autoriserede servicepartner om nødvendigt det reparerede apparat eller udskiftningsapparatet på ny.

Gældende lokal lovgivning

IKEA's garanti giver dig bestemte juridiske rettigheder, der dækker eller går ud over lokale lovgivningsmæssige krav. Disse betingelser begrænser på ingen måde forbrugers rettigheder i medfør af gældende national lov.

Gyldighedsområde

Hvis et apparat er købt i et EU-land og bringes til et andet EU-land, ydes servicen inden for rammerne af, hvad der er de normale garantibetingelser i det nye land. Der eksisterer kun en forpligtelse til at udføre servicearbejde under garantien, hvis produktet overholder og er installeret i overensstemmelse med:

- De tekniske specifikationer i det land, hvor garantikravet fremsættes;
- Monteringsvejledningen og sikkerhedsoplysningerne i brugervejledningen.

EFTERSALG for IKEA-apparater

Tøv ikke med at kontakte IKEA, hvis:

- du vil anmode om service under garantien;
- få præcisering omkring funktionaliteten af IKEA-produktet.

For at sikre, at vi yder dig den bedste assistance, bedes du læse installationsvejledningen og/eller brugervejledningen omhyggeligt, inden du kontakter os.

Hvordan kontakter du os i tilfælde af servicebehov?



IKEAs eftersalgskundeservicecenter hjælper dig pr. telefon med fejlsøgning af almindelige problemer med dit apparat, når du henvender dig og anmoder om service. Kig i IKEA-kataloget eller gå ind på www.ikea.com, hvor du kan finde oplysninger om åbningstider og telefonnummer på din lokale butik.

For at vi kan give dig en hurtigere service, bedes du altid oplyse det IKEA-varenummer (en 8-cifret kode), der findes på mærkepladen på dit apparat.

GEM KØBSKVITTERINGEN!

Den er dit bevis for købet og er nødvendig for garantiens gyldighed. Købskvitteringen indeholder ligeledes IKEA-navnet og varenummeret (kode på 8 cifre) på alle købte apparater.

Har du brug for ekstra hjælp?

For øvrige spørgsmål, der ikke vedrører service og/eller garanti på dit produkt, henviser vi til IKEA butikkens kundeservice. Vi anbefaler, at du læser dokumentationen til produktet omhyggeligt igennem, inden du kontakter os.

Efnisyfirlit

Öryggisupplýsingar	72	Umhirða og þrif.....	80
Öryggisleiðbeiningar.....	73	Bilanaleit	80
Vörulýsing	75	Tæknileg gögn.....	81
Gaumljós	76	Orkunýtni	82
Dagleg notkun.....	77	Umhverfismálefni	82
Eldvél	78	IKEA-ábyrgð	83
Leiðbeiningar um potta og pönnur.....	78		

Öryggisupplýsingar

ⓘ Til að tryggja öryggi og rétta notkun tækisins, lesið vandlega þessa handbók fyrir uppsetningu og notkun. Haldið alltaf þessum leiðbeiningum með tækinu, jafnvel ef þú flytur það eða selur. Notendur verða að vita alveg starfrækslu og öryggisatriði tækisins.

Rétt notkun

- Ekki láta tækið eftirlitslaust þegar það er í notkun.
- Þetta tæki er eingöngu hannað til heimilisnota.
- Þetta tæki er eingöngu hannað til notkunar innanhúss.
- Ekki má nota tækið sem vinnusvæði eða sem geymsluflöt.
- Ekki setja eða geyma eldfima vökva, mjög eldfim efni eða sambræðanlega hluti (t.d. plastfilmu, plast, ál) í eða nálægt tækinu.
- Gætið að þegar rafmagnstækinu er stungið í innstungu rétt hjá. Ekki leyfa snúrunni að koma við eða festast undir tækinu eða heitum pottum.
- Ekki gera sjálf(ur) við til þess að koma í veg fyrir meiðsli og skemmdir á tækinu. Hafið ávallt samband við næstu IKEA-verslun.

Öryggi barns og viðkvæms einstaklings

- Börn 8 ára og eldri og fólk sem er hreyfihamlað, með skerta skynjun, skert andlega eða skortir reynslu og þekkingu ef það hefur fengið leiðsögn eða leiðbeiningar um örugga notkun ísskápsins og áttar sig á hættunum sem fylgja mega nota ísskápinn.
- Haldið öllum umbúðum frá börnum. Vegna hættu á köfnun.

- Halda börnum frá tækinu á meðan það er í gangi og einnig þegar það er ekki í notkun.
- Börnum undir 8 ára aldri skal haldið frá nema þau séu undir stöðugu eftirliti.
- Börn mega ekki leika sér að helluborðinu. Hreinsun og viðhald notanda skulu ekki framkvæmd af börnum án tilsjónar.

⚠ **VIÐVÖRUN!** Setjið barnalæsinguna á til að hindra að ung börn og gæludýr kveiki óvart á helluborðinu.

Almennt öryggi

- Ekki setja neitt fyrir loftræstinguna á grind tækisins eða innbyggðu gerðina.
- Ekki snerta flötinn þegar hitavísirinn sýnir leifar af hita til að koma í veg fyrir meiðsli.
- Ekki setja neina hluti í spanhelluborð meðan á aðgerð stendur til að koma í veg fyrir raflost.
- Ekki vefja snúrunni um hálsinn til að koma í veg fyrir kyrkingarhættu.
- Ekki má nota gufuhreinsi til að hreinsa helluborðið.
- Ekki skal láta málmhluti svo sem hnífa, gaffla, skeiðar eða lok ofan á helluborðið, því að þeir geta orðið heitir.
- Eftir notkun skal slökkva á helluborðinu og ekki treysta á pottaskynjarann.
- Ekki er ætlast til að helluborðið sé notað með aukatímastilli eða sérstakri fjarstýringu.
- Forðast skal að snerta hitafleti.
- Ef rafsnúran er skemmd þarf framleiðandi, viðurkennt þjónustuverkstæði eða einhverjir með hliðstæða löggildingu að skipta um hana til að forðast hættu.

Vinsamlegast hafið samband við verslun IKEA.

- Tækið er ætlað til notkunar á heimili og við svipaðar aðstæður, svo sem:
 - í starfsmannaeldhúsum í verslunum, skrifstofum og öðru vinnuumhverfi;
 - á bóndabæjum;
 - af viðskiptavinum á hótélum, gistiheimilum og í annarskonar íbúðarhúsnæði;
 - á gistiheimilum og þess konar umhverfi.

VARÚÐ: heitt yfirborð. Yfirborðið getur orðið heitt við notkun.

Öryggisleiðbeiningar

Uppsetning

- Framleiðandi ber ekki ábyrgð á meiðslum á fólki, gæludýrum eða skemmdum á eignum vegna þess að ekki var farið eftir eftirfarandi kröfum.
- △ **VARÚÐ!** Til að halda áfram með uppsetningu er vísað til öryggisupplýsingarnar.
- △ **VIÐVÖRUN!** Uppsetningin verður að fylgja lögum, reglugerðum, tilskipunum og stöðlum (rafmagnsöryggisreglum og reglugerðum, rétttri endurvinnslu í samræmi við reglur, o.s.frv.) sem eru í gildi í viðkomandi landi!
- Forðist að setja tækið upp við hliðina á hurðum eða undir gluggum þar sem heitur pottur getur fallið af helluborðinu þegar hurðirnar og gluggarnir eru opnaðir.
- Tryggið að tækið sé ekki skemmt vegna flutninga. Ekki tengja skemmt tæki.
- Ekki setja tækið upp ef það hefur skemmst við flutninginn.

△ **VIÐVÖRUN!** Ef sprungur eru í yfirborðinu, skal slökkva á helluborðinu til að komast hjá hugsanlegu raflosti. Vinsamlegast hafið samband við verslun IKEA.

△ **VIÐVÖRUN!** Helluborðið og fletir þess verða heit við notkun.

△ **VIÐVÖRUN!** Hættulegt getur verið að elda á helluborðinu með feiti eða olíu og getur valdið eldsvoða. ALDREI skal reyna að slökkva slíkan eld með vatni, heldur slökkva á helluborðinu og kæfa logann, t.d. með loki eða eldvarnarteppi.

- Ekki tengja helluborðið með framlengingarsnúru og ekki leggja helluborðið með snúrunni yfir vinnusvæðin.
- Ekki breyta tæknistaðlinum eða breyta þessari vöru. Hætta á meiðslum og skemmdum á tækinu.

△ **VIÐVÖRUN!** Farið vandlega eftir leiðbeiningum um rafmagnstengingar.

Raftenging

- Áður en tengt er skal athuga hvort nafnspenna tækisins sem tilgreint er á kennispjaldinu samsvari fyrirbyggjandi fæðispennu. Kannið einnig afköst helluborðsins og tryggið að rafkerfi heimilisins sé nægilega öflugt til að knýja helluborðið (sjá kafla um Tæknileg gögn).
- Matsplatan er staðsett á neðri hlíf helluborðsins.
- △ **VIÐVÖRUN!** Hætta á meiðslum frá rafstraumi.
- Skautin geta ofhitnað vegna lausra eða óviðeigandi kló og innstungu.

Fyrir notkun:

Vinsamlegast gefið gaum að eftirfarandi leiðbeiningum fyrir notkun.

- Vinsamlegast notið staðlaðar innstungur fyrir aðal aflagjafann og athugið þær reglulega til að koma í veg fyrir skemmdir.
- Ekki opna helluborðið sjálf eða nokkur annar án tilskilinna réttinda. Einungis þjónustufulltrúi eða viðurkenndur tæknimaður hefur leyfi til að framkvæma viðgerðir á helluborðinu.
- Vinsamlegast athugið rafmagnsleiðsluna og klónna. Ekki nota helluborðið ef rafsnúran eða klóin eru skemmd. Ekki draga klónna út með blautum höndum.
- Ekki nota framlengingarsnúruna og notið aðeins innstungu fyrir aðal aflagjafann.
- Ef helluborðið hefur ekki verið í notkun lengi skal byrja á að kveikja á því í 10 mínútur til að gera rafeindaíhlutinn stöðugan. Síðan er hægt að fara að nota helluborðið.
- Ekki nota helluborðið nærri vatni, eldi eða á röku svæði. Helluborðið er EINGÖNGU ætlað til notkunar innanhúss.
- Fjarlægja skal allar umbúðir, límmiða og plastfilmu utan af helluborði fyrir notkun.
- Slökkvið á plötunni eftir hverja notkun og ekki treysta á pönnunemanum.
- Hætta á bruna! Ekki má setja hluti úr málm, eins og hnífa, gaffla, skeiðar eða pottlok á eldunaryfirborðið, þar sem þeir geta orðið heitir.

⚠ VIÐVÖRUN! Eldhætta! Kviknað getur fljótt í ofhitaðri fitu eða olíu.

⚠ VIÐVÖRUN! Notendur með ígræddan gangráð ættu að halda efri hluta líkamans minnst 30 cm fyrir ofan plötuna sem kveikt er á.

⚠ VIÐVÖRUN! Ekki nota tækið þegar hendurnar eru blautar og hafið yfirborð stjórnborðsins þurrt. Ef of mikið vatn er á stjórnborðstökkunum þá er ekki lengur hægt að nota það.

⚠ VIÐVÖRUN! Ef yfirborðið er sprungið á að slökkva á tækinu til að koma í veg fyrir möguleika á raflosti.

Við og eftir notkun:

Vinsamlegast gefið gaum að eftirfarandi leiðbeiningum til að koma í veg fyrir íkveikju og slys.

- Látið helluborðið ÁVALLT sitja á sléttu og traustu yfirborði.
- Eftirlit á að vera með börnum til að tryggja að þau leiki sér ekki með tækið.
- Ekki láta eftirfarandi hluti á helluborðið þegar það er í gangi.
 - a) Ryðfrítt stál
 - b) Járn
 - c) Steypujárn
 - d) Ál
 - e) Lok og glerungur
 - f) Hnífur, gaffall eða skeið
 - g) Plötu sem er úr járn, ryðfríu stáli, steypujárni eða áli
 - h) Tómir pottar
- Ekki færa eða hreyfa helluborðið úr stað með pottum eða pönnum ofan á því á meðan hitun á sér stað.
- Vinsamlegast hafið góða loftræstingu þegar verið er að elda.
- Ekki stinga neinum vírum eða málmhlutum í loftinntak eða loftúttak tækisins.
- Umhirða plötunnar.
 - a) Ekki láta þunga hluti falla á plötuna.
 - b) Ekki hella vatni, sýru eða vökvi á plötuna.
 - c) Ekki kveikja eld á plötunni.
 - d) Ekki láta neina potta eða pönnur á helluborðið þegar ekki er verið að nota það.
 - e) Ef yfirborðið (helluborðið) er sprungið skal slökkva strax á helluborðinu til að forðast raflost og skila því í næstu IKEA-verslun.
 - f) Sumir pottar hafa hátt þegar þeir eru notaðir. Færið pottana aðeins og hljóðið hverfur eða minnkar. Ef ekki, skiptið þá um potta.

- Ekki láta helluborðið á teppi, dúk eða pappír þegar það er í gangi.
- Ekki snerta plötuna á meðan hún er heit. Platan er enn heit þar til hitavísirinn hverfur, jafnvel þegar búið er að slökkva á henni.
- Ekki taka helluborðið úr sambandi með því að toga í rafsnúruna.
- Slökkva skal á helluborðinu og láta kólna áður en tekið er úr sambandi. Vinsamlegast takið rafsnúruna úr sambandi ef helluborðið verður ekki í notkun í lengri tíma.
- Haldið pottum og pönnum frá helluborði eftir notkun.

Hvernig á að forðast skemmdir á tækinu

- Keramikið getur skemmst ef hlutir detta á það eða pottarnir rekast í það.
- Pottar úr steypujárni, steypuáli eða með skemmdan botn getur rispað keramikið ef þeim er rennt yfir yfirborðið.

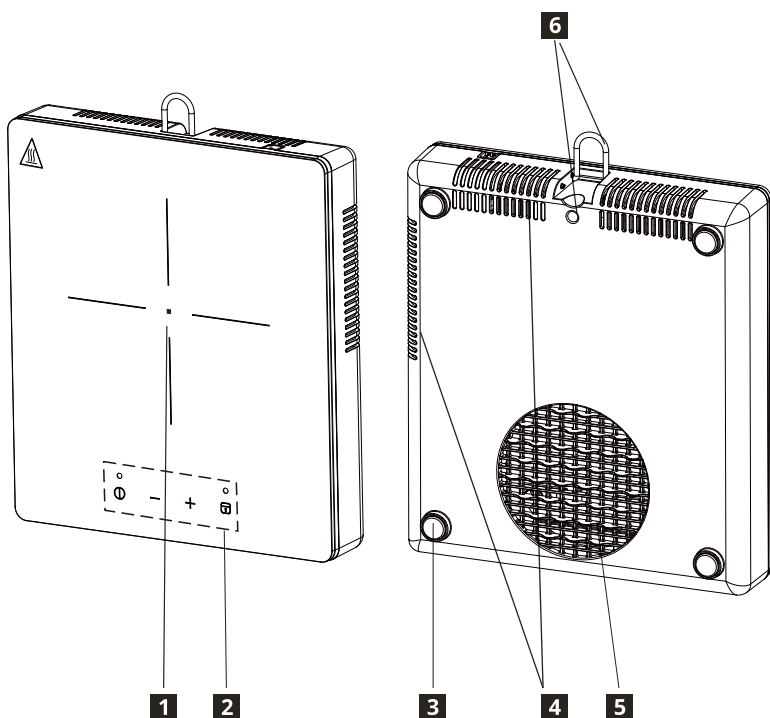
- Keramikið getur skemmst ef það dettur á gólfið.
- Ekki láta potta eða steikarpönnur að sjóða þurrum til þess að koma í veg fyrir skemmdir á pottum og keramik.
- Ekki setja tóma potta á plötuna eða hafa hana án potta.
- Setjið aldrei álpappír á hluti á tækið. Setjið aldrei plast eða önnur efni sem geta bráðnað í eða á tækið.

⚠ **VIÐVÖRUN!** Hafið tækið í sambandi þar til slokknar á viftunni og hitavísinum.

Upplýsingar um akrýlamíð

Mikilvægt! Samkvæmt nýjustu vísindalegri þekkingu, að steikja matinn mikið, sérstaklega mat sem inniheldur mikla sterkju, getur talist hættulegt heilsunni vegna akrýlamíðs. Þess vegna mælum við með að elda á lægsta mögulega hitanum og ekki steikja matinn of mikið.

Vörulýsing



1 Hitunarsvæði

Eldunarsvæði 170 mm, 2000 W

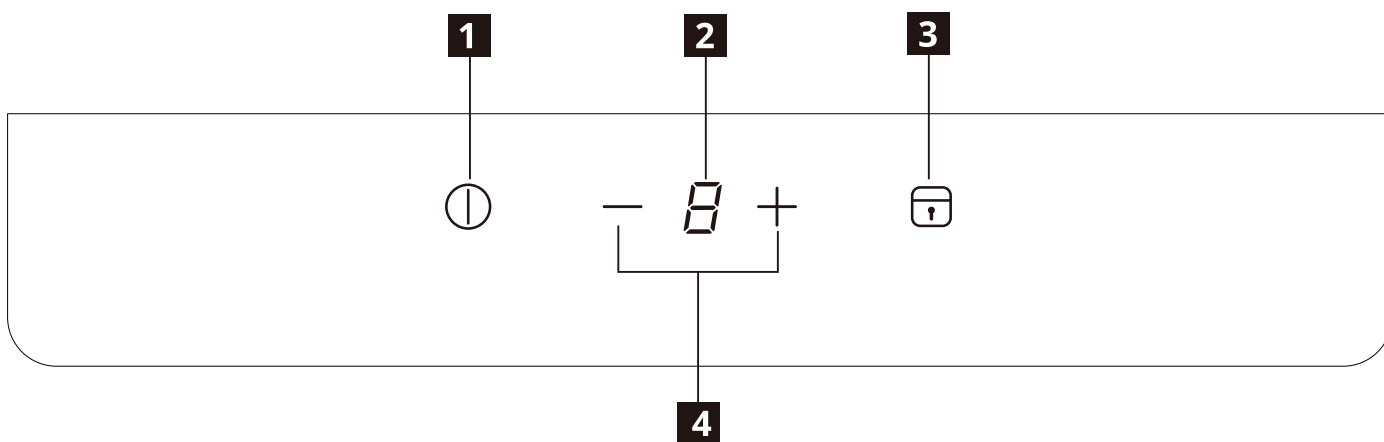
2 Stjórnborð

3 Sílikon-fætur

4 Loftúttak

5 Loftinntak

6 Snagi



Fyrirkomulag stjórnborðs

- 1** Kveikja/Slökkva
- 2** Stilliskjár
- 3** Læsing/barnalæsing
- 4** Hitastilling - / +

Nemasvæði snertistýringar og skjáir

Eldavélinni er stýrt með því að snerta nemasvæðin. Skjár og hljóðmerki (stutt píp) staðfestir val á aðgerð.

Orkustig	1	2	3	4	5	6	7	8	9
Orka	150 W	250 W	300 W	450 W	600 W	800 W	1100 W	1500 W	2000 W

Gaumljós

⚠ Pottur rangt staðsettur eða vantar

Táknið birtist ef potturinn hentar ekki til spaneldunar, er rangt staðsettur eða ekki af réttri stærð á viðkomandi eldunarsvæði. Ef enginn pottur er skynjaður innan 30 sekúndna, eftir að valið hefur verið, slokknar á eldunarsvæðinu.

H Eftirhiti

Ef skjárin sýnir „H“ er eldunarsvæðið enn heitt. Þegar eldunarsvæðið kólnar, slokknar á skjánum.

⚠ VIÐVÖRUN! Hætta á bruna vegna afgangshita! Eftir að slökkt er á tækinu þarf eldunarsvæðið tíma til að kólna. Horfið á afgangshitavísinn **H**.

Notið afgangshitann til að bræða mat eða halda honum heitum. Ekki taka tækið úr sambandi án þess að bíða eftir að **H** fari af skjánum.

Dagleg notkun



Tengja við innstunguna

1. Eftir að klónni er stungið í samband verður barnalæsingin virk. Ýtið á og haldið barnalæsingartakkanum inni í 3 sekúndur til að slökkva.

Kveikja/Slökkva

1. Ýtið á KVEIKJA/SLÖKKVA takkann, skjárin sýnir „0“ eins og í biðstöðu og kviknar á orkuvísinum. Ef ekki er valin hitastilling innan 30 sekúndna, slokknar sjálfkrafa á hellunni án þess að ýtt sé á SLÖKKVA/KVEIKJA-hnappinn.
2. Ýtið á KVEIKJA/SLÖKKVA takkann meðan eldað er og platan slekkur á sér.



Hitastilling

1. Ýtið á — eða + til að stjórna hitanum við eldamenskuna.
 2. Ef ýtt er á — fer hitastillingin beint í „9“.
 3. Ef ýtt er á + hækkar hitastillingin úr „1“.
- Ýtið á — til að lækka stillinguna úr „9“ í „1“.
- Ýtið á + til að hækka hitastillinguna úr „1“ í „9“.



Læsiaðgerð

Þegar eldunaraðstaðan er notuð geturðu læst stjórnborði, til dæmis til að hreinsa helluborðið. Það kemur í veg fyrir að hitastillingin breytist óvart. Hægt er að slökkva á helluborðinu með Kveikja/Slökkva takkanum.

VirkJa læsingu

1. Stillið á æskilegan hita.
2. Ýtið á Læsingu-hnappinn í 3 sekúndur. Aðgerðin er virk þegar Læsingu-hnappljósið logar og hljóðmerki heyrir.

Afvirkja læsingu

1. Ýtið á Læsingu-hnappinn í 3 sekúndur. Aðgerðin er óvirk þegar Læsingu-hnappljósið slokknar og hljóðmerki heyrir.
2. Hitastillingin fer á fyrri stillingu.

Barnalæsing

Einnig er hægt að læsa stjórnborðinu þegar það er ekki í platan er ekki í notkun. Þessi aðgerð kemur í veg fyrir að kveikt sé á tækinu af slysi.

VirkJa barnalæsing

1. Kveikið á tækinu með KVEIKJA/SLÖKKVA takkanum. Ekki stilla á neinn hita.
2. Ýtið á Læsingu-hnappinn í 3 sekúndur. Aðgerðin er virk þegar Læsingu-hnappljósið logar og hljóðmerki heyrir.
3. Slökkva á tæki með KVEIKJA/SLÖKKVA takkanum.

Afvirkja barnalæsing

1. Ýtið á Læsingu-hnappinn í 3 sekúndur. Aðgerðin er óvirk þegar Læsingu-hnappljósið slokknar og hljóðmerki heyrir.

Sjálfvirkt straumrof

Aðgerðin slekkur sjálfkrafa á hellunni ef:

- slökkt er á öllum plötum.
- EKKI er stillt á hita innan 30 sekúndna eftir að kveikt er á hellunni.
- EKKI var slökkt á eldunarsvæði eða ekki var breytt stillingu eftir 2 klst. eða ef yfirhitun verður (t.d. þegar allt sýður upp úr pönnu).

Eldvél


Hitastilling	Notkun við:	Tími (mín)	Ráð
1	• Halda elduðum mat heitum.	eftir þörfum	Láttu lok á eldunarílatið.
1-2	• Hollandaise-sósa, bræða: smjör, súkkulaði, gelatín.	5-25	Hræra öðru hverju.
2-3	• Láttu malla hrísgrjón og mjólkurblandaða rétti, hita upp foreldaðar máltíðir.	25-50	Nota a.m.k. tvöfalt meiri vökva en hrísgrjón, hræra í mjólkurréttum hálfra leið í gegnum ferlið.
4-5	• Gufusjóða grænmeti, fisk, kjöt, kartöflur.	20-45	Nota lítið magn af vatni.
	• Sjóða mikið magn af mat og kássum.	60-150	Nota lítið magn af vatni.
5-6	• Mjúksteiking: kálfakjöt í cordon bleu, kótelettur, kjöt- eða fiskibollur, bjúgu, sósugrunnur, egg.	eftir þörfum	Snúa eftir helming tímans.
7-8	• Kartöfluklattar, steikur.	5-15	Snúa eftir helming tímans.
9	• Sjóða vatn, elda pasta, brunasteikja kjöt (gúllas, ofnsteik), djúpsteikja franskar kartöflur.		

Leiðbeiningar um potta og pönnur

Hvaða potta skal nota

Eingöngu skal nota potta og pönnur gerðar úr járnsegulefni sem hentar til eldunar á spanhellum:

- Steypujárn
- Glerungshúðað stál
- Kolstál
- Ryðfrítt stál (þó ekki allar gerðir)
- Ál með járnsegulhúð eða járnsegulþynnu

Leitið að táknuinu  (venjulega stimplað á botninn) til að ákvarða hvort panna hentar. Einnig má bera segul að botninum. Ef hann tollir við botninn virkar potturinn eða panna á spanhellum.

Notið ávallt potta og pönnur með sléttum botni, sem dreifir hitanum jafnt, til að tryggja hámarksafköst. Ef botninn er ósléttur hefur það áhrif á hita- og varmaleiðni.

Notkunarleiðbeiningar

Lágmarks þvermál pott-/pönnubotns fyrir mismunandi eldunarsvæði

Potturinn verður að þekja einn eða fleiri af viðmiðunarpunktunum sem sýndir eru á helluyfirborðinu og verður að ná lágmarksþvermáli til að tryggja að hellan starfi rétt.

Ávallt skal nota eldunarsvæði sem best passar við þvermál pönnubotnsins.

Eldunarsvæði	Ráðlagt þvermál potta- eða pönnubotns [mm]
Eldunarsvæði fyrir miðju aftast	120-180

Tómir eða þunnbotna pottar/pönnur

Ekki má nota tóma eða þunnbotna potta eða pönnur á hellunni því hún getur ekki fylgst með hitastiginu eða slökkt sjálfkrafa ef hitastigið er of hátt og þannig getur pannan eða helluyfirborðið skemmst. Ef þetta gerist má ekki snerta neitt en bíða skal og láta alla íhluti kólna.

Ef villuskilaboð birtast skal leita undir „Bilanaleit“.

Tillögur/ráð**Hávaði á meðan eldað er**

Þegar eldunarsvæðið er í gangi getur verið að það suði smástund. Þetta einkennir öll eldunarsvæði úr keramik-gleri og skerðir ekki virkni eða líftíma helluborðsins. Hávaðinn fer eftir hvernig pottar og pönnur eru notaðar. Ef mikil truflun er af þessu getur hjálpað að skipta um potta og pönnur.

Eðlileg hljóð úr spanhelluborðinu

Spaneldun byggist á að búa til rafsegulsvið sem skapar hita beint í botni potta eða panna. Pottar og pönnur geta valdið alls kyns hávaða eða titringi eftir því hvernig þau eru framleidd.

Hávaðinn getur verið sem hér segir:

Lágt suð (svipað og í straumbreyti)

Þessi hávaði skapast þegar eldað er á miklum straum. Það byggist á orkuyfirfærslu frá eldunarsvæði til eldunaráhalda.

Hávaðinn minnkar eða hverfur þegar hitastilling er lækkuð.

Lágvær hvinur

Þessi hávaði skapast þegar eldunarílát er tómt. Hann hverfur þegar vökvi eða matur eru settir í ílátið.

Snark

Þetta hljóð skapast ef pottar eða pönnur eru gerð úr mismunandi lagskiptu efni.

Það verður vegna titrings á flötum þar sem mismunandi efni mætast. Hljóðið verður til í eldunarílátunum og breytist eftir magni matvæla og vökva og eldunaraðferð (t.d. sjóða, malla, steikja).

Hávær hvinur

Svona hávaði skapast þegar eldunarílát eru gerð úr mismunandi lagskiptu efni og þegar auk þess er notuð hámarksstilling og líka á tveimur eldunarsvæðum. Hávaðinn minnkar eða hverfur þegar hitastilling er lækkuð.

Þessi hljóð eru eðlileg viftuhljóð

Nauðsynlegt er að stýra hitastigi á eldunarsvæði til að rafeindastýringin virki rétt. Þess vegna er eldunarsvæðið búið kæliviftu sem fer í gang til að minnka og stýra hitastigi rafeindakerfisins. Hugsanlegt er að viftan sé í gangi eftir að slökkt er á heimilistækini ef hitastigið, sem greinist yfir eldunarsvæðinu, er enn of hátt eftir að slökkt hefur verið.

Taktfast hljóð svipað og tif í klukku

Hljóðið kemur einungis þegar a.m.k. þrjú eldunarsvæði eru í gangi og hverfur eða lækkar þegar slökkt er á einhverju þeirra.

Hljóðin sem lýst hefur verið eru eðlilegur hluti af spantækninni og ber ekki að líta á sem galla.

Umhirða og þrif

⚠ **VIÐVÖRUN!** Slökkvið á tækinu og láta það kólna áður en það er tekið úr sambandi.

⚠ **VIÐVÖRUN!** Slökkvið á tækinu og láta það kólna áður en það er þrifið.

⚠ **VIÐVÖRUN!** Ekki er mælt til að tækið sé hreinsað með gufuþrýstibúnaði eða háþrýstiefnum.









⚠ **VIÐVÖRUN!** Oddhvassir hlutir og fægilögur mun skemma tækið. Hreinsið tækið og fjarlægja leifar með vatni og uppþvottaefni eftir hverja notkun. Fjarlægið einnig leifar af hreinsiefnum!

ⓘ Rispur eða dökkir blettir á keramikinu sem ekki er hægt að fjarlægja hafa ekki áhrif á starfsemi tækisins.

Blettir og erfiðir blettir fjarlægðir:

- Fjarlægja ætti strax matvæli sem innihalda sykur, plast, leifar af álpappír, besta tækið til að hreinsa gleryfirborð er skafa (fylgir ekki tækinu). Setjið sköfuna á yfirborð keramikins í halla og fjarlægja leifar með því að renna blaðinu yfir yfirborði. Þurrkið tæki með rökum klút með smá uppþvottalegi. Nuddið tækið með hreinum þurrum klút í lokin.
- Fjarlægja ætti kalk-, vatns-, fitubletti, glansandi málmupplitun eftir að tækið hefur kólnað niður með hreinsiefni fyrir keramik eða ryðfríu stáli.

Bilanaleit

Vandamál	Möguleg orsök	Lausn
Heimilistækið virkar ekki.	Það vantar orku eða skammhlaup á heimilinu þínu.	
	Innstungan er ekki rétt tengd.	Athugið hvort aflgjafi er rétt tengdur við eldavélina.
	Meira en 10 sekúndur eru liðnar frá því að kveikt var á tækinu.	Kveikið aftur á tækinu.
	Barnalæsing er á.	Afvirkja barnalæsinguna. (Sjá kaflann um „Barnaöryggistæki“).
	Nokkrir skynjarar voru snertir á sama tíma.	Snertið aðeins einn skynjara.
Helluborðið starfar ekki. Villuboð:  → 	Pottur eða panna henta ekki á spanhellur.	Skiptið yfir í potta fyrir spanhellur.
	Enginn pottur eða panna á eldunarsvæði eða botnþvermál undir 120 mm.	Setjið potta á eldunarsvæðið.
Helluborðið starfar ekki. Villuboð:  → 	Potturinn er tómur (þurrsuða) eða eldunarhitinn er of hár.	Slökkvið á helluborðinu og endurræsið eftir 5 mínútur. Ef E2 er viðvarandi skal hafa samband við næstu IKEA-verslun.
	Loftinntak og úttak er lokað.	
	Lofthiti er of hár.	
Helluborðið starfar ekki. Villuboð:  → 	Rafveitan er yfir AC 275 V.	Skiptið yfir í tæki sem passar við viðeigandi aflgjafa.
Helluborðið starfar ekki. Villuboð:  → 	Helsti aflgjafinn er undir AC 100 V.	Skiptið yfir í tæki sem passar við viðeigandi aflgjafa.

Helluborðið starfar ekki. Villuboð: →	Hitaskynjari helluborðsins virkar ekki.	Vinsamlegast hafið samband við verslun IKEA.
Helluborðið starfar ekki. Villuboð: →		
Helluborðið starfar ekki. Villuboð: →	Innri undantekning	Slökkvið á helluborðinu og endurræsið eftir 5 mínútur. Ef EO er viðvarandi skal hafa samband við næstu IKEA-verslun.

Villukóði birtist þegar kveikt er á hellu og villa er skynjuð. E og tölur birtast með vissu millibili (1 sekúnda) og skiptast á.

Ef bilun verður skal reyna að laga hana með því að fylgja eftirfarandi leiðbeiningum. Ef ekki er hægt að laga bilunina skal hafa samband við næstu IKEA-

verslun.

Ef þú notar tækið rangt getur söluaðili ekki tekið það án endurgjalds, jafnvel á ábyrgðartímanum.

Tæknileg gögn

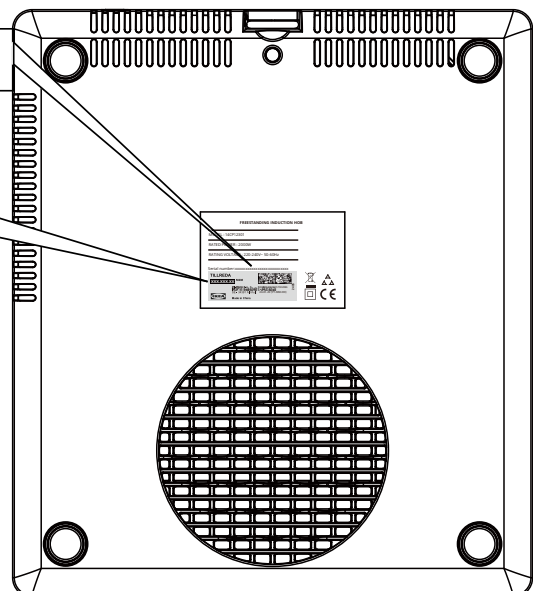
Gerð	14CP12301
Gerð helluborðs	Frístandandi spanhelluborð
Fjöldi eldunarsvæða og/eða svæða	1
Orkuhlutfall	2000 W
Spennuhlutfall	220-240 V~
Tíðnihlutfall	50-60 Hz
Dýpt	305 mm
Breidd	270 mm
Hæð	62 mm
Nettó þyngd	2,33 kg

Raðnúmer (byrjar á SN, 22-talna kóði)

Raðnúmer: xxxxxxxxxxxxxxxxxxxxxxxxx

Vörunúmer (8-talna kóði)

XXX.XXX.XX




Mynd aðeins til viðmiðunar

Orkunýtni

Gerðarauðkenni	14CP12301
Gerð helluborðs	Færanlegt heimilistæki
Fjöldi eldunarsvæða	1
Hitunartækni	Spanstraumur
Þvermál hringlaga eldunarsvæða (Ø)	170 mm
Orkunotkun á eldunarsvæði (EC rafmagnseldun)	184 Wh/kg
Orkunotkun helluborðs (EC rafmagnshelluborð)	184 Wh/kg
Framleiðsluupplýsingar um aflnotkun og tíma sem tekur að ná viðkomandi lágafsstillingu þegar er	slökkt er á: 0,5 W
Hámarkstími sem þarf til að ná viðkomandi lágafsstillingu	5 sekúndur
Tilskipun 2009/125/EC, REGLUGERÐ EVRÓPUÞINGSINS OG RÁÐSINS (ESB) Nr. 66/2014, EN 60350-2:2018+A1:2021.	

Umhverfismálefni


Förgun heimilistækja

Táknið  á vörunni eða umbúðum hennar gefur til kynna að það megi ekki meðhöndla sem hana sem heimilissorp. Þess í stað ætti að fara með vöruna á réttan afhendingarstað til endurvinnslu fyrir rafmagns- og rafeindabúnað. Með því að tryggja að þessi vara sé rétt fargað ertu að koma í veg fyrir hugsanlegar neikvæðar afleiðingar fyrir umhverfi og heilsu manna, sem annars gæti hlotist við ranga förgun vörunnar. Vinsamlegast hafðu samband við bæjarstjórn, endurvinnslustöð eða verslunina þar sem þú keyptir vöruna til að fá nánari upplýsingar um endurvinnslu á þessari vöru.

▲ VIÐVÖRUN! Fylgdu þessum skrefum til að farga tækinu:

- Dragið klóna úr innstungunni.
- Skerið rafmagnssnúruna í burtu og fleygið henni.

Förgun umbúða

Hægt er að vinna efnin með táknuinu . Fargið umbúðum á viðeigandi söfnunarstað til að endurvinna þær.

Orkusparnaður

- Setjið lokið á pottinn ef það er hægt.
- Setjið pottinn á eldunarsvæðið áður en kveikt er á plötunni.
- Botn pottsins ætti að vera eins þykkur og flatur og mögulegt er.

IKEA-ábyrgð

Hve lengi gildir IKEA-ábyrgðin?

Þessi ábyrgð gildir í 2 ár frá deginum sem þú keyptir upprunalega heimilistækið hjá IKEA, nema annað sé tekið fram í landslögum. Farðu endilega á IKEA.com til að sjá hvað á við um þitt land.

Framvísa þarf upprunalegu sölukvittuninni til sönnunar á kaupunum. Ef tækið er þjónustað á ábyrgðartímanum lengir það ekki ábyrgðartímann fyrir tækið.

Hver sér um þjónustuna?

Hafið samband við verslun IKEA.

Hvað nær ábyrgðin yfir?

Ábyrgðin nær yfir bilanir á heimilistækinu, sem geta hafa orðið vegna smíðagalla eða efnisgalla frá því að það var keypt af IKEA.

Þessi ábyrgð nær aðeins yfir heimilisnotkun.

Undanþágur eru tilgreindar undir fyrirsögninni „Hvað nær þessi ábyrgð ekki yfir?“ Kostnaður við að bæta úr galla, t.d. viðgerðir, varahlutir, vinna og ferðir verður bættur að því tilskildu að heimilistækið sé aðgengilegt til viðgerða án sérstakra útgjalda á ábyrgðartímanum. Varahlutirnir sem skipt er um verða eign IKEA.

Hvað gerir IKEA til að leysa vandamálið?

IKEA kannar vöruna og ákveður að eigin vild hvort hún fellur undir þessa ábyrgð. Ef það er talið falla undir þá mun IKEA, að eigin vild, annaðhvort gera við gallaða vöru eða skipta um hana með sömu eða sambærilegri vöru.

Hvað nær þessi ábyrgð ekki yfir?

- Eðlilegt slit.
- Vísitandi eða vanrækslutjón, tjón af völdum þess að notkunarleiðbeiningum var ekki fylgt, röng uppsetning eða tenging við ranga spennu, tjón af völdum efna eða rafefnafræðilegra viðbragða, ryð, tæring eða vatnsskemmdir meðal en ekki takmarkað við tjón af völdum óhóflegs kalks í vatnsveitu, tjón af völdum óeðlilegra umhverfisaðstæðum.
- Einnota vörur eins og rafhlöður og perur.

- Óhagnýtir og skrauthlutir sem hafa ekki áhrif á eðlilega notkun á tækinu, þar á meðal alls konar rispur og mögulegur litamunur.
- Tilfallandi tjón af völdum aðskotahluta eða efna og þrifa eða hreinsun á síum, fráveitum eða sápuskúffum.
- Skemmdir á eftirfarandi hlutum: keramikgleri, fylgihlutir, leirtaus- og hnífaparakörfum, aðrennslis- og frárennslisrörum, þéttum, perum og peruhlífum, skjáum, hnöppum, hlífum og hluti af hlífum. Nema hægt sé að sanna að slíkt tjón sé tilkomið vegna framleiðslugalla.
- Viðgerðir sem ekki eru framkvæmdar af skipuðum þjónustuaðila okkar og/eða viðurkenndum þjónustuaðila sem er samningsbundinn samstarfsaðili eða upprunalegir varahlutir hafa ekki verið notaðir.
- Viðgerðir af völdum gallaðrar uppsetningar eða sem er ekki í samræmi við tæknilýsingu.
- Notkun tækisins í umhverfi sem er ekki heimili, þ.e. nota í atvinnuskyni.
- Skemmdir vegna flutninga. Ef viðskiptavinur flytur vöruna heim til sín eða á annað heimilisfang, ber IKEA ekki ábyrgð á tjóni sem kann að verða í flutningum. Hins vegar, ef IKEA afhendir vöruna á heimilisfang viðskiptavinarins, þær skemmdir á vörunni sem á sér stað við þessu afhendingu fellur undir ábyrgðina.
- Kostnaður við að setja upp IKEA heimilistækið í fyrsta sinn. Ef þjónustuaðili skipaður af IKEA eða viðurkenndur samstarfsaðili hans gerir við eða skiptir um heimilistækið samkvæmt ákvæðum þessarar ábyrgðar mun skipaður þjónustuaðili eða viðurkenndur samstarfsaðili hans setja aftur upp viðgerða heimilistækið eða endurnýjaða tækið, ef þörf krefur.

Hvernig lög landsins gilda

IKEA-ábyrgðin veitir þér tiltekin lagaleg réttindi sem ná yfir eða fara fram úr laglegum kröfum á staðnum. En þessir skilmálar takmarka á engan hátt réttindi neytandans sem lýst er í staðbundinni löggjöf.

Gildissvæði

Varðandi heimilistæki sem keypt eru í einu ESB-landi og farið með þau í annað ESB-land verður sama þjónusta veitt innan ramma ábyrgðarskilmála sem gilda í nýja landinu. Skylda til að framkvæma þjónustu innan ramma ábyrgðarinnar er eingöngu til staðar ef heimilistækið uppfyllir og er uppsett í samræmi við:

- tæknilýsingu þess lands sem ábyrgðarkrafan er sett fram í;
- samsetningarleiðbeiningar og öryggisupplýsingar í notendahandbókinni.

ÞJÓNUSTA EFTIR SÖLU á IKEA-tækjum

Hikið ekki við að hafa samband við IKEA á:

- fara fram á þjónustu sem fellur undir þessa ábyrgð;
- biðja um skýringar á virkni IKEA tækisins.

Vinsamlegast lestu vandlega leiðbeiningum um samsetningu og/eða notendahandbókina áður en haft er samband við okkur til að tryggja að við bjóðum þér bestu aðstoð.

Hvernig á að ná í okkur ef þú þarft á þjónustu okkar að halda

Þjónustuborð IKEA mun aðstoða þig í síma með grunnbilanaleit á tækinu þínu þegar hringt er með fyrirspurn. Skoðið bækling IKEA eða farið á www.ikea.com til að finna símanúmer á versluninni nálægt þér og opnun tíma.

Vinsamlegast hafið einnig ávallt vörunúmer IKEA (8 stafa númer) sem er staðsett á matsplötunni á tækinu í því skyni að veita þér fljótari þjónustu.

GEYMIÐ SÖLUKVITTUNINA!

Hún sannar að kaupin hafi átt sér stað og er nauðsynleg til að ábyrgðin gildi. Sölukvittunina sýnir einnig IKEA nafnið og númer hlutarins (8 stafa númer) fyrir hvert tæki sem þú hefur keypt.

Þarft þú meiri hjálp?

Vinsamlegast hafðu samband við þjónustuborð IKEA til að fá svör við spurningum sem tengjast ekki eftirsölu á tækinu þínu. Við mælum með að lesa bæklingana sem fylgja heimilistækinu áður að haft er samband við okkur.

Innhold

Sikkerhetsinformasjon	85	Vedlikehold og rengjøring	93
Sikkerhetsinstrukser	86	Feilsøking	93
Produktbeskrivelse	88	Tekniske data	94
Indikatorer	89	Energieffektiv	95
Daglig bruk	90	Miljøinformasjon	95
Tilberedningstabell	91	IKEA-garanti	96
Kokekarveiledning	91		

Sikkerhetsinformasjon

ⓘ Det er viktig at du leser denne håndboken nøye før du monterer og bruker produktet, for din sikkerhets skyld og for å kunne bruke det riktig. Disse instruksjonene skal alltid oppbevares sammen med produktet, selv om du flytter eller selger det. Brukerne må vite hvordan de bruker apparatet og forstå sikkerhetsfunksjonene.

Riktig bruk

- Forlat ikke apparatet ubevoktet når det er i bruk.
- Apparatet er kun beregnet på hjemmebruk.
- Apparatet er kun beregnet på innendørs bruk.
- Apparatet må ikke brukes som arbeidsflate eller til å plassere gjenstander på.
- Plasser eller lagre ikke brennbare væsker, brennbart materiale eller ting som kan smelte (f.eks. plastfolie, plast, aluminium) i eller nær apparatet.
- Vær forsiktig når du kobler til elektriske apparater i stikkontakter i nærheten. La ikke stikkontakter komme i kontakt med eller hekte seg på undersiden av apparatet eller varme kokekar.
- For å unngå personskader og skader på apparatet, må du ikke utføre reparasjoner selv. Kontakt alltid din nærmeste IKEA-butikk.

Sikkerhet for barn og sårbare personer

- Dette apparatet kan brukes av barn som er fylt 8 år og personer med reduserte fysiske, sensoriske eller psykiske evner

eller personer som mangler erfaring og kunnskap, så lenge de er under tilsyn eller får instruksjoner i sikker bruk av apparatet og forstår risikoene forbundet med bruken.

- Hold all emballasje unna barn. Risiko for kvelning.
- Hold barn unna apparatet, både når det er i bruk og ikke.
- Barn under 8 år skal holdes unna, med mindre de har kontinuerlig tilsyn.
- Barn skal ikke leke med apparatet. Barn må ikke rengjøre eller vedlikeholde apparatet uten tilsyn.

⚠ **ADVARSEL!** Aktiver barnesikringen for å unngå at små barn og dyr utilsiktet slår apparatet på.

Generelt om sikkerhet

- Pass på at ventilasjonsåpningene til apparatets kabinett eller den innebyggede strukturen ikke blokkeres.
- Berør ikke panelet når varmeindikatoren lyser. Dette kan føre til skade.
- Stikk ikke gjenstander inn i induksjonstoppen under bruk. Dette kan føre til elektrisk støt.
- Ikke surr ledningen rundt halsen. Dette kan føre til kvelning.
- Bruk ikke damprengjøringsapparater til å rengjøre enheten.
- Metallgjenstander, som kniver, gafler, skjær og lokk, skal ikke plasseres på koketoppen fordi de kan bli varme.
- Etter bruk skal kokeplaten skrus av med kontrollen. Stol ikke på at kokekartektoren gjør det for deg.

- Dette apparatet er ikke beregnet på å skulle brukes via en ekstern tidtaker eller et separat, fjernkontrollert system.
- Unngå å berøre varmeelementene.
- Hvis strømledningen blir skadet, skal den skiftes ut av produsenten, et autorisert servicesenter eller personer med tilsvarende kvalifikasjoner for å unngå skade. Kontakt nærmeste IKEA-butikk.
- Dette apparatet er beregnet for bruk i hjem og lignende, deriblant følgende:
 - personalkjøkken i butikker, kontor og andre arbeidsplasser;
 - gårdskjøkken;
 - av gjester på hoteller, moteller eller andre overnattingsteder;
 - B&B-hoteller og lignende.

⚠️ FORSIKTIG: varm overflate.
Overflatene kan bli varme under bruk.

⚠️ ADVARSEL! Hvis overflaten er sprukket, må apparatet skrus av for å unngå elektrisk støt. Kontakt nærmeste IKEA-butikk.

⚠️ ADVARSEL! Apparatet og de tilgjengelige delene blir varme under bruk.

⚠️ ADVARSEL! Matlaging med fett eller olje uten tilsyn kan være farlig og forårsake brann. Prøv ALDRI å slukke brannen med vann. Skru av apparatet og dekk flammen med et lokk eller brannteppe.

Sikkerhetsinstrukser

Installasjon

- Produsenten er ikke ansvarlig for skader på personer, kjæledyr eller eiendeler som oppstår fordi instruksjonene og kravene ikke følges.

⚠️ FORSIKTIG! Les sikkerhetsinformasjonen før du starter monteringen.

⚠️ ADVARSEL! Monteringsprosessen må skje i samsvar med alle lover, regler, direktiver og standarder (lover om montering av elektriske apparater, resirkulering i henhold til regelverket, osv.) som gjelder for landet apparatet skal brukes i.

- Unngå å plassere apparatet ved siden av dører og under vinduer. Varme kokekar kan bli skjøvet av koketoppen når døren eller vinduet åpnes.
- Kontroller at apparatet ikke har blitt skadet under transporten. Koble ikke til et skadet apparat.
- Monter ikke apparatet hvis det har blitt skadet under transporten.

- Koble ikke til koketoppen med skjøteledninger. Plasser ikke koketoppen med ledningen liggende over arbeidsflater.
- Endre ikke spesifikasjonene og gjør ikke endringer i produktet. Risiko for personskade og skade på apparatet.

⚠️ ADVARSEL! Følg instruksjonene for elektriske koblinger nøye.

Elektriske tilkoblinger

- Før du kobler til, må du kontrollere at den nominelle spenningen for apparatet, som beskrives på informasjonsplaten, tilsvarer den tilgjengelige strømforsyningen. Kontroller også apparatets nominelle effekt, og sikre at husholdningens elektriske anlegg er egnet for apparatet (se også kapitlet om tekniske data).
- Informasjonsplaten befinner seg nederst på kabinettet til koketoppen.

⚠️ ADVARSEL! Risiko for skade fra elektrisk støt.

- Bruk av løse og upassende kontakter og støpsler kan føre til at koblingsstykket overopphetes.

Før bruk:

Les de følgende instruksjonene nøye før bruk.

- Bruk en standard stikkontakt til strømforsyningen, og kontroller den ofte for å unngå skader.
- Du eller andre ukvalifiserte personer må ikke åpne apparatet. Apparatet kan kun repareres av servicepersonell eller tilsvarende kvalifiserte teknikere.
- Kontroller strømledningen og støpselet. Ikke bruk apparatet dersom strømledningen eller støpselet er skadet. Trekk ikke ut støpselet med våte hender.
- Bruk ikke skjøteledningen. Bruk kun stikkontakten direkte i veggen.
- Dersom apparatet ikke har vært i bruk på en stund, må apparatet først slås på i 10 minutter for å stabilisere de elektroniske komponentene. Deretter kan du starte bruken av apparatet.
- Ikke bruk apparatet nær vann eller ild eller i fuktige omgivelser. Apparatet er KUN ment for innendørs husholdningsbruk.
- Fjern all emballasje, klistremerker og film fra apparatet før første bruk.
- Skru kokesonen av med kontrollpanelet etter bruk, hver gang. Overlat ikke dette til kokekardetektoren.
- Risiko for brannskade! Plasser ikke gjenstander av metall på koketoppen, f.eks. kniver, gafler, skjeer og grytelokk, da disse kan bli varme.

⚠ ADVARSEL! Brannfare! Overopphetet fett og olje kan antennes svært raskt.

⚠ ADVARSEL! Brukere som har operert inn pacemaker må holde overkroppen minst 30 cm unna induksjonskokesoner som er skrudd på.

⚠ ADVARSEL! Bruk ikke apparatet med våte hender. Hold overflaten til kontrollpanelet tørr. Vannsøl på kontrollpanelet gjør at tastene ikke kan brukes.

⚠ ADVARSEL! Hvis overflaten sprekker, må du skru av apparatet for å unngå elektrisk støt.

Under og etter bruk:

Les de følgende instruksjonene nøye for å unngå antenning og ulykker.

- Plasser KUN apparatet på en flat og solid overflate.
- Barn må ha tilsyn for å kontrollere at de ikke leker med apparatet.
- Ikke plasser noen av følgende objekter på panelet når apparatet er i bruk.
 - a) Rustfritt stål
 - b) Jern
 - c) Støpejern
 - d) Aluminium
 - e) Lokk og emalje
 - f) Kniver, gafler eller skjeer
 - g) Gjenstander laget av jern, rustfritt stål, støpejern eller aluminium
 - h) Tomme kokekar
- Ikke bær eller flytt apparatet med kokekar under oppvarming på toppen.
- Sørg for at området rundt er ryddig for å sikre god ventilasjon.
- Ikke før inn ledninger eller metallobjekter i luftinntaket eller luftutslippet på apparatet.
- Slik tar du vare på panelet.
 - a) Slipp ikke tunge gjenstander på panelet.
 - b) Hell ikke vann, syre eller andre væsker på panelet.
 - c) Brenn ikke noe med ild på panelet.
 - d) Ikke plasser varme kokekar på toppen når apparatet ikke er i bruk.
 - e) Dersom overflaten (panelet) har sprukket, må apparatet umiddelbart slås av for å unngå elektrisk støt, før det returneres til nærmeste IKEA-butikk.
 - f) Visse kokekar kan lage lyd når de er i bruk. Flytt litt på kokekaret, så kan lyden forsvinne eller reduseres. Hvis dette ikke virker, bør du bytte kokekaret.

- Ikke plasser apparatet på tepp-, stoff- eller papirmaterialer når apparatet er i bruk.
- Berør ikke panelet når det er varmt. Panelet er varmt helt til varmeindikatoren slukker, selv om apparatet er skrudd av.
- Ikke koble fra apparatet ved å dra i kablet.
- Slå av apparatet og la det kjøles ned før det kobles fra. Koble fra strømledningen når apparatet ikke skal brukes i en lengre periode.
- Oppbevar ikke kokekar på apparatet når det ikke brukes.
- Det keramiske glasset kan også bli skadet hvis det faller på gulvet.
- La ikke kokekar tørrkoke. Dette kan skade både kokekarene og koketoppen.
- Bruk ikke kokesonen med tomme kokekar eller uten kokekar.
- Pakk aldri inn noen del av apparatet i aluminiumsfolie. Legg aldri plast eller annet materiale som kan smelte inn i apparatet.

⚠ ADVARSEL! La produktet være tilkoblet stikkontakten etter bruk helt til viften og varmeindikatoren skrur av.

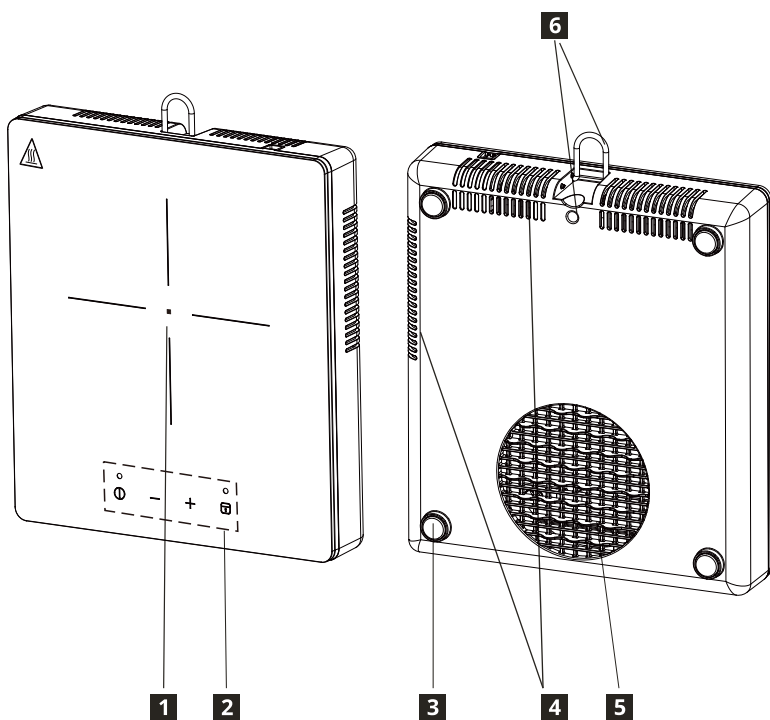
Slik unngår du skade på apparatet

- Det keramiske glasset kan ta skade hvis gjenstander faller på det eller kokekarene treffer det hardt.
- Kokekar av støpejern og støpt aluminium eller med skader på undersiden kan skrape opp det keramiske glasset hvis de skyves rundt på overflaten.

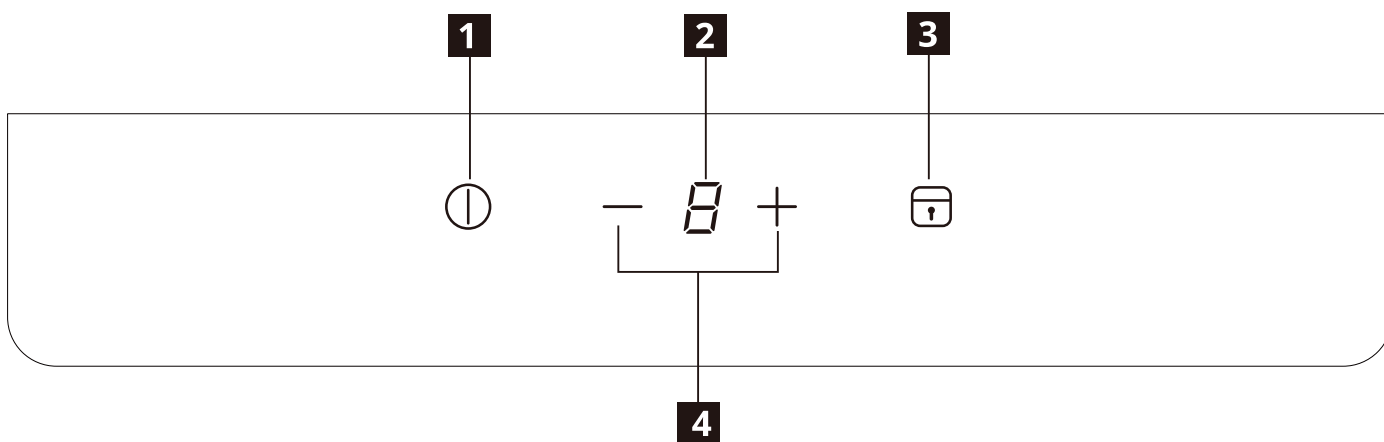
Informasjon om akrylamider

Viktig! I henhold til den nyeste forskningen, kan overdreven steking av mat, spesielt matprodukter som inneholder stivelse, utgjøre en helserisiko på grunn av akrylamider. Derfor anbefaler vi at maten tilberedes på lavest mulige temperatur og at den ikke brunes for mye.

Produktbeskrivelse



- 1** Oppvarmingsområde
Kokesone 170 mm, 2000 W
- 2** Kontrollpanel
- 3** Silikonfot
- 4** Luftutslipp
- 5** Luftinntak
- 6** Hengekrok



Kontrollpanelets oppsett

- 1** Av/På **3** Lås/barnesikring
2 Effektnivåvisning **4** Effekttinnstilling - / +

Berøringskontroll i sensorfelter og display

Du bruker koketoppen ved å berøre sensorfeltene.

Displayer og lydsignaler (korte pip) bekrefter at en funksjon er valgt.

Effekt	1	2	3	4	5	6	7	8	9
Skru på	150 W	250 W	300 W	450 W	600 W	800 W	1100 W	1500 W	2000 W

Indikatorer

☹☹ Gryte er plassert feil eller mangler

Dette symbolet vises dersom gryten ikke er egnet for induksjon, ikke er plassert riktig eller ikke er av passende størrelse for den valgte kokesonen. Dersom ingen gryte detekteres innen 30 sekunder fra valget er gjort, slås kokesonen av.

H Gjenværende varme

Dersom skjermen viser «H», er kokesonen fremdeles varm. Skjermen slås av når

kokesonen er avkjølt.

⚠ ADVARSEL! Restvarmen kan forårsake brannskader! Kokesonen trenger tid for å kjøle seg ned etter at apparatet er skrudd av. Se på varmeindikatoren **H**.

Bruk restvarmen til å smelte ting eller holde maten varm.

Koble ikke fra produktet før **H** forsvinner fra displayet.

Daglig bruk

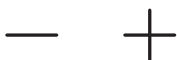


Koble til stikkontakten

1. Når du setter inn støpselet i stikkontakten, aktiveres barnesikringen. Trykk og hold inne barnesikring-tasten i tre sekunder for å deaktivere.

Av/På

1. Trykk på AV/PÅ-tasten. Skjermen viser «0» som i standbymodus, og av/på-indikatorlyset tennes. Dersom ingen varmeinnstilling er valgt innen 30 sekunder, slås koketoppen automatisk av uten at det trykkes på AV/PÅ-knappen.
2. Hvis du trykker på AV/PÅ-knappen under bruk, skrur koketoppen seg av.



Effektinnstilling

1. Trykk på — eller + for å justere effekten under bruk.
2. Trykk på —, så går varmenivået direkte til «9». Trykk på — for å senke varmenivået fra «9» til «1».
3. Trykk på + og varmenivået øker fra «1». Trykk på + for å øke varmenivået fra «1» til «9».



Låsefunksjon

Når tilberedningssonen er i bruk kan du låse kontrollpanelet, for eksempel for å rengjøre koketoppen. Det forhindrer utilsiktet endring av effekten. Koketoppen kan likevel skrues av med Av/på-knappen.

Aktiver lås

1. Angi ønsket varmenivå.
2. Hold inne låsetasten i 3 sekunder. Funksjonen aktiveres når låsetastindikatoren lyser og det avgis en lyd.

Deaktiver lås

1. Hold inne låsetasten i 3 sekunder. Funksjonen deaktiveres når låsetastindikatoren slås av og det avgis en lyd.
2. Varmenivået går tilbake til forrige innstilling.

Barnelåsefunksjon

Du kan også holde kontrollpanelet låst når koketoppen ikke er i bruk. Denne funksjonen forhindrer utilsiktede kontrolloperasjoner på apparatet.

Aktiver barnesikringen

1. Aktiver apparatet med AV/PÅ-knappen. Ikke velg et effektnivå.
2. Hold inne låsetasten i 3 sekunder. Funksjonen aktiveres når låsetastindikatoren lyser og det avgis en lyd.
3. Deaktiver apparatet med AV/PÅ-knappen.

Deaktiver barnesikringen

1. Hold inne låsetasten i 3 sekunder. Funksjonen deaktiveres når låsetastindikatoren slås av og det avgis en lyd.

Automatisk avslåing

Funksjonen skrur av koketoppen automatisk hvis:

- alle kokesonene er skrudd av.
- DU ikke velger varmenivå innen 30 sekunder etter å ha slått på koketoppen.
- DU ikke bytter kokesone eller du ikke endrer varmenivået på 2 timer, eller ved overoppheting (f.eks. dersom en panne tørrkoker).

Tilberedningstabell


Innstilling for varme	Brukes for å:	Tid (min)	Hint
1	• Holde ferdig mat varm.	ettersom nødvendig	Ta lokk på kokekaret.
1-2	• Hollandaisesaus, smelte: smør, sjokolade, gelatin.	5-25	Røres av og til.
2-3	• Småkoke ris og melkebaserte retter, varme opp ferdigretter.	25-50	Tilsett minst dobbelt så mye væske som det er ris, rør i melkeretter halvveis i prosedyren.
4-5	• Steame grønnsaker, fisk, kjøtt, poteter.	20-45	Tilsett en liten mengde vann.
	• Tilberede større mengder mat og gryteretter.	60-150	Tilsett en liten mengde vann.
5-6	• Forsiktig steking: kalvekjøtt cordon bleu, koteletter, rissoles, pølser, roux, egg.	ettersom nødvendig	Snus halvveis.
7-8	• Røstipoteter, biff.	5-15	Snus halvveis.
9	• Kok opp vann, kok pasta, stek kjøtt (gulasj, grytestek), frityrstek pommes frites.		

Kokekarveiledning

Bruk disse grytene

Bruk kun gryter og panner med bunn laget av ferromagnetiske materialer, som er egnet for bruk med induksjonstopper:

- Støpejern
- Emaljert stål
- Karbonstål
- Rustfritt stål (men ikke alle typer)
- Aluminium med ferromagnetisk belegg eller ferromagnetisk plate

For å avgjøre om en gryte eller panne er egnet, ser du etter -symbolet (vanligvis plassert på undersiden). Du kan også holde en magnet mot bunnen. Dersom den fester seg mot bunnen, vil kokekaret fungere med en induksjonstopper.

For å sikre optimal effekt, må du alltid bruke gryter og kokekar med flat bunn som fordeler varmen jevnt. Dersom bunnen er ujevn, vil dette påvirke varmen og varmeledingen.

Slik brukes den

Minstediometer for gryte/panne for forskjellige tilberedningsområder

For å sikre at koketoppen fungerer ordentlig, må gryten dekke ett eller flere av referansepunktene på overflaten av koketoppen, og den må også være stor nok.

Bruk alltid den kokesonen som passer best til diameteren på bunnen av pannen.

Kokesone	Anbefalt kokekardiameter [mm]
Midtre, bakre kokesone	120-180

Kokekar som er tomme eller har tynn bunn

Ikke bruk kokekar som er tomme eller har tynn bunn på koketoppen. Med slike kar kan den ikke overvåke temperaturen eller slå automatisk av dersom temperaturen blir for høy, noe som kan skade pannen eller koketoppens overflate. Dersom dette skjer, må du ikke berøre noe og vente til alle komponentene nedkjøles.

Dersom det vises en feilmelding, henvises det til «Feilsøking».

Hint/tips

Støy under tilberedningen

Når en kokesone er aktiv, kan den summe en kort periode. Dette er normalt for alle kokesoner av keramisk glass, og svekker ikke funksjonaliteten eller levetiden til apparatet. Støyen avhenger av hvilke kokekar som benyttes. Dersom det forårsaker betydelige forstyrrelser, kan det hjelpe å bytte kokekar.

Normale driftslyder fra induksjonstoppen

Induksjonsteknologi er basert på dannelsen av elektromagnetiske felt for å generere varme direkte på bunnen av kokekar. Gryter og panner kan forårsake en rekke lyder eller vibrasjoner avhengig av hvordan de er produsert.

Disse lydene er beskrevet som følger:

Lav brumming (som en transformator)

Denne støyen produseres ved matlaging på høyt varmenivå. Den er basert på mengden energi som overføres fra koketoppen til kokekaret. Støyen opphører eller avtar når varmenivået reduseres.

Stille plystring

Denne støyen oppstår når kokekaret er tomt. Det opphører når væsker eller mat er plassert i karet.

Knatring

Denne støyen oppstår med kokekar laget av forskjellige materialer lagt lag på hverandre. Det forårsakes av vibrasjonene på overflatene der ulike materialer møtes. Støyen oppstår på kokekaret og kan variere avhengig av mengden mat eller væske og tilberedningsmetoden (f.eks. koking, småkoking, steking).

Høyt plystring

Denne støyen oppstår med kokekar laget av forskjellige materialer lagt på hverandre og når de i tillegg brukes med maksimal effekt og også på to kokesoner. Støyen opphører eller avtar når varmenivået reduseres.

Disse lydene er normale viftelyder

For riktig drift av det elektroniske systemet er det nødvendig å regulere temperaturen på koketoppen. Til dette formålet er koketoppen utstyrt med en kjølevifte. Den aktiveres for å redusere og regulere temperaturen på det elektroniske systemet. Viften kan også fortsette å gå etter at apparatet er slått av hvis den registrerte temperaturen på koketoppen fortsatt er for varm etter at den er slått av.

Rytmiske lyder, lik den tikkende lyden av en klokke

Denne støyen oppstår bare når minst tre kokesoner er i drift, og forsvinner eller svekkes når noen av dem er slått av.

Støyen som beskrives er et normalt element i induksjonsteknologien og skal ikke betraktes som feil.

Vedlikehold og rengjøring

⚠ ADVARSEL! Sku av apparatet og vent til det kjøler seg ned før du kobler det fra.

⚠ ADVARSEL! Sku av apparatet og vent til det kjøler seg ned før du rengjør det.

⚠ ADVARSEL! Av sikkerhetsårsaker må du ikke rengjøre apparatet med dampvaskere eller høytrykksspylere.



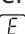



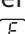
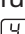
⚠ ADVARSEL! Skarpe gjenstander og sterke rengjøringsmidler skader apparatet. Rengjør apparatet og fjern restene med vann og oppvasksåpe etter hver gangs bruk. Fjern også restene av rengjøringsmiddel!

i Permanente skraper eller mørke flekker på det keramiske glasset påvirker ikke funksjonaliteten.

Fjerne restene og vanskelige flekker:

- Plast, rester av aluminiumsfolie og mat som inneholder sukker må fjernes øyeblikkelig. Det beste verktøyet for å rengjøre glassoverflater er en skraper (følger ikke med apparatet). Plasser skraperen vinklet mot glassoverflaten og fjern restene ved å skyve bladet over overflaten. Tørk av apparatet med en fuktig klut og litt oppvaskmiddel. Tørk så av apparatet med en ren klut.
- Avleiringer, fett og metalliske misfarginger skal fjernes når apparatet har kjølt seg ned. Bruk rengjøringsmiddel for glass eller rustfritt stål.

Feilsøking

Problem	Mulig årsak	Løsning
Apparatet fungerer ikke.	Strømbrydd eller kortslutning i boligen din.	
	Strømforsyningen til stikkkontakten er ikke utført på riktig måte.	Kontroller at strømforsyningen til koketoppen er koblet til riktig.
	Det har gått mer enn 10 sekunder siden apparatet ble skrudd på.	Skru apparatet av igjen.
	Barnesikringen er slått på.	Deaktiver barnesikringen. (Se avsnittet «Barnesikring»).
	Flere enn ett sensorfelt ble berørt samtidig.	Berør kun ett sensorfelt.
Apparatet slutter å fungere. Feilindikasjon:  → 	Kokekaret er ikke egnet for induksjon.	Bytt til et kokekar som fungerer med induksjon.
	Ingen kokekar på kokesonen eller kokekarets diameter er mindre enn 120 mm.	Plasser kokekaret i kokesonen.
Apparatet slutter å fungere. Feilindikasjon:  → 	Kokekaret er tomt (tørrkokt) eller matlagingstemperaturen er for høy.	Slå av apparatet og slå på igjen etter 5 minutter. Dersom E2 vedvarer, kontakt nærmeste IKEA-butikk.
	Luftinntaket og luftutslippet er blokkert.	
	Temperaturen rundt er for høy.	
Apparatet slutter å fungere. Feilindikasjon:  → 	Strømforsyningen er AC 275 V.	Bytt til en strømforsyning som passer til produktet.
Apparatet slutter å fungere. Feilindikasjon:  → 	Strømforsyningen har lavere spenning enn 100 V vekselstrøm.	Bytt til en strømforsyning som passer til produktet.

Apparatet slutter å fungere. Feilindikasjon: E → S	Apparatets temperatursensor fungerer ikke.	Kontakt nærmeste IKEA-butikk.
Apparatet slutter å fungere. Feilindikasjon: E → B		
Apparatet slutter å fungere. Feilindikasjon: E → U	Internt unntak	Slå av apparatet og slå på igjen etter 5 minutter. Kontakt nærmeste IKEA-butikk dersom EO vedvarer.

Feilmeldingen vises når koketoppen er slått på og en feil detekteres, E og tallet vises periodisk (1 sekund) om hverandre.

Dersom det er en feil, kan du prøve å løse den ved å følge instruksjonene for feilsøking. Dersom problemet ikke kan løses, kontakt din nærmeste IKEA-

butikk.

i Hvis du brukte apparatet feil, kan forhandleren nekte gratis utføring, selv under garantiperioden.

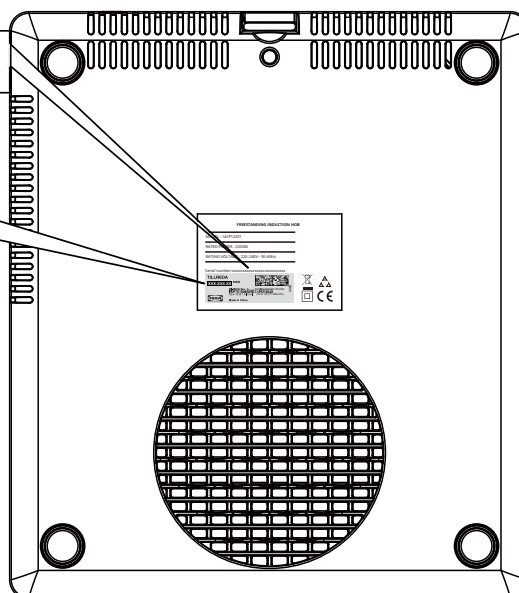
Tekniske data

Modell	14CP12301
Koketopptype	Frittstående induksjonstopp
Antall tilberedningssoner og/eller områder	1
Strømforsyning	2000 W
Spenning	220–240 V~
Frekvens	50–60 Hz
Dybde	305 mm
Bredde	270 mm
Høyde	62 mm
Nettvekt	2,33 kg

Serienummer (starter med SN, 22-sifret kode)

Serienummer: xxxxxxxxxxxxxxxxxxxxxxxxx

Varenummer (8-sifret kode)




Bildet er kun for referanse

Energieffektiv

Modellidentifisering	14CP12301
Koketopptype	Portabelt apparat
Antall kokesoner	1
Varmeteknologi	Induksjon
Diameter på runde matlagingssoner (Ø)	170 mm
Energiforbruket per kokesone (EC elektrisk tilberedning)	184 Wh/kg
Energiforbruket til koketoppen (EC elektrisk koketopp)	184 Wh/kg
Produktinformasjon for strømforbruk og tid til å nå gjeldende lavstrømsmodus	avslått: 0,5 W
Maksimal tid som trengs for å nå den gjeldende lavstrømsmodusen	5 sekunder
Direktiv 2009/125/EF, KOMMISJONSFORORDNING (EU) nr. 66/2014, EN 60350-2:2018+A1:2021.	

Miljøinformasjon


Avhending av husholdningsapparater

Symbolet  på produktet eller emballasjen viser at produktet ikke kan avhendes som husholdningssøppel. Det må leveres inn på en miljøstasjon som tar imot elektrisk og elektronisk utsyr. Ved å sikre at produktet avhendes på riktig måte, bidrar du til å beskyttet miljøet og menneskers helse mot skadelige konsekvenser, som kan oppstå hvis produktet kastes på feil måte. For mer detaljert informasjon om resirkulering av dette produktet, kan du kontakte de lokale myndighetene, den lokale miljøstasjonen eller butikken der du kjøpte produktet.

⚠ ADVARSEL! Følg disse trinnene for å kaste apparatet:

- Trekk støpselet ut av stikkontakten.
- Kutt hovedledningen og kast den.

Avhending av emballasjemateriell

Emballasje med symbolet  kan resirkuleres. Kast emballasjen i en passende beholder når den resirkuleres.

Energisparing

- Hvis det er mulig, bør du alltid legge lokk på grytene.
- Plasser kokekaret på kokesonen før du skrur den på.
- Undersiden av kokekaret skal være så tykt og flatt som mulig.

IKEA-garanti

Hvor lenge er IKEA-garantien gyldig?

Denne garantien er gyldig i 2 år fra den opprinnelige kjøpsdatoen da du kjøpte apparatet ditt hos IKEA, med mindre annet fremgår av nasjonal lovgivning. Gå til IKEA.com for å finne ut hva som gjelder i landet ditt.

Den opprinnelige kvitteringen kreves som kjøpsbevis. Dersom servicearbeid utføres i garantiperioden, vil dette ikke forlenge apparatets garantiperiode.

Hvem skal utføre servicen?

Kontakt nærmeste IKEA-butikk.

Hva dekker denne garantien?

Garantien dekker feil med apparatet, som har blitt forårsaket av feil konstruksjon eller materialfeil fra kjøpsdatoen hos IKEA.

Denne garantien gjelder kun for husholdningsbruk. Unntakene er spesifisert under overskriften «Hva dekkes ikke av denne garantien?» Innenfor garantiperioden dekkes kostnadene for å utbedre feilen, dvs. reparasjoner, deler, arbeid og reise dekkes. Dette så fremt apparatet er tilgjengelig for reparasjon uten spesielle utgifter. Delene som skiftes ut tilfaller IKEA.

Hva gjør IKEA for å løse problemet?

IKEA undersøker produktet og avgjør etter eget skjønn om det dekkes av denne garantien. Hvis IKEA mener at skaden dekkes, vil de så etter eget skjønn enten reparere det defekte produktet eller erstatte det med et identisk eller tilsvarende produkt.

Hva dekkes ikke av denne garantien?

- Normal bruksslitasje.
- Forsettlige skader eller skader forårsaket av skjødesløshet, skader grunnet manglende overholdelse av bruksinstruksjonene, feil montering eller tilkobling av feil spenning, skader fra kjemiske eller elektrokjemiske reaksjoner, rust, eller korrodering, vannskader, inkludert, men ikke begrenset til skader forårsaket av for høyt kalkinnhold i vannforsyningen, og skader forårsaket av unormale forhold i omgivelsene.
- Forbruksdeler, inkludert batterier og lamper.

- Funksjonsfrie og dekorative deler som ikke påvirker normal bruk av apparatet, inkludert skraper og eventuelle fargeforskjeller.
- Tilfeldige skader forårsaket av fremmedlegemer eller kjemiske substanser, rengjøring av og fjerning av blokkeringer fra filtre, avløpssystemer og såpeskuffer.
- Skade på følgende deler: keramisk glass, tilbehør, servise- og bestikk-kurver, tilførsels- og avløpsrør, pakninger, lamper og lampedeksler, display, knotter, innfatninger og deler av innfatninger. Med mindre det kan bevises at slike skader skyldes produksjonsfeil.
- Reparasjoner som ikke er utført av autoriserte serviceleverandører og/eller en autorisert servicepartner eller dersom det ikke er blitt brukt originale deler.
- Reparasjoner som forårsakes av montering som er feil eller ikke utføres i samsvar med spesifikasjonene.
- Bruk av apparatet utenfor hjemmet, altså profesjonell bruk.
- Transportskader. Hvis kunden transporterer apparatet hjem til seg eller til en annen adresse, er IKEA ikke ansvarlig for skader som oppstår under transporten. Men hvis IKEA leverer produktet til kundens leveringsadresse, dekker IKEA skader på produktet som oppstår under denne transporten.
- Kostnaden for å utføre den opprinnelige monteringen av IKEA-produktet. Dersom en servicetilbyder utnevnt av IKEA eller deres autoriserte servicepartner reparerer eller bytter apparatet i samsvar med denne garantien, vil den utnevnte servicetilbyderen eller deres autoriserte servicepartner reinstallere det reparerte apparatet eller installere erstatningen, hvis nødvendig.

Bruk av nasjonale lover

IKEAs garanti gir deg bestemte juridiske rettigheter, som dekker eller overgår de juridiske lokale kravene. Men disse forholdene påvirker på ingen måte forbrukerens rettigheter som disse er beskrevet i lokale lover.

Gyldighetsområde

For apparater som er kjøpt i et EU-land og tas til et annet EU-land, vil service leveres innenfor rammeverket til normale avtalebetingelsene i det nye landet. En forpliktelse om å utføre service innenfor rammeverket eksisterer kun dersom apparatet samsvarer med og er installert i henhold til:

- de tekniske spesifikasjonene i landet hvor garantikravet gjøres;
- monteringsinstruksjonene og sikkerhetsinformasjonen i brukermanualen.

ETTERSALG for IKEA-apparater

Nøl ikke med å kontakte IKEA for å:

- utføre en serviceforespørsel under denne garantien.
- be om avklaring om funksjonene til IKEA-apparater.

For at vi skal kunne gi best mulig hjelp, må du lese monteringsinstruksjonene og brukerhåndboken før du kontakter oss.

Slik når du oss hvis du trenger service



Hvis du kontakter IKEAs ettersalg-kundesenter hjelper de deg med grunnleggende feilsøking for apparatet ditt. Les IKEA-katalogen eller besøk www.ikea.com for å finne telefonnummer og åpningstider for din lokale IKEA-butikk.

Du bør også ha det 8-sifrede IKEA-varenummeret tilgjengelig for å få raskere service. Du finner dette på informasjonsplaten til apparatet.

TA VARE PÅ KVITTERINGEN!

Den er din kjøpsdokumentasjon og er nødvendig for at garantien skal gjelde. Kvitteringen inneholder også IKEA-navnet og -varenummeret (8 sifret kode) for alle apparatene du har kjøpt.

Trenger du ekstra hjelp?

Hvis du har spørsmål som ikke er knyttet til ettersalg av apparatene, kan du kontakte nærmeste IKEA-kundesenter. Vi anbefaler at du leser dokumentasjonen for apparatet nøye for du kontakter oss.

Sisältö

Turvallisuustiedot	98	Hoito ja puhdistus.....	106
Turvallisuusohjeet.....	99	Vianmääritys.....	106
Tuotteen kuvaus.....	101	Tekniset tiedot.....	107
Ilmaisimet	102	Energiatehokkuus.....	108
Päivittäinen käyttö	103	Ympäristönsuojelu.....	108
Keittotaso.....	104	IKEA-takuu	109
Keittoastioita koskevat ohjeet.....	104		

Turvallisuustiedot

① Lue tämä opas huolellisesti ennen tuotteen asennusta ja käyttöä oman turvallisuutesi ja laitteen oikean toiminnan takaamiseksi. Pidä nämä ohjeet aina laitteen mukana, vaikka siirtäisit laitteen toiseen paikkaan tai myisit sen. Käyttäjien on tutustuttava laitteen käyttö- ja turvallisuusominaisuuksiin perusteellisesti.

Oikea käyttö

- Älä jätä laitetta ilman valvontaa sen käytön aikana.
- Laite on tarkoitettu vain kotikäyttöön.
- Laite on tarkoitettu vain sisäkäyttöön.
- Laitetta ei saa käyttää työtasona, eikä sen päällä saa säilyttää mitään tavaroita.
- Älä aseta syttyviä nesteitä, helposti syttyviä materiaaleja tai sulavia materiaaleja (kuten muovikalvoa, muovia tai alumiinia) laitteeseen tai sen lähettyville tai säilytä niitä laitteessa tai sen lähettyvillä.
- Noudata varovaisuutta, kun liität sähkölaitteen pistorasiaan. Älä anna johdon joutua kosketuksiin laitteen tai kuumien keittoastioiden kanssa tai jäädä puristuksiin niiden alle.
- Tapaturmien ja laitteen vioittumisen ehkäisemiseksi laitetta ei saa yrittää korjata itse. Ota aina yhteyttä lähimpään IKEA-myymälään.

Lasten ja haavoittuvassa asemassa olevien henkilöiden turvallisuus

- Yli 8-vuotiaat lapset ja henkilöt, joiden fyysiset, henkiset ja aistinvaraiset

ominaisuudet ovat heikentyneet, tai joilla ei ole riittävää kokemusta tai tietoa, saavat käyttää tätä laitetta, jos heitä valvotaan tai heille on annettu ohjeet laitteen turvallisesta käytöstä, ja he ymmärtävät käyttöön liittyvät vaarat.

- Säilytä kaikki pakkausmateriaalit poissa lasten ulottuvilta. Niihin liittyy tukehtumisvaara.
- Pidä lapset poissa laitteen lähettyviltä, olipa laite käytössä tai ei.
- Alle 8-vuotiaat lapset on pidettävä poissa laitteen läheisyydestä, ellei heitä valvota jatkuvasti.
- Lapset eivät saa leikkiä laitteella. Lapset eivät saa puhdistaa laitetta tai tehdä sille käyttäjän huoltotoimia ilman valvontaa.

⚠ VAROITUS! Ota lapsilukko käyttöön, jotta pienet lapset tai lemmikkieläimet eivät kytke laitetta vahingossa päälle.

Yleinen turvallisuus

- Pidä laitteen kotelon ja sisäisen rakenteen ilmanvaihtoaukot esteettöminä.
- Tapaturmien ehkäisemiseksi paneelia ei saa koskettaa jälkilämmön merkkivalon edelleen palaessa.
- Älä työnnä induktiolieden sisään mitään esineitä käytön aikana, jotta välttäisit sähköiskun.
- Kuristumisvaaran ehkäisemiseksi virtajohtoa ei saa kiertää kaulan ympärille.
- Laitetta ei saa puhdistaa höyrypuhdistimella.
- Älä aseta keittotason päälle mitään metallisia esineitä, kuten veitsiä, haarukoita, lusikoita tai kansia, sillä ne voivat kuumentua.

- Kytke keittotasoa käytön jälkeen pois päältä säätimien avulla, älä luota keittoastian tunnistimeen.
- Laitetta ei ole tarkoitettu käytettäväksi ulkoisen ajastimen tai erillisen kauko-ohjaimen avulla.
- Varo koskettamasta lämpövastusta.
- Vaaran välttämiseksi vahingoittunut virtajohto on vaihdettava valmistajan, valtuutetun huoltoliikkeen tai muun pätevän henkilön toimesta. Ota yhteys lähimpään IKEA-myymälään.
- Tämä laite on tarkoitettu käytettäväksi kotona tai vastaavissa paikoissa, kuten:
 - henkilöstökeittiöissä kaupoissa, toimistoissa ja muissa työympäristöissä;
 - maataloilla;
 - asiakaskäyttöön hotelleissa, motelleissa ja muissa;
 - aamiaismajoitusta tarjoavissa tiloissa.

⚠️ HUOMIO: kuuma pinta. Pinnat voivat kuumeta käytön aikana.

⚠️ VAROITUS! Jos pinnassa on halkeamia, kytke laite pois päältä sähköiskuvaaran ehkäisemiseksi. Ota yhteys lähimpään IKEA-myymälään.

⚠️ VAROITUS! Laite ja sen käsiteltävät osat kuumenevat käytön aikana.

⚠️ VAROITUS! Rasvaa tai öljyä sisältävien ruokien liedelle vartioimatta jättäminen voi olla vaarallista ja aiheuttaa tulipalon. ÄLÄ KOSKAAN yritä sammuttaa tulipaloa vedellä vaan kytke laite pois päältä ja peitä liekit esimerkiksi kannella tai sammutuspeitolla.

Turvallisuusohjeet

Asennus

- Valmistaja ei ole vastuussa mistään seuraavien vaatimusten noudattamisen laiminlyönnistä johtuvista henkilö- ja lemmikkieläinvahingoista tai omaisuusvahingoista.

⚠️ HUOMIO! Katso Turvallisuu tiedot ennen kuin jatkat asennusta.

⚠️ VAROITUS! Asennuksessa on noudatettava käyttömaassa vallalla olevia lakeja, määräyksiä, direktiivejä ja standardeja (sähköturvallisuuteen liittyvät säännöt ja määräykset, asianmukainen kierrätys määräysten mukaisesti jne.)!

- Älä asenna laitetta ovien läheisyyteen tai ikkunoiden alle, sillä kuumat keittoastiat voivat pudota liedeltä, kun ovia ja ikkunoita avataan.
- Varmista, ettei laite ole vahingoittunut kuljetuksen aikana. Älä kytke vahingoittunutta laitetta.
- Älä asenna laitetta, mikäli se on vahingoittunut kuljetuksen aikana.

- Älä liitä liettä jatkojohtoon tai sijoita liettä niin, että sen johto kulkee työtilojen poikki.
- Älä muuta tuotteen teknisiä ominaisuuksia tai muuntele tuotetta. Tähän liittyy tapaturma- ja laitteen vioittumisriski.

⚠️ VAROITUS! Noudata sähkökytkentäohjeita huolellisesti.

Sähkökytkennät

- Varmista ennen kytkennän tekemistä, että laitteen arvokilvessä annettu nimellisjännite vastaa käytettävissä olevaa syöttöjännitettä. Tarkista myös laitteen nimellisteho, ja varmista, että kotitalouden sähköjärjestelmä on mitoitettu sopimaan laitteen nimellistehoon (katso kohta Tekniset tiedot).
- Arvokilpi sijaitsee lieden kotelon alaosassa.

⚠️ VAROITUS! Sähkövirran aiheuttama loukkaantumisvaara.

- Löysät tai epäasianmukaisesti tehdyt pistokkeen ja pistorasian väliset liitännät voivat ylikuumentaa liitintä.

Ennen käyttöä:

Lue seuraavat ohjeet ennen käyttöä.

- Käytä tavallista sähköverkkoon liitettyä pistorasiaa ja tarkista pistorasian kunto säännöllisesti vahinkojen estämiseksi.
- Älä avaa laitetta itse tai anna epäpätevän henkilön avata sitä. Korjauta laite aina valtuutetussa huoltoliikkeessä tai vastaavalla ammattitaitoisella henkilöllä.
- Tarkista virtajohto ja pistoke. Älä käytä laitetta, jos sen virtajohto tai pistoke on vahingoittunut. Älä irrota pistoketta märillä käsillä.
- Älä käytä jatkojohtoa ja kytke laite vain suoraan sähköverkkoon liitettyyn pistorasiaan.
- Jos laitetta ei ole käytetty pitkään aikaan, kytke se ensin päälle 10 minuutiksi elektronisten osien vakauttamiseksi. Sen jälkeen voit aloittaa laitteen käytön.
- Älä käytä laitetta lähellä vettä, avotulta tai kosteita alueita. Laite on tarkoitettu VAIN kotitalouskäyttöön sisätiloissa.
- Poista kaikki pakkausmateriaali, tarrat ja kalvot laitteesta ennen ensimmäistä käyttökertaa.
- Kytke keittotasoa pois päältä ohjainpainikkeiden avulla jokaisen käyttökerran jälkeen; älä turvaudu kattiloiden ja pannujen automaattiseen tunnistukseen.
- Palovammavaara! Älä aseta metallisia esineitä, kuten veitsiä, haarukoita, lusikoita tai kattilan kansia liedelle, sillä ne kuumenevat.

⚠ VAROITUS! Tulipalovaara!
Ylikuumentuneet rasvat ja öljyt syttyvät herkästi palamaan.

⚠ VAROITUS! Käyttäjien, joilla on implantoitu sydämentahdistin, on pidettävä ylävartalonsa vähintään 30 cm:n etäisyydellä päälle kytketystä keittotasosta.

⚠ VAROITUS! Älä käytä laitetta märillä käsillä ja pidä ohjauspaneelin pinta kuivana. Ohjauspaneelin painikkeet menevät epäkuntoon, jos ne altistetaan suurelle määrälle vettä.

⚠ VAROITUS! Jos pinnassa on halkeamia, kytke laite pois päältä sähköiskuvaaran ehkäisemiseksi.

Käytön aikana ja sen jälkeen:

Lue seuraavat ohjeet tulipalon ja tapaturmien ehkäisemiseksi.

- Aseta laite VAIN tasaiselle ja kiinteälle pinnalle.
- Lapsia on valvottava, jotta he eivät leiki laitteella.
- Älä laita seuraavia materiaaleja tai esineitä tason päälle, kun laite on toiminnassa.
 - a) Ruostumaton teräs
 - b) Rauta
 - c) Valurauta
 - d) Alumiini
 - e) Kannet ja emali
 - f) Veitsi, haarukka tai lusikka
 - g) Raudasta, ruostumattomasta teräksestä, valuraudasta tai alumiinista valmistettu astia
 - h) Tyhjä keittoastia
- Älä kanna tai siirrä laitetta, jos sen päällä on keittoastia lämpenemässä.
- Varmista tilan hyvä ilmanvaihto lämmityksen aikana.
- Älä työnnä mitään johtoja tai metalliesineitä laitteen ilmanotto- tai -ulostuloaukkoihin.
- Paneelin suojaaminen.
 - a) Älä pudota paneelille mitään painavia esineitä.
 - b) Älä kaada paneelille vettä, happoa tai muita nesteitä.
 - c) Älä sytytä paneelille avotulta.
 - d) Älä aseta mitään kuumaa keittoastiaa tason päälle, jos laite ei ole käytössä.
 - e) Jos pinta (paneeli) on rikkoutunut, sammuta laite välittömästi sähköiskujen välttämiseksi ja ota yhteyttä lähimpään IKEA-myymälään.
 - f) Jotkin keittoastiat saattavat tuottaa ääntä käytön aikana. Ääni saattaa hiljetä tai lakata kokonaan, kun keittoastiaa siirretään hieman. Jos näin ei käy, vaihda keittoastiaa.

- Älä aseta laitetta maton, liinan tai paperimateriaalin päälle, kun laite on toiminnassa.
- Älä kosketa paneelia, kun se on kuuma. Paneeli on kuuma niin kauan kuin jälkilämmön merkkivalo palaa, vaikka laite olisi sammuksissa.
- Älä irrota laitteen pistoketta johdosta vetämällä.
- Kytke laite pois päältä ja anna sen jäähtyä ennen kuin irrotat pistokkeen pistorasiasta. Irrota virtajohto pistorasiasta, jos ei laitetta ei tulla käyttämään pitkään aikaan.
- Pidä keittoastia etäällä laitteesta käytön jälkeen.

Laitteen vaurioitumisen välttäminen

- Keraaminen lasi voi vaurioitua sen päälle putoavien esineiden tai keittoastioiden aiheuttamien kolhujen seurauksena.
- Valuraudasta ja -alumiinista valmistetut ja pohjasta vaurioituneet keittoastiat voivat naarmuttaa keraamista lasia, kun niitä siirretään liedon pintaa myöten.

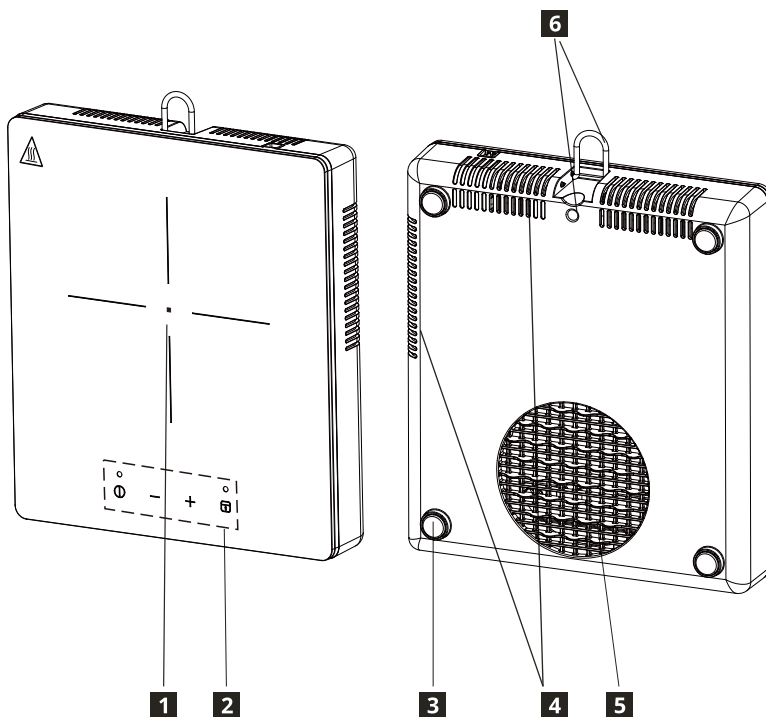
- Keraaminen lasi voi vaurioitua myös lattialle tippumisen seurauksena.
- Älä anna kattiloiden tai pannujen kiehua tyhjiksi keittoastioiden ja keraamisen lasin vaurioitumisen ehkäisemiseksi.
- Älä käytä keittotasoa tyhjiällä keittoastioilla tai ilman keittoastioita.
- Älä koskaan päällystä mitään laitteen osaa alumiinifoliolla. Älä koskaan aseta laitteen päälle tai sisään muovia tai muuta materiaalia, joka voi sulaa.

⚠ VAROITUS! Pidä tuote kytkettynä pistorasiaan käytön jälkeen, kunnes tuuletin ja lämmönilmaisimet ovat sammuneet.

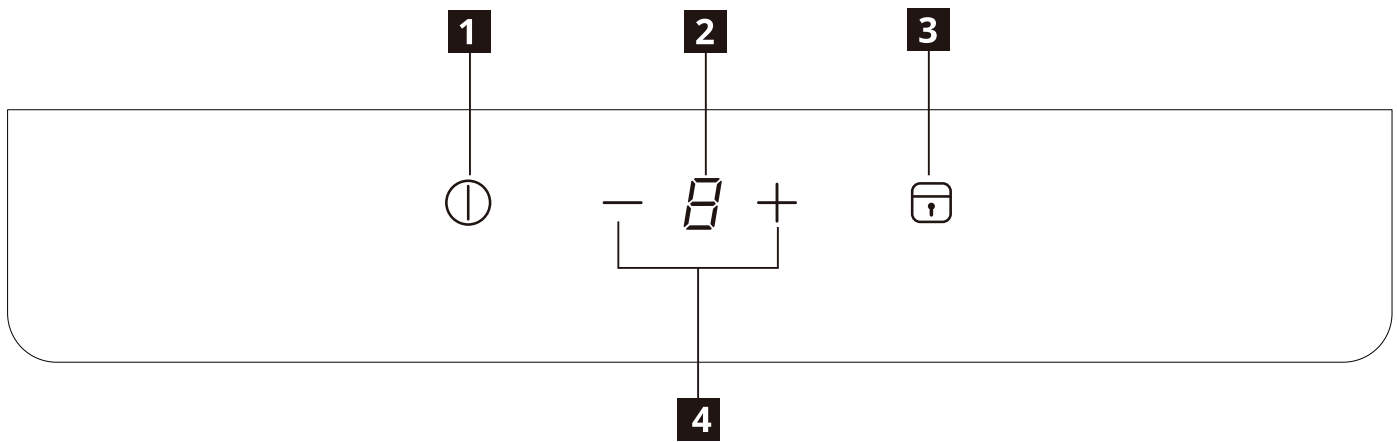
Tietoa akryyliamideista

Tärkeää! Viimeaikaisten tieteellisten tutkimusten mukaan erityisesti tärkkelyspitoisten ruokien voimakas ruskistaminen voi aiheuttaa akryyliamideista johtuvan terveysriskin. Suosittelemme tämän vuoksi ruoan kypsentämistä mahdollisimman alhaisessa lämpötilassa ja liiallisen ruskistamisen välttämistä.

Tuotteen kuvaus



- 1** Lämpöalue
Keittoalue 170 mm, 2000 W
- 2** Käyttöpaneeli
- 3** Silikonijalat
- 4** Ilman ulostuloaukko
- 5** Ilmanottoaukko
- 6** Ripustuskoukku



Käyttöpaneelin kuvaus

- 1** Päälle / pois päältä **3** Lukko/lapsilukko
2 Tehotason näyttö **4** Tehotason asettaminen -/+

Kosketuspainikkeet ja näytöt

Keittotasoa käytetään kosketuspainikkeita koskettamalla.

Laitte vahvistaa uuden toiminnon valitsemisen näyttömerkintöjen ja äänimerkkien (lyhyt piippaus) avulla.

Tehotaso	1	2	3	4	5	6	7	8	9
Teho	150 W	250 W	300 W	450 W	600 W	800 W	1100 W	1500 W	2000 W

Ilmaisimet

⚠ Astia on väärin asetettu tai sitä ei ole

Symboli ilmestyy, jos astia ei sovellu induktioliedelle, sitä ei ole asetettu oikein tai sen koko ei vastaa valitun keittoalueen kokoa. Jos astiaa ei tunnisteta 30 sekunnin kuluessa valinnan jälkeen, keittoalue kytkeytyy pois päältä.

H Jälkilämpö

Jos näytössä näkyy "H", keittoalue on vielä kuuma. Näyttö sammuu, kun keittoalue jäähtyy.

⚠ VAROITUS! Jälkilämmön aiheuttama palovammavaara! Kun laite sammutetaan, keittoalueet tarvitsevat aikaa jäähtyäkseen kunnolla. Pidä silmällä jälkilämmön merkkivaloa **H**.

Jälkilämpöä voi käyttää ruoan sulattamiseen ja lämpimänä pitämiseen. Älä kytke laitetta irti ennen kuin merkintä **H** on poistunut näytöstä.

Päivittäinen käyttö



Pistorasiaan kytkeminen

1. Kun pistoke on kytketty sähköverkkoon, lapsilukko aktivoituu. Poista lukitus pitämällä lapsilukkopainike painettuna kolmen sekunnin ajan.

Päälle / pois päältä

1. Kun PÄÄLLE / POIS PÄÄLTÄ-painiketta painetaan, näytöllä näkyy valmiustilan merkinä "0" ja virran merkkivalo syttyy. Jos lämpöasetusta ei valita 30 sekunnin sisällä, keittotaso kytkeytyy automaattisesti pois päältä ilman PÄÄLLE / POIS PÄÄLTÄ-painikkeen painamista.
2. Paina PÄÄLLE / POIS PÄÄLTÄ-painiketta käytön aikana sammuttaaksesi keittotason.



Tehotason asettaminen

1. Voit vaihtaa tehotasoa käytön aikana painamalla — tai +.
2. —-painiketta painettaessa tehotaso siirtyy suoraan arvoon "9".
Säädä tehotasoa alaspäin arvojen "9" ja "1" välillä painamalla —-painiketta.
3. +-painiketta painettaessa tehotaso nousee ylöspäin tasosta "1".
Säädä tehotasoa ylöspäin arvojen "1" ja "9" välillä painamalla +-painiketta.



Lukitustoiminto

Voit lukita käyttöpaneelin keittotason ollessa toiminnassa esimerkiksi lieden puhdistamista varten. Se estää tehotason muuttamisen vahingossa. Keittotaso voidaan edelleen sammuttaa Päälle / pois päältä-näppäimellä.

Lukituksen kytkeminen päälle

1. Aseta haluttu tehotaso.
2. Pidä lukkopainiketta painettuna 3 sekunnin ajan. Toiminto on päällä, kun lukkopainikkeen merkkivalo palaa ja kuuluu merkkiääni.

Lukituksen poistaminen käytöstä

1. Pidä lukkopainiketta painettuna 3 sekunnin ajan. Toiminto on pois päältä, kun lukkopainikkeen merkkivalo sammuu ja kuuluu merkkiääni.
2. Tehotas palautuu edelliseen asetukseen.

Lapsilukkotoiminto

Ohjauspaneeli voidaan pitää lukittuna myös, kun keittotaso ei ole käytössä. Tämä toiminto estää laitteen tahattoman käytön.

Lapsilukon kytkeminen päälle

1. Aktivoi laite PÄÄLLE / POIS PÄÄLTÄ-painikkeen avulla. Älä aseta mitään tehotasoa.
2. Pidä lukkopainiketta painettuna 3 sekunnin ajan. Toiminto on päällä, kun lukkopainikkeen merkkivalo palaa ja kuuluu merkkiääni.
3. Passivoi laite PÄÄLLE / POIS PÄÄLTÄ-painikkeen avulla.

Lapsilukon poistaminen käytöstä

1. Pidä lukkopainiketta painettuna 3 sekunnin ajan. Toiminto on pois päältä, kun lukkopainikkeen merkkivalo sammuu ja kuuluu merkkiääni.

Automaattinen sammutus

Tämä toiminto sammuttaa keittotason automaattisesti, kun:

- Keittotaso on pois päältä.
- Jos et aseta tehotasoa 30 sekunnin kuluessa lieden päälle kytkemisestä.
- Jos et kytke keittotasoa pois päältä tai et vaihda tehotasoa 2 tunnin kuluttua tai jos keittotaso ylikuumenee (esim. keittoastia kiehuu kuiviin).

Keittotaso


Lämpötilan asetus	Käyttötarkoitukset:	Aika (min)	Vinkkejä
1	• Pidä keitetty ruoka lämpimänä.	Tarpeen mukaan	Laita kansi keittoastian päälle.
1-2	• Hollandaisekastike, sulata: voi, suklaa, liivate.	5-25	Sekoita ajoittain.
2-3	• Hauduta riisiä ja maitopohjaisia ruokalajeja, lämmitä valmisaterioita.	25-50	Lisää ainakin kaksi kertaa enemmän nestettä kuin riisiä, sekoita maitopohjaisia ruokalajeja valmistuksen puoleen väliin saakka.
4-5	• Höyrytä vihanneksia, kalaa, lihaa, perunoita.	20-45	Lisää pieni määrä vettä.
	• Valmista suurempia määriä ruokaa, muhennoksia.	60-150	Lisää pieni määrä vettä.
5-6	• Hellävarainen kypsennys: vasikka cordon bleu, kotletit, pyörykät, makkarat, roux, munat.	Tarpeen mukaan	Käännä puolessa välissä.
7-8	• Röstit, pihvit.	5-15	Käännä puolessa välissä.
9	• Keitä vettä, keitä pastaa, ruskista lihaa (gulassi, patapaistit), uppopaista ranskalaisia perunoita.		

Keittoastioita koskevat ohjeet

Käytettävät astiat

Käytä vain kattiloita ja pannuja, joiden pohja on tehty ferromagneettisesta materiaalista ja jotka soveltuvat käytettäväksi induktiokeittotasojen kanssa:

- valurauta
- emaloitu teräs
- hiilliteräs
- ruostumaton teräs (ei kuitenkaan kaikki)
- alumiini, jossa on ferromagneettinen pinnoite tai ferromagneettinen levy

Näet kattilan tai pannun soveltuvuuden yleensä  -symbolista (painettu tavallisesti astian pohjaan). Voit myös kokeilla pysykö magneetti kiinni pohjassa. Jos se tarttuu kiinni, astia soveltuu induktiokeittotasolle.

Optimaalisen tehon saat, kun käytät kattiloita ja pannuja, joiden pohja on tasainen, jolloin lämpö jakaantuu tasaisesti. Pohjan epätasaisuus vaikuttaa sähkön- ja lämmönjohtavuuteen.

Käyttö

Kattilan/pannun pohjan vähimmäishalkaisija eri keittoalueilla

Keittotason moitteettoman toiminnan varmistamiseksi astian on peitettävä yksi tai useampi lieden pintaan merkityistä viitepisteistä ja astian läpimitan on oltava riittävän suuri.

Käytä aina keittoaluetta, joka vastaa parhaiten kattilan pohjan halkaisijaa.

Keittoalue	Suosittelu keittoastian halkaisija [mm]
Takana keskellä oleva keittoalue	120-180

Tyhjät tai ohutpohjaiset kattilat/pannut

Älä käytä tyhjiä tai ohutpohjaisia kattiloita/pannuja liedellä, koska laite ei silloin pysty tunnistamaan lämpötilaa tai kytketymään pois päältä automaattisesti, jos lämpötila on liian korkea. Tämä vahingoittaa pannua tai lieden pintaa. Jos näin tapahtuu, älä koske mihinkään vaan odota kaikkien komponenttien jäähtymistä.

Jos näkyviin tulee virheilmoitus, katso kohtaa "Vianmääritys".

Vinkkejä

Äänet käytön aikana

Kun keittoalue on päällä, se voi surista hetken aikaa. Tämä on kaikkien keraamisten keittoalueiden ominaisuus, eikä se vaikuta laitteen toimintaan tai sen käyttöikään. Ääni riippuu käytetystä keittoastiasta. Jos se aiheuttaa merkittävää häiriötä, keittoastian vaihtaminen voi auttaa.

Normaalit induktiolieden toiminnan aiheuttamat äänet

Induktiotekniikka perustuu sähkömagneettisten kenttien luomiseen lämmön tuottamiseksi suoraan keittoastioiden pohjaan. Kattilat ja pannut voivat aiheuttaa erilaisia ääniä tai värinöitä riippuen niiden valmistustavasta.

Näitä ääniä kuvataan seuraavasti:

Vähäinen surina (kuin muuntaja)

Tämä ääni syntyy valmistettaessa ruokaa korkealla lämmöllä. Se perustuu keittotasolta keittoastiaan siirtyvän energian määrään. Ääni lakkaa tai hiljenee, kun lämpötasoa alennetaan.

Hiljainen vihellys

Tämä ääni syntyy, kun keittoastia on tyhjä. Se lakkaa, kun astiaan laitetaan nesteitä tai ruokaa.

Rätinä

Muodostuu, kun käytetään erilaisista päällekkäisistä materiaaleista valmistettuja keittoastioita. Se johtuu eri materiaalien kohtaamis pintojen värähtelystä. Melua esiintyy keittoastioissa, ja se voi vaihdella ruoan tai nesteen määrän ja kypsennysmenetelmän (esim. keittäminen, hauduttaminen, paistaminen) mukaan.

Äänekäs vihellys

Tätä ääntä esiintyy erilaisista päällekkäisistä materiaaleista valmistetuilla keittoastioilla, kun niitä käytetään lisäksi suurimmalla teholla ja myös kahdella keittoalueella. Ääni lakkaa tai hiljenee, kun lämpötasoa alennetaan.

Nämä äänet ovat normaaleja tuuletinääniä

Elektronisen järjestelmän moitteettoman toiminnan varmistamiseksi on tarpeen säätää keittotason lämpötilaa. Tätä tarkoitusta varten keittotaso on varustettu jäähdytystuulettimella, joka aktivoituu elektronisen järjestelmän lämpötilan alentamiseksi ja säätämiseksi. Tuuletin voi jatkaa toimintaansa myös laitteen sammuttamisen jälkeen, jos keittotason havaittu lämpötila on edelleen liian kuuma sammuttamisen jälkeen.

Rytmikkäät äänet, jotka muistuttavat kellon tikitystä

Tätä ääntä esiintyy vain, kun vähintään kolme keittoaluetta on toiminnassa, ja se häviää tai heikkenee, kun osa niistä kytketään pois päältä. Kuvatut äänet ovat normaali osa induktiotekniikkaa, eikä niitä pidä pitää vikana.

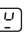

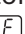

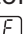

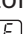
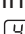
Hoito ja puhdistus

- ⚠ VAROITUS!** Sammuta laite ja anna sen jäähtyä ennen kuin kytket sen irti.
- ⚠ VAROITUS!** Sammuta laite ja anna sen jäähtyä ennen laitteen puhdistamista.
- ⚠ VAROITUS!** Turvallisuussyistä laitetta ei saa puhdistaa höyrypuhdistimilla tai painepesureilla.
- ⚠ VAROITUS!** Terävät esineet ja hankaavat puhdistusaineet vahingoittavat laitetta. Puhdista laite ja poista ruoantähteet vedellä ja astianpesuaineella aina käytön jälkeen. Poista myös puhdistusainejäämät!
- ⓘ** Keraamisessa lasissa olevat naarmut ja tummat tahrat, joita ei voida poistaa, eivät vaikuta laitteen toimintaan.

Lian ja pinttyneen lian poistaminen:

- Sokerisen ruoan, muovin ja folion jäämät on poistettava heti. Paras työkalu lasipinnan puhdistukseen on kaavin (ei toimiteta laitteen mukana). Pitele kaavinta pienessä kulmassa keraamiseen lasipintaan nähden ja poista lika liu'uttamalla terää pintaa pitkin. Pyyhi laite kostealla liinalla ja pienellä määrällä astianpesuainetta. Kuivaa laite lopuksi puhtaalla liinalla.
- Kalkki, vesirenkaat, rasvaroiskeet ja metallimaiset kiiltävät läiskät tulee poistaa keraamiselle lasille tai ruostumattomalle teräkselle tarkoitettulla puhdistusaineella, kun laite on jäähtynyt.

Vianmääritys

Ongelma	Mahdollinen syy	Ratkaisu
Laite ei toimi.	Kodissasi on tapahtunut sähkökatko tai oikosulku.	
	Laitetta ei ole liitetty pistorasiaan oikein.	Tarkista virtalähteen ja keittotason väliset liitännät.
	Laitteen päälle kytkemisestä on kulunut yli 10 sekuntia.	Kytke laite uudelleen päälle.
	Lapsilukko on kytketty päälle.	Kytke lapsilukko pois päältä. (Katso osio "Lapsilukko").
	Useita painikkeita kosketettiin samanaikaisesti.	Kosketa vain yhtä painiketta kerrallaan.
Laite lopettaa toiminnan. Virheilmoitus:  → 	Keittoastia ei sovellu induktioon.	Käytä induktioon sopivaa keittoastiaa.
	Ei keittoastiaa keittoalueella tai keittoastian halkaisija on alle 120 mm.	Aseta keittoalueelle keittoastia.
Laite lopettaa toiminnan. Virheilmoitus:  → 	Keittoastia on tyhjä (kiehunut tyhjäksi) tai lämpötila liian korkea.	Kytke laite pois päältä ja kytke takaisin päälle 5 minuutin kuluttua. Jos E2 ei häviä, ota yhteyttä lähimpään IKEA-myymälään.
	Ilmanottoaukko tai ulostuloaukko on tukossa.	
	Ympäristön lämpötila on liian korkea.	
Laite lopettaa toiminnan. Virheilmoitus:  → 	Sähkövirta ylittää arvon AC 275 V.	Vaihda virtalähde sopivampaan.
Laite lopettaa toiminnan. Virheilmoitus:  → 	Sähkövirta on alle arvon AC 100 V.	Vaihda virtalähde sopivampaan.

Laite lopettaa toiminnan. Virheilmoitus: [E] → [5]	Laitteen lämpötila-anturi ei toimi.	Ota yhteys lähimpään IKEA-myymälään.
Laite lopettaa toiminnan. Virheilmoitus: [E] → [6]		
Laite lopettaa toiminnan. Virheilmoitus: [E] → [0]	Sisäinen poikkeus	Kytke laite pois päältä ja kytke takaisin päälle 5 minuutin kuluttua. Jos EO ei häviä, ota yhteyttä lähimpään IKEA-myymälään.

Virhekoodi näkyy, kun liesi on päällä ja virhe tunnistetaan. E ja numerot näkyvät hetken (1 sekunnin) ja kiertävät näytössä.

Jos laitteen käytössä ilmenee vikaa, yritä ensin selvittää ongelma itse vianmääritysohjeiden avulla. Jos ongelma ei ratkea, ota yhteyttä lähimpään IKEA-

myymälään.

ⓘ Jälleenmyyjä ei takuuajanakaan huolla laitetta ilman lisämaksua, jos laitetta on käytetty väärin.

Tekniset tiedot

Malli	14CP12301
Keittotason tyyppi	Vapaasti seisova induktiokeittotaso
Keittovyöhykkeiden ja/tai -alueiden määrä	1
Nimellisteho	2000 W
Nimellisjännite	220–240 V~
Nimellistaajuus	50–60 Hz
Syvyys	305 mm
Leveys	270 mm
Korkeus	62 mm
Nettopaino	2,33 kg

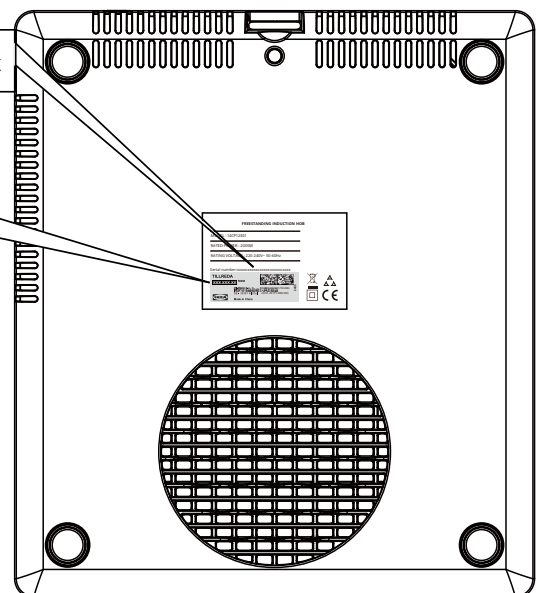
Sarjanumero (alkaa SN,
22-numeroinen koodi)

Sarjanumero: xxxxxxxxxxxxxxxxxxxxxxxx

Tuotteen numero
(8-numeroinen koodi)

XXX.XXX.XX

IKEA




Piirustus vain viitteellinen

Energiatehokkuus

Mallin yksilöinti	14CP12301
Keittotason tyyppi	Kannettava laite
Keittoalueiden määrä	1
Kuumennustekniikka	Induktio
Pyöreiden keittoalueiden halkaisija (Ø)	170 mm
Energiankulutus keittoaluetta kohden (EC electric cooking)	184 Wh/kg
Keittotason energiankulutus (EC electric hob)	184 Wh/kg
Tuotetiedot virrankulutuksesta ja ajasta, joka tarvitaan sovellettavan matalan virrankulutuksen tilan saavuttamiseen	pois päältä -tila: 0,5 W
Enimmäisaika, joka tarvitaan sovellettavan matalan virrankulutuksen saavuttamiseen	5 sekuntia
Direktiivi 2009/125/EY, KOMISSION ASETUS (EU) nro 66/2014, EN 60350-2:2018+A1:2021.	

Ympäristönsuojelu


Kodinkoneiden hävittäminen

Tuotteessa oleva merkintä  tarkoittaa, että tuotetta ei saa hävittää kotitalousjätteiden mukana. Toimita laite sähkö- ja elektroniikkaromun keräys- ja kierrätyspisteeseen. Tuotteen oikein hävittämällä autat estämään mahdollisia negatiivisia ympäristö- ja terveysvaikutuksia, joita virheellinen jätteenkäsittely voi aiheuttaa. Lisätietoa tämän tuotteen kierrättämisestä saat kunnanvaltuustostasi, jätehuoltoliikkeestäsi tai liikkeestä, josta ostit tuotteen.

⚠ VAROITUS! Suorita seuraavat toimet ennen laitteen hävittämistä:

- Irrota pistoke pistorasiasta.
- Leikkaa virtajohto irti ja hävitä se.

Pakkausmateriaalien hävittäminen

Merkinnällä  varustetut materiaalit ovat kierrätettävissä.

Kierrätä pakkaus hävittämällä se asianmukaiseen keräysastiaan.

Energiansäästö

- Peitä kattilat ja pannut kansilla aina, kun se on mahdollista.
- Aseta keittoastia keittotasolle jo ennen kuin kytket keittotason päälle.
- Keittoastian pohjan tulee olla mahdollisimman paksu ja tasainen.

IKEA-takuu

Kuinka kauan IKEA-takuu on voimassa?

Tämä takuu on voimassa 2 vuotta IKEA-myymästä hankitun laitteen alkuperäisestä ostopäivästä lähtien, ellei kansallisessa lainsäädännössä toisin säädetä. Käy osoitteessa IKEA.com ja katso omaa maatasi koskevat ehdot.

Todisteeksi vaaditaan alkuperäinen ostokuitti. Jos takuukauden aikana tehdään huoltotyö, se ei pidennä laitteen takuu-aikaa.

Kuka vastaa takuupalvelusta?

Ota yhteys lähimpään IKEA-myymäälään.

Mitä tämä takuu kattaa?

Takuu kattaa laitteessa esiintyvät viat, jotka ovat aiheutuneet valmistus- tai materiaalivirheistä IKEAsta ostopäivän jälkeen.

Tämä takuu koskee vain kotitalouskäyttöä. Poikkeukset on määritetty kohdassa "Mitä tämä takuu ei kata?" Takuu-aikana vian korjaamisesta aiheutuvat kustannukset, esim. korjaukset, varaosat, työ ja matkakulut, kuuluvat takuun piiriin sillä ehdolla, että laite on korjattavissa ilman erityiskuluja. Korvatuista osista tulee IKEAn omaisuutta.

Mitä IKEA tekee ongelman ratkaisemiseksi?

IKEA tarkistaa tuotteen ja päättää, omaan harkintaansa perustuen, onko kattaako takuu tuotteen. Mikäli näin on, IKEA oman harkintansa mukaan joko korjaa viallisen tuotteen tai vaihtaa sen uuteen samanlaiseen tai vastaavaan tuotteeseen.

Mitä tämä takuu ei kata?

- Normaalia kulumista.
- Normaalia kulumista. Tahallisia tai huolimattomuudesta aiheutuneita vahinkoja, käyttöohjeiden noudattamisen laiminlyömisestä, virheellisestä asennuksesta tai väärään jännitteeseen liittämistä aiheutuneita vahinkoja, kemiallisesta tai sähkökemiallisesta reaktiosta, ruosteesta, syöpymisestä tai vesivahingoista aiheutuneita vahinkoja, mukaan lukien, mutta näihin rajoittumatta, syöttöveden liiallisesta kalkkipitoisuudesta tai epänormaaleista ympäristöolosuhteista aiheutuneita vahinkoja.
- Kulutushyödykkeinä pidettäviä osia, kuten paristoja ja lamppuja.

- Ei-toiminnallisten ja koristeellisten osien vikoja, jotka eivät vaikuta kodinkoneen normaaliin käyttöön, esim. naarmuja ja värieroja.
- Vieraiden esineiden tai aineiden tai suodattimissa, tyhjennysjärjestelmissä tai pesuainelokeroissa olevien tukosten poistamisen tai kodinkoneen puhdistuksen aiheuttamia satunnaisia vahinkoja.
- Seuraavia osia koskevia vahinkoja: lasikeraaminen taso, varusteet, astia- ja ruokailuvälinekorit, vedenotto- ja tyhjennysletkut, tiivisteet, lamput ja lampun suojukset, näytöt, kytkimet, kuoret ja niiden osat. Tämä pätee, ellei näiden vahinkojen voida todistaa syntyneen valmistusvirheiden vuoksi.
- Muiden kuin nimettyjen palveluntarjoajien ja/tai valtuutetun huoltokumppanin tekemiä korjauksia tai korjauksia, joissa ei ole käytetty alkuperäisiä varaosia.
- Virheellisestä tai ohjeiden vastaisesta asennuksesta johtuneita korjauksia.
- Muussa kuin kotitalouskäytössä eli ammattimaisessa käytössä syntyneitä vikoja.
- Kuljetusvaurioita. Jos asiakas kuljettaa tuotteen kotiinsa tai muuhun osoitteeseen, IKEA ei vastaa kuljetuksen aikana mahdollisesti syntyvistä vahingoista. Jos IKEA kuitenkin toimittaa tuotteen asiakkaan toimitusosoitteeseen, IKEA (ei tämä takuu) vastaa toimituksen aikana tuotteelle syntyneistä vaurioista.
- Kustannuksia, jotka syntyvät IKEA-laitteen asentamisesta paikalleen. Jos IKEAn palveluntarjoaja tai valtuutettu huoltoliike korjaa tai vaihtaa laitteen tämän takuun ehtojen mukaisesti, palveluntarjoaja tai valtuutettu huoltoliike asentaa tarvittaessa korjatun laitteen uudelleen tai asentaa korvaavan laitteen.

Miten kansallista lakia sovelletaan?

IKEAn takuu antaa sinulle tiettyjä laillisia oikeuksia, jotka kattavat tai ylittävät kaikki paikallisen lainsäädännön vaatimukset. Nämä ehdot eivät kuitenkaan rajoita millään tavalla kuluttajansuojalaissa määritettyjä kuluttajan oikeuksia.

Voimassaoloalue

Palvelut laitteille, jotka on hankittu yhdessä EU-maassa ja siirretty toiseen EU-maahan, tuotetaan uuden maan normaalien takuehtojen mukaisesti. Palvelun suoritusvelvollisuus takuun rajoissa on olemassa vain, jos:

- laite vastaa sen maan teknisiä vaatimuksia, jossa takuuanomus tehdään;
- asennusohjeiden ja käyttöoppaan turvallisuusohjeiden mukaisesti.

IKEA-laitteiden HUOLTO

Ota yhteys IKEAan, kun:

- teet tämän takuun alaisen korvaushakemuksen;
- haluat pyytää lisäohjeita koskien IKEA-kodinkoneiden toimintoja.

Varmistaaksemme, että saat parhaan mahdollisen avun, pyydämme tutustumaan huolellisesti asennusohjeisiin ja/tai käyttöohjeisiin ennen yhteydenottoa.

Yhteydenotot palvelua tarvittaessa



IKEAn huoltopalvelu auttaa sinua puhelimitse laitteesi perusvianmäärityksessä. Paikallisen myymäläsi puhelinnumeron ja aukioloajat löydät IKEA-kuvastosta tai osoitteesta www.ikea.com.

Nopean palvelun takaamiseksi ilmoita aina laitteesi arvokilvessä oleva IKEAn tuotenumero (8-numeroinen koodi).

PIDÄ OSTOKUITTI TALLESSA!

Ostokuitti on ostotodistus, ja se vaaditaan takuuta varten. Lisäksi ostokuitissa on mainittu IKEA-tavaratalon nimi ja kunkin ostetun laitteen tuotenumero (8-numeroinen koodi).

Tarvitsetko lisäapua?

Jos sinulla on kysymyksiä, jotka eivät liity kodinkoneen huoltoon, ota yhteys IKEA-asiakaspalveluun. Ennen yhteydenottoa tutustu huolellisesti laitteen mukana tuleviin ohjekirjoihin.

Innehåll

Säkerhetsinformation	111	Skötsel och rengöring	119
Säkerhetsanvisningar	112	Felsökning.....	119
Beskrivning av produkten.....	114	Tekniska data.....	120
Indikeringar	115	Energieffektivitet.....	121
Daglig användning	116	Miljöhänsyn	121
Matlagningstabell.....	117	Garanti från IKEA.....	122
Vägledning för kokkärl.....	117		

Säkerhetsinformation

ⓘ För din säkerhet och för att produkten ska fungera korrekt bör du läsa denna bruksanvisning noggrant före installation och användning. Förvara alltid bruksanvisningen tillsammans med produkten, även om du flyttar eller säljer den. Den som använder apparaten måste känna till hur den ska användas och dess säkerhetsfunktioner.

Korrekt användning

- Lämna inte produkten oövervakad när den används.
- Produkten är endast avsedd för hushållsbruk.
- Produkten är endast avsedd för inomhusbruk.
- Produkten får inte användas som arbetsyta eller förvaringsyta.
- Placera inte brännbara vätskor, mycket lättantändliga material eller föremål som kan smälta (t.ex. plastfilm, plast, aluminium) på eller i närheten av produkten.
- Var försiktig när du ansluter andra elektriska apparater i eluttag i närheten. Låt inte strömkablar komma i kontakt med eller fastna under produkten eller heta köksredskap.
- Försök inte reparera produkten på egen hand för att undvika personskador och skador på produkten. Kontakta alltid närmaste IKEA-varuhus.

Säkerhet för barn och särskilt sårbara personer

- Barn från 8 års ålder och personer med nedsatt fysisk, sensorisk eller mental förmåga, eller bristande erfarenhet och

kunskap, kan använda produkten under uppsikt eller om de har fått instruktioner om hur produkten kan användas på ett säkert sätt och förutsatt att de förstår vilka faror det innebär.

- Håll allt förpackningsmaterial borta från barn. Kvävningsrisk föreligger.
- Se till att barn hålls på säkert avstånd från produkten både när den används och när den inte används.
- Barn under 8 år ska hållas på säkert avstånd om de inte är under ständig uppsikt.
- Barn får inte leka med produkten. Rengöring och underhåll ska inte utföras av barn utan uppsikt.

⚠ VARNING! Aktivera barnlåset för att undvika att små barn och husdjur oavsiktligt slår på produkten.

Säkerhetsföreskrifter

- Håll ventilationsöppningarna i produktens hölje och i den inbyggda strukturen fria från hinder.
- Vidrör inte panelen när indikatorn för restvärme fortfarande lyser – det kan orsaka personskador.
- Stoppa inte in föremål i induktionshällen medan den används för att undvika elektriska stötar.
- Linda aldrig sladden runt halsen för att undvika risk för strypning.
- Produkten får inte rengöras med ångrengörare.
- Metallföremål som knivar, gafflar, skedar och lock får inte placeras på hällens yta eftersom de kan bli heta.

- Använd reglaget för att stänga av hällens värmeelement efter användning. Förlita dig inte på kokkärlsdetektorn.
- Spisen är inte avsedd att styras med extern timer eller separat fjärrkontrollsystem.
- Var försiktig så att du inte vidrör värmeelementen.
- Om strömsladden är skadad måste den bytas ut av tillverkaren, ett auktoriserat servicecenter eller annan behörig person för att undvika fara. Kontakta närmaste IKEA-varuhus.
- Denna produkt är avsedd för användning i hushåll och liknande tillämpningar såsom:
 - personkök i butiker, kontor eller andra arbetsmiljöer;
 - lantgårdar;
 - av kunder på hotell, motell och andra boenden;
 - i bed and breakfast-boenden.

⚠ VAR FÖRSIKTIG: het yta – ytorna kan bli varma under användning.

⚠ VARNING! Om ytan är sprucken måste du stänga av produkten för att undvika risken för elstötar. Kontakta närmaste IKEA-varuhus.

⚠ VARNING! Produkten och dess åtkomliga delar hettas upp under användning.

⚠ VARNING! Att laga mat med fett eller olja på en häll utan uppsikt kan vara farligt och leda till brand. Försök ALDRIG att släcka brand med vatten – stäng i stället av produkten och täck över elden med t.ex. ett lock eller en brandfilt.

Säkerhetsanvisningar

Installation

- Tillverkaren bär inget ansvar för skador på personer eller husdjur eller skador på egendom som orsakas av att följande krav inte följs.

⚠ VAR FÖRSIKTIG! Se avsnittet Säkerhetsinformation för att fortsätta med installationen.

⚠ VARNING! Installationsprocessen måste följa de lagar, förordningar, direktiv och standarder (elektriska säkerhetsregler och förordningar, lämplig återvinning i enlighet med förordningar etc.) som gäller i det land där apparaten används!

- Installera inte produkten intill dörrar och under fönster, eftersom heta köksredskap kan slås omkull och falla ned från hällen om dörrar eller fönster öppnas.
- Se till att produkten inte skadas vid transport. Anslut aldrig en skadad produkt.
- Installera inte produkten om den har skadats under transport.

- Anslut inte hällen med förlängningssladdar och placera inte hällen där sladden korsar arbetsytor.
- Produktens specifikationer får inte ändras. Det kan medföra risk för personskada och skada på produkten.

⚠ VARNING! Följ noggrant instruktionerna för elanslutningar.

Elektriska anslutningar

- Kontrollera före anslutning att produktens nominella spänning, som anges på märkskylten, är densamma som den tillgängliga matningsspänningen. Kontrollera även produktens märkeffekt och se till att hemmets elektriska installation är anpassad för denna märkeffekt (se kapitlet Tekniska data).
- Märkskylten är placerad längst ned på hällens hölje.

⚠ VARNING! Risk för skada på grund av elektrisk ström.

- Lösa och olämpliga kontakter och anslutningar kan få kabelfästet att överhettas.

Innan användning:

Observera följande anvisningar innan användning.

- Använd ett vanligt vägguttag och kontrollera uttaget regelbundet för att förebygga skador.
- Produkten får inte öppnas av dig eller av en obehörig person. Produkten får endast repareras av en serviceagent eller liknande behörig tekniker.
- Kontrollera strömsladden och kontakten. Använd inte produkten om strömsladden och/eller kontakten är skadad. Dra inte ut sladden med blöta händer.
- Använd inte förlängningsladd och anslut endast till vanliga eluttag.
- Om produkten inte har använts under en längre tid bör du låta den vara påslagen i 10 minuter innan användning så att de elektroniska komponenterna stabiliseras. Därefter kan du börja använda produkten.
- Använd inte produkten i närheten av vatten, eld eller fuktiga områden. Produkten är ENDAST avsedd för användning inomhus.
- Ta bort allt förpackningsmaterial, alla klistermärken och all plastfilm innan produkten används för första gången.
- Använd reglagen för att stänga av matlagningszonerna efter varje användning. Förlita dig inte på kokkärlsdetektorn.
- Risk för brännskador! Placera inte föremål av metall, som knivar, gafflar, skedar och kastrullock på matlagningsytan, eftersom de kan bli heta.

⚠ VARNING! Brandrisk! Överhettat fett och olja kan väldigt lätt fatta eld.

⚠ VARNING! Användare med inopererade pacemakers bör hålla överkroppen minst 30 cm från påslagna induktionszoner.

⚠ VARNING! Använd inte produkten med blöta händer och håll kontrollpanelens yta torr. Mycket vatten på kontrollpanelens knappar gör att de inte fungerar.

⚠ VARNING! Om ytan är sprucken måste du stänga av produkten för att undvika risken för elstötar.

Vid och efter användning:

Observera följande anvisningar för att undvika brand och olyckor.

- Produkten får ENDAST placeras på en plan och stabil yta.
- Barn bör hållas under uppsikt så att de inte leker med produkten.
- Placera inte något av följande föremål på panelen när produkten används.
 - a) Rostfritt stål
 - b) Järn
 - c) Gjutjärn
 - d) Aluminium
 - e) Lock och emalj
 - f) Bestick
 - g) Tallrikar av järn, rostfritt stål, gjutjärn eller aluminium
 - h) Tomma kokkärl
- Flytta inte produkten med kokkärl på den när den är på.
- Se till att det är gott om ventilation runtomkring produkten när den värms upp.
- För inte in kablar eller metallföremål i produktens luftinlopp eller luftutsläpp.
- Underhåll av panelen.
 - a) Tappa aldrig tunga föremål på panelen.
 - b) Håll aldrig vatten, syra eller annan vätska på panelen.
 - c) Bränn aldrig något med eld på panelen.
 - d) Placera inga heta kokkärl ovanpå hällen när den inte används.
 - e) Om ytan (panelen) är sprucken ska du omedelbart stänga av hällen för att undvika elektriska stötar. Lämna in den till närmaste IKEA-varuhus.
 - f) Vissa kokkärl kan generera ljud under användning. Om detta sker kan du flytta kokkärlet något och se om ljudet försvinner eller minskar. Byt kokkärl om så inte är fallet.

- Placera inte hällen på en matta, trasa eller pappersmaterial medan den är i drift.
 - Ta inte på panelen när den är varm. Panelen fortsätter att vara varm tills indikatorn för restvärmen har släckts, även om strömmen är avstängd.
 - Koppla inte ur produkten genom att dra i sladden.
 - Stäng av produkten och låt den svalna innan du drar ur kontakten. Dra ur strömsladden om produkten inte ska användas under en längre tid.
 - Ställ inga kokkärl på produkten efter användning.
 - Glaskeramiken kan också skadas om den tappas på golvet.
 - För att undvika skada på kokkärl och glaskeramik måste man undvika att kastruller och stekpannor torrkokar.
 - Använd inte matlagingszonerna med tomma kokkärl eller utan kokkärl.
 - Täck aldrig någon del av produkten med aluminiumfolie. Placera aldrig plast eller annat smältbart material i eller på produkten.
- ⚠ **VARNING!** Låt strömsladden sitta kvar i eluttaget efter användning, tills fläkten och värmeindikatorn har stängts av.

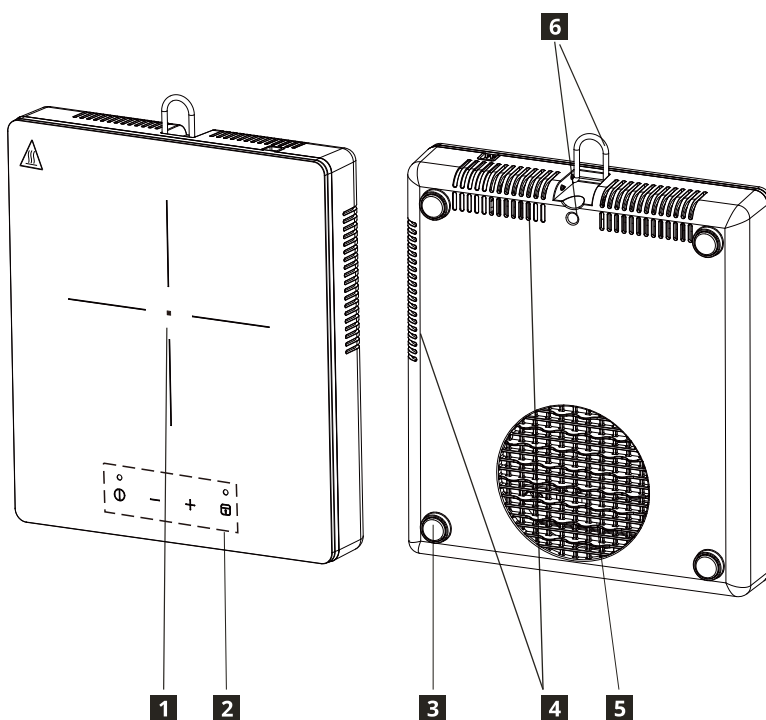
Så här undviks skador på produkten

- Glaskeramiken kan skadas om föremål tappas på den eller om kokkärl välts på den.
- Kokkärl gjorda av gjutjärn, aluminium eller med skadade bottenar kan repa glaskeramiken om de dras på ytan.

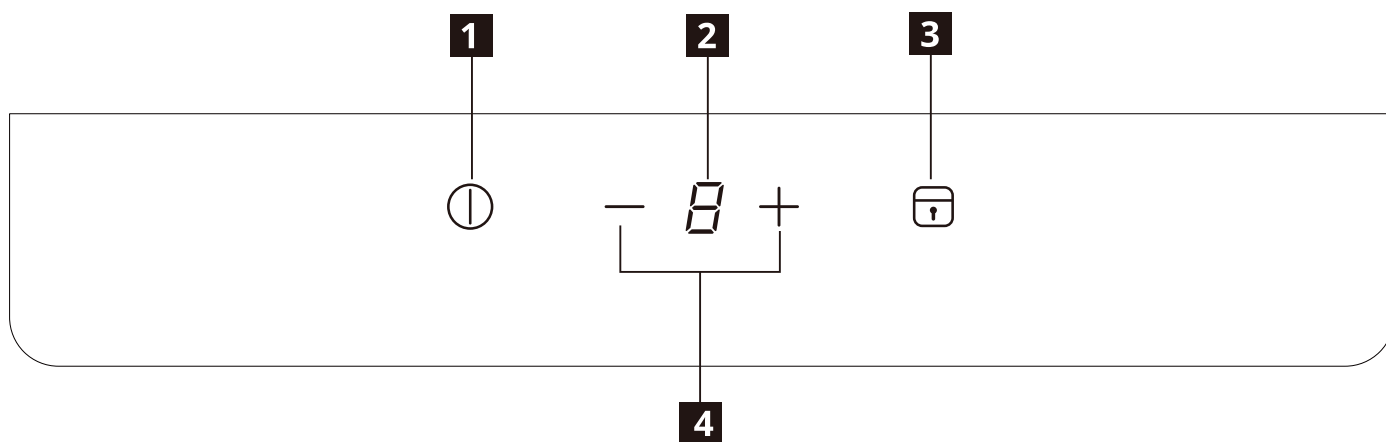
Information om akrylamider

Viktigt! Enligt den senaste forskningen kan mat som bryns för mycket (i synnerhet livsmedel som innehåller stärkelse) utgöra en hälsorisk på grund av akrylamider. Därför rekommenderar vi att använda lägsta möjliga temperatur vid matlagning och inte bryna maten för mycket.

Beskrivning av produkten



- 1** Uppvärmningsyta
Matlagingszon 170 mm,
2 000 W
- 2** Kontrollpanel
- 3** Silikonfötter
- 4** Luftutsläpp
- 5** Luftintag
- 6** Krokhängare



Kontrollpanelens layout

- 1** På/Av
- 2** Display för effektnivå
- 3** Lås/barnlås
- 4** Inställning av effektnivå -/+

Fält och displayer på peksensorn

Hällen styrs genom tryck på sensorfält.

Displayer och ljudsignaler (korta pip) bekräftar valet av en funktion.

Effektnivå	1	2	3	4	5	6	7	8	9
Effekt	150 W	250 W	300 W	450 W	600 W	800 W	1 100 W	1 500 W	2 000 W

Indikeringar

U Gryta felaktigt placerad eller saknas

Denna symbol visas om grytan inte är lämplig för användning på en induktionshäll, inte är korrekt placerad eller inte har en lämplig storlek för den valda matlagningszonen. Om ingen gryta detekteras inom 30 sekunder efter valet stängs matlagningszonen av.

H Restvärme

Om displayen visar "H" är matlagningszonen fortfarande varm. När matlagningszonen svalnar slocknar displayen.

⚠ VARNING! Risk för brännskador från restvärme! När produkten har stängts av behöver matlagningszonerna lite tid att svalna. Titta på restvärmeindikatorn **H**.

Använd restvärmen för smältning och för att hålla mat varm.

Dra inte ut sladden till produkten innan **H** har försvunnit från displayen.

Daglig användning



Anslutning till eluttag

1. När kontakten har satts in i ett eluttag aktiveras barnlåset. Håll barnlåsknappen intryckt i 3 sekunder för att inaktivera det.

På/Av

1. Tryck på PÅ/AV-knappen. "0" visas på displayen för att visa att hällen är i vänteläge. Effektindikeringen tänds. Om ingen värmeinställning väljs inom 30 sekunder stängs hällen av automatiskt utan att man behöver trycka på knappen PÅ/AV.
2. Om du trycker på PÅ/AV-knappen under användning stängs hällen av.



Inställning av effektnivå

1. Tryck på — eller + för att styra effektnivån under användning.
2. Tryck på — så går effektnivån direkt till "9". Tryck på — för att sänka effektnivån från "9" till "1".
3. Tryck på + så ökar effektnivån från "1". Tryck på + för att öka effektnivån från "1" till "9".



Låsfunktion

När matlagningszonen används kan du låsa kontrollpanelen för att till exempel rengöra hällen. Detta förhindrar att effektnivån ändras av misstag. Hällen kan fortfarande stängas av med hjälp av På/Av-knappen.

Aktivera låset

1. Ställ in önskad effektnivå.
2. Håll låsknappen intryckt i 3 sekunder. Funktionen aktiveras när låsknappens indikering tänds och ett ljud hörs.

Inaktivera låset

1. Håll låsknappen intryckt i 3 sekunder. Funktionen inaktiveras när låsknappens indikering släcks och ett ljud hörs.
2. Effektnivån återgår till föregående inställning.

Barnlås

Det går även att ha kontrollpanelen låst när hällen inte används. Denna funktion förhindrar att produkten sätts igång av misstag.

Aktivera barnlåset

1. Aktivera hällen med PÅ/AV-knappen. Ställ inte in någon effektnivå.
2. Håll låsknappen intryckt i 3 sekunder. Funktionen aktiveras när låsknappens indikering tänds och ett ljud hörs.
3. Inaktivera hällen med PÅ/AV-knappen.

Inaktivera barnlåset

1. Håll låsknappen intryckt i 3 sekunder. Funktionen inaktiveras när låsknappens indikering släcks och ett ljud hörs.

Automatisk avstängning

Denna funktion stänger av hällen automatiskt om:

- Alla matlagningszoner är avstängda.
- DU inte ställer in en effektnivå inom 30 sekunder efter att du har slagit på hällen.
- DU inte stänger av en matlagningszon eller ändrar effektnivån efter 2 timmar eller om överhettning inträffar (t.ex. när en kastrull torrkokar).

Matlagningstabell

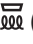
Värmeinställning	Används för:	Tid (min)	Tips
1	• Hålla tillagad mat varm.	efter behov	Sätt ett lock på kokkärlet.
1-2	• Hollandaisesås, smälta: smör, choklad och gelatin.	5-25	Rör om då och då.
2-3	• Sjuda ris- och mjölkbaseade rätter, värma upp färdiglagad mat.	25-50	Tillsätt minst dubbelt så mycket vätska som ris och rör om mjölkrätter efter halva tillagningen.
4-5	• Ånga grönsaker, fisk, kött och potatis.	20-45	Tillsätt en liten mängd vatten.
	• Tillaga större mängder mat och grytträtter.	60-150	Tillsätt en liten mängd vatten.
5-6	• Lättstekt: kalv cordon bleu, kotletter, rissole, korvar, redning och ägg.	efter behov	Vänd efter halva tillagningen.
7-8	• Raggmunkar och biffar.	5-15	Vänd efter halva tillagningen.
9	• Koka vatten, koka pasta, bryna kött (gulasch, grytstek) och fritera pommes frites.		

Vägledning för kokkärl

Vilka grytor som kan användas

Använd bara grytor och kokkärl med botten tillverkad av ett ferromagnetiskt material som är lämpligt för användning med induktionshällar:

- gjutjärn
- emaljerat stål
- kolstål
- rostfritt stål (dock inte alla)
- aluminium med ferromagnetisk beläggning eller ferromagnetisk platta

Titta efter symbolen  (vanligtvis stämplad på botten) för att bestämma om en gryta eller ett kokkärl är lämpligt. Du kan även hålla en magnet mot botten. Om den fastnar på undersidan fungerar kokkärlet på en induktionshäll.

Använd alltid grytor och kokkärl med en platt botten som fördelar värmen jämnt för att säkerställa optimal effektivitet. Om botten är ojämn kommer det att påverka effekten och värmeledningen.

Bruksanvisning

Minsta diameter på grytans/kokkärlets botten för de olika matlagningssonerna

För att säkerställa att hällen fungerar korrekt måste kokkärlet täcka en eller flera av de referenspunkter som anges på hällen. Kokkärlet måste även ha en lämplig minsta diameter.

Använd alltid den matlagningsson som bäst motsvarar diametern på botten av kokkärlet.

Matlagningsson	Rekommenderad diameter på kokkärlet [mm]
Den mittersta bakre matlagningssonen	120-180

Tomma kokkärl eller kokkärl med tunn botten

Använd inte tomma kokkärl eller kokkärl med tunn botten på hällen eftersom den inte kan övervaka temperaturen eller stängas av automatiskt om temperaturen blir för hög, vilket skadar kokkärlet eller hällens yta. Rör inte vid något om detta inträffar och vänta tills alla komponenter har svalnat. Se "Felsökning" om ett felmeddelande visas.

Tips**Ljud vid tillagningen**

När en matlagingszon är aktiv kan den brumma en aning. Detta kännetecknar alla matlagingszoner av keramiskt glas och försämrar inte hällens funktion eller livslängd. Ljudet beror på det kokkärl som används. Om det upplevs som mycket störande kan det hjälpa att byta kokkärl.

Normala ljud när induktionshällen används

Induktionsteknik bygger på att elektromagnetiska fält skapas för att generera värme direkt på kokkärlets botten. Grytor och stekpannor kan alstra olika ljud eller vibrationer beroende på hur de har tillverkats. Dessa ljud kan beskrivas så här:

Lågt brummande (som en transformator)

Det här ljudet uppstår vid matlagning med hög värmenivå. Det beror på den energimängd som överförs från spishällen till kokkärlet. Ljudet upphör eller dämpas när värmen sänks.

Lågt visslande

Det här ljudet hörs när kokkärlet är tomt. Det upphör när vätska eller livsmedel fylls på i kokkärlet.

Knastrande

Det här ljudet uppstår i kokkärl som är tillverkade av olika material i flera lager. Det orsakas av vibrationer i ytorna där olika material kommer i kontakt med varandra. Ljudet uppstår i kokkärlet och kan variera beroende på mängden livsmedel eller vätska och tillagningsmetoden (t.ex. kokning, sjudning, stekning).

Högt visslande

Det här ljudet uppstår i kokkärl som är tillverkade av olika material i flera lager och när de dessutom används med maximal effekt och på två matlagingszoner. Ljudet upphör eller dämpas när värmen sänks.

De här ljuden är normala fläktljud

För att det elektroniska systemet ska fungera korrekt måste hällens temperatur regleras. För detta ändamål är hällen utrustad med en kylfläkt, som aktiveras för att sänka och reglera temperaturen i det elektroniska systemet. Fläkten kan även fortsätta att gå efter att enheten har stängts av om hällens avkända temperatur fortfarande är för hög efter att den har stängts av.

Ritmiska ljud, ungefär som en tickande klocka

Det här ljudet uppstår endast när minst tre matlagingszoner används och försvinner eller blir svagare när en eller två av dem stängs av. De beskrivna ljuden är normala för induktionstekniken och ska inte ses som defekter.

Skötsel och rengöring

⚠ VARNING! Stäng av produkten och låt den svalna innan sladden dras ur.

⚠ VARNING! Stäng av produkten och låt den svalna innan den rengörs.

⚠ VARNING! Av säkerhetsskäl får produkten inte rengöras med ångblästrare eller högtryckstvätt.



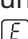



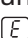

⚠ VARNING! Vassa föremål och rengöringsmedel med slipeffekt skadar produkten. Rengör hällen och avlägsna rester med vatten och diskmedel efter varje användning. Avlägsna även rester från rengöringsmedel!







i Repor eller mörka fläckar på glaskeramiken som inte kan avlägsnas påverkar inte hällens funktion.

Borttagning av rester och envisa fläckar:

- Livsmedel som innehåller socker samt plast och aluminiumfolie måste tas bort omedelbart. Det bästa verktyget för att rengöra glasytan är en skrapa (medföljer ej produkten). Placera skrapan vinklad mot glaskeramikytan och avlägsna rester genom att låta skrapans blad glida över ytan. Torka av hällen med en fuktad trasa och lite diskmedel. Torka till sist hällen med en ren trasa tills den är torr.
- Ringar från kalkavlagringar, vattenringar, fettstänk och metallglänsande missfärgningar bör avlägsnas efter att hällen har svalnat med hjälp av rengöringsmedel för glaskeramik eller rostfritt stål.


Felsökning

Problem	Möjlig orsak	Lösning
Produkten fungerar inte.	Strömavbrott eller kortslutning i strömkällan i bostaden.	
	Strömanslutningen till uttaget har inte utförts korrekt.	Kontrollera att anslutningen till eluttaget är korrekt.
	Mer än 10 sekunder har gått sedan hällen sattes på.	Sätt på hällen igen.
	Barnlåset är aktiverat.	Inaktivera barnlåset. (Se avsnittet "Säkerhet för barn".)
Hällen slutar fungera. Felindikering:  → 	Flera sensorfält har rörts på samma gång.	Tryck bara på ett sensorfält i taget.
	Kokkärlet är inte lämpligt för induktion.	Byt ut det mot ett annat kokkärl som lämpar sig för induktion.
Hällen slutar fungera. Felindikering:  → 	Det finns inget kokkärl på matlagingszonen eller så är kokkärlets diameter mindre än 120 mm.	Placera ett kokkärl på matlagingszonen.
	Kokkärlet är tomt (torrkökar) eller matlagningstemperaturen är för hög.	Stäng av hällen och slå på den igen efter 5 minuter. Kontakta närmaste IKEA-varuhus om E2 kvarstår.
	Luftintaget och luftutsläppet blockeras.	
Hällen slutar fungera. Felindikering:  → 	Omgivningstemperaturen är för hög.	
	Strömförsörjningen överstiger 275 V växelström.	Flytta kontakten till ett lämpligt eluttag.
Hällen slutar fungera. Felindikering:  → 	Strömförsörjningen är lägre än 100 V växelström.	Flytta kontakten till ett lämpligt eluttag.

Hällen slutar fungera. Felindikering:  → 	Hällens temperaturgivare fungerar inte.	Kontakta närmaste IKEA-varuhus.
Hällen slutar fungera. Felindikering:  → 		
Hällen slutar fungera. Felindikering:  → 	Invändigt undantag.	Stäng av hällen och slå på den igen efter 5 minuter. Kontakta närmaste IKEA-varuhus om EO kvarstår.

En felkod visas när hällen slås på och ett fel upptäcks. E och en siffra visas med jämna mellanrum (en sekund) och växlas.

Om det finns ett fel kan du försöka lösa det genom att följa riktlinjerna för felsökning. Kontakta ditt närmaste IKEA-varuhus om problemet inte går att lösa.

 Om produkten har använts på felaktigt sätt kanske varuhuset inte vidtar åtgärder utan kostnad, även under apparatens garantitid.

Tekniska data

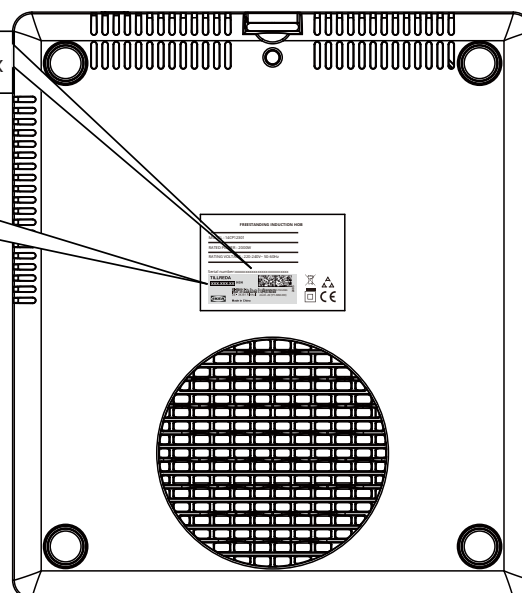
Modell	14CP12301
Typ av häll	Fristående induktionshäll
Antal matlagingszoner och/eller -områden	1
Märkeffekt	2 000 W
Märkspänning	220–240 V~
Frekvens	50–60 Hz
Djup	305 mm
Bredd	270 mm
Höjd	62 mm
Nettovikt	2,33 kg

Serienummer (börjar med SN, 22-siffrig kod)

Serienummer: xxxxxxxxxxxxxxxxxxxxxxxx

Artikelnummer (8-siffrig kod)

XXX.XXX.XX




Bilden är endast för referens

Energieffektivitet

Modellidentifiering	14CP12301
Typ av häll	Portabel enhet
Antal matlagningszoner	1
Uppvärmningsteknik	Induktion
Diameter på cirkulära matlagningszoner (Ø)	170 mm
Energiförbrukning per matlagningszon (EF vid elektrisk matlagning)	184 Wh/kg
Hällens energiförbrukning (EF för hällen)	184 Wh/kg
Produktinformation om effektförbrukning och tid för att nå tillämpligt lågeffektläge	avstängt läge: 0,5 W
Den maximala tid som krävs för att nå det tillämpliga lågeffektläget	5 sekunder
Direktiv 2009/125/EG, KOMMISSIONENS FÖRORDNING (EU) nr 66/2014, EN 60350-2:2018+A1:2021.	

Miljöhänsyn

Bortskaffande av hushållsapparater

Symbolen  på produkten eller dess förpackningsmaterial betyder att produkten inte får hanteras som hushållsavfall. Den ska i stället lämnas till en lämplig återvinningsstation för elektrisk och elektronisk utrustning. Genom att säkerställa att produkten bortskaffas på rätt sätt bidrar du till att förhindra potentiella negativa konsekvenser för miljön och människors hälsa, som annars skulle kunna orsakas av felaktigt bortskaffande av produkten. För mer detaljerad information om hur man återvinner denna produkt, kontakta kommunen, din återvinningsstation eller det varuhus där du köpte produkten.

⚠ VARNING! Följ dessa steg för att kassera produkten:

- Dra ut kontakten ur eluttaget.
- Klipp av strömsladden och släng den.

Bortskaffande av förpackningsmaterial

Material med symbolen  kan återvinnas. Kasta förpackningsmaterialet i en lämplig container för återvinning.

Energisparande

- Om det är möjligt bör alltid lock användas på kokkärlet.
- Ställ kokkärlet på matlagningszonen innan den slås på.
- Kokkärlets botten bör vara så tjock och plan som möjligt.

Garanti från IKEA

Hur länge gäller garantin från IKEA?

Garantin är giltig i 2 år från det datum produkten köptes på IKEA, om inte annat anges enligt nationell lag. Gå till IKEA.com för att ta reda på vad som gäller i ditt land.

Originalkvittot krävs som inköpsbevis. Om servicearbete utförs under garantin förlänger detta inte produktens garantitid.

Vem utför servicen?

Kontakta närmaste IKEA-varuhus.

Vad täcker denna garanti?

Garantin täcker fel på produkten som har orsakats av felaktig konstruktion eller materialfel från och med inköpsdatumet från IKEA.

Denna garanti gäller endast för hushållsbruk. Undantagen anges under rubriken "Vad täcks inte av denna garanti?" Inom garantiperioden täcks kostnaderna för att åtgärda felet, t.ex. reparationer, delar, arbete och resor, förutsatt att produkten är tillgänglig för reparation utan särskilda kostnader. Utbytta delar tillfaller IKEA.

Vad gör IKEA för att åtgärda problemet?

IKEA undersöker produkten och beslutar, efter eget gottfinnande, om den omfattas av denna garanti. Om produkten anses omfattas av garantin, kommer IKEA efter eget gottfinnande att antingen reparera den defekta produkten, eller byta ut den mot samma eller en jämförbar produkt.

Vad täcks inte av denna garanti?

- Normalt slitage.
- Skador orsakade avsiktligt eller genom oaktsamhet, genom underlåtenhet att följa bruksanvisningen, felaktig installation eller anslutning till fel spänning, skador orsakade genom kemisk eller elektrokemisk reaktion, rost, korrosion eller vattenskador vilket inkluderar, men inte är begränsat till, skador orsakade av tillförsel av vatten med onormalt hög kalkhalt samt skador orsakade av onormala miljöförhållanden.
- Förbrukningsartiklar, inklusive batterier och lampor.

- Icke-funktionella och dekorativa delar som inte påverkar normalt bruk av apparaten inklusive repor och eventuella färgskillnader.
- Oavsiktliga skador orsakade av främmande föremål eller ämnen vid rengöring eller rensning av filter, dräneringssystem eller diskmedelsfack.
- Skador på följande delar: keramiskt glas, tillbehör, över- och underkorgar, bestickkorgar, tillförsel- och avloppsslangar, tätningar, lampor och lampskydd, displayer, vred, höljen och delar av höljen. Förutom när sådana skador kan bevisas bero på produktionsfel.
- Reparationer som inte utförts av ett utsett serviceföretag och/eller en auktoriserad servicepartner, eller om andra reservdelar än originaldelar använts.
- Reparationer orsakade av felaktig installation eller installation som inte utförts enligt anvisningarna.
- Användning av produkten i ett yrkesmässigt sammanhang, dvs. ej för hemmabruk.
- Transportskador. Om en kund transporterar produkten till sin bostad eller annan adress ansvarar IKEA inte för eventuella skador som kan uppstå under transporten. Om IKEA däremot levererar produkten till kundens leveransadress täcker IKEA eventuella skador som uppstår under den här transporten.
- Kostnad för att utföra den initiala installationen av IKEA-apparaten. Om emellertid en av IKEA utsedd serviceleverantör eller dess auktoriserade servicepartner reparerar eller byter ut produkten enligt villkoren i denna garanti, kommer den utsedda serviceleverantören eller dess auktoriserade servicepartner att installera om den reparerade produkten eller installera utbytet, om så behövs.

Så här tillämpas nationella lagar

Garantin från IKEA ger dig specifika juridiska rättigheter, som täcker eller går utöver alla lokala lagstadgade krav. Dessa villkor begränsar dock inte på något sätt de konsumenträttigheter som beskrivs i den lokala lagstiftningen.

Garantins internationella giltighet

För apparater som köps i ett EU-land och tas till ett annat EU-land tillhandahålls tjänsterna inom ramen för de normala garantivillkoren i det nya landet. Skyldigheten att utföra tjänster inom garantin gäller endast om apparaten uppfyller kraven och är monterad i enlighet med:

- de tekniska specifikationerna i det land där garantianspråket görs;
- monteringsanvisningarna och säkerhetsanvisningarna i användarhandboken.

KUNDSERVICE för produkter från IKEA

Tveka inte att kontakta IKEA för att:

- göra en servicebegäran enligt denna garanti;
- be om förtydliganden om hur produkter från IKEA fungerar.

För att vi ska kunna hjälpa dig på bästa sätt ber vi dig att läsa monteringsanvisningarna och/eller användarhandboken noggrant innan du kontaktar oss.

Så här når du oss om du behöver vår hjälp



Kundtjänsten på IKEA hjälper dig per telefon med enkel felsökning av produkten när du ringer till dem. Telefonnummer och öppettider till ditt lokala IKEA-varuhus finns i IKEA-katalogen och på www.ikea.com.

För att du ska få hjälp snabbare ber vi dig också att alltid uppge artikelnumret från IKEA (8 siffror) som finns på produktens märkskylt.

SPARA ALLTID INKÖPSKVITTOT!

Det är ditt inköpsbevis och krävs för att garantin ska vara giltig. Detta kvitto anger också IKEA namn och artikelnummer (8 siffror) för varje produkt du har köpt.

Behöver du extra hjälp?

För övriga frågor som inte är relaterade till kundtjänst för dina apparater ber vi dig kontakta kundtjänst på närmaste IKEA-varuhus. Läs alltid all produktokumentation noggrant innan du kontaktar oss.

Obsah

Bezpečnostní informace	124	Údržba a čištění.....	132
Bezpečnostní pokyny.....	125	Řešení potíží	132
Popis spotřebiče.....	127	Technické údaje.....	133
Kontrolky.....	128	Energetická účinnost	134
Každodenní používání	129	Ekologické informace	134
Tabulka přípravy potravin	130	Záruka společnosti IKEA.....	135
Pokyny k nádobí.....	130		

Bezpečnostní informace

Ⓞ V rámci Vaší bezpečnosti a pro zajištění správného provozu tohoto spotřebiče si před instalací a použitím pozorně přečtěte tento návod. Tyto pokyny vždy uchovávejte spolu se spotřebičem, a to i v případě jeho přemístění nebo prodeje. Uživatelé musí být s provozem a bezpečnostními prvky spotřebiče plně seznámeni.

Správné použití

- Při používání nenechávejte spotřebič bez dozoru.
- Spotřebič je určen výhradně k použití v domácnostech.
- Spotřebič je určen výhradně k použití ve vnitřních prostorách.
- Spotřebič nesmí být používán jako pracovní nebo odkládací plocha.
- Do spotřebiče nebo do jeho blízkosti nedávejte hořlavé tekutiny, vysoce hořlavé materiály či materiály, které se mohou tavit (např. plastové folie, plasty, hliník).
- Při připojování elektrických spotřebičů do zásuvek dávejte pozor. Napájecí kabely nesmí přijít do styku se spotřebiči či horkým kuchyňským nádobím, nebo se pod nimi zachytit.
- Spotřebič sami neopravujte, mohlo by dojít k poškození spotřebiče nebo poranění. Vždy se obraťte na nejbližší obchod IKEA.

Bezpečnost dětí a zranitelných osob

- Tento spotřebič mohou používat děti od 8 let a osoby s omezenými fyzickými, smyslovými nebo duševními schopnostmi, nebo bez patřičných zkušeností a znalostí, pokud jim byl poskytnut dohled nebo

pokyny týkající se použití spotřebiče bezpečným způsobem a pokud rozumí případnému nebezpečí.

- Veškeré obaly uchovávejte z dosahu dětí. Hrozí riziko udušení.
- Děti musí být z dosahu spotřebiče při jeho použití, ale také mimo dobu použití.
- Děti do 8 let by měly být mimo dosah spotřebiče, nebo by měly být neustále pod dozorem rodičů.
- Děti si se spotřebičem nesmí hrát. Čištění a uživatelskou údržbu smí provádět děti pouze pod dozorem.

⚠ VAROVÁNÍ! Aktivujte dětský zámek, abyste zabránili nechtěnému zapnutí spotřebiče malými dětmi nebo domácími zvířaty.

Všeobecná bezpečnost

- Neblokujte ventilační otvory ve stěnách spotřebiče nebo ve vestavěné konstrukci.
- Pokud kontrolka zbytkového tepla stále svítí, nedotýkejte se varné desky. Mohlo by dojít ke zranění.
- Při použití nevkládejte do indukční varné desky žádné předměty. Mohlo by dojít k úrazu elektrickým proudem.
- Nedávejte si napájecí kabel kolem krku, hrozí riziko uškrcení.
- K čištění spotřebiče se nesmí používat parní čistič.
- Na povrch sporáku by se neměly pokládat kovové předměty, jako jsou nože, vidličky, lžice a pokličky, protože by se mohly rozpálit.
- Po použití vypněte plotýnky sporáku jejich ovládacími prvky a nespolehejte se na detektor přítomnosti nádoby.

- Tento spotřebič není určen pro ovládání externím časovačem nebo samostatným dálkovým ovládacím systémem.
- Je třeba dbát opatrnosti a zabránit kontaktu s topnými tělesy.
- Pokud je napájecí kabel poškozen, musí jej vyměnit výrobce, autorizované servisní středisko nebo podobně kvalifikované osoby, aby se předešlo možnému nebezpečí. Obratě se na nejbližší prodejnu IKEA.
- Tento spotřebič je určen pro použití v domácnosti a k podobným účelům, jako jsou:
 - kuchyňské prostory zaměstnanců v obchodech, kancelářích a jiných pracovních prostředích;
 - zážitkové farmy;
 - využití klienty v hotelech, motelech nebo jiných typech prostředí poskytujících ubytování;
 - ubytování poskytující nocleh se snídaní.

⚠ POZOR: horký povrch. Povrchy se mohou během provozu silně zahřívat.

⚠ VAROVÁNÍ! Pokud je povrch popraskaný, spotřebič vypněte, abyste zabránili nebezpečí úrazu elektrickým proudem. Obratě se na nejbližší prodejnu IKEA.

⚠ VAROVÁNÍ! Spotřebič a jeho přístupné díly se během používání zahřívají.

⚠ VAROVÁNÍ! Ponecháte-li nádobu s tukem nebo olejem na sporáku bez dozoru, hrozí nebezpečí požáru. NIKDY se nepokoušejte uhasit oheň vodou. Místo toho spotřebič vypněte a poté oheň přikryjte například pokličkou nebo protipožární dekou.

Bezpečnostní pokyny

Montáž

- Výrobce nezodpovídá za jakékoli poranění osob nebo domácích zvířat či škodu na majetku, ke kterým dojde v důsledku nedodržení následujících požadavků.
- ⚠ POZOR!** V instalaci pokračujte podle bezpečnostních pokynů.
- ⚠ VAROVÁNÍ!** Postup instalace musí probíhat podle zákonů, nařízení, směrnic a norem (pravidla a nařízení týkající se bezpečnosti elektrických zařízení, řádná recyklace v souladu s předpisy atd.) platných v zemi použití!
- Spotřebič neinstalujte vedle dveří a pod okny, při jejich otevření by mohlo dojít ke shození horkého kuchyňského nádobí.
- Zajistěte, aby nedošlo k poškození spotřebiče při přepravě. Nezapojujte poškozený spotřebič.
- Pokud při přepravě došlo k poškození spotřebiče, neinstalujte jej.

- Varnou desku nepřipojujte prodlužovacím kabelem, neumísťte ji tak, aby napájecí kabel procházel pracovním prostorem.
- Neměňte specifikace tohoto produktu a ani jej neupravujte. Hrozí riziko poranění nebo poškození spotřebiče.

⚠ VAROVÁNÍ! Pečlivě dodržujte pokyny týkající se připojení k elektrické síti.

Elektrické zapojení

- Před připojením se ujistěte, že jmenovité napětí uvedené na výkonovém štítku odpovídá dostupnému napájecímu napětí. Také zkontrolujte příkon spotřebiče a ujistěte se, že elektroinstalace v domácnosti odpovídá svými parametry příkonu spotřebiče (viz část Technické údaje).
- Výkonový štítek je umístěn ve spodní části varné desky.
- ⚠ VAROVÁNÍ!** Nebezpečí úrazu elektrickým proudem.
- Nedotažením a nevhodným zapojením zásuvek a zástrček může dojít k přehřátí vidlice.

Před použitím:

Před použitím si prosím pozorně prostudujte následující pokyny.

- Používejte standardní napájecí zásuvku a pravidelně ji kontrolujte, aby nedošlo k jakémukoli poškození.
- Spotřebič nesmíte vy sami ani žádná nekvalifikovaná osoba otevírat. Opravu spotřebiče smí provádět pouze zákaznický servis či podobně kvalifikovaný technik.
- Zkontrolujte prosím napájecí kabel a zástrčku. Pokud jsou napájecí kabel nebo zástrčka poškozeny, spotřebič nepoužívejte. Zástrčku nezapojte mokřima rukama.
- Nepoužívejte prodlužovací kabel, používejte pouze hlavní napájecí kabel.
- Pokud jste spotřebič delší dobu nepoužívali, nejprve jej na dobu 10 minut zapněte, aby se stabilizovaly elektronické součásti. Poté můžete začít spotřebič používat.
- Nepoužívejte spotřebič v blízkosti vody, ohně nebo ve vlhkém prostoru. Spotřebič je určen POUZE pro použití ve vnitřním prostoru domácnosti.
- Před prvním použitím ze spotřebiče sejměte veškerý obalový materiál, nálepky a ochrannou fólii.
- Po každém použití spotřebič vypněte ovládacími prvky příslušných varných zón, nespolehejte se na detektor nádoby.
- Riziko popálení! Nepokládejte na varný povrch kovové předměty, například nože, vidličky, lžice a pokličky, mohou se rozpálit.

⚠ VAROVÁNÍ! Nebezpečí požáru!
Přehřáté tuky a oleje se mohou snadno vznítit.

⚠ VAROVÁNÍ! Uživatelé s implantovanými kardiostimulátory musí udržovat horní polovinu těla minimálně 30 cm od zapnutých indukčních varných zón.

⚠ VAROVÁNÍ! Spotřebič nepoužívejte, pokud máte mokré ruce, povrch panelu s ovládacími prvky udržujte suchý. Pokud bude na tlačítkách ovládacího panelu velké množství vody, nebudou fungovat.

⚠ VAROVÁNÍ! Pokud je povrch desky prasklý, spotřebič vypněte, abyste zabránili možnému úrazu elektrickým proudem.

Během používání a po něm:

Dodržováním následujících pokynů zabráníte vzniku požáru a nehodám.

- Umístěte spotřebič POUZE na pevný a rovný povrch.
- Děti by měly být pod dozorem a je nutné zajistit., aby si se spotřebičem nehrály.
- Je-li spotřebič v provozu, nepokládejte na varnou desku žádný z následujících předmětů.
 - a) Nerezová ocel
 - b) Železo
 - c) Litina
 - d) Hliník
 - e) Poklice a smalt
 - f) Nože, vidličky nebo lžice
 - g) Talíře vyrobené ze železa, nerezové oceli, litiny nebo hliníku
 - h) Prázdné kuchyňské nádobí
- Spotřebič s nádobím během vaření nepřenásejte ani s ním nepohybujte.
- Při vaření udržujte dobře větratelné okolní prostředí.
- Do otvorů přívodu ani odvodu vzduchu spotřebiče nevkládejte žádné dráty ani jiné kovové předměty.
- Péče o ovládací panel.
 - a) Zabraňte upuštění těžkých předmětů na ovládací panel.
 - b) Nelijte na varnou desku vodu, kyselinu nebo jakoukoli tekutinu.
 - c) Nevystavujte varnou desku otevřenému ohni.
 - d) Pokud se spotřebič nepoužívá, nepokládejte na něj žádné horké nádobí.
 - e) Pokud jsou na povrchu (varné desky) praskliny, spotřebič okamžitě vypněte, abyste zabránili nebezpečí úrazu elektrickým proudem, a zanechte jej do nejbližšího obchodu IKEA.
 - f) Některé typy kuchyňského nádobí mohou při použití vydávat hluk. Mírným posunutím kuchyňského nádobí může hluk přestat nebo se snížit. Pokud ne, vyměňte prosím kuchyňské nádobí.

- Je-li spotřebič v provozu, nepokládejte jej na koberec, ubrus ani žádný papírový materiál.
- Pokud je varná deska horká, nedotýkejte se jí. Dokud svítí kontrolka zbytkové tepla, je varná deska horká, a to i pokud je vypnuto napájení.
- Spotřebič nikdy neodpojujte od napájení taháním za kabel.
- Před odpojením napájení spotřebič vypněte a nechte jej vychladnout. Nebudete-li spotřebič delší dobu používat, odpojte napájecí kabel.
- Po použití uchovávejte nádobí stranou od spotřebiče.

Jak zabránit poškození spotřebiče

- Sklokeramickou desku lze poškodit pádem předmětů nebo nárazem kuchyňského nádobí.
- Kuchyňské nádobí vyrobené z litiny, hliníku nebo nádobí s poškozenou spodní částí může při posouvání poškrábat povrch sklokeramické desky.
- Sklokeramickou desku lze také poškodit pádem na zem.

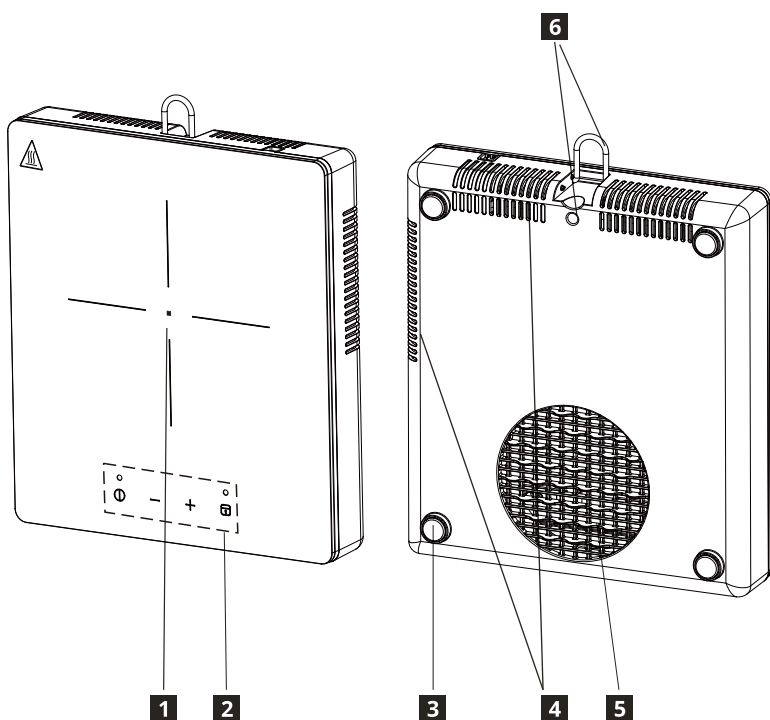
- Abyste zabránili poškození kuchyňského nádobí a sklokeramické desky, zamezte tomu, aby se z hrnců nebo pánví vyvařila veškerá tekutina.
- Nepoužívejte varné zóny, na kterých je umístěno prázdné kuchyňské nádobí nebo na kterých není žádné kuchyňské nádobí.
- Nikdy nezakrývejte jakoukoli část spotřebiče hliníkovou fólií. Nikdy nepoužívejte plastové nebo jiné materiály, které se mohou roztavit a zatéct dovnitř nebo na spotřebič.

⚠ VAROVÁNÍ! Po použití nechte spotřebič zapojený do elektrické zásuvky až do doby, než se vypne ventilátor a zhasne kontrolka zbytkového tepla.

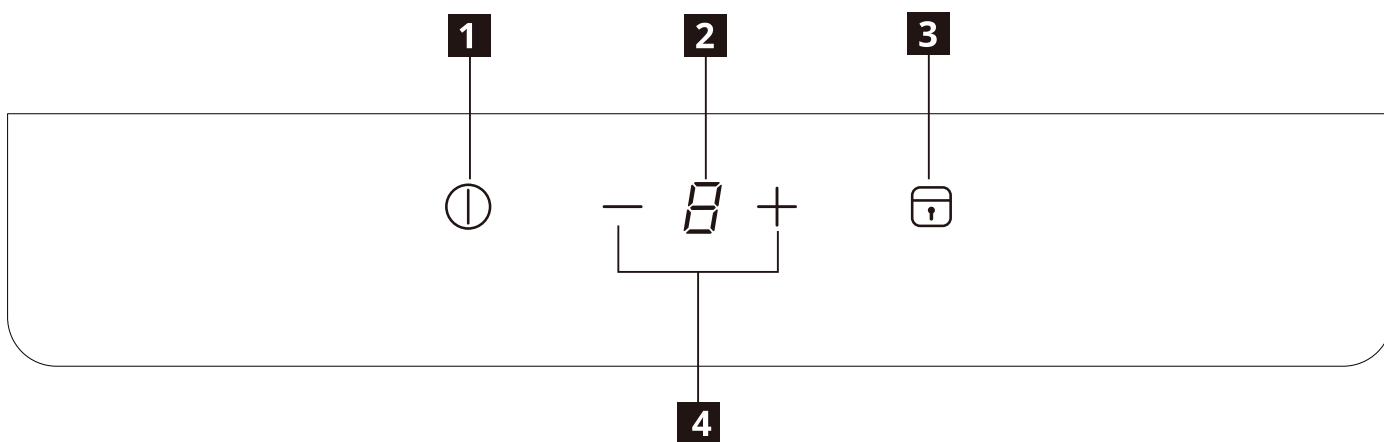
Informace týkající se akrylamidů

Důležité! Podle nejnovějších vědeckých poznatků může intenzivní vaření jídel do hněda, zejména u produktů obsahujících škrob, představovat zdravotní riziko způsobené akrylamidy. Proto doporučujeme vařit při nejnižších možných teplotách a dbát na to, aby jídla nebyla uvařena příliš do hněda.

Popis spotřebiče



- 1** Oblast ohřevu
Varná zóna 170 mm, 2 000 W
- 2** Ovládací panel
- 3** Silikonové nožičky
- 4** Odvod vzduchu
- 5** Přívod vzduchu
- 6** Háček k zavěšení



Vzhled ovládacího panelu

- 1** Vypínač **3** Zámek / dětský zámek
2 Zobrazení úrovně výkonu **4** Nastavení úrovně výkonu - / +

Dotykové ovládání senzorovými poli a zobrazení

Varnou desku můžete ovládat dotykem senzorových polí. Výběr funkce je potvrzen zobrazením a zvukovým signálem (krátké pípnutí).

Úroveň výkonu	1	2	3	4	5	6	7	8	9
Výkon	150 W	250 W	300 W	450 W	600 W	800 W	1 100 W	1 500 W	2 000 W

Kontrolky

⚠ Nesprávně umístěný nebo chybějící hrnec

Tento symbol se zobrazí v případě, že hrnec není vhodný pro indukční vaření, je nesprávně umístěn nebo nemá příslušnou velikost pro vybranou varnou zónu. Pokud k detekci hrnce nedojde do 30 sekund od nastavení volby, varná zóna se vypne.

H Zbytkové teplo

Pokud se zobrazuje hodnota „H“, je varná zóna stále horká. Jakmile varná zóna zchladne, zobrazení se vypne.

⚠ VAROVÁNÍ! Nebezpečí popálení zbytkovým teplem! Po vypnutí spotřebiče je nutno nechat varné zóny chvíli vychladnout. Sledujte kontrolku zbytkového tepla (H).

Zbytkové teplo používejte pro rozmrazování potravin a zahřívání jídla. Pokud je na displeji stále zobrazena kontrolka zbytkového tepla (H), spotřebič neodpojujte.

Každodenní používání



Zapojení do zásuvky

- Po zapojení zástrčky do elektrické zásuvky se aktivuje dětský zámek. Stisknutím tlačítka Dětský zámek na dobu 3 sekund dětský zámek deaktivujete.

Vypínač

- Stiskněte vypínač. Na displeji se zobrazí pohotovostní režim „0“ a rozsvítí se kontrolka napájení. Pokud do 30 sekund nedojde k výběru nastavení teploty, varná deska se vypne automaticky bez stisknutí vypínače.
- Pokud během provozu stisknete vypínač, varná deska se vypne.



Nastavení úrovně výkonu

- Stisknutím tlačítka — nebo + ovládáte během provozu úroveň výkonu.
- Stisknutím tlačítka — se úroveň výkonu ihned přepne na „9“. Stisknutím tlačítka — budete snižovat úroveň výkonu od „9“ do „1“.
- Stisknutím tlačítka + nastavíte úroveň výkonu na „1“. Stisknutím tlačítka + budete zvyšovat úroveň výkonu od „1“ do „9“.



Funkce zámku

Je-li varná zóna v provozu, můžete ovládací panel uzamknout, například z důvodu čištění varné desky. Zabraňuje se tak náhodné změně nastavení úrovně výkonu. Varnou desku bude možné stále vypnout vypínačem.

Aktivace zámku

- Nastavte požadovanou úroveň výkonu.
- Stiskněte tlačítko zámku a držte jej stisknuté po dobu 3 sekund. Funkce bude aktivována, jakmile se rozsvítí kontrolka tlačítka zámku a ozve se zvukové znamení.

Deaktivace zámku

- Stiskněte tlačítko zámku a držte jej stisknuté po dobu 3 sekund. Funkce je deaktivována, jakmile zhasne kontrolka tlačítka zámku a ozve se zvukové znamení.
- Úroveň výkonu se vrátí na předchozí nastavení.

Funkce dětského zámku

Ovládací panel můžete také udržovat zamčený, i když varná deska není v provozu. Tato funkce zabraňuje náhodnému spuštění spotřebiče.

Aktivace dětského zámku

- Vypínačem zapněte spotřebič. Nenastavujte žádnou úroveň výkonu.
- Stiskněte tlačítko zámku a držte jej stisknuté po dobu 3 sekund. Funkce bude aktivována, jakmile se rozsvítí kontrolka tlačítka zámku a ozve se zvukové znamení.
- Vypínačem vypněte spotřebič.

Deaktivace dětského zámku

- Stiskněte tlačítko zámku a držte jej stisknuté po dobu 3 sekund. Funkce je deaktivována, jakmile zhasne kontrolka tlačítka zámku a ozve se zvukové znamení.

Automatické vypnutí

Funkce varnou desku automaticky vypne v následujících případech:

- Když jsou všechny varné zóny vypnuté.
- Po zapnutí varné desky jste do 30 sekund NENASTAVILI úroveň výkonu.
- Nevypnuli jste varnou zónu, po dobu 2 hodin jste NEZMĚNILI úroveň výkonu nebo došlo k přehřátí (například není-li v hrnci žádný obsah).

Tabulka přípravy potravin


Nastavení teploty	Účel používání:	Doba (min)	Rady
1	• Udržování teploty hotového teplého jídla.	Podle potřeby	Zakrývejte nádobí poklicí.
1-2	• Holandská omáčka nebo rozpuštění másla, čokolády a želatiny.	5-25	Občas jídlo promíchejte.
2-3	• Dušení rýže a mírné povaření jídel s mlékem, ohřev již hotových jídel.	25-50	Přidejte k rýži alespoň dvojnásobné množství vody. Jídla s mlékem během celého vaření mírně promíchejte.
4-5	• Dušení zeleniny, ryb, masa, brambor.	20-45	Přidejte malé množství vody.
	• Vařte větší množství potravin, pokrmů.	60-150	Přidejte malé množství vody.
5-6	• Jemné smažení: telecí Cordon Bleu, kotlety, krokety, klobásy, jíška, vejce.	Podle potřeby	V polovině přípravy obraťte.
7-8	• Bramboráky, steaky.	5-15	V polovině přípravy obraťte.
9	• Vaření vody, příprava těstovin, prudké osmahnutí masa (guláš, dušené maso), fritování hranolek.		

Pokyny k nádobí

Vhodné hrnce

Používejte pouze hrnce a pánve se spodní částí vyrobenou z feromagnetického materiálu, které jsou vhodné pro používání na indukčních varných deskách:

- litina
- smaltovaná ocel
- uhlíková ocel
- nerezová ocel (ne všechna)
- hliník s feromagnetickým potahem nebo feromagnetickou deskou

Chcete-li zjistit, zda jsou hrnce nebo pánve vhodné k používání se spotřebičem, vyhledejte symbol  (obvykle je uveden na spodní části nádobí). Ke spodní části nádobí můžete také přiložit magnet. Pokud u spodní strany drží, bude nádobí na indukční varné desce fungovat.

K zajištění optimální účinnosti vždy používejte hrnce a pánve s plochým dnem, které teplo distribuuje rovnoměrně. Není-li dno nádobí rovné, bude to mít vliv na výkon a vedení tepla.

Používání

Minimální průměr dna hrnce/pánve pro různé varné plochy

Hrnce musí překrývat jeden nebo více referenčních bodů uvedených na povrchu varné desky a musí mít minimální vhodný průměr, aby byla zajištěna správná funkčnost varné desky.

Používejte vždy tu varnou zónu, která nejlépe odpovídá průměru spodní části nádobí.

Varná zóna	Doporučený průměr nádobí [mm]
Prostřední zadní varná zóna	120-180

Prázdné hrnce a pánve nebo nádobí s tenkým dnem

Prázdné hrnce a pánve ani nádobí s tenkým dnem nepoužívejte, protože by varná deska nemohla monitorovat teplotu nebo se automaticky vypnout v případě, že by teplota byla příliš vysoká. Došlo by k poškození nádobí nebo povrchu varné desky. Pokud tato situace nastane, ničeho se nedotýkejte a nechte všechny součásti vychladnout.

Pokud se zobrazí chybová zpráva, nahlédněte do části „Řešení potíží“.

Rady a tipy

Hluk během vaření

Je-li varná zóna aktivní, může mírně vrčet. Jedná se o charakteristickou vlastnost sklokeramických varných zón a není tím ovlivněna funkčnost ani životnost spotřebiče. Hlučnost závisí na použitém nádobí. Pokud by rušení bylo významné, zkuste změnit nádobí.

Šum při normálním provozu indukční varné desky

Indukční technologie je založena na vytváření elektromagnetického pole, které generuje teplo přímo na dně nádobí. Hrnce a pánve mohou způsobovat různé zvuky nebo vibrace v závislosti na způsobu jejich výroby.

Tyto zvuky jsou popsány následovně:

Slabé hučení (jako u transformátoru)

Tento hluk vzniká při vaření na vysoké teplotě. Odvíjí se od množství energie přenášené z varné desky na varné nádobí.

Zvuk ustane nebo se ztiší, když se sníží úroveň tepla.

Tiché pískání

Tento hluk se ozývá, když je varná nádoba prázdná. Přestane se ozývat, jakmile se nádoba naplní tekutinami nebo potravinami.

Praskání

Tento zvuk se objevuje u varného nádobí vyrobeného z různých na sebe vrstvených materiálů.

Je způsoben vibracemi povrchů, na kterých se různé materiály stýkají. Zvuk vzniká v nádobí a může se lišit v závislosti na množství potravin nebo tekutiny a způsobu přípravy jídla (např. vaření, dušení, smažení).

Hlasité pískání

Tento zvuk se vyskytuje u varného nádobí vyrobeného z různých na sebe vrstvených materiálů, když je navíc používáno na maximální výkon nebo na dvou varných zónách zároveň. Zvuk ustane nebo se ztiší, když se sníží úroveň tepla.

Jedná se o normální zvuky ventilátoru

Pro správnou funkci elektronického systému je nutné regulovat teplotu varné desky. Za tímto účelem je varná deska vybavena chladičím ventilátorem, který se aktivuje, aby snížil a reguloval teplotu elektronického systému. Ventilátor může pokračovat v činnosti i po vypnutí spotřebiče, pokud je zjištěná teplota varné desky po jejím vypnutí stále příliš vysoká.

Rytmické zvuky, podobné tikání hodin

Tento zvuk se objevuje pouze v případě, že jsou v provozu alespoň tři varné zóny, a po vypnutí některé z nich zmizí nebo zeslábnou.

Popsané zvuky jsou pro indukční technologii normální a neměly by se považovat za závadu.

Údržba a čištění

- ⚠ **VAROVÁNÍ!** Před odpojením spotřebič vypněte a nechte vychladnout.
- ⚠ **VAROVÁNÍ!** Před čištěním spotřebič vypněte a nechte vychladnout.
- ⚠ **VAROVÁNÍ!** Z bezpečnostních důvodů nepoužívejte čisticí přístroje na páru nebo vysokotlaká čisticí zařízení.
- ⚠ **VAROVÁNÍ!** Ostré předměty a hrubé čisticí prostředky mohou spotřebič poškodit. Spotřebič po každém použití vyčistěte vodou a čisticím prostředkem. Odstraňte také zbytky čisticích prostředků!
- ⓘ Škrábance nebo tmavé skvrny, které nelze ze sklokeramické desky odstranit, nemají na funkci spotřebiče žádný vliv.

Odstranění nečistot a usazenin:

- Potraviny obsahující cukr, plasty a zbytky alobalu musí být odstraněny okamžitě, nejlepším nástrojem pro čištění skleněných povrchů je škrabka (není dodávána s tímto spotřebičem). Škrabku položte ve vhodném úhlu na povrch sklokeramické desky a posouváním čepele po povrchu odstraňte nečistoty. Spotřebič otřete navlhčenou utěrkou a malým množstvím čisticího prostředku. Nakonec spotřebič vysušte čistou utěrkou.
- Kroužky tvořené vodním kamenem, vodou, potřísnění tuky a kovově lesklé zbarvení musíte po vychladnutí spotřebiče odstranit pomocí čističe na sklokeramické desky nebo nerezovou ocel.

Řešení potíží

Problém	Možná příčina	Řešení
Spotřebič nefunguje.	Výpadek proudu nebo zkrat elektrického proudu ve Vaší domácnosti.	
	Nesprávné zapojení do zásuvky.	Zkontrolujte zapojení do zásuvky.
	Od zapnutí spotřebiče uplynulo více než 10 sekund.	Zapněte spotřebič znovu.
	Je zapnutý dětský zámek.	Deaktivujte dětský zámek. (Viz část „Dětská bezpečnostní pojistka“.)
	Dotkl/a jste se několik sensorových polí najednou.	Stiskněte pouze jedno sensorové pole.
Spotřebič přestane fungovat. Indikace chyby: Ⓛ → Ⓛ	Nádobí není vhodné pro indukční varné desky.	Nahradte kuchyňské nádobí za takové, které je vhodné pro použití na indukčních varných deskách.
	Na varné zóně není umístěno žádné nádobí nebo je průměr nádobí menší než 120 mm.	Umístěte kuchyňské nádobí na varnou zónu.
Spotřebič přestane fungovat. Indikace chyby: ⓔ → ⓔ	Kuchyňské nádobí je prázdné (vaření nasucho) nebo je příliš vysoká teplota vaření.	Spotřebič vypněte a za 5 minut jej opět zapněte. Pokud chyba E2 přetrvává, obraťte se na nejbližší obchod IKEA.
	Je zablokován přívod a odvod vzduchu.	
	Teplota okolního vzduchu je příliš vysoká.	
Spotřebič přestane fungovat. Indikace chyby: ⓔ → ⓔ	Střídavé napětí napájení přesahuje 275 V.	Zajistěte napětí vhodné pro spotřebič.
Spotřebič přestane fungovat. Indikace chyby: ⓔ → ⓔ	Střídavé napětí napájení je nižší než 100 V.	Zajistěte napětí vhodné pro spotřebič.

Spotřebič přestane fungovat. Indikace chyby: E - 5	Teplotní senzor spotřebiče nefunguje.	Obratťe se na nejbližší prodejnu IKEA.
Spotřebič přestane fungovat. Indikace chyby: E - 6		
Spotřebič přestane fungovat. Indikace chyby: E - 0	Interní výjimka	Spotřebič vypněte a za 5 minut jej opět zapněte. Pokud chyba EO přetrvává, obraťte se na nejbližší obchod IKEA.

Chybový kód se zobrazuje v případě, že je varná deska zapnuta a byla detekována chyba. Písmeno E a čísla se zobrazují přerušovaně (po dobu 1 sekundy) a cyklicky.

Pokud došlo k nějaké závadě, pokuste se ji vyřešit pomocí pokynů k řešení potíží. Pokud problém nelze vyřešit, obraťte se na nejbližší obchod IKEA.

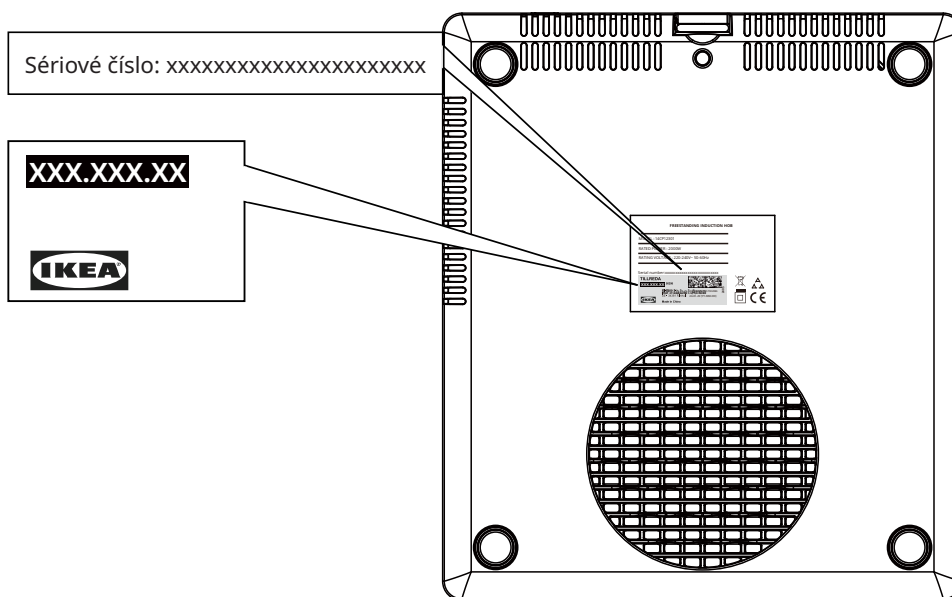
❗ Při nesprávném použití spotřebiče jej není prodejce povinen zdarma vyměnit, a to ani v záruční době.

Technické údaje

Model	14CP12301
Typ varné desky	Volně stojící indukční varná deska
Počet varných zón a/nebo oblastí	1
Jmenovitý příkon	2 000 W
Jmenovité napětí	220–240 V~
Jmenovitý kmitočet	50–60 Hz
Hloubka	305 mm
Šířka	270 mm
Výška	62 mm
Hmotnost netto	2,33 kg

Sériové číslo (začíná písmeny „SN“, 22místné číslo)

Číslo výrobku (8místné číslo)




Obrázek slouží pouze k referenčním účelům

Energetická účinnost

Identifikace modelu	14CP12301
Typ varné desky	Přenosný spotřebič
Počet varných zón	1
Technologie ohřevu	Indukce
Průměr kruhových varných zón (Ø)	170 mm
Spotřeba energie na varnou zónu (EC electric cooking)	184 Wh/kg
Spotřeba energie varné desky (EC electric hob)	184 Wh/kg
Informace o spotřebě energie a době do dosažení použitelného režimu nízké spotřeby energie	vypnutý režim: 0,5 W
Maximální doba potřebná k dosažení použitelného režimu nízké spotřeby energie	5 sekund
Směrnice 2009/125/ES, NAŘÍZENÍ KOMISE (EU) č. 66/2014, EN 60350-2:2018+A1:2021.	

Ekologické informace


Likvidace domácích spotřebičů

Symbol  uvedený na výrobku nebo jeho obalu znamená, že výrobek nesmí být považován za běžný komunální odpad. Namísto toho musí být odevzdán do sběrného místa pro recyklaci elektrického a elektronického zařízení. Zajištěním správné likvidace tohoto výrobku pomůžete zabránit možným negativním dopadům na životní prostředí a lidské zdraví, ke kterým by mohlo v důsledku nesprávné likvidace tohoto výrobku dojít. Podrobnější informace týkající se recyklace tohoto výrobku Vám sdělí na místním úřadu, společnost provádějící likvidaci domovního odpadu nebo v obchodě, ve kterém jste výrobek zakoupili.

⚠ VAROVÁNÍ! Při likvidaci spotřebiče dodržujte tyto kroky:

- Odpojte zástrčku z elektrické zásuvky.
- Odřízněte napájecí kabel a zlikvidujte jej.

Likvidace obalových materiálů

Materiály se symbolem  lze recyklovat. Obaly likvidujte ve vhodném sběrném kontejneru, aby došlo k jejich recyklaci.

Úspora energie

- Pokud je to možné, vždy na pánve pokládejte pokličky.
- Dříve než varnou zónu zapnete, dejte na ni kuchyňské nádobí.
- Dno kuchyňského nádobí by mělo být co možná nejvíce tlusté a ploché.

Záruka společnosti IKEA

Po jakou dobu platí záruka společnosti IKEA?

Pokud není v národní legislativě uvedeno jinak, platí tato záruka 2 roky od data původního zakoupení spotřebiče ve společnosti IKEA. Informace o předpisech platných ve vaší zemi najdete na webu IKEA.com.

Jako doklad o koupi je požadována původní účtenka. Jestliže se v záruční době provede nějaká oprava, záruční doba spotřebiče se tím neprodlužuje.

Kdo provádí servisní službu?

Obratťe se na nejbližší prodejnu IKEA.

Na co se tato záruka vztahuje?

Záruka se vztahuje na závady spotřebiče, které byly způsobeny vadnou konstrukcí nebo vadným materiálem a vznikly po datu zakoupení spotřebiče ve společnosti IKEA.

Tato záruka se vztahuje pouze na domácí použití. Výjimky jsou uvedeny v části „Na co se tato záruka nevztahuje?“ Během záruční doby se záruka vztahuje na náklady na odstranění závady, např. opravu, díly, práci a cestu pracovníka za předpokladu, že je spotřebič dostupný k opravě bez zvláštních nákladů. Vyměněné díly se stávají majetkem společnosti IKEA.

Jak bude společnost IKEA při odstranění závady postupovat?

Společnost IKEA výrobek prohlédne a rozhodne dle vlastního uvážení, zda se na závadu vztahuje záruka. Pokud uzná její platnost, pak společnost IKEA na základě vlastního uvážení buď vadný výrobek opraví, nebo jej nahradí stejným nebo srovnatelným výrobkem.

Na co se tato záruka nevztahuje?

- Na běžné opotřebení.
- Na poškození způsobené úmyslně nebo nedbalostí, nedodržením návodu k použití, nesprávnou instalací nebo připojením k nesprávnému napětí, poškození způsobené chemickou nebo elektrochemickou reakcí, rží, korozi nebo vodou včetně, ale nikoli výhradně omezené na nadměrné množství vápence v přiváděné vodě, poškození způsobené abnormálními podmínkami okolního prostředí.
- Na spotřební materiál včetně baterií a žárovek.

- Na nefunkční a ozdobné části, které nemají vliv na normální používání spotřebiče včetně jakéhokoli poškrábání a možných barevných rozdílů.
- Na náhodné poškození způsobené cizími předměty nebo látkami a čištěním nebo uvolněním filtrů, odtokových systémů nebo zásuvek na čisticí prostředek.
- Na poškození následujících dílů: keramického skla, příslušenství, košů na nádobí a příbory, přírodní a odtokové trubky, těsnění, žárovky a kryty žárovek, filtry, ovladače, opláštění a jeho části. S výjimkou takových poškození, u kterých lze prokázat, že tato poškození byla způsobena výrobními vadami.
- Na opravy, které neprováděli naši k tomu určení poskytovatelé služeb anebo autorizovaní smluvní servisní partneři, nebo na opravy, při nichž nebyly použity originální náhradní díly.
- Na opravy způsobené instalací, která není správná nebo neodpovídá technickým údajům.
- Na použití spotřebiče mimo domácnost, tedy k profesionálnímu použití.
- Na poškození při dopravě. Jestliže zákazník dopravuje spotřebič sám do svého bytu nebo na jinou adresu, neodpovídá společnost IKEA za žádné poškození, ke kterému mohlo při dopravě dojít. Pokud ale dopravovala spotřebič na uvedenou adresu zákazníka společnost IKEA, pak je případné poškození při dopravě kryto touto zárukou IKEA.
- Na náklady na provedení první montáže spotřebiče IKEA. Pokud však určený poskytovatel služeb IKEA nebo jeho autorizovaný servisní partner spotřebič v rámci podmínek této záruky opraví nebo jej nahradí, určený poskytovatel služeb nebo jeho autorizovaný servisní partner v případě nutnosti opravený spotřebič opět instalují nebo instalují jeho náhradu.

Uplatnění zákonů dané země

Záruka IKEA vám poskytuje specifická práva, která zahrnují nebo překračují požadavky místních právních předpisů. Tyto podmínky však žádným způsobem neomezují práva spotřebitele popsaná v místní legislativě.

Rozsah platnosti

Pro spotřebiče, které jsou zakoupeny v jedné zemi EU a převezeny do jiné země EU, budou servisní služby prováděny v rámci záručních podmínek obvyklých v nové zemi. Povinnost provést servisní službu v rámci záruky existuje jen tehdy, pokud je spotřebič instalován a je ve shodě s:

- technickými požadavky platnými v zemi, ve které byla reklamáce v záruční době vznesena,
- pokyny k montáži a bezpečnostními informacemi v návodu k použití.

POPRODEJNÍ SERVIS spotřebičů IKEA

Neváhejte se obrátit na společnost IKEA:

- v případě požadavku na servis v rámci této záruky,
- dotazu týkajícího se vysvětlení funkce spotřebičů IKEA.

Než nás kontaktujete, přečtěte si pozorně pokyny k instalaci anebo návod k použití, abychom vám mohli poskytnout co nejlepší pomoc.

Kde nás najdete, když potřebujete servisní službu



Poprodejní středisko zákaznických služeb společnosti IKEA Vám telefonicky poradí s menšími problémy, ke kterým může u Vašeho spotřebiče dojít. Telefonní číslo nejbližší prodejny a otevírací dobu najdete v katalogu společnosti IKEA nebo na webové stránce www.ikea.com.

Abychom Vám mohli pomoci co nejrychleji, vždy uvádějte číslo položky IKEA (8místné číslo), které je uvedeno na výkonovém štítku Vašeho spotřebiče.

USCHOVEJTE SI ÚČTENKU!

Je to váš doklad o koupi a je nutný k uplatnění záruky. Na účtence je také uveden název a produktový kód IKEA (8místný kód) každého zakoupeného spotřebiče.

Potřebujete další pomoc?

Máte-li jakékoli další otázky, které nesouvisí s poprodejním servisem k vašemu spotřebiči, obraťte se na nejbližší kontaktní centrum obchodu IKEA. Než nás kontaktujete, doporučujeme přečíst si pozorně dokumentaci ke spotřebiči.

Contenido

Información de seguridad	137	Cuidado y limpieza.....	145
Instrucciones de seguridad	138	Solución de problemas.....	145
Descripción del producto.....	141	Datos técnicos	146
Indicadores	142	Eficiencia energética.....	147
Uso diario.....	142	Cuestiones medioambientales.....	147
Mesa de cocina.....	143	Garantía de IKEA	148
Guía de recipientes.....	143		

Información de seguridad

ⓘ Para su seguridad y para un funcionamiento correcto del aparato, lea atentamente este manual antes de su instalación y utilización. Guarde siempre estas instrucciones con el aparato, incluso en el caso de que lo cambie de lugar o lo venda. Los usuarios deben conocer completamente las características de funcionamiento y seguridad del aparato.

Uso correcto

- No deje el aparato sin vigilancia mientras esté funcionando.
- El aparato está diseñado exclusivamente para uso doméstico.
- El aparato está diseñado exclusivamente para uso interior.
- El aparato no debe ser utilizado como superficie de trabajo o de almacenamiento.
- No coloque sobre el aparato o en sus proximidades líquidos inflamables, materiales altamente inflamables u objetos que se puedan fundir (por ejemplo film plástico, plástico o aluminio).
- Tenga cuidado cuando conecte electrodomésticos a enchufes cercanos. Evite que los cables de conexión entren en contacto con el aparato o con los recipientes de cocción o se queden atrapados debajo de ellos.
- En caso de necesitar alguna reparación, póngase siempre en contacto con el servicio postventa local (consulte el capítulo de servicio técnico). Póngase siempre en contacto con su tienda de IKEA más cercana.

Seguridad de niños y personas vulnerables

- Este electrodoméstico puede ser utilizado por niños mayores de 8 años y por personas cuyas capacidades físicas, sensoriales o mentales estén disminuidas o que carezcan de la experiencia y conocimientos suficientes para manejarlo, siempre que cuenten con supervisión o se les instruya en el uso seguro del electrodoméstico y comprendan los riesgos que acarrea.
- Mantenga todos los materiales de embalaje fuera del alcance de los niños. Existe riesgo de asfixia.
- Mantenga a los niños lejos del aparato tanto cuando esté funcionando como cuando no lo esté.
- Debe mantenerse alejados a los niños menores de 8 años a menos que estén supervisados continuamente.
- No debe permitirse que los niños jueguen con el aparato. Los niños no podrán realizar la limpieza y el mantenimiento sin supervisión.

⚠ **¡ADVERTENCIA!** Active el bloqueo para niños para evitar que los niños pequeños y las mascotas puedan encender el aparato de forma involuntaria.

Seguridad general

- Mantenga despejadas las aberturas para ventilación tanto en la carcasa del aparato como en la estructura integrada.
- Para evitar lesiones, no toque el panel cuando el indicador de calor residual se encuentre encendido.

- No introduzca ningún objeto en la placa de inducción durante su funcionamiento para prevenir descargas eléctricas.
- No enrolle el cable alrededor del cuello para evitar el riesgo de estrangulación.
- No debe utilizarse un limpiador a vapor para la limpieza del aparato.
- No deben colocarse objetos metálicos como cuchillos, tenedores, cucharas y tapas sobre la superficie de la placa, ya que pueden calentarse.
- Después de su uso, apague la placa desde el panel de mandos y no confíe en el detector de recipientes.
- Este aparato no está destinado para su uso por medio de un temporizador externo o un sistema independiente de control remoto.
- Hay que tener cuidado de no tocar los elementos calentadores.
- Para evitar riesgos, si el cable de alimentación está dañado, debe ser reemplazado por el fabricante, el servicio técnico autorizado o por personal cualificado. Póngase en contacto con la tienda IKEA más cercana.
- Este aparato está concebido para utilizarse en entornos domésticos y similares, como:
 - zonas de cocina para empleados en tiendas, oficinas y otros entornos de trabajo;
 - granjas;
 - por clientes de hoteles, hostales y otros entornos residencias similares;
 - pensiones.

⚠ PRECAUCIÓN: superficie caliente. Es probable que las superficies se calienten durante su uso.

⚠ ¡ADVERTENCIA! Si la superficie está agrietada apague el aparato para evitar la posibilidad de descargas eléctricas. Póngase en contacto con la tienda IKEA más cercana.

⚠ ¡ADVERTENCIA! El aparato y sus partes accesibles se calientan durante su uso.

⚠ ¡ADVERTENCIA! Una comida que contenga grasa o aceite desatendida sobre la placa puede resultar peligrosa y comenzar a arder. NUNCA intente apagar un fuego con agua; apague el aparato y cubra el fuego, por ejemplo, con una tapa o con una manta ignífuga.

Instrucciones de seguridad

Instalación

- El fabricante no se hará responsable de las lesiones a personas o animales o de los daños a la propiedad causados por el incumplimiento de las siguientes disposiciones.
- ⚠ **¡PRECAUCIÓN!** Consulte la información de seguridad para realizar la instalación.
- ⚠ **¡ADVERTENCIA!** ¡La instalación debe realizarse conforme a las leyes, ordenanzas, directivas y normas (normas y regulaciones de seguridad eléctrica, reciclaje conforme a la normativa, etc.) en vigor en el país de uso!
- Evite instalar el dispositivo cerca de puertas y debajo de ventanas, ya que, cuando están abiertas, los recipientes pueden ser golpeados y caer de la placa.
- Asegúrese de que el aparato no ha resultado dañado durante el transporte. No conecte un aparato dañado.
- No instale el aparato si ha resultado dañado durante el transporte.
- No conecte la placa mediante cables alargadores ni con el cable atravesando las áreas de trabajo.
- No cambie las especificaciones ni modifique este producto. Riesgo de lesiones y daños en el aparato.
- ⚠ **¡ADVERTENCIA!** Siga cuidadosamente las instrucciones para realizar conexiones eléctricas.

Conexiones eléctricas

- Antes de realizar la conexión, compruebe que la tensión nominal especificada en la placa de características se corresponde con la tensión del suministro eléctrico. Compruebe también la potencia nominal del aparato y asegúrese de que la instalación eléctrica de su hogar se ajuste a dicha potencia nominal (consulte el capítulo de datos técnicos).
- La placa de características está localizada en la parte inferior de la carcasa de la placa.

⚠ ¡ADVERTENCIA! Riesgo de lesiones por corriente eléctrica.

- Una conexión floja o inapropiada entre la clavija y la toma de corriente puede provocar el sobrecalentamiento del terminal.

Antes de utilizarla:

Siga las siguientes instrucciones antes de utilizar el aparato.

- Utilice el enchufe normalizado para la alimentación eléctrica y compruébelo regularmente para prevenir daños.
- Ni usted ni ninguna otra persona no cualificada debe abrir el aparato. El aparato debe ser reparado únicamente por el servicio técnico o por algún técnico con una cualificación similar.
- Compruebe el cable de alimentación y la conexión. Si el cable de alimentación está dañado, no utilice el aparato. No tire del enchufe con las manos húmedas.
- No utilice un cable alargador y utilice únicamente el enchufe a la alimentación eléctrica.
- Si el aparato no se ha utilizado durante un largo periodo de tiempo, enciéndalo antes durante 10 minutos para que los componentes electrónicos se estabilicen. Luego puede comenzar a utilizar el aparato.
- No utilice el aparato cerca del agua, fuego o zonas mojadas. El aparato está diseñado ÚNICAMENTE para un uso doméstico.

- Antes del primer uso, retire todo el embalaje, las pegatinas y las cintas del aparato.
- Después de su uso, apague la placa desde el panel de mandos y no confíe en el detector de recipientes.
- ¡Riesgo de quemaduras! No coloque objetos metálicos como cuchillos, tenedores, cucharas y tapaderas en la superficie de la placa, ya que pueden calentarse.

⚠ ¡ADVERTENCIA! ¡Peligro de incendio! Las grasas y aceites sobrecalentados pueden arder con mucha rapidez.

⚠ ¡ADVERTENCIA! Los usuarios que utilicen marcapasos deben mantener la parte superior de su cuerpo a una distancia mínima de 30 cm de las zonas de inducción que estén encendidas.

⚠ ¡ADVERTENCIA! No maneje el aparato con las manos húmedas y mantenga seca la superficie del panel de control. Mucha agua sobre las teclas de control provocará que no puedan utilizarse.

⚠ ¡ADVERTENCIA! Si la superficie está agrietada apague el aparato para evitar la posibilidad de descargas eléctricas.

Durante y después de su uso:

Siga las siguientes instrucciones para prevenir la ignición y los accidentes.

- Coloque el aparato ÚNICAMENTE sobre una superficie plana y firme.
- Debe vigilarse que los niños no jueguen con el aparato.
- No coloque ningún otro objeto sobre el panel cuando el aparato esté en funcionamiento.
 - a) Acero inoxidable
 - b) Hierro
 - c) Hierro fundido
 - d) Aluminio
 - e) Tapaderas y objetos esmaltados
 - f) Cuchillos, tenedores o cucharas
 - g) Vajilla de hierro, acero inoxidable, hierro fundido o aluminio
 - h) Ollas o sartenes vacías

- No transporte ni mueva el aparato con recipientes encima mientras esté calentando.
- Mantenga alrededor un espacio suficiente para que haya ventilación durante el calentamiento.
- No inserte ningún objeto metálico ni cables en la entrada o salida de aire del dispositivo.
- Cuidado de la placa.
 - a) No deje caer objetos pesados sobre la placa.
 - b) No vierta agua, ácido o cualquier otro líquido sobre la placa.
 - c) No prenda fuego sobre la placa.
 - d) No coloque ningún recipiente caliente encima cuando no se esté utilizando el aparato.
 - e) Si la superficie (panel) está agrietada, apague el aparato inmediatamente para evitar las descargas eléctricas y llévelo a la tienda de IKEA más cercana.
 - f) Algunos recipientes para cocinar pueden generar ruido durante su uso. Mueva ligeramente el recipiente y el ruido disminuirá o desaparecerá. Si no lo hace, cambie de recipiente.
- No coloque el aparato sobre alfombras ni materiales de tela o papel cuando esté en funcionamiento.
- No toque la placa mientras esté caliente. La placa permanece caliente hasta que se apague el indicador de calor residual, incluso aunque esté desconectada.
- No desenchufe el aparato tirando del cable.
- Apague el aparato y déjelo enfriar antes de desenchufarlo. Desenchufe el cable de alimentación cuando el aparato no se vaya a utilizar durante un largo periodo de tiempo.
- Mantenga los recipientes alejados tras el uso.

Cómo evitar daños en el aparato

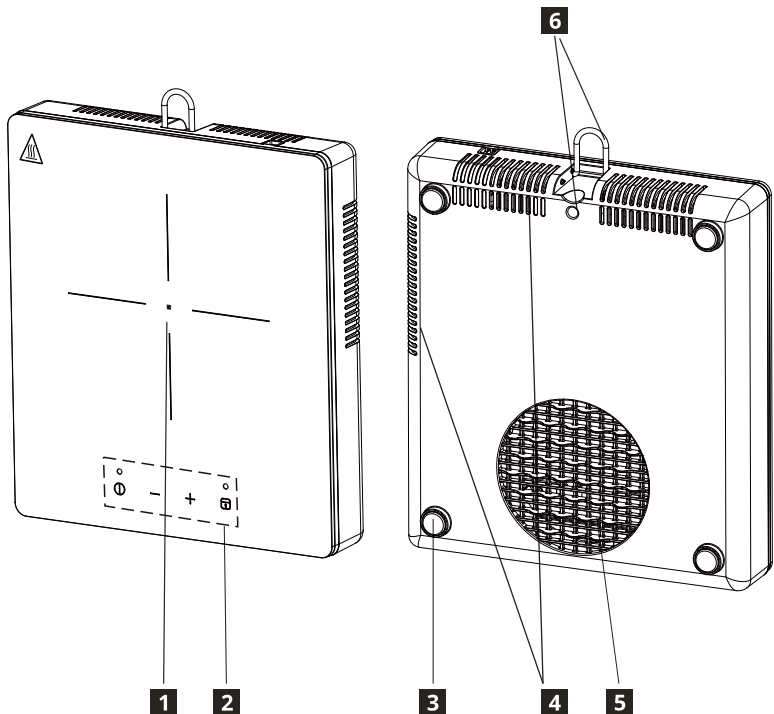
- La vitrocerámica puede sufrir daños por la caída de objetos o por golpes con los recipientes de cocina.
- Los recipientes de hierro fundido, aluminio fundido o con el fondo estropeado pueden rayar la vitrocerámica si se deslizan por su superficie.
- La vitrocerámica también puede resultar dañada si cae al suelo.
- Para evitar daños tanto en los recipientes como en la vitrocerámica, no deje cocer los recipientes en seco.
- No utilice las zonas de cocción con recipientes vacíos o sin recipientes.
- No cubra nunca ninguna parte del aparato con papel de aluminio. No coloque nunca plástico ni otro material que pueda fundirse sobre el aparato.

⚠ ¡ADVERTENCIA! Mantenga enchufado el aparato a la toma de corriente hasta que el ventilador y el indicador de calor se hayan apagado.

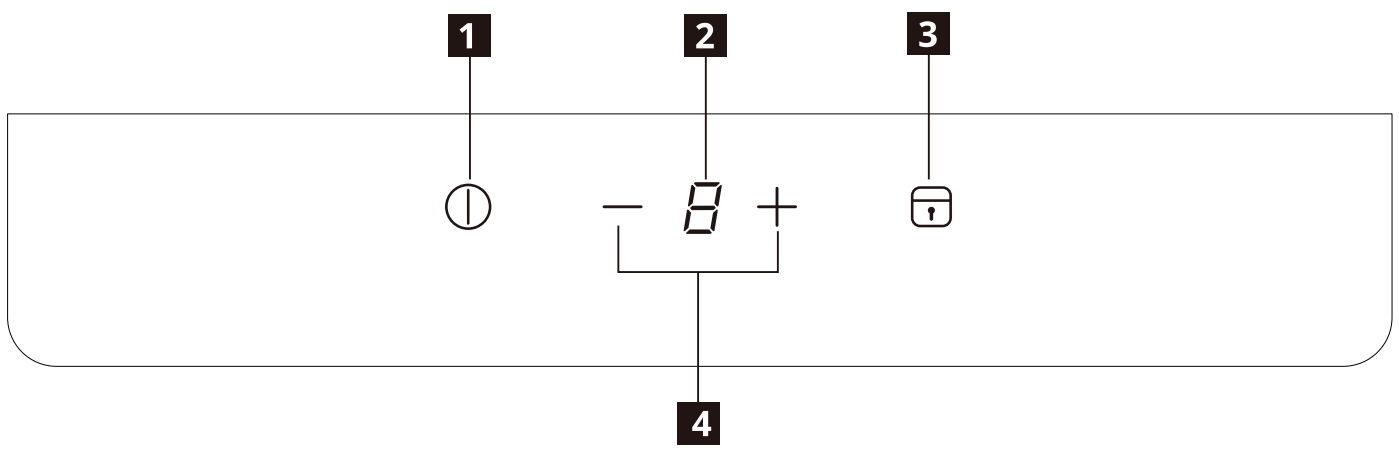
Información sobre la acrilamida

¡Importante! Según los más recientes conocimientos científicos, el tostado excesivo de la comida, especialmente de productos que contengan almidón, puede constituir un riesgo para la salud a causa de la acrilamida. Por ello se recomienda cocinar a la temperatura más baja posible y no tostar excesivamente los alimentos.

Descripción del producto



- 1** Área de calor
Zona de cocción
170 mm, 2000 W
- 2** Panel de control
- 3** Patas de silicona
- 4** Salida de aire
- 5** Entrada de aire
- 6** Gancho para colgar



Diseño del panel de control

- 1** Encendido/Apagado
- 2** Indicador del nivel de potencia
- 3** Bloqueo/bloqueo para niños
- 4** Ajuste del nivel de potencia - / +

Campos del sensor de control táctil e indicadores

La placa se maneja mediante los controles táctiles.
La selección de una función se confirma por medio de indicadores y señales acústicas (pitido breve).

Nivel de potencia	1	2	3	4	5	6	7	8	9
Potencia	150 W	250 W	300 W	450 W	600 W	800 W	1100 W	1500 W	2000 W


Indicadores

Olla mal colocada o ausente


Este símbolo aparece si la olla no es compatible con la cocina de inducción, no está bien colocada o no tiene el tamaño adecuado para la zona de cocción seleccionada. Si no se detecta ninguna olla en 30 segundos tras la selección, la zona de cocción se apagará.

Calor residual

Si el indicador muestra «H» quiere decir que la placa aún está caliente. Cuando la placa se enfríe el indicador desaparecerá.

⚠ ¡ADVERTENCIA! ¡Riesgo de quemaduras por calor residual! Las zonas de cocción necesitan un tiempo para enfriarse después de desconectar el aparato. Mire el indicador de calor residual .

Utilice el calor residual para fundir y para mantener las comidas calientes.

No desconecte el producto hasta que  haya desaparecido del visor.

Uso diario



Conexión a la toma de corriente

- Después de introducir el enchufe en la toma de corriente, se activa el bloqueo para niños. Mantenga pulsado el botón de bloqueo para niños durante 3 segundos para desactivarlo.

Encendido/Apagado

- Pulse el botón de ENCENDIDO/APAGADO, en el visor aparecerá «0» cuando esté en modo en espera y el indicador de encendido se iluminará. Si no se ha seleccionado ningún ajuste de calor en 30 segundos, la placa se apagará automáticamente sin pulsar el botón de ENCENDIDO/APAGADO.
- Si pulsa el botón de encendido/apagado mientras está funcionando, la placa se apagará.



Ajuste del nivel de potencia

- Pulse — o + para controlar el nivel de potencia durante el funcionamiento.
- Pulsando —, el nivel de potencia pasa directamente a «9». Pulse — para reducir el nivel de potencia de «9» a «1».
- Pulse +, el nivel de potencia aumentará desde «1». Pulse + para aumentar el nivel de potencia de «1» a «9».



Función de bloqueo

Cuando la zona de cocción esté en funcionamiento, podrá bloquear el panel de control para limpiar, por ejemplo, la placa. Esto evita el cambio accidental del ajuste del nivel de potencia. Estando bloqueada la placa puede apagarla mediante el botón de Encendido/Apagado.

Activar el bloqueo

- Establezca el nivel de potencia deseado.
- Pulse el botón de bloqueo durante 3 segundos. La función se activa cuando el indicador del botón de bloqueo se ilumina y se oye un aviso sonoro.

Desactivar el bloqueo

- Pulse el botón de bloqueo durante 3 segundos. La función se desactiva cuando el indicador del botón de bloqueo se apaga y se oye un aviso sonoro.
- El nivel de potencia volverá al ajuste anterior.

Función de bloqueo para niños

También puede mantener el panel de control bloqueado cuando la placa no esté en funcionamiento. Esta función previene un funcionamiento accidental del aparato.

Activar el bloqueo para niños

- Active el aparato con el botón de ENCENDIDO/APAGADO. No establezca ningún nivel de potencia.
- Pulse el botón de bloqueo durante 3 segundos. La función se activa cuando el indicador del botón de bloqueo se ilumina y se oye un aviso sonoro.
- Desactive el aparato con el botón de ENCENDIDO/APAGADO.

Desactivar el bloqueo para niños

1. Pulse el botón de bloqueo durante 3 segundos. La función se desactiva cuando el indicador del botón de bloqueo se apaga y se oye un aviso sonoro.

Apagado automático

Esta función desconecta automáticamente la

placa si:

- Todas las zonas de cocción están apagadas.
- No establece el nivel de potencia de la placa después de 30 segundos.
- No apaga una zona de cocción o no modifica el nivel de potencia después de 2 horas, o si se da un sobrecalentamiento (p. ej.: si una sartén se seca).

Mesa de cocina


Configuración térmica	Usar para:	Tiempo (min)	Consejos
1	• Mantenga los alimentos cocinados calientes.	según sea necesario	Ponga una tapa en los utensilios de cocina.
1-2	• Salsa holandesa, fundir: mantequilla, chocolate, gelatina.	5-25	Mezclar de vez en cuando.
2-3	• Hervir a fuego lento arroz y platos basados en leche, cocinar alimentos precocinados.	25-50	Añada al menos el doble de líquido al arroz y mezcle los platos con leche a mitad del proceso.
4-5	• Cocinar al vapor verduras, pescados, carne, patatas.	20-45	Añadir una pequeña cantidad de agua.
	• Cocinar mayores cantidades de alimentos y estofados.	60-150	Añadir una pequeña cantidad de agua.
5-6	• Freír suavemente: ternera de primera clase, chuletas, croquetas frías, salchichas, espesantes, huevos.	según sea necesario	Dar la vuelta a la mitad.
7-8	• Guisos y salteados, filetes.	5-15	Dar la vuelta a la mitad.
9	• Hervir agua, cocinar pasta, sellar carne (goulash, estofado), patatas fritas en abundante aceite.		

Guía de recipientes

Qué ollas utilizar

Utilice únicamente ollas y sartenes fabricadas con material ferromagnético aptas para el uso en placas de inducción:

- hierro fundido
- acero esmaltado
- acero al carbono
- acero inoxidable (aunque no todas)
- aluminio con revestimiento ferromagnético o placa ferromagnética

Para saber si una olla o sartén es apta, busque el símbolo  (normalmente grabado en la parte inferior). También puede acercar un imán a la parte inferior. Si se pega a la parte inferior, el recipiente sirve para las placas de inducción.

Para garantizar una máxima eficacia, utilice siempre ollas y sartenes con una parte inferior plana que distribuya el calor uniformemente. Si la parte inferior no es uniforme, afectará a la potencia y la conducción del calor.

Modo de uso

Diámetro mínimo de la olla/sartén para distintas zonas de cocción

Para asegurarse de que la placa funcione correctamente, la olla debe cubrir uno o más de los puntos de referencia indicados en la superficie de la placa y debe tener el diámetro mínimo indicado.

Utilice siempre la zona de cocción que mejor se corresponda con el diámetro de la parte inferior de la sartén.

Zona de cocción	Diámetro recomendado para los recipientes [mm]
Zona de cocción media posterior	120-180

Ollas y sartenes vacías o de base fina

No utilice ollas/sartenes vacías o de base fina sobre la placa, ya que esta no podrá monitorizar la temperatura ni apagarse automáticamente cuando la temperatura sea demasiado alta, dañando así la sartén o la superficie de la placa. Si esto sucede, no toque nada y espere a que los componentes se enfríen.

Si aparece un mensaje de error, consulte «Solución de problemas».

Consejos y pistas

Ruido mientras se cocina

Cuando una zona de cocción esté encendida, puede emitir un leve zumbido. Es característico de todas las placas vitrocerámicas y no afecta a la funcionalidad ni a la vida útil del aparato. El ruido depende del recipiente utilizado. Si hace demasiado ruido, pruebe a cambiar la olla o la sartén.

Ruidos de funcionamiento normales del la cocina

La tecnología de inducción se basa en la creación de campos electromagnéticos para generar calor directamente en la base de los utensilios de cocina. Las ollas y sartenes pueden provocar diversos ruidos o vibraciones dependiendo de su fabricación. Estos ruidos se indican a continuación:

Pitido bajo (como un transformador)

Este ruido ocurre cuando se cocina a fuego alto. Se basa en la cantidad de energía que pasa de la placa de cocción a los utensilios de cocina. El ruido para o se calma cuando se reduce el nivel de temperatura.

Silbido silencioso

Este ruido ocurre cuando el recipiente de cocción está vacío. Se detiene al introducir líquidos o alimentos.

Chasquidos

Este ruido ocurre con utensilios de cocina fabricados de diversos materiales superpuestos. Es causado por las vibraciones de las superficies donde existen diferentes materiales. El ruido ocurre en los utensilios de cocina y puede variar según la cantidad de alimentos o líquidos, y del método de cocción (p. ej., hervir, cocer a fuego lento, freír).

Silbido fuerte

Este ruido ocurre con utensilios de cocina de diferentes materiales superpuestos, cuando se utilizan a máxima potencia y en dos zonas de cocción. El ruido para o se calma cuando se reduce el nivel de temperatura.

Se rata de ruidos normales del ventilador

Para un funcionamiento óptimo del sistema eléctrico, es necesario regular la temperatura de la placa de cocción. Para ello, la placa de cocción cuenta con un ventilador de refrigeración, que se activa para reducir y regular la temperatura del sistema eléctrico. Asimismo, el ventilador puede seguir funcionando después de apagar el electrodoméstico si la temperatura detectada sigue siendo demasiado alta después de apagarlo.

Sonidos rítmicos, similares al tictac de un reloj

Este ruido ocurre únicamente cuando al menos tres zonas de cocción están en funcionamiento y para o se atenúa cuando alguna de ellas se apaga. Los ruidos indicados son situaciones normales de la tecnología de inducción y no se deben considerar defectos.

Cuidado y limpieza

⚠ ¡ADVERTENCIA! Apague el aparato y déjelo enfriar antes de desconectarlo.

⚠ ¡ADVERTENCIA! Apague el aparato y déjelo enfriar antes de limpiarlo.

⚠ ¡ADVERTENCIA! Por motivos de seguridad, no limpie el aparato con limpiadores de vapor o a presión.

⚠ ¡ADVERTENCIA! Los objetos afilados y los limpiadores abrasivos pueden dañar el aparato. Limpie el aparato y elimine los residuos con agua y lavavajillas después de cada uso. ¡Elimine todos los residuos de agentes limpiadores!

ⓘ Los arañazos y manchas oscuras que no puedan eliminarse de la vitrocerámica no afectan al funcionamiento del aparato.

Eliminación de residuos normales y difíciles:

- Los residuos de alimentos que contengan azúcar, de plásticos y de láminas de estaño deben quitarse inmediatamente. La mejor herramienta para la limpieza de la superficie de cristal es un rascador (no incluido con el aparato). Coloque el rascador en ángulo sobre la superficie vitrocerámica y elimine los residuos deslizando la hoja sobre la superficie. Limpie el aparato con un paño húmedo y un poco de líquido lavavajillas. Finalmente frote el aparato con un paño cuando se haya secado.
- Los cercos de cal y de agua, salpicaduras de grasa y decoloraciones metálicas brillantes deben limpiarse cuando el aparato se haya enfriado totalmente utilizando un limpiador para vitrocerámica o acero inoxidable.

Solución de problemas

Problema	Causa posible	Solución
El aparato no funciona.	Falta de suministro eléctrico o cortocircuito en el suministro en casa.	
	No se ha realizado correctamente la conexión del enchufe.	Compruebe que la alimentación esté bien conectada a la placa.
	Han pasado más de 10 segundos desde que la placa se ha encendido.	Vuelva a encender la placa.
	El bloqueo para niños está activado.	Desactive el bloqueo para niños. (Consulte la sección «Seguro para niños»).
	Se han tocado varios sensores al mismo tiempo.	Toque un solo sensor.
El aparato deja de funcionar. Indicación de error: U → U	El recipiente no es adecuado para la inducción.	Cambie el recipiente y utilice uno adecuado para inducción.
	No hay ningún recipiente sobre la zona de cocción o el diámetro de este es menor de 120 mm.	Coloque un recipiente en la zona de cocción.
El aparato deja de funcionar. Indicación de error: E → 2	El recipiente está vacío (cocción en seco) o la temperatura de cocción es demasiado alta.	Apague el aparato y vuelva a encenderlo después de 5 minutos. Si sigue apareciendo E2, póngase en contacto con la tienda de IKEA más cercana.
	La entrada y la salida de aire están bloqueadas.	
	La temperatura del entorno es demasiado alta.	
El aparato deja de funcionar. Indicación de error: E → 3	La alimentación de corriente es superior a 275 V CA.	Cambie a una alimentación de corriente adecuada para el aparato.
El aparato deja de funcionar. Indicación de error: E → 4	La alimentación de corriente es inferior a 100 V CA.	Cambie a una alimentación de corriente adecuada para el aparato.

El aparato deja de funcionar. Indicación de error: [E] → [5]	El sensor de la temperatura del aparato no funciona.	Póngase en contacto con la tienda IKEA más cercana.
El aparato deja de funcionar. Indicación de error: [E] → [6]		
El aparato deja de funcionar. Indicación de error: [E] → [0]	Error interno	Apague el aparato y vuelva a encenderlo después de 5 minutos. Si sigue apareciendo EO, póngase en contacto con la tienda de IKEA más cercana.

El código de error aparece si la placa está encendida y se detecta algún error, se muestra la letra E y un número de forma intermitente (1 segundo) y alternativa.

Si hay algún fallo, intente resolverlo siguiendo las pautas de resolución de problemas. Si no puede resolver el problema, póngase en contacto con la tienda de IKEA más cercana.

ⓘ Si utilizó el aparato de forma incorrecta, puede que la reparación no se realice de forma gratuita, incluso durante el periodo de garantía.

Datos técnicos

Modelo	14CP12301
Tipo de placa	Placa de inducción independiente
Número de zonas y/o áreas de cocción	1
Potencia nominal	2000 W
Tensión nominal	220-240 V~
Frecuencia nominal	50-60 Hz
Fondo	305 mm
Ancho	270 mm
Alto	62 mm
Peso neto	2,33 kg

Número de serie (comienza con SN, código de 22 dígitos)
 Número de artículo (código de 8 dígitos)

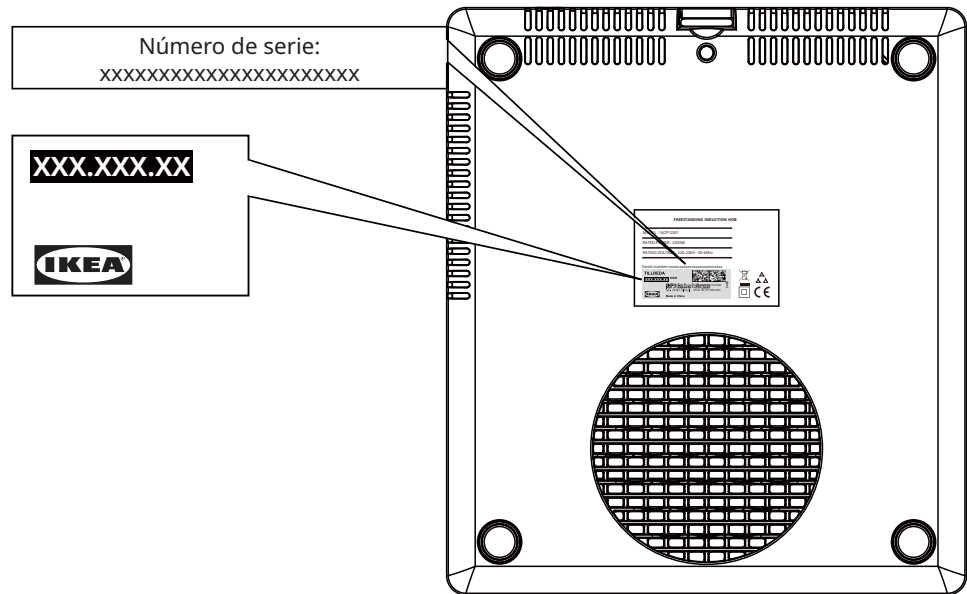



Imagen solo de referencia

Eficiencia energética

Identificación del modelo	14CP12301
Tipo de placa	Dispositivo portátil
Números de zonas de cocción	1
Tecnología de calentamiento	Inducción
Diámetro de las zonas de cocción circulares (Ø)	170 mm
Consumo de energía por zona de cocción (cocina eléctrica de la CE)	184 Wh/kg
Consumo de energía de la placa (placa eléctrica de la CE)	184 Wh/kg
Información del producto acerca del consumo de energía y el tiempo necesario para alcanzar el modo de bajo consumo	modo apagado: 0,5 W
Tiempo máximo necesario para alcanzar el modo de bajo consumo	5 segundos
Directiva 2009/125/CE, NORMATIVA DE LA COMISIÓN (UE) No. 66/2014, EN 60350-2:2018+A1:2021.	

Cuestiones medioambientales


Eliminación de electrodomésticos

El símbolo  en el producto y en el embalaje indica que este producto no puede ser tratado como residuo doméstico. Este producto debe eliminarse en el punto de recogida para reciclaje de equipamiento eléctrico y electrónico. La correcta eliminación de este producto ayuda a prevenir las consecuencias negativas para el medio ambiente y la salud. Para obtener una información más detallada sobre el reciclaje de este producto, póngase en contacto con las autoridades locales, el servicio de recogida de residuos domésticos o el comercio donde ha adquirido el producto.

⚠ ¡ADVERTENCIA! Realice los siguientes pasos para la eliminación del aparato:

- Desenchúfelo de la toma de corriente de red.
- Corte el cable de alimentación y elimínelo.

Eliminación de los materiales de embalaje

Los materiales marcados con el símbolo  son reciclables. Deposite el embalaje en un contenedor adecuado para su reciclaje.

Ahorro de energía

- Coloque siempre las tapaderas en los recipientes siempre que sea posible.
- Coloque el recipiente en la zona de cocción antes de encenderla.
- El fondo del recipiente debe ser lo más grueso y plano posible.

Garantía de IKEA

¿Durante cuánto tiempo tiene validez la garantía de IKEA?

Esta garantía tiene validez durante 2 años desde la fecha de compra original del dispositivo en IKEA, a menos que la normativa nacional especifique lo contrario. Visite IKEA.com para saber qué normas se aplican en su país.

Como justificante de la compra, necesitará la factura o recibo de compra original. El periodo de garantía no se extenderá si se realizan reparaciones en el dispositivo mientras este se encuentre en garantía.

¿Quién llevará a cabo el servicio?

Póngase en contacto con la tienda IKEA más cercana.

¿Qué cubre la garantía?

La garantía cubre las averías del aparato provocadas por una mala construcción o por defectos en los materiales desde la fecha de compra en IKEA.

La garantía solo se aplica a usos domésticos.

Las excepciones están especificadas bajo el encabezado: «¿Qué no cubre la garantía?». Durante el periodo de garantía, se cubrirán los gastos producidos por las averías (p. ej.: reparaciones, piezas, mano de obra y viaje), siempre que se pueda acceder al aparato para su reparación sin gastos adicionales. Las piezas sustituidas pasarán a ser propiedad de IKEA.

¿Qué hará IKEA para solucionar el problema?

IKEA examinará el producto y decidirá, según su propio criterio, si queda cubierto por la garantía. En caso afirmativo, IKEA decidirá según su criterio si reparará el producto defectuoso o lo reemplazará por otro igual o similar.

¿Qué no cubre la garantía?

- El deterioro o desgaste normal.
- Daños deliberados o causados por negligencia, daños causados por incumplimiento de las instrucciones de funcionamiento, instalación incorrecta, conexión a una tensión incorrecta, daños causados por reacciones químicas o electroquímicas, óxido, corrosión o daños causados por el agua incluyendo pero sin limitarse a los daños causados por un exceso de cal en el agua, y los daños provocados por condiciones medio ambientales anormales.
- Piezas consumibles, incluyendo las baterías y las bombillas.

- Piezas no funcionales y decorativas, que no afecten el uso normal del aparato, incluido cualquier posible arañazo y las diferencias de color.
- Daños accidentales provocados por sustancias u objetos extraños, por la limpieza o por el desbloqueo de los filtros, los sistemas de vaciado o los receptáculos de jabón.
- Daños provocados en las siguientes piezas: vidrio cerámico, accesorios, cestos para la vajilla y los cubiertos, tuberías de llenado o vaciado, juntas, bombillas o sus cubiertas, pantallas, mandos, revestimientos y partes de los revestimientos protectores. Salvo que se demuestre que tales daños hayan sido provocados por fallos de fabricación.
- Reparaciones no realizadas por nuestros proveedores de servicios y/o un servicio autorizado por IKEA, o cuando se utilicen piezas no originales.
- Reparaciones provocadas por una instalación defectuosa o que no cumpla las especificaciones de instalación.
- Uso del electrodoméstico en un entorno no-doméstico, por ejemplo en uso profesional.
- Daños de transporte. Si un cliente transporta el producto a su casa o a otra dirección, IKEA no se responsabiliza de los daños que pueda sufrir en el trayecto.
No obstante, si IKEA entrega el producto en la dirección indicada por el cliente, los daños en el producto producidos con motivo del transporte serán cubiertos por IKEA.
- Coste de la instalación inicial del aparato IKEA. No obstante, si algún proveedor de servicios designado por IKEA o un colaborador de servicios autorizado repara o reemplaza el aparato según los términos de esta garantía, el proveedor de servicios designado o el colaborador de servicios autorizado volverá a instalar el aparato reparado o instalará uno de recambio, si fuese necesario.

¿Cómo se aplica la ley nacional?

La garantía de IKEA le concede algunos derechos legales que cubren o exceden todas las exigencias locales. No obstante, estas condiciones no limitan de ningún modo los derechos de los consumidores descritos en la legislación local.

Área de validez

Para aparatos adquiridos en un país de la UE que se lleven a otro país de la UE, se ofrecerán los servicios en el marco de las condiciones de garantía normales del nuevo país. Existe la obligación de ofrecer los servicios en el marco de la garantía solo si el aparato cumple y se instala de acuerdo con:

- las especificaciones técnicas del país en el que se reclame la garantía;
- las instrucciones de montaje y la información de seguridad del Manual del Usuario.

SERVICIO POSTVENTA para electrodomésticos IKEA

No dude en contactar con IKEA para:

- solicitar algún servicio que cubra esta garantía;
- solicitar aclaraciones sobre las funciones de los aparatos IKEA.

Para asegurar de que le proporcionaremos la mejor asistencia, por favor, lea atentamente las Instrucciones de Montaje y/o el Manual de Instrucciones antes de contactar con nosotros.

¿Cómo contactar con nosotros si necesita nuestro servicio?



El servicio de atención al cliente de IKEA le ayudará telefónicamente en la solución de problemas básicos de su aparato en el momento de la llamada. Por favor, consulte el catálogo IKEA o visite la página web www.ikea.com para localizar el número de teléfono de su tienda local y los horarios de apertura.

Para poder proporcionarle un servicio más rápido, indique siempre el número de artículo IKEA (código de 8 dígitos) que se encuentra en la placa de características técnicas de su aparato.

¡GUARDE LA FACTURA O EL RECIBO DE COMPRA!

Es el comprobante de compra y es necesaria para solicitar la garantía. El recibo también incluye el nombre y el número del producto (8 dígitos) de IKEA, para cada uno de los electrodomésticos que compre.

¿Necesita ayuda adicional?

Para todas las cuestiones adicionales no relacionadas con el Centro de servicio autorizado sobre sus aparatos, por favor, diríjase a la central telefónica de la tienda IKEA más cercana. Le recomendamos que lea atentamente la documentación del aparato antes de contactar con nosotros.

Sommario

Informazioni per la sicurezza	150	Manutenzione e pulizia	158
Istruzioni per la sicurezza	151	Risoluzione dei problemi	158
Descrizione del prodotto	154	Dati tecnici	159
Indicatori	155	Efficienza energetica	160
Uso quotidiano	155	Consigli per la tutela dell'ambiente	160
Piano cottura	156	Garanzia IKEA	161
Guida alla cottura	156		

Informazioni per la sicurezza

- ⓘ Per la sicurezza dell'utente e il corretto funzionamento dell'apparecchio, leggere il presente manuale con estrema attenzione prima dell'installazione e dell'uso. Conservare sempre queste istruzioni assieme all'apparecchio, anche in caso di trasferimento o vendita. L'utente deve acquisire dimestichezza con il funzionamento e le dotazioni di sicurezza dell'apparecchio.

Uso corretto dell'apparecchio

- Non lasciare l'apparecchio incustodito durante l'uso.
- L'apparecchio è destinato solo all'uso domestico.
- L'apparecchio è destinato solo all'uso in ambienti interni.
- L'apparecchio non deve essere utilizzato come superficie di lavoro o piano di appoggio.
- Non posizionare né conservare liquidi infiammabili, materiale facilmente infiammabile oppure oggetti che possono fondere (ad esempio, pellicola per alimenti, plastica, alluminio) sull'apparecchio o nelle sue immediate vicinanze.
- Prestare attenzione nel collegare altri apparecchi alle prese collocate nelle vicinanze. Non lasciare che i cavi di collegamento vengano in contatto o rimangano intrappolati sotto all'apparecchio o al tegame caldo.
- Non eseguire riparazioni da soli in quanto tali interventi potrebbero causare ferite alla persona e danni all'apparecchio. Contattare sempre il punto vendita IKEA più vicino.

Sicurezza dei bambini e delle persone vulnerabili

- Questo apparecchio può essere usato da bambini a partire dagli 8 anni e da adulti con limitate capacità fisiche, sensoriali o mentali o con scarsa esperienza o conoscenza sull'uso dell'apparecchio, solamente se sorvegliati o se istruiti relativamente all'uso dell'apparecchio e se hanno compreso i rischi che ne derivano.
- Tenere i materiali di imballaggio fuori dalla portata dei bambini. Vi è il rischio di soffocamento.
- Tenere lontani i bambini dall'apparecchio sia quando è in funzione sia quando non è in uso.
- Tenere fuori dalla portata di bambini di età inferiore agli 8 anni se non supervisionati di continuo.
- I bambini non devono giocare con l'apparecchio. La pulizia e gli interventi di manutenzione non devono essere eseguiti dai bambini senza supervisione.

⚠ AVVERTENZA! Attivare il blocco di sicurezza, per evitare che i bambini e gli animali possano accendere involontariamente l'apparecchio.

Sicurezza generale

- Non ostruire le prese di ventilazione presenti nell'involucro esterno o nella struttura interna dell'apparecchio.
- Non toccare il pannello quando l'indicatore di calore residuo è ancora acceso. Rischio di ferite alla persona.
- Non inserire alcun oggetto nel piano a induzione. Rischio di scosse elettriche.

- Non avvolgere il cavo intorno al collo. Rischio di strangolamento.
- Un pulitore a vapore non deve essere utilizzato per pulire l'apparecchio.
- Oggetti metallici come coltelli, forchette, cucchiari e coperchi non devono essere posti sul piano di cottura in quanto possono diventare caldi.
- Dopo l'uso, spegnere l'elemento del piano a induzione mediante il suo controllo e non fare affidamento sul rivelatore della pentola.
- Questo apparecchio non è destinato ad essere operato attraverso un timer esterno o un sistema di controllo remoto separato.
- Far attenzione a non toccare gli elementi riscaldanti.
- Se il cavo di alimentazione è danneggiato, deve essere sostituito dal produttore, da un tecnico autorizzato o da una persona qualificata per evitare situazioni di pericolo. Contattare il negozio IKEA più vicino.
- L'apparecchio è destinato all'uso domestico e ad applicazioni simili, tra cui:
 - nelle aree adibite a cucina di negozi, uffici e altri ambienti di lavoro;
 - agriturismi;
 - dai clienti degli hotel, dei motel e di altre strutture di tipo residenziale;
 - strutture del tipo Bed & Breakfast.

⚠ ATTENZIONE: le superfici possono diventare molto calde durante l'uso.

⚠ AVVERTENZA! Se la superficie è lesionata, spegnere l'apparecchio per evitare la possibilità di scossa elettrica. Contattare il negozio IKEA più vicino.

⚠ AVVERTENZA! L'apparecchio e le sue parti accessibili diventano calde durante l'uso.

⚠ AVVERTENZA! La cottura non controllata su un piano di cottura con grasso od olio può essere pericolosa e comportare un incendio. Non provare MAI a spegnere un incendio con acqua; spegnere l'apparecchio e coprire la fiamma, ad esempio con un coperchio o una coperta antifiama.

Istruzioni per la sicurezza

Installazione

- Il produttore non è responsabile di ferimenti a persone o animali nonché di danni alle proprietà causati dalla non osservanza delle seguenti istruzioni.
- ⚠ **ATTENZIONE!** Per procedere con l'installazione si rimanda al capitolo Informazioni per la Sicurezza.
- ⚠ **AVVERTENZA!** L'installazione deve essere conforme a leggi, ordinanze e standard vigenti nel paese in cui l'apparecchio è utilizzato (norme e regolamenti per la sicurezza elettrica, riciclo appropriato secondo la norma, ecc.).
- Evitare di installare l'apparecchio in prossimità di porte o sotto le finestre; la loro apertura improvvisa può provocare la caduta del tegame presente sul piano a induzione.
- Assicurarsi che l'apparecchio non abbia subito danni durante il trasporto. Non collegare l'apparecchio se danneggiato.
- Non installare l'apparecchio se ha subito danni durante il trasporto.
- Non collegare il piano a induzione utilizzando delle prolunghe. Non lasciare che il cavo passi attraverso le aree di lavoro del piano a induzione.
- Non alterare le specifiche dell'apparecchio. Non modificare il prodotto. Vi è il rischio di lesioni e danneggiamento dell'apparecchio.
- ⚠ **AVVERTENZA!** Seguire attentamente le istruzioni per il collegamento elettrico.

Collegamenti elettrici

- Prima di collegare l'apparecchio, verificare che la tensione nominale riportata sulla targhetta identificativa corrisponda alla tensione dell'alimentazione di rete disponibile. Verificare, inoltre, la potenza

nominale dell'apparecchio e assicurarsi che l'impianto elettrico domestico sia adeguatamente dimensionato in base alla potenza dell'apparecchio (fare riferimento al capitolo dei dati tecnici).

- La targhetta identificativa è posizionata sul lato inferiore del piano a induzione.

⚠ AVVERTENZA! Rischio di lesioni a causa della corrente elettrica.

- Il collegamento allentato o inadeguato a prese e spine può causare il surriscaldamento del morsetto.

Prima dell'utilizzo:

Prestare molta attenzione alle seguenti istruzioni prima dell'uso.

- Usare la presa standard di rete e controllarla regolarmente per evitare ogni danneggiamento.
- Non aprire l'apparecchio da soli e non lasciare che personale non qualificato esegua questa operazione. L'apparecchio deve essere riparato unicamente dal tecnico dell'assistenza o da una persona altrettanto qualificata.
- Controllare il cavo e la spina. Se il cavo di alimentazione o la spina sono danneggiati, non utilizzare l'apparecchio. Non staccare la spina con mani bagnate.
- Non utilizzare prolunghe. Fare uso solo della presa di rete.
- Se l'apparecchio non viene utilizzato per un lungo periodo di tempo, accendere l'apparecchio per almeno 10 minuti prima dell'uso per stabilizzare il componente elettronico. Trascorso questo tempo, sarà possibile utilizzare l'apparecchio.
- Non utilizzare l'apparecchio in prossimità di acqua, fuoco o in un ambiente umido. L'apparecchio è pensato **ESCLUSIVAMENTE** per un uso domestico interno.
- Rimuovere l'imballaggio, gli adesivi e la pellicola prima di utilizzare l'apparecchio.
- Dopo ogni utilizzo spegnere le zone di cottura attraverso i controlli. Non fare affidamento al rilevatore elettrico.
- Rischio di scottature! Non appoggiare sulla superficie di cottura oggetti di metallo come coltelli, forchette, cucchiai

e coperchi di padella poiché potrebbero riscaldarsi.

⚠ AVVERTENZA! Pericolo di incendio! I grassi e gli oli surriscaldati si infiammano molto rapidamente.

⚠ AVVERTENZA! I portatori di pacemaker devono rispettare una distanza di almeno 30 cm tra la parte superiore del corpo e le zone di cottura accese.

⚠ AVVERTENZA! Non utilizzare l'apparecchio con le mani bagnate e mantenere asciutta la superficie del pannello di controllo. Un ingente quantitativo di acqua può mettere fuori uso i tasti del pannello dei comandi.

⚠ AVVERTENZA! Se la superficie presenta delle crepe, spegnere l'apparecchio per evitare il rischio di scosse elettriche.

Durante e dopo l'uso:

Prestare particolare attenzione alle seguenti istruzioni per evitare il rischio di incendi e incidenti.

- Posizionare l'apparecchio su una superficie piana e stabile.
- I bambini devono essere sorvegliati per sincerarsi che non giochino con l'apparecchio.
- Non posizionare i seguenti oggetti sul piano cottura quando l'apparecchio è in funzione.
 - a) Acciaio inossidabile
 - b) Ferro
 - c) Ghisa
 - d) Alluminio
 - e) Coperchi e tegami smaltati
 - f) Coltelli, forchette e cucchiai
 - g) Piastre in ferro, acciaio inossidabile, ghisa o alluminio
 - h) Tegami vuoti
- Non trasportare o spostare l'apparecchio quando sul piano cottura sono presenti pentole che si stanno riscaldando.
- Durante il riscaldamento consentire una buona ventilazione nell'ambiente circostante.

- Non inserire fili od oggetti metallici nella presa di ingresso e di uscita dell'aria dell'apparecchio.
- Come prendersi cura del pannello.
 - a) Non far cadere nessun oggetto pesante sul pannello.
 - b) Non versare acqua, acido o qualsiasi altro liquido sul pannello.
 - c) Non bruciare nulla sul pannello.
 - d) Non posizionare pentole calde sul piano cottura quando l'apparecchio non viene utilizzato.
 - e) Se la superficie (il piano cottura) presenta delle crepe, spegnere immediatamente l'apparecchio per evitare il rischio di scosse elettriche e restituire il prodotto al punto vendita IKEA più vicino.
 - f) Il tegame a volte può generare rumore durante l'uso. Spostare leggermente il tegame utilizzato per la cottura: così facendo, il rumore si riduce o scompare. Se ciò non si verifica, cambiare tegame.
- Non posizionare l'apparecchio su tappeti, tessuti o carta mentre è in funzione.
- Non toccare il piano cottura quando è caldo. Il piano cottura rimane caldo fino a quando l'indicatore di calore residuo si spegne. Ciò avviene anche in assenza di potenza.
- Non scollegare l'apparecchio tirando il cavo.
- Spegnere l'apparecchio e lasciarlo raffreddare prima di scollegarlo. Scollegare il cavo di alimentazione quando l'apparecchio non viene utilizzato per un lungo periodo di tempo.
- Rimuovere le pentole dall'apparecchio dopo l'uso.

Come evitare danni all'apparecchio

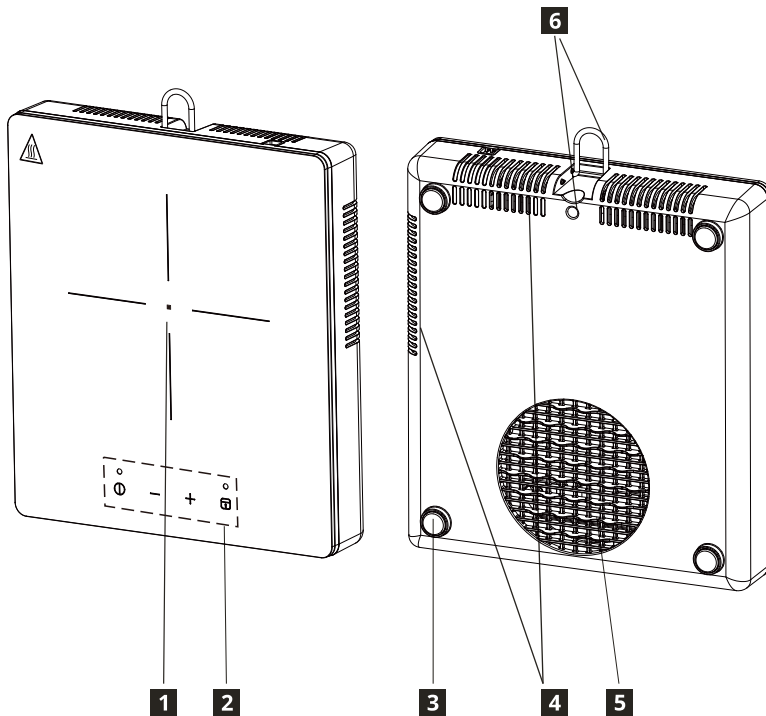
- Il piano in vetroceramica può essere danneggiato dalla caduta di oggetti oppure da urti con pentole.
- Lo spostamento di pentole in ghisa, alluminio pressofuso o con basi danneggiate può graffiare la vetroceramica se vengono fatte strisciare sulla superficie.
- La vetroceramica si può danneggiare anche se cade a terra.
- Evitare la cottura con tegami e padelle vuoti, poiché ciò potrebbe danneggiare le pentole e la superficie in vetroceramica.
- Non mettere in funzione le zone di cottura se non sono presenti tegami o se sono vuoti.
- Non avvolgere mai con fogli di alluminio alcuna parte dell'apparecchio. Non posizionare mai dentro o sopra l'apparecchio oggetti in plastica o di qualsiasi altro materiale che potrebbero sciogliersi.

⚠ AVVERTENZA! Lasciare il prodotto collegato alla presa di rete dopo l'uso fino allo spegnimento della ventola e dell'indicatore di calore.

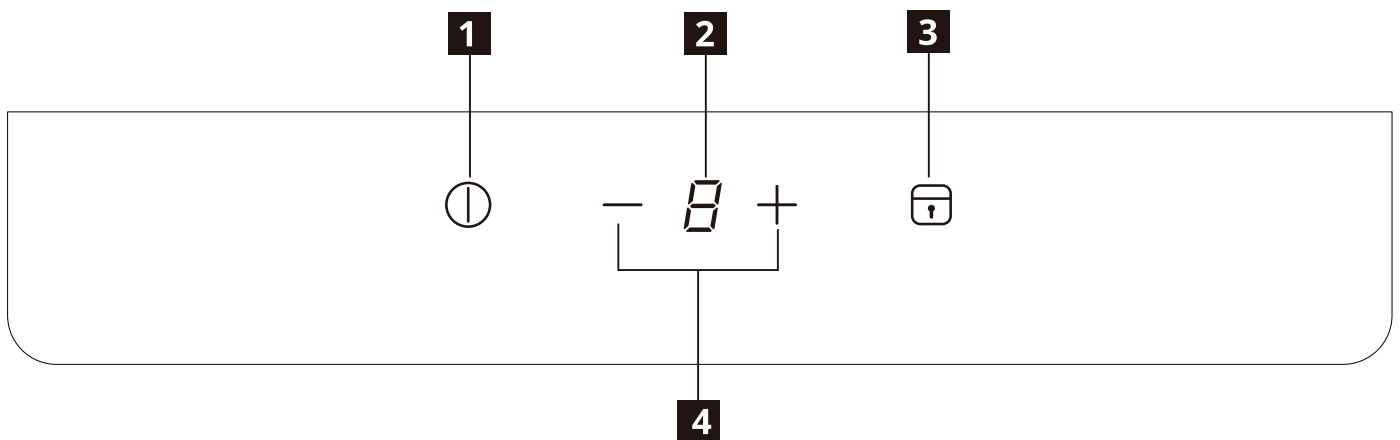
Informazioni sull'acrilamide

Importante! Secondo le ultime scoperte scientifiche, la cottura intensiva del cibo, specialmente dei prodotti contenenti amido, può costituire un rischio per la salute a causa dell'acrilamide. Quindi, si raccomanda di cucinare alle temperature più basse possibili e non far scurire troppo i cibi.

Descrizione del prodotto



- 1** Area di riscaldamento
Zona di cottura 170 mm,
2.000 W
- 2** Pannello di controllo
- 3** Piedi in silicone
- 4** Uscita dell'aria
- 5** Presa d'aria
- 6** Gancio



Configurazione del pannello di controllo

- 1** Accensione/spengimento
- 2** Visualizzazione del livello di potenza
- 3** Fermo/Blocco di sicurezza per i bambini
- 4** Impostazione del livello di potenza - / +

Tasti sensore Touch Control e display

Le funzioni del piano a induzione sono azionate mediante sfioramento dei tasti sensore. La corretta selezione di una funzione è confermata dai display e da emissioni sonore (breve segnale acustico).

Livello di potenza	1	2	3	4	5	6	7	8	9
Potenza	150 W	250 W	300 W	450 W	600 W	800 W	1.100 W	1.500 W	2.000 W

Indicatori


Tegame non posizionato correttamente o assente


Questo simbolo viene visualizzato quando la pentola non è adatta per la cottura a induzione, non è posizionata correttamente o non è delle dimensioni adatte per la zona di cottura selezionata. Se non viene rilevata la presenza di un tegame entro 30 secondi dopo la selezione, la zona di cottura si spegne.

Calore residuo

Se sul display viene visualizzato il simbolo "H", significa che la zona di cottura è ancora

calda. Una volta che la zona di cottura si sarà raffreddata, il display si spegnerà.

⚠ AVVERTENZA! Rischio di scottature da calore residuo! Dopo lo spegnimento dell'apparecchio, le zone di cottura necessitano di alcuni minuti per raffreddarsi. Fare attenzione all'indicatore di calore residuo .

È possibile sfruttare il calore residuo per scongelare o tenere le pietanze al caldo. Per scollegare il prodotto aspettare che  non sia più visualizzato sul display.

Uso quotidiano



Collegamento alla presa

1. Dopo aver inserito la spina nella rete di alimentazione, il blocco di sicurezza per bambini si attiva. Per disattivarlo premere e lasciare premuto per 3 secondi il tasto Blocco di sicurezza per bambini.

Accensione/spegnimento

1. Premendo il tasto di ACCENSIONE/SPEGNIMENTO, sul display viene visualizzato "0" come in modalità stand-by e l'indicatore di alimentazione si accende. Se non viene selezionata alcuna impostazione di calore entro 30 secondi, il piano a induzione si spegnerà automaticamente senza che sia necessario premere il tasto di ACCENSIONE/SPEGNIMENTO.
2. Premendo il tasto di ACCENSIONE/SPEGNIMENTO durante il funzionamento, il piano a induzione si spegne.



Impostazione del livello di potenza

1. Premere — o + per controllare il livello di potenza durante l'uso.
2. Premendo —, il livello di potenza arriverà a "9". Premere — per diminuire il livello di potenza da "9" a "1".
3. Premendo + il livello di potenza aumenterà partendo da "1". Premere + per aumentare il livello di potenza da "1" a "9".



Funzione di blocco

Quando la zona di cottura è accesa, è possibile bloccare il pannello di controllo, ad esempio per pulire il piano a induzione. In questo modo sarà possibile evitare una variazione accidentale dell'impostazione del livello di potenza. È possibile spegnere il piano a induzione con il tasto di ACCENSIONE/SPEGNIMENTO.

Attivazione del blocco

1. Impostare il livello di potenza desiderato.
2. Premere il tasto di blocco per 3 secondi. La funzione è attiva quando l'indicatore del tasto di blocco si accende e viene emesso un segnale acustico.

Disattivazione del blocco

1. Premere il tasto di blocco per 3 secondi. La funzione è disattivata quando l'indicatore del tasto di blocco si spegne e viene emesso un segnale acustico.
2. A questo punto, il livello di potenza tornerà all'impostazione precedente.

Funzione di blocco per bambini

È possibile inoltre bloccare il pannello di controllo quando il piano cottura non è in funzione. Questa funzione impedisce l'azionamento accidentale dell'apparecchio.

Attivazione del blocco per bambini

1. Attivare l'apparecchio con il tasto di ACCENSIONE/SPEGNIMENTO. Non impostare alcun livello di potenza.
2. Premere il tasto di blocco per 3 secondi. La funzione è attiva quando l'indicatore del tasto di blocco si accende e viene emesso un segnale acustico.
3. Disattivare l'apparecchio con il tasto di ACCENSIONE/SPEGNIMENTO.

Disattivazione del blocco per bambini

1. Premere il tasto di blocco per 3 secondi. La funzione è disattivata quando l'indicatore del tasto di blocco si spegne e viene emesso un segnale acustico.

Spegnimento automatico

Il piano a induzione si spegne automaticamente quando:

- Tutte le zone di cottura sono spente.
- Non è stato impostato il livello di potenza entro 30 secondi dall'accensione del piano a induzione.
- La zona di cottura non è stata spenta, il livello di potenza non è stato modificato entro 2 ore, oppure si è verificato un surriscaldamento (ad esempio, una padella scaldata da vuota).

Piano cottura

Impostazione della temperatura	Utilizzo per:	Tempo (min)	Consigli
1	<ul style="list-style-type: none"> • Mantenimento degli alimenti al caldo. 	In base alle esigenze	Posizionare un coperchio sulla pentola.
1-2	<ul style="list-style-type: none"> • Salsa olandese, scioglimento di burro, cioccolato, gelatina. 	5-25	Mescolare di tanto in tanto.
2-3	<ul style="list-style-type: none"> • Cottura a fuoco lento di riso e piatti a base di latte, riscaldamento di piatti pronti. 	25-50	Aggiungere almeno il doppio del liquido rispetto al riso e mescolare i piatti a base di latte a metà del procedimento.
4-5	<ul style="list-style-type: none"> • Cottura a vapore di verdure, pesce, carne e patate. 	20-45	Aggiungere una piccola quantità d'acqua.
	<ul style="list-style-type: none"> • Cottura di maggiori quantità di alimenti; stufati. 	60-150	Aggiungere una piccola quantità d'acqua.
5-6	<ul style="list-style-type: none"> • Frittura leggera: cordon bleu di vitello, cotolette, crocchette, salsicce, roux e uova. 	In base alle esigenze	Girare a metà cottura.
7-8	<ul style="list-style-type: none"> • Patate hash brown e bistecche. 	5-15	Girare a metà cottura.
9	<ul style="list-style-type: none"> • Bollitura di acqua, cottura della pasta, scottatura della carne (gulasch, brasato) e preparazione di patatine fritte. 		

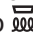
Guida alla cottura

Quali tegami utilizzare

Utilizzare solo tegami e padelle realizzati in materiale ferromagnetico e adatti per l'uso sui piani a induzione.

- Ghisa
- Acciaio smaltato
- Acciaio al carbonio
- Acciaio inossidabile (anche non completamente)

- Alluminio con rivestimento ferromagnetico o piastra ferromagnetica

Per determinare se un tegame o una padella è adatto per l'uso con il piano a induzione, verificare la presenza del simbolo  (solitamente è riportato sulla base). Inoltre, è possibile testare la compatibilità utilizzando un magnete sulla base del tegame. Se viene attirato sul lato inferiore, significa che il tegame è adatto per l'uso sul piano a induzione.

Per la massima efficienza, utilizzare sempre tegami e padelle con base, piatta in modo che il calore si distribuisca uniformemente. Se la base non è uniforme, la potenza e la conduzione del calore ne risentiranno.

Modalità d'uso

Diametro minimo del tegame/della padella per le diverse aree di cottura

Per garantire il corretto funzionamento del piano a induzione, il tegame deve coprire uno o più dei punti di riferimento indicati sulla superficie del piano e deve avere un diametro minimo conforme alle specifiche.

Utilizzare sempre la zona di cottura più adatta in funzione del diametro di base della padella.

Zona di cottura	Diametro raccomandato del tegame da utilizzare [mm]
Zona di cottura centrale e posteriore	120-180

Tegami/padelle vuoti o con fondo sottile

Non utilizzare tegami/padelle vuoti o con fondo sottile sul piano a induzione, poiché altrimenti non sarà in grado di monitorare la temperatura o spegnersi automaticamente se la temperatura è troppo alta e tale condizione danneggerà la padella o la superficie del piano a induzione. In caso di surriscaldamento, non toccare nulla e attendere che tutti i componenti si raffreddino.

Se viene visualizzato un messaggio di errore, fare riferimento al capitolo "Risoluzione dei problemi".

Consigli/Raccomandazioni

Rumore durante la cottura

Quando una zona di cottura è accesa, potrebbe generare un leggero ronzio. Si tratta di una caratteristica tipica di tutte le zone di cottura in vetroceramica e non compromette il funzionamento o la durata di vita dell'apparecchio. Il rumore dipende dal tipo di pentola utilizzata. Se ciò crea un disturbo eccessivo, si raccomanda di cambiare pentola.

Rumori di funzionamento normali del piano cottura a induzione

La tecnologia a induzione si basa sulla creazione di campi elettromagnetici per generare calore direttamente sul fondo delle pentole. I tegami e le padelle possono generare una serie di rumori o vibrazioni a seconda della tecnologia di fabbricazione. Questi rumori sono descritti come segue:

Basso ronzio (come un trasformatore)

Questo rumore si manifesta quando si cucina ad alta temperatura. Dipende dalla quantità di energia trasferita dal piano di cottura alle pentole.

Il rumore cessa o si attenua quando si riduce il livello di calore.

Leggero fischio

Questo rumore si sente quando il recipiente di cottura è vuoto. Cessa quando si introducono liquidi o alimenti nel recipiente.

Scricchiolio

Questo rumore si verifica con pentole realizzate con diversi materiali stratificati l'uno sull'altro.

È causato dalle vibrazioni delle superfici realizzate con materiali diversi a contatto tra loro. Questo rumore si genera nelle pentole e può variare a seconda della quantità di cibo o di liquido e del metodo di cottura (ad esempio, bollitura, cottura a fuoco lento, frittura).

Forte fischio

Questo rumore si sente con pentole realizzate con materiali diversi stratificati l'uno sull'altro e quando si usano alla massima potenza e su due zone di cottura. Il rumore cessa o si attenua quando si riduce il livello di calore.

Questi suoni sono i normali rumori del ventilatore

Per il corretto funzionamento del sistema elettronico, è necessario regolare la temperatura del piano cottura. A tal fine, il piano cottura è dotato di una ventola di raffreddamento, che si attiva per ridurre e regolare la temperatura del sistema elettronico. La ventola può continuare a funzionare anche dopo lo spegnimento dell'apparecchio, se la temperatura rilevata del piano cottura è ancora troppo calda dopo lo spegnimento.

Suoni ritmici, simili al ticchettio di un orologio

Questo rumore si verifica solo quando sono in funzione almeno tre zone cottura e scompare o si attenua quando alcune di esse vengono spente. I rumori descritti sono un fattore normale della tecnologia a induzione e non devono essere considerati come difetti.

Manutenzione e pulizia

⚠ AVVERTENZA! Spegner e l'apparecchio e lasciare che si raffreddi prima di scollegarlo.

⚠ AVVERTENZA! Spegner e l'apparecchio e lasciare che si raffreddi prima di procedere alla pulizia.

⚠ AVVERTENZA! Per motivi di sicurezza è vietata la pulizia dell'apparecchio con idropultrici a vapore o ad alta pressione.


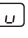
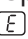
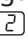
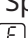



⚠ AVVERTENZA! I prodotti di pulizia abrasivi e gli oggetti affilati danneggiano l'apparecchio. Pulire l'apparecchio e rimuovere i residui con acqua e detergente liquido dopo ogni utilizzo. Rimuovere anche i residui del detergente!

ⓘ I graffi o le macchie scure che non è possibile eliminare dalla superficie in vetroceramica non compromettono il funzionamento dell'apparecchio.

Per eliminare i residui anche quelli più ostinati:

- I residui di zucchero, materiale plastico e alluminio devono essere rimossi immediatamente. Il miglior strumento per pulire è un raschietto per superfici in vetro (non fornito in dotazione con l'apparecchio). Posizionare il raschietto sulla superficie in vetroceramica tenendolo inclinato e rimuovere i residui facendo scorrere la lama sulla superficie. Pulire l'apparecchio con un panno umido e una piccola quantità di detergente liquido. Infine, asciugare l'apparecchio con un panno pulito.
- Per eliminare le macchie d'acqua e di calcare, i residui di grasso e gli aloni sulla finitura metallica usare un detergente specifico per vetroceramica o per acciaio inossidabile dopo che l'apparecchio si è raffreddato.

Risoluzione dei problemi

Problema	Possibile causa	Soluzione
L'apparecchio non funziona.	Carenza di corrente elettrica o corto circuito nella fonte elettrica della vostra abitazione.	
	Collegamento elettrico alla presa non eseguito correttamente.	Per un corretto collegamento controllare l'alimentazione elettrica del piano a induzione.
	Sono trascorsi più di 10 secondi dall'accensione dell'apparecchio.	Accendere nuovamente l'apparecchio.
	Il blocco per bambini è attivo.	Disattivare il blocco per bambini. Consultare il paragrafo "Dispositivo di sicurezza per bambini".
	Sono stati toccati contemporaneamente diversi tasti del sensore.	Toccare solo un tasto del sensore.
L'apparecchio smette di funzionare. Spiegazione dell'errore:  → 	Il tegame non è adatto per l'uso sui piani a induzione.	Sostituire con un tegame adatto per la cottura a induzione.
	Non è presente un tegame nella zona di cottura oppure il diametro del tegame è inferiore a 120 mm.	Posizionare il tegame sulla zona di cottura.
L'apparecchio smette di funzionare. Spiegazione dell'errore:  → 	Il tegame è vuoto (ebollizione a secco) o la temperatura di cottura è troppo alta.	Spegner e l'apparecchio e riavviarlo dopo 5 minuti. Se l'errore E2 persiste, contattare il punto vendita IKEA più vicino.
	Lo sfiato e la presa d'aria sono bloccati.	
	La temperatura circostante è troppo alta.	
L'apparecchio smette di funzionare. Spiegazione dell'errore:  → 	L'alimentazione elettrica è superiore a 275 V in CA.	Sostituire con un prodotto adatto all'alimentazione elettrica.
L'apparecchio smette di funzionare. Spiegazione dell'errore:  → 	L'alimentazione elettrica è inferiore a 100 V in CA.	Sostituire con un prodotto adatto all'alimentazione elettrica.

L'apparecchio smette di funzionare. Spiegazione dell'errore: E + 5	Il sensore di temperatura dell'apparecchio non funziona.	Contattare il negozio IKEA più vicino.
L'apparecchio smette di funzionare. Spiegazione dell'errore: E + 6		
L'apparecchio smette di funzionare. Spiegazione dell'errore: E + 0	Eccezione interna	Spegnere l'apparecchio e riavviarlo dopo 5 minuti. Se l'errore EO persiste, contattare il punto vendita IKEA più vicino.

Il codice errore viene visualizzato quando il piano a induzione è acceso e viene rilevato un errore. "E" e i numeri vengono visualizzati in modo intermittente (a intervalli di 1 secondo) e ciclico.

In caso di errore, provare a risolvere il problema attenendosi alle linee guida di risoluzione dei problemi. Se il problema persiste, contattare il punto vendita IKEA più vicino.

i In caso di utilizzo improprio dell'apparecchio, il rivenditore può sostituire il prodotto dietro richiesta di pagamento anche in caso di garanzia.

Dati tecnici

Modello	14CP12301
Tipo di piano cottura	Piano cottura a induzione autonomo
Numero di zone e/o aree di cottura	1
Potenza nominale	2.000 W
Tensione	220-240 V~
Frequenza	50-60 Hz
Profondità	305 mm
Larghezza	270 mm
Altezza	62 mm
Peso netto	2,33 kg

Numero di serie (codice di 22 cifre che inizia con SN)

Codice prodotto (codice di 8 cifre)

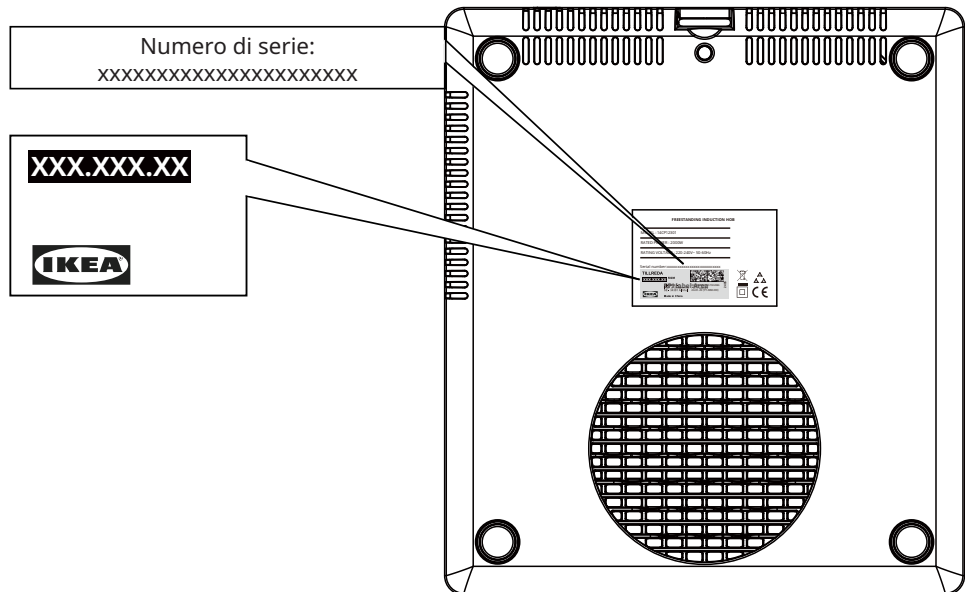



Figura a solo scopo di riferimento

Efficienza energetica

Identificazione del modello	14CP12301
Tipo di piano cottura	Dispositivo portatile
Numero di zone di cottura	1
Tecnologia di riscaldamento	A induzione
Diametro delle zone di cottura circolari (Ø)	170 mm
Consumo energetico della zona cottura (apparecchiatura per la cottura elettrica CE)	184 Wh/kg
Consumo energetico del piano cottura (piano cottura elettrico CE)	184 Wh/kg
Informazioni sul prodotto relative al consumo energetico e al tempo per passare alla modalità a basso consumo	spento: 0,5 W
Tempo massimo necessario per passare alla modalità a basso consumo	5 secondi
Direttiva 2009/125/CE, REGOLAMENTO DELLA COMMISSIONE (UE) N. 66/2014, EN 60350-2:2018+A1:2021.	

Consigli per la tutela dell'ambiente


Smaltimento degli elettrodomestici

Il simbolo  sul prodotto o sulla confezione indica che l'articolo non deve essere considerato come un normale rifiuto domestico. Piuttosto, deve essere portato in un apposito punto di raccolta per il riciclo di apparecchiature elettriche ed elettroniche. Provvedendo a smaltire correttamente questo prodotto, si contribuisce a evitare potenziali conseguenze negative per l'ambiente e la salute che, al contrario, potrebbero derivare da uno smaltimento inappropriato del prodotto. Per maggior informazioni sul riciclo di questo prodotto, contattare le autorità locali, il servizio di gestione dei rifiuti domestici o il punto vendita dove è stato acquistato questo prodotto.

⚠ AVVERTENZA! Smaltire l'apparecchio procedendo nel modo seguente:

- Staccare la spina dalla presa di corrente.
- Scollegare il cavo di rete e smaltirlo adeguatamente.

Smaltimento dei materiali di imballaggio

I materiali contrassegnati dal simbolo  sono riciclabili.

Smaltire i materiali d'imballaggio negli appositi contenitori per il riciclaggio.

Risparmio energetico

- Se possibile, coprire sempre le padelle con il loro coperchio.
- Appoggiare il tegame sulla zona di cottura prima dell'accensione.
- La base dei recipienti deve essere quanto più possibile piatta e spessa.

Garanzia IKEA

Validità della garanzia IKEA

La presente garanzia è valida per 2 anni a partire dalla data originale di acquisto dell'elettrodomestico presso IKEA, salvo disposizioni diverse previste dalla legislazione nazionale. Visitare IKEA.com per sapere quali sono le norme in vigore nel proprio Paese. È necessario esibire lo scontrino originale come documento comprovante l'acquisto. Se durante il periodo di garanzia viene eseguito un intervento di assistenza, ciò non estenderà il periodo di garanzia applicabile all'apparecchio.

Chi fornisce il servizio?

Contattare il punto vendita IKEA più vicino.

Cosa copre la garanzia?

La garanzia copre i difetti dell'apparecchio causati da vizi di fabbricazione o difetti materiali, a partire dalla data di acquisto dell'apparecchio presso IKEA. La garanzia si applica solo in caso di uso domestico dell'apparecchio. Eventuali eccezioni sono specificate nella sezione "Cosa non copre la garanzia?" Durante il periodo di validità della garanzia, saranno coperti i costi di riparazione dei difetti, ad esempio pezzi di ricambio, manodopera e trasferte del personale tecnico, fermo restando che l'accesso all'apparecchio per l'intervento di riparazione non comporti spese particolari. I componenti sostituiti diventano proprietà di IKEA.

Come interverrà IKEA per risolvere il problema?

IKEA esaminerà il prodotto e deciderà, a sua esclusiva discrezione, se è coperto dalla garanzia. Se l'apparecchio è coperto da garanzia, IKEA deciderà a sua sola discrezione di riparare il prodotto difettoso o di sostituirlo con lo stesso articolo o con uno compatibile.

Cosa non copre la garanzia?

- Normale usura.
- Danni provocati deliberatamente, danni provocati dalla mancata osservanza delle istruzioni di funzionamento, da un'installazione non corretta o in seguito a collegamento a un voltaggio errato. Danni provocati da reazioni chimiche o elettrochimiche, ruggine, corrosione o danni causati da acqua, inclusi i danni causati dalla presenza di eccessivo calcare nelle condutture idriche. Danni causati da eventi atmosferici e naturali.
- Le parti soggette ad usura, incluse batterie e lampadine.

- Danni a parti non funzionali e decorative che non influiscono sul normale uso dell'apparecchio, inclusi graffi e differenze di colore.
- Danni accidentali causati da corpi o sostanze estranee e danni causati da pulizia o eliminazione di ostruzioni da filtri, sistemi di scarico o cassette del detersivo.
- Danni ai seguenti componenti: vetroceramica, accessori, cestelli per posate e stoviglie, tubi di alimentazione e di scarico, guarnizioni, lampadine e copri lampadine, griglie, manopole, rivestimenti e parti del rivestimento. A meno che non si possa provare che tali danni siano stati causati da errori di fabbricazione.
- Riparazioni non eseguite dal nostro servizio assistenza autorizzato e/o da un partner contrattuale di assistenza autorizzato o in caso di uso di ricambi non originali.
- Riparazioni necessarie in seguito ad un'installazione non corretta o non conforme alle specifiche.
- Uso improprio e/o non domestico dell'apparecchio, ad esempio, uso professionale.
- Danni derivanti dal trasporto. Qualora sia il cliente a trasportare il prodotto alla propria abitazione o ad altro indirizzo, IKEA non è responsabile per eventuali danni che potrebbero verificarsi durante il trasporto. In compenso, qualora sia IKEA a occuparsi del trasporto del prodotto fino all'indirizzo del cliente, eventuali danni occorsi al prodotto durante la consegna saranno coperti da IKEA.
- Costi inerenti la prima installazione dell'apparecchio IKEA. Tuttavia, se un fornitore di servizi nominato da IKEA o un suo partner di assistenza autorizzato ripara o sostituisce l'apparecchio in base ai termini della presente garanzia, lo stesso fornitore di servizi o il partner di assistenza autorizzato dovrà reinstallare l'apparecchio riparato o un apparecchio sostitutivo, se necessario.

Applicazione delle leggi nazionali

La garanzia IKEA definisce diritti legali specifici, che coprono o sostituiscono i requisiti normativi locali. Tali condizioni non limitano tuttavia in alcun modo i diritti del consumatore definiti dalle leggi locali.

Ambito di validità

Per gli apparecchi acquistati in un paese europeo e trasportate in un altro paese europeo, i servizi di assistenza saranno forniti come previsto dalle normali condizioni di garanzia applicabili nel nuovo paese. L'obbligo di fornire il servizio in base alle condizioni della garanzia si applica solo se l'apparecchio è conforme ed è installato secondo:

- le specifiche tecniche del paese in cui viene presentata la richiesta in garanzia;
- le informazioni sulla sicurezza contenute nelle istruzioni di assemblaggio e nel manuale dell'utente.

Assistenza POST VENDITA per elettrodomestici IKEA

Non esitare a contattare IKEA a:

- presentare una richiesta di assistenza in garanzia;
- richiedere informazioni sul funzionamento degli elettrodomestici IKEA.

Per la migliore assistenza, leggere attentamente le istruzioni di assemblaggio e/o il manuale di istruzioni del prodotto prima di contattarci.

Come contattarci se avete bisogno di assistenza



Il centro assistenza clienti post vendita di IKEA vi assiste telefonicamente in caso di problemi semplici cercandone una pronta risoluzione al momento stesso della vostra richiesta. Consultare il catalogo IKEA o visitare il sito web www.ikea.com per trovare il numero telefonico del punto vendita più vicino e gli orari di apertura.

Per ottenere un'assistenza più veloce, specificare il codice articolo IKEA (8 cifre) riportato sulla targhetta identificativa dell'apparecchio.

CONSERVARE LO SCONTRINO FISCALE!

Serve come prova di acquisto e sarà richiesto per potere usufruire della garanzia. Sullo scontrino sono riportati anche il nome e il codice articolo IKEA (8 cifre) per ogni apparecchio acquistato.

Avete bisogno di ulteriore aiuto?

Per informazioni non relative all'assistenza per il dispositivo, rivolgersi al call center del punto vendita IKEA più vicino. Leggere attentamente la documentazione tecnica relativa al dispositivo prima di contattarci.

Tartalom

Biztonsági tudnivalók.....	163	Ápolás és tisztítás.....	171
Biztonsági előírások	164	Hibaelhárítás	171
Termékleírás	166	Műszaki adatok	172
Jelzőfények	167	Energiahatékonyság.....	173
Napi használat.....	168	Környezetvédelmi megfontolások.....	173
Főzőlap	169	IKEA jóállás	174
Főzőedényekre vonatkozó útmutatás.....	169		

Biztonsági tudnivalók

ⓘ Az Ön biztonsága és a készülék helyes használata érdekében kérjük, hogy az üzembe helyezés és a használat megkezdése előtt olvassa el ezt az útmutatót. A készülék áthelyezésekor vagy eladásakor ezt az útmutatót csatolja a készülékhez. A felhasználónak teljesen tisztában kell lennie a készülék működésével és biztonsági jellemzőivel.

Helyes használat

- Működés közben ne hagyja felügyelet nélkül a készüléket.
- A készülék kizárólag háztartási használatra készült.
- A készülék kizárólag beltérben használható.
- A készüléket ne használja munka- vagy tárolófelületként.
- A készülékben vagy annak közelében ne helyezzen el és ne tároljon gyúlékony folyadékot vagy olvadékony tárgyakat (pl. műanyagfólia, műanyag, alumínium).
- Legyen körültekintő, ha elektromos készülékeket csatlakoztat a közeli hálózati aljzatokra. A csatlakozóvezetékek ne érintkezzenek a készülékkel vagy forró főzőedényekkel, illetve ne szoruljanak alájuk.
- A személyi sérülés vagy a készülék károsodásának elkerülése érdekében ne javítsa a készüléket. Minden esetben értesítse a legközelebbi IKEA áruházat.

Gyerekek és sérülékeny felnőttek biztonsága

- Ezt a készüléket 8 évnél idősebb gyermekek, valamint fizikai, érzékszervi vagy mentális sérüléssel rendelkező

személyek, vagy a megfelelő tapasztalattal és tudással nem rendelkező személyek akkor használhatják, ha egy másik személy felügyeli őket, vagy ha el lettek látva a készülék biztonságos használatára vonatkozó utasításokkal, és megértették a használattal járó veszélyeket.

- Minden csomagolóanyagot tartson gyerekek elől elzárva. Ezek fulladásveszélyt okozhatnak.
- A gyerekeket a készülék működése közben és azon kívül is tartsa távol a készüléktől.
- 8 évesnél fiatalabb gyermek csak folyamatos felügyelet mellett tartózkodhat a készülék közelében.
- Gyermek ne játsszanak a készülékkel. Gyermek nem tisztíthatják és nem tarthatják karban a készüléket felügyelet nélkül.

⚠ FIGYELMEZTETÉS! Kapcsolja be a gyermekbiztonsági zárat, hogy kisgyermek és háziállatok ne tudják a készüléket véletlenül bekapcsolni.

Általános biztonság

- A készülék burkolatában vagy a beépített szerkezetben ne torlaszolja el a szellőzőnyílásokat.
- Ha a maradékhőjelző még világít, akkor a sérülés megelőzése érdekében ne érintse meg a panelt.
- Az áramütés elkerülése érdekében működés közben ne illesszen semmilyen tárgyat az indukciós főzőlapba.
- A fulladásveszély elkerülése érdekében a kábelt ne tekerje a nyaka köré.
- A készülék tisztításához ne használjon gőzölős tisztítógépet.

- A főzőlap felületére ne tegyen fémtárgyat, például kést, villát, kanalat vagy fedőt, mert az felforrósodhat.
- Használat után a szabályozójával kapcsolja ki a főzőfelületet, és ne hagyatkozzon az edényérzékelőre.
- A készüléket ne használja külső időzítővel vagy külön távvezérlő rendszerrel.
- Ne érintse meg a fűtőelemeket.
- Ha a hálózati kábel megsérül, akkor azt a kockázatok elkerülése érdekében a gyártónak, a gyártó hivatalos szakszervizének, vagy egy hasonló képesítésű szakembernek kell kicserélnie. Értesítse a legközelebbi IKEA áruházat.
- Ez a készülék háztartási célra, illetve ahhoz hasonló körülmények között használható, pl.:
 - műhelyek, irodák és egyéb munkahelyek dolgozói számára kialakított konyhában;
 - tanyaépületekben;
- szállodák, motelek vendégei számára vagy lakótér jellegű környezetben;
- panziókban.

⚠ VIGYÁZAT: forró felület, A felületek használat közben felforrósodhatnak.

⚠ FIGYELMEZTETÉS! Ha a felület megrepedt, az áramütés lehetőségének elkerülése érdekében kapcsolja ki a készüléket. Értesítse a legközelebbi IKEA áruházat.

⚠ FIGYELMEZTETÉS! A készülék és annak megérinthető részei használat közben felforrósodnak.

⚠ FIGYELMEZTETÉS! Ha a főzőlapon zsírt vagy olajat hevít felügyelet nélkül, akkor ez veszélyes lehet és tüzet okozhat. A tüzet SOHA ne oltsa vízzel, hanem kapcsolja ki a készüléket, és fedje le a lángot pl. egy fedővel vagy tűzoltótakaróval.

Biztonsági előírások

Üzembe helyezés

- A gyártó nem tehető felelőssé a következő utasítások be nem tartása következtében keletkezett anyagi károkért, személyek vagy háziállatok sérüléséért.

⚠ VIGYÁZAT! Az üzembe helyezés folytatása előtt olvassa el a biztonsági tájékoztatót.

⚠ FIGYELMEZTETÉS! Az üzembe helyezést a használati hely országában érvényes törvényeknek, rendeleteknek, irányelveknek és szabványoknak (elektromos biztonsági előírások és szabályozások, előírásoknak megfelelő újrahasonosítás stb.) kell végezni!

- A készüléket ne használja ajtó közelében vagy ablak alatt, mert az ajtó vagy ablak nyitáskor leboríthatja a forró főzőedényt.
- Ellenőrizze, hogy a készülék szállítás közben nem sérült-e meg. Sérült készüléket ne csatlakoztasson a hálózati feszültségre.
- Ne helyezze üzembe a készüléket, ha szállítás közben megsérült.

- A főzőlapot ne csatlakoztassa hosszabbítón keresztül, a hálózati kábel ne haladjon keresztül a munkaterületen.
- Ne módosítsa a műszaki jellemzőket, és ne módosítsa a készüléket. Személyi sérülés és a készülék károsodásának veszélye.

⚠ FIGYELMEZTETÉS! Gondosan tartsa be az elektromos szerelési előírásokat.

Elektromos csatlakoztatás

- A csatlakoztatás előtt ellenőrizze, hogy a készülék típus tábláján feltüntetett névleges hálózati feszültség megegyezik-e a használati hely hálózati feszültségével. Ellenőrizze továbbá a készülék tápellátási adatait, és győződjön meg arról, hogy otthona elektromos hálózata megfelel a készülék tápellátási igényének (lásd a Műszaki adatok című fejezetet).
- A típus tábla a készülék burkolatának alján található.

⚠ FIGYELMEZTETÉS! Elektromos áram okozta sérülés veszélye.

- A laza vagy nem megfelelő csatlakozóaljzat vagy dugasz a csatlakozó túlmelegedését okozhatja.

A használatba vétel előtt:

Kérjük, a használatba vétel előtt tartsa be a következő utasításokat.

- Kérjük, szabványos hálózati csatlakozóaljzatot használjon, és a károsodások megelőzése érdekében rendszeresen ellenőrizze azt.
- Se Ön, se más illetéktelen személy ne nyissa fel a készüléket. A készüléket kizárólag a hivatalos szerviz technikus, vagy hasonló képzettségű technikus javíthatja.
- Kérjük, ellenőrizze a hálózati kábelt és csatlakozót. Ha a hálózati kábel vagy a csatlakozó sérült, ne használja a készüléket. Nedves kézzel ne húzza ki a hálózati kábel csatlakozóját.
- Ne használjon hosszabbítókábelt, csak a fali hálózati csatlakozót használja.
- Ha a készüléket hosszú időn keresztül nem használja, akkor ezt követően először 10 percre kapcsolja be a készüléket az elektronikus alkatrészek beállása érdekében. Ezután megkezdheti a készülék használatát.
- Ne használja a készüléket víz, tűz vagy nyirkos helyek közelében. A készülék KIZÁRÓLAG beltéri, háztartási felhasználásra készült.
- Az első használat előtt távolítsa el a csomagolóanyagot, a tájékoztató címkéket és a védőfóliát.
- Minden használat után minden főzőzónát kapcsoljon ki a kapcsolójával, és ne hagyatkozzon csupán az edényérzékelőre.
- Égési sérülés veszélye! A főzőfelületre ne tegyen fémtárgyakat, pl. kést, villát, kanalat vagy edényfedeleket, mert ezek felforrósodhatnak.

▲ FIGYELMEZTETÉS! Tűzveszély! A túlhevült zsír és olaj nagyon gyorsan begyulladhat.

▲ FIGYELMEZTETÉS! A szívritmus-szabályozóval élő felhasználók felsőteste és a bekapcsolt főzőlap közötti távolság legalább 30 cm legyen.

▲ FIGYELMEZTETÉS! Nedves kézzel ne kezelje a készüléket, és a kezelőpanel felületét tartsa szárazon. A kezelőgombokat nagyobb mennyiségű víz tönkretelheti.

▲ FIGYELMEZTETÉS! Ha a felület megreped, az áramütés megelőzése érdekében kapcsolja ki a készüléket.

Használat közben és után:

A gyulladás és a balesetek elkerülése érdekében tartsa szem előtt a következőket.

- A készüléket CSAK sík, stabil felületre helyezze.
- Ügyelni kell arra, hogy gyerekek ne játszhassanak a készülékkel.
- A készülék működése közben az alábbiak egyikét se helyezze a panelre.
 - a) Rozsdamentes acél
 - b) Vas
 - c) Öntöttvas
 - d) Alumínium
 - e) Fedő és zománczott fedő
 - f) Kés, villa, kanál
 - g) Vasból, rozsdamentes acélból, öntöttvasból vagy alumíniumból készült tárgy
 - h) Üres főzőedény
- Melegítés közben ne mozgassa a készüléket úgy, hogy főzőedények vannak rajta.
- A melegítés során gondoskodjon a jól szellőző környezetről.
- Ne dugjon vezetékot vagy fémtárgyat a készülék levegőbemeneti és levegőkimeneti nyílásaiba.
- A főzőlap megóvása.
 - a) Ne ejtsen nehéz tárgyat a főzőlapra.
 - b) Ne öntsön vizet, savat, vagy bármilyen folyadékot a főzőlapra.
 - c) A főzőlapon semmit se égessen tűzzel.
 - d) Használaton kívül ne helyezzen forró főzőedényeket a készülék tetejére.
 - e) Ha a felület (panel) repedt, az áramütés megelőzése érdekében azonnal kapcsolja ki a készüléket, és forduljon a legközelebbi IKEA áruházhoz.
 - f) Egyes főzőedények használat közben zajt kelthetnek. Kissé mozdítsa el a

főzőedényt, ekkor a zaj csökkenni fog, vagy megszűnik. Ha nem így van, cserélje ki a főzőedényt.

- Ne helyezze a készüléket szőnyegre, ruhaanyagra vagy papírra, miközben a készülék be van kapcsolva.
- Ne érintse meg a forró főzőlapot. A főzőlap addig forró, amíg a maradékhőjelző világít, akkor is, ha a készülék ki van kapcsolva.
- Ne a hálózati kábelnél fogva húzza ki a hálózati kábelt a hálózati csatlakozóaljzatból.
- Kihúzás előtt kapcsolja ki, majd hagyja lehűlni a készüléket. Húzza ki a hálózati tápkábelt, ha a készüléket hosszú időn keresztül nem fogja használni.
- Használat után tartsa a főzőedényeket a készüléktől távol.

A készülék károsodásának megelőzése

- Az üvegkerámia megsérülhet, ha valami ráesik, vagy hozzáüti a főzőedényt.
- Az öntöttvasból, öntött alumíniumból készült, vagy sérült aljzatú főzőedényt a főzőlapon csúsztatva az üvegkerámia megkarcolódhat.

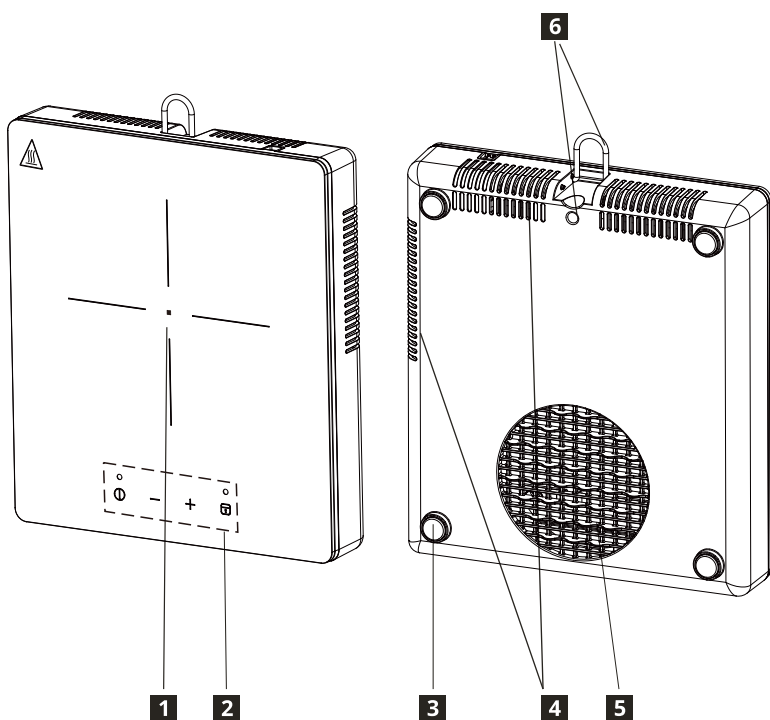
- Az üvegkerámia megsérülhet, ha a padlóra ejtik.
- A főzőedény és az üvegkerámia sérülésének elkerülése érdekében ne hagyja, hogy a főzőedényből vagy serpenyőből minden nedvesség elfőjön.
- A főzőzónákat ne használja üres főzőedénnyel vagy főzőedény nélkül.
- A készülék egyik részét se takarja le alufóliával. A készülékre ne tegyen műanyagot, vagy bármilyen más anyagot, ami megolvadhat.

⚠ FIGYELMEZTETÉS! A használat után a készüléket hagyja a hálózati feszültségre csatlakoztatva, amíg a ventilátor és a hőmérsékletjelző ki nem kapcsolódik.

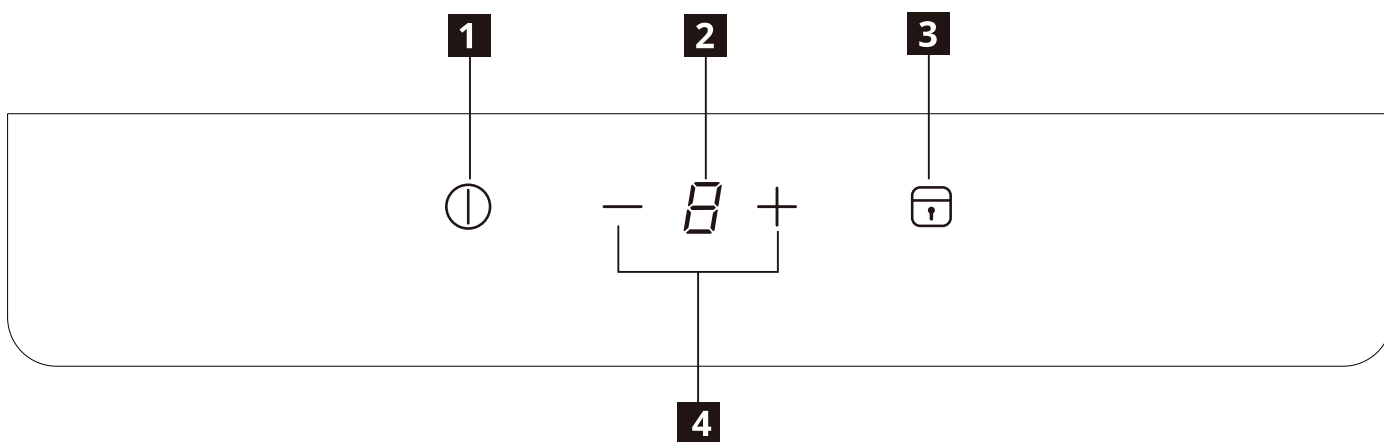
Akril-amidokkal kapcsolatos tájékoztatás

Fontos! Mai tudományos ismereteink szerint az étel – különösen a keményítőt tartalmazó étel – leégése az akril-amidok miatt egészségügyi kockázatot jelent. Ezért azt javasoljuk, hogy a lehető legkisebb hőmérsékleten főzzön, és ne pirítsa le nagyon az ételt.

Termékleírás



- 1** Fűtési terület
Főzőzóna 170 mm, 2000 W
- 2** Kezelőpanel
- 3** Szilikon lábak
- 4** Levegőkimenet
- 5** Levegőbemenet
- 6** Akasztóhorog



A kezelőpanel elrendezése

- 1** Be/Ki **3** Zár/gyerekzár
2 Teljesítményszint-kijelző **4** Teljesítményszint-beállítás - / +

Érintőmezők és kijelzések

A főzőlapot az érintőmezők megérintésével lehet kezelni.
 A funkció kiválasztását a kijelzések és hangjelzés (rövid sípoló hang) jelzik vissza.

Teljesítményszint	1	2	3	4	5	6	7	8	9
Teljesítmény	150 W	250 W	300 W	450 W	600 W	800 W	1100 W	1500 W	2000 W

Jelzőfények

U Az edény nincs megfelelő helyzetben, vagy nincs edény a készülékre helyezve

Ez a jel akkor látható, ha az edény nem alkalmas indukciós főzőlapon történő használatra, nincs megfelelő helyzetben, vagy nem megfelelő méretű a választott főzőzónához. Ha a készülék a kiválasztást követő 30 másodpercen belül nem érzékel edényt, a főzőzóna kikapcsol.

H Maradékhő

Ha a kijelzőn a „H” látható, akkor a főzőzóna még mindig forró. Amint a főzőzóna kihűlt, a jelzés eltűnik.

⚠ FIGYELMEZTETÉS! A maradékhő okozta égési sérülés kockázatát jelzi! A készülék kikapcsolása után kis időre van szükség, amíg a készülék lehűl. Ellenőrizze a maradékhőjelzést **H**.

A maradékhő felolvasztásra vagy étel melegen tartására használható. Addig ne csatlakoztassa le a készüléket a hálózati feszültségről, amíg a **H** el nem tűnik a kijelzőről.

Napi használat

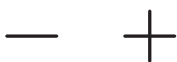


Csatlakoztatás a hálózati feszültségre

1. A hálózati feszültségre csatlakoztatás után bekapcsolódik a gyerekzár. A kikapcsoláshoz nyomja meg és 3 másodpercig tartsa nyomva a gyerekzár-gombot.

Be/Ki

1. A BE/KI gombot megnyomva a kijelzőn a készenléti állapot „0” kijelzése jelenik meg, és a jelzőfény világít. Ha 30 másodpercen belül semmilyen hőmérséklet-beállítás nem történik, a főzőlap a BE/KI gomb megnyomása nélkül automatikusan kikapcsol.
2. Üzem közben a BE/KI gombot megnyomva a készülék kikapcsolódik.



Teljesítményszint-beállítás

1. A — vagy + gombbal működés közben állíthatja a teljesítményszintet.
2. A — -gombot megnyomva a hőmérséklet a „9” fokozatra áll.
A — gombbal a „9”-től az „1” fokozatig lehet csökkenteni a hőmérsékletet.
3. A + gomb megnyomásával az „1” fokozatról lehet a teljesítményt növelni.
A + gombbal az „1”-től a „9”-es fokozatig lehet növelni a hőmérsékletet.



Lezárás funkció

A főzőzóna működése közben le lehet zárni a kezelőpanelt, például a főzőlap tisztítása céljából. Ezzel megakadályozhatja a teljesítményszint-beállítás véletlen módosítását. A főzőlapot a Be/Ki gombbal ekkor is ki lehet kapcsolni.

A lezárás bekapcsolása

1. Állítsa be a kívánt teljesítményszintet.
2. Tartsa nyomva a Lezárás gombot 3 másodpercig. A funkció aktiválásakor világítani kezd a Lezárás gomb jelzőfénye, és hangjelzés hallható.

A lezárás kikapcsolása

1. Tartsa nyomva a Lezárás gombot 3 másodpercig. A funkció kikapcsolásakor a Lezárás gomb jelzőfénye kialszik, és hangjelzés hallható.
2. A teljesítményszint az előző szintre áll vissza.

Gyerekzár funkció

A kezelőpanelt akkor is le lehet zárni, ha a főzőlap nem működik. Ekkor a funkció a főzőlap véletlen bekapcsolását akadályozza meg.

A gyerekzár bekapcsolása

1. A BE/KI gombbal kapcsolja be a készüléket. Semmilyen teljesítményszintet ne állítson be.
2. Tartsa nyomva a Lezárás gombot 3 másodpercig. A funkció aktiválásakor világítani kezd a Lezárás gomb jelzőfénye, és hangjelzés hallható.
3. A BE/KI gombbal kapcsolja ki a készüléket.

A gyerekzár kikapcsolása

1. Tartsa nyomva a Lezárás gombot 3 másodpercig. A funkció kikapcsolásakor a Lezárás gomb jelzőfénye kialszik, és hangjelzés hallható.

Automatikus kikapcsolás

A funkció automatikusan kikapcsolja a főzőlapot, ha:

- minden főzőzóna ki van kapcsolva.
- ÖN a főzőlap bekapcsolásától számított 30 másodpercen belül nem állított be teljesítményszintet.
- ÖN 2 óra elteltével nem kapcsolja ki a főzőzónát, vagy nem módosítja a teljesítményszintet, illetve ha túlmelegedés történt (pl. az edényből kiforrta a folyadék).

Főzőlap

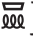
Hőmérséklet-beállítás	Használat:	Idő (perc)	Javaslatok
1	• Főtt étel melegen tartása.	szükség szerint	Tegyen fedőt az edényre.
1-2	• Hollandi mártás, olvasztás: vaj, csokoládé, zselatin.	5-25	Időnként keverje meg.
2-3	• Rizs lassú főzése és tejalapú ételek, készételek felmelegítése.	25-50	A rizshez adjon legalább kétszer annyi vizet, a tejalapú ételeket pedig az elkészítés közepén keverje meg.
4-5	• Zöldségek, halak, húсок és burgonya párolása.	20-45	Adjon hozzá egy kevés vizet.
	• Nagy mennyiségű étel és pörkölt főzése.	60-150	Adjon hozzá egy kevés vizet.
5-6	• Enyhe sütés: borjú cordon bleu, kotlett, fasírt, kolbász, rántás, tojás.	szükség szerint	A sütés felénél fordítsa meg.
7-8	• Tócsni, steak.	5-15	A sütés felénél fordítsa meg.
9	• Vízförralás, tésztafőzés, húspirítás (gulyás, peccsenye), mélyfagyasztott chips.		

Főzőedényekre vonatkozó útmutatás

A főzőlaphoz használható edények

Csak ferromágneses anyagból készült talpú, indukciós főzőlaphoz alkalmas edényt használjon:

- öntöttvas
- zománcozott acél
- szénacél
- rozsdamentes acél (nem minden típus)
- ferromágneses bevonattal vagy ferromágneses lappal ellátott alumínium

Egy edény megfelelőségének eldöntéséhez keresse meg a  jelzést (általában az edény alján). Vagy helyezzen egy mágneset az edény aljához. Ha a mágnes hozzátapad az edényhez, akkor a főzőedény használható indukciós főzőlapon.

Az optimális hatásfok biztosítása érdekében mindig sík aljú, egyenletes hőelosztást biztosító edényeket használjon. Ha az edény alja egyenetlen, az hatással van a teljesítményre és a hőelvezetésre.

Használat

Az egyes főzőzónákon használható edények minimális átmérője

A főzőlap megfelelő működésének biztosítása érdekében az edénynek le kell fednie a főzőlap felületén látható egy vagy több referenciapontot, és az edénynek megfelelő átmérőjűnek kell lennie.

Mindig azt a főzőzónát használja, amelyik leginkább illeszkedik az edény aljának átmérőjéhez.

Főzőzóna	Javasolt edényátmérő [mm]
Hátsó középső főzőzóna	120-180

Üres vagy vékony talpú edények

Ne használjon üres vagy vékony talpú edényeket a főzőlapon, mert a főzőlap ilyen esetben nem tudja a hőmérsékletet figyelni, illetve automatikusan kikapcsolni, ha a hőmérséklet túl magas, ami az edény vagy a főzőlap felületének károsodásához vezet. Ilyen esetben semmihez ne nyúljon, és várja meg, amíg az összes alkatrész lehűl.

Hibaüzenet megjelenése esetén olvassa el a „Hibaelhárítás” című fejezetet.

Tanácsok/tippek

Zaj főzés közben

A főzőzóna bekapcsolt állapotában előfordulhat, hogy az rövid bűgő hangot ad. Ez az üvegkerámia főzőzónák jellemzője, és nem befolyásolja a készülék működését vagy élettartamát. A zaj az alkalmazott főzőedénytől függ. Ha ez zavaró mértékű, cserélje ki a főzőedényt.

Az indukciós felület normál működése zajt kelthet

Az indukciós technológia elektromágneses mezők létrehozásán alapul, amelyek közvetlenül a főzőedények alján hőt termelnek. Az edények gyártásuktól függően különféle zajokat vagy rezgéseket okozhatnak.

Ezek a zajok a következőképpen írhatók le:

Halk zümmögés (mint egy transzformátor)

Ez a zaj magas hőfokon végzett főzéskor keletkezik. Ez a főzőlapról a főzőedényre átadott energia mennyiségén alapul.

A zaj megszűnik vagy elcsendesedik, amikor a hőfok csökken.

Csendes füttyülés

Ez a zaj akkor keletkezik, amikor a főzőedény üres. A zaj megszűnik, amint folyadék vagy élelmiszer kerül az edénybe.

Recsegés

Ez a zaj a különböző anyagokból készült, egymásra rétegzett edényeknél jelentkezik.

A különböző anyagok találkozásánál a felületek rezgései okozzák. A zaj a főzőedényen keletkezik, és az étel vagy folyadék mennyiségétől és a főzési módtól (pl. forralás, párolás, sütés) függően változhat.

Hangos füttyülés

Ez a zaj a különböző anyagokból készült, egymásra rétegzett főzőedényeknél jelentkezik, és akkor, ha azokat ráadásul maximális teljesítményen és két főzőzónán is használják. A zaj megszűnik vagy elcsendesedik, amikor a hőfok csökken.

Ezek a hangok normális ventilátorzajok

Az elektronikus rendszer megfelelő működéséhez szükséges a főzőlap hőmérsékletének szabályozása. Ebből a célból a főzőlap hűtőventilátorral van felszerelve, amely az elektronikus rendszer hőmérsékletének csökkentése és szabályozása érdekében aktiválódik. A ventilátor a készülék kikapcsolása után is tovább működhet, ha a főzőlap érzékelt hőmérséklete a készülék kikapcsolása után még mindig túl forró.

Ritmikus, az óra ketyegéséhez hasonló hangok

Ez a zaj csak akkor jelentkezik, ha legalább három főzőzóna működik, és megszűnik vagy gyengül, ha néhányat kikapcsolnak.

A leírt zajok az indukciós technológia normális jelenségei, és nem tekinthetők hibának.

Ápolás és tisztítás

⚠ FIGYELMEZTETÉS! A hálózati feszültségről való lecsatlakoztatás előtt kapcsolja ki a készüléket, és hagyja lehűlni.

⚠ FIGYELMEZTETÉS! Tisztítás előtt kapcsolja ki a készüléket, és hagyja lehűlni.

⚠ FIGYELMEZTETÉS! Biztonsági okokból a készüléket ne tisztítsa gőzös vagy nagy nyomású tisztítógéppel.








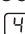
⚠ FIGYELMEZTETÉS! Az éles tárgyak és a súroló hatású tisztítószer károsítják a készüléket. Minden használat után vízzel és mosogatószerrel távolítsa el a maradékokat és tisztítsa meg a készüléket. A tisztítószer-maradványokat is távolítsa el!

ⓘ Az üvegkerámia nem eltávolítható karcolásai vagy sötét elszíneződései nem befolyásolják a készülék működését.

A maradékok és makacs szennyeződések eltávolítása:

- A cukrot, műanyagot, alufóliamaradványt tartalmazó ételmaradékot azonnal el kell távolítani; az üvegfelület tisztítására a legalkalmasabb egy kaparóeszköz (nincs mellékelve a készülékhez). A kaparóeszközt ferde szögben helyezze az üvegkerámia felületre, és a felületen tolvá távolítsa el a szennyeződést. A készüléket nedves ruhával és egy kis folyékony mosogatószerrel törölje le. Végül egy száraz ruhával törölje szárazra a készüléket.
- A vízkő és víz okozta gyűrűs lerakódásokat, zsírfoltokat és fénylő fémes elszíneződéseket a készülék lehűlése után, üvegkerámia vagy rozsdamentes acél tisztítására alkalmas tisztítószerrel kell eltávolítani.

Hibaelhárítás

Probléma	Lehetséges ok	Megoldás
A készülék nem működik.	Nincs áram, vagy zárlat van a hálózatban.	
	A hálózati kábel csatlakoztatása nem megfelelő.	Ellenőrizze a főzőlap helyes hálózatra csatlakoztatását.
	A készülék bekapcsolása óta 10 másodpercnél hosszabb idő telt el.	Kapcsolja be újra a készüléket.
	A gyerekzár be van kapcsolva.	Kapcsolja ki a gyerekzárát. (Lásd: „Gyerekzár“.)
	Egyszerre több gombot érintett meg.	Egyszerre csak egy gombot érintsen meg.
A készülék működése leáll. Hibajelzés:  + 	A főzőedény nem használható indukciós melegítéshez.	Használjon indukciós főzőlaphoz alkalmas főzőedényt.
	A főzőedény hiányzik, vagy a főzőedény átmérője kisebb, mint 120 mm.	Tegyen főzőedényt a főzőzónára.
A készülék működése leáll. Hibajelzés:  + 	A főzőedény üres (a folyadék elfőtt belőle), vagy a főzési hőmérséklet túl nagy.	Kapcsolja ki a készüléket, majd 5 perc múlva kapcsolja be újra. Amennyiben az E2 hiba továbbra is fennáll, forduljon a legközelebbi IKEA áruházhoz.
	A levegőkimenetet vagy levegőbemenetet eltorlaszolja valami.	
	A környezeti hőmérséklet túl nagy.	
A készülék működése leáll. Hibajelzés:  + 	A hálózati feszültség nagyobb, mint 275 V AC.	A készüléket csatlakoztassa a megfelelő hálózati feszültségre.
A készülék működése leáll. Hibajelzés:  + 	A hálózati feszültség kisebb, mint 100 V AC.	A készüléket csatlakoztassa a megfelelő hálózati feszültségre.

A készülék működése leáll. Hibajelzés: E + 5	A készülék hőmérséklet-érzékelője nem működik.	Értesítse a legközelebbi IKEA áruházat.
A készülék működése leáll. Hibajelzés: E + 6		
A készülék működése leáll. Hibajelzés: E + 0	Belső hiba	Kapcsolja ki a készüléket, majd 5 perc múlva kapcsolja be újra. Amennyiben az EO hiba továbbra is fennáll, forduljon a legközelebbi IKEA áruházhoz.

A hibakód akkor jelenik meg, ha a főzőlap bekapcsoláskor hibát érzékel. Az E és a számok (1 másodpercenként) váltakozva jelennek meg.

Hiba esetén próbálja meg az alábbi útmutatások alapján elhárítani a hibát. Ha a hibát nem sikerül elhárítani, forduljon a legközelebbi IKEA áruházhoz.

i Ha a hibát a készülék helytelen kezelése okozta, akkor előfordulhat, hogy a javítás nem ingyenes, még a jótállási időszakon belül sem.

Műszaki adatok

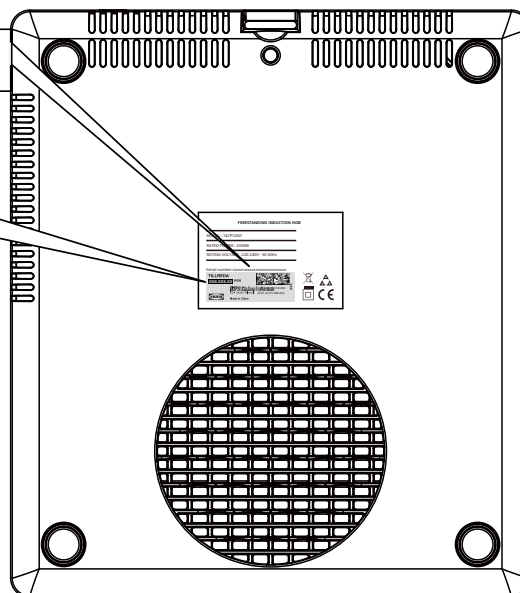
Típus	14CP12301
A főzőlap típusa	Önálló indukciós főzőlap
Főzőzónák és/vagy főzőterületek száma	1
Névleges teljesítmény	2000 W
Névleges feszültség	220-240 V~
Névleges frekvencia	50-60 Hz
Mélység	305 mm
Szélesség	270 mm
Magasság	62 mm
Nettó tömeg	2,33 kg

Sorozatszám (SN, utána 22-számjegyű kód)

Sorozatszám: xxxxxxxxxxxxxxxxxxxxxx

Cikkszám (8-számjegyű kód)

XXX.XXX.XX




A kép csak példa

Energiahatékonyság

Típusazonosítás	14CP12301
A főzőlap típusa	Hordozható készülék
Főzőzónák száma	1
Hevítési technológia	Indukciós
A kör alakú főzőzóna átmérője (Ø)	170 mm
Az egyes főzőzónák energiafogyasztása (EC elektromos főző)	184 Wh/kg
A főzőlap energiafogyasztása (EC elektromos főzőlap)	184 Wh/kg
Termékinformáció az energiafogyasztásról és az alkalmazandó alacsony teljesítményű mód eléréséhez szükséges időről	kikapcsolt üzemmód: 0,5 W
Az alkalmazandó alacsony teljesítményű üzemmód eléréséhez szükséges maximális idő	5 másodperc
2009/125/EK-irányelv, az EURÓPA TANÁCS (EU) 66/2014. számú rendelkezése, EN 60350-2:2018+A1:2021.	

Környezetvédelmi megfontolások

Háztartási készülékek hulladékkezelése

A készüléken található  szimbólum azt jelenti, hogy a készüléket nem szabad a háztartási hulladékban elhelyezni. A készüléket újrahasznosítás céljából az elektromos és elektronikus készülékek megfelelő gyűjtőhelyein kell leadni. A készülék megfelelő hulladékkezelésével segíthet a nem megfelelő hulladékkezelés potenciális, a környezetre és az emberi egészségre káros következményeinek megelőzésében. A készülék hulladékkezelésével kapcsolatos részletesebb információkat a helyi önkormányzattól, a háztartási hulladék-gyűjtő vállalatától vagy attól az üzlettől kaphat, ahol a készüléket vásárolta.

▲ FIGYELMEZTETÉS! Végezze el a következő lépéseket:

- A hálózati dugaszt húzza ki a hálózati aljzatból.
- Vágja le és tegye a hulladékba a hálózati kábelt.

Csomagolóanyagok hulladékkezelése

A  szimbólummal jelölt csomagolóanyagok újrahasznosíthatók.

A csomagolóanyagokat a megfelelő szelektív hulladékgyűjtőben kell elhelyezni.

Energiatakarékosság

- Ha lehetséges, mindig tegyen fedőt a főzőedényekre.
- A főzőedényt a készülék bekapcsolása előtt tegye a főzőlapra.
- A főzőedény aljának a lehető legvastagabbnak és legsimábbnak kell lennie.

IKEA jótállás

Meddig érvényes az IKEA jótállás?

Ez a jótállás a készülék IKEA-ban történő megvásárlásának napjától számított 2 évig érvényes, kivéve, ha az országban érvényes törvények másképp nem rendelkeznek. Az országában érvényes jótállási időt az IKEA.com oldalon találja.

A vásárlás bizonyítékaként az eredeti bizonylat szolgál. A jótállási időszak alatt elvégzett javítás nem hosszabbítja meg a készülék jótállási idejét.

Ki végzi majd a szervizelést?

Értesítse a legközelebbi IKEA áruházat.

Mire vonatkozik ez a jótállás?

A jótállás a készülék hibás konstrukció vagy anyaghiba miatti meghibásodására vonatkozik, és az IKEA-ban történt vásárlás dátumától kezdve érvényes. A jótállás csak háztartási használatra érvényes. A kivételeket a „Mire nem vonatkozik a jótállás?” c. rész tartalmazza. A jótállási időszak alatt a jótállás fedezi a hiba megoldásával (javítás, alkatrész, munka és utazás) kapcsolatos költségeket, feltéve, hogy a készülék speciális költségek nélkül rendelkezésre áll a javításhoz. A kicserélt alkatrészek az IKEA tulajdonába kerülnek.

Mit tesz az IKEA a probléma megszüntetése érdekében?

Az IKEA megvizsgálja a terméket, és saját belátása szerint eldönti, hogy a jótállás vonatkozik-e rá. Ha igen, az IKEA saját döntése szerint vagy megjavítja a hibás készüléket, vagy ugyanolyan, illetve egyenértékű készülékre cseréli ki.

Mire nem vonatkozik a jótállás?

- Normál kopás és elhasználódás.
- Szándékosságból vagy hanyagságból eredő károsodás, a használati útmutató be nem tartása, a helytelen üzembe helyezés vagy a nem megfelelő feszültségre kapcsolás miatti károsodás, a kémiai vagy elektrokémiai reakció miatti károsodás, a rozsda, korrózió vagy víz miatti károsodás, beleértve - korlátozás nélkül - a vezetékes víz túlzott kalciumtartalma miatti károsodást is, valamint a normálistól eltérő környezeti viszonyok miatti károsodás.
- Az elhasználódó alkatrészek, így az elemek és izzók.

- A készülék normál használatát nem befolyásoló funkció nélküli és díszítő elemek, beleértve a karcolásokat és az esetleges színeltéréseket is.
- Az idegen tárgyak vagy anyagok miatti, valamint a szűrők, lefolyórendszerek vagy szappanadagolók tisztítása vagy eltömődésének megszüntetése miatti véletlen károsodás.
- Az alábbi alkatrészek károsodása: kerámiaüveg, tartozékok, cserépedény- és evőeszközkosarak, bevezető és elvezető csövek, tömítések, izzók és izzóburkolatok, védőrácsok, gombok, készülékházak és készülékházrészek. Hacsak ezekről a károsodásokról nem bizonyítható be, hogy gyártási hibák okozták őket.
- Azon javítások, amelyeket nem a mi szolgáltatónk és/vagy valamilyen hivatalos szerződéses szervizpartner végzett, vagy amelyek során nem eredeti alkatrészeket használtak.
- Azon javítások, amelyek a hibás vagy nem a specifikáció szerint végzett üzembe helyezés miatt szükségesek.
- A készülék nem háztartási célú használata, tehát például professzionális használat esetén.
- Szállítási sérülések. Ha a vevő maga szállítja a terméket otthonába vagy más címre, az IKEA nem felelős semmilyen kárért, ami esetleg a szállítás alatt bekövetkezik. Ha azonban az IKEA kézbesíti a terméket a vevő kézbesítési címére, akkor a terméknek ezen kézbesítés során bekövetkezett sérülését az IKEA fogja fedezni.
- Az IKEA-készülék első telepítésének költsége. Azonban, ha az IKEA által kijelölt szervizszolgáltató vagy annak hivatalos partnere a jótállás keretében javítja vagy kicseréli a terméket, a kijelölt szervizszolgáltató vagy annak hivatalos partnere szükség esetén üzembe helyezi a megjavított, vagy cserekészüléket.

Az adott ország törvényeinek hatálya

Az IKEA jótállása meghatározott jogokat ad Önnek, amelyek megegyeznek a helyi jogi követelményekkel, vagy meg is haladják azokat. Ezek a feltételek azonban semmilyen módon nem korlátozhatják a helyi törvényi előírásokban leírt vásárlói jogokat.

Területi érvényesség

Ha a készüléket egy EU-országban vásárolták, majd egy másik EU-országba vitték át, a szolgáltatások nyújtása a másik ország normál jótállási feltételeinek keretei között történik. A jótállás keretében nyújtott szolgáltatási kötelezettség csak akkor áll fenn, ha a készülék és a telepítés megfelel a következőknek:

- az ország műszaki specifikációinak, ahol a jótállási igényt bejelentik;
- az Összeszerelési utasításnak és a Felhasználói kézikönyv Biztonsági információinak.

ÉRTÉKESÍTÉS UTÁNI szolgáltatás IKEA-készülékekhez

Kérjük, értesítse az IKEA-t a következő esetekben:

- Ha jótállási igényt kíván benyújtani.
- Ha az IKEA készülékek funkcióinak tisztázására irányuló kérdése van.

Annak érdekében, hogy a leghatékonyabban tudjunk Önnek segíteni, kérjük, tanulmányozza át a az Összeszerelési utasítást és/vagy a Felhasználói kézikönyvet, mielőtt minket hív.

Elérhetőségeink, ha szervizre van szüksége



Az IKEA értékesítés utáni szervizközpontja telefonhívás esetén telefonos segítséget nyújt a készülék alapvető hibaelhárítási műveleteiben. A helyi áruház telefonszáma és nyitvatartási ideje az IKEA katalógusában vagy a www.ikea.com weboldalon található.

A szolgáltatás gyorsítása érdekében kérjük, hogy mindig adja meg a készülék IKEA-termékkódját (8-jegyű szám), ami a készülék típus tábláján található.

ŐRIZZE MEG A VÁSÁRLÁSI BIZONYLATOT!

Ez igazolja a vásárlást, és szükséges a jótállás igényléséhez. Minden egyes megvásárolt készülék vásárlási bizonylata tartalmazza a készülék IKEA nevét és cikkszámát (8 jegyű kód).

Ezen túlmenő segítségre van szüksége?

Ha bármilyen további, a készülék értékesítés utáni szervizelésével nem kapcsolatos kérdése van, kérjük, vegye fel a kapcsolatot a legközelebbi IKEA áruház telefonos ügyfélszolgálatával. Javasoljuk, hogy a hívás előtt alaposan olvassa el a készülék dokumentációját.

Spis treści

Informacje dotyczące bezpieczeństwa.....	176	Konserwacja i czyszczenie	184
Wskazówki dotyczące bezpieczeństwa.....	177	Rozwiązywanie problemów	184
Opis urządzenia	180	Dane techniczne.....	185
Wskaźniki	181	Wydajność energetyczna	186
Codzienna użytkowanie	181	Ochrona środowiska.....	186
Stolik do gotowania	182	Gwarancja IKEA	187
Wskazówki dotyczące naczyń	182		

Informacje dotyczące bezpieczeństwa

- ⓘ Aby zapewnić bezpieczeństwo użytkownika i poprawną obsługę urządzenia, należy uważnie przeczytać niniejszą instrukcję obsługi przed instalacją i użytkowaniem sprzętu. Instrukcję należy przechowywać w pobliżu urządzenia oraz dołączyć ją do urządzenia w przypadku sprzedaży. Użytkownik jest zobowiązany zapoznać się z obsługą i zasadami bezpiecznego korzystania z niniejszego urządzenia.

Poprawne użytkowanie

- Nie pozostawiaj działającego urządzenia bez nadzoru.
- Niniejszy produkt przeznaczony jest wyłącznie do użytku w gospodarstwie domowym.
- Niniejszy produkt przeznaczony jest wyłącznie do użytku wewnątrz pomieszczeń.
- Niniejsze urządzenie nie może być wykorzystywane jako powierzchnia robocza bądź powierzchnia do przechowywania przedmiotów.
- Nigdy nie przechowuj na urządzeniu lub w jego pobliżu palnych płynów, materiałów łatwopalnych lub przedmiotów topliwych (np. plastikowych folii, plastiku, aluminium).
- Zachowaj ostrożność podłączając urządzenia elektryczne do gniazdek elektrycznych znajdujących się w pobliżu niniejszego urządzenia. Zadbaj o to, aby przewody elektryczne nie dotykały ani nie przebiegały pod urządzeniem lub gorącym naczyniem.
- Nie przeprowadzaj samodzielnych napraw – pozwoli to zapobiec obrażeniom ciała

i uszkodzeniu sprzętu. Skontaktuj się z najbliższym sklepem IKEA.

Bezpieczeństwo dzieci i osób narażonych na zagrożenia

- Z urządzenia mogą korzystać dzieci od lat 8 oraz osoby o ograniczonych zdolnościach fizycznych, postrzegania i umysłowych lub nieposiadające doświadczenia i wiedzy, jeśli pozostają pod nadzorem lub zostały poinstruowane odnośnie do korzystania z urządzenia w bezpieczny sposób i rozumieją związane z tym zagrożenia.
- Wszelkie materiały opakowaniowe przechowuj w miejscu niedostępnym dla dzieci. Ryzyko uduszenia.
- Zadbaj, aby dzieci nie znajdowały się w pobliżu działającego urządzenia.
- Dzieci poniżej 8 roku życia nie powinny zbliżać się do urządzenia, chyba że znajdują się pod ciągłym nadzorem.
- Dzieci nie powinny bawić się urządzeniem. Dzieci nie powinny bez nadzoru czyścić urządzenia i wykonywać konserwacji, do której jest zobowiązany użytkownik.

⚠ **OSTRZEŻENIE!** Aktywuj zabezpieczenie chroniące dzieci, aby uniknąć przypadkowego włączenia urządzenia przez dziecko lub zwierzę domowe.

Ogólne zalecenia dotyczące bezpieczeństwa

- Nie zasłaniaj otworów wentylacyjnych znajdujących się w obudowie urządzenia lub zabudowie.
- Aby uniknąć obrażeń ciała, nie dotykaj płyty, póki wyświetlany jest wskaźnik ciepła resztkowego.

- Aby uniknąć porażenia prądem, nie umieszczaj żadnych przedmiotów w płycie indukcyjnej podczas jej pracy.
 - Aby zapobiec uduszeniu, nie okręcaj przewodu zasilającego wokół szyi.
 - Nie czyść urządzenia za pomocą generatora pary.
 - Nie umieszczaj na płycie przedmiotów wykonanych z metalu, takich jak noże, widelce, łyżki i pokrywki, gdyż może dojść do ich silnego rozgrzania.
 - Po zakończeniu gotowania wyłącz płytę za pomocą przycisków sterujących. Układ wykrywania naczyń nie służy do bezpiecznego wyłączania urządzenia.
 - Niniejszego urządzenia nie należy obsługiwać za pomocą zewnętrznego licznika czasu lub oddzielnego systemu zdalnego sterowania.
 - Należy zachować ostrożność, aby uniknąć dotknięcia elementów grzejnych.
 - Uszkodzony przewód zasilający powinien zostać wymieniony przez producenta, autoryzowany serwis techniczny lub wykwalifikowanego technika. W ten sposób unikniesz potencjalnych zagrożeń. Skontaktuj się z najbliższym sklepem IKEA.
 - To urządzenie jest przeznaczone do użytku w gospodarstwach domowych i podobnych następujących lokalizacjach:
 - w pracowniczych pomieszczeniach kuchennych w sklepach, biurach i innych miejscach pracy;
 - w pomieszczeniach socjalnych w gospodarstwach rolnych;
 - jako wyposażenie przeznaczone dla klientów hoteli, moteli i innych obiektów mieszkalnych;
 - w pensjonatach.
- ⚠ OSTROŻNIE:** gorąca powierzchnia. Podczas użytkowania powierzchnia może się mocno nagrzać.
- ⚠ OSTRZEŻENIE!** W razie pęknięcia powierzchni wyłącz urządzenie, aby zapobiec potencjalnemu porażeniu prądem. Skontaktuj się z najbliższym sklepem IKEA.
- ⚠ OSTRZEŻENIE!** Urządzenie i jego odkryte elementy rozgrzewają się podczas pracy.
- ⚠ OSTRZEŻENIE!** Pozostawienie na włączonej płycie naczynia z tłuszczem lub olejem bez nadzoru może być niebezpieczne. Ryzyko wywołania pożaru. NIGDY nie próbuj ugasić płonącej potrawy za pomocą wody – niezwłocznie wyłącz urządzenie i nakryj płomień, np.: pokrywką lub kocem gaśniczym.

Wskazówki dotyczące bezpieczeństwa

Instalacja

- Producent nie odpowiada za obrażenia ciała osób i zwierząt lub uszkodzenie mienia spowodowane nieprzestrzeganiem poniższych wymagań.
- ⚠ **OSTROŻNIE!** Aby przeprowadzić instalację, zapoznaj się z informacjami na temat bezpieczeństwa.
- ⚠ **OSTRZEŻENIE!** Proces instalacji musi być zgodny z przepisami, zarządzeniami, dyrektywami i standardami (przepisy bezpieczeństwa elektrycznego, utylizacja zgodna z przepisami itp.) obowiązującymi w kraju użytkowania produktu!
- Nie instalować urządzenia przy drzwiach ani pod oknem. Zapobiegnie to możliwości strącenia gorącego naczynia z urządzenia podczas otwierania okna lub drzwi.
- Upewnij się, że urządzenie nie zostało uszkodzone podczas transportu. Nie instaluj uszkodzonego urządzenia.
- Nie instaluj urządzenia uszkodzonego podczas transportu.
- Nie podłączaj płyty przez przedłużacze i nie umieszczaj przewodu zasilającego na powierzchniach roboczych.
- Nie zmieniaj specyfikacji urządzenia ani nie modyfikuj go. Ryzyko obrażeń i uszkodzenia sprzętu.

⚠ OSTRZEŻENIE! Zastosuj się do wszelkich zaleceń dotyczących podłączenia zasilania.

Podłączenie zasilania

- Przed podłączeniem zasilania upewnij się, że napięcie znamionowe urządzenia podane na tabliczce znamionowej jest zgodne z zasilaniem z sieci elektrycznej. Sprawdź również moc urządzenia i upewnij się, że instalacja domowa posiada parametry zgodne z mocą urządzenia (zajrzyj do rozdziału Informacje techniczne).
- Tabliczka znamionowa została umieszczona w dolnej części obudowy płyty.

⚠ OSTRZEŻENIE! Ryzyko obrażeń wywołanych prądem elektrycznym.

- Luźne lub niewłaściwe gniazdo zasilające bądź wtyczka może być przyczyną przegrzania styków.

Przed przystąpieniem do użytkowania:

Zanim zaczniesz korzystać z urządzenia zwróć uwagę na poniższe wskazówki.

- Aby zapobiec uszkodzeniom, użyj standardowego gniazdka zasilającego i regularnie sprawdzaj jego stan.
- Nie otwieraj obudowy urządzenia ani nie pozwól, by otwierały ją niewykwalifikowane osoby. Urządzenie może być naprawiane wyłącznie przez autoryzowany serwis lub wykwalifikowanego serwisanta.
- Sprawdź stan wtyczki i przewodu zasilającego. Jeżeli wtyczka lub przewód zasilający są uszkodzone, nie używaj urządzenia. Nie wyciągaj wtyczki mokrymi dłońmi.
- Nie stosuj przedłużaczy i korzystaj wyłącznie ze ściennego gniazdka sieciowego.
- Jeżeli urządzenie nie było używane przez dłuższy czas, przed rozpoczęciem użytkowania włącz urządzenie na 10 minut, aby ustabilizować komponent elektroniczny. Po tej operacji możesz korzystać z urządzenia.

- Nie korzystaj z urządzenia w pobliżu wody, ognia lub w środowisku o dużej wilgotności. **WYŁĄCZNIĘ** do użytku wewnątrz pomieszczeń, w gospodarstwie domowym.
- Przed pierwszym użyciem urządzenia usuń opakowanie oraz naklejki i folię.
- Każdorazowo wyłączaj pola grzejne za pomocą przycisków sterujących. Układ wykrywania naczyń nie służy do bezpiecznego wyłączania pola grzejnego.
- Ryzyko oparzeń! Nie umieszczaj na polach grzejnych przedmiotów metalowych, takich jak noże, widelce, łyżki czy pokrywki, gdyż mogą się silnie rozgrzać.

⚠ OSTRZEŻENIE! Ryzyko pożaru! Przegrzany tłuszcz lub olej bardzo szybko ulega zapłonowi.

⚠ OSTRZEŻENIE! Użytkownik posiadający rozrusznik serca powinien stawać tak, aby jego klatka piersiowa znajdowała się nie bliżej niż 30 cm od włączonych pól grzejnych.

⚠ OSTRZEŻENIE! Nie obsługuj urządzenia mokrymi dłońmi i zadbaj o to, by panel sterujący był suchy. Duża ilość wody na panelu sterującym uniemożliwi korzystanie z przycisków.

⚠ OSTRZEŻENIE! W razie pęknięcia powierzchni wyłącz urządzenie, aby zapobiec porażeniu prądem.

W trakcie i po eksploatacji:

Aby zapobiec pożarowi i wypadkom, należy przestrzegać poniższych wskazówek.

- Ustaw urządzenie na płaskim, stabilnym podłożu.
- Zadbaj o to, by dzieci nie bawiły się niniejszym urządzeniem.
- Podczas pracy urządzenia nie umieszczaj na nim następujących typów przedmiotów lub materiałów.
 - a) Stal nierdzewna
 - b) Żelazo
 - c) Żeliwo
 - d) Aluminium
 - e) Ołów i emalia
 - f) Nóż, widelec lub łyżka

- g) Naczynia wykonane z żelaza, stali nierdzewnej, żeliwa lub aluminium
- h) Puste naczynie
- Nie przenoś ani nie przesuwaj działającego urządzenia, na którym stoją naczynia.
- Podczas nagrzewania zapewnij odpowiednią wentylację urządzenia.
- Nie umieszczaj przewodów lub metalowych przedmiotów w otworach wlotu i wylotu powietrza.
- Jak dbać o płytę.
 - a) Nie upuszczaj ciężkich przedmiotów na płytę.
 - b) Nie wylewaj na płytę wody, kwasów ani innych cieczy.
 - c) Nie pal niczego na płycie.
 - d) Nie umieszczaj gorących garnków na wyłączonym urządzeniu.
 - e) W razie pęknięcia powierzchni (płyty), natychmiast wyłącz urządzenie, aby zapobiec porażeniu prądem i zwróć je do najbliższego sklepu IKEA.
 - f) Niektóre typy garnków mogą hałasować podczas gotowania. Spróbuj nieznacznie przesunąć garnek – hałas może ustać lub zmniejszyć się. Jeżeli tak się nie stanie, użyj innego garnka.
- Nie umieszczaj działającego urządzenia na dywanie, tkaninie lub materiale papierowym.
- Nie dotykaj gorącej płyty. Płyta jest gorąca dopóki wyświetlany jest wskaźnik ciepła resztkowego – nawet po wyłączeniu zasilania.
- Odłączając zasilanie urządzenia, nie ciągnij za przewód.
- Zanim odłączysz przewód zasilający poczekaj na ostygnięcie urządzenia. Jeżeli urządzenie nie będzie używane przez dłuższy czas, odłącz przewód zasilający.
- Po zakończeniu gotowania zdejmij naczynie z płyty.

Jak zapobiec uszkodzeniu urządzenia

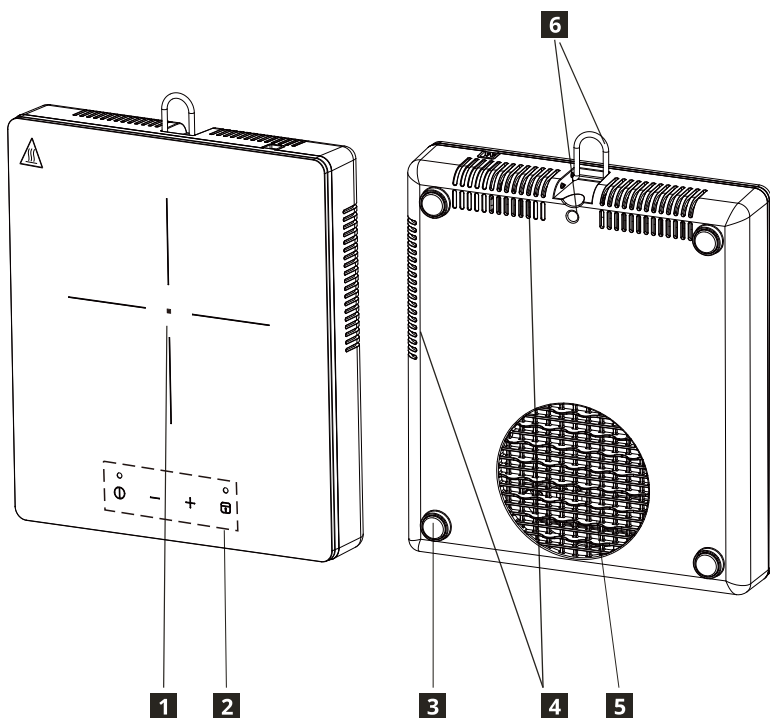
- Płyta szklano-ceramiczna może ulec uszkodzeniu, gdy upadnie na nią przedmiot spadający z wysokości lub potracony garnkiem.
- Przesuwając garnki wykonane z żeliwa, aluminium lub garnki z uszkodzonym dnem, możesz zarysować powierzchnię płyty.
- Płyta ulegnie uszkodzeniu, jeśli zostanie upuszczona na podłogę.
- Aby uniknąć uszkodzenia garnków i płyty, nie dopuszczaj do wygotowania się potrawy.
- Nie stawiaj pustego naczynia na działającym polu grzejmym, ani nie włączaj pola jeśli nie stoi na nim naczynie.
- Nigdy nie zakrywaj urządzenia folią aluminiową. Nie umieszczaj przedmiotów plastikowych lub topliwych w urządzeniu lub na nim.

⚠ OSTRZEŻENIE! Nie odłączaj zasilania urządzenia dopóki działa wentylator i świeci wskaźnik rozgrzania.

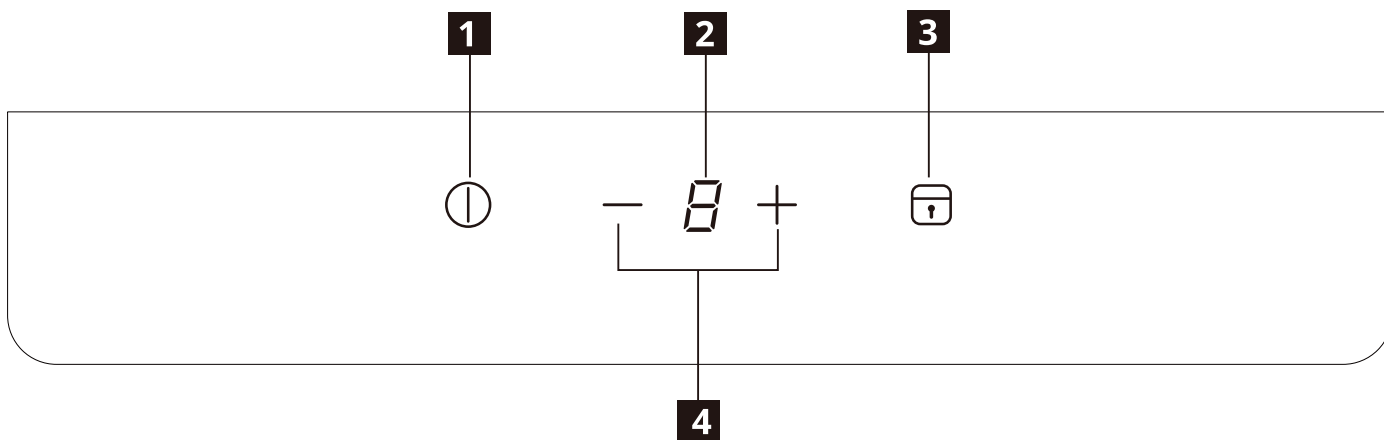
Informacja dotycząca akrylamidu

Ważne! Najnowsze badania naukowe wykazują, że obróbka termiczna żywności powodująca jej silne brązowienie stanowi zagrożenie dla zdrowia, wywołane obecnością akrylamidu – dotyczy to w szczególności produktów zawierających skrobię. Dlatego zalecamy gotowanie w jak najniższej temperaturze i unikanie nadmiernego przypiekania pożywienia.

Opis urządzenia



- 1** Obszar grzewczy
Strefa gotowania 170 mm,
2000 W
- 2** Panel sterowania
- 3** Silikonowe nóżki
- 4** Wylot powietrza
- 5** Wlot powietrza
- 6** Wieszak



Układ panelu sterowania

- 1** Włączanie/wyłączanie
- 2** Wyświetlacz poziomu mocy
- 3** Blokada/blokada chroniąca dzieci
- 4** Ustawianie poziomu mocy - / +

Pola dotykowe i wyświetlacz panelu sterowania

Do sterowania płytą służą pola dotykowe.

Wybór funkcji potwierdzany jest za pomocą wyświetlacza i krótkich sygnałów akustycznych.

Poziom mocy	1	2	3	4	5	6	7	8	9
Moc	150 W	250 W	300 W	450 W	600 W	800 W	1100 W	1500 W	2000 W

Wskaźniki

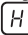
Brak lub niepoprawne umieszczenie garnka

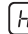
Symbol ten pojawia się, gdy naczynie nie nadaje się do gotowania indukcyjnego, nie jest prawidłowo umieszczony lub nie ma odpowiedniego rozmiaru dla wybranej strefy grzejnej. Jeżeli w ciągu 30 sekund od dokonania wyboru naczynie nie zostanie wykryte, strefa grzejna wyłączy się.

Ciepło resztkowe

Jeżeli na wyświetlaczu widoczny jest symbol „H”, oznacza to, że strefa grzejna jest nadal gorąca. Wskazanie zniknie, gdy pole grzejne

ostygnie.

⚠ OSTRZEŻENIE! Ryzyko oparzenia! Po wyłączeniu urządzenia pola grzejne będą ciepłe jeszcze przez jakiś czas. Sprawdź, czy wyświetlany jest wskaźnik ciepła resztkowego .

Wykorzystaj ciepło resztkowe do roztapiania produktów żywnościowych lub podtrzymywania temperatury potraw. Nie odłączaj urządzenia od zasilania dopóki wyświetlany jest wskaźnik ciepła resztkowego .

Codzienna użytkowanie



Podłączanie do gniazdka sieciowego

- Po podłączeniu urządzenia do gniazda zasilającego aktywowane zostanie zabezpieczenie chroniące dzieci. Aby wyłączyć zabezpieczenie przytrzymaj przez 3 sekundy przycisk Zabezpieczenia.

Włączanie/Wyłączanie

- Naciśnij przycisk WŁĄCZANIA/WYŁĄCZANIA; na panelu pojawi się wskazanie „0”, wyświetlane w trybie czuwania i włączy się wskaźnik zasilania. Jeżeli w ciągu 30 sekund nie wybierzesz ustawienia temperatury, płyta wyłączy się samoczynnie bez konieczności naciśnięcia przycisku WŁĄCZANIA/WYŁĄCZANIA.
- Aby wyłączyć działającą płytę, naciśnij przycisk WŁĄCZANIA/WYŁĄCZANIA.



Ustawianie poziomu mocy

- Naciśnij — lub +, aby zmienić poziom mocy podczas pracy.
- Naciśnij —, wybrany zostanie „9” poziom mocy. Naciśnij —, aby zmniejszać poziom mocy od „9” do „1”.
- Naciśnij +, aby zwiększać poziom mocy od „1”.
- Naciśnij +, aby zwiększać poziom mocy od „1” do „9”.



Funkcja blokady

Gdy strefa grzejna jest włączona, możesz zablokować panel sterowania, na przykład, aby wyczyścić płytę. Zapobiega to przypadkowej zmianie ustawienia mocy. Wyłączenie płyty za pomocą przycisku Włączania/Wyłączania będzie nadal możliwe.

Włączanie blokady

- Ustaw żądany poziom mocy.
- Przytrzymaj przycisk blokady przez 3 sekundy. Włączenie funkcji jest sygnalizowane podświetleniem przycisku blokady i dźwiękiem.

Wyłączanie blokady

- Przytrzymaj przycisk blokady przez 3 sekundy. Wyłączenie funkcji jest sygnalizowane wyłączeniem podświetlenia przycisku blokady i dźwiękiem.
- Zostanie przywrócone poprzednie ustawienie mocy.

Funkcja blokady chroniącej dzieci

Panel sterowania można również zablokować, gdy płyta nie jest używana. Dzięki temu zapobiegiesz przypadkowemu włączeniu funkcji grzania.

Włączanie blokady chroniącej dzieci

- Włącz urządzenie przyciskiem WŁĄCZANIA/WYŁĄCZANIA. Nie ustawiaj poziomu mocy.
- Przytrzymaj przycisk blokady przez 3 sekundy. Włączenie funkcji jest sygnalizowane podświetleniem przycisku blokady i dźwiękiem.
- Wyłącz urządzenie przyciskiem WŁĄCZANIA/WYŁĄCZANIA.

Wyłączanie blokady chroniącej dzieci

1. Przytrzymaj przycisk blokady przez 3 sekundy. Wyłączenie funkcji jest sygnalizowane wyłączeniem podświetlenia przycisku blokady i dźwiękiem.

Automatyczne wyłączenie**Funkcja spowoduje automatyczne wyłączenie płyty, jeżeli:**

- wyłączone są wszystkie pola grzejne,
- nie wybierzesz ustawienia poziomu mocy w ciągu 30 sekund od włączenia płyty,
- nie wyłączysz pola grzejnego lub nie zmienisz ustawienia mocy przez 2 godziny, lub gdy wystąpi przegrzanie (np. gdy potrawa wygotuje się całkowicie).

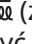
Stolik do gotowania

Ustawianie mocy	Zastosowanie:	Czas (min)	Wskazówki
1	• Utrzymywanie temperatury gotowych potraw.	według potrzeb	Przykryj naczynie pokrywką.
1-2	• Sos holenderski, rozpuszczanie: masła, czekolady, żelatyny.	5-25	Mieszaj od czasu do czasu.
2-3	• Powolne gotowanie potraw na bazie mleka i ryżu, odgrzewanie gotowych potraw.	25-50	Dodaj przynajmniej dwa razy więcej płynu niż ryżu i przemieszaj potrawy mleczne w połowie procesu.
4-5	• Gotowanie na parze warzyw, ryb, mięsa, ziemniaków.	20-45	Dodaj niewielką ilość wody.
	• Gotowanie większych ilości żywności i potrawek.	60-150	Dodaj niewielką ilość wody.
5-6	• Delikatne smażenie: cielęcy cordon bleu, kotlety, kotlety mielone, kiełbaski, zasmażka, jaja.	według potrzeb	Przewrócić na drugą stronę w połowie czasu.
7-8	• Hash browns, steki.	5-15	Przewrócić na drugą stronę w połowie czasu.
9	• Gotowanie wody, gotowanie makaronu, obsmażanie mięsa (gulasz, duszona wołowina), smażenie frytek.		

Wskazówki dotyczące naczyń**Jakich naczyń używać**

Używaj wyłącznie garnków i patelni, których dno wykonane jest z materiałów ferromagnetycznych, przeznaczonych do użytku na płytach indukcyjnych.

- Żeliwo
- Stal emaliowana
- Stal węglowa
- Stal nierdzewna (nie każda)
- Aluminium z powłoką lub wkładką ferromagnetyczną

Aby stwierdzić, czy dane naczynie lub patelnia jest odpowiednie, poszukaj na nim symbolu  (zazwyczaj nanoszony na dno). Możesz również zbliżyć do dna magnes. Jeżeli magnes przywrze do dna, dane naczynie sprawdzi się na płycie indukcyjnej.

Aby zapewnić optymalną wydajność, zawsze używaj garnków i patelni z płaskim dnem, które zapewnia równomierną dystrybucję ciepła. Nierównie dno pogarsza przewodnictwo cieplne.

Użytkowanie

Minimalna średnica garnka/patelni dla poszczególnych stref grzejnych

Aby zapewnić prawidłowe funkcjonowanie płyty, garnek musi zasłaniać jeden lub więcej punktów odniesienia naniesionych na powierzchnię płyty i musi mieć odpowiednią średnicę.

Zawsze używaj strefy grzejnej o rozmiarze najbardziej zbliżonym do średnicy dna naczynia.

Pole grzejne	Zalecana średnica naczynia [mm]
Środkowe tylne pole grzejne	120–180

Garnki/patelnie puste lub z cienkim dnem

Nie ustawiaj na płycie pustych naczyń lub naczyń o cienkim dnie, ponieważ urządzenie nie będzie w stanie monitorować temperatury lub wyłączyć pola automatycznie, gdy temperatura będzie zbyt wysoka, co może skutkować uszkodzeniem naczynia lub powierzchni płyty. Jeśli dojdzie do takiej sytuacji, nie dotykaj niczego i poczekaj aż wszystko ostygnie.

Jeśli pojawi się komunikat błędu, zajrzyj do sekcji „Rozwiązywanie problemów”.

Wskazówki/rady

Hałas podczas gotowania

Po włączeniu pola grzejnego może być słyszalne krótkotrwałe buczenie. Jest to zjawisko charakterystyczne dla szklano-ceramicznych pól grzejnych. Nie ma ono wpływu na funkcjonalność lub żywotność produktu. Hałas zależy od rodzaju używanego naczynia. Jeżeli hałas jest znaczny, można spróbować użyć innego naczynia.

Zwykłe dźwięki towarzyszące pracy kuchni indukcyjnej

Technologia indukcyjna opiera się na wytwarzaniu pól elektromagnetycznych w celu generowania ciepła bezpośrednio na dno naczynia. Garnki i patelnie mogą generować różne dźwięki lub wibracje w zależności od metody ich produkcji.

Dźwięki te są opisane poniżej:

Niski szum (podobny do pracy transformatora)

Dźwięk ten występuje podczas obróbki termicznej z wykorzystaniem wysokiego ustawienia temperatury. Jest on oparty na ilości energii przekazywanej z płyty grzewczej do naczynia.

Ustaje lub cichnie po zmniejszeniu temperatury.

Cichy gwizd

Dźwięk ten występuje, gdy naczynie jest puste. Dźwięk ustaje po umieszczeniu w naczyniu płynów lub żywności.

Trzaski

Dźwięk ten występuje w przypadku naczyń wykonanych z różnych warstw materiałów. Powodują go wibracje powierzchni, na których stykają się różne warstwy. Powstaje on na naczyniu i może się różnić w zależności od ilości żywności lub płynu oraz metody gotowania (np. gotowanie w wodzie, gotowanie na wolnym ogniu, smażenie).

Głośny gwizd

Dźwięk ten występuje w przypadku naczyń wykonanych z różnych warstw materiałów, gdy są one dodatkowo używane z maksymalną mocą, a także na dwóch strefach grzejnych. Ustaje lub cichnie po zmniejszeniu temperatury.

Normalne odgłosy pracy wentylatora

Do prawidłowego działania układu elektronicznego konieczna jest regulacja temperatury płyty grzejnej. W tym celu płyta grzejna jest wyposażona w wentylator chłodzący, który obniża i reguluje temperaturę układu elektronicznego. Wentylator może również kontynuować pracę po wyłączeniu urządzenia, jeśli wykryta temperatura płyty grzejnej jest nadal zbyt wysoka po jej wyłączeniu.

Rytmiczne dźwięki, podobne do tykania zegara

Dźwięk ten występuje tylko wtedy, gdy włączone są co najmniej trzy pola grzejne i zanika lub słabnie po wyłączeniu części z nich.

Opisane dźwięki są normalnymi odgłosami związanymi z zastosowaną technologią indukcyjną i nie powinny być traktowane jako wady.

Konserwacja i czyszczenie

⚠ OSTRZEŻENIE! Zanim odłączysz urządzenie od zasilania wyłącz je i poczekaj aż ostygnie.

⚠ OSTRZEŻENIE! Zanim przystąpisz do czyszczenia płyty, wyłącz urządzenie i poczekaj aż ostygnie.

⚠ OSTRZEŻENIE! Nie należy czyścić urządzenia generatorami pary ani myjkami wysokociśnieniowymi.



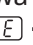





⚠ OSTRZEŻENIE! Ostre przedmioty i ściernie środki czyszczące mogą uszkodzić powierzchnię urządzenia. Po każdym użyciu czyść urządzenie i usuwaj z niego osad, używając wody ze środkiem do zmywania naczyń. Usuń również resztki środków czyszczących!

ⓘ Niedające się usunąć rysy i ciemne plamy na płycie szklano-ceramicznej nie mają wpływu na funkcjonalność urządzenia.

Usuwanie osadów i uporczywych zabrudzeń:

- Należy natychmiast usuwać żywność zawierającą cukier, plastik, folię aluminiową. Najlepszym narzędziem do czyszczenia powierzchni szklanych jest skrobak (nie dołączony do opakowania). Umieść skrobak pod kątem na szkło ceramicznym i przesuwaj nim po powierzchni płyty. Przetrzyj urządzenie wilgotną ściereczką z niewielką ilością płynu do zmywania naczyń. Następnie wytrzyj urządzenie do sucha.
- Plamy z kamienia, wyschniętej wody, tłuszczu, błyszczące metaliczne odbarwienia należy usuwać po wystygnięciu urządzenia, za pomocą środka do czyszczenia szkła ceramicznego lub stali nierdzewnej.

Rozwiązywanie problemów

Problem	Przyczyna	Rozwiązanie
Urządzenie nie działa.	Brak zasilania lub zwarcie w instalacji elektrycznej znajdującej się w Twoim domu.	
	Niepoprawne podłączenie wtyczki do gniazdka.	Sprawdź poprawność podłączenia płyty do zasilania.
	Minęło więcej niż 10 sekund od włączenia urządzenia.	Ponownie włącz urządzenie.
	Blokada chroniąca dzieci jest włączona.	Wyłącz blokadę chroniącą dzieci. (Patrz „Zabezpieczenie chroniące dzieci”).
	Jednocześnie dotknięto kilku pól dotykowych.	Dotknij jednego z pól dotykowych.
Urządzenie przerywa pracę. Komunikat błędu:  → 	Garnek jest nieodpowiedni do użytkowania na płytach indukcyjnych.	Zmień garnek na zgodny z wymaganiami płyt indukcyjnych.
	Na strefie grzejnej nie umieszczono naczynia lub jego średnica jest mniejsza niż 120 mm.	Umieść garnek na polu grzejnym.
Urządzenie przerywa pracę. Komunikat błędu:  → 	Garnek jest pusty lub zbyt wysoka temperatura gotowania.	Wyłącz urządzenie i włącz je ponownie po 5 minutach. Jeżeli komunikat E2 jest nadal wyświetlany, skontaktuj się z najbliższym sklepem IKEA.
	Wlot i wylot powietrza są zakryte.	
	Zbyt wysoka temperatura otoczenia.	
Urządzenie przerywa pracę. Komunikat błędu:  → 	Zasilanie sieciowe o napięciu przekraczającym 275 V.	Podłącz urządzenie do zgodnego źródła zasilania.
Urządzenie przerywa pracę. Komunikat błędu:  → 	Zasilanie sieciowe o napięciu niższym niż 100 V.	Podłącz urządzenie do zgodnego źródła zasilania.

Urządzenie przerywa pracę. Komunikat błędu: E → 5	Czujnik temperatury urządzenia nie działa.	Skontaktuj się z najbliższym sklepem IKEA.
Urządzenie przerywa pracę. Komunikat błędu: E → 6		
Urządzenie przerywa pracę. Komunikat błędu: E → 0	Błąd wewnętrzny	Wyłącz urządzenie i włącz je ponownie po 5 minutach. Jeżeli komunikat EO jest nadal wyświetlany, skontaktuj się z najbliższym sklepem IKEA.

Kod błędu jest wyświetlany, gdy płyta jest włączona i wykryty został błąd. Litera E i wartość liczbową wyświetlane są naprzemiennie (1 sekunda) i cyklicznie.

Jeżeli wystąpił błąd, spróbuj go rozwiązać, kierując się wskazówkami dotyczącymi rozwiązywania problemów. Jeżeli rozwiązanie problemu nie jest możliwe, skontaktuj się z najbliższym sklepem IKEA.

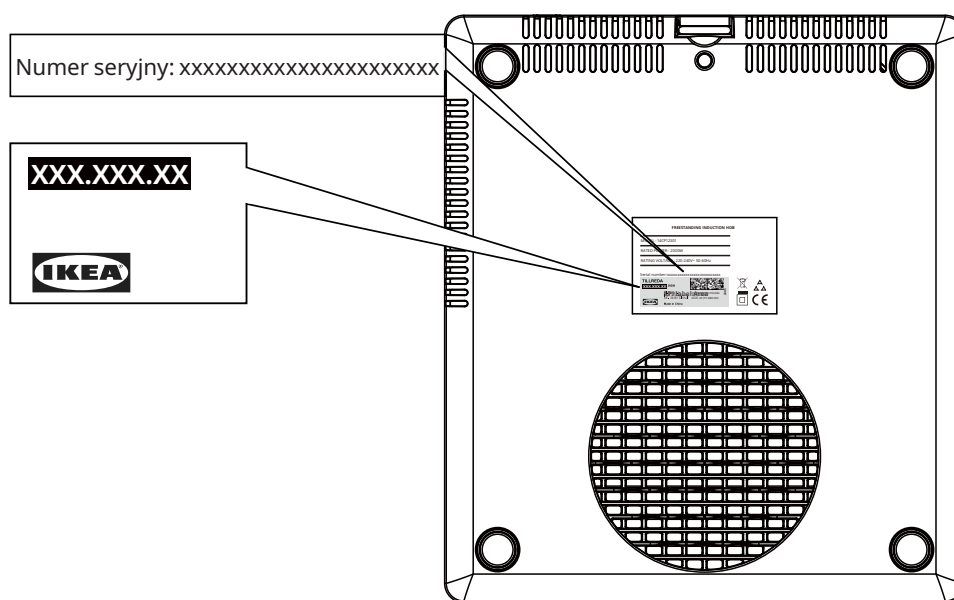
❗ W razie niepoprawnej obsługi urządzenia, naprawa nie zostanie wykonana nieodpłatnie, nawet jeżeli urządzenie nadal objęte jest gwarancją.

Dane techniczne

Model	14CP12301
Typ płyty grzejnej	Wolnostojąca kuchenka indukcyjna
Liczba stref i/lub obszarów gotowania	1
Zużycie prądu	2000 W
Napięcie	220–240 V~
Częstotliwość prądu	50–60 Hz
Głębokość	305 mm
Szerokość	270 mm
Wysokość	62 mm
Masa netto	2,33 kg

Numer seryjny
(22-cyfrowy kod rozpoczynający się od liter SN)

Numer produktu (kod ośmiocyfrowy)




Rysunek tylko do celów referencyjnych

Wydajność energetyczna

Model	14CP12301
Typ płyty grzejnej	Urządzenie przenośne
Liczba stref grzejnych	1
Technologia grzewcza	Indukcyjna
Średnica okrągłych stref grzejnych (Ø)	170 mm
Pobór mocy na strefę grzejną (EC electric cooking)	184 Wh/kg
Pobór mocy płyty (EC electric hob)	184 Wh/kg
Informacje o poborze energii i czasie, po którym produkt jest przełączany w tryb niskiego poboru energii	Urządzenie wyłączone: 0,5 W
Maksymalny czas, po którym produkt jest przełączany w tryb niskiego poboru energii	5 sekund
Dyrektywa 2009/125/WE, ROZPORZĄDZENIE KOMISJI (UE) nr 66/2014, EN 60350-2:2018+A1:2021.	

Ochrona środowiska


Utylizacja urządzeń AGD

Symbol  umieszczony na produkcie lub jego opakowaniu oznacza, że produkt nie może być utylizowany z odpadami z gospodarstwa domowego. Produkt należy przekazać do odpowiedniego punktu prowadzącego zbiórkę i recykling elektrośmieci. Poprawna utylizacja produktu pozwala uniknąć negatywnych skutków dla środowiska naturalnego i zdrowia człowieka. Więcej informacji na temat utylizacji produktu uzyskasz od władz lokalnych, firmy zajmującej się odbiorem odpadów lub sklepu, w którym kupiłeś produkt.

▲ OSTRZEŻENIE! Aby zutylizować urządzenie, wykonaj poniższe czynności:

- Odłącz wtyczkę od gniazdka zasilającego.
- Należy odciąć i wyrzucić przewód zasilający.

Utylizacja opakowań

Materiały oznaczone symbolem  nadają się do recyklingu.

Wyrzuć opakowanie do odpowiedniego pojemnika na śmieci, aby zostało poddane recyklingowi.

Oszczędzanie energii

- Jeśli jest to możliwe, zawsze przykrywaj garnek pokrywką.
- Przed włączeniem pola grzejnego umieść na nim garnek.
- Dno garnka powinno być jak najgrubsze i całkowicie płaskie.

Gwarancja IKEA

Ile obowiązuje gwarancja IKEA Warranty?

Gwarancja obowiązuje przez 2 lata od daty zakupu urządzenia w sklepie IKEA, chyba że krajowe przepisy stanowią inaczej. Informacje na temat przepisów mających zastosowanie w danym kraju dostępne są w witrynie: IKEA.com.

Aby potwierdzić zakup, należy okazać oryginał paragonu lub faktury. Wykonywanie prac gwarancyjnych nie powoduje przedłużenia okresu gwarancji urządzenia.

Kto wykonuje usługi serwisowe?

Skontaktuj się z najbliższym sklepem IKEA.

Co obejmuje gwarancja?

Niniejsza gwarancja obejmuje wady konstrukcji lub materiałów wykorzystanych do produkcji urządzenia, od dnia jego zakupu w sklepie IKEA.

Niniejsza gwarancja obowiązuje tylko w przypadku użytku domowego.

Wyjątki od powyższej zasady określone są w rozdziale zatytułowanym „Czego nie obejmuje niniejsza gwarancja?” W okresie gwarancji pokrywane będą koszty usunięcia wad, np. napraw, wymiany części, robocizny oraz koszty podróży, pod warunkiem udostępnienia urządzenia do naprawy bez specjalnych kosztów. Wymienione części są własnością IKEA.

Jakie działania IKEA podejmuje w celu usunięcia zgłoszonych wad urządzenia?

IKEA dokona sprawdzenia produktu i podejmie decyzję, czy naprawa zostanie dokonana w ramach gwarancji. W razie uznania gwarancji, IKEA naprawi wadliwy produkt lub wymieni go na taki sam lub równorzędny.

Czego nie obejmuje niniejsza gwarancja?

- Naturalne zużycie.
- Uszkodzenia umyślnego lub wynikającego z niedbalstwa, uszkodzenia spowodowanego nieprzestrzeganiem instrukcji obsługi, nieprawidłową instalacją lub podłączeniem do niewłaściwego źródła napięcia, uszkodzenia spowodowanego reakcją chemiczną lub elektrochemiczną, rdzą, korozją lub uszkodzeniem w wyniku działania wody, w tym uszkodzenia spowodowanego nadmiarem wapnia w wodzie z instalacji wodociągowych oraz uszkodzenia spowodowanego anomaliami pogodowymi.
- Materiały eksploatacyjne, takie jak baterie i żarówki.

- Wady części нефunkcyjnych i dekoracyjnych, które nie wpływają na użytkowanie urządzenia, takie jak rysy i przebarwienia.
- Przypadkowe uszkodzenia spowodowane przez ciała lub substancje obce albo czyszczenie lub udrażnianie filtrów, przewodów odpływowych lub szuflad na detergent.
- Uszkodzenia części wykonanych ze szkła ceramicznego, akcesoriów, koszyków na naczynia i sztucze, przewodów zasilających i odpływowych, uszczelek, lamp oraz ich osłon, wyświetlaczy, pokręteł, obudów oraz ich elementów. Nie dotyczy uszkodzeń wynikających ewidentnie z wad produkcyjnych.
- Naprawy, które nie zostały wykonane przez wyznaczony serwis lub autoryzowanego partnera serwisowego bądź użycie nieoryginalnych części zamiennych.
- Uszkodzenia wynikające z instalacji nieprawidłowej lub niezgodnej ze specyfikacjami.
- Wykorzystania urządzenia w środowisku innym niż domowe, tj. użytku profesjonalnego.
- Uszkodzenia podczas transportu. Jeśli transportem produktu do domu lub pod inny adres zajmuje się klient, IKEA nie ponosi żadnej odpowiedzialności za ewentualne szkody, jakie mogą powstać podczas transportu. Jednakże, w sytuacji gdy produkt jest dostarczany do klienta przez IKEA, za jego ewentualne uszkodzenia powstałe podczas dostawy odpowiada IKEA.
- Koszt pierwszej instalacji urządzenia IKEA. Jeżeli jednak firma świadcząca usługi na rzecz IKEA lub autoryzowany partner serwisowy firmy naprawi lub wymieni urządzenie w ramach niniejszej gwarancji, firma ta zainstaluje naprawione lub wymienione urządzenie, jeśli będzie to konieczne.

Stosowanie przepisów krajowych

Gwarancja IKEA daje klientowi konkretne prawa, które obejmują lub przekraczają wszystkie wymagania przepisów miejscowych. Te warunki nie ograniczają jednak uprawnień konsumenta wynikających z przepisów lokalnych.

Obszar obowiązywania

W przypadku urządzeń zakupionych w jednym państwie członkowskim UE i przewiezionych do innego państwa członkowskiego UE, usługi serwisowe świadczone będą na standardowych warunkach gwarancyjnych obowiązujących w nowym państwie. Obowiązek świadczenia usług w ramach gwarancji istnieje wyłącznie pod warunkiem, że urządzenie spełnia wymogi i jest zainstalowane zgodnie:

- ze specyfikacją techniczną dla państwa, w którym zgłaszana jest reklamacja gwarancyjna;
- z instrukcjami podanymi w podręczniku instalacji i zaleceniami dotyczącymi bezpieczeństwa podanymi w podręczniku użytkownika.

SERWIS IKEA dla urządzeń AGD

Prosimy o kontakt z IKEA w celu:

- rejestracja zgłoszenia serwisowego w ramach gwarancji;
- prośba o informacje dotyczące działania urządzeń IKEA.

Aby zapewnić jak najlepszą pomoc z naszej strony, przed kontaktem z nami prosimy o dokładne zapoznanie się z instrukcją montażu i/lub instrukcją obsługi.

Jak uzyskać naszą pomoc



Biuro obsługi klienta IKEA na bieżąco udzieli podstawowych informacji na temat rozwiązywania problemów z urządzeniem. Zajrzyj do katalogu IKEA lub wejdź na stronę www.ikea.com, aby odnaleźć numer telefonu i godziny pracy najbliższego sklepu.

Aby usprawnić obsługę, przygotuj numer produktu IKEA (8-cyfrowy kod), znajdujący się na płycie znamionowej urządzenia.

PROSIMY O ZACHOWANIE DOWODU ZAKUPU!

Oryginał paragonu lub faktury jest warunkiem do korzystania z usług gwarancyjnych. Dowód zakupu zawiera również nazwę oraz numer artykułu IKEA (ośmiocyfrowy kod) dla każdego z zakupionych urządzeń.

Czy potrzebujesz dodatkowej pomocy?

W przypadku dodatkowych pytań, które nie dotyczą urządzeń zakupionych w IKEA, prosimy o kontakt z najbliższym centrum informacyjnym IKEA. Przed skontaktowaniem się z nami uważnie przeczytaj dokumentację urządzenia.

Sisukord

Ohutusteave	189	Hooldamine ja puhastamine	197
Ohutusjuhised	190	Tõrkeotsing	197
Toote kirjeldus	192	Tehnilised andmed	198
Märgukuvad	193	Energiatõhusus	199
Igapäevane kasutamine	194	Keskkonnaküsimused	199
Toidu valmistamine	195	IKEA garantii	200
Kööginõu valimine	195		

Ohutusteave

- ⓘ Seadme ohutuse ja korrektse töö tagamiseks lugege see juhend enne paigaldamist ja kasutamist hoolikalt läbi. Hoidke need juhised alati alles, ka siis kui te toodet teisaldate või müüte. Kasutajad peavad seadme töö- ja ohutusfunktsioone täielikult tundma.

Õige kasutamine

- Ärge jätke seadet töötamise ajal järelevalveta.
- Seade on eranditult koduseks kasutamiseks.
- Seade on eranditult siseruumides kasutamiseks.
- Seadet ei tohi kasutada tööpinnana ega teiste esemete hoidmiseks.
- Ärge pange ega hoidke seadmes ega selle läheduses tuleohtlikke vedelikke, kergesti süttivaid materjale ega sulavaid esemeid (nt plastkile, plast, alumiinium).
- Olge ettevaatlik, kui ühendate elektriseadmeid läheduses asuvate pistikupesadega. Ärge laske ühenduskaablitel seadme või kuumade kööginõudega kokku puutuda ega neisse takerduda.
- Ärge parandage seadet ise, et vältida vigastusi ja seadme kahjustamist. Pöörduge alati lähima IKEA kaupluse poole.

Laste ja nõrgemate inimeste turvalisus

- Seadet tohivad kasutada lapsed alates 8. eluaastast, vähenenud füüsiliste, sensorsete või vaimsete võimetega isikud või varasemate kogemuste ja teadmisteta isikud järelevalve all, kui neile

õpetatakse seadme ohutut kasutamist ning kui nad mõistavad seadmega seotud ohtusid.

- Hoidke kõik pakendid lastest eemal. Esineb lämbumisoht.
- Hoidke lapsed töötamise ajal seadmest eemal, nagu ka siis, kui te seda ei kasuta.
- Alla 8-aastased lapsed tuleb hoida seadmest eemal või seadme läheduses pideva järelevalve all.
- Lapsed ei tohi seadmega mängida. Lapsed ei tohi seadet puhastada ega hooldada ilma järelevalveta.

⚠ **HOIATUS!** Lülitage lapselukk sisse, et väikelapsed ega lemmikloomad ei saaks seadet tahtmatut sisse lülitada.

Üldine ohutus

- Hoidke ventilatsioonivad seadme korpuses või sisseehitatud konstruktsioonis takistustevabad.
- Vigastuste vältimiseks ärge puudutage paneeli, kui jääsoojuse märgutuli endiselt põleb.
- Elektrilöögi vältimiseks ärge pange induktsioonpliidile selle töötamise ajal ühtegi eset.
- Ärge mähkige nõöri kaela ümber, et vältida kägistamisohtu.
- Seadme puhastamiseks ei tohi kasutada aurupuhastit.
- Metallist esemeid, nagu noad, kahvlid, lusikad ja kaaned, ei tohi pliidi pinnale asetada, kuna need võivad kuumeneda.
- Pärast kasutamist lülitage pliidi element lülitist välja; ärge usaldage ainult pannidetektorit.

- Seade ei ole mõeldud kasutamiseks välise taimeri või eraldi kaugjuhtimissüsteemi abil.
- Soojenevate elementide puudutamisel tuleb olla ettevaatlik.
- Õnnetuste vältimiseks tohib kahjustatud elektrijuhtme välja vahetada ainult tootja, volitatud hoolduskeskus või sarnase kvalifikatsiooniga spetsialist. Pöörduge lähimasse IKEA poodi.
- Seade on mõeldud koduseks vms kasutuseks, nagu näiteks:
 - poodide töötajatele mõeldud aladel, kontorites ja muudes töökeskkondades;
 - talumajades;
 - hotellide, motellide ja muude majutusasutuse tüüpi asutuste keskkonnas;
 - hommikusöögiga öömaja pakkuvates keskkondades.

⚠ ETTEVAATUST: Kuumad pinnad!
Kasutamise ajal pinnad kuumenevad.

⚠ HOIATUS! Kui pind on pragunenud, siis lülitage seade elektrilöögi vältimiseks välja. Pöörduge lähimasse IKEA poodi.

⚠ HOIATUS! Seade ja selle juurdepääsetavad osad kuumenevad kasutamise ajal.

⚠ HOIATUS! Pliidiplaadil rasva või õliga toitu valmistades ärge jätke seda järelvalveta, sest see võib olla ohtlik ja põhjustada tulekahju. Tule kustutamiseks EI TOHI kasutada vett. Lülitage seade välja ning seejärel katke leek kaane või tulekustutustekiga.

Ohutusjuhised

Paigaldamine

- Tootja ei vastuta inimeste ega lemmikloomade vigastuste või varaliste kahjude eest, mis on põhjustatud järgmiste nõuete täitmata jätmisest.
- ⚠ **ETTEVAATUST!** Paigaldamisega jätkamiseks lugege ohutusteavet.
- ⚠ **HOIATUS!** Paigaldamisel tuleb järgida kasutusriigis kehtivaid seadusi, määrusi, direktiive ja standardeid (elektriohutuse eeskirjad ja reeglid, määruste kohane jäätmekäitlus jne)!
- Vältige seadme paigaldamist uste kõrvale ja akende alla, kuna kuumad kööginõud võivad uste ja akende avamisel pliidilt maha kukkuda.
- Veenduge, et seade pole transpordi tõttu kahjustatud. Ärge ühendage kahjustatud seadet.
- Ärge paigaldage seadet, kui see on transpordi ajal kahjustatud.

- Ärge ühendage pliidiplaati pikendusjuhtmete abil ja ärge asetage pliidiplaadi juheta üle tööpiirkondade.
- Ärge muutke spetsifikatsioone ega muutke seda toodet. Vigastusoht ja seadme kahjustamise oht.

⚠ **HOIATUS!** Järgige hoolikalt elektriühenduste juhiseid.

Elektriühendused

- Enne ühendamist kontrollige, kas andmesildil näidatud seadme nimipinge vastab saadaolevale toitepingele. Vaadake seadme nimivõimsust ja veenduge, et teie kodu elektrijuhtmestik on seadme võimsusele sobiva ristlõikega (vaadake võimsust tehniliste andmete peatükist).
- Andmesilt asub pliidiplaadi alumises korpuses.
- ⚠ **HOIATUS!** Elektrivoolu põhjustatud vigastuste oht.
- Lahtised ja sobimatud pistikud- ja pistikupesad võivad põhjustada kontakti ülekuumenemist.

Enne kasutamist:

Enne kasutamist pöörake tähelepanu järgmistele juhistele.

- Kasutage standardset vooluvõrgus olevat pistikupesast ja kontrollige seda regulaarselt, et vältida kahjustusi.
- Ärge püüdke seadet ise avada ega laske seda teha mittepädeval isikul. Laske seade parandada selle teenindajal või samaväärse pädevusega elektrikul.
- Palun kontrollige toitejuhet ja pistikut. Kui toitejuhe või pistik on vigastatud, siis ärge kasutage seadet. Ärge tõmmake pistikut märja käega välja.
- Ärge kasutage pikendusjuhet; seadme tohib ühendada ainult otse vooluvõrku ühendatud pistikupesaga.
- Kui seadet pole kaua kasutatud, lülitage see esmalt 10 minutiks sisse, et selle elektroonilised osad saaksid stabiliseeruda. Alles seejärel võib seadet kasutama hakata.
- Ärge kasutage seadet veeanuma, lahtise leegi lähedal ega niiskes kohas. Seade on ette nähtud VAID ruumis kasutamiseks.
- Enne kasutamise hakkamist eemaldage sellelt kogu pakend, kleebised ja kile.
- Kõrgetemperatuur tuleb pärast iga kasutuskorda juhtseadistest välja lülitada; ärge usaldage ainult pannidetektorit.
- Põletusohu! Metallist esemeid, nagu noad, kahvlid, lusikad ja potikaaned, ei tohiks pliidi pinnale asetada, kuna need võivad kuumeneda.

⚠ HOIATUS! Tuleoht! Ülekuumenenud rasvad ja õlid võivad väga kiirelt süttida.

⚠ HOIATUS! Implanteeritud südamestimulaatoriga kasutajad peaksid hoidma ülakeha sisselülitatud induktsiooniladest vähemalt 30 cm kaugusel.

⚠ HOIATUS! Ärge kasutage seadet märgade kätega ja hoidke juhtpaneeli pind kuiv. Juhtpaneeli lüliteid ei saa kasutada, kui neil on suurem kogus vett.

⚠ HOIATUS! Kui pind on pragunenud, lülitage seade elektrilöögi vältimiseks välja.

Kasutusjuhised ja kasutusjärgne tegevus:

Süttimise ja õnnetuste vältimiseks pöörake tähelepanu järgmisele juhisele.

- Seadme tohib paigaldada VAID tasasele ja tugevale pinnale.
- Tuleb jälgida, et lapsed seadmega ei mängiks.
- Ärge pange pliidiplaadile seadme töötamise ajal järgmisi esemeid.
 - a) Roostevaba teras
 - b) Raud
 - c) Malm
 - d) Alumiinium
 - e) Kaaned ja email
 - f) Noad, kahvlid, lusikad
 - g) Taldrikuid, mis on valmistatud rauast, roostevabast terasest, malmist või alumiiniumist
 - h) Tühjad kööginõud
- Ärge tõstke või liigutage sisselülitatud seadet, kui sellel on kööginõud.
- Kuumutamisel säilitage ventilatsiooni jaoks head ümbritsevat keskkonda.
- Ärge pange seadme õhu sisse- või väljalaske avadesse traati ega metallesemeid.
- Paneeli hoidmine.
 - a) Ärge kukutage paneelile raskeid esemeid.
 - b) Ärge valage paneelile vett, hapet ega muid vedelikke.
 - c) Ärge valmistage pliidiplaadil roogasid, mis on seotud tulega.
 - d) Ärge pange plaadile ühtegi kuuma kööginõud, kui seade pole kasutusel.
 - e) Kui pliidiplaat (paneel) on pragunenud, siis lülitage seade kohe välja, et vältida elektrilööki ja tagastage see lähimasse IKEA poodi.
 - f) Mõni kööginõu võib kasutamise ajal tekitada müra. Kööginõud veidi liigutades võin müra kaduda või väheneda. Kui ei, siis vahetage kööginõu välja.

- Ärge hoidke töötavat seadet vaibal, riidel või paberil,.
- Ärge puudutage kuuma paneeli. Paneel on endiselt kuum kuni jääsoojuse märgutule kustumiseni, isegi kui toide on välja lülitatud.
- Ärge tõmmake seadet pistikupesast lahtiühendamiseks juhtmest.
- Enne pistiku eemaldamist pistikupesast lülitage seade välja ja laske sel maha jahtuda. Ühendage toitejuhe lahti, kui seadet pikka aega ei kavatse kasutada.
- Hoidke kööginõud pärast kasutamist seadmest eemal.
- Kööginõude ja klaaskeraamika kahjustamise vältimiseks ärge laske keedupotil või praepannil kuivaks keeda.
- Ärge kasutage küpsetusalasid tühjalt või ilma kööginõudeta.
- Ärge kunagi laske seadme ühelgi osal kokku puutuda alumiiniumfooliumiga. Ärge kunagi pange seadmesse või seadmele plasti või muid sulavaid materjale.

⚠ HOIATUS! Hoidke toodet pärast kasutamist vooluvõrku ühendatuna, kuni ventilaator ja kuumuse märgutuli on välja lülitunud.

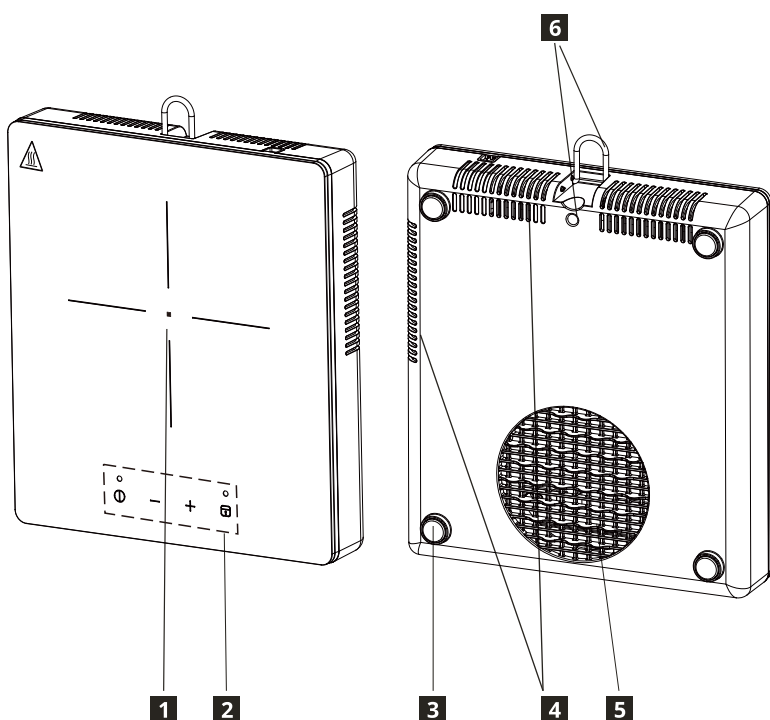
Kuidas vältida seadme kahjustusi

- Kukkuvad esemed või kööginõud võivad klaaskeraamikat kahjustada.
- Malmist, valatud alumiiniumist või kahjustatud põhjaga kööginõud võivad pinnal libisedes klaaskeraamikat kriimustada.
- Klaaskeraamika võib katki minna ka põrandale kukkudes.

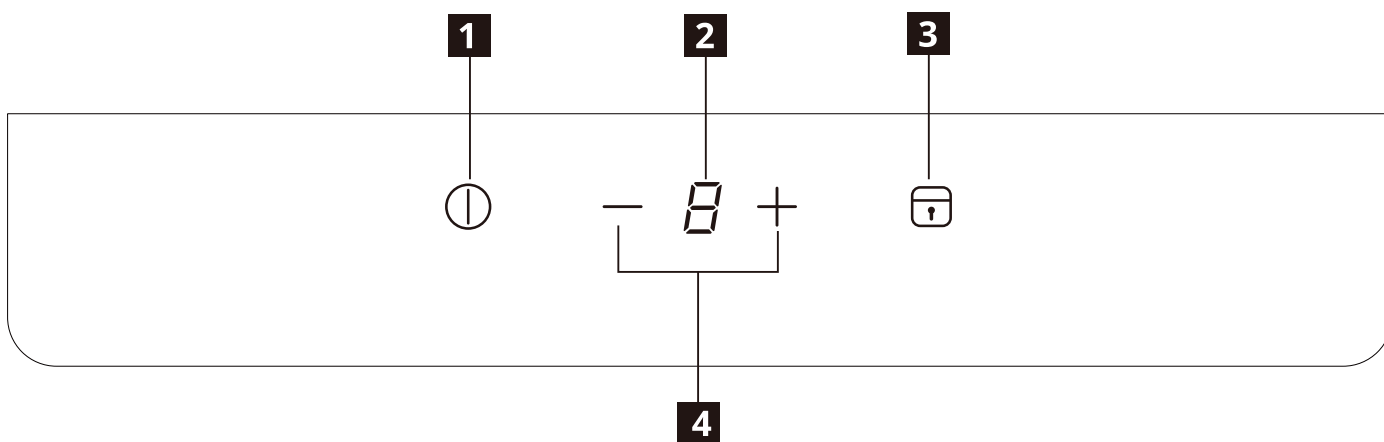
Teave akrüülamiidide kohta

Pange tähele! Viimaste teaduslike andmete kohaselt võib toidu, eriti tärglist sisaldavate toodete intensiivne pruunistamine olla akrüülamiidide tõttu tervisele kahjulik. Seetõttu soovitame küpsetada vmadalaimal võimalikul temperatuuril ja toitu mitte liiga palju pruunistada.

Toote kirjeldus



- 1** Kuumutusala
Keeduala 170 mm, 2000 W
- 2** Juhtpaneel
- 3** Silikoonkummist jalg
- 4** Õhutusava
- 5** Õhu sissevõtuava
- 6** Riputuskonks



Juhtpaneeli vaade

- 1** Sisse/Välja
- 2** Võimsustaseme näidik
- 3** Lukk/Lapselukk
- 4** Võimsustaseme seadistamine - / +

Puuetundlike andurite väljad ja kuvad

Pliidi juhtimiseks puudutage puuetundlikke andureid.

Kuvad ja helisignaalid (lühike piiks) kinnitavad funktsiooni valimist.

Võimsuse tase	1	2	3	4	5	6	7	8	9
Võimsus	150 W	250 W	300 W	450 W	600 W	800 W	1100 W	1500 W	2000 W

Märgukuvad

☹ Kööginõu on valesti paigutatud või puudub

See sümbol kuvatakse siis, kui kööginõu induktsioonkuumutamiseks ei sobi, pole nõuetekohaselt paigaldatud või on valitud keedukohale ebasobiva suurusega. Kui kööginõud pole tuvastatud 30 sekundi jooksul alates valikust, lülitub keedukoht välja.

H Jääksoojus

Kui näidikul kuvatakse „H“, siis on keedukoht

veel kuum. Kui keedukoht on maha jahtunud, lülitub märgukuva välja.

⚠ HOIATUS! Jääksoojus võib põhjustada põletusi! Pärast seadme väljalülitamist vajavad küpsetusalad veidi jahtumist. Vaadake jääksoojuse märgutuld **H**.

Kasutage jääksoojust toidu sulatamiseks ja soojas hoidmiseks.

Ärge ühendage toodet lahti, ootamata **H** kustumist.

Igapäevane kasutamine



Ühendamine pistikupessa

1. Pärast pistiku sisestamist vooluvõrku aktiveeritakse lapselukk. Deaktiveerimiseks hoidke lapseluku nuppu kolm sekundit all.

Sisse/Välja

1. Vajutage nuppu SISSE/VÄLJA, ekraanile ilmub ooterežiimis „0“ ja toite märgutuli süttib. Kui 30 sekundi jooksul pole kuumusastet valitud, lülitub pliit ise välja, ilma nupule SISSE/VÄLJA vajutamata.
2. Kasutamise ajal vajutage nuppu SISSE/VÄLJA, pliit lülitub välja.



Võimsustaseme seadistamine

1. Võimsustaseme määramiseks vajutage nuppu — või nuppu +.
2. Nupu — vajutamisel lülitub kohe sisse tase „9“. Nupuga — saate võimsust järk-järgult alandada tasemelt „9“ tasemele „1“.
3. Nupu + vajutamisega saab võimsustaset tõsta alates tasemelt „1“.
Nupu + vajutamisega saab võimsust tõsta tasemelt „1“ tasemele „9“.



Lukustusfunktsioon

Kui keedukoht on sisse lülitatud, saate juhtpaneeli lukustada, näiteks selleks, et pliidiplaati puhastada. Sellega on välditud võimsustaseme juhuslik muutmine. Pliidiplaadi saab endiselt välja lülitada SISSE/VÄLJA nupust.

Luku aktiveerimine

1. Määrake soovitud võimsustase.
2. Hoidke lukustusnuppu all 3 sekundit. Kui lukustuse märgutuli süttib ja kostub helisignaal, on funktsioon aktiveeritud.

Luku avamine

1. Hoidke lukustusnuppu all 3 sekundit. Kui lukustuse märgutuli süttib ja kostub helisignaal, on funktsioon deaktiveeritud.
2. Võimsustase naaseb varasemale sättele.

Lapseluku funktsioon

Juhtpaneeli saate lukustatuna hoida ka siis, kui pliidiplaati ei tööta. See funktsioon hoiab ära seadme tahtmatu sisse lülitamise.

Lapseluku aktiveerimine

1. Aktiveerige seade SISSE/VÄLJA nupust. Ärge määrake ühtegi võimsustaset.
2. Hoidke lukustusnuppu all 3 sekundit. Kui lukustuse märgutuli süttib ja kostub helisignaal, on funktsioon aktiveeritud.
3. Desaktiveerige seade SISSE/VÄLJA nupust.

Lapseluku välja lülitamine

1. Hoidke lukustusnuppu all 3 sekundit. Kui lukustuse märgutuli süttib ja kostub helisignaal, on funktsioon deaktiveeritud.

Automaatlüliti

Lülitab pliidiplaadi automaatselt välja järgmistel juhtudel:

- Kõik küpsetusalad on välja lülitatud.
- Pärast pliidi sisse lülitamist pole KASUTAJA seadistanud võimsustaset 30 sekundi jooksul.
- KASUTAJA pole lülitanud keedukohta välja või muutnud võimsustaset 2 tunni jooksul või on ilmnenud ülekuumenemine (näiteks kööginõu on kuivaks keenud).

Toidu valmistamine


Kuumusaste	Milleks kasutada:	Aeg (min)	Nõuanded
1	• Valminud toitu soojas hoidmine.	vastavalt vajadusele	Katke keedunõu kaanega.
1-2	• Hollandi kaste; sulatamine: või, šokolaad, želatiin.	5-25	Segage aeg-ajalt.
2-3	• Hautatud riis ja piimaroad, valmistoidu soojendamine.	25-50	Lisage riisile selle mahust vähemalt kaks korda rohkem vedelikku; segage piimaroogasid poolepealt kogu valmistamise ajal.
4-5	• Aurutatud köögiviljad, kala, liha, kartul.	20-45	Lisage väike kogus vett.
	• Suurema koguse toidu ja hautiste valmistamine.	60-150	Lisage väike kogus vett.
5-6	• Õrn praadimine: paneeritud vasikaliha, liha- jm kotletid, vorstid, kaste, munad.	vastavalt vajadusele	Keerake poole peal ümber.
7-8	• Kartulikotletid, praeliha.	5-15	Keerake poole peal ümber.
9	• Vee keetmine, pasta keetmine, liha praadimine (guljašš, praad), friikartulid.		

Kööginõu valimine

Millist nõud valida?

Kasutage potte ja panne, mille põhi on valmistatud sellisest ferromagnetilisest materjalist, mis sobib induktsioonpliidil kasutamiseks:

- Malm
- Emailitud teras
- Süsinikteras
- Roostevaba teras (mitte kõik)
- Alumiinium ferromagnetilise kattega või ferromagnetilise alusplaadiga

Poti või panni sobivuse tuvastamiseks vaadake  sümbolit (tavaliselt on see põhja all). Võite ka panna magneti põhja alla. Kui magnet jääb põhjale kinni, siis see kööginõu sobib induktsioonpliidil kasutamiseks.

Kasuteguri tõstmiseks kasutage tasase põhjaga potte ja panne, mis soojust ühtlaselt jaotavad. Kui põhi on ebaühtlane, mõjutab see võimsuse ja soojuse ülekannet.

Kuidas kasutada?

Poti/panni aluse väikseim läbimõõt erinevatele keedualadele

Keeduala nõuetekohaseks toimimiseks peab kööginõu katma ühte või enamat pliidiplaadil olevat märki ja olema vähemalt minimaalse läbimõõduga.

Kasutage seda keeduala, mis kõige paremini vastab kööginõu põhja läbimõõdule.

Keedukoht	Soovitav kööginõu läbimõõt [mm]
Tagumine keskmine keedukoht	120-180

Tühjad ja õhukesepõhjalised potid/pannid

Ärge pange pliidiplaadile tühjasid või õhukesepõhjalisi potte/panne, sest siis pole võimalik temperatuuri jälgida või pliiti välja lülitada, kui temperatuur on liiga kõrge ja see kahjustab kööginõud või köögiplaadi pinda. Kui tekib selline olukord, ärge midagi puudutage ja oodake kõikide osade jahtumist.

Kui näidata sõnumit, juhenduge peatükist „Tõrkeotsing“.

Näpunäited/soovitused

Küpsetamise ajal on kuulda heli

Kui keedukoht on sisse lülitatud, võib pliit kergelt sumiseda. See kaasneb keedukoha keraamilise plaadi kuumenemisega ja ei mõjuta seadme tööd ega kasutusiga. See hääl sõltub kasutatavast kööginõust. Kui see oluliselt häirib, võib aidata kööginõu vahetamine.

Tavaline müra induktsioonpliidi töötamisel

Induktsioonpliidi kuumenemine põhineb elektromagnetiliste väljade loomisele, mis väljutavad kuumuse vahetult kööginõu põhjale. Potid ja pannid võivad põhjustada erinevaid häáli või vibratsiooni, sõltuvalt sellest kuidas need on valmistatud. Tekkivad hääled on järgmised:

Madalsageduslik sumin (nagu trafo)

See müra tekib suurel kuumusel küpsetamisel. See põhineb pliidiplaadilt kööginõule ülekantava energia määral.

See hääl kaob või muutub vaiksemaks kui kuumutamise taset alandada.

Vaikne vilin

Müra tekib siis, kui keedunõu on tühi. See lõpeb, kui nõusse pannakse vedelik või toit.

Praksumine

See hääl tekib sellise toiduvalmistamise nõu kasutamisel, mis on valmistatud mitmest erineva materjali kihist.

See hääl tekib pindade vibratsioonist kohtades, kus erinevad materjalide kihid kokku puutuvad. Toidu valmistamise nõudes tekkivad hääled sõltuvad toidu või vedeliku kogusest ja toidu valmistamise viisist (nt, keetmine, hautamine, praadimine).

Vali vilin

See müra tekib sellise toiduvalmistamise nõu kasutamisel, mis on koosneb mitmest erineva materjali kihist ning kui selliseid nõusid kasutatakse maksimaalsel võimsusel ja samaaegselt kahes keedukohas. See hääl kaob või muutub vaiksemaks kui kuumutamise taset alandada.

Need hääled on tavapärased

Elektronjuhtimise süsteemi nõuetekohaseks toimimiseks on vajalik reguleerida pliidi temperatuuri. Selleks on pliidil jahutusventilaator, mis aktiveerub, et alandada ja reguleerida elektroonikasüsteemi. Ventilaator võib jätkuvalt tööle jääda ka pärast seadme välja lülitamist, kui tuvastatud temperatuur on liiga kõrge pärast välja lülitamist.

Rütmilised helid, mis meenutavad kella tiksumist

Seda häält on kuulda, kui vähemalt kolm keedukohta töötavad ja see kaob või nõrgeneb, kui mõni neist välja lülitada.

Kirjeldatud hääled on tavapärased, need kaasnevad induktsiooniga ja need ei tähenda riket.

Hooldamine ja puhastamine

⚠ HOIATUS! Enne lahti ühendamist lülitage seade välja ja laske sellel jahtuda.

⚠ HOIATUS! Enne puhastamist lülitage seade välja ja laske sellel jahtuda.

⚠ HOIATUS! Ohutuse tagamiseks ärge puhastage seadet aurujugade või kõrgsurvepesuritega.

⚠ HOIATUS! Teravad esemed ja abrasiivsed puhastusvahendid kahjustavad seadet. Puhastage seade ja eemaldage jäägid pärast iga kasutamist vee- ja pesuvedelikuga. Eemaldage ka puhastusvahendite jäänused!

ⓘ Kriimustused või tumedad plekid klaaskeraamilal, mida ei saa eemaldada, ei mõjuta seadme tööd.

Jääkide ja raskema mustuse eemaldamine:

- Toit, mis sisaldab suhkrut, plasti ja tinafooliumijääke tuleb eemaldada kohe. Parim vahend klaasipinna puhastamiseks on kaabits (ei kuulu seadmega komplekti). Asetage kaabits nurga all klaaskeraamilisele pinnale ja eemaldage jäägid tera üle pinna libistades. Pühkige seadet niiske lapiga ja väikese koguse pesuvedelikuga. Lõpetamiseks hõõruge seade puhta lapiga kuivaks.
- Katlakivi rõngad, veejääkide rõngad, rasvapritsmed ja läikivad metallsed värvimuutused tuleb pärast seadme jahtumist eemaldada klaaskeraamilisele või roostevabale terasele mõeldud puhastusvahendi abil.

Tõrkeotsing

Probleem	Võimalik põhjus	Lahendus
Seade ei tööta.	Teie koduses toiteallikas puudub elekter või see on lühises.	
	Toiteühendus pistikupesaga pole õigesti teostatud.	Nõuetekohase ühenduse tagamiseks kontrollige pliidiplaadi toiteallikat.
	Seadme sisselülitamisest on möödunud üle 10 sekundi.	Lülitage seade uuesti sisse.
	Lapselukk on sisse lülitatud.	Desaktiveerige lapselukk. (Vt jaotist „Lapselukk“).
	Korraga puudutati mitut andurit.	Puudutage korraga ainult ühte andurit.
Seadme töötamine seiskus. Rikkecode: U + U	Kööginõu pole induktsioonkuumutamiseks sobiv.	Valige induktsioonpliidile sobiv kööginõu.
	Keedukohal pole kööginõud või on kööginõu läbimõõt alla 120 mm.	Asetage küpsetusalale kööginõu.
Seadme töötamine seiskus. Rikkecode: E + 2	Kööginõud on tühjad (kuivaks keenud) või keetmise temperatuur on liiga kõrge.	Lülitage seade välja ja taaskäivitage 5 minuti pärast. Kui näidatakse jätkuvalt rikkekoodi E2, pöörduge lähimasse IKEA kauplusse.
	Õhu sisse- ja väljalaskeava on blokeeritud.	
	Ümbritseva õhu temperatuur on liiga kõrge.	
Seadme töötamine seiskus. Rikkecode: E + 3	Toitepinge on vahelduvvooluga üle 275 V.	Valige tootele sobiv toiteallikas.
Seadme töötamine seiskus. Rikkecode: E + 4	Peamine toiteallikas on vahelduvvooluga alla 100 V.	Valige tootele sobiv toiteallikas.

Seadme töötamine seiskus. Rikkekode: E → 5	Seadme temperatuuriandur ei tööta.	Pöörduge lähimasse IKEA poodi.
Seadme töötamine seiskus. Rikkekode: E → 6		
Seadme töötamine seiskus. Rikkekode: E → 0	Sisemine erand	Lülitage seade välja ja taaskäivitage 5 minuti pärast. Kui näidatakse jätkuvalt rikkekoodi EO, pöörduge lähimasse IKEA kauplusse.

Rikkekode näitab, et pliidiplaat on sisse lülitatud ja tuvastati rike, täht „E” ja sellele järgnevaid numbreid näidatakse katkendlikult (1 sekundi jooksul) ja ringlevalt.

Püüdke tekkinud rikke põhjus kõrvaldada rikkeotsingu juhiseid järgides. Kui rikke põhjust ei õnnestu kõrvaldada, pöörduge lähimasse IKEA poodi.

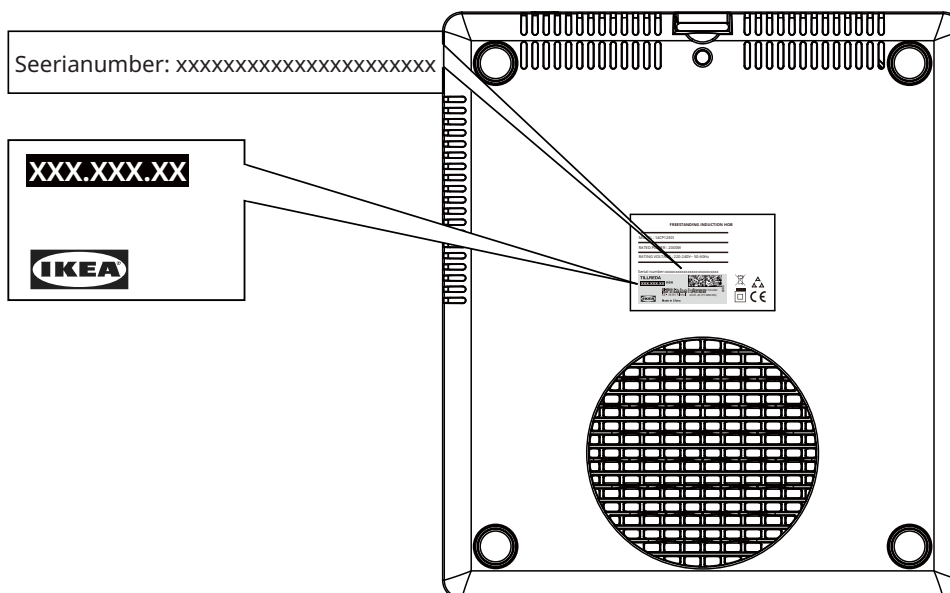
ⓘ Kui kasutasite seadet valesti, ei pruugi edasimüüja kohale tulla tasuta isegi garantiiaja jooksul.

Tehnilised andmed

Mudel	14CP12301
Pliidiplaadi tüüp	Eraldiseisev induktsioonpliit
Keedutsoonide ja/või keedukohtade arv	1
Nimivõimsus	2000 W
Nimipinge	220–240 V~
Nominaalsagedus	50–60 Hz
Sügavus	305 mm
Laius	270 mm
Kõrgus	62 mm
Netokaal	2,33 kg

Seerianumber (SN
algusega 22-kohaline
kood)

Artikli number
(8-kohaline kood)




Pilt on ainult näitlik

Energiatõhusus

Mudeli tähis	14CP12301
Pliidiplaadi tüüp	Kaasaskantav seade
Keedukohtade arv	1
Soojendustehnoloogia	Induktsioon
Keedukohtade läbimõõt (Ø)	170 mm
Keedukoha energiatarve (EÜ elektrilised küpsetusseadmed)	184 Wh/kg
Pliidiplaadi energiatarve (EÜ elektriline pliidiplaat)	184 Wh/kg
Teave toote energiatarbimise ja vähese energiatarbega režiimi lülitumise kohta	väljalülitatud olek: 0,5 W
Maksimaalne aeg, mis kulub kohaldatavasse vähese energiatarbega režiimi jõudmiseks	5 sekundit
Direktiiv 2009/125/EÜ, KOMISJONI MÄÄRUS (EL) nr 66/2014, EN 60350-2:2018+A1:2021.	

Keskkonnaküsimused


Majapidamisseadmete kasutusest kõrvaldamine

Tootel või selle pakendil olev sümbol  näitab, et seda toodet ei tohi käsitleda olmeprügina. Selle asemel tuleks see viia elektri- ja elektroonikaseadmete ringlussevõtuks sobivasse kogumispunkti. Selle toote nõuetekohase kõrvaldamisel aitate vältida võimalikke negatiivseid tagajärgi keskkonnale ja inimeste tervisele, mis muidu võivad olla põhjustatud toote jääkide väärast kõrvaldamisest. Selle toote ringlussevõtu kohta täpsema teabe saamiseks pöörduge kohaliku omavalitsuse, olmejäätmete kõrvaldamise teenuse või kaupluse poole, kust toote ostsite.

⚠ HOIATUS! Seadme kõrvaldamiseks toimige järgmiselt:

- Tõmmake pistik pistikupesast välja.
- Lõigake toitejuhe läbi ja visake see ära.

Pakkematerjalide kõrvaldamine

Sümboliga  materjalid on taaskasutatavad. Kõrvaldage pakend ringlussevõtuks sobivas kogumiskonteineris.

Energia säästmine

- Võimalusel katke pannid alati kaanega.
- Asetage kööginõud küpsetusalale enne selle sisse lülitamist.
- Kööginõu põhi peaks olema võimalikult paks ja tasane.

IKEA garantii

Kui kaua IKEA garantii kehtib?

See garantii kehtib 2 aastat seadme esmase IKEA-st ostmise kuupäevast, kui pole riiklike seadustega muudmoodi sätestatud. Avage veebisait IKEA.com, et vaadata, mis tingimused kehtivad teie asukohariigis. Ostu peab tõestama ostudokumendi originaaliga. Garantii alusel teostatud hooldus ei pikenda koduseadme garantii kestust.

Kes teeb hooldustöid?

Pöörduge lähimasse IKEA kauplusse.

Millele garantii kehtib?

Garantii kehtib seadme nendele riketele, mille põhjuseks on konstruktsiooni- või materjalivead mis on ilmnunud alates IKEA-st ostmise kuupäevast. See garantii kehtib vaid seadme kodukasutuse puhul. Erandid on loetletud punktis „Mis pole selle garantiiga kaetud?“. Garantii kehtivuse ajal korvatakse rikke kõrvaldamise kulud, näiteks remondikulud, osade maksumus, töö- ja transpordikulud, eeldusel, et seade on remondiks ligipääsetav ilma erikulutusteta. Asendatud osad jäävad IKEA omandisse.

Mida IKEA teeb probleemi lahendamiseks?

IKEA kontrollib toote üle ja otsustab oma äranägemisel, kas garantii hõlmab vea kõrvaldamist. Kui see hõlmab, siis IKEA otsustab oma äranägemisel, kas vigane toode tuleb remontida või asendada sama või sarnase tootega.

Mis pole selle garantiiga kaetud?

- Tavapärane kulumine.
- Vigastused, mis on tekitatud sihilikult või hooletusest, põhjustatud kasutusjuhendi juhiste eiramisest, ebaõigest paigaldusest või valest toitepingest, keemilisest või elektrikeemilisest reaktsioonist, roostest, söövitusest või veekahjustusest, kaasa arvatud, kuid mitte ainult veetoitesüsteemi liigsest lubjasisaldusest või ebaharilikest keskkonnatingimustest.
- Kulutarvikud, kaasa arvatud patareid ja lambid.

- Mittetoimivad osad ja ehisosad, mis seadme tavapärasest tööd ei mõjuta, kaasa arvatud kriimustused ja võimalikud värvimuutused.
- Kõrvaliste esemete või ainete ja filtrite, äravoolusüsteemide või pesuainesahtli puhastamisest või ummistumisest põhjustatud vigastused.
- Järgmiste osade vigastused: keraamilised klaasid, tarvikud, lauanõude ja söögiriistade korvid, vee etteande- ja äravoolutorud, tihendid, lambid ja lambikatted, kaitseekraanid, nupud, korpused ja korpuste osad. Välja arvatud juhtumid, mille puhul on tõendatud tootmisveast tingitud rike.
- Teiste, mitte meie määratud teenindajate ja/ või volitatud teenuslepinguga partnerettevõtte tehtud remonditööd või kui on kasutatud muid kui originaalvaruosi.
- Remonditööd, mis on tingitud puudulikust või nõuetele mittevastavast paigaldusest.
- Kodumasina kasutamine väljaspool kodust keskkonda, nt kutsealaseks kasutamiseks.
- Transpordivigastused. IKEA ei võta vastutust vigastuste eest, mis võivad tekkida sel ajal, kui klient veab seadme koju või mõnda teise asukohta. Kui IKEA tarnib toote kliendi antud tarnekohta, siis selle tarne ajal tootele tekkinud vigastuse korvab IKEA.
- IKEA seadme esmapaigaldusega seotud kulud. Kui IKEA poolt nimetatud teenusepakkuja või tema volitatud hoolduspartner remondib või asendab seadme selle garantiiga tingimustel, siis nimetatud teenusepakkuja või tema volitatud hoolduspartner paigaldab vajadusel remonditud seadme tagasi või paigaldab asendusseadme.

Siseriiklike seaduste kohaldamine

IKEA garantii annab ostjale konkreetsed seaduslikud õigused, mis katavad või ületavad kõiki siseriiklike seaduslikke nõudeid. Need tingimused ei piira mingil viisil kliendi õigusi, mis on sätestatud siseriiklike õigusnormidega.

Garantii kehtivuspiirkond

Seadmetele, mis on ostetud ühest EL-riigist ja viiakse teise EL-riiki, tagatakse hooldusteenused uuel asukohamaal tavapäraselt kehtivate garantii raamtingimuste kohaselt. Garantii raamtingimuste kohane hooldusteenuste kohustus on vaid siis, kui seade vastab riigis kehtivatele nõuetele ja on paigaldatud kooskõlas:

- selle riigi tehniliste tingimustega, kus garantiinõue esitati;
- paigaldusjuhiste ja kasutusjuhendi ohutuseeskirjadega.

IKEA seadmete JÄRELHOOLDUS

Pöörduge kõhklematult meie poole, kui:

- soovite esitada selle garantii tagatud hooldusnõude;
- soovite lasta selgitada IKEA seadmete võimalusi.

Parima abi saamiseks lugege enne meie poole pöördumist hoolikalt läbi paigaldusjuhised ja/või kasutusjuhend.

Kuidas meie poole pöörduda, kui vajate meie abi



IKEA järelhoolduse klienditeeninduse keskus annab meie poole pöördumisel nõu telefoni teel, et tuvastada teie seadme põhilisi rikkeid. Kohaliku kaupluse telefoninumbri ja lahtiolekuajad saate IKEA kataloogist või veebisaidilt www.ikea.com.

Kiire teeninduse tagamiseks teatage alati seadme IKEA tootenumber (8-kohaline kood), mis on teie seadme tehasesildil.

HOIDKE OSTUKVIITUNG ALLES!

See tõendab teie ostu ja seda nõutakse garantiinõude korral. Lisaks on ostukviitungil IKEA kaupluse nimi ja iga teie ostetud seadme tootenumber (8-kohaline kood).

Kas vajate täiendavat abi?

Nende lisaküsimustega, mis ei ole seotud teie seadme järelhooldusega, pöörduge lähima IKEA kaupluse klienditeenindusosakonda. Enne ühenduse võtmist soovitame teil seadme juhendid hoolikalt läbi lugeda.

Saturs

Drošības informācija	202	Kopšana un tīrīšana.....	210
Drošības instrukcija	203	Problēmu novēršana	210
Izstrādājuma apraksts	205	Tehniskie dati.....	211
Indikatori.....	206	Energoefektivitāte	212
Ikdienas lietošana	207	Apkārtējās vides aizsardzība	212
Gatavošanas tabula	208	IKEA Garantija.....	213
Norādījumi par traukiem	208		

Drošības informācija

ⓘ Lai nodrošinātu iekārtas pareizu darbību un jūsu drošību, pirms uzstādīšanas un lietošanas rūpīgi izlasiet šo instrukciju. Uzglabājiet šo instrukciju iekārtas komplektācijā arī tad, ja vēlaties to pārdot vai pārvest. Lietotājiem ir jābūt informētiem par iekārtas darbību un drošības īpatnībām.

Pareiza lietošana

- Darbības laikā neatstājiet iekārtu bez uzraudzības.
- Iekārta ir paredzēta tikai lietošanai mājāsaimniecībā.
- Iekārta paredzēta tikai lietošanai telpās.
- Iekārtu nav iespējams izmantot kā darba vai uzglabāšanas virsmu.
- Nenovietojiet un neuzglabājiet iekārtā vai tās tuvumā viegli uzliesmojošus šķidrumus, vielas vai viegli kūstošus priekšmetus (piemēram, plastmasas plēves, plastmasas vai alumīnija priekšmetus).
- Piesargieties, pieslēdzot iekārtas tuvumā citas elektriskās ierīces. Nepieļaujiet elektrības vadu atrašanos zem iekārtas vai karstiem traukiem.
- Neveiciet iekārtas remontu patstāvīgi, lai nepieļautu traumas un iekārtas bojājumus. Vienmēr sazinieties ar tuvāko IKEA veikalu.

Bērnu un cilvēku ar ierobežotām spējām drošība

- Šo ierīci drīkst izmantot bērni vecumā no 8 gadiem, kā arī personas ar ierobežotām fiziskām, sensorām vai garīgām spējām vai bez pieredzes un zināšanām, ja tie tiek uzraudzīti vai ir saņēmuši norādījumus par

ierīces drošu lietošanu un saprot ietvertos riskus.

- Uzglabājiet iesaiņojumu bērniem nepieejamā vietā. Pastāv nosmakšanas risks.
- Sargiet bērnus no iekārtas, kad tā darbojas, kā arī laikā, kad tā ir izslēgta.
- Iekārtas tuvumā neatstājiet bez uzraudzības bērnus, kuri jaunāki par 8 gadiem.
- Neļaujiet bērniem rotaļāties ar ierīci. Bērni nedrīkst bez uzraudzības veikt iekārtas tīrīšanu un apkopi.

⚠ **BRĪDINĀJUMS!** Aktivizējiet bērnu bloķēšanu, lai izvairītos no gadījumiem, kad mazi bērni vai mājdzīvnieki nejauši ieslēdz ierīci.

Vispārējā drošība

- Neaizsedziet iekārtas ventilācijas atveres, novietojot to brīvi stāvošu vai iebūvējot to mēbelēs.
- Lai izvairītos no traumām, neaizskariet paneli, ja paliekošā siltuma indikators nav izslēdzies.
- Lai izvairītos no elektrotrieciena, neievietojiet indukcijas plīti nekādus priekšmetus tās darbības laikā.
- Lai izvairītos no nosmakšanas riska, neaptiniet vadu ap kaklu.
- Nav pieļaujama iekārtas tīrīšana ar tvaika tīrīšanas iekārtām.
- Uz plīti nedrīkst novietot metāliskus priekšmetus, piemēram, nažus, dakšiņas, karotes un vākus, jo tie var sakarst.
- Pēc lietošanas izslēdziet plīti ar šim nolūkam paredzēto pogu – nepaļaujieties uz virtuves trauku detektoru.

- Šī iekārta nav paredzēta darbam ar ārējo taimeru vai atsevišķām tālvadības sistēmām.
- Esiet piesardzīgs – nepieskarieties sildelementiem.
- Ja elektrības padeves vads ir bojāts, lai izvairītos no nelaimes gadījumiem, tas jānomaina ražotājam, pilnvarota servisa pārstāvim vai kvalificētam speciālistam. Lūdzu, sazinieties ar tuvāko IKEA veikalu.
- Šī ierīce ir paredzēta lietošanai mājās un līdzīgos apstākļos, piemēram:
 - personāla virtuves zonās veikalos, birojos un citās darba vidēs;
 - lauku mājās;
 - klientu vajadzībām viesnīcās, moteļos un citās dzīvojamās vidēs;
 - naktsmītnēs ar brokastīm.

⚠ UZMANĪBU: Lietošanas laikā virsmas var sakarst.

⚠ BRĪDINĀJUMS! Ja plīts virsma ir ieplaisājusi, izslēdziet iekārtu, lai izvairītos no elektrotrieciena riska. Lūdzu, sazinieties ar tuvāko IKEA veikalu.

⚠ BRĪDINĀJUMS! Darbības laikā iekārta un tās pieejamie elementi sakarst.

⚠ BRĪDINĀJUMS! Ja ēdiena gatavošanai uz plīts virsmas tiek izmantoti tauki vai eļļa, iekārtu nedrīkst atstāt bez uzraudzības, jo iespējama ugunsgrēka izcelšanās. **NEKĀDĀ GADĪJUMĀ** neizmantojiet ūdeni liesmu nodzēšanai; izslēdziet iekārtu un nosedziet liesmu, piemēram, ar vāku vai ugunsdrošu pārsegu.

Drošības instrukcija

Uzstādīšana

- Ražotājs neuzņemas atbildību par cilvēku un mājdzīvnieku gūtajam traumām vai īpašuma bojājumiem zemāk minēto prasību neievērošanas gadījumā.

⚠ UZMANĪBU! Pirms iekārtas uzstādīšanas iepazīstieties ar drošības informāciju.

⚠ BRĪDINĀJUMS! Iekārtai jābūt uzstādītai saskaņā ar atbilstošās valsts spēkā esošajiem likumiem, lēmumiem, direktīvām un standartiem (likumi un normatīvie akti elektriskās drošības jautājumos, iekārtas utilizācija saskaņā ar normatīvajiem aktiem utt.)!

- Neuzstādiet iekārtu līdzās durvīm vai zem loga, jo virtuves trauki var nejauši nokrist no plīts, durvīm vai logam atveroties.
- Pārliedzieties, vai iekārta nav bojāta transportēšanas laikā. Nepieslēdziet pie tīkla bojātu iekārtu.
- Neuzstādiet iekārtu, ja transportēšanas laikā tai radīti bojājumi.

- Nepieslēdziet plīti pie elektrības tīkla ar pagarinātāju palīdzību un nenovietojiet plīti ar vadu, pārstieptu pāri darba virsmai.
- Nemainiet izstrādājuma specifikācijas, neveiciet tā modifikāciju. Pastāv traumas un iekārtas bojājuma risks.

⚠ BRĪDINĀJUMS! Ievērojiet elektrības tīkla pieslēguma instrukcijas.

Elektriskie savienojumi

- Pirms pieslēguma pārbaudiet, vai iekārtas nominālais spriegums (tas norādīts uz datu plāksnes) atbilst jūsu elektrības tīkla spriegumam. Pārbaudiet arī ierīces maksimāli pieļaujamo jaudu un nodrošiniet mājokļa elektroinstalāciju piemērotību ierīces maksimāli pieļaujamajai jaudai (skatīt nodaļu Tehniskie dati).
- Tehnisko datu plāksne atrodas iekārtas apakšdaļā.

⚠ BRĪDINĀJUMS! Pastāv elektriskās strāvas triecienu risks.

- Nepiemērots spraudņa un kontaktligzdas saslēgums var novest pie termināļa pārkaršanas.

Pirms lietošanas:

Lūdzu, pirms lietošanas pievērsiet uzmanību zemāk minētajām instrukcijām.

- Lietojiet standarta elektrības tīkla kontaktligzdu un regulāri pārbaudiet tās stāvokli, lai novērstu iespējamus bojājumus.
- Neatveriet ierīci un neļaujiet to darīt nekvalificētām personām. Ierīces remontu drīkst veikt tikai servisa pārstāvis vai līdzīgi kvalificēts tehniķis.
- Pārbaudiet strāvas vadu un spraudni. Ja barošanas vads vai spraudnis ir bojāts, nelietojiet ierīci. Neatvienojiet spraudni no ligzdas ar mitrām rokām.
- Neizmantojiet pagarinātājus; lietojiet tikai elektrības tīkla kontaktligzdu.
- Ja ierīce ilgu laika periodu nav izmantota, vispirms ieslēdziet to un paturiet ieslēgtu 10 minūtes, lai stabilizētu elektronisko komponentu. Pēc tam varat sākt lietot ierīci.
- Nelietojiet ierīci ūdens, uguns vai mitras zonas tuvumā. Ierīce paredzēta lietošanai TIKAI māsasaimniecību telpās.
- Pirms pirmās lietošanas noņemiet no ierīces visu iepakojumu, uzlīmes un plēvi.
- Pēc katras lietošanas izslēdziet sildvirsmas ar vadības paneļa palīdzību – nepaļaujieties uz trauka detektoru.
- Pastāv apdeguma risks! Nenovietojiet uz sildvirsmas metāla priekšmetus, piemēram, nažus, dakšiņas, karotes un trauku vākus – tie var sakarst.

▲ BRĪDINĀJUMS! Pastāv ugunsgrēka risks! Sakarsētas taukvielas var ļoti ātri uzliesmot.

▲ BRĪDINĀJUMS! Cilvēkiem ar kardiostimulatora implantu ieteicams turēt ķermeņa augšdaļu vismaz 30 cm attālumā no indukcijas sildvirsmas, kad tā ir ieslēgta.

▲ BRĪDINĀJUMS! Nestrādājiet ar iekārtu, kad jums ir mitras rokas, saglabājiet sausu paneļa virsmu. Vadības paneļa pogas var nedarboties, ja uz tām izlijis liels daudzums ūdens.

▲ BRĪDINĀJUMS! Ja virsma ir ieplaisājusi, izslēdziet iekārtu, lai izvairītos no elektrotrieciena.

Lietošanas laikā un pēc lietošanas:

Lai novērstu uzliesmojumu un nelaimes gadījumus, pievērsiet uzmanību zemāk minētajiem norādījumiem.

- Novietojiet ierīci TIKAI uz līdzenas un cietas virsmas.
- Bērniem nepieciešama uzraudzība — nepieļaujiet rotaļāšanos ar šo ierīci.
- Ierīces darbības laikā nenovietojiet zemāk minētos priekšmetus uz paneļa.
 - a) Nerūsējošais tērauds
 - b) Dzelzs
 - c) Čuguns;
 - d) Alumīnijs;
 - e) Vāki un emaljēti trauki;
 - f) Nazis, dakšiņa vai karote;
 - g) Dzelzs, nerūsējošā tērauda, čuguna vai alumīnija izstrādājumi.
 - h) Tukši trauki
- Sildīšanas laikā nenesiet un nepārvietojiet ierīci ar traukiem uz tās.
- Nodrošiniet pietiekamu ventilāciju darbības laikā.
- Neievietojiet ierīces gaisa ieplūdes atverē vai izplūdes atverē vadus vai metāla priekšmetus.
- Darbs ar paneli.
 - a) Nenometiet uz paneļa smagus priekšmetus.
 - b) Neizlejiet uz paneļa ūdeni, skābes vai jebkādus citus šķidrumus.
 - c) Neaizdedziniet neko uz paneļa.
 - d) Nenovietojiet karstus traukus uz ierīces, kad tā netiek lietota.
 - e) Ja uz virsmas (paneļa) ir plaisas, nekavējoties izslēdziet ierīci, lai izvairītos no elektrotrieciena, un vērsieties tuvākajā IKEA veikalā.
 - f) Daži virtuves trauki darbības laikā var radīt troksni. Nedaudz pārvietojiet trauku – iespējams, troksnis mazināsies vai pazudīs. Ja troksnis nezūd, nomainiet trauku.

- Nenovietojiet ierīci uz paklāja, auduma vai papīra materiāla, kad tā darbojas.
- Neaizskariet paneli, kad tas ir sakarsis. Kad iekārta ir izslēgta, panelis ir silts, līdz izslēdzas paliekošā siltuma indikators.
- Neatvienojiet ierīci no barošanas avota, raujot kabeli.
- Izslēdziet ierīci un ļaujiet tai atdzist, pirms atvienojat no barošanas avota. Ja ierīce netiks lietota ilgu laika periodu, atvienojiet to no barošanas avota.
- Pēc lietošanas noņemiet traukus no ierīces.
- Neļaujiet šķidrumam katliņā vai pannā iztvaikot pilnībā, lai izvairītos no trauka un stikla keramikas bojājumiem.
- Nelietojiet sildvirsmu bez traukiem, neatstājiet uz karstas virsmas tukšus traukus.
- Neaptiniet iekārtu un tās elementus ar alumīnija foliju. Nenovietojiet uz iekārtas plastmasas priekšmetus vai citus kūstošus materiālus.

⚠ BRĪDINĀJUMS! Pēc lietošanas atstājiet iekārtu pieslēgtu pie elektrības tīkla, līdz izslēdzas ventilators un siltuma indikators.

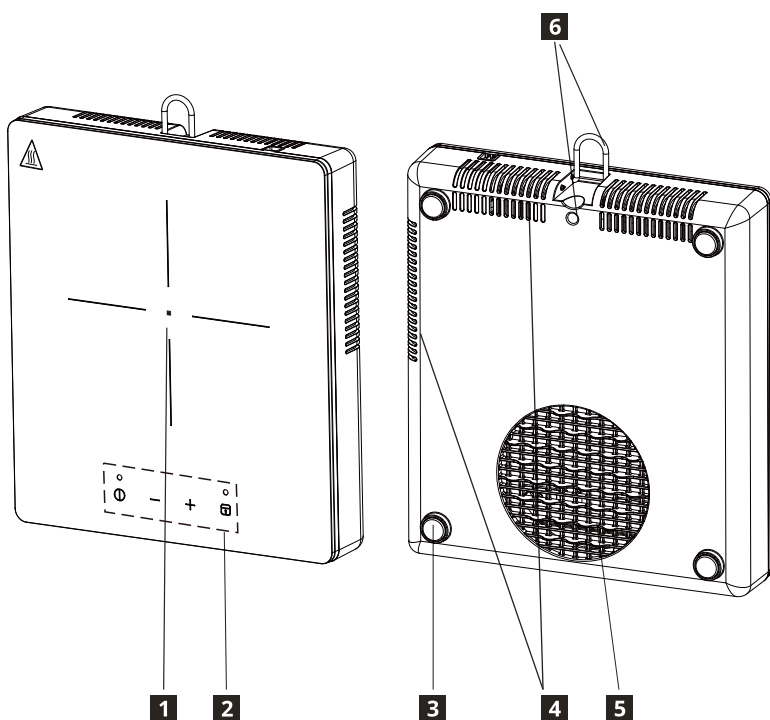
Kā izvairīties no iekārtas bojājumiem

- Stikla keramikas bojājumi iespējami, ja uz tās uzkrīt priekšmets, vai piesitot pie tās trauku.
- Čuguna, lieta alumīnija trauki, kā arī trauki ar bojātu apakšdaļu, tos bīdot, var saskrāpēt stikla keramiku.
- Stikla keramika var saplīst, iekārtai nokrītot uz grīdas.

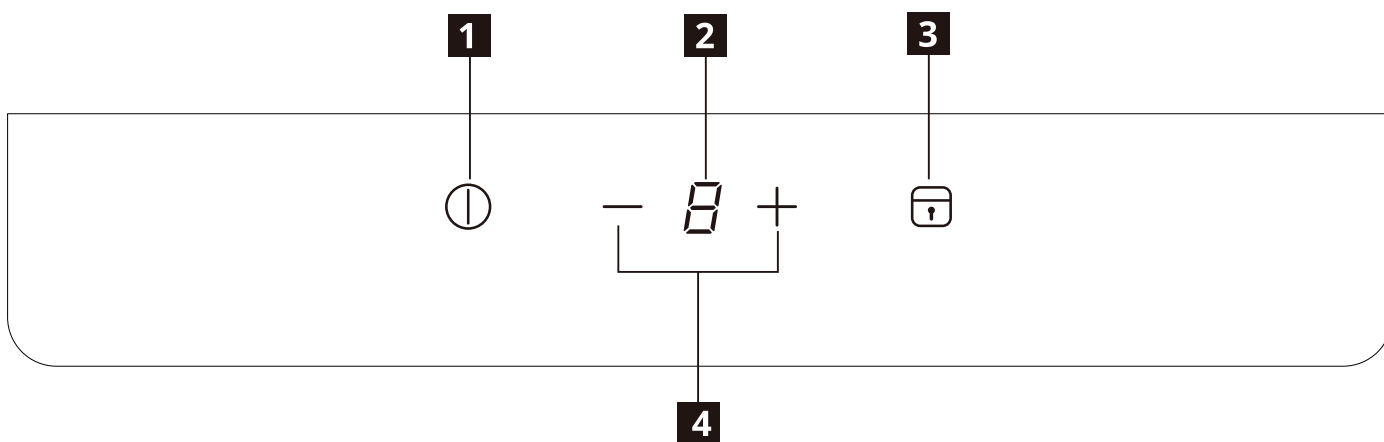
Informācija par akrilamīdiem

Svarīgi! Saskaņā ar jaunākajiem zinātnes atzinumiem pārtikas (īpaši cieti saturošu produktu) intensīva brūnināšana var radīt risku veselībai akrilamīdu satura rezultātā. Tādēļ mēs iesakām gatavot ēdienu pēc iespējas zemākā temperatūrā un to pārlietu neapbrūnināt.

Izstrādājuma apraksts



- 1** Sildvirsmā
Gatavošanas zona 170 mm,
2000 W
- 2** Vadības panelis
- 3** Silikona balsti
- 4** Gaisa izplūdes atvere
- 5** Gaisa ieplūdes atvere
- 6** Āķis



Vadības paneļa izkārtojums

- 1** Ieslēgt/Izslēgt
- 2** Jaudas līmeņa displejs
- 3** Bloķēšana/ Bērnu bloķēšana
- 4** Jaudas līmeņa iestatīšana +/-

Skārienjutīgo vadības sensoru zonas un displeji

Jūs darbināt plīti, aizskarot skārienjutīgo sensoru zonas. Displeji un skaņas signāli (īsi pīkstieni) apstiprina funkcijas izvēli.

Jaudas līmenis	1	2	3	4	5	6	7	8	9
Jauda	150 W	250 W	300 W	450 W	600 W	800 W	1100 W	1500 W	2000 W

Indikatori

U Nav katla vai tas nav novietots pareizi

Šis simbols parādās, ja katls nav piemērots indukcijas plītij, nav novietots pareizi vai tā izmērs neatbilst atlasītajai gatavošanas zonai. Ja katls netiek konstatēts 30 sekunžu laikā pēc atlasīšanas, gatavošanas zona izslēdzas.

H Paliekošais siltums

Ja displejā redzams simbols "H", gatavošanas zona joprojām ir karsta. Kad gatavošanas zona ir atdzisusi, displejs izslēdzas.

⚠ BRĪDINĀJUMS! Karsta sildvirsmas rada apdeguma risku! Pēc iekārtas izslēgšanas sildvirsmu atdzišanai nepieciešams zināms laiks. Sk. paliekošā siltuma indikatoru **H**.

Paliekošo siltumu jūs varat izmantot kausēšanai un ēdiena temperatūras saglabāšanai. Neatvienojiet iekārtu no elektrības tīkla, pirms displejā nav izdzisis **H**.

Ikdienas lietošana

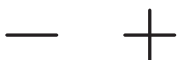


Pieslēgšana pie kontaktligzdas

1. Pēc iekārtas pieslēgšanas pie elektrības tīkla ieslēdzas bērnu drošības iekārta. Nospiediet un 3 sekundes turiet nospieštu Bērnu drošības pogu, lai atslēgtu funkciju.

Ieslēgt/Izslēgt

1. Nospiediet IESLĒGT/IZSLĒGT pogu. Ekrānā parādīsies "0" – iekārta strādā gaidstāves režīmā. Iedegsies jaudas indikators. Ja 30 sekunžu laikā sildīšanas iestatījums nav atlasīts, plīts automātiski ieslēdzas, nenospiežot IESLĒGT/IZSLĒGT pogu.
2. Nospiežot IESLĒGT/IZSLĒGT pogu darbības laikā, plīts tiks izslēgta.



Jaudas līmeņa iestatīšana

1. Nospiediet — vai +, lai ierīces darbības laikā regulētu jaudas līmeni.
2. Nospiežot —, jaudas līmenis palielināsies līdz "9". Nospiežot —, jaudas līmenis samazināsies no "9" līdz "1".
3. Nospiežot +, jaudas līmenis palielināsies no "1". Nospiežot +, jaudas līmenis pieaugs no "1" līdz "9".



Bloķēšanas funkcija

Kad gatavošanas zona darbojas, vadības paneli var bloķēt, piemēram, lai notīrītu plīti. Tas novērš iespēju nejauši mainīt jaudas līmeņa iestatījumu. Plīti joprojām var izslēgt ar ieslēgšanas/ Izslēgšanas pogu.

Bloķēšanas aktivizēšana

1. Iestatiet vēlamu jaudas līmeni.
2. Nospiediet un trīs sekundes turiet bloķēšanas pogu. Funkcija ir aktivizēta, kad iedegas bloķēšanas pogas indikators un atskan signāls.

Bloķēšanas deaktivizēšana

1. Nospiediet un trīs sekundes turiet bloķēšanas pogu. Funkcija ir deaktivizēta, kad izdziest bloķēšanas pogas indikators un atskan signāls.
2. Jaudas līmenis atgriezīsies iepriekšējā iestatījumā.

Bērnu bloķēšanas funkcija

Vadības paneli iespējams bloķēt arī laikā, kad plīts nedarbojas. Šī funkcija nepieļauj nejaušas darbības ar iekārta.

Bērnu bloķēšanas aktivizēšana

1. Ar IESLĒGT/IZSLĒGT pogas palīdzību ieslēdziet iekārta. Neiestatiet nekādu jaudas līmeni.
2. Nospiediet un trīs sekundes turiet bloķēšanas pogu. Funkcija ir aktivizēta, kad iedegas bloķēšanas pogas indikators un atskan signāls.
3. Ar IESLĒGT/IZSLĒGT pogas palīdzību izslēdziet iekārta.

Bērnu bloķēšanas deaktivizēšana

1. Nospiediet un trīs sekundes turiet bloķēšanas pogu. Funkcija ir deaktivizēta, kad izdziest bloķēšanas pogas indikators un atskan signāls.

Automātiska izslēgšanās

Funkcija automātiski izslēdz plīti šādos gadījumos:

- Visas gatavošanas zonas ir izslēgtas;
- JŪS neesat iestatījis jaudas līmeni 30 sekunžu laikā pēc plīts ieslēgšanas;
- JŪS neesat izslēdzis gatavošanas zonu vai neesat mainījis jaudas līmeni divas stundas, vai notikusi pārkaršana (piem., no pannas izgarojis šķidrums).

Gatavošanas tabula

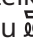
Karstuma iestatījums	Izmantošanas nolūks:	Laiks (min.)	Padomi
1	• Uzturiet ēdienu siltu.	pēc nepieciešamības	Uzlieciet gatavošanas traukam vāku.
1-2	• Pagatavojiet Holandes mērci, kausējiet sviestu, šokolādi, želatīnu.	5-25	Laiku pa laikam apmaisiet.
2-3	• Lēni vāriet rīsus un ēdienus uz piena bāzes, uzsildiet gatavus ēdienus.	25-50	Pievienojiet vismaz divreiz vairāk šķidruma nekā rīsi un procesa laikā maisiet piena ēdienus.
4-5	• Tvaicējiet dārzeņus, zivis, gaļu, kartupeļus.	20-45	Pievienojiet nedaudz ūdens.
	• Gatavojiet lielākus daudzumus ēdiena un sautējumus.	60-150	Pievienojiet nedaudz ūdens.
5-6	• Lēni gatavojiet teļa gaļu "cordon bleu", kotletes, gaļas bumbiņas, desas, mērci, olas.	pēc nepieciešamības	Cepiet no abām pusēm.
7-8	• Cepiet kartupeļu pankūkas, steikus.	5-15	Cepiet no abām pusēm.
9	• Vāriet ūdeni, gatavojiet pastas ēdienus, apcepiet gaļu (gulašu, sutinātu gaļu), vāriet kartupeļu salmiņus eļļā.		

Norādījumi par traukiem

Kādus katlus izmantot

Izmantojiet tikai tādus katlus un pannas, kuru pamatne izgatavota no feromagnētiska materiāla, kas ir piemērots indukcijas plītīm:

- čuguns;
- emaljēts tērauds;
- oglekļa tērauds;
- nerūsējošais tērauds (tomēr ne visi);
- alumīnijs ar feromagnētiska materiāla pārklājumu vai feromagnētiska materiāla plātni.

Lai noteiktu katla vai pannas piemērotību, meklējiet simbolu  (parasti marķēts uz pamatnes). Varat arī pielikt magnētu pie pamatnes. Ja tas pieķeras pie pamatnes, trauks darbosies uz indukcijas plīts.

Lai nodrošinātu optimālu efektivitāti, vienmēr izmantojiet katlus un pannas ar līdzenu pamatni, kas vienmērīgi izplata siltumu. Ja pamatne nav līdzena, tas ietekmēs jaudu un siltumvadītspēju.

Kā lietot

Katla/pannas pamatnes minimālais diametrs dažādām gatavošanas zonām

Lai nodrošinātu pareizu plīts funkcionēšanu, katlam ir jānosedz viens vai vairāki atsauces punkti, kas norādīti uz plīts virsmas, un tam jābūt ar piemērotu minimālo diametru.

Vienmēr izmantojiet gatavošanas zonu, kas vislabāk atbilst pannas pamatnes diametram.

Gatavošanas zona	Ieteicamais trauka diametrs [mm]
Vidējā gatavošanas zona aizmugures daļā	120-180

Katli/pannas, kas ir tukši vai ar plānu pamatni

Neizmantojiet uz plīts katlus/pannas, kas ir tukši vai ar plānu pamatni, jo plīts nespēs uzraudzīt temperatūru vai automātiski izslēgties pārāk augstas temperatūras gadījumā, bojājot katlu/pannu vai plīts virsmu. Ja tas notiek, nekam nepieskarieties un gaidiet, līdz visi komponenti ir atdzisuši.

Ja parādās kļūdas ziņojums, skatiet nodaļu "Problēmu novēršana".

Ieteikumi/padomi**Troksnis gatavošanas laikā**

Kad gatavošanas zona ir aktīva, uz brīdi var būt dzirdama dūkoņa. Tas ir raksturīgi visām keramikas stikla gatavošanas zonām, un tas neietekmē ierīces funkcionēšanu vai darbību. Troksnis ir atkarīgs no izmantotajiem traukiem. Ja tas rada ievērojamus traucējumus, apsveriet trauku nomaiņu.

Normāli indukcijas plīts darbības trokšņi

Indukcijas tehnoloģija ir balstīta uz elektromagnētisko lauku veidošanu, lai radītu karstumu tieši uz gatavošanas trauka pamatnes. Katli un pannas var radīt dažādus trokšņus vai vibrācijas atkarībā no tā, kā tie ir izgatavoti.

Šie trokšņi tiek aprakstīti šādi:

Zema dūkoņa (kā transformators)

Šis troksnis rodas, gatavojot lielā karstumā. To rada enerģijas daudzums, kas tiek pārnestas no plīts virsmas uz trauku.

Troksnis mazinās vai izzūd, kad karstuma līmenis tiek pazemināts.

Klusa svilpšana

Šis troksnis rodas, kad gatavošanas trauks ir tukšs. Tas beidzas, tiklīdz traukā tiek ieliets šķidrums vai ievietota pārtika.

Sprakšķēšana

Šis troksnis tiek radīts, novietojot dažādu materiālu gatavošanas traukus vienu uz otra.

To rada vibrācijas, saskaroties dažādu materiālu virsmām. Troksnis rodas uz gatavošanas traukiem un var atšķirties atkarībā no ēdiena vai šķidrums daudzuma un gatavošanas metodes (piem., vārīšanas, lēnas vārīšanas, cepšanas).

Skaļa svilpšana

Šis troksnis rodas, novietojot dažādu materiālu gatavošanas traukus vienu uz otra, izmantojot tos papildus ar maksimālo jaudu un arī uz divām gatavošanas zonām. Troksnis mazinās vai izzūd, kad karstuma līmenis tiek pazemināts.

Šie trokšņi ir normāla parādība Ventilatora trokšņi

Lai elektroniskā sistēma pareizi darbotos, nepieciešams regulēt plīts virsmas temperatūru. Šim nolūkam plīts virsma ir aprīkota ar dzesēšanas ventilatoru, kas tiek aktivizēts, lai samazinātu un regulētu elektroniskās sistēmas temperatūru. Ventilators var turpināt darboties arī pēc ierīces izslēgšanas, ja plīts virsmas temperatūra joprojām ir pārāk augsta.

Ritmiskas skaņas, līdzīgi pulksteņa tikšķēšanai

Šis troksnis rodas tikai tad, kad tiek izmantotas vismaz trīs gatavošanas zonas, un pazūd vai samazinās, kad kāda no tām tiek izslēgta.

Aprakstītie trokšņi ir indukcijas tehnoloģijas normāls elements, un tie nav uzskatāmi par defektiem.

Kopšana un tīrīšana

⚠ BRĪDINĀJUMS! Pirms atvienojat iekārtu no elektrības tīkla, izslēdziet to un ļaujiet atdzist.

⚠ BRĪDINĀJUMS! Pirms iekārtas tīrīšanas izslēdziet to un ļaujiet atdzist.

⚠ BRĪDINĀJUMS! Drošības apsvērumu dēļ nelietojiet iekārtas tīrīšanai smilšstrūklas aparātus un augstspiediena iekārtas.





⚠ BRĪDINĀJUMS! Asi priekšmeti un abrazīvi tīrīšanas līdzekļi sabojās iekārtu. Pēc katras lietošanas notīriet iekārtu un noslaukiet ēdiena atliekas ar ūdeni un līdzekli trauku mazgāšanai. Noslaukiet arī tīrīšanas līdzekli!

ⓘ Stikla keramikas skrāpējumi vai tumši plankumi, no kā nav iespējams atbrīvoties, neietekmē iekārtas darbību.

Ēdienu atlieku un grūti noņemamu traipu tīrīšana:

- Ēdiena atliekas, kas satur cukuru, plastmasa un folijas atliekas ir jānotīra nekavējoties. Šim nolūkam piemērotākais instruments ir skrāpis (nav iekļauts iekārtas komplektā). Viegli piespiediet skrāpi lenķī pie stikla keramikas virsmas un notīriet netīrumus, slidinot asmeni pāri virsmai. Noslaukiet iekārtu ar mitru lupatiņu un nelielu trauku mazgājamā līdzekļa daudzumu. Noslēgumā noslaukiet iekārtu ar sausu, tīru lupatiņu.
- Kaļķakmens loki, ūdens loki, tauku šļakatas, izbalējušie plankumi ir jānotīra pēc tam, kad iekārta ir atdzisusi. Šim nolūkam izmantojiet stikla keramikai vai nerūsējošajam tēraudam paredzēto līdzekli.

Problēmu novēršana

Problēma	Iespējamais iemesls	Risinājums
Ierīce nedarbojas.	Elektrības trūkums vai īssavienojums jūsu mājās.	
	Nepareizs pieslēgums pie elektrības tīkla.	Pārbaudiet plīts elektrības vada pieslēgumu.
	Kopš brīža, kad iekārta ir ieslēgta, pagājušas vairāk nekā 10 sekundes.	Atkārtoti ieslēdziet iekārtu.
	Bērnu bloķēšana ir ieslēgta.	Deaktivizējiet Bērnu bloķēšanu. (Skatiet nodaļu "Bērnu drošības ierīce").
Ierīce pārtrauc darboties. Kļūdas rādījums:  → 	Vienlaikus skartas vairākas skārienjutīgās zonas.	Aizskariet tikai vienu sensora zonu.
	Šis trauks nav piemērots indukcijas plītij.	Nomainiet to pret indukcijas plītij piemērotu trauku.
Ierīce pārtrauc darboties. Kļūdas rādījums:  → 	Uz gatavošanas zonas nav novietots trauks vai trauka diametrs ir mazāks nekā 120 mm.	Novietojiet katlu sildvirsmas zonā.
	Katls ir tukšs (šķidrums ir izgarojis) vai gatavošanas temperatūra ir pārāk augsta.	Izslēdziet ierīci un restartējiet pēc 5 minūtēm. Ja E2 turpina pastāvēt, vērsieties tuvākajā IKEA veikalā.
	Bloķētas gaisa ieplūdes un izplūdes atveres.	
Ierīce pārtrauc darboties. Kļūdas rādījums:  → 	Apkārtējā temperatūra ir pārāk augsta.	
	Spriegums maiņstrāvas tīklā pārsniedz 275 V.	Pieslēdziet iekārtu pie tai piemērota elektrības tīkla.
Ierīce pārtrauc darboties. Kļūdas rādījums:  → 	Spriegums maiņstrāvas tīklā ir zemāks nekā 100 V.	Pieslēdziet iekārtu pie tai piemērota elektrības tīkla.

ierīce pārtrauc darboties. Kļūdas rādījums: E → 5	ierīces temperatūras sensors nedarbojas.	Lūdzu, sazinieties ar tuvāko IKEA veikalu.
ierīce pārtrauc darboties. Kļūdas rādījums: E → 6		
ierīce pārtrauc darboties. Kļūdas rādījums: E → 0	iekšēja ārkārtas situācija	Izslēdziet ierīci un restartējiet pēc 5 minūtēm. Ja EO joprojām ir, vērsieties tuvākajā IKEA veikalā.

Kļūdas kods parādās, kad plīts ir ieslēgta un tiek konstatēta kļūda. E un skaitļi tiek rādīti ar pārtraukumiem (1 sekundi) uz maiņām.

Kļūmes gadījumā mēģiniet to atrisināt, ievērojot problēmu novēršanas vadlīnijas. Ja problēmu nevar atrisināt, vērsieties tuvākajā IKEA veikalā.

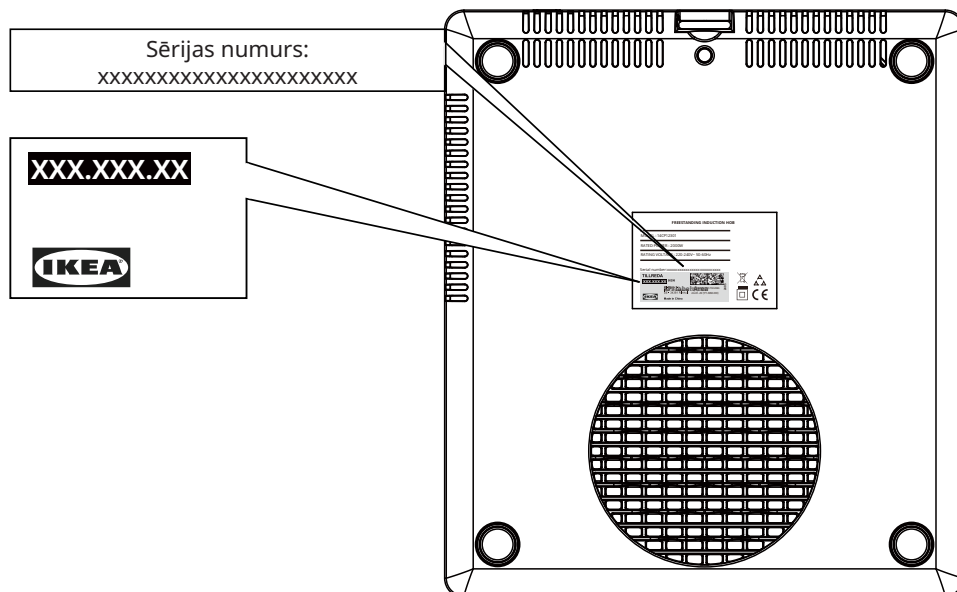
i Ja iekārtas ekspluatācija nav bijusi atbilstoša, dīlerim ir tiesības neveikt bezmaksas apmaiņu, arī garantijas perioda ietvaros.

Tehniskie dati

Modelis	14CP12301
Plīts veids	Brīvi stāvoša indukcijas plīts
Gatavošanas zonu un/vai apgabalu skaits	1
Nominālā jauda	2000 W
Nominālais spriegums	220-240 V~
Nominālā frekvence	50-60 Hz
Dziļums	305 mm
Platums	270 mm
Augstums	62 mm
Neto svars	2,33 kg

Sērijas numurs (sākas ar SN, 22 ciparu kods)

Preces numurs (8 ciparu kods)




Attēls tikai atsaucei

Energoefektivitāte

Modeļa identifikācija	14CP12301
Plīts veids	Pārnēsājama ierīce
Gatavošanas zonu skaits	1
Sildīšanas tehnoloģija	Indukcija
Apaļo gatavošanas zonu diametrs (Ø)	170 mm
Enerģijas patēriņš katrai gatavošanas zonai (elektriskās ierīces ēdiena gatavošanai)	184 Wh/kg
Plīts enerģijas patēriņš (elektriskā plītsvirsmā)	184 Wh/kg
Informācija par izstrādājuma elektroenerģijas patēriņu un laiku, lai sasniegtu piemērojamo zema enerģijas patēriņa režīmu	izslēgts režīms: 0,5 W
Maksimālais laiks, kas nepieciešams, lai sasniegtu piemērojamo zema enerģijas patēriņa režīmu	5 sekundes
Direktīva 2009/125/EK, KOMISIJAS REGULA (ES) Nr. 66/2014, EN 60350-2:2018+A1:2021.	

Apkārtējās vides aizsardzība

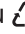
Sadzīves tehnikas utilizācija

Simbols  uz izstrādājuma vai tā iesaiņojuma norāda, ka šo izstrādājumu aizliegts nedrīkst utilizēt kopā ar sadzīves atkritumiem. Tas jānogādā atbilstošā savākšanas punktā elektrisko un elektronisko elementu utilizācijai. Nodrošinot šī izstrādājuma pareizu utilizāciju, jūs palīdzēsiet novērst iespējamo negatīvo ietekmi uz apkārtējo vidi un cilvēka veselību, kas varētu rasties izstrādājuma nepiemērotas utilizācijas gadījumā. Sīkāka informācija par šī izstrādājuma utilizāciju pieejama jūsu pašvaldībā, atkritumu utilizācijas dienestā vai veikalā, kurā iegādājāties šo precī.

▲ BRĪDINĀJUMS! Pirms iekārtas utilizācijas veiciet šādas darbības:

- Atvienojiet iekārtu no elektrības tīkla.
- Nogrieziet iekārtas strāvas vadu un izmetiet to.

Iepakojuma utilizācija

Ar simbolu  apzīmētos materiālus iespējams pārstrādāt.

Utilizējiet iesaiņojumu atbilstošā atkritumu tvertnē turpmākai pārstrādei.

Enerģijas ekonomija

- Iespēju robežās centieties likt vāku uz katla.
- Novietojiet trauku gatavošanas zonā, pirms ieslēdzat to.
- Virtuves trauka dibenam ir jābūt pēc iespējas biezākam un plakanam.

IKEA Garantija

Cik ilgi IKEA garantija ir spēkā?

Šī garantija ir spēkā 2 gadus no datuma, kad sākotnēji iegādājāties ierīci no IKEA, ja vien valsts tiesību aktos nav noteikts citādi. Lūdzu, dodieties uz IKEA.com, lai noskaidrotu, kādi noteikumi ir piemērojami jūsu valstī.

Pirkuma apliecināšanai nepieciešams čeka oriģināls. Ja garantijas periodā veikts ierīces serviss, garantijas periods netiek pagarināts.

Kas veic iekārtas servisu?

Sazinieties ar tuvāko IKEA veikalu.

Uz ko attiecas garantija?

Garantija attiecas uz iekārtas disfunkcijām ražotāja kļūdas vai materiālu defekta rezultātā. Tā stājas spēkā no izstrādājuma iegādes dienas IKEA.

Šī garantija attiecas tikai uz mājāsaimniecībā lietotām iekārtām.

Izņēmumi ir norādīti nodaļā "Uz ko šī garantija neattiecas?" Garantijas periodā tiek segti defekta novēršanas izdevumi, piemēram, remonts, rezerves daļas, darbs un ceļa izdevumi, ar nosacījumu, ka ierīce ir pieejama remontam bez īpašiem izdevumiem. Nomainītās detaļas pāriet IKEA īpašumā.

Kāda ir IKEA rīcība problēmas atrisināšanai?

IKEA pārbaudīs izstrādājumu un izlems, vai uz to ir attiecināma garantija. Ja lēmums tiek pieņemts par to, ka garantija uz konkrēto gadījumu ir attiecināma, IKEA pieņem lēmumu par iekārtas remontu vai nomaiņu pret tādu pašu vai līdzīgu izstrādājumu.

Uz ko šī garantija neattiecas?

- Parasts nolietojums.
- Bojājumi, kas nodarīti tīši vai radušies nevērīgas apiešanās rezultātā, ekspluatācijas instrukcijas neievērošanas, nepareizas uzstādīšanas rezultātā vai pieslēdzot iekārtu pie tīkla ar neatbilstošu spriegumu, ķīmiskas vai elektroķīmiskas reakcijas, rūsas, korozijas vai ūdens ietekmē radīti bojājumi, ieskaitot, taču neaprobežojoties ar bojājumiem, kas radušies paaugstināta kaļķakmens satura rezultātā ūdenī, un bojājumiem neatbilstošas apkārtējās vides ietekmes rezultātā.
- Nomaināmās detaļas, ieskaitot baterijas un lampiņas.

- Funkcijas neietekmējoši un dekoratīvi elementi, kas neietekmē ierīces normālu lietošanu, tostarp skrāpējumi un iespējama krāsas maiņa.
- Nejaušs bojājums, ko radījuši svešķermeņi vai vielas un filtru, drenāžas sistēmu vai mazgājamā līdzekļa tvertņu tīrīšana vai atbloķēšana.
- Šādu elementu bojājums: stikla keramika, piederumi, trauki un galda piederumu statīvi, ūdensvada padeves un kanalizācijas caurules, plombas, lampiņas un to pārsegi, ekrāni, pogas, apdare un tās elementi. Izņemot gadījumu, ja iespējams pierādīt, ka šie bojājumi radušies ražošanas defekta rezultātā.
- Remonts, ko nav veikuši mūsu pilnvarotie servisa nodrošinātāji un/vai pilnvarotā servisa tiesiskais partneris, kā arī gadījumi, ja nav lietotas oriģinālās detaļas.
- Nepareizas vai specifiskajai neatbilstošas uzstādīšanas rezultātā radies bojājums.
- Iekārtas profesionāla lietošana, t.i., iekārta nav lietota mājāsaimniecībā.
- Transportēšanas rezultātā radušies bojājumi. IKEA nenes atbildību par bojājumiem, kas radušies transportēšanas rezultātā – laikā, kad klients nogādā izstrādājumu mājās vai jebkurā citā vietā. IKEA sedz zaudējumus, kas radušies izstrādājuma transportēšanas rezultātā, ja izstrādājumu klienta norādītajā vietā piegādā IKEA.
- IKEA iekārtas sākotnējās uzstādīšanas izmaksas. Tomēr, ja IKEA norīkots servisa nodrošinātājs vai tā pilnvarots servisa partneris labo vai nomaina ierīci saskaņā ar šīs garantijas noteikumiem, servisa nodrošinātājs vai tā pilnvarotais servisa partneris nepieciešamības gadījumā uzstādīs salaboto vai nomainīto ierīci.

Valsts likumdošanas spēkā esamība

IKEA garantija piešķir jums noteiktas likumīgās tiesības, kuras atbilst vietējo tiesību aktu prasībām vai pārsniedz tās. Taču šie noteikumi nekādā veidā neierobežo vietējā likumdošanā norādītās klienta tiesības.

Darbības teritorija

Vienā ES valstī iegādātām un uz citu ES valsti aizvestām iekārtām tiek nodrošināti pakalpojumi piegādes valstī spēkā esošo garantijas noteikumu ietvaros. Saistības nodrošināt pakalpojumus garantijas ietvaros ir spēkā tikai, ja ierīce atbilst un ir uzstādīta saskaņā ar šādām prasībām:

- tehniskās specifikācijas valstī, kurā pieteikta garantijas prasība;
- uzstādīšanas instrukcijā un lietotāja rokasgrāmatā iekļautā drošības informācija.

IKEA iekārtu apkalpošana

Lūdzu, sazinieties ar IKEA, ja vēlaties:

- pieprasīt pakalpojumus garantijas ietvaros;
- precizēt IKEA iekārtu funkcijas.

Lūdzu, rūpīgi iepazīstieties ar montāžas instrukcijām un/vai ekspluatācijas instrukciju, pirms sazināties ar mums – šādā gadījumā mēs varēsim sniegt kvalitatīvus pakalpojumus.

Kā sazināties, ja nepieciešami mūsu pakalpojumi



Piezvanot IKEA klientu apkalpošanas centram, tā speciālisti palīdzēs jums atrisināt pamata problēmas, kas radušās darbā ar iekārtu. Vietējā veikala telefona numurs un darba laiks norādīts IKEA katalogā un mājas lapā www.ikea.com.

Vienmēr nosauciet IKEA preces kodu (astoņu ciparu kods), kas norādīts uz iekārtas datu plāksnes – šajā gadījumā mēs varēsim saīsināt servisa sniegšanai nepieciešamo laiku.

SAGLABĀJIET PIRKUMA ČEKU!

Tas ir jūsu pirkuma apliecinājums, un tas ir nepieciešams garantijas pakalpojumu saņemšanai. Pirkuma čekā norādīts arī IKEA nosaukums un visu jūsu iegādāto preču kodi (astoņu ciparu kods).

Vai jums nepieciešama papildu palīdzība?

Ja vēlaties uzdot papildu jautājumus, kas neattiecas uz apkalpošanu pēc iegādes, sazinieties ar tuvākā IKEA veikala zvanu centru. Pirms sazināties ar mums, iesakām rūpīgi izlasīt ierīces dokumentāciju.

Turinys

Saugos informacija	215	Priežiūra ir valymas	223
Saugos instrukcijos	216	Trikčių šalinimas.....	223
Gaminio aprašymas.....	218	Techniniai duomenys.....	224
Indikatoriai.....	219	Energijos efektyvumas	225
Kasdienis naudojimas	220	Aplinkosaugos klausimai	225
Maisto gaminimo lentelė.....	221	IKEA garantija	226
Gaminimo indų naudojimas.....	221		

Saugos informacija

ⓘ Siekdami užtikrinti savo saugumą ir tinkamą prietaiso veikimą, prieš jį montuodami ir naudodami, atidžiai perskaitykite šį vartotojo vadovą. Šias instrukcijas visada laikykite kartu su įrenginiu, net jei pervežate jį arba parduodate. Vartotojas turi žinoti viską apie šio prietaiso veikimą ir apsaugines funkcijas.

Tinkamas naudojimas

- Nepalikite veikiančio prietaiso be priežiūros.
- Prietaisas skirtas naudoti tik buityje.
- Prietaisas skirtas naudoti tik patalpoje.
- Įrenginio negalima naudoti kaip darbinio arba daiktams laikyti skirto paviršiaus.
- Prietaise arba šalia jo nedėkite arba nelaikykite degių skysčių, greitai užsidegančių medžiagų arba tirpių daiktų (pvz., plastikinių plėvelių, plastiko, aliuminio).
- Elektrinius prietaisus atsargiai junkite į šalia esančius elektros lizdus. Žiūrėkite, kad jungiamieji laidai nesiliestų su prietaisu arba nepatektų po juo, arba nesiliestų su karštais virtuvės reikmenimis.
- Netaisykite patys, kad nesusižeistumėte ir nesugadintumėte prietaiso. Visada susisiekite su savo artimiausia IKEA parduotuve.

Vaikų ir pažeidžiamų žmonių sauga

- Vyresni nei 8 metų vaikai ir asmenys, kurių fiziniai, jutimo arba protiniai gebėjimai riboti, arba kuriems trūksta patirties ir žinių, šį prietaisą gali naudoti tik tuomet, jei jie prižiūrimi arba jiems buvo suteikti nurodymai, kaip saugiai naudoti prietaisą,

ir jei jie supranta su prietaiso naudojimu susijusius pavojus.

- Visą pakuotę laikykite vaikams nepasiekiamoje vietoje. Pavojus uždusti.
- Neleiskite vaikų prie veikiančio prietaiso, taip pat kai šio nenaudojate.
- Saugokite nuo vaikų, jaunesnių nei 8 metų amžiaus, nebent jie yra nuolat prižiūrimi.
- Neleiskite vaikams žaisti su prietaisu. Neprižiūrimiems vaikams draudžiama valyti ir prižiūrėti įrenginį.

⚠ **ĮSPĖJIMAS!** Įjunkite vaikų saugos užraktą, kad maži vaikai ir naminiai gyvūnėliai netyčia neįjungtų įrenginio.

Bendroji sauga

- Ventilacijos angos prietaiso korpuse arba įmontavimo konstrukcijoje turi būti neuždengtos.
- Nelieskite plokštės tol, kol dar dega liekamojo karščio indikatorius, kad nesusižeistumėte.
- Prietaisui veikiant, neikiškite jokių daiktų į indukcinę kaitvietę, kad nesukeltumėte elektros smūgio.
- Laido neapsukite aplink kaklą, kad nepasismaugtumėte.
- Negalima naudoti garinio valiklio prietaisui valyti.
- Negalima ant kaitlentės paviršiaus dėti metalinių daiktų, tokių kaip peiliai, šakutės ar dangteliai, nes jie gali įkaisti.
- Baigę naudotis, išjunkite kaitlentę naudodamiesi jos valdikliais ir nepasikliaukite prikaistuvio detektoriumi.
- Šis prietaisas nepritaikytas naudoti su išoriniu laikmačiu arba atskira nuotolinio valdymo sistema.

- Norint išvengti prisilietimo prie kaitinimo elementų, reikia imtis atsargumo priemonių.
- Jei maitinimo laidas pažeistas, jį gali pakeisti tik gamintojas, įgaliotas aptarnavimo centro atstovas arba panašios kvalifikacijos asmenys, tokiu būdu išvengiant pavojaus. Kreipkitės į artimiausią IKEA parduotuvę.
- Šis prietaisas skirtas naudoti buityje ir panašioms reikmėms, pvz.:
 - personalo virtuvėse, esančiose parduotuvėse, biuruose ir kitokioje darbo aplinkoje;
 - ūkiuose;
 - klientų naudojimui viešbučiuose, moteliuose ir kitokiose gyvenamosiose patalpose aplinkoje;
 - svečių namų tipo aplinkoje.

⚠ DĖMESIO: karštas paviršius.
Naudojimo metu paviršiai gali įkaisti.

⚠ ĮSPĖJIMAS! Jei paviršius įskilęs, atjunkite prietaisą nuo elektros tinklo, kad išvengtumėte galimo elektros smūgio. Kreipkitės į artimiausią IKEA parduotuvę.

⚠ ĮSPĖJIMAS! Naudojimo metu, prietaisas ir jo prieinamos dalys įkaista.

⚠ ĮSPĖJIMAS! Neprižiūrimas virimas ant kaitlentės, naudojant riebalus arba aliejų, yra pavojingas ir gali sukelti gaisrą. NIEKUOMET nebandykite gesinti ugnies vandeniu. Išjunkite prietaisą ir tada uždenkite liepsną pvz. su dangčiu arba antklode nuo ugnies.

Saugos instrukcijos

Įrengimas

- Gamintojas neatsako už asmenų ir gyvūnų sužeidimą arba turto sugadinimą, sukeltą nesilaikant toliau pateiktų reikalavimų.

⚠ DĖMESIO! Norėdami montuoti, perskaitykite skyrių „Saugos informacija“.

⚠ ĮSPĖJIMAS! Montavimo darbus privaloma atlikti laikantis naudojimo šalyje galiojančių įstatymų, potvarkių, direktyvų ir standartų (elektros saugumo taisyklių ir reglamentų, tinkamo perdirbimo pagal reglamentų reikalavimus ir pan.)!

- Prietaiso nemontuokite prie durų arba po langu, nes karšti virtuvės reikmenys gali nukristi nuo kaitvietės, kai atidaromos durys arba langas.
- Patikrinkite, ar prietaisas nebuvo pažeistas transportavimo metu. Sugadinto įrenginio nejunkite.
- Nemontuokite įrenginio, jei jis buvo pažeistas transportuojant.

- Kaitvietės neprijunkite pailginimo laidais, taip pat kaitvietės laido neuždėkite ant darbinio paviršiaus.
- Nekeiskite specifikacijų ir neperdarykite šio gaminio. Gali kilti pavojus susižeisti ir sugadinti prietaisą.

⚠ ĮSPĖJIMAS! Atidžiai laikykitės elektros jungimo instrukcijų.

Elektros jungtys

- Prieš sujungiant patikrinkite, ar prietaiso parametrų lentelėje nurodyta nominalioji įtampa atitinka jums tiekiamą. Taip pat patikrinkite prietaiso vardinę galią ir įsitikinkite, kad namų elektros instaliacijos pajėgumas atitinka įrenginio vardinę galią (žr. skyrių „Techniniai duomenys“).
- Parametrų lentelė yra ant apatinio kaitvietės korpuso.

⚠ ĮSPĖJIMAS! Pavojus susižeisti elektros srove.

- Laisva ir netinkama kištuko ir lizdo jungtis gali sukelti gnybto perkaitimą.

Prieš naudodami prietaisą:

Prieš naudodami, atkreipkite dėmesį į šias instrukcijas.

- Naudokite standartinį maitinimo tiekimo lizdą ir reguliariai tikrinkite jį, kad išvengtumėte gedimų.
- Prietaiso negalima atidaryti jums patiems ar kitam nekvalifikuotam asmeniui. Prietaisą gali taisyti tik jo techninio aptarnavimo agentas ar atitinkamas kvalifikuotas meistras.
- Patikrinkite maitinimo laidą ir kištuką. Jei maitinimo laidas ar kištukas pažeistas, prietaiso nenaudokite. Kištuko netraukite iš lizdo šlapia ranka.
- Nenaudokite pailginimo laido, naudokite tik pagrindinį elektros tiekimo lizdą.
- Jei prietaisas ilgą laiką buvo nenaudojamas, pirmiausia jį įjunkite 10-čiai minučių, kad stabilizuotųsi elektroniniai komponentai. Tada galite naudotis prietaisu.
- Nenaudokite prietaiso šalia vandens, ugnies ar drėgnoje vietoje. Prietaisas skirtas naudoti TIK patalpose.
- Prieš pirmą kartą naudodami, nuo prietaiso nuimkite visą pakuotę, lipdukus ir plėveles.
- Kiekvieną kartą baigę naudoti, išjunkite gaminimo zonas jų valdikliais ir nepasikliaukite keptuvės detektoriumi.
- Pavojus nusideginti! Ant gaminimo paviršiaus nedėkite metalinių daiktų, pvz., peilių, šakučių, šaukštų ir keptuvių dangčių, nes jie gali įkaisti.

⚠ ĮSPĖJIMAS! Gaisro pavojus! Perkaitinti riebalai ir aliejai gali labai greitai užsidegti.

⚠ ĮSPĖJIMAS! Vartotojai, turintys implantuotus širdies stimulatorius, viršutinę kūno dalį turi laikyti maždaug 30 cm atstumu nuo įjungtų indukcinų gaminimo zonų.

⚠ ĮSPĖJIMAS! Prietaiso negalima reguliuoti šlapiomis rankomis, valdymo skydelio paviršius turi būti sausas. Ant valdymo skydelio klavišų susikaupus daug vandens šie neveikia.

⚠ ĮSPĖJIMAS! Jei paviršius suskilo, išjunkite prietaisą, kad išvengtumėte galimo elektros smūgio.

Naudojimo metu ir po naudojimo:

Atkreipkite dėmesį į šias instrukcijas, kad išvengtumėte užsidegimo ir nelaimingų atsitikimų.

- Prietaisą dėkite TIK ant lygaus ir kieto paviršiaus.
- Vaikai turi būti prižiūrimi, kad jie nežaistų su prietaisu.
- Prietaisui veikiant, nedėkite ant plokštės toliau nurodytų objektų.
 - a) Nerūdijančiojo plieno
 - b) Geležies
 - c) Ketaus
 - d) Aliuminio
 - e) Emaliuotų dangčių
 - f) Peilių, šakučių ar šaukštų
 - g) Iš geležies, nerūdijančiojo plieno, ketaus arba aliuminio pagamintų lėkščių
 - h) Tuščių virtuvės reikmenų
- Šildymo metu neneškite ir nejudinkite prietaiso, kai ant jo padėti gaminimo indai.
- Kaitimo metu sudarykite geras sąlygas ventiliacijai.
- Nedėkite jokių vielų ar metalinių objektų į prietaiso oro įlaidą ar išlaidą.
- Plokštės priežiūra.
 - a) Ant skydelio neužmeskite jokių sunkių daiktų.
 - b) Ant plokštės nepilkite vandens, rūgščių arba skysčių.
 - c) Ant plokštės nieko nedeginkite ugnimi.
 - d) Nedėkite jokių įkaitusių virtuvės reikmenų ant prietaiso viršaus, kai jis nenaudojamas.
 - e) Jei paviršius (plokštė) sutrūkinėjęs, nedelsdami išjunkite prietaisą, kad išvengtumėte elektros smūgio, ir gražinkite prietaisą į artimiausią IKEA parduotuvę.
 - f) Kai kurie virtuvės reikmenys naudojimo metu gali kelti triukšmą. Atsargiai pajudinkite virtuvės reikmenį: triukšmas gali dingti arba sumažėti. Jei ne, pakeiskite virtuvės reikmenį.

- Nedėkite veikiančio prietaiso ant kilimo, staltiesės ar popierinės medžiagos.
- Nelieskite karštos plokštės. Plokštė yra karšta tol, kol užgęsta liekamojo karščio indikatorius, net jei maitinimas išjungtas.
- Neatjunkite prietaiso traukdami už kabelio.
- Prieš atjungdami kabelį, išjunkite prietaisą ir leiskite jam atvėsti. Jei prietaisas nebus naudojamas ilgą laiką, atjunkite maitinimo laidą.
- Laikykite virtuvės reikmenis po naudojimo toliau nuo prietaiso.

Kaip nesugadinti prietaiso

- Stiklo keramikos paviršių gali pažeisti užkrentantys daiktai arba virtuvės reikmenys.
- Iš ketaus, aliuminio lydinio pagaminti arba pažeistu dugnu virtuvės reikmenys slysdami gali subraižyti stiklo keramikos paviršių.
- Stiklo keramiką taip pat galima sugadinti numetus ant grindų.

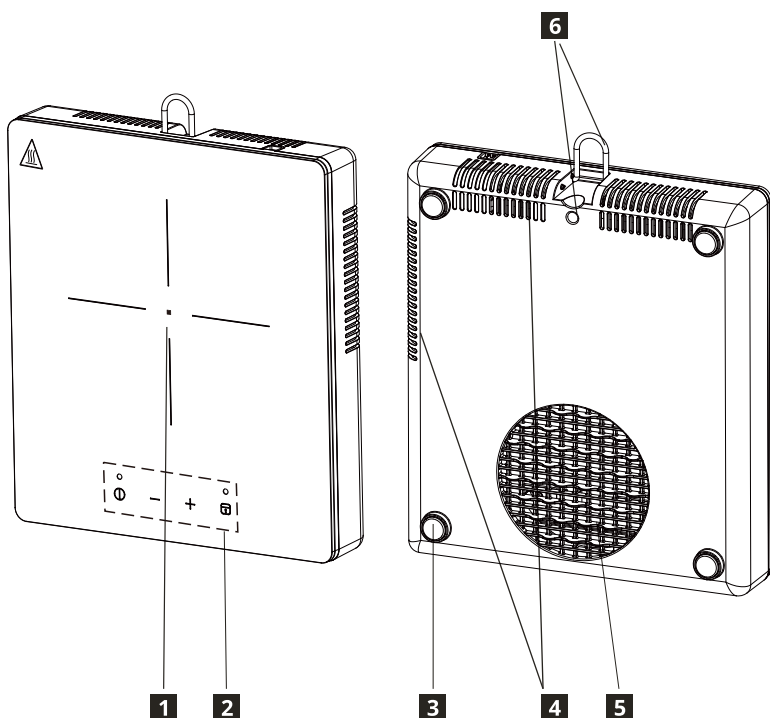
- Kad nesugadintumėte virtuvės reikmenų ir stiklo keramikos paviršiaus, nekaitinkite sausų prikaistuvių arba keptuvių.
- Veikiančių zonų nenaudokite su tuščiais virtuvės reikmenimis arba visai be jų.
- Jokios prietaiso dalies neuždenkite aliuminio plėvele. Niekomet nedėkite plastikinių arba kitokių lengvai besilydančių medžiagų į prietaisą arba ant jo.

⚠ **ĮSPĖJIMAS!** Prietaisas į maitinimo lizdą turi būti įjungtas tol, kol išsijungia ventiliatorius ir karščio indikatorius.

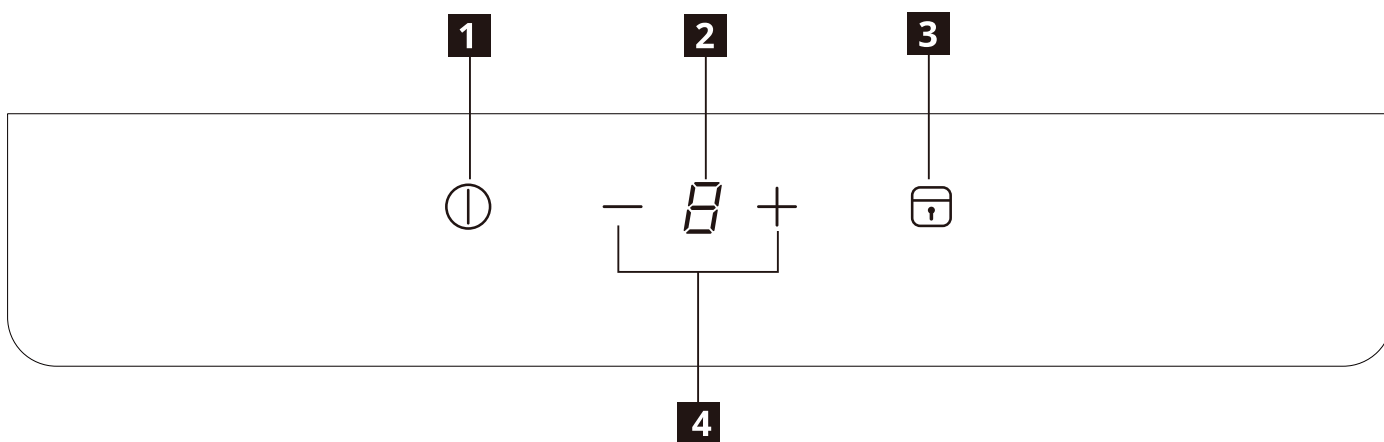
Informacija apie akrilamidus

Svarbu! Remiantis naujausiais mokslo duomenimis, stiprus maisto apkepinimas, ypač krakmolo turinčių produktų, gali sukelti pavojų sveikatai dėl juose susidarančių akrilamidų. Todėl rekomenduojame gaminti žemiausioje galimoje temperatūroje ir per daug neapkepti produktų.

Gaminio aprašymas



- 1** Kaitinimo zona
Virimo zona 170 mm, 2000 W
- 2** Valdymo skydelis
- 3** Silikoninės atramos
- 4** Oro išlaidas
- 5** Oro įlaidas
- 6** Kabelio formos kabykla



Valdymo skydelio išdėstymas

- 1** Įjungimas / išjungimas
- 2** Galios lygio rodymas
- 3** Užraktas / vaikų saugos užraktas
- 4** Galios lygio nuostata - / +

Jutiklinio valdiklio jautrieji laukai ir rodmenys

Kaitvietė valdoma palietus jautriuosius laukus.

Rodmenys ir garsiniai signalai (trumpas pyptelėjimas) patvirtina pasirinktą funkciją.

Galios lygis	1	2	3	4	5	6	7	8	9
Galia	150 W	250 W	300 W	450 W	600 W	800 W	1100 W	1500 W	2000 W

Indikatoriai

⚠ Indas pastatytas neteisingai arba jo nėra

Simbolis rodomas, jei indas netinkamas indukciniam šildymui, pastatytas netinkamai arba jis nėra tinkamo dydžio pagal pasirinktą gamtinimo zoną. Jei pasirinkus parinktį, per 30 sekundžių neaptinkamas indas, gamtinimo zona išjunginama.

H Liekamasis karštis

Jei ekrane rodoma „H“, gamtinimo zona vis dar karšta. Zonai atvėsus, ekranas išsijungia.

⚠ ĮSPĖJIMAS! Nudegimų pavojus dėl liekamojo karščio! Išjungus prietaisą, kaitinimo zonoms reikia šiek tiek laiko atvėsti. Žiūrėkite liekamojo karščio indikatorių **H**.

Liekamąjį karštį naudokite tirpinimui ir maisto šilumai palaikyti. Įrenginio neatjunkite tol, kol neišnyks **H** rodmuo.

Kasdienis naudojimas



Ijungimas į elektros lizdą

1. Kištuką įjungus į pagrindinį maitinimo šaltinį, aktyvinamas vaikų saugos užraktas. Norėdami jį išjungti, paspauskite ir palaikykite vaikų saugos užrakto klavišą 3 sekundes.

Ijungimas / Išjungimas

1. Paspauskite ĮJUNGIMO / IŠJUNGIMO mygtuką, ekrane pamatysite rodmenį „0“, kaip parengties režime, taip pat užsidegs maitinimo indikatorius lemputė. Jei per 30 sekundžių nepasirenkama jokia šildymo parinktis, kaitvietė automatiškai išsijungia, nepaspaudus ĮJUNGIMO / IŠJUNGIMO mygtuko.
2. ĮJUNGIMO / IŠJUNGIMO mygtuką paspaudus prietaisui veikiant, kaitvietė išsijungia.



Galios lygio nuostata

1. Paspauskite — arba +, norėdami keisti galios lygį šildymo metu.
2. Paspaudus —, galios lygis iš karto pakyla iki 9. Paspaudus —, galios lygis mažinamas nuo 9 iki 1.
3. Paspaudus +, galios lygis pakyla nuo 1. Paspaudus +, galios lygis didinamas nuo 1 iki 9.



Užrakto funkcija

Veikiant gamtinimo zonai, negalite užrakinti valdymo skydelio, pavyzdžiui, norėdami išvalyti kaitvietę. Tai neleidžia netyčia pakeisti galios lygio nuostatos. Kaitvietę vis dar galima išjungti įjungimo / išjungimo mygtuku.

Užrakto įjungimas

1. Nustatykite norimą galią.
2. Paspauskite ir 3 sekundes palaikykite nuspaudę užrakto mygtuką. Funkcija suaktyvinama, kai užsidega užrakto indikatorius ir suskamba garsas.

Užrakto išjungimas

1. Paspauskite ir 3 sekundes palaikykite nuspaudę užrakto mygtuką. Funkcija išjungžiama, kai išsijungia užrakto indikatorius ir suskamba garsas.
2. Galios lygis grąžinamas į ankstesnę nuostatą.

Vaikų saugos užrakto funkcija

Valdymo skydelis gali būti užrakintas ir tuomet, kai kaitvietė neveikia. Ši funkcija apsaugo nuo atsitiktinio prietaiso įjungimo.

Vaikų saugos užrakto įjungimas

1. Prietaisą įjunkite ĮJUNGIMO / IŠJUNGIMO mygtuku. Nenustatykite jokio galios lygio.
2. Paspauskite ir 3 sekundes palaikykite nuspaudę užrakto mygtuką. Funkcija suaktyvinama, kai užsidega užrakto indikatorius ir suskamba garsas.
3. Įrenginį pasyvinkite ĮJUNGIMO / IŠJUNGIMO mygtuku.

Vaikų saugos užrakto išjungimas

1. Paspauskite ir 3 sekundes palaikykite nuspaudę užrakto mygtuką. Funkcija išjungžiama, kai išsijungia užrakto indikatorius ir suskamba garsas.

Automatinis išjungimas

Funkcija automatiškai išjungia kaitvietę, jei:

- visos gamtinimo zonos išjungtos;
- įjungę kaitvietę per 30 sekundžių nenustatote galios lygio;
- neperjungiame gamtinimo zonos arba po 2 valandų nepakeičiate galios lygio, arba įvykus perkaitimui (pvz., jei inde nėra skysčių).

Maisto gaminimo lentelė


Karščio nustatymas	Naudojimo paskirtis:	Laikas (min.)	Pastabos
1	• Laikyti pagamintą maistą šiltai.	jei reikia	Uždėkite ant maisto gaminimo indų dangtį.
1-2	• Olandiškas padažas, ištirpinkite sviestą, šokoladą, želatiną.	5-25	Kartkartėmis pamaišykite.
2-3	• Pavirinti ryžių ir pieno patiekalus, pašildyti paruoštus patiekalus.	25-50	Įpilkite bent du kartus daugiau skysčio nei ryžių ir įpusėjus procedūrai pamaišykite pieno patiekalus.
4-5	• Garuose ruošti daržoves, žuvį, mėsą, bulves.	20-45	Įpilkite nedidelį kiekį vandens.
	• Gaminti didesnius maisto kiekius ir troškinius.	60-150	Įpilkite nedidelį kiekį vandens.
5-6	• Švelnus pakepinimas: veršienos cordon bleu, kotletai, pjausniai, dešrelės, užtepėlės, kiaušiniai.	jei reikia	Apverskite įpusėjus kepimui.
7-8	• Plokštainiai, kepsniai.	5-15	Apverskite įpusėjus kepimui.
9	• Virti vandenį, virti makaronus, kepti mėsą (guliašą, troškinį), aliejuje virti traškučius.		

Gaminimo indų naudojimas

Kokius indus naudoti

Naudokite tik indus, kurių apačia pagaminta iš feromagnetinės medžiagos, kuri yra tinkama indukcinėms kaitvietėms:

- ketaus
- emaliuoto plieno
- anglinio plieno
- nerūdijančio plieno (tačiau tinka ne visi)
- aliuminio su feromagnetine danga ar feromagnetine plokšte

Norėdami sužinoti, ar indas tinkamas, ieškokite  simbolio (paprastai jis įspaustas ant dugno). Taip pat prie dugno galite pridėti magnetą. Jei jis prikimba prie apačios, indas tinkamas naudoti ant indukcinės kaitvietės.

Norėdami užtikrinti optimalų našumą, naudokite indus su plokščiu dugnu, kuris tolygiai išsklaido karštį. Jei dugnas nelygus, tai turės neigiamos įtakos galiai ir šilumos laidumui.

Kaip naudoti

Minimalus indo pagrindo skersmuo skirtingoms gaminimo zonoms

Siekiant užtikrinti tinkamą kaitvietės veikimą, indas turi dengti vieną arba daugiau referencinių taškų, išdėstytų kaitvietės paviršiuje, ir turi atitikti minimalaus skersmens reikalavimą.

Visada naudokite tą gaminimo zoną, kuri labiausiai atitinka indo dugno skersmenį.

Gaminimo zona	Rekomenduojamas gaminimo indo skersmuo [mm]
Vidutinė galinė gaminimo zona	120-180

Tušti arba plono pagrindo indai

Nedėkite tuščių arba plono pagrindo indų ant kaitvietės, nes ji negalės stebėti temperatūros arba išjungti, jei temperatūra būtų per didelė; taip gali būti pažeistas indas arba kaitvietės paviršius. Jei taip nutiktų, nieko nelieskite ir palaukite, kol visos dalys atvės.

Atsiradus klaidos pranešimui, žr. „Trikčių šalinimas“.

Patarimai

Triukšmas gaminimo metu

Kai gaminimo zona aktyvi, ji gali trumpai suzvimbti. Tai būdinga visoms stiklo keramikos gaminimo zonoms ir nepablogina prietaiso veikimo ar tarnavimo laiko. Triukšmas priklauso nuo naudojamo indo. Jei tai labai trukdo, galbūt reikėtų pakeisti indus.

Įprastiniai indukcinės kaitlentės veikimo garsai

Indukcinė technologija pagrįsta elektromagnetinių laukų sukūrimu, kad šiluma būtų generuojama tiesiai virtuvės indų dugne. Priklausomai nuo to, kaip jie gaminami, puodai ir keptuvės gali sukelti įvairų triukšmą ar vibraciją.

Šie garsai apibūdinami taip:

Žemo dažnio zvimbimas (kaip transformatorius)

Šis triukšmas kyla gaminant maistą aukštame karščio lygyje. Jis priklauso nuo energijos kiekio, perduodamo iš kaitlentės į indus.

Sumažėjus šilumos lygiui, triukšmas išnyksta arba nuslopsta.

Tylus švilpimas

Šis triukšmas kyla, kai indas ant kaitlentės yra tuščias. Jis nustoja sklįsti, į kaitlentę įpylus skysčių arba įdėjus maisto produktų.

Braškėjimas

Šis triukšmas atsiranda, kai virtuvės reikmenys, pagaminti iš įvairių medžiagų, sudedami vienas ant kito.

Tai sukelia paviršių, kuriuose susitinka skirtingos medžiagos, vibracija. Triukšmas kyla ant indų ir gali skirtis priklausomai nuo maisto ar skysčio kiekio ir gaminimo būdo (pvz., virimo, troškinimo, kepimo).

Garsus švilpimas

Šis triukšmas atsiranda, kai indai, pagaminti iš skirtingų medžiagų, sukraunami vienas ant kito ir kai jie papildomai naudojami esant didžiausiai galiai, taip pat ant dviejų virimo zonų. Sumažėjus šilumos lygiui, triukšmas išnyksta arba nuslopsta.

Šie garsai yra normalu Ventilatoriaus garsai

Norint, kad elektroninė sistema tinkamai veiktų, būtina reguliuoti viryklės temperatūrą. Šiuo tikslu viryklė turi aušinimo ventilatorių, kuris įjungiamas elektroninės sistemos temperatūrai sumažinti ir reguliuoti. Ventilatorius taip pat gali toliau veikti išjungus prietaisą, jei išjungus viryklę nustatyta temperatūra vis dar yra per didelė.

Ritminiai garsai, panašūs į tiksintį laikrodžio garsą

Šis triukšmas atsiranda tik tada, kai veikia bent trys gaminimo zonos, ir išnyksta arba susilpnėja kai kurias iš jų išjungus.

Aprašyti triukšmai yra įprastas indukcinės technologijos elementas ir neturėtų būti laikomi defektais.

Priežiūra ir valymas

⚠ ĮSPĖJIMAS! Prieš atjungdami prietaisą, išjunkite šio maitinimą ir leiskite atvėsti.

⚠ ĮSPĖJIMAS! Prieš valydami prietaisą, išjunkite šio maitinimą ir leiskite atvėsti.

⚠ ĮSPĖJIMAS! Saugumo sumetimais nevalykite prietaiso garų pūstuvais arba aukšto slėgio valymo įrenginiais.









⚠ ĮSPĖJIMAS! Aštrūs daiktai ir abrazyvinės valymo priemonės pažeidžia prietaisą. Kiekvieną kartą panaudoję, vandeniu ir plovimo priemone nuvalykite prietaisą ir pašalinkite likučius. Taip pat pašalinkite valymo priemonių liekanas!







ⓘ Žymės arba tamsios dėmės ant stiklo keramikos, kurių negalima nuvalyti, neturi įtakos prietaiso veikimui.

Liekanų ir atsitiktinių likučių šalinimas:

- Cukraus turinčio maisto, plastiko, aliuminio folijos likučius reikia nuvalyti iš karto. Geriausias įrankis stikliniam paviršiui valyti yra gremžtukas (su prietaisu neparduodamas). Gremžtuką prie stiklo paviršiaus priglauskite kampu ir pašalinkite liekanas geležtę stumdami paviršiumi. Prietaisą nuvalykite drėgna šluoste ir tpučiu plovimo skysčio. Galiausiai, švariu audiniu sausai nuvalykite prietaisą.
- Kalkių nuosėdų, vandens apskritimų, riebalų lašus, blizgančias metalo dėmes, prietaisui atvėsus, reikia nuvalyti stiklo keramikai arba nerūdijančiajam plienui skirtais valikliais.


Trikčių šalinimas

Triktis	Galima priežastis	Sprendimas
Aparatas neveikia.	Nėra maitinimo arba trumpasis jungimas jūsų namų elektros šaltinyje.	
	Maitinimo laidas netinkamai prijungtas prie elektros lizdo.	Patikrinkite elektros tiekimą į kaitvietę, ar tinkamai prijungta.
	Praėjo daugiau kaip 10 sekundžių nuo to laiko, kai įjungtas prietaisas.	Vėl įjunkite prietaisą.
	Vaikų saugos užraktas įjungtas.	Išjunkite vaikų saugos užraktą. (Skaitykite skyrių „Vaikų saugos įtaisas“).
	Keli jautrieji laukai buvo paliesti vienu metu.	Lieskite tik vieną jautrųjį lauką.
Prietaisas nustoja veikti. Klaidos pranešimas:  → 	Gaminimo indai netinkami indukciniam šildymui.	Pakeiskite indukcinę viryklę tinkamu indu.
	Ant gaminimo zonos nėra indo arba indo skersmuo yra mažesnis nei 120 mm.	Pastatykite virtuvės reikmenį ant gaminimo zonos.
Prietaisas nustoja veikti. Klaidos pranešimas:  → 	Virtuvės reikmuo tuščias (kaista be skysčio) arba gaminimo temperatūra per aukšta.	Išjunkite prietaisą ir paleiskite iš naujo po 5 minučių. Jei E2 nedingsta, kreipkitės į artimiausią IKEA parduotuvę.
	Oro įlaidas ir išlaidas užblokuoti.	
	Aplinkos temperatūra per aukšta.	
Prietaisas nustoja veikti. Klaidos pranešimas:  → 	Pagrindinis maitinimo šaltinis viršija KS 275 V.	Pakeiskite į prietaisui tinkamą maitinimo šaltinį.
Prietaisas nustoja veikti. Klaidos pranešimas:  → 	Pagrindinis maitinimo šaltinis žemesnis kaip AC 100 V.	Pakeiskite į prietaisui tinkamą maitinimo šaltinį.

Prietaisas nustoja veikti. Klaidos pranešimas:  → 	Neveikia prietaiso temperatūros jutiklis.	Kreipkitės į artimiausią IKEA parduotuvę.
Prietaisas nustoja veikti. Klaidos pranešimas:  → 		
Prietaisas nustoja veikti. Klaidos pranešimas:  → 	Vidinė išskirtinė padėtis	Išjunkite prietaisą ir paleiskite iš naujo po 5 minučių. Jei EO nedingsta, kreipkitės į artimiausią IKEA parduotuvę.

Klaidos kodas rodomas, kai kaitvietė įjungta ir aptinkama klaida. E ir skaičiai rodomi paeiliui (kas 1 sek.).

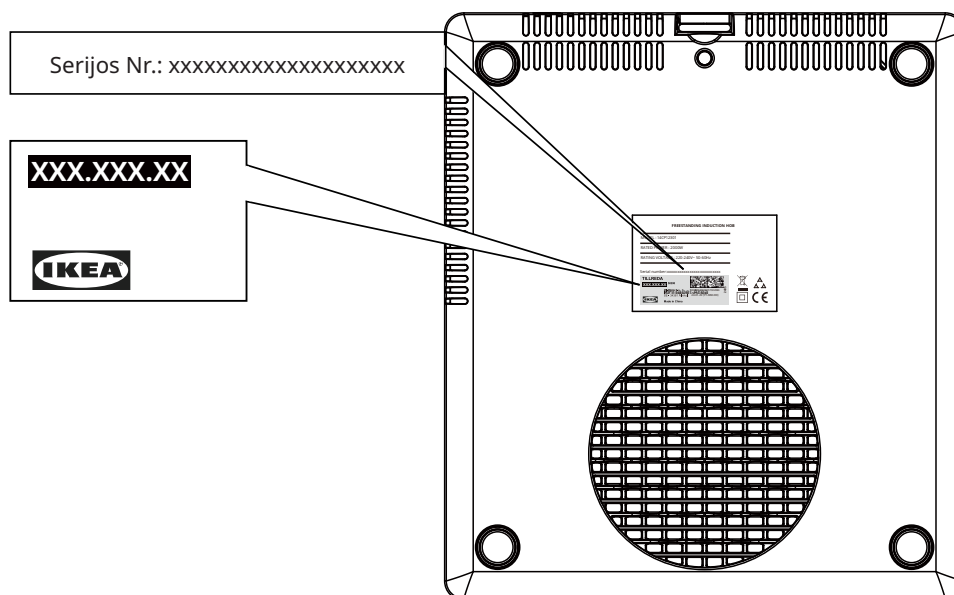
Jei kilo triktis, pabandykite išspręsti ją vadovaudamiesi trikčių šalinimo nurodymais. Jei problemos išspręsti nepavyksta, kreipkitės į artimiausią IKEA parduotuvę.

 Jei prietaisą naudojote netinkamai, pardavėjas gali netaisyti jo nemokamai, net ir garantiniu laikotarpiu.

Techniniai duomenys

Modelis	14CP12301
Kaitvietės tipas	Laisvai pastatoma indukcinė kaitvietė
Gaminimo zonų ir (arba) sričių skaičius	1
Nominali galia	2000 W
Nominali įtampa	220–240 V~
Nominalus dažnis	50–60 Hz
Ilgis	305 mm
Plotis	270 mm
Aukštis	62 mm
Grynasis svoris	2,33 kg

Serijos numeris
(priekyje nurodomos
raidės „SN“, 22
skaitmenų numeris)
Gaminio numeris
(8 skaitmenų kodas)




Energijos efektyvumas

Modelio identifikatorius	14CP12301
Kaitvietės tipas	Nešiojamasis prietaisas
Gaminimo zonų skaičius	1
Šildymo technologija	Indukcija
Apskritų gaminimo zonų skersmuo (Ø)	170 mm
Kiekvienos gaminimo zonos energijos sąnaudos (EC elektrinis terminis maisto apdorojimas)	184 Wh/kg
Kaitvietės energijos suvartojimas (EC elektrinė kaitvietė)	184 Wh/kg
Informacija apie gaminio suvartojamą energiją ir laiką, per kurį pereinama į mažos galios režimą	išjungties režimas: 0,5 W
Maksimalus laikas, reikalingas pereiti į mažos galios režimą	5 sekundės
Direktyva 2009/125/ES, Komisijos reglamentas (ES) Nr. 66/2014, EN 60350-2:2018+A1:2021.	

Aplinkosaugos klausimai


Buitinių prietaisų išmetimas

Šis simbolis  ant gaminio arba šio pakuotės rodo, kad šio gaminio negalima išmesti kartu su buitinėmis atliekomis. Jis turi būti pristatytas į atitinkamą elektros ir elektroninės įrangos surinkimo punktą perdirbimui. Užtikrindami tinkamą šio gaminio išmetimą, padedate užkirsti kelią neigiamoms pasekmėms aplinkai ir žmonių sveikatai, kurios galėtų kilti netinkamai tvarkant šio gaminio atliekas. Daugiau išsamios informacijos apie šio gaminio perdirbimą klauskite savo vietos taryboje, buitinių atliekų surinkimo tarnyboje arba parduotuvėje, kurioje pirkote gaminį.

⚠ ĮSPĖJIMAS! Prieš išmesdami prietaisą, atlikite šiuos veiksmus:

- Kištuką ištraukite iš el. lizdo.
- Nukirpkite maitinimo kabelį ir jį išmeskite.

Pakavimo medžiagų išmetimas

Šiuo simboliu  paženklintos medžiagos yra perdirbamos.

Pakavimo medžiagas išmeskite į atitinkamą konteinerį, kad šios būtų perdirbtos.

Energijos taupymas

- Jei įmanoma, visuomet prikaistuvius uždenkite dangčiu.
- Virtuvės reikmenis statykite ant gaminimo zonos prieš ją įjungdami.
- Virtuvės reikmens dugnas turi būti kaip galima storesnis ir lygesnis.

IKEA garantija

Kiek laiko galioja IKEA garantija?

Ši garantija galioja 2 metus nuo pirmos prietaiso įsigijimo IKEA parduotuvėje datos, nebent nacionaliniuose teisės aktuose nurodyta kitaip. Norėdami sužinoti, kas taikoma jūsų šalyje, eikite į IKEA.com.

Pateikite originalų pirkimo kvitą kaip pirkimo įrodymą. Jei pagal garantiją atliekami remonto darbai, prietaiso garantinis laikotarpis nepratęsiamas.

Kas atliks aptarnavimą?

Kreipkitės į artimiausią IKEA parduotuvę.

Kam taikoma ši garantija?

Garantija taikoma prietaiso gedimams dėl netinkamos konstrukcijos arba žaliavų nuo įsigijimo iš IKEA dienos.

Ši garantija taikoma tik tada, jei prietaisas naudojamas buityje.

Išimties nurodytos skyriuje „Kam netaikoma ši garantija?“ Per garantinį laikotarpį padengiamos gedimų taisymo išlaidos, pvz. remonto, dalių, darbo ir kelionių, su sąlyga, kad prietaisą galima pristatyti remontui be specialių išlaidų. Pakeistos dalys tampa IKEA nuosavybe.

Ką padarys IKEA problemai pašalinti?

IKEA specialistai apžiūrės prietaisą ir savo nuožiūra nuspręs, ar šiam taikoma garantija. Jei garantija taikoma, tuomet IKEA savo nuožiūra arba pataisys sugedusį gaminį arba pakeis tokiu pačiu arba panašiu gaminiu.

Kam netaikoma ši garantija?

- Įprastam susidėvimui.
- Tyčinei žalai ar žalai dėl aplaidumo, gedimams, kylantiems nesilaikant naudojimo instrukcijų, neteisingam prietaiso įrengimui arba prijungimui prie netinkamos įtampos tinklo, gedimams dėl cheminių arba elektrocheminių reakcijų, rūdžių, korozijos ar vandens žalos, įskaitant, bet tuo neapsiribojant, gedimus, kuriuos sukelia pernelyg didelis kalkių kiekis vandenyje, gedimams dėl nenormalių aplinkos sąlygų.
- Susidėvinčioms dalims, įskaitant maitinimo elementus ir lemputes.

- Nefunkcinėms ir dekoratyvinėms dalims, kurios neturi įtakos įprastam prietaiso naudojimui, įskaitant įbrėžimus ir galimus atspalvių skirtumus.
- Atsitiktiniams pažeidimams, kuriuos sukelia pašalinės medžiagos arba objektai, filtrų atkimšimui arba vandens išleidimo sistemų ir plovimo priemonių stalčių valymui.
- Šių dalių pažeidimams: stiklo keramikos, priedų, indų ir stalo įrankių krepšių, tiekimo ir išleidimo vamzdžių, sandariklių, lempučių ir lempučių dangtelių, ekranų, rankenėlių, korpusų ir jų dalių. Išskyrus atvejus, kai gali būti įrodyta, kad tokia žala buvo sukelta dėl gamybos trūkumų.
- Remontui, kurį atliko ne mūsų paskirtieji paslaugų teikėjai ir (arba) įgaliotas garantinio remonto partneris, arba kai buvo naudojamos neoriginalios dalys.
- Remontui dėl netinkamo įrengimo arba įrengimo nesilaikant specifikacijos.
- Kai prietaisas naudojamas ne buityje, t. y. profesionalioje veikloje.
- Žalai, padarytai gabenant. Jei klientas pats gabena gaminį į namus arba kitu adresu, IKEA neatsako už jokią žalą, kuri gali atsirasti vežant. Tačiau jei IKEA pristato gaminį kliento nurodytu adresu, IKEA atsako už tokio gabenimo metu gaminiui padarytą žalą.
- IKEA prietaiso pirminio montavimo darbų atlikimo išlaidos. Tačiau jei IKEA paskirtasis paslaugų teikėjas ar įgaliotas garantinio remonto partneris pagal šią garantiją suremontuoja arba pakeičia prietaisą, paskirtasis paslaugų teikėjas ar įgaliotas garantinio remonto partneris turi sumontuoti suremontuotą prietaisą arba, jei reikia, jo pakaitalą.

Kaip taikomi šalyje galiojantys teisės aktai

IKEA garantija suteikia tam tikras teises, kurios apima arba viršija visus taikomus vietos teisinius reikalavimus. Tačiau šios sąlygos niekaip neapriboja vartotojų teisių, numatytų vietos teisės aktuose.

Galiojimo sritis

Įsigijus prietaisus vienoje ES valstybėje narėje ir pervežus į kitą ES šalį, garantinės paslaugos teikiamos naujoje šalyje įprastinėmis sąlygomis. Pareiga suteikti garantines paslaugas kyla tik jeigu prietaisas atitinka ir yra sumontuotas laikantis:

- šalies, kurioje pareiškama garantinė pretenzija, techninių specifikacijų;
- surinkimo instrukcijų ir naudojimo vadovo saugos informacijos.

IKEA prietaisų PRIEŽIŪRA PO PARDAVIMO

Nesivarždami kreipkitės į IKEA, kad:

- jei norite pateikti prašymą remontui pagal šią garantiją;
- jei reikia paaiškinimų apie IKEA prietaisų funkcijas.

Siekdami suteikti geriausią pagalbą, norėtume, kad prieš kreipdamiesi į mus atidžiai perskaitytumėte montavimo instrukcijas ir (arba) naudotojo vadovą.

Kaip susisiekti su mumis, jei reikia mūsų paslaugų



IKEA priežiūros po aptarnavimo skyrius padėtų jums telefonu spręsti pagrindines prietaiso triktis, kreipiantis į juos telefonu. Skaitykite IKEA katalogą arba apsilankykite adresu www.ikea.com, norėdami rasti jūsų vietinės parduotuvės telefono numerį ir darbo laiką.

Kad paslaugą būtų galima suteikti greičiau, visuomet nurodykite IKEA prekės numerį (8 skaičių kodą), nurodytą prietaiso parametru lentelėje.

IŠSAUGOKITE PIRKIMO KVITĄ!

Tai pirkimo įrodymas, kurį reikės pateikti kreipiantis dėl garantinės priežiūros. Pirkimo kvite taip pat nurodytas kiekvieno įsigyto IKEA prietaiso pavadinimas ir gaminio numeris (8 skaitmenų kodas).

Ar jums reikalinga papildoma pagalba?

Jei turite papildomų klausimų, nesusijusių su prietaiso garantine priežiūra, kreipkitės į artimiausios IKEA parduotuvės skambučių centrą. Prieš kreipiantis į mus, rekomenduojame atidžiai perskaityti prietaiso dokumentaciją.

Índice

Informações relativas à segurança.....	228	Cuidados e limpeza.....	236
Instruções de segurança.....	229	Resolução de problemas.....	236
Descrição do Produto.....	232	Dados técnicos.....	237
Indicadores.....	233	Eficiência energética.....	238
Utilização diária.....	233	Questões ambientais.....	238
Placa de aquecimento.....	234	Garantia IKEA.....	239
Orientações relativas a painéis.....	234		

Informações relativas à segurança

ⓘ Para sua segurança e para um correto funcionamento do equipamento, leia este manual cuidadosamente antes da instalação e utilização. Mantenha sempre estas instruções com o equipamento mesmo se se mudar ou se o vender. Os utilizadores devem conhecer completamente as características de operação e de segurança do equipamento.

Utilização correta

- Não deixe o equipamento sem vigilância durante a utilização.
- O equipamento foi concebido exclusivamente para uso doméstico.
- O equipamento foi concebido exclusivamente para uso interno.
- O equipamento não deve ser utilizado como superfície de trabalho ou como uma superfície de armazenamento.
- Não coloque ou armazene líquidos inflamáveis, materiais altamente inflamáveis ou objetos que derretam (por ex. filme, plástico, alumínio) em cima ou perto do equipamento.
- Cuidado ao ligar equipamentos elétricos a tomadas próximas. Não permita que os cabos de ligação entrem em contacto com o equipamento nem que fiquem debaixo deste, ou debaixo de painéis quentes.
- Não faça reparações por conta própria para evitar ferimentos e danos no equipamento. Contacte sempre a loja IKEA mais próxima.

Segurança de criança e pessoas vulneráveis

- Este eletrodoméstico pode ser utilizado por crianças a partir de 8 anos, por

- peças com capacidades mentais, sensoriais ou físicas reduzidas, ou com pouca experiência e conhecimentos, se tiverem recebido supervisão ou instruções relativas à utilização do eletrodoméstico de uma forma segura, e se compreenderem os perigos envolvidos.
- Mantenha todas as embalagens afastadas das crianças. Existe o risco de asfixia.
 - Mantenha as crianças afastadas do equipamento tanto durante o funcionamento como quando não estiver em utilização.
 - Crianças com menos de 8 anos de idade devem estar sempre afastadas do eletrodoméstico, a menos que constantemente supervisionadas.
 - As crianças não devem brincar com o aparelho. A limpeza e a manutenção por parte do utilizador não devem ser realizadas por crianças sem supervisão.

⚠ **AVISO!** Ative o bloqueio para crianças para evitar que crianças pequenas e animais de estimação liguem acidentalmente o aparelho.

Segurança geral

- Mantenha desobstruídas as aberturas de ventilação quer do equipamento quer da estrutura que o envolve.
- Não toque no painel quando o indicador de calor residual ainda estiver aceso, a fim de evitar lesões.
- Não insira qualquer objeto na placa de indução durante a operação para evitar choque elétrico.
- Não enrole o fio em volta do pescoço para evitar o risco de estrangulamento.

- Não deve utilizar-se uma máquina de limpeza a vapor para limpar este eletrodoméstico.
- Objetos metálicos como facas, garfos, colheres e tampas não devem ser colocados sobre a superfície da placa, uma vez que podem aquecer.
- Após a utilização, desligue o elemento da placa no respetivo controlo e não dependa do detetor de tacho.
- Este eletrodoméstico não se destina a ser utilizado por meio de um temporizador externo ou sistema de controlo remoto separado.
- Deve tomar-se cuidado para evitar tocar nos elementos de aquecimento.
- Se o cabo de alimentação estiver danificado, deve ser substituído pelo fabricante, Centro de Serviço Autorizado ou pessoal igualmente qualificado para evitar qualquer risco. Entre em contacto com a loja IKEA mais próxima.
- Este aparelho deve ser utilizado num ambiente doméstico e em aplicações similares, tais como:
 - áreas de cozinha para funcionários de lojas, escritórios e outros ambientes de trabalho;
 - casas rurais;
 - por clientes em hotéis, motéis e outros tipos de ambientes residenciais;
 - ambientes do tipo alojamentos com pequeno almoço.

⚠ CUIDADO: superfície quente. As superfícies podem ficar quentes durante a utilização.

⚠ AVISO! Se a superfície estiver rachada, desligue o eletrodoméstico para evitar a possibilidade de um choque elétrico. Entre em contacto com a loja IKEA mais próxima.

⚠ AVISO! O aparelho e as respetivas partes acessíveis aquecem durante a utilização.

⚠ AVISO! Deixar comida ao lume com gordura ou óleo pode ser perigoso e resultar num incêndio. NUNCA tente extinguir um foco de incêndio, desligue antes o aparelho e, em seguida, cubra a chama, por ex. com uma tampa ou manta ignífuga.

Instruções de segurança

Instalação

- O fabricante não é responsável por qualquer dano a pessoas e animais de estimação ou danos materiais causados pela não observância dos seguintes requisitos.

⚠ CUIDADO! Para prosseguir com a instalação consulte as Informações de Segurança.

⚠ AVISO! O processo de instalação deve seguir as leis, regulamentos, diretivas e normas (regras e normas de segurança elétrica, reciclagem adequada, de acordo com os regulamentos, etc.) em vigor no país de utilização!

- Evite instalar o equipamento perto de portas ou por baixo de janelas pois as painéis quentes podem ser derrubadas na placa quando se abrem as portas e janelas.
- Certifique-se de que o equipamento não está danificado devido ao transporte. Não ligue um equipamento danificado.
- Não instale o equipamento se estiver danificado devido ao transporte.
- Não ligue a placa com cabos de extensão e não coloque a placa com o cabo esticado em zonas de trabalho.
- Não altere as especificações ou modifique este produto. Risco de ferimentos e danos no equipamento.

⚠ AVISO! Cumpra cuidadosamente as instruções para as ligações elétricas.

Ligações elétricas

- Antes de ligar, verifique se a tensão nominal do equipamento indicada na chapa de identificação corresponde à tensão de alimentação disponível. Verifique também a potência nominal do aparelho e certifique-se de que a instalação elétrica da sua casa se adequa à potência nominal do aparelho (consulte o capítulo relativo aos dados técnicos).
- A chapa de identificação está localizada na parede inferior da placa.

⚠ **AVISO!** Risco de ferimentos por corrente eléctrica.

- Tomadas e fichas soltas ou incorretas poderão provocar o sobreaquecimento do terminal.

Antes de usar:

Preste atenção às seguintes instruções antes de usar.

- Utilize a tomada de alimentação principal padrão, e verifique regularmente a tomada para evitar qualquer dano.
- Não abra o aparelho sozinho nem permita que qualquer outra pessoa que não um técnico qualificado o faça. A reparação do aparelho deve ser realizada por um agente de assistência ou técnico igualmente qualificado.
- Verifique o cabo de alimentação e a ficha. Se o cabo de alimentação, ou a ficha, estiver danificado, não utilize o aparelho. Não retire a ficha com as mãos molhadas.
- Não use a extensão do cabo de alimentação e utilize apenas tomadas de fonte de alimentação padrão.
- Se o aparelho não for utilizado durante um longo período de tempo, ligue primeiro o aparelho durante 10 minutos para estabilizar o componente eletrónico. Em seguida, pode utilizar o aparelho.
- Não utilize o aparelho perto de água, fogos ou áreas húmidas. O aparelho destina-se APENAS a uma utilização doméstica interior.
- Remova toda a embalagem, adesivos e películas antes de utilizar o aparelho pela primeira vez.

- Desligue as zonas de cozedura após cada utilização, através dos controlos e não confie apenas no detetor de panela.
- Risco de queimaduras! Não coloque objetos metálicos, tais como facas, garfos, colheres e tampas de panelas sobre a superfície de cozedura, pois podem ficar quentes.

⚠ **AVISO!** Perigo de incêndio! Gorduras e óleos sobreaquecidos podem inflamar muito rapidamente.

⚠ **AVISO!** Os utilizadores com pacemakers implantados devem manter a sua parte superior do corpo, pelo menos a 30 cm de focos de indução que estejam ligados.

⚠ **AVISO!** Não utilize o equipamento com as mãos molhadas e mantenha a superfície do painel de controlo seco. Uma grande quantidade de água sobre as teclas do painel de controlo fará torná-los inoperacionais.

⚠ **AVISO!** Se a superfície estiver rachada, desligue o equipamento para evitar a possibilidade de um choque eléctrico.

Durante e após a utilização:

Preste atenção às instruções seguintes para evitar a ignição e acidentes.

- Coloque o aparelho APENAS numa superfície plana e sólida.
- As crianças devem ser supervisionadas e impedidas de utilizar o aparelho como brinquedo.
- Não coloque nenhum dos seguintes objetos no painel durante o funcionamento do aparelho.
 - a) Aço inoxidável
 - b) Ferro
 - c) Ferro fundido
 - d) Alumínio
 - e) Tampa e esmalte
 - f) Faca, garfo ou colher
 - g) A placa é feita de ferro, aço inoxidável, ferro fundido ou alumínio
 - h) Utensílios de cozinha vazios
- Durante o aquecimento, não transporte nem mova o aparelho com panelas em cima do mesmo.

- Mantenha um bom ambiente circundante para a ventilação durante o aquecimento.
- Não insira quaisquer arames ou objetos metálicos na entrada ou na saída de ar do eletrodoméstico.
- Como cuidar do painel.
 - a) Não deixe cair quaisquer objetos pesados em cima do painel.
 - b) Não despeje água, ácido ou qualquer líquido no painel.
 - c) Não queime nada com fogo no painel.
 - d) Não coloque painelas quentes sobre o aparelho se o mesmo não estiver em utilização.
 - e) Se a superfície (painel) estiver rachada, desligue imediatamente o aparelho para evitar o risco de choque elétrico e devolva-lo à loja IKEA mais próxima.
 - f) Algumas das painelas podem gerar um ruído durante a utilização. Mova ligeiramente os utensílios de cozinha, e o ruído poderá desaparecer ou reduzir. Se tal não acontecer, mude as painelas.
- Não coloque o aparelho sobre carpetes, panos ou materiais de papel durante o funcionamento.
- Não toque no painel enquanto estiver quente. O painel mantém-se quente até que o indicador de calor residual desapareça, mesmo depois de desligada a corrente.
- Não desligue o aparelho da tomada puxando o cabo.
- Desligue o aparelho e permita que o mesmo arrefeça antes de retirar a ficha da tomada. Retire a ficha da tomada se não pretender utilizar o aparelho durante longos períodos de tempo.
- Mantenha as painelas afastadas do aparelho após a utilização.

Como evitar danos no equipamento

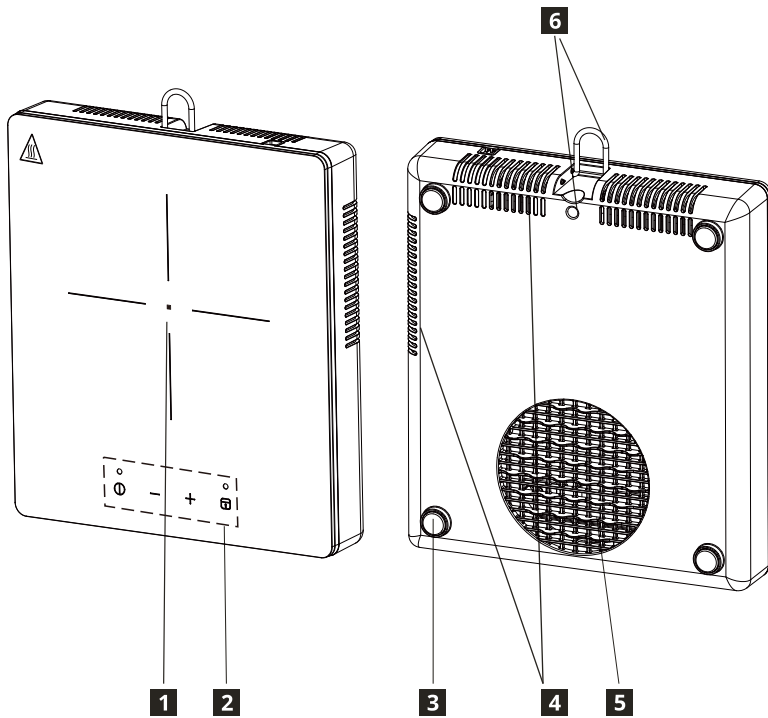
- O vidro cerâmico poderá ser danificado por queda de objetos ou por pancadas de painelas.
- As painelas de ferro fundido, alumínio ou com bases danificadas podem riscar o vidro cerâmico quando deslizarem na superfície.
- O vidro cerâmico pode ser danificado se cair no chão.
- Para evitar danos nos utensílios de cozinha e no vidro cerâmico, não deixe painelas ou frigideiras ferverem em seco.
- Não utilizar as zonas de cozedura com painelas vazias ou sem painelas.
- Nunca alinhar qualquer peça do equipamento com papel de alumínio. Nunca colocar plástico ou qualquer outro material que possa derreter no ou sobre o equipamento.

⚠ AVISO! Manter o equipamento ligado à tomada de energia após a utilização até que o ventilador e o indicador de temperatura se tenha desligado.

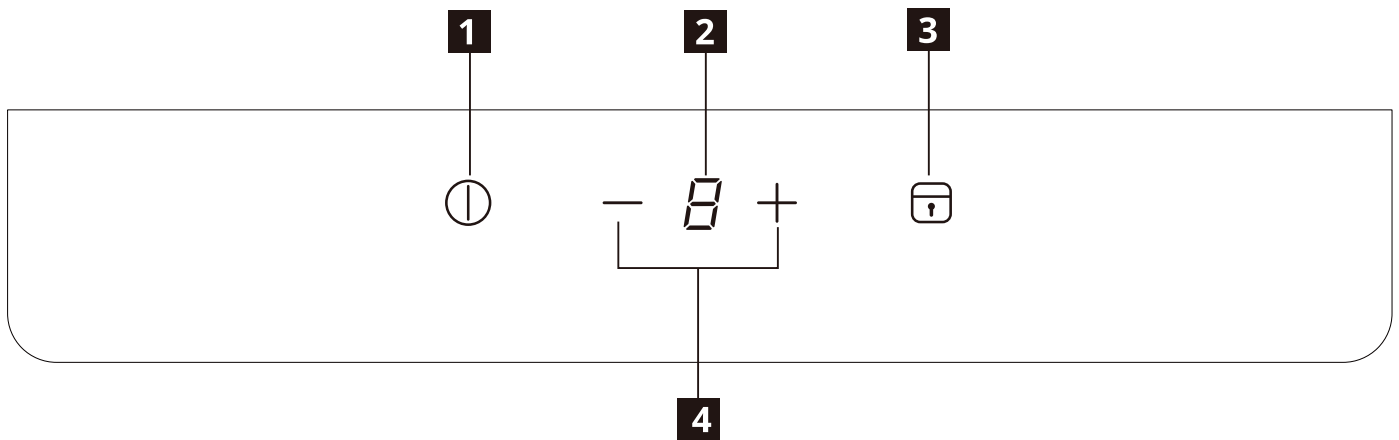
Informações sobre acrilamidas

Importante! De acordo com os últimos conhecimentos científicos, alourar demasiado os alimentos, principalmente os produtos com muito amido, pode constituir um risco para a saúde devido às acrilamida. Portanto, recomendamos cozinhar com temperaturas o mais baixo possíveis e não tostar demasiado os alimentos.

Descrição do Produto



- 1** Zona de aquecimento
Zona de cozedura 170 mm,
2000 W
- 2** Painel de controlo
- 3** Pés de silicone
- 4** Saída de ar
- 5** Entrada de ar
- 6** Gancho



Configuração do painel de controlo

- 1** Ligar/Desligar
- 2** Apresentação do nível de potência
- 3** Bloqueio/bloqueio para crianças
- 4** Definição do nível de potência -/+

Disposição e campos dos sensores Controlo por Toque

A placa de indução é manuseada através do toque nos sensores. As disposições e os sinais sonoros (bip curto) confirmam a seleção de uma função.

Nível de potência	1	2	3	4	5	6	7	8	9
Potência	150 W	250 W	300 W	450 W	600 W	800 W	1100 W	1500 W	2000 W

Indicadores


Panela em falta ou colocada incorretamente

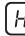
Este símbolo é apresentado se a panela não for adequada à cozedura de indução, se não estiver corretamente posicionada ou se não tiver as dimensões adequadas à zona de cozedura selecionada. Se não for detetada uma panela num espaço de 30 segundos após a seleção, a zona de cozedura desliga-se.

Calor residual

Se o visor indicar "H", a zona de cozedura

ainda se encontra quente. Quando a zona de cozedura arrefece, o visor desliga-se.

⚠ AVISO! Risco de queimaduras devido ao calor residual! Depois de desligar o equipamento, as zonas de cozedura necessitam de algum tempo para arrefecer. Observe o indicador de calor residual .

Utilize o calor residual para derreter ou manter comida quente.
Não desligue o equipamento sem esperar que o  desapareça do monitor.

Utilização diária



Ligar à tomada

1. Depois de inserir a ficha na tomada principal, o bloqueio para crianças será ativado. Prima sem soltar a tecla Bloqueio de Crianças durante 3 segundos para desativar.

Ligar/Desligar

1. Prima a tecla LIGAR/DESLIGAR, o ecrã exibirá "0" como no modo de standby e o indicador de alimentação acende-se. Se não for selecionada uma definição de calor num espaço de 30 segundos, a placa irá desligar-se automaticamente sem premir a tecla LIGAR/DESLIGAR.
2. Ao premir a tecla LIGAR/DESLIGAR durante a operação, a placa desliga-se.



Definição do nível de potência

1. Prima — ou + para controlar o nível de potência durante o funcionamento.
2. Prima —, o nível de potência vai diretamente para "9".
Prima — para diminuir o nível de potência de "9" a "1".
3. Prima +, o nível de potência irá aumentar de "1".
Prima + para aumentar o nível de potência a partir de "1" a "9".



Função de bloqueio

Quando a zona de cozedura está a funcionar, pode bloquear o painel de controlo, por exemplo, para limpar a placa. Evitará alterar acidentalmente a definição do nível de potência. A placa pode ainda ser desligada através do botão Ligar/Desligar.

Ativar o bloqueio

1. Defina o nível de potência pretendido.
2. Prima a tecla de bloqueio durante 3 segundos. A função é ativada quando o indicador da tecla de bloqueio se acende e é emitido um som.

Desativar bloqueio

1. Prima a tecla de bloqueio durante 3 segundos. A função é desativada quando o indicador da tecla de bloqueio se desliga e é emitido um som.
2. O nível de potência voltará à definição anterior.

Função de bloqueio para crianças

Pode também manter o painel de controlo bloqueado quando a placa não estiver a funcionar. Esta função impede uma operação acidental do equipamento.

Ativar o bloqueio para crianças

1. Ative o equipamento com a tecla LIGAR/DESLIGAR. Não defina qualquer nível de potência.
2. Prima a tecla de bloqueio durante 3 segundos. A função é ativada quando o indicador da tecla de bloqueio se acende e é emitido um som.
3. Desative o equipamento com a tecla LIGAR/DESLIGAR.

Desativar o bloqueio para crianças

1. Prima a tecla de bloqueio durante 3 segundos. A função é desativada quando o indicador da tecla de bloqueio se desliga e é emitido um som.

Desativação automática**A função desliga a placa automaticamente se:**

- todas as zonas de cozedura estiverem desligadas.
- não definir o nível de potência num espaço de 30 segundos depois de ligar a placa.
- não desligar a zona de cozedura, não alterar o nível de potência duas horas depois ou em caso de sobreaquecimento (por exemplo, quando uma panela ferve sem água).

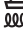
Placa de aquecimento

Regulação do calor	Utilizar para:	Tempo (min)	Sugestões
1	<ul style="list-style-type: none"> • Manter quentes os alimentos cozinhados. 	como necessário	Coloque uma tampa no recipiente.
1-2	<ul style="list-style-type: none"> • Molho holandês, derreter: manteiga, chocolate, gelatina. 	5-25	Mexer de vez em quando.
2-3	<ul style="list-style-type: none"> • Cozinhar pratos à base de arroz e leite, aquecer refeições prontas. 	25-50	Adicionar pelo menos o dobro do líquido do arroz e misturar os pratos de leite a meio do processo.
4-5	<ul style="list-style-type: none"> • Cozinhar a vapor legumes, peixe, carne, batatas. 	20-45	Adicionar uma pequena quantidade de água.
	<ul style="list-style-type: none"> • Cozinhar grandes quantidades de alimentos e guisados. 	60-150	Adicionar uma pequena quantidade de água.
5-6	<ul style="list-style-type: none"> • Fritura ligeira: cordon bleu de vitela, costeletas, rissóis, salsichas, roux, ovos. 	como necessário	Virar a meio.
7-8	<ul style="list-style-type: none"> • Hash browns, bifes. 	5-15	Virar a meio.
9	<ul style="list-style-type: none"> • Ferver água, cozinhar massa, grelhar carne (goulash, assado), fritar batatas fritas. 		

Orientações relativas a panelas**Que panelas utilizar**

Utilize apenas panelas e tachos com um fundo de material ferromagnético que sejam adequadas à utilização em placas de indução:

- Ferro fundido
- Aço esmaltado
- Aço carbono
- Aço inoxidável (embora nem todos os tipos)
- Alumínio com revestimento ferromagnético ou placa ferromagnética

Para saber se uma panela ou tacho é adequada, procure o símbolo  (normalmente gravado no fundo). Também pode aproximar um íman do fundo. Se o íman aderir ao fundo, a panela pode ser utilizada com placas de indução.

Para garantir a máxima eficiência, utilize sempre panelas e tachos de fundo plano, que contribui para a distribuição uniforme do calor. Se o fundo for irregular, a potência e a condução do calor serão afetadas.

Como utilizar

Diâmetro mínimo da base da panela/tacho para áreas de cozedura diferentes

Para garantir que a placa funciona devidamente, a panela deve cobrir um ou mais pontos de referência indicados na superfície da placa e deve possuir um diâmetro mínimo adequado.

Utilize sempre a zona de cozedura que melhor corresponde ao diâmetro da base da panela.

Zona de cozedura	Diâmetro recomendado da zona de cozedura [mm]
Zona de cozedura traseira do meio	120-180

Panelas/tachos vazios ou com fundo fino

Não utilize panelas/tachos vazios ou com fundo fino na placa, uma vez que a mesma não será capaz de monitorizar a temperatura ou de se desligar automaticamente se a temperatura estiver demasiado alta, danificando a panela ou a superfície da placa. Se tal ocorrer, não toque em nada e permita que todos os componentes arrefeçam.

Se for apresentada uma mensagem de erro, consulte a secção "Resolução de problemas".

Dicas e sugestões

Ruído durante a cozedura

Quando uma zona de cozedura está ativa, pode ouvir um ligeiro zumbido. Esta é uma característica de todas as zonas de cozedura de vitrocerâmica e não prejudica o funcionamento ou a durabilidade do aparelho. O ruído depende da panela utilizada. Se causar um incómodo considerável, mudar de panela poderá ajudar.

Ruídos normais de funcionamento da placa de indução

A tecnologia de indução baseia-se na criação de campos eletromagnéticos para gerar calor diretamente no fundo dos utensílios de cozinha. Os tachos e panelas podem causar uma variedade de ruídos ou vibrações, dependendo da forma como são fabricados.

Esses ruídos são descritos a seguir:

Zumbido baixo (como um transformador)

Este ruído é produzido quando se cozinha com um nível de calor elevado. Baseia-se na quantidade de energia transferida da placa de cozinhar para os utensílios de cozinha.

O ruído cessa ou diminui quando o nível de calor é reduzido.

Assobio silencioso

Este ruído produz-se quando o recipiente de cozedura está vazio. Cessa quando líquidos ou alimentos são colocados no recipiente.

Crepitação

Este ruído ocorre em utensílios de cozinha compostos por vários materiais sobrepostos.

É causado pelas vibrações das superfícies onde os diferentes materiais se encontram. O ruído nos utensílios de cozinha pode variar consoante a quantidade de alimentos ou líquidos e o método de cozedura (p. ex., ferver, cozer em lume brando, fritar).

Assobio agudo

Este ruído ocorre quando os utensílios de cozinha são feitos de materiais diferentes, sobrepostos uns aos outros, e quando são utilizados na potência máxima e em duas zonas de cozedura. O ruído cessa ou diminui quando o nível de calor é reduzido.

Estes sons são normais Ruídos de ventoinha

Para o bom funcionamento do sistema eletrónico, é necessário regular a temperatura da placa de cozinhar. Para este efeito, a placa de cozinhar está equipada com uma ventoinha de arrefecimento, que é ativada para reduzir e regular a temperatura do sistema eletrónico. A ventoinha também pode continuar a funcionar depois de o aparelho ser desligado, se a temperatura detetada na placa de cozinhar ainda estiver demasiado elevada depois de a desligar.

Sons rítmicos, semelhantes ao tique-taque de um relógio

Este ruído ocorre apenas quando estão em funcionamento pelo menos três zonas de cozedura e desaparece ou enfraquece quando algumas delas são desligadas.

Os ruídos descritos são um elemento normal da tecnologia de indução e não devem ser considerados como defeitos.

Cuidados e limpeza

⚠ AVISO! Desligue o equipamento e deixe-o arrefecer antes de o desligar.

⚠ AVISO! Desligue o equipamento e deixe-o arrefecer antes de o limpar.

⚠ AVISO! Por razões de segurança, não limpe o equipamento com jato de vapor ou produtos de limpeza de alta pressão.








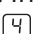
⚠ AVISO! Objetos cortantes e agentes de limpeza abrasivos danificam o equipamento. Limpe o equipamento e remova os resíduos com água e detergente da loiça após cada utilização. Remova também os restos dos agentes de limpeza!

ⓘ Riscos ou manchas escuras no vidro cerâmico que não se conseguem remover não afetam o funcionamento do equipamento.

Remover os resíduos e sujidades mais resistentes:

- Resíduos de alimentos com açúcar, plástico e folha de alumínio devem ser removidos imediatamente e a melhor ferramenta para a limpeza da superfície de vidro é um raspador (não incluído com o equipamento). Coloque um raspador inclinado sobre a superfície de vidro cerâmico e remova os resíduos deslizando a lâmina sobre a superfície. Limpe o equipamento com um pano húmido e um pouco de detergente da loiça. Finalmente, seque o equipamento com um pano limpo.
- As manchas de calcário e de água, salpicos de gordura e descolorações metálicas brilhantes devem ser removidas após o equipamento ter arrefecido utilizando detergente para vidro cerâmico ou para aço inoxidável.

Resolução de problemas

Problema	Causa possível	Solução
O eletrodoméstico não funciona.	Falta de energia elétrica ou curto-circuito na fonte de energia da sua casa.	
	Ligação de energia à tomada executada incorretamente.	Observe a fonte de alimentação da placa para uma correta ligação.
	Passaram mais de 10 segundos desde que o equipamento foi ligado.	Ligue o equipamento novamente.
	O bloqueio para crianças está ligado.	Desative o bloqueio para crianças. (Consulte a secção "Dispositivo de segurança para crianças").
	Vários campos de sensor foram tocados ao mesmo tempo.	Tocar apenas num campo de sensor.
O aparelho deixou de funcionar. Indicação de erro:  → 	A panela não é adequada para placas de indução.	Mude para uma panela adequada para indução.
	Não existem panelas na zona de cozedura ou o diâmetro da panela é inferior a 120 mm.	Coloque uma panela na zona de cozedura.
O aparelho deixou de funcionar. Indicação de erro:  → 	A panela está vazia (ponto de ebulição a seco) ou a temperatura de cozedura está muito alta.	Desligue o aparelho e reinicie-o após 5 minutos. Se o erro E2 persistir, contacte a loja IKEA mais próxima.
	A entrada e saída de ar está a ser bloqueada.	
	Temperatura ambiente é muito alta.	
O aparelho deixou de funcionar. Indicação de erro:  → 	A principal fonte de alimentação é superior a 275 V CA.	Mude para produtos com a fonte de alimentação adequada.
O aparelho deixou de funcionar. Indicação de erro:  → 	A principal fonte de alimentação é inferior a 100 V CA.	Mude para produtos com a fonte de alimentação adequada.

O aparelho deixou de funcionar. Indicação de erro: E → 5	O sensor de temperatura do aparelho não está a funcionar.	Entre em contacto com a loja IKEA mais próxima.
O aparelho deixou de funcionar. Indicação de erro: E → 6		
O aparelho deixou de funcionar. Indicação de erro: E → 0	Exceção interna	Desligue o aparelho e reinicie-o após 5 minutos. Se o erro EO persistir, contacte a loja IKEA mais próxima.

Os códigos de erro são apresentados quando a placa está ligada e é detetado um erro. A letra "E" e os números são apresentados de forma intermitente (1 segundo) e circular.

Se ocorrer um erro, tente resolvê-lo seguindo as orientações da resolução de problemas. Se não conseguir resolver o problema, contacte a loja IKEA mais próxima.

ⓘ Se utilizou o equipamento de forma errada, o comerciante poderá não deslocar-se de forma gratuita, mesmo durante o período de garantia.

Dados técnicos

Modelo	14CP12301
Tipo de placa	Placa de indução autónoma
Número de zonas e/ou áreas de cozedura	1
Potência nominal	2000 W
Tensão nominal	220-240 V~
Frequência nominal	50-60 Hz
Profundidade	305 mm
Largura	270 mm
Altura	62 mm
Peso líquido	2,33 kg

Número de série
(código de 22 dígitos
que começa com "SN")
Número do artigo
(código de 8 dígitos)

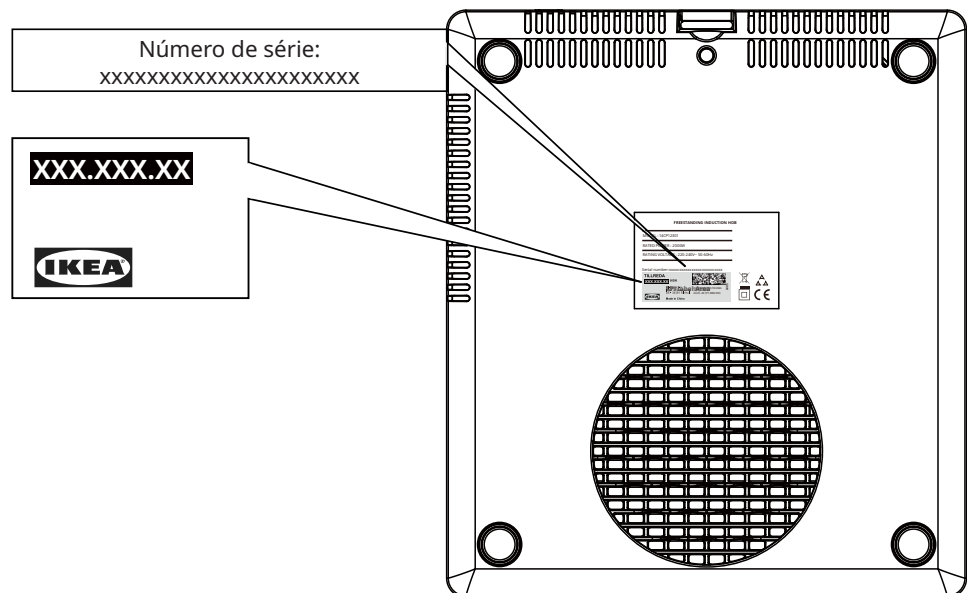



Imagem apenas para referência

Eficiência energética

Identificação do modelo	14CP12301
Tipo de placa	Aparelho portátil
Número de zonas de cozedura	1
Tecnologia de aquecimento	Indução
Diâmetro das zonas de cozedura circulares (Ø)	170 mm
Consumo energético por zona de cozedura (CE da cozedura elétrica)	184 Wh/kg
Consumo energético da placa (CE da placa elétrica)	184 Wh/kg
Informações sobre o produto relativas ao consumo de energia e ao tempo necessário para atingir o modo de baixo consumo aplicável	modo desligado: 0,5 W
Tempo máximo necessário para atingir o modo de baixo consumo aplicável	5 segundos
Diretiva 2009/125/CE, REGULAMENTO DA COMISSÃO (UE) N.º 66/2014, EN 60350-2:2018+A1:2021.	

Questões ambientais


Eliminação de eletrodomésticos

O símbolo  no produto ou na embalagem indica que este produto não pode ser tratado como lixo doméstico. Em vez disso, deve ser levado para o respetivo ponto de recolha para a reciclagem de equipamentos elétricos e eletrónicos. Ao assegurar a eliminação correta deste produto, estará a proteger o ambiente e a saúde humana contra riscos potencialmente negativos. Para mais informações detalhadas sobre a reciclagem deste produto, entre em contacto com o conselho local, o serviço de recolha de lixo doméstico ou a loja onde adquiriu o produto.

⚠ AVISO! Execute estes passos para se desfazer do equipamento:

- Retire a ficha da tomada da rede elétrica.
- Corte o cabo de alimentação e descarte-o.

Eliminação da embalagem

Os materiais com o símbolo  são recicláveis. Descarte a embalagem num recipiente de recolha adequado para reciclá-lo.

Poupança de energia

- Se possível, coloque sempre tampas nos recipientes.
- Coloque a panela na zona de cozedura antes de a ligar.
- O fundo do recipiente deve ser o mais espesso e plano possível.

Garantia IKEA

Qual o prazo de validade da Garantia IKEA?

Esta garantia é válida durante 2 anos a partir da data da compra original do seu eletrodoméstico na IKEA, a não ser que seja especificado de outra forma na legislação nacional. Aceda a IKEA.com para saber o que é aplicável no seu país.

A fatura ou talão de compra original é necessário como prova de compra. Se for realizada uma assistência ao abrigo da garantia, tal não irá aumentar o período de garantia do eletrodoméstico.

Quem irá realizar o serviço de assistência?

Contacte a loja IKEA mais próxima.

O que cobre esta garantia?

A garantia cobre as avarias do aparelho causados por uma construção ou materiais defeituosos, que se verifiquem a partir da data da compra na IKEA.

Esta garantia aplica-se a uma utilização exclusivamente doméstica.

As exceções estão especificadas na secção "O que não está coberto por esta garantia?" Dentro do período da garantia, estão cobertos os custos associados à correção da avaria, por exemplo, peças, mão de obra e deslocações, desde que o aparelho possa ser reparado sem despesas especiais. As peças substituídas passarão a ser propriedade da IKEA.

O que fará a IKEA para corrigir o problema?

A IKEA irá examinar o produto e decidir, a seu exclusivo critério, se está coberto por esta garantia. Em caso afirmativo, a IKEA irá então, segundo o seu critério, decidir se reparará o produto defeituoso ou o substituirá por outro igual ou equivalente.

O que não está coberto por esta garantia?

- O desgaste e deterioração normais.
- Danos deliberados ou negligentes, danos provocados pelo não cumprimento das instruções de utilização, instalação incorrecta ou ligação a uma voltagem incorrecta, danos causados por uma reacção química ou electroquímica, oxidação, corrosão ou danos causados pela água, incluindo, mas sem limitar, os danos causados por excesso de calcário na água fornecida, danos provocados por condições ambientais anormais.
- Consumíveis, incluindo pilhas e lâmpadas.

- Peças não funcionais e decorativas que não afetam a utilização normal do eletrodoméstico, incluindo riscos e possíveis diferenças de cor.
- Danos acidentais causados por objetos estranhos ou substâncias e pela limpeza ou desobstrução de filtros, sistemas de drenagem ou gavetas de detergente.
- Danos causados nas seguintes peças: vidro cerâmico, acessórios, cestos de loiça e talheres, tubos de alimentação e drenagem, vedantes, lâmpadas e coberturas de lâmpadas, visores, botões, revestimentos e partes de revestimentos protetores. A menos que seja possível demonstrar que tais danos foram provocados por defeitos de fabrico.
- Reparações não efetuadas pelos nossos prestadores de serviço e/ou por um agente autorizado ou quando não tenham sido usadas peças originais.
- Reparações provocadas por uma instalação incorreta ou que não cumpra as especificações de instalação.
- Utilização do equipamento num ambiente não doméstico, isto é, profissional.
- Danos de transporte. Se o cliente transportar o produto para casa ou para qualquer outro endereço, a IKEA não poderá ser responsabilizada por eventuais danos que possam ocorrer durante o transporte. No entanto, se a IKEA efetuar a entrega do produto na morada do cliente, os eventuais danos provocados durante essa entrega serão abrangidos pela garantia IKEA.
- Gastos na realização da instalação inicial do equipamento IKEA. No entanto, se um agente ou parceiro autorizado da IKEA reparar ou substituir o aparelho de acordo com os termos desta garantia, o agente ou parceiro autorizado irá instalar novamente o aparelho reparado ou instalar um aparelho de substituição, se necessário.

Como se aplica a legislação nacional?

A garantia IKEA confere-lhe direitos legais específicos, que cobrem ou se sobrepõem a todas as exigências legais locais. No entanto, estas condições não limitam, de forma alguma, os direitos do consumidor descritos na legislação nacional.

Área de validade

Para aparelhos adquiridos num país da UE e levados para outro país da UE, os serviços serão prestados no âmbito das condições da garantia normais no novo país. A obrigação de prestar serviços no âmbito da garantia existe apenas se o aparelho cumprir e for instalado de acordo com:

- as especificações técnicas do país no qual é efetuada a reclamação da garantia;
- as Instruções de Instalação e a Informação de Segurança do Manual do Utilizador.

Serviço Pós-Venda para equipamentos IKEA

Não hesite em contactar a IKEA para:

- solicitar serviços ao abrigo desta garantia;
- solicitar um esclarecimento relativo às funcionalidades dos equipamentos IKEA.

Para garantir que lhe proporcionamos a melhor assistência, por favor, antes de contactar connosco leia atentamente as Instruções de Instalação e/ou o Livro de Instruções de utilização.

Como contactar-nos, se necessitar do nosso serviço?



O Serviço de Apoio ao Cliente pós venda da IKEA ajudá-lo-á pelo telefone com problemas básicos do seu equipamento no momento da solicitação de serviço. Consulte o catálogo IKEA ou visite www.ikea.com para encontrar o número de telefone e horário de abertura da sua loja local.

Para lhe proporcionarmos um serviço mais rápido, por favor, refira sempre o número de artigo IKEA (8 algarismos) que se encontra na chapa de identificação do seu equipamento.

GUARDE A FATURA OU TALÃO DE COMPRA!

Este é o comprovativo da sua compra e é necessário para aplicação da garantia. A fatura ou talão de compra indica igualmente o nome e o número de artigo (código de 8 dígitos) IKEA de cada equipamento que adquiriu.

Necessita de ajuda adicional?

Para quaisquer esclarecimentos adicionais não relacionados com Pós-Venda sobre os seus equipamentos, por favor, contacte o callcenter da sua loja IKEA. Recomendamos que leia atentamente a documentação do equipamento antes de nos contactar.

Cuprins

Informații privind siguranța	241	Îngrijirea și curățarea	249
Instrucțiuni referitoare la siguranță	242	Depanare	249
Descrierea produsului	245	Date tehnice	250
Indicatori	246	Eficiența energetică	251
Utilizare zilnică	246	Aspecte referitoare la mediu	251
Tabel cu instrucțiuni de gătit	247	Garanție IKEA	252
Ghid pentru vase	247		

Informații privind siguranța

ⓘ Pentru siguranța dumneavoastră și funcționarea corectă a aparatului, citiți cu atenție acest manual înainte de instalare și utilizare. Păstrați întotdeauna aceste instrucțiuni împreună cu aparatul, chiar dacă vă mutați sau îl vindeți. Utilizatorii trebuie să cunoască în totalitate caracteristicile funcționale ale aparatului și pe cele referitoare la siguranță.

Utilizarea corectă

- Nu lăsați aparatul nesupravegheat în timpul funcționării.
- Aparatul este destinat exclusiv pentru uz casnic.
- Aparatul este destinat exclusiv pentru utilizarea în interior.
- Aparatul nu trebuie să fie utilizat ca suprafață de lucru sau ca suprafață de depozitare.
- Nu așezați și nu depozitați lichide inflamabile, materiale extrem de inflamabile sau obiecte care s-ar putea topi (de exemplu, folie de plastic, material plastic, aluminiu), în aparat sau în apropierea lui.
- Dați dovadă de precauție atunci când conectați aparate electrice la prizele din apropiere. Nu lăsați cablul de conectare să intre în contact cu aparatul sau vesela fierbinte sau să fie prins sub acestea.
- Nu efectuați reparațiile dvs. înșivă - evitați astfel accidentările și deteriorarea aparatului. Contactați întotdeauna cel mai apropiat magazin IKEA.

Siguranța copiilor și a persoanelor vulnerabile

- Acest aparat poate fi utilizat de către copii cu vârsta minimă de 8 ani și de către

persoanele cu capacități fizice, senzoriale sau mentale reduse sau fără experiență și cunoștințe în cazul în care acestea sunt supravegheate sau au fost instruite cu privire la utilizarea aparatului într-un mod sigur și înțeleg pericolele pe care aparatul le comportă.

- Nu lăsați ambalajele la îndemâna copiilor. Există pericolul de sufocare.
- Nu lăsați copiii să se apropie de aparat nici atunci când acesta este în funcțiune și nici atunci când nu este pornit.
- Copiii cu vârsta mai mică de 8 ani trebuie să stea la distanță de aparat, cu excepția cazului în care sunt supravegheați continuu.
- Copiii nu trebuie să se joace cu aparatul. Curățarea și întreținerea aparatului nu trebuie să fie realizate de copii nesupravegheați.

⚠ **AVERTIZARE!** Activați blocarea copilului pentru a evita pornirea neintenționată a aparatului pentru copii mici și animale de companie.

Siguranța generală

- Păstrați libere și neobstrucționate deschiderile de ventilație din carcasa aparatului sau din structura încorporată.
- Nu atingeți panoul atunci când indicatorul de căldură reziduală este încă aprins pentru a evita astfel accidentările.
- Nu introduceți nici un obiect în plita cu inducție în timpul funcționării, pentru a evita astfel electrocutarea.
- Nu înfășurați cablul în jurul gâtului, pentru a evita astfel pericolul de strangulare.
- Nu trebuie să se utilizeze un aparat de curățat cu aburi pentru a curăța aparatul.

- Obiectele de metal, de ex. cuțitele, furculițele, lingurile și capacele nu trebuie puse pe suprafața plitei, deoarece se pot înfierbânta.
- După utilizare, opriți lementul plitei cu ajutorul butonului și nu lăsați această operațiune în sarcina detectorului de vase.
- Aparatul nu este destinat acționării utilizării prin intermediul unui temporizator extern sau al unui sistem de comandă de la distanță separat.
- Aveți grijă să nu atingeți elementele de încălzire.
- În cazul în care cablul de alimentare a suferit deteriorări, este necesară înlocuirea sa de către producător, de către centrul de asistență tehnică autorizat sau de către persoane de competență echivalentă, pentru a se evita pericolele. Contactați cel mai apropiat magazin IKEA.
- Acest aparat este destinat utilizării în medii domestice și alte locuri similare precum:
 - bucătării ale personalului din magazine, birouri și alte medii de lucru;
 - ferme;
 - de către clienți în hoteluri, moteluri și alte medii de tip rezidențial;
 - medii de tip cazare și mic dejun.

⚠ ATENȚIE: suprafață fierbinte. Suprafețele se înfierbântă în timpul utilizării.

⚠ AVERTIZARE! Dacă suprafața este crăpată, opriți aparatul pentru a evita riscul de electrocutare. Contactați cel mai apropiat magazin IKEA.

⚠ AVERTIZARE! Aparatul și părțile sale accesibile devin fierbinți pe durata utilizării.

⚠ AVERTIZARE! În cazul în care lăsați mâncarea cu ulei sau grăsime nesupravegheată pe o plită, pot apărea pericole și puteți provoca incendii. Nu încercați NICIODATĂ să stingeți focul cu apă, ci opriți aparatul și apoi acoperiți flacăra cu o pătură antifoc sau un capac.

Instrucțiuni referitoare la siguranță

Instalarea

- Fabricantul nu este răspunzător pentru nicio vătămare a persoanelor sau animalelor de companie sau pentru daune materiale cauzate de nerespectarea următoarelor cerințe.
- ⚠ **ATENȚIE!** Pentru a efectua instalarea, citiți Informațiile referitoare la siguranță.
- ⚠ **AVERTIZARE!** Procesul de instalare trebuie să respecte legile, reglementările, directivele și standardele (normele și reglementările privind siguranța produselor electrice, reciclarea corectă în conformitate cu reglementările, etc.) care sunt în vigoare în țara de utilizare a aparatului!
- Evitați instalarea aparatului lângă uși și sub ferestre, deoarece vasele de gătit fierbinți pot cădea de pe plită atunci când ușile sau ferestrele se deschid.
- Asigurați-vă că aparatul nu a fost deteriorat din cauza transportului. Nu conectați un aparat deteriorat.
- Nu instalați aparatul dacă a fost deteriorat în timpul transportului.
- Nu conectați plita cu prelungitoare electrice și nu așezați plita astfel încât cablul să treacă prin zone unde se lucrează.
- Nu schimbați specificațiile și nu modificați acest produs. Pericol de accidentare și de deteriorare a aparatului.
- ⚠ **AVERTIZARE!** Respectați cu grijă instrucțiunile pentru conexiunile electrice.

Conexiuni electrice

- Înainte de conectare, verificați dacă tensiunea nominală a aparatului indicată pe plăcuța cu parametri corespunde cu tensiunea de alimentare disponibilă. De asemenea, verificați puterea nominală a aparatului și asigurați-vă că instalația

electrică a locuinței este dimensionată corespunzător pentru a se potrivi cu puterea nominală a aparatului (consultați capitolul Date tehnice).

- Plăcuța cu parametri se află pe partea inferioară a carcasei plitei.

⚠ **AVERTIZARE!** Pericol de accidentare din cauza curentului electric.

- Conexiunile de ștecăr și priză slăbite și inadecvate pot produce supraîncălzirea terminalului.

Înainte de utilizare:

Vă rugăm să luați în considerare următoarele instrucțiuni înainte de utilizare.

- Utilizați priza electrică standard de alimentare, principală și verificați periodic priza pentru a evita o eventuală deteriorare.
- Nu deschideți aparatul de unul singur și nu permiteți deschiderea acestuia de către o persoană necalificată. Reparați aparatul numai de un agent de service sau de un tehnician calificat în mod similar.
- Verificați cablul de alimentare și ștecărul. În cazul în care cablul de alimentare sau ștecărul este deteriorat, vă rugăm să nu utilizați aparatul. Nu scoateți ștecărul cu mâinile ude.
- Nu utilizați cablul de alimentare de prelungire și trebuie să folosiți numai priza electrică principală de alimentare.
- Dacă aparatul nu este utilizat pentru o perioadă lungă de timp, vă rugăm mai întâi să porniți aparatul pentru a stabiliza componenta electronică timp de 10 minute. Apoi, puteți începe să utilizați aparatul.
- Nu utilizați aparatul în apropierea apei, focului sau a unei zone umede. Aparatul este destinat utilizării NUMAI în gospodării interioare.
- Înainte de utilizare, îndepărtați toate ambalajele, autocolantele și pelicula de pe aparat.
- Opriți funcționarea tuturor zonele de gătit după fiecare utilizare, cu ajutorul butoanelor respective, și nu vă bazați pe detectorul de vase de gătit.

- Pericol de arsuri! Nu așezați obiecte din metal, precum cuțite, furculițe, linguri și capace de cratițe pe suprafața de gătit, fiindcă aceste vor deveni fierbinți.

⚠ **AVERTIZARE!** Pericol de incendiu! Grăsimile și uleiurile supraîncălzite se pot aprinde foarte repede.

⚠ **AVERTIZARE!** Utilizatorii cu stimulatori cardiace implantate trebuie să păstreze o distanță de cel puțin 30 cm între partea de sus a corpului lor și zonele de gătit cu inducție care sunt în funcțiune.

⚠ **AVERTIZARE!** Nu folosiți aparatul cu mâinile ude și păstrați în stare uscată suprafața panoului de comandă. Dacă există multă apă pe tastele panoului de comandă, atunci acestea nu mai funcționează.

⚠ **AVERTIZARE!** Dacă suprafața este crăpată, opriți aparatul, pentru a evita posibilitatea electrocutării.

În timpul utilizării și după aceea:

Vă rugăm să luați în considerare instrucțiunea următoare, pentru a evita aprinderea și accidentele.

- Așezați aparatul NUMAI pe o suprafață plană și solidă.
- Supravegheați copiii pentru a vă asigura că aceștia nu se joacă cu aparatul.
- Nu așezați următoarele obiecte pe panou în timpul funcționării aparatului.
 - a) Oțel inoxidabil
 - b) Fier
 - c) Fontă
 - d) Aluminiu
 - e) Capace și obiecte din email
 - f) Cuțite, furculițe sau linguri
 - g) Placa este din fier, oțel inoxidabil, fontă sau aluminiu
 - h) Vase de gătit goale
- Nu purtați și nu mutați aparatul cu vase deasupra, în timpul încălzirii.
- Păstrați un mediu ambiant corespunzător pentru ventilație în timpul încălzirii.
- Nu introduceți niciun obiect de sârmă sau metal în orificiul de admisie a aerului

- sau în orificiul de evacuare a aerului al aparatului.
- Cum protejați panoul.
 - a) Nu lăsați să cadă obiecte grele pe panou.
 - b) Nu turnați apă, acid și niciun fel de lichide pe panou.
 - c) Nu ardeți cu foc niciun obiect pe panou.
 - d) Nu așezați vase fierbinți deasupra când aparatul nu este în uz.
 - e) Dacă suprafața (panoul) este crăpată, opriți imediat aparatul pentru a evita electrocutarea și reveniți la cel mai apropiat magazin IKEA.
 - f) Unele vase de gătit pot genera zgomot în timpul utilizării. Deplasați puțin vasele și zgomotul poate dispărea sau se va reduce. Dacă nu se întâmplă așa, înlocuiți vasele.
 - Nu așezați aparatul pe covoare, pânză sau hârtie în timpul funcționării.
 - Nu atingeți panoul atunci când este fierbinte. Panoul este încă fierbinte până când indicatorul de căldură reziduală se stinge, chiar dacă alimentarea electrică este oprită.
 - Nu deconectați aparatul trăgând de cablu.
 - Vă rugăm să opriți aparatul și să-l lăsați să se răcească înainte de scoaterea din priză. Vă rugăm să deconectați cablul de alimentare atunci când aparatul va fi utilizat pentru perioadă lungă de timp.
 - Țineți vasele departe de aparat după utilizare.

Cum evitați deteriorarea aparatului

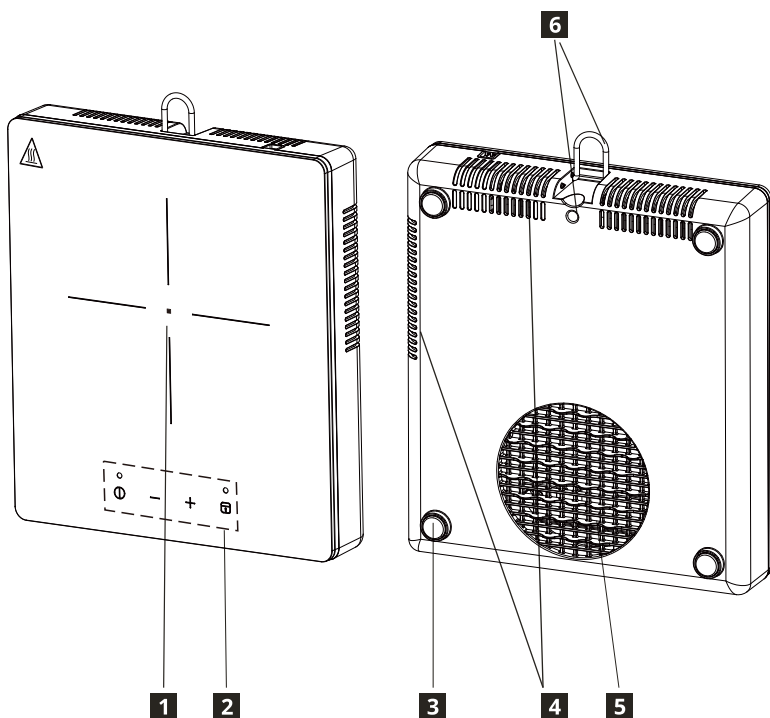
- Placa vitroceramică poate fi deteriorată de obiectele care cad pe ea sau dacă este lovită de vasele de gătit.
- Vasele de gătit din fontă, aluminiu turnat sau care au fundul deteriorat pot zgâria placa vitroceramică dacă sunt deplasate prin alunecare pe suprafața acesteia.
- Placa vitroceramică poate fi de asemenea deteriorată dacă este lăsată să cadă pe podea.
- Pentru a evita deteriorarea vaselor de gătit și plăcii vitroceramice, nu lăsați cratițele sau tigăile să fie încălzite fără apă.
- Nu folosiți zonele de gătit cu vase de gătit goale sau fără vase de gătit.
- Nu înveliți nicio parte a aparatului cu folie de aluminiu. Nu puneți niciodată material plastic sau orice alt material care se poate topi în aparat sau pe aparat.

⚠ AVERTIZARE! După utilizare, lăsați produsul conectat la priză, până când ventilatorul și indicatorul termic se opresc.

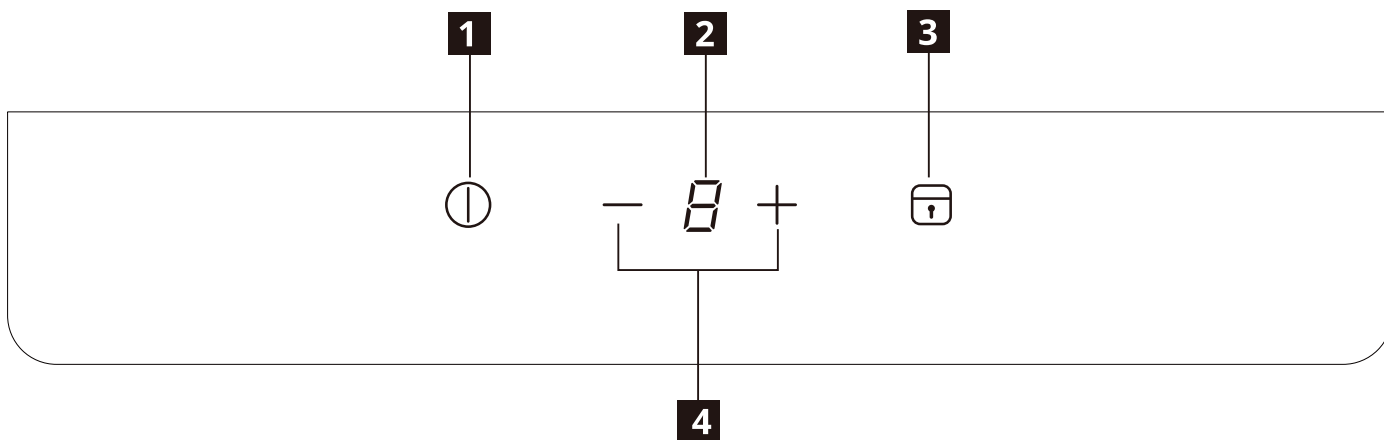
Informații privind acrilamidele

Important! Conform celor mai recente descoperiri științifice, rumenirea intensă a alimentelor, în special în produsele care conțin amidon, poate constitui un pericol pentru sănătate din cauza acrilamidelor. Prin urmare, vă recomandăm să gătiți la cele mai mici temperaturi posibile și să nu rumeniți alimentele prea mult.

Descrierea produsului



- 1** Zonă de încălzire
Zonă de gătit 170 mm, 2000 W
- 2** Panou de comandă
- 3** Picioare din silicon
- 4** Evacuare aer
- 5** Admisie aer
- 6** Cârlig pentru agățare



Configurația panoului de comandă

- 1** Pornit/Oprit
- 2** Afișajul nivelului de putere
- 3** Blocare/ Blocare de siguranță pentru copii
- 4** Setarea nivelului de putere - / +

Câmpuri cu senzori de control tactil și afișări

Utilizați plita atingând câmpurile cu senzori.

Afișările și semnalele acustice (bip scurt) confirmă selectarea unei funcții.

Nivelul de putere	1	2	3	4	5	6	7	8	9
Putere	150 W	250 W	300 W	450 W	600 W	800 W	1100 W	1500 W	2000 W

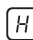
Indicatori


Vas poziționat greșit sau absent

Acest simbol apare dacă vasul nu este potrivit pentru gătit prin inducție, nu este poziționat corect sau nu are o dimensiune adecvată pentru zona de gătit selectată. Dacă nu se detectează niciun vas în decurs de 30 de secunde de la efectuarea selecției, zona de gătit se oprește.

Căldură reziduală

Dacă pe afișaj apare „H”, zona de gătit este încă fierbinte. Când zona de gătit se răcește, afișajul se stinge.

⚠ AVERTIZARE! Pericol de arsuri din cauza căldurii reziduale! După ce opriți aparatul, zonele de gătit au nevoie de un anumit timp ca să se răcească. Urmăriți indicatorul de căldură reziduală .

Utilizați căldura reziduală pentru topirea alimentelor și păstrarea lor în stare caldă. Nu deconectați produsul fără a aștepta ca  să dispară de pe afișaj.

Utilizare zilnică



Conectarea la priză

- După ce introduceți ștecărul în priza de alimentare principală, siguranța de blocare pentru protecția copiilor va fi activată. Apăsați și mențineți apăsată tasta de blocare pentru protecția copiilor timp de 3 secunde pentru a dezactiva blocarea.

Pornit/Oprit

- Apăsați tasta PORNIT/OPRIT, pe ecran se va afișa „0” la fel ca în regimul de așteptare și indicatorul luminos de alimentare se va aprinde. Dacă nu este selectată nicio setare de căldură în decurs de 30 de secunde, plita se va opri automat fără a apăsa butonul PORNIT/OPRIT.
- Apăsați tasta PORNIT/OPRIT în timpul funcționării, iar plita se va opri.



Setarea nivelului de putere

- Apăsați — sau + pentru a controla nivelul de putere în timpul funcționării.
- Apăsați —, nivelul de putere va ajunge direct la „9”.
Apăsați — pentru a reduce nivelul de putere de la „9” la „1”.
- Dacă apăsați +, nivelul de putere va crește de la „1”.
Apăsați + pentru a mări nivelul de putere de la „1” la „9”.



Funcția de blocare

Când zona de gătit funcționează, puteți bloca panoul de control, de exemplu pentru a curăța plita. Aceasta împiedică schimbarea accidentală a setării nivelului de putere. Plita poate fi totuși oprită cu ajutorul butonului Pornit/Oprit.

Activarea blocării

- Setați nivelul de putere dorit.
- Apăsați tasta Blocare timp de 3 secunde. Funcția este activată atunci când indicatorul cheie de blocare este aprins și este emis un sunet.

Dezactivarea blocării

- Apăsați tasta Blocare timp de 3 secunde. Funcția este dezactivată atunci când indicatorul butonului Blocare se stinge și se emite un sunet.
- Nivelul de putere va reveni la setarea anterioară.

Funcția de blocare pentru copii

De asemenea, puteți menține panoul de comandă blocat atunci când plita nu funcționează. Această funcție previne acționarea accidentală a aparatului.

Activarea blocării pentru copii

- Activați aparatul cu tasta PORNIT/OPRIT. Nu setați niciun nivel de putere.
- Apăsați tasta Blocare timp de 3 secunde. Funcția este activată atunci când indicatorul cheie de blocare este aprins și este emis un sunet.
- Dezactivați aparatul cu tasta PORNIT/OPRIT.

Dezactivarea blocării pentru copil

1. Apăsăți tasta Blocare timp de 3 secunde. Funcția este dezactivată atunci când indicatorul butonului Blocare se stinge și se emite un sunet.

Oprirea automată

Această funcție oprește automat plita în cazul în care:

- toate zonele de gătit sunt oprite.
- Nu setați nivelul de putere după pornirea plitei în decurs de 30 de secunde.
- Nu opriți o zonă de gătit sau nu modificați nivelul de putere după 2 ore sau dacă se produce supraîncălzirea (de ex. când o tavă fierbe uscată).


Tabel cu instrucțiuni de gătit

Setare căldură	Utilizați pentru:	Timp (min)	Sugestii
1	• Păstrați mâncarea gătită caldă.	după caz	Puneți un capac pe vasul de cătit.
1-2	• Pentru sos olandez, topiți: unt, ciocolată, gelatină.	5-25	Amestecați din când în când.
2-3	• Fierbeți la foc mic orez și feluri de mâncare pe bază de lapte, respectiv încălziți felurile de mâncare gata preparate.	25-50	Adăugați lichid în cantitate de cel puțin de două ori mai mare decât cea de orez și amestecați felurile de mâncare pe bază de lapte la jumătatea timpului.
4-5	• Gătiți la abur legume, pește, carne, cartofi.	20-45	Adăugați o cantitate mică de apă.
	• Gătiți cantități mai mari de alimente, tocănițe.	60-150	Adăugați o cantitate mică de apă.
5-6	• Frigeți ușor: cordon bleu de vită, cotlete, chiftele, sosuri, rântaș, ouă.	după caz	Întoarceți la jumătatea timpului.
7-8	• Crochete de cartofi, steak-uri.	5-15	Întoarceți la jumătatea timpului.
9	• Fierbeți apă, preparați paste, frigeți la temperatură înaltă carne (gulaș, friptură înăbușită), prăjiți cartofi.		

Ghid pentru vase**Ce vase să folosiți**

Utilizați numai oale și tigăi cu fundul realizat din material feromagnetic care sunt potrivite pentru utilizarea cu plite de inducție:

- Fontă
- Oțel emailat
- Oțel carbon
- Oțel inoxidabil (deși nu toate)
- Aluminiu cu înveliș feromagnetic sau placă feromagnetică

Pentru a determina dacă un vas sau o tigaie este potrivită, verificați simbolul  (de obicei ștampilat în partea de jos). De asemenea, puteți ține un magnet în partea de jos. Dacă se lipește de partea inferioară, vasele vor funcționa pe o plită de inducție.

Pentru a asigura o eficiență optimă, utilizați întotdeauna oale și tigăi cu fund plat care distribuie uniform căldura. Dacă partea inferioară este neuniformă, aceasta va afecta puterea și conductivitatea căldurii.

Mod de utilizare

Diametrul minim al bazei de oală/tigaie pentru diferitele zone de gătit

Pentru a vă asigura funcționarea corespunzătoare a plitei, vasul trebuie să acopere unul sau mai multe puncte de interferență indicate pe suprafața plitei și trebuie să aibă un diametru minim adecvat.

Utilizați întotdeauna zona de gătit care corespunde cel mai bine diametrului fundului tăvii.

Zona de gătit	Diametrul recomandat al vaselor [mm]
Zona de gătit de la mijloc din spate	120-180

Vase/tigăi goale sau subțiri

Nu folosiți vase/tigăi goale sau subțiri pe plită, deoarece nu veți putea monitoriza temperatura sau opri automat dacă temperatura este prea mare, deteriorând tigaia sau suprafața plitei. Dacă se întâmplă acest lucru, nu atingeți nimic și așteptați ca toate componentele să se răcească.

Dacă apare un mesaj de eroare, consultați „Depanare”.

Sugestie/sfaturi

Zgomot în timpul gătitului

Când o zonă de gătit este activă, aceasta poate zumzâi scurt. Aceasta este o caracteristică a tuturor zonelor de gătit din sticlă ceramică și nu afectează funcționarea sau durata de viață a aparatului. Zgomotul depinde de vasele folosite. Dacă devine foarte deranjant, schimbarea vaselor ar fi o soluție.

Zgomote de funcționare normale ale plitei cu inducție

Tehnologia de inducție se bazează pe generarea de câmpuri electromagnetice pentru a produce căldură direct pe fundul vasului de gătit. Oalele și tigăile pot cauza o varietate de zgomote sau vibrații în funcție de modul în care sunt fabricate.

Aceste zgomote sunt descrise mai jos:

Zumzet slab (precum un transformator de curent)

Acest zgomot este produs atunci când se gătește la un nivel ridicat de căldură. Are drept cauză cantitatea de energie transferată de la plită la vasul de gătit. Zgomotul încetează sau se diminuează când nivelul de putere este redus.

Șuierat slab

Acest zgomot este produs atunci când vasul de gătit este gol. Încetează de îndată ce se introduc lichide sau alimente în vas.

Pârâitură

Acest zgomot se produce în cazul vaselor de gătit realizate din diferite materiale dispuse în straturi succesive.

Este cauzat de vibrațiile suprafețelor de întâlnire ale diferitelor materiale. Zgomotul se produce pe vasul de gătit și poate varia în funcție de cantitatea de aliment sau de lichid și de metoda de gătit (de ex. fierbere, fierbere la foc mic, prăjire).

Șuierat puternic

Acest zgomot se produce cu vase de gătit realizate din diferite materiale dispuse în straturi succesive și, în plus, când acestea sunt utilizate la putere maximă și, de asemenea, pe cele două zone de gătit. Zgomotul încetează sau se diminuează când nivelul de putere este redus.

Aceste sunete sunt sunete normale ale ventilatorului

Pentru funcționarea adecvată a sistemului electronic, este necesară reglarea temperaturii plitei. Pentru aceasta, plita este echipată cu un ventilator de răcire, care se activează pentru a reduce și regla temperatura sistemului electronic. Ventilatorul poate continua să funcționeze și când aparatul este oprit dacă detectează că temperatura plitei este încă prea ridicată după oprire.

Sunete ritmate, asemănătoare cu ticăitul unui ceas

Acest sunet se produce numai când cel puțin trei zone de gătit sunt în funcțiune și dispăre sau se diminuează când unele dintre acestea sunt oprite. Sunetele descrise constituie un aspect normal al tehnologiei inducției și nu trebuie considerate a fi defecțiuni.

Îngrijirea și curățarea

⚠️ AVERTIZARE! Opriți aparatul și lăsați-l să se răcească înainte de a îl deconecta.

⚠️ AVERTIZARE! Opriți aparatul și lăsați-l să se răcească înainte de a îl curăța.

⚠️ AVERTIZARE! Din motive de siguranță, nu curățați aparatul cu jet de aburi sau cu dispozitive de curățare de înaltă presiune.

⚠️ AVERTIZARE! Obiectele ascuțite și agenții de curățare abrazivi vor deteriora aparatul. Curățați aparatul și îndepărtați reziduurile cu apă și lichid de spălat după fiecare utilizare. Îndepărtați, de asemenea resturile de agenți de curățare!

ⓘ Zgârieturile sau petele întunecate de pe vitroceramică care nu pot fi eliminate nu afectează funcționarea aparatului.

Îndepărtarea reziduurilor și a resturilor persistente:

- Alimentele care conțin zahăr, resturi de materiale plastice, de staniol, trebuie să fie îndepărtate imediat, cel mai bun instrument pentru curățarea suprafeței de sticlă fiind o racletă (nu este inclusă între accesoriile aparatului). Poziționați o racletă în unghi pe suprafața vitroceramică și îndepărtați reziduurile deplasând prin alunecare lama pe suprafață. Ștergeți aparatul cu o cârpă umedă și puțin detergent lichid. În final, uscați prin frecare aparatul folosind o cârpă curată.
- Inelele de calcar, inelele de apă, stropii de grăsime, decolorările metalice strălucitoare, trebuie să fie îndepărtate după ce aparatul s-a răcit, folosind un agent de curățare pentru vitroceramică sau oțel inoxidabil.

Depanare

Problemă	Cauza posibilă	Soluția
Aparatul nu funcționează.	Lipsește tensiunea electrică sau există un scurtcircuit la sursa de alimentare din locuința dvs.	
	Conectarea la priza de alimentare nu s-a efectuat în mod corespunzător.	Verificați alimentarea plitei pentru a stabili dacă conectarea este corectă.
	Au trecut mai mult de 10 secunde de când aparatul a fost pornit.	Porniți din nou aparatul.
	Blocarea copilului este pornită.	Dezactivați blocarea copilului. (Consultați secțiunea „Dispozitiv de siguranță pentru protecția copiilor”).
	Mai multe câmpuri cu senzori au fost atinse în același timp.	Atingeți un singur câmp cu senzori.
Aparatul nu mai funcționează. Eroare indicație: → .	Vasele nu sunt potrivite pentru inducție.	Înlocuiți vasul cu unul potrivit pentru inducție.
	Nu există vase pe zona de gătit sau diametrul vaselor este mai mic de 120 mm.	Așezați vase pe zona de gătit.
Aparatul nu mai funcționează. Eroare indicație: → .	Vasul de gătit este gol (încălzire fără apă) sau temperatura de gătit este prea mare.	Opriți aparatul și reporniți-l după 5 minute. Dacă E2 persistă, contactați cel mai apropiat magazin IKEA.
	Orificiile de intrare și de evacuare a aerului sunt blocate.	
	Temperatura mediului înconjurător este prea mare.	
Aparatul nu mai funcționează. Eroare indicație: → .	Tensiunea de alimentare de la rețea este de peste 275 V c.a.	Folosiți o rețea de alimentare adecvată pentru acest produs.
Aparatul nu mai funcționează. Eroare indicație: → .	Tensiunea de alimentare de la rețea este sub 100 V c.a.	Folosiți o rețea de alimentare adecvată pentru acest produs.

Aparatul nu mai funcționează. Eroare indicație: (E) → (5)	Senzorul de temperatură al aparatului nu funcționează.	Contactați cel mai apropiat magazin IKEA.
Aparatul nu mai funcționează. Eroare indicație: (E) → (6)		
Aparatul nu mai funcționează. Eroare indicație: (E) → (0)	Excepție internă	Opriti aparatul și reporniți-l după 5 minute. Dacă EO persistă, contactați cel mai apropiat magazin IKEA.

Codul de eroare arată când plita este pornită și este detectată o eroare, E și numerele sunt afișate intermitent (1 secundă) și circulația.

Dacă există o eroare, încercați să o remediați urmând instrucțiunile de depanare. Dacă problema nu poate fi rezolvată, contactați cel mai apropiat magazin IKEA.

❗ Dacă ați utilizat aparatul într-un mod eronat, atunci dealerul nu poate efectua gratuit reparația, nici chiar în perioada de garanție.

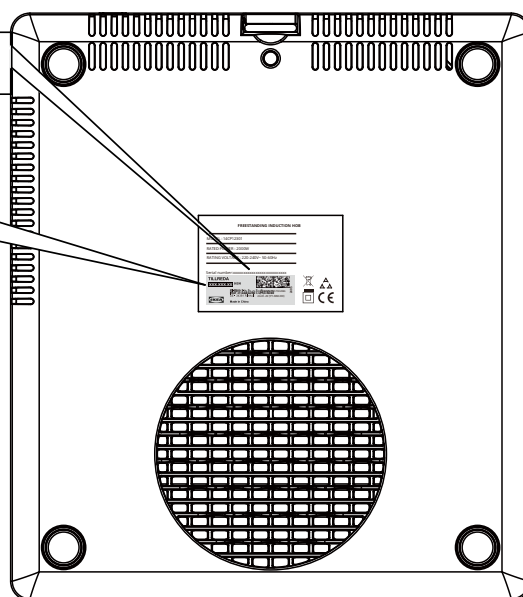
Date tehnice

Model	14CP12301
Tipul de plită	Plită cu inducție portabilă
Număr de zone și/sau suprafețe de gătit	1
Putere nominală	2000 W
Tensiune nominală	220-240 V~
Frecvență nominală	50-60 Hz
Adâncime	305 mm
Lățime	270 mm
Înălțime	62 mm
Greutate netă	2,33 kg

Număr de serie (începe cu SN, cod de 22 de cifre)

Număr articol (cod de 8 cifre)

Număr de serie:
XXXXXXXXXXXXXXXXXXXX




Imagine doar pentru referință

Eficiența energetică

Identificarea modelului	14CP12301
Tipul de plită	Aparat portabil
Numărul zonelor de gătit	1
Tehnologie de încălzire	Inducție
Diametrul zonelor de gătit circulare (Ø)	170 mm
Consumul de energie pe zonă de gătit (gătit electric EC)	184 Wh/kg
Consumul de energie al plitei (plita electrică EC)	184 Wh/kg
Informații despre produs privind consumul de putere și timpul necesar pentru intrarea în modul de putere redusă al aparatului	mod oprit: 0,5 W
Timpul max. necesar pentru intrarea în modul de putere redusă al aparatului	5 secunde
Directiva 2009/125/CE, REGULAMENTUL COMISIEI (UE) nr. 66/2014, EN 60350-2:2018+A1:2021.	

Aspecte referitoare la mediu


Eliminarea aparatelor de uz casnic

Simbolul  de pe produs sau de pe ambalaj indică faptul că acest produs nu poate fi tratat ca un deșeu menajer. În schimb, el trebuie să fie dus la punctul de colectare corespunzător pentru reciclarea echipamentelor electrice și electronice. Asigurându-vă că acest produs este eliminat în mod corespunzător, veți ajuta la prevenirea posibilelor consecințe negative asupra mediului și sănătății oamenilor, care ar putea fi cauzate de manipularea necorespunzătoare a acestui produs ca deșeu. Pentru mai multe informații detaliate despre reciclarea acestui produs, vă rugăm să contactați primăria, serviciul de eliminare a deșeurilor menajere sau magazinul de unde ați achiziționat produsul.

⚠️ AVERTIZARE! Efectuați aceste etape pentru a elimina aparatul:

- Scoateți ștecărul din priza principală.
- Tăiați cablul electric și îndepărtați-l.

Eliminarea materialelor de ambalare

Materialele cu simbolul  sunt reciclabile. Puneți ambalajul într-un recipient de colectare corespunzător pentru reciclarea lui.

Economisirea de energie

- Dacă este posibil, puneți întotdeauna capace pe cratițe.
- Așezați vasul pe zona de gătit înainte de a o porni.
- Partea de jos a vasului trebuie să fie cât mai groasă și cât mai plată.

Garanție IKEA

Cât timp este valabilă garanția IKEA?

Această garanție este valabilă timp de 2 ani de la data inițială de achiziție a aparatului dvs. de la IKEA, cu excepția cazului în care legislația națională prevede altfel. Vă rugăm să accesați IKEA.com pentru a afla ce se aplică în țara dumneavoastră.

Bonul inițial de cumpărare este necesar ca dovadă a cumpărării. Dacă lucrările de service sunt efectuate în baza garanției, acest lucru nu va prelungi perioada de garanție a aparatului.

Cine va furniza asistență?

Contactați cel mai apropiat magazin IKEA.

Ce acoperă această garanție?

Garanția acoperă defectiunile aparatului, care au fost cauzate de defecte de construcție sau de defecte de material de la data achiziționării de la IKEA.

Această garanție se aplică numai pentru uz casnic. Excepțiile sunt specificate la titlul „Ce nu este acoperit de această garanție?”. În cadrul perioadei de garanție, vor fi acoperite costurile de remediere a defectiunii, de exemplu, reparații, piese, manoperă și deplasare, cu condiția ca aparatul să fie accesibil pentru reparații fără cheltuieli speciale. Piesele înlocuite devin proprietatea firmei IKEA.

Ce va face IKEA pentru a remedia problema?

IKEA va examina produsul și va decide, la propria discreție, dacă acesta este acoperit de această garanție. Dacă se consideră că aparatul este acoperit de garanție, atunci IKEA, la propria sa discreție, va repara produsul defect sau îl va înlocui cu unul de același tip sau cu un produs comparabil.

Ce nu este acoperit de această garanție?

- Uzura normală.
- Deteriorările deliberate sau din neglijență, deteriorările cauzate de nerespectarea instrucțiunilor de funcționare, instalarea incorectă sau conectarea la o sursă de curent necorespunzătoare, deteriorările cauzate de reacții chimice sau electrochimice, deteriorările provocate de rugină, coroziune sau apă, și inclusiv, dar nu limitat la acestea, deteriorările cauzate de conținutul excesiv de calcar din apa de alimentare, deteriorările cauzate de condițiile de mediu anormale.
- Piese consumabile, inclusiv bateriile și becurile.

- Piesele nefuncționale și decorative care nu afectează utilizarea normală a aparatului, inclusiv zgârieturile și posibilele diferențe de culoare.
- Deteriorările accidentale cauzate de obiecte sau substanțe străine și de curățarea sau desfundarea filtrelor, a sistemelor de evacuare sau a sertarelor pentru detergent.
- Deteriorarea următoarelor piese: ceramică vitrată, accesorii, coșuri de vase și de tacâmuri, țevi de alimentare și de evacuare, garnituri de etanșare, lămpi și capace de lămpi, ecrane, butoane, carcase și piese ale carcaselor. În afară de cazul în care se poate demonstra că aceste deteriorări au fost cauzate de defecte de fabricație.
- Reparațiile care nu au fost executate de furnizorii de asistență desemnați de noi și/sau de un partener contractual autorizat pentru asistență, sau pentru care s-au folosit piese de schimb neoriginale.
- Reparațiile cauzate de o instalare defectuoasă sau neconformă cu specificațiile.
- Utilizarea aparatului în mediu non-casnic, de ex. utilizarea profesională.
- Deteriorarea datorată transportului. În cazul în care clientul transportă produsul acasă la el sau la o altă adresă, compania IKEA nu este răspunzătoare pentru deteriorările cauzate în timpul transportului. Totuși, dacă IKEA livrează produsul la adresa indicată de client, atunci deteriorarea produsului care poate apărea în timpul transportului este acoperită de IKEA.
- Costurile pentru efectuarea instalării inițiale a aparatului IKEA. Cu toate acestea, în cazul în care un furnizor de servicii desemnat de IKEA sau un partener de service autorizat al acestuia repară sau înlocuiește aparatul în conformitate cu termenii acestei garanții, furnizorul de servicii desemnat sau partenerul de service autorizat va reinstala aparatul reparat sau va instala aparatul de înlocuire, dacă este necesar.

Cum se aplică legea din țara de utilizare

Garanția IKEA vă oferă drepturi legale specifice, care acoperă sau depășesc toate cerințele legale locale. În orice caz, aceste condiții nu limitează în niciun mod drepturile consumatorilor, prevăzute de legislația locală.

Zona de validitate

În cazul aparatelor achiziționate într-o țară din UE și transportate în altă țară din UE, serviciile vor fi furnizate în cadrul condițiilor de garanție obișnuite în noua țară. Obligația de a efectua servicii în cadrul garanției există numai dacă aparatul este conform și instalat în conformitate cu:

- specificațiile tehnice ale țării în care se face cererea de garanție;
- Instrucțiunile de asamblare și Informațiile privind siguranța din Manualul de utilizare.

SERVICII POST-VÂNZARE pentru aparate IKEA

Nu ezitați să ne contactați la:

- a face o cerere de service în conformitate cu această garanție;
- a cere lămuriri despre funcțiile aparatelor IKEA.

Pentru a vă putea asigura cea mai bună asistență, vă rugăm să citiți cu atenție Instrucțiunile de asamblare și/sau Manualul de utilizare, înainte de a ne contacta.

Cum ne puteți contacta dacă aveți nevoie de asistența noastră



Centrul IKEA de servicii post-vânzare pentru clienți vă va ajuta la telefon cu indicații de bază referitoare la remedierea problemelor pentru aparatul dvs. în momentul apelului pentru cerere de service. Vă rugăm să consultați catalogul IKEA sau să vizitați www.ikea.com pentru a găsi numărul de telefon al magazinului local al dvs și orele de lucru.

Pentru a vă oferi un serviciu mai rapid, vă rugăm să consultați întotdeauna numărul de articol IKEA (cod de 8 cifre) înscris pe plăcuța cu parametri a aparatului dvs.

PĂSTRAȚI BONUL DE VÂNZARE!

Este dovada achiziției dvs. și este necesară pentru aplicarea garanției. Pe chitanță se găsește numele IKEA și numărul articolului (un cod de 8 cifre) pentru fiecare dintre articolele pe care le-ați cumpărat.

Aveți nevoie de ajutor suplimentar?

Dacă aveți întrebări suplimentare care nu au legătură cu Serviciul de Asistență Tehnică pentru aparatele dvs., vă rugăm să contactați call-centerul celui mai apropiat magazin IKEA. Vă recomandăm să citiți cu atenție documentația aparatului înainte de a ne contacta.

Obsah

Bezpečnostné informácie	254	Starostlivosť a čistenie.....	262
Bezpečnostné pokyny	255	Riešenie problémov	262
Popis výrobku	257	Technické údaje.....	263
Indikátory.....	258	Energetická účinnosť.....	264
Každodenné používanie.....	259	Ochrana životného prostredia	264
Varná doska.....	260	Záruka IKEA.....	265
Pokyny k riadu.....	260		

Bezpečnostné informácie

ⓘ Pre vašu bezpečnosť a správnu prevádzku zariadenia si pred jeho zapojením a použitím dôkladne prečítajte tento návod na použitie. Vždy ponechajte tieto pokyny so zariadením, aj v prípade jeho prenášania alebo predaja. Používatelia musia dôkladne poznať prevádzku a bezpečnostné vlastnosti zariadenia.

Správne použitie

- Nenechávajte počas prevádzky zariadenie bez dozoru.
- Zariadenie je navrhnuté výhradne pre domáce použitie.
- Zariadenie je navrhnuté výhradne pre vnútorné použitie.
- Zariadenie nesmie byť použité ako pracovný povrch alebo povrch pre ukladanie vecí.
- Neukladajte ani neskladujte na zariadení alebo v jeho blízkosti horľavé kvapaliny, vysoko horľavé materiály alebo ľahko tavitelné predmety (napr. plastová fólia, plasty, hliník).
- Dávajte si pozor pri pripájaní elektrických spotrebičov do zásuviek v jeho blízkosti. Nedovoľte, aby sa elektrické káble dotýkali alebo zachytili pod spotrebič alebo horúci riad.
- Aby ste predišli zraneniu a poškodeniu zariadenia nevykonávajte opravy sami. Vždy sa obracajte na najbližší obchod IKEA.

Bezpečnosť detí a zraniteľných osôb

- Tento spotrebič môžu používať deti staršie ako 8 rokov a osoby so zníženými fyzickými, zmyslovými alebo psychickými

schopnosťami alebo nedostatkom skúseností a znalostí, iba ak sú pod dozorom inej osoby alebo ak boli inou osobou poučené o bezpečnom používaní spotrebiča a ak rozumejú prípadným rizikám.

- Obalový materiál nenechávajte v dosahu detí. Hrozí nebezpečenstvo udusenía.
- Udržujte deti mimo dosahu spotrebiča, počas jeho prevádzky aj keď je vypnutý.
- Nedovoľte, aby sa k zariadeniu priblížili deti mladšie ako 8 rokov, ak nie sú pod nepretržitým dozorom.
- Deti sa so zariadením nesmú hrať. Čistenie a používateľskú údržbu nesmú vykonávať deti bez dozoru.

⚠ **VAROVANIE!** Aktivujte detský zámok, aby nedochádzalo k nechcenému zapnutiu spotrebiča malými deťmi a domácimi zvieratami.

Všeobecné bezpečnostné pokyny

- Vetracie otvory na telese spotrebiča a na vstavanej konštrukcii musia zostať voľné.
- Nedotýkajte sa varnej dosky, keď ukazovateľ zostatkového tepla stále svieti, aby ste predišli zraneniu.
- Nevkladajte žiadne predmety do indukčnej varnej dosky počas prevádzky, aby ste predišli zásahu elektrickým prúdom.
- Neomotávajte šnúru okolo krku, aby ste predišli nebezpečenstvu uškrtienia.
- Parný čistič nie je určený na čistenie zariadenia.
- Kovové predmety, ako napríklad nože, vidličky, lyžičky a pokrievky, sa nemajú pokladať na varnú dosku, pretože by sa mohli zohriať.

- Po použití vypnete varnú dosku pomocou ovládača a nespoliehajte sa len na rozpoznávanie varnej nádoby.
- Toto zariadenie nie je určené na používanie pomocou externého časovača alebo samostatného systému diaľkového ovládania.
- Dávajte pozor, aby ste sa nepopálili na horúcich prvkoch.
- Ak je napájací kábel poškodený, smie ho vymeniť len výrobca, autorizované servisné stredisko alebo podobne kvalifikovaná osoba, aby sa predišlo akémukoľvek nebezpečenstvu. Prosím kontaktujte najbližšiu predajňu IKEA.
- Tento spotrebič je určený na používanie v domácnostiach a podobnom prostredí, ako napr.:
 - kuchynským personálom v obchodoch, kanceláriách a na ďalších pracoviskách;
 - na farmách;
 - klientmi v hoteloch, motelloch a iných ubytovacích zariadeniach;
 - v zariadeniach poskytujúcich nocľah s raňajkami.

⚠ POZOR: horúci povrch. Povrchy sa môžu počas používania zahriať.

⚠ VAROVANIE! Ak je povrch prasknutý, zariadenie vypnite, aby ste predišli úrazu elektrickým prúdom. Prosím kontaktujte najbližšiu predajňu IKEA.

⚠ VAROVANIE! Počas používania sa zariadenie a prístupné súčasti zohrievajú.

⚠ VAROVANIE! Príprava jedla na varnej doske bez dozoru pri použití tuku či oleja môže byť nebezpečná a môže spôsobiť vznik požiaru. NIKDY sa nepokúšajte požiar zhasiť vodou. V prípade požiaru zariadenie vypnite a prikryte plameň napríklad pokrievkou alebo nehorľavou prikrývkou.

Bezpečnostné pokyny

Inštalácia

- Výrobca nie je zodpovedný za akékoľvek zranenie osôb a zvierat alebo poškodenie majetku spôsobené nedodržaním nasledujúcich pokynov.

⚠ UPOZORNENIE! Pred inštaláciou si najprv prečítajte bezpečnostné informácie.

⚠ VAROVANIE! Pri procese inštalácie musia byť dodržané zákony, nariadenia, smernice a normy (elektrické bezpečnostné pravidlá a predpisy, správne recyklovanie v súlade s predpismi, atď.) platné v krajine použitia!

- Neinštalujte spotrebič vedľa dverí a pod okná, pretože horúci kuchynský riad môže byť zhodený z varnej dosky, keď sa dvere alebo okno otvoria.
- Uistite sa, či sa spotrebič pri preprave nepoškodil. Nepripájajte poškodený spotrebič.
- Neinštalujte spotrebič, ak sa poškodí počas prepravy.

- Nepripájajte varnú dosku s predlžovacím káblom a nedávajte varnú dosku s káblom naprieč pracovnými priestormi.
- Nemeňte technické vlastnosti alebo neupravujte tento spotrebič. Hrozí nebezpečenstvo zranenia a poškodenia spotrebiča.

⚠ VAROVANIE! Starostlivo dodržujte pokyny pre elektrické pripojenie.

Elektrické pripojenie

- Pred pripojením skontrolujte, či menovité napätie spotrebiča uvedené na typovom štítku, zodpovedá dostupnému napájaciemu napätiu. Skontrolujte aj menovité napätie spotrebiča a zaistite, aby elektrická inštalácia v domácnosti zodpovedala menovitému napätiu spotrebiča (pozrite kapitolu Technické údaje).
- Typový štítok je umiestnený na spodnej strane varnej dosky.

⚠ VAROVANIE! Nebezpečenstvo úrazu elektrickým prúdom.

- Uvoľnená a nevhodná zástrčka a zásuvka môže spôsobiť prehriatie koncovky.

Pred použitím:

Pred použitím si pozorne prečítajte nasledujúce pokyny.

- Používajte štandardnú elektrickú zásuvku a pravidelne ju kontrolujte, aby ste predišli poškodeniam.
- Spotrebič nesmiete otvárať vy a ani nijaká nekvalifikovaná osoba. Spotrebič môže opravovať len zástupca servisu alebo podobný kvalifikovaný technik.
- Prekontrolujte napájací kábel a zástrčku. Ak je poškodený napájací kábel alebo zástrčka, spotrebič nepoužívajte. Nevyťahujte zástrčku, ak máte mokré ruky.
- Na napájanie prosím používajte iba priamo elektrickú zásuvku a nie predlžovací kábel.
- Ak sa spotrebič dlhšiu dobu nepoužíval, najprv ho na 10 minút zapnite, aby sa stabilizovala elektronická súčasť. Potom môžete začať spotrebič používať.
- Spotrebič nepoužívajte blízko vody, ohňa ani vo vlhkom prostredí. Spotrebič sa môže používať len v domácnosti a v interiéri.
- Pred prvým použitím odstráňte zo spotrebiča všetky obaly, nálepky a fóliu.
- Po každom použití vypnite varné zóny príslušnými ovládačmi a nespoliehajte sa na snímač panvice.
- Nebezpečenstvo popálenia! Na varný povrch nekladte kovové predmety, ako nože, vidličky, lyžice a pokrievky, pretože by sa mohli značne zohriať.

⚠ VAROVANIE! Nebezpečenstvo požiaru! Prehriate tuky a oleje sa môžu ľahko vznietiť.

⚠ VAROVANIE! Používatelia s implantovanými kardiostimulátormi musia byť vzdialení hornou časťou tela minimálne 30 cm od indukčných varných zón.

⚠ VAROVANIE! Spotrebič nepoužívajte s mokрыmi rukami a ovládací panel udržiavajte v suchom stave. Väčšie

množstvo vody na tlačidlách ovládacieho panela spôsobí, že nebudú funkčné.

⚠ VAROVANIE! Ak je povrch prasknutý, spotrebič vypnite, aby ste sa vyhli možnému úrazu elektrickým prúdom.

Počas používania a po ňom:

Pozorne si prečítajte nasledujúce pokyny, aby sa zabránilo vznieteniu a nehodám.

- Spotrebič dávajte len na rovný a pevný podklad.
- Deti musia byť pod dozorom, aby sa zabezpečilo, že sa so spotrebičom nehrajú.
- Keď je spotrebič v činnosti, nedávajte na panel žiadny z nasledujúcich predmetov.
 - a) Nerezová oceľ
 - b) Železo
 - c) Liatina
 - d) Hliník
 - e) Pokrievka a smaltovaný riad
 - f) Nôž, vidlička alebo lyžica
 - g) Tanier vyrobený zo železa, nerezu, liatiny alebo hliníka.
 - h) Prázdny hrniec
- Neprenášajte ani nepresúvajte spotrebič s riadom navrchu počas ohrievania.
- Počas ohrievania udržiavajte okolitý priestor dobre vetraný.
- Nevkladajte žiadny vodič ani kovové predmety do prívodu vzduchu ani vetracieho otvoru na spotrebiči.
- Ako sa starať o varnú dosku.
 - a) Dajte pozor aby vám na varnú dosku nepadli žiadne ťažké predmety.
 - b) Nevylejte na varnú dosku vodu, kyselinu ani akúkoľvek kvapalinu.
 - c) Nepáľte na varnej doske nič pomocou ohňa.
 - d) Nedávajte navrch žiadny horúci riad, keď spotrebič nepoužívate.
 - e) Ak je povrch (panel) prasknutý, okamžite vypnite spotrebič, aby nedošlo k úrazu elektrickým prúdom, a vráťte do najbližšieho obchodu IKEA.
 - f) Niektoré druhy riadu na varenie môžu spôsobovať zvuky počas použitia. Jemne posuňte riad a zvuk by mal zmiznúť alebo byť tichší. Ak nie, vymeňte hrniec.

- Keď je spotrebič zapnutý, nedávajte ho na koberec, tkaninu ani papierový materiál.
- Nedotýkajte sa varnej dosky, pokiaľ je horúca. Varná doska je stále horúca, až kým nezhasne indikátor zvyškového tepla, dokonca aj po vypnutí napájania.
- Neodpájajte spotrebič ťahaním za kábel.
- Pred odpojením vypnite spotrebič a nechajte ho vychladnúť. Keď nebudete spotrebič dlhšiu dobu používať, odpojte napájaciu šnúru.
- Po použití odložte riad ďalej od spotrebiča.
- Aby nedošlo k poškodeniu kuchynského riadu a sklokeramiky, nenechávajte variť hrnce a panvice nasucho.
- Nepoužívajte varné povrchy s prázdny kuchynským riadom alebo bez kuchynského riadu.
- Žiadnu časť spotrebiča nikdy nevykladajte alobalom. Nikdy nedávajte do spotrebiča ani na spotrebič plastový alebo akýkoľvek iný materiál, ktorý by sa mohol roztopiť.

⚠ VAROVANIE! Po použití nechajte spotrebič pripojený k elektrickej zásuvke, až kým sa nevypne ventilátor a indikátor tepla.

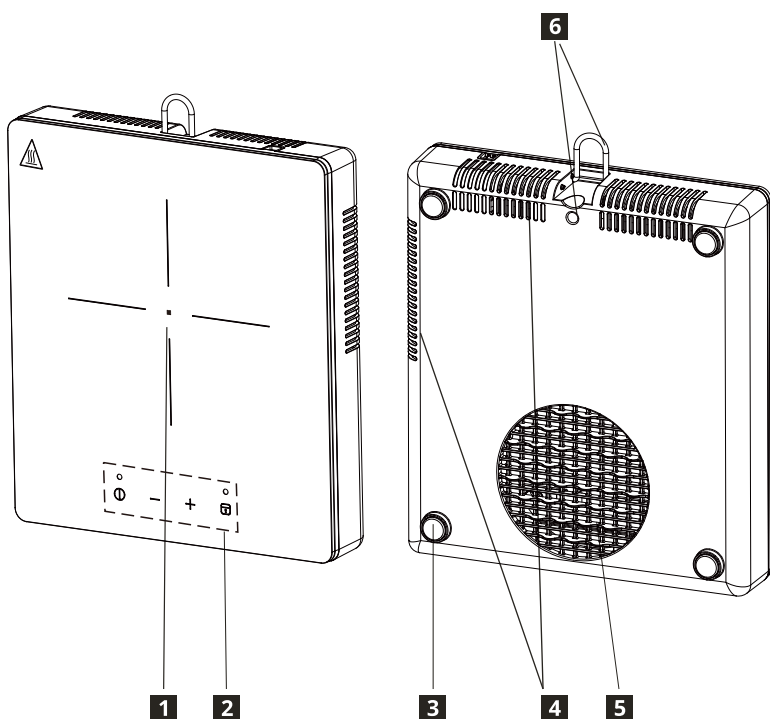
Ako zabrániť poškodeniu spotrebiča

- Sklokeramická doska môže byť poškodená predmetmi ktoré na ňu padnú alebo nárazom hrnca.
- Kuchynský riad z liatiny, odlievaného hliníka alebo riad s poškodeným dnom môže pri presúvaní poškriabať sklokeramiku.
- Sklokeramika sa môže poškodiť tiež pádom na podlahu.

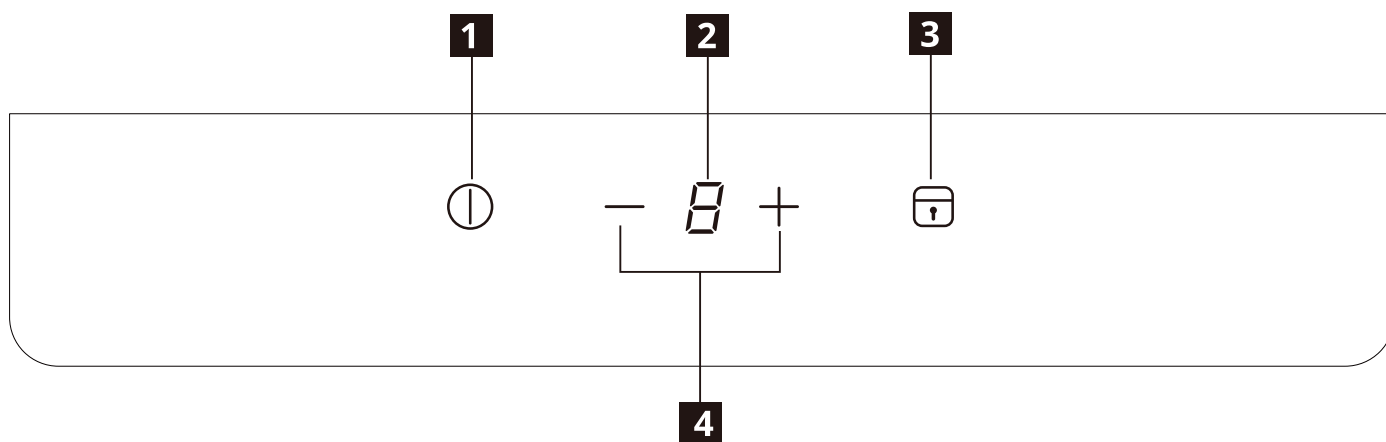
Informácie o akrylamidoch

Dôležité! Podľa najnovších vedeckých poznatkov môžu veľmi pripečené pokrmy, hlavne jedlá obsahujúce škrob, predstavovať nebezpečenstvo pre zdravie kvôli obsahu akrylamidov. Preto vám odporúčame, pripravovať jedlá pri čo najnižších možných teplotách a zabrániť tomu, aby sa jedlá príliš pripiekli.

Popis výrobku



- 1** Oblast' ohrevu
Varná zóna 170 mm, 2000 W
- 2** Ovládací panel
- 3** Silikónové nožičky
- 4** Výstup vzduchu
- 5** Prívod vzduchu
- 6** Háčik na zavesenie



Vzhľad ovládacieho panela

- 1** Zapnúť/Vypnúť **3** Zámok/detský zámok
2 Zobrazenie úrovne výkonu **4** Nastavenie úrovne výkonu -/+

Senzorové dotykové tlačidlá a ukazovatele

Varná doska sa ovláda senzorovými dotykovými tlačidlami. Indikácia a zvukové signály (krátke pípnutie) potvrdia výber funkcie.

Úroveň výkonu	1	2	3	4	5	6	7	8	9
Výkon	150 W	250 W	300 W	450 W	600 W	800 W	1100 W	1500 W	2000 W

Indikátory

⚠ Hrnec chýba alebo je nesprávne umiestnený

Tento symbol sa objaví, keď hrniec nie je vhodný na indukčné varenie, ak nie je umiestnený správne alebo ak nie je jeho veľkosť vhodná pre zvolenú varnú zónu. Ak sa do 30 sekúnd od voľby hrniec nezistí, varná zóna sa vypne.

H Zvyškové teplo

Ak sa na displeji zobrazuje „H“, varná zóna je stále horúca. Keď varná zóna vychladne,

displej zhasne.

⚠ VAROVANIE! Nebezpečenstvo popálenia zvyškovým teplom! Po vypnutí spotrebiča, potrebujú varné zóny nejaký čas na vychladnutie. Všímajte si indikátor zvyškového tepla (H).

Zvyškové teplo využívajte na rozpustenie potravín alebo na prihrievanie jedál. Neodpájajte spotrebič bez toho, aby ste počkali, kým (H) nezmizne z displeja.

Každodenné používanie



Pripojenie do zásuvky

- Po pripojení zástrčky do elektrickej siete, bude zapnutá detská poistka. Stlačte a podržte tlačidlo detskej poistky 3 sekundy pre jej vypnutie.

Zapnúť/vypnúť

- Stlačte tlačidlo ZAPNÚŤ/VYPNÚŤ, na displeji sa zobrazí „0“ ako v pohotovostnom režime a rozsvieti sa indikátor napájania. Ak sa do 30 sekúnd nezvolí nastavenie tepla, varná doska sa automaticky vypne bez stlačenia tlačidla ZAPNÚŤ/VYPNÚŤ.
- Stlačte tlačidlo ZAPNÚŤ/VYPNÚŤ počas prevádzky a varná doska sa vypne.



Nastavenie úrovne výkonu

- Stlačením — alebo + ovládajte úroveň výkonu počas prevádzky.
- Stlačte —, úroveň výkonu sa zmení priamo na „9“. Stlačte — pre zníženie úrovne výkonu z „9“ na „1“.
- Stlačte +, úroveň výkonu sa zvýši z hodnoty „1“. Stlačte + pre zvýšenie úrovne výkonu od „1“ do „9“.



Funkcia zámku

Keď je varná zóna v prevádzke, môžete uzamknúť ovládací panel, napríklad za účelom čistenia varnej dosky. Zabráňte tak nežiaducej zmene nastavenia úrovne výkonu. Varná doska môže byť stále vypnutá pomocou tlačidla Zapnúť/Vypnúť.

Aktivovanie zámku

- Nastavte požadovanú úroveň výkonu.
- Stlačte a 3 sekundy podržte tlačidlo Zámok. Funkcia je aktivovaná, keď indikátor tlačidla Zámok svieti a zaznie zvukový signál.

Deaktivovanie zámku

- Stlačte a 3 sekundy podržte tlačidlo Zámok. Funkcia je deaktivovaná, keď indikátor tlačidla Zámok zhasne a zaznie zvukový signál.
- Vráti sa predchádzajúce nastavenie úrovne výkonu.

Funkcia detského zámku

Môžete nechať ovládací panel zablokovaný aj keď varná doska nie je v prevádzke. Táto funkcia zabráni náhodnej prevádzke spotrebiča.

Aktivovanie detského zámku

- Zapnite spotrebič pomocou tlačidla ZAPNÚŤ/VYPNÚŤ. Nenastavujte žiadnu úroveň výkonu.
- Stlačte a 3 sekundy podržte tlačidlo Zámok. Funkcia je aktivovaná, keď indikátor tlačidla Zámok svieti a zaznie zvukový signál.
- Vypnite spotrebič pomocou tlačidla ZAPNÚŤ/VYPNÚŤ.

Deaktivovanie detského zámku

- Stlačte a 3 sekundy podržte tlačidlo Zámok. Funkcia je deaktivovaná, keď indikátor tlačidla Zámok zhasne a zaznie zvukový signál.

Automatické vypnutie

Táto funkcia vypne varnú dosku automaticky ak:

- sú všetky varné zóny vypnuté,
- do 30 sekúnd po zapnutí varnej dosky nenastavíte úroveň výkonu,
- nevypnete varnú zónu ani neupravíte úroveň výkonu po 2 hodinách, prípadne ak dôjde k prehriatiu (napr. ak je panvica suchá).

Varná doska


Nastavenie ohrevu	Použitie na:	Čas (min)	Tipy
1	<ul style="list-style-type: none"> Podľa potreby udržiava. 	uvarené jedlo teplé	Na hrniec dávajte pokrievku.
1 – 2	<ul style="list-style-type: none"> Holandská omáčka, roztopené maslo, čokoláda, želatína. 	5 – 25	Občas premiešajte.
2 – 3	<ul style="list-style-type: none"> Varte ryžu a jedlá na báze mlieka, ohrievajte hotové jedlá. 	25 – 50	Pridajte aspoň dvakrát toľko tekutiny ako ryže, v polovici procedúry mliečne jedlá zamiešajte.
4 – 5	<ul style="list-style-type: none"> Zelenina, ryby, mäso, zemiaky na pare. 	20 – 45	Pridajte malé množstvo vody.
	<ul style="list-style-type: none"> Varte väčšie množstvá jedla a duseného mäsa. 	60 – 150	Pridajte malé množstvo vody.
5 – 6	<ul style="list-style-type: none"> Jemné vyprážanie: teľacie cordon bleu, rezne, rizoly, klobásy, zápražka, vajcia. 	uvarené jedlo teplé	V polovici otočte.
7 – 8	<ul style="list-style-type: none"> Zemiakové placky, steaky. 	5 – 15	V polovici otočte.
9	<ul style="list-style-type: none"> Varte vodu, cestoviny, opekajte mäso (guláš, výpek), opražte hranolčky. 		

Pokyny k riadu

Aké hrnce používať

Používajte výhradne hrnce a panvice so spodkom z feromagnetického materiálu vhodné na používanie na indukčných varných doskách:

- Liatina
- Smaltovaná oceľ
- Uhlíková oceľ
- Nerezová oceľ (hoci nie všetky)
- Hliník s feromagnetickou povrchovou úpravou alebo feromagnetickou platňou

Ak potrebujete zistiť, či sú hrniec alebo panvica vhodné, hľadajte symbol  (zvyčajne sa nachádza na spodnej strane). Môžete aj priložiť magnet k spodnej strane. Ak prilne k spodnej strane, riad bude fungovať na indukčnej varnej doske.

V rámci zaistenia optimálnej účinnosti vždy používajte hrnce a panvice s plochým dnom, na ktorom sa teplo šíri rovnomerne. Ak nie je dno ploché, má to vplyv na výkon a vedenie tepla.

Návod na použitie

Minimálny priemer dna hrnca/panvice pre rozličné varné oblasti

Na správne fungovanie varnej dosky je potrebné, aby hrniec zakrýval jeden alebo viac referenčných bodov vyznačených na povrchu varnej dosky a musí mať vhodný minimálny priemer.

Vždy používajte varnú oblasť, ktorá najviac zodpovedá priemeru dna panvice.

Varná zóna	Odporúčaný priemer riadu [mm]
Zadná varná zóna v strede	120 – 180

Prázdne hrnce/panvice alebo hrnce/panvice s tenkým dnom

Na varnej doske nepoužívajte prázdne hrnce/panvice ani hrnce/panvice s tenkým dnom, pretože nebude môcť sledovať teplotu ani sa automaticky vypnúť, keď je teplota príliš vysoká. Dochádza potom k poškodeniu hrnca alebo povrchu varnej dosky. Ak k tomu dôjde, nedotýkajte sa ničoho a počkajte, kým všetky súčasti vychladnú.

Ak sa objaví chybové hlásenie, pozrite časť „Riešenie problémov“.

Rady a tipy**Zvuky počas varenia**

Keď je varná zóna aktívna, môže chvíľu jemne vrčať. Je to charakteristické pre všetky sklokeramické varné zóny a nemá to vplyv na funkciu ani životnosť spotrebiča. Zvuk závisí od použitého riadu. Ak vám to spôsobuje vážne ťažkosti, mali by ste zmeniť riad.

Bežné prevádzkové zvuky indukčnej varnej dosky

Indukčná technológia je založená na vytváraní elektromagnetických polí, ktoré generujú teplo priamo na dne kuchynského riadu. Hrnce a panvice môžu spôsobovať rôzne zvuky alebo vibrácie v závislosti od spôsobu ich výroby.

Tieto zvuky sú opísané nasledovne:

Slabé bzučanie (ako transformátor)

Tento hluk vzniká pri varení na vysokej úrovni tepla. Je založený na množstve energie prenášanej z varnej dosky na riad. Hluk prestane alebo sa utíši, keď sa zníži úroveň tepla.

Tiché pískanie

Tento hluk vzniká, keď je varná nádoba prázdna. Prestane, keď sa do nádoby vložia tekutiny alebo potraviny.

Praskanie

Tento hluk sa vyskytuje pri varnom riade vyrobenom z rôznych materiálov navrstvených na sebe. Je spôsobený vibráciami povrchov, na ktorých sa stretávajú rôzne materiály. Hluk sa vyskytuje pri riade a môže sa meniť v závislosti od množstva potravín alebo tekutín a spôsobu varenia (napr. varenie, dusenie, vyprážanie).

Hlasné pískanie

Tento hluk sa vyskytuje pri riade z rôznych materiálov, ktoré sú navrstvené jedna na druhej, a keď sa navyše používajú na maximálny výkon a tiež na dvoch varných zónach. Hluk prestane alebo sa utíši, keď sa zníži úroveň tepla.

Tieto zvuky sú normálne zvuky ventilátora

Na správnu činnosť elektronického systému je potrebné regulovať teplotu varnej dosky. Na tento účel je varná doska vybavená chladiacim ventilátorom, ktorý sa aktivuje na zníženie a reguláciu teploty elektronického systému. Ventilátor môže pokračovať v činnosti aj po vypnutí spotrebiča, ak je zistená teplota varnej dosky po jej vypnutí stále príliš vysoká.

Rytmické zvuky, podobné tikaniu hodín

Tento zvuk sa vyskytuje len vtedy, keď sú v prevádzke aspoň tri varné zóny, a po vypnutí niektorých z nich zmizne alebo zoslabne. Opísané zvuky sú normálnym prvkom indukčnej technológie a nemali by sa považovať za chyby.

Starostlivosť a čistenie

⚠ VAROVANIE! Vypnite spotrebič a nechajte ho vychladnúť, a až potom ho odpojte.

⚠ VAROVANIE! Vypnite spotrebič a nechajte ho vychladnúť, predtým ako ho budete čistiť.

⚠ VAROVANIE! Z bezpečnostných dôvodov, nečistite spotrebič prúdom pary ani vysokotlakovými čističmi.






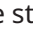

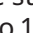
⚠ VAROVANIE! Ostré predmety a drsné čistiace prostriedky poškadzujú spotrebič. Vyčistite spotrebič a zvyšky odstráňte vodou a čistiacim prostriedkom po každom použití. Odstráňte aj zvyšky čistiacich prostriedkov!

ⓘ Škrabance a tmavé škvrny na sklokeramike sa už nedajú odstrániť, neovplyvňujú však funkčnosť spotrebiča.

Odstraňovanie zvyškov jedál a zájdených škvŕn:

- Zvyšky potravín s obsahom cukru, plastov, tenkých fólií treba ihneď odstrániť. Najlepším nástrojom na čistenie skleneného povrchu je škrabka (nie je súčasťou tohto spotrebiča). Položte škrabku na sklokeramický povrch tak, aby bola naklonená vo vhodnom uhle a posúvaním čepele zvyšky jedla odstráňte. Spotrebič utrite vlhkou handričkou s malým množstvom čistiaceho prostriedku. Nakoniec vyutierajte čistou handrou spotrebič dosucha.
- Škvŕny od vodného kameňa a vody, vystreknutý tuk a kovové lesklé sfarbenie možno odstrániť po vychladení spotrebiča čističmi na sklokeramiku alebo na nerez.

Riešenie problémov

Problém	Možná príčina	Riešenie
Spotrebič nefunguje.	Nedostatok príkonu alebo skrat príkonu v privode elektrickej energie u vás doma.	
	Nesprávne pripojenie napájacieho kábla do zásuvky.	Skontrolujte napájací kábel varnej dosky, či je správne pripojený.
	Od zapnutia spotrebiča prešlo viac ako 10 sekúnd.	Znova zapnite spotrebič.
	Je zapnutý detský zámok.	Deaktivujte detský zámok. (Pozrite časť „Detská poistka“).
	Dotkli ste sa naraz viacerých sensorových tlačidiel.	Stlačte iba jedno sensorové tlačidlo.
Spotrebič prestal fungovať. Signalizácia chyby:  → 	Riad nie je vhodný na indukčné varenie.	Vymeňte za kuchynský riad vhodný pre indukciu.
	Na varnej zóne nie je položený žiadny riad, prípadne je priemer riadu menší ako 120 mm.	Dajte kuchynský riad na varnú zónu.
Spotrebič prestal fungovať. Signalizácia chyby:  → 	Kuchynský riad je prázdny (varenie nasucho) alebo teplota varenia je príliš vysoká.	Vypnite spotrebič a po 5 minútach ho znova zapnite. Ak problém E2 pretrváva, obráťte sa na najbližší obchod IKEA.
	Privod vzduchu a výstup vzduchu je zablokovaný.	
	Okolité teplota je príliš vysoká.	
Spotrebič prestal fungovať. Signalizácia chyby:  → 	Elektrické napájanie striedavým prúdom je väčšie ako 275 V.	Zameňte ho za napájanie vhodné pre daný produkt.
Spotrebič prestal fungovať. Signalizácia chyby:  → 	Elektrické napájanie striedavým prúdom je nižšie ako 100 V.	Zameňte ho za napájanie vhodné pre daný produkt.

Spotřebič prestal fungovať. Signalizácia chyby: E → 5	Snímač teploty na spotřebiči nefunguje.	Prosím kontaktujte najbližšiu predajňu IKEA.
Spotřebič prestal fungovať. Signalizácia chyby: E → 6		
Spotřebič prestal fungovať. Signalizácia chyby: E → 0	Vnútoraná chyba	Vypnite spotřebič a po 5 minútach ho znova zapnite. Ak problém EO pretrváva, obráťte sa na najbližší obchod IKEA.

Kód chyby sa zobrazuje v prípade, že je varná doska zapnutá a zistí sa chyba. Striedavo (po 1 sekunde) sa objavuje písmeno E a číslo.

Ak ide o poruchu, skúste ju vyriešiť podľa pokynov na riešenie problémov. Ak sa problém nedá vyriešiť, obráťte sa na najbližší obchod IKEA.

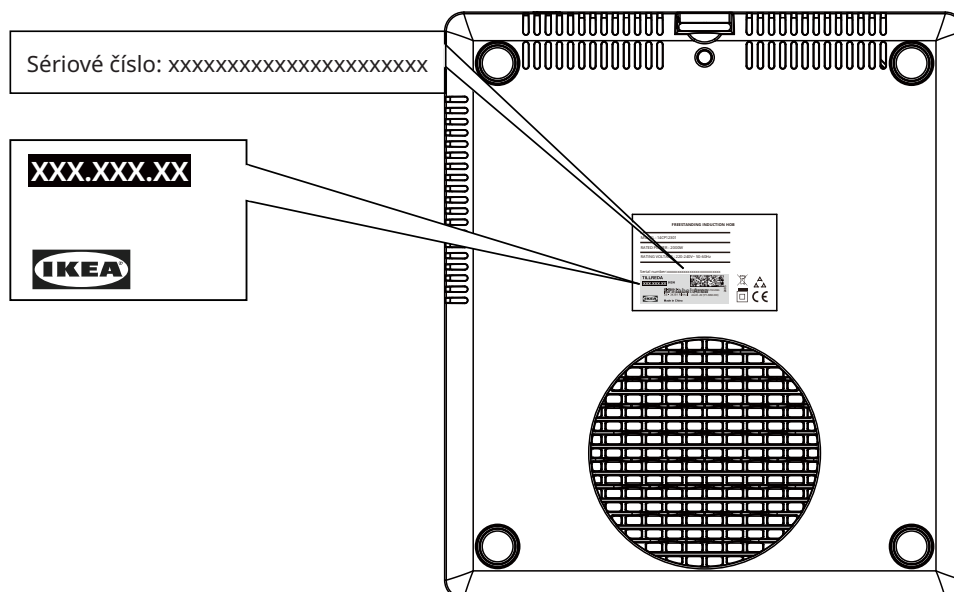
ⓘ Ak ste nesprávne prevádzkovali spotřebič, predajca nemusí zabezpečiť reklamáciu zdarma, aj keď ste v záručnej dobe.

Technické údaje

Model	14CP12301
Typ varnej dosky	Voľne stojaca indukčná varná doska
Počet varných zón a/alebo oblastí	1
Menovitý výkon	2000 W
Menovité napätie	220 – 240 V, striedavý prúd
Menovitý kmitočet	50 – 60 Hz
Hĺbka	305 mm
Šírka	270 mm
Výška	62 mm
Čistá váha	2,33 kg

Sériové číslo (začína na SN, 22-miestny kód)

Číslo výroby (8-miestny kód)




Obrázok je určený len na referenčné účely

Energetická účinnosť

Identifikácia modelu	14CP12301
Typ varnej dosky	Prenosný spotrebič
Počet varných zón	1
Technológia ohrevu	Indukcia
Priemer kruhových varných zón (Ø)	170 mm
Príkion na jednu varnú zónu (elektrické varenie EC)	184 Wh/kg
Príkion varnej dosky (elektrická varná doska EC)	184 Wh/kg
Informácie o výrobku týkajúce sa spotreby výkonu a času na dosiahnutie príslušného režimu nízkeho výkonu	režim vypnutia: 0,5 W
Maximálny čas potrebný na dosiahnutie príslušného režimu nízkeho výkonu	5 sekúnd
Smernica 2009/125/ES, NARIADENIE KOMISIE (EÚ) č. 66/2014, EN 60350-2:2018+A1:2021.	


Ochrana životného prostredia**Likvidácia domácich spotrebičov**

Symbol  na produkte alebo na jeho balení označuje že tento produkt nesmie byť zlikvidovaný s domácim odpadom. Miesto toho, by mal byť odnesený na príslušné zberné miesto pre recyklovanie elektrického a elektronického odpadu. Tým že zaistíte správnu likvidáciu tohoto produktu, pomôžete zabrániť možným negatívnym následkom na životné prostredie a ľudské zdravie, ktoré by mohli byť spôsobené nesprávnou likvidáciou odpadu z tohoto produktu. Pre viac podrobných informácií o recyklovaní tohoto produktu, prosím kontaktujte váš miestny úrad, miestnu službu na spracovanie odpadu alebo obchod, kde ste produkt zakúpili.

⚠ VAROVANIE! Urobte tieto kroky pred likvidáciou spotrebiča:

- Vytiahnite napájací kábel zo zásuvky.
- Odrežte napájací kábel a vyhodte ho.

Likvidácia obalových materiálov

Materiály so symbolom  sú recyklovateľné. Zahodte obal do vhodného zberného kontajnera na recykláciu.

Šetrenie energie

- Ak je to možné vždy dajte na hrnce pokrievku.
- Dajte kuchynský riad na varnú zónu pred tým než ju zapnete.
- Dno kuchynského riadu by malo byť tak hrubé a rovné ako je možné.

Záruka IKEA

Ako dlho je platná záruka IKEA?

Táto záruka je platná 2 roky od pôvodného dátumu nákupu zariadenia v spoločnosti IKEA, pokiaľ nie je vo vnútroštátnych právnych predpisoch uvedené inak. Informácie o tom, čo platí vo vašej krajine, nájdete na stránke IKEA.com.

Ako doklad o nákupe slúži pôvodný pokladničný blok. Ak sa počas doby trvania záruky vykoná servisný úkon, nepredĺži sa tým záručná doba zariadenia.

Kto vykonáva servis?

Kontaktujte najbližšiu predajňu IKEA.

Na čo sa vzťahuje záruka?

Záruka sa vzťahuje na chyby spotrebiča, ktoré boli spôsobené chybnou konštrukciou alebo chybami materiálu po dátume zakúpenia v obchode IKEA. Táto záruka sa týka len použitia v domácnosti. Výnimky sú uvedené v časti „Na čo sa záruka nevzťahuje?“ V rámci záručnej doby sú pokryté náklady na odstránenie poruchy napr. opravy, náhradné diely, práca a cestovanie, ak je spotrebič možné opraviť bez zvláštnych výdavkov. Vymenené náhradné diely sú vlastníctvom spoločnosti IKEA.

Čo urobí spoločnosť IKEA na nápravu problému?

Spoločnosť IKEA výrobok preskúma a podľa vlastného uváženia rozhodne, či sa na neho vzťahuje táto záruka. V prípade, že sa na poruchu vzťahuje záruka, IKEA na vlastnú zodpovednosť, opraví pokazený výrobok alebo ho vymení za rovnaký alebo porovnateľný výrobok.

Na čo sa záruka nevzťahuje?

- Normálne opotrebovanie a poškodenie.
- Úmyselné poškodenie alebo poškodenie nedbalosťou, škody spôsobené nedodržaním pracovných postupov, nesprávna inštalácia alebo zapojenie do elektrickej siete s nesprávnym napätím, poškodenie spôsobené chemickou alebo elektrochemickou reakciou, hrdza, korózia alebo poškodenie vodou vrátane škôd spôsobených nadmerným množstvom vodného kameňa v dodávanej vode, ale nielen tým, škody spôsobené mimoriadnymi podmienkami životného prostredia.
- Spotrebný materiál vrátane batérií a žiaroviek.

- Časti bez funkcií a dekoračné časti, ktoré bežne neovplyvňujú normálne používanie spotrebiča, vrátane škrabancov a možných farebných zmien.
- Náhodné poškodenie spôsobené cudzími predmetmi alebo látkami, poškodenie čistiacich alebo uvoľnených filtrov, systém odvodu vody alebo zásuvky na saponáty.
- Poškodenie nasledujúcich častí: keramické sklo, príslušenstvo, koše na riad a príbor, prívodné a odtokové hadice, tesnenia, žiarovky a kryty osvetlenia, obrazovky, ovládacie gombíky, puzdrá a časti krytov. S výnimkou toho, že predmetné poškodenie je z dôvodu výrobných chyby.
- Opravy, ktoré neboli vykonané v autorizovanom stredisku a/alebo stredisku autorizovaného servisného partnera alebo prípady, kedy neboli použité originálne náhradné diely.
- Poruchy spôsobené nesprávnou inštaláciou alebo za nedodržania technických špecifikácií.
- Použitie spotrebiča v prostredí odlišnom od domácnosti, napr. profesionálne použitie.
- Poškodenia pri preprave. Ak zákazník prepravuje výrobok domov alebo na inú adresu, spoločnosť IKEA nepreberá žiadnu zodpovednosť za poškodenia spôsobené počas prepravy. V prípade, že výrobok na adresu zákazníka dopravuje spoločnosť IKEA, zodpovednosť za škody spôsobené pri preprave preberá spoločnosť IKEA.
- Náklady súvisiace s prvou inštaláciou výrobkov IKEA. Ak však poskytovateľ servisu vymenovaný spoločnosťou IKEA alebo jeho autorizovaný servisný partner opraví alebo vymení spotrebič na základe podmienok tejto záruky, vymenovaný poskytovateľ servisu alebo jeho autorizovaný servisný partner nainštalujú opravený spotrebič alebo v prípade potreby nainštalujú náhradný diel.

Ako sa aplikujú vnútroštátne predpisy

Záruka spoločnosti IKEA vám dáva konkrétne zákonné práva, ktoré pokrývajú alebo prekračujú všetky miestne zákonné požiadavky. Napriek tomu, tieto podmienky neobmedzujú žiadne práva spotrebiteľa predpísané vnútroštátnymi zákonmi a predpismi.

Oblasť platnosti

V prípade spotrebičov, ktoré sú zakúpené v jednej krajine EÚ a doručené do inej krajiny EÚ, budú služby poskytované v rámci záručných podmienok obvyklých v novej krajine. Povinnosť vykonávať servis v rámci záruky existuje iba vtedy, ak spotrebič vyhovuje a je nainštalovaný v súlade s:

- technickými parametrami platnými v krajine, kde sa záruka uplatňuje;
- pokynmi na montáž a bezpečnostnými opatreniami uvedenými v návode na používanie.

ZÁRUČNÝ SERVIS pre spotrebiče IKEA

Neváhajte kontaktovať spoločnosť IKEA v prípade:

- že potrebujete požiadať o servis v rámci tejto záruky;
- požiadajte o vysvetlenie funkcií spotrebičov IKEA.

Aby sa zabezpečilo, že naša pomoc bude čo najlepšia, prosíme, aby ste si predtým, ako nás budete kontaktovať, preštudovali Pokyny na inštaláciu a Návod na obsluhu spotrebiča.

Ako nás nájdete, ak potrebujete náš servis



Centrum zákazníckeho záručného servisu vám je k dispozícii telefonicky ohľadom základných riešení problémov týkajúcich sa vášho spotrebiča v momente vašej požiadavky na servis. Prosím pozrite si IKEA katalóg alebo navštívte www.ikea.com, ak chcete nájsť telefónne číslo na váš miestny obchod a otváracie hodiny.

Aby sme vám mohli poskytnúť rýchlejší servis, uveďte číslo výrobku IKEA (8 miestny kód) uvedený na typovom štítku vášho spotrebiča.

ODLOŽTE SI POKLADNIČNÝ BLOK!

Je to váš doklad o nákupe a je potrebný na uplatnenie záruky. Na pokladničnom bloku je okrem toho uvedený názov spotrebiča IKEA a číslo (8-znakový kód), a to pre každý spotrebič, ktorý ste si kúpili.

Potrebujete nejakú ďalšiu pomoc?

Ak máte nejaké ďalšie otázky netýkajúce sa záručnej opravy vášho výrobku, obráťte sa na zákaznícku linku spoločnosti IKEA. Odporúčame vám zoznámiť sa podrobne s dokumentáciou výrobku pred tým, než sa na nás obrátite.

Съдържание

Информация за безопасност.....	267	Грижи и почистване	275
Инструкции за безопасност.....	268	Отстраняване на неизправности	275
Описание на продукта.....	271	Технически данни.....	277
Индикатори.....	272	Енергийна ефективност	278
Ежедневна употреба	272	Грижи за околната среда.....	278
Таблица със съвети за готвене	273	Гаранция на IKEA.....	279
Насоки за готвене	273		

Информация за безопасност

- ⓘ За ваша безопасност и правилната работа на уреда, прочетете внимателно това ръководство, преди да го монтирате и използвате. Винаги пазете тези инструкции с уреда, дори ако го премествате или продавате. Потребителите трябва да са добре запознати как безопасно да работят с уреда.

Правилна употреба

- Не оставяйте уреда без надзор по време на работа.
- Уредът е създаден предимно за домашна употреба.
- Уредът е създаден предимно за употреба на закрито.
- Уредът не трябва да се използва за повърхност за работа или за повърхност съхранение.
- Не поставяйте или не съхранявайте запалими течности, силно запалими материали или разтопяеми предмети (напр. пластмасово покритие, пластмаса, алуминий) в или близо до уреда.
- Внимавайте при включване на електрически уреди в контакти близо до тях. Не позволявайте свързващите кабели да влизат в контакт с уреда, да остават под него или да се допират до горещи съдове за готвене.
- Не поправяйте уреда сами, за да предотвратите нараняване или повреда на уреда. Винаги се търсете помощ в най-близкия магазин на IKEA.

Безопасност за децата и за хората в неравностойно положение

- Този уред може да се използва от деца над 8 годишна възраст, както и от лица с ограничени физически, сетивни или умствени способности или такива без опит и познания, само когато са под надзор или са инструктирани как да използват уреда по безопасен начин и ако разбират свързаните с това опасности.
- Дръжте опаковката далеч от деца. Има риск от задушаване.
- Дръжте децата далеч от уреда, докато работи, а и когато не се употребява.
- Деца на възраст под 8 години не трябва да боравят с уреда, освен ако са под непрекъснато наблюдение.
- Децата не трябва да играят с уреда. Почистването и поддръжката на уреда не трябва да се извършват от деца без наблюдение.

⚠ ПРЕДУПРЕЖДЕНИЕ! Активирайте заключването от деца, за да избегнете случайно включване на уреда от малки деца или домашни любимци.

Обща безопасност

- Пред вентилационните отвори на уреда или на вградената конструкция не трябва да има никакви предмети.
- Не докосвайте панела, когато индикаторът за остатъчна топлина все още свети, за да предотвратите нараняване.
- Не поставяйте никакви предмети върху индукционния котлон по време на работа, за да предотвратите електрически удар.

- Не увивайте кабел около врата, за да предотвратите риск от задушаване.
- За почистване на уреда не трябва да се използва пароструйка.
- Върху повърхността на плота не трябва да се поставят метални предмети като ножове, вилици, лъжици и капаци, тъй като те могат да се нагорещят.
- След употреба изключете плота от контролния бутон и не разчитайте на детектора на съдове.
- Този уред не е предназначен за работа с външен таймер или с отделна система за дистанционно управление.
- Внимавайте да не докосвате нагриващите елементи.
- Ако захранващият кабел е повреден, за да се избегне опасност, той трябва да бъде подменен от производителя, от оторизиран сервизен център или от лица с подходяща квалификация. Свържете се с най-близкия магазин ИКЕА.
- Уредът е предназначен за домашна употреба и други подобни приложения, като например:
 - кухненски зони за персонала в магазини, офиси и други типове работна среда;
 - ферми;
 - от клиенти в хотели, мотели и други типове жилищни среди;
 - заведения, предлагащи подслон и закуска.

⚠ ВНИМАНИЕ: гореща повърхност. Повърхностите може да се нагорещят по време на употреба.

⚠ ПРЕДУПРЕЖДЕНИЕ! Ако повърхността е напукана, изключете уреда, за да избегнете вероятността от токов удар. Свържете се с най-близкия магазин ИКЕА.

⚠ ПРЕДУПРЕЖДЕНИЕ! При употреба уредът и достъпните му части се нагорещават.

⚠ ПРЕДУПРЕЖДЕНИЕ! Безнадзорното готвене на плота с мазнина или с олио може да е опасно и да предизвика пожар. НИКОГА не опитвайте да изгасите пожар с вода, а изключете уреда и покрийте пламъка напр. с капак или с огнеупорно одеяло.

Инструкции за безопасност

Монтаж

- Производителят не носи отговорност за никакви наранявания на лица и домашни любимци или за повреда на имущество, причинени от неспазване на следните изисквания.

⚠ ВНИМАНИЕ! За да продължите с монтажа, направете справка с Информацията за безопасност.

⚠ ПРЕДУПРЕЖДЕНИЕ! При монтажния процес трябва да се спазват законите, разпоредбите, директивите и стандартите (правила и разпоредби за безопасна работа с електрически уреди, правилно рециклиране в съответствие с разпоредбите и др.), които са валидни в страната на употреба!

- Избягвайте монтирането на уреда до врати и под прозорци, тъй като можете да съборите горещите съдове за готвене от котлона при отваряне на вратите и прозорците.
- Уверете се, че уредът не е повреден при транспортирането. Не включвайте в контакта повреден уред.
- Не монтирайте уреда, ако е повреден по време на транспортирането.
- Не свързвайте котлона с удължители и не го поставяйте така, че кабелът да преминава през работните помещения.
- Не сменяйте техническите данни или не променяйте продукта. Риск от нараняване и повреда на уреда.

⚠ ПРЕДУПРЕЖДЕНИЕ! Внимателно спазвайте инструкциите за включване в електрическата мрежа.

Електрически връзки

- Преди да включите се уверете, че номиналното напрежение на уреда, указано на табелката отговаря на наличното подавано напрежение. Освен това проверете номиналната мощност на уреда и се уверете, че домашната електрическа инсталация е с подходящ капацитет за мощността на уреда (вижте раздела „Технически данни“).
- Табелката се намира върху долния панел на котлона.

⚠ ПРЕДУПРЕЖДЕНИЕ! Риск от нараняване от електрически ток.

- Разхлабени и неподходящи щепсели и контакти може да доведат до прегряване на клемата.

Преди употреба:

Обърнете внимание на следните инструкции преди употреба.

- Използвайте контакт със стандартно електрозахранване и редовно проверявайте контакта, за да предотвратите всякакви повреди.
- Не отваряйте уреда сами или не допускайте отваряне от неквалифицирани лица. Уредът трябва да бъде ремонтиран само от сервизен представител или от техник с подходяща квалификация.
- Проверете захранващия кабел и щепсел. Не използвайте уреда, ако захранващият кабел или щепселът са повредени. Не издърпвайте щепсела с мокри ръце.
- Не използвайте удължители и използвайте само контакта за електрическо захранване.
- Ако уредът не е използван дълго време, след като го включите, първо изчакайте 10 минути да се стабилизира напрежението в електронните компоненти. След това можете да използвате уреда.
- Не използвайте уреда в близост до вода, огън или във влажни зони.

Уредът е предназначен САМО за битова употреба на закрито.

- Отстранете всички опаковки, стикери и фолио, преди да използвате уреда за първи път.
- След всяка употреба изключвайте зоните за готвене от копчетата и не разчитайте на датчика на тигана.
- Риск от изгаряне! Не поставяйте предмети от метал, като ножове, вилици, лъжици или капаци на тигани върху повърхността за готвене, тъй като могат да се нагряят.

⚠ ПРЕДУПРЕЖДЕНИЕ! Опасност от пожар! Пренагретите мазнини могат много бързо да се запалят.

⚠ ПРЕДУПРЕЖДЕНИЕ!

Потребителите с имплантирани пейсмейкъри трябва да държат горната част на тялото си на разстояние най-малко 30 cm от индукционните зони за готвене, които са включени.

⚠ ПРЕДУПРЕЖДЕНИЕ! Не работете с уреда с мокри ръце и дръжте панела за управление сух. Бутоните на панела за управление ще спрат да работят, ако върху тях попадане вода.

⚠ ПРЕДУПРЕЖДЕНИЕ! Ако повърхността е напукана, изключете уреда, за да избегнете вероятност от електрически удар.

По време на и след употреба:

Обърнете внимание на следните инструкции, за да предотвратите запалване и злополуки.

- Поставяйте уреда САМО на равна и стабилна повърхност.
- Наблюдавайте децата, за да сте сигурни, че не си играят с уреда.
- Когато уредът работи, не поставяйте никой от долуизброените предмети върху панела.
 - а) Неръждаема стомана
 - б) Желязо
 - в) Чугун
 - г) Алуминий
 - д) Капак и емайл

- f) Нож, вилица или лъжица
- g) Чиния, направена от желязо, неръждаема стомана, чугун или алуминий
- h) Празни съдове
- Не пренасяйте и не местете уреда по време на готвене, когато върху него има съдове.
- Поддържайте добра среда за вентилиране по време на нагряване.
- Не поставяйте кабели или метални предмети в отворите за входящ или изходящ въздух на уреда.
- Как да се грижим за панела.
 - a) Не изпускайте никакви тежки предмети върху панела.
 - b) Не изливайте вода, киселина или каквато и да е течност върху панела.
 - c) Не горете нищо с огън върху панела.
 - d) Не поставяйте горещи съдове за готвене върху плота, когато уредът не се използва.
 - e) Ако плотът (панелът) е напукан, незабавно изключете уреда, за да избегнете токов удар, и след това върнете уреда в най-близкия магазин на IKEA.
 - f) Някои съдове за готвене може да произведат шум по време на употреба. Леко преместете съда за готвене и шумът може да изчезне или да се намали. Ако не, сменете съда за готвене.
- Не поставяйте уреда върху килим, покривка или хартия, когато работи.
- Не докосвайте панела, докато е горещ. Панелът все още е горещ допи и при изключено положение.
- Не изключвайте уреда от контакта, като дърпате за кабела.
- Изключете уреда и изчакайте да се охлади, преди да извадите контакта. Изключвайте от уреда от контакта, когато няма да го използвате дълго време.

- След употреба не дръжте съдовете за готвене в близост до уреда.

Как да избегнете повреда на уреда

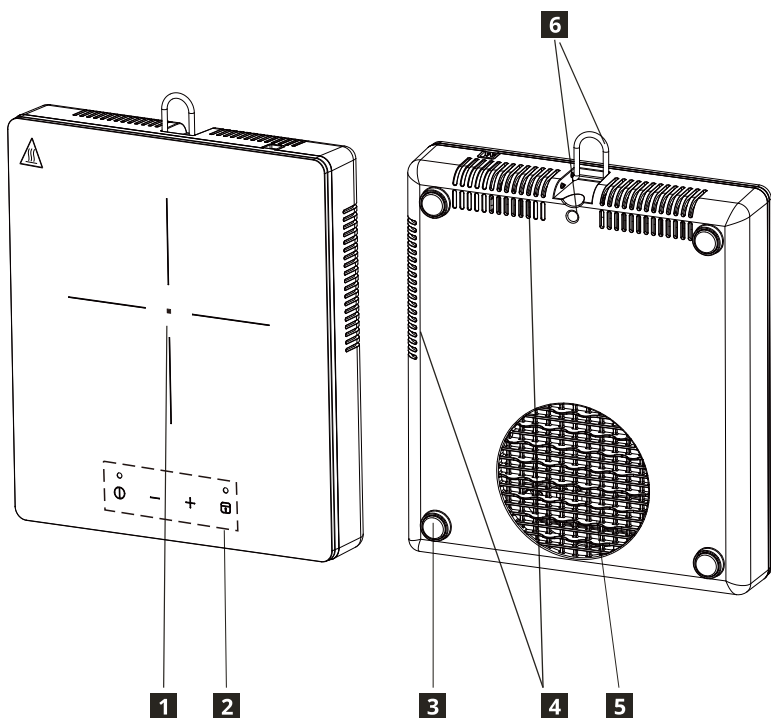
- Стъкленият керамичен плот може да бъде повреден от предмети, които паднат върху него или ако бъде ударен от съда за готвена.
- Съдовете за готвене, направени от чугун, лят алуминий или с повредени дъна могат да надраскат стъкления керамичен плот, ако се плъзнат върху повърхността.
- Стъкленият керамичен плот може да се повреди, ако го изпуснете на пода.
- За да избегнете повреждането на съдовете за готвене и стъкления керамичен плот, не оставяйте тенджери или тигани за пържене да извират докрай.
- Не използвайте зоните за готвене с празни съдове за готвене или без тях.
- Никога не покривайте част от уреда с алуминиево фолио. Никога не поставяйте пластмаса или друг материал, който може да се разтопи в или върху уреда.

⚠ ПРЕДУПРЕЖДЕНИЕ! Дръжте продукта свързан към електрическия контакт след употреба докато загаснат индикаторите за вентилатора и топлината.

Информация за акриламидите

Важно! Според последните научни открития, интензивното запържване на храната, особено при продукти с нишесте, може да представлява риск за здравето заради акриламидите. Следователно препоръчваме готвене на възможно най-ниски температури и без прекалено запържване.

Описание на продукта



- 1** Нагряваща се зона
Зона за готвене 170 mm,
2000 W
- 2** Панел за управление
- 3** Силиконови крака
- 4** Изходен вентилационен
отвор
- 5** Входен вентилационен
отвор
- 6** Кука за окачване

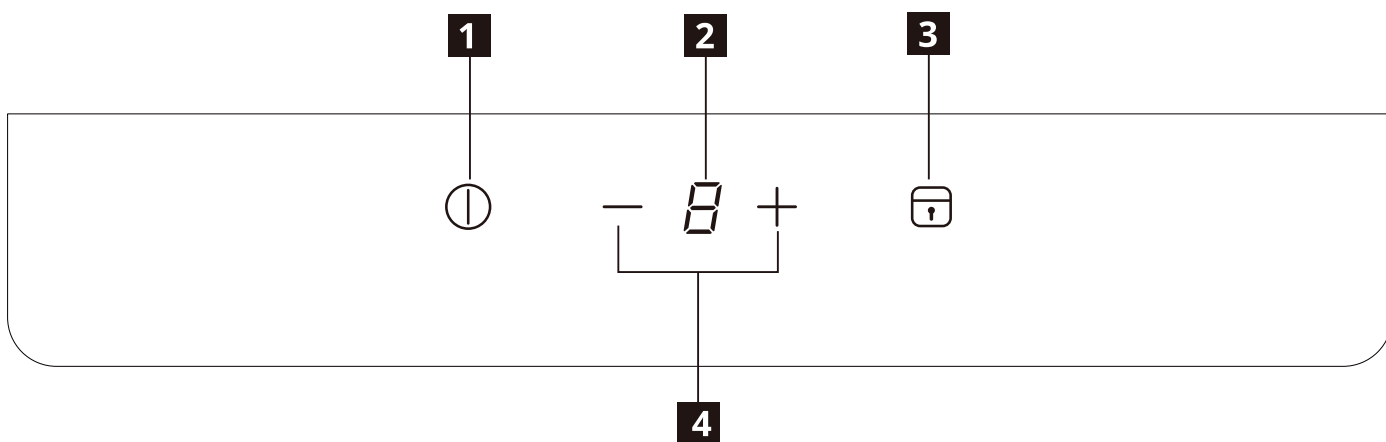


Схема на панела за управление

- 1** Включване/Изключване
- 2** Дисплей за ниво на мощност
- 3** Заклучване/Заклучване от деца
- 4** Регулиране на нивото на мощност - / +

Сензорни полета и индикатори за управление

Котлонът се управлява чрез натискане на сензорните полета. Индикаторите и звуковите сигнали (кратък сигнал) потвърждават избора на функция.

Ниво на мощност	1	2	3	4	5	6	7	8	9
Мощност	150 W	250 W	300 W	450 W	600 W	800 W	1100 W	1500 W	2000 W

Индикатори


Неправилно поставен или липсващ съд


Този символ се появява, ако съдът не е подходящ за готвене на индукционен котлон, не е поставен правилно или размерът му не е подходящ за избраната зона за готвене. Ако в рамките на 30 секунди след избор на зона не бъде отчетен съд, зоната за готвене се изключва.

Остатъчна топлина

Ако на дисплея свети индикаторът „Н“, зоната за готвене все още е нагорещена.

Когато зоната за готвене се охлади, индикаторът изгасва.

⚠ ПРЕДУПРЕЖДЕНИЕ! Риск от изгаряне от остатъчната топлина! След като изключите уреда, на зоните за готвене им трябва малко време да се охладят. Следете индикатора за остатъчна топлина .

Използвайте остатъчната топлина за разтопяване и претопляне на храната. Не изключвайте продукта, без да изчакате  да излезне от екрана.

Ежедневна употреба



Включване към контакт

1. След поставяне на щепсела в контакта трябва да се активира заключващото устройство за деца. Натиснете и задръжте ключа „Заключване за деца“ за 3 секунди, за да деактивирате.

Включване/Изключване

1. Натиснете бутона ВКЛЮЧВАНЕ/ИЗКЛЮЧВАНЕ, на екрана се появява „0“, както при режим на готовност и индикаторът за мощност светва. Ако в рамките на 30 секунди не бъде избрана настройка за мощност, котлонът ще се изключи автоматично, без да натискате бутона ВКЛЮЧВАНЕ/ИЗКЛЮЧВАНЕ
2. Натиснете бутона ВКЛЮЧВАНЕ/ИЗКЛЮЧВАНЕ по време на работа, котлонът ще се изключи.



Регулиране на нивото на мощност

1. Натиснете — или +, за да регулирате нивото на мощност по време на готвене.
2. Натиснете — за директно задаване на ниво на мощност „9“. Натиснете — за намаляване нивото на мощността от „9“ на „1“.
3. Натиснете + за увеличаване на мощността от „1“. Натиснете + за увеличаване на нивото на мощността от „1“ до „9“.



Функция за заключване

Когато зоната за готвене е включена, можете да заключите панела за управление, за да почистите котлона например. Така се предотвратява случайна промяна на нивото на мощност. Котлонът все още може да се изключи от бутона за включване/изключване.

Активиране на заключването

1. Задайте ниво на мощност.
2. Натиснете и задръжте бутона за заключване за 3 секунди. Активирането на функцията се сигнализира със светване на индикатора на бутона за заключване и звуков сигнал.

Деактивиране на заключването

1. Натиснете и задръжте бутона за заключване за 3 секунди. Деактивирането на функцията се сигнализира с изгасване на индикатора на бутона за заключване и звуков сигнал.
2. Нивото на мощността се връща до предишната настройка.

Функция за заключване от деца

Можете да държите панела за управление заключен, когато котлонът не работи. Тази функция предотвратява случайно включване на уреда.

Активиране на заключването от деца

1. Активирайте уреда с бутона ВКЛЮЧВАНЕ/ ИЗКЛЮЧВАНЕ Не задавайте ниво на мощност.
2. Натиснете и задръжте бутона за заключване за 3 секунди. Активирането на функцията се сигнализира със светване на индикатора на бутона за заключване и звуков сигнал.
3. Деактивирайте уреда с бутона ВКЛЮЧВАНЕ/ ИЗКЛЮЧВАНЕ

Деактивиране на заключването от деца

1. Натиснете и задръжте бутона за заключване за 3 секунди. Деактивирането на функцията се сигнализира с изгасване на индикатора на бутона за заключване и звуков сигнал.

Функция за автоматично изключване**Изключва автоматично котлона, ако:**

- Всички зони за готвене са изключени.
- Не за дадете ниво на мощност в рамките на 30 секунди след включване на котлона.
- Не изключите някоя от зоните за готвене или ако не промените нивото на мощност в продължение на 2 часа, или ако възникне прегряване (например когато съдържанието на съда изври).

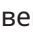
Таблица със съвети за готвене

Настройка за нагриване	Използвайте за:	Време (мин.)	Съвети
1	• Поддържане на готовото ястие топло.	според нуждите	Поставете капака на съда.
1-2	• Сос „Холандез“, разтопяване на: масло, шоколад, желатин.	5-25	Разбърквайте от време на време.
2-3	• Бавно варене на ориз и ястия с мляко, затопляне на готови ястия.	25-50	Добавете най-малко два пъти повече течност отколкото ориза, разбърквайте ястията с мляко по средата на процедурата.
4-5	• Готвене на пара на зеленчуци, риба, месо, картофи.	20-45	Добавете малко количество вода.
	• Готвене на големи количества храна, яхнии.	60-150	Добавете малко количество вода.
5-6	• Запържване: кордон бльо с телешко, котлети, кюфтета, колбаси, панирани хапки, яйца.	според нуждите	Обърнете от другата страна по средата на готвенето.
7-8	• Картофени кюфтета, пържоли.	5-15	Обърнете от другата страна по средата на готвенето.
9	• Завиране на вода, готвене на паста, запечатване на месо (за гулаш, печено говеждо), пържене на картофи.		

Насоки за готвене**Подходящи съдове за готвене**

Използвайте само тенджери и тигани с дъно от феромагнитен материал, които са подходящи за употреба с индукционни котлони:

- Чугун
- Емайлирана стомана
- Въглеродна стомана
- Неръждаема стомана (не всички типове са подходящи)
- Алуминий с феромагнитно покритие или феромагнитна плоча

За да прецените дали даден съд е подходящ, проверете дали има символ  (обикновено отбелязан на дъното). Може също да доближите магнит до дъното. Ако магнитът прилепне към дъното, съдът е подходящ за индукционен котлон.

За да осигурите оптимална ефективност, винаги използвайте тенджери и тигани с равно дъно, което разпределя топлината равномерно. Ако дъното не е равно, това ще окаже влияние върху мощността и провеждането на топлината.

Начин на употреба

Минимален диаметър на съда за различните зони за готвене

За да осигурите правилна работа на котлона, съдът трябва да покрива една или повече от референтните точки, отбелязани на повърхността на котлона, и трябва да има подходящ минимален диаметър.

Винаги използвайте зоната за готвене, която съответства най-точно на диаметъра на дъното на съда.

Зона за готвене	Препоръчителен диаметър на съда [mm]
Средна, задна зона за готвене	120-180

Празни съдове или съдове с тънко дъно

Не поставяйте на котлона празни съдове или съдове с тънко дъно, той като уредът няма да може да се следи температурата или ще се изключи автоматично, ако температурата е прекалено висока, а това може да доведе до повреда на съда или повърхността на котлона. Ако това се случи, не докосвайте нищо и изчакайте всички компоненти да се охладят.

Ако се появи съобщение за грешка, направете справка в раздела „Отстраняване на неизправности“.

Съвети

Шум по време на готвене

Когато зоната за готвене е активирана, може да чуете за кратко леко бръмчене. То е характерно за всички зони за готвене с керамичен плот, не нарушава функциите и не намалява живот на уреда. Шумът зависи от използвания съд. Ако шумът е дразнещ, може би трябва да смените съда за готвене.

Нормални шумове при работа на индукционния котлон

Индукционната технология се основава на създаването на електромагнитни полета за генериране на топлина директно в дъното на съда. Тенджерите и тиганите може да издават различни звуци или вибрации в зависимост от начина, по който са произведени. Тези шумове могат да бъдат описани по следния начин:

Нискочестотно бръмчене (като при трансформатор)

Такъв шум се получава при готвене на висока температура. Създава се от количеството енергия, предадена от плота към готварския съд. Шумът спира или намалява, когато нивото на мощността бъде намалено.

Тихо свистене

Такъв шум се получава, когато съдът за готвене е празен. Шумът престава, след като в съда бъдат поставени течности или хранителни продукти.

Пукане

Този шум се появява при съдове, изработени с отделни слоеве от различни материали. Предизвиква се от вибрациите на контактните повърхности между различните материали. Шумът се генерира вътре в съда и може да е различен в зависимост от количеството хранителни продукти или течности, както и начина на готвене (напр. варене на силен или тих огън, пържене).

Силно свистене

Този шум се появява при съдове, изработени с отделни слоеве от различни материали, когато се използват при максимална мощност или върху две зони за готвене. Шумът спира или намалява, когато нивото на мощността бъде намалено.

Нормални шумове: Шум от вентилатор

За правилната работа на електрическата система е необходимо температурата на котлона да бъде регулирана. Затова котлонът е оборудван с вентилатор за охлаждане, който се включва с цел намаляване и регулиране на температурата на електрическата система. Възможно е вентилаторът да продължи да работи след изключване на уреда, ако отчетената температура на котлона продължава да бъде висока.

Ритмични звуци, подобни на тиктакане на часовник

Този шум се появява, когато работят поне три зони за готвене едновременно, и изчезва или отслабва, когато някоя от тях бъде изключена. Описаните шумове са нормален елемент от индукционната технология и не трябва да бъдат считани за дефекти.

Грижи и почистване

⚠ ПРЕДУПРЕЖДЕНИЕ! Изключете уреда и го оставете да изстине, преди да извадите щепсела от контакта.

⚠ ПРЕДУПРЕЖДЕНИЕ! Изключете уреда и го оставете да изстине, преди да го почистите.

⚠ ПРЕДУПРЕЖДЕНИЕ! С оглед на безопасността, не почиствайте уреда с парочистачка или почистващи препарати под налягане.



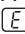

⚠ ПРЕДУПРЕЖДЕНИЕ! Острите предмети и абразивните почистващи препарати ще повредят уреда. Почистете уреда и премахнете остатъците с вода и сапун след всяка употреба. Отстранете и остатъците от почистващите препарати!

ⓘ Надраскване или тъмни петна върху стъкления керамичен панел, които не могат да се премахнат не пречат на функционирането на уреда.

Отстраняване на остатъци и упорити остатъци:

- Остатъци от храни със захар, пластмаси, станиол трябва да се премахват веднага, като най-добрият инструмент за почистване на стъклената повърхност е скреперът (не е в комплекта на уреда). Поставете скрепера върху стъклената керамична повърхност под ъгъл и отстранете остатъците като плъзгате острието по повърхността. Избършете уреда с влажна кърпа и малко сапун. И накрая, избършете уреда с чиста кърпа.
- Пръстени от варовик, вода, пръски от мазнина, обезцветявания на метала трябва да се отстраняват след изстиване на уреда, като се използва почистващ препарат за стъклено керамично покритие или неръждаема стомана.

Отстраняване на неизправности

Проблем	Вероятна причина	Решение
Уредът не работи.	Недостиг на мощност или късо съединение в електрозахранването на вашия дом.	
	Неправилно включване на контакта.	Прегледайте дали котлонът е правилно свързан с електрозахранването.
	Над 10 секунди са изминали от включването на уреда.	Включете отново уреда.
	Заклучването от деца е активирано.	Деактивирайте заключването от деца. (Вижте раздел „Устройство за безопасност на децата“).
	Няколко сензорни полета бяха докоснати едновременно.	Докоснете само едно сензорно поле.
Уредът спира да работи. Индикация за грешка:  → 	Съдът не е подходящ за индукционен котлон.	Сменете с подходящ за индукция съд за готвене.
	Върху зоната за готвене няма съд или диаметърът на съда и по-малък от 120 mm.	Поставете съд за готвене върху зоната за готвене.
Уредът спира да работи. Индикация за грешка:  → 	Съдът за готвене е празен (изврял е до дъно) или температурата за готвене е прекалено висока.	Изключете уреда и го рестартирайте след 5 минути. Ако грешката E2 не изчезне, потърсете помощ в най-близкия магазин на IKEA.
	Въздуховодите за входящ/изходящ въздух са блокирани.	
	Температурата на околната среда е прекалено висока.	

Уредът спира да работи. Индикация за грешка: E → E3	Напрежението на електрическата инсталация е по-високо от AC 275 V.	Сменете с подходящо за продукта електрозахранване.
Уредът спира да работи. Индикация за грешка: E → E4	Основното електрозахранване е по-ниско от AC 100 V.	Сменете с подходящо за продукта електрозахранване.
Уредът спира да работи. Индикация за грешка: E → E5	Температурният сензор на уреда не работи.	Свържете се с най-близкия магазин IKEA.
Уредът спира да работи. Индикация за грешка: E → E6		
Уредът спира да работи. Индикация за грешка: E → E0	Вътрешно изключение	Изключете уреда и го рестартирайте след 5 минути. Ако грешката E0 не изчезне, потърсете помощ в най-близкия магазин на IKEA.

Когато при включен котлон бъде отчетена грешка, кодът на грешката – E и номер – мига на дисплея (на интервал от 1 секунда).

Ако възникне грешка, опитайте да отстраните проблема, като следвате инструкциите за отстраняване на неизправности. Ако проблемът не може да бъде разрешен, потърсете помощ в

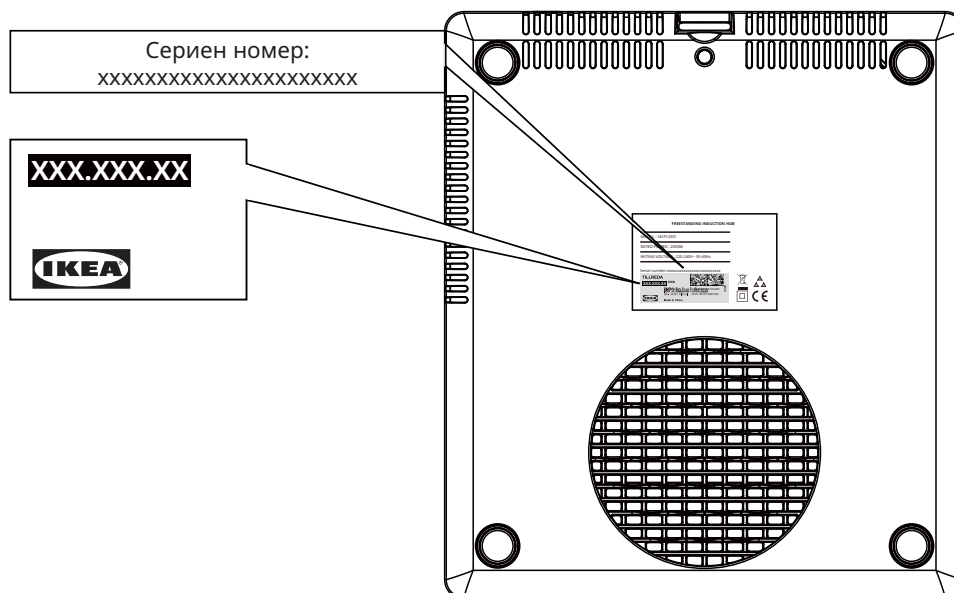
най-близкия магазин на IKEA.

ⓘ Ако неправилно сте работили с уреда, търговецът може да не го поправи безплатно дори и през гаранционния период.

Технически данни

Модел	14CP12301
Тип котлон	Свободностоящ индукционен котлон
Брой зони и/или площи за готвене	1
Номинална мощност	2000 W
Номинално напрежение	220 - 240 V~
Номинална честота	50 - 60 Hz
Дълбочина	305 mm
Ширина	270 mm
Височина	62 mm
Нето тегло	2,33 kg

Сериен номер
(започва с SN,
22-цифрен код)
Номер на артикул
(8-цифрен код)




Снимката е само за справка

Енергийна ефективност

Идентификация на модела	14CP12301
Тип котлон	Преносим уред
Брой зони за готвене	1
Технология на нагриване	Индукция
Диаметър на кръглите зони за готвене (Ø)	170 mm
Консумация на електроенергия от една зона за готвене (консумация при готвене на електричество)	184 Wh/kg
Консумация на електроенергия от котлона (консумация на електрически котлон)	184 Wh/kg
Информация за относно консумацията на енергия от продукта и време за достигане на режим на работа с ниска мощност	изключено състояние: 0,5 W
Максимално необходимо време за достигане на режим на работа с ниска мощност	5 секунди
Директива 2009/125/ЕО, РЕГЛАМЕНТ НА КОМИСИЯТА (ЕС) № 66/2014, EN 60350-2:2018+A1:2021.	

Грижи за околната среда


Изхвърляне на домакински уреди

Символът  върху продукта или неговата опаковка показва, че този продукт не може да се счита за домашен отпадък. Вместо това, трябва да се носи в съответния пункт за събиране на отпадъци за рециклиране на електрически и електронни продукти. Като се погрижите този продукт да бъде изхвърлен по подходящ начин, вие помагате за предотвратяване на възможни негативни последствия за околната среда и човешкото здраве, които, в противен случай, могат да се случат при неправилното изхвърляне на този продукт. За по-подробна информация относно рециклирането на този продукт, свържете се с вашия местен съвет, службата за изхвърляне на домакински отпадъци или с магазина, в който сте закупили продукта.

⚠ ПРЕДУПРЕЖДЕНИЕ! Следвайте тези стъпки за изхвърляне на уреда:

- Издърпайте щепсела от контакта.
- Отрежете захранващия кабел и го изхвърлете.

Изхвърляне на опаковъчните материали

Материалите със символ  могат да се рециклират. Изхвърлете опаковката в подходящ контейнер за събиране, за да се рециклира.

Пестене на електричество

- Ако е възможно, винаги поставяйте капаци върху тиганите.
- Поставете съдовете за готвене върху зоната за готвене преди да го включите.
- Дъното на съда за готвене трябва да е възможно най-дебел и равен.

Гаранция на IKEA

Докога е валидна гаранцията на IKEA?

Тази гаранция е валидна за срок от 2 години считано от датата на първоначалната покупка на уреда от IKEA, освен ако не е предвидено друго в съответното национално законодателство. Моля, влезте на IKEA.com, за да разберете какви срокове се прилагат във Вашата държава.

За доказателство за покупката се изисква оригиналната касова бележка. Ако уредът бъде ремонтиран, докато е в гаранция, това няма да удължи гаранционния срок.

Кой извършва ремонта?

Свържете се с най-близкия магазин IKEA.

Какво покрива тази гаранция?

Гаранцията покрива повреди на уреда, които са предизвикани от неизправна конструкция или дефект на материала считано от датата на закупуване от IKEA.

Тази гаранция важи само за уреди за домашна употреба.

Изключенията са посочени под заглавието „Какво не покрива тази гаранция?“ В рамките на гаранционния период се покриват разходите за отстраняване на повредата, напр. ремонт, резервни части, труд и пътуване, при условие, че уредът е достъпен за ремонт без специални разходи. Заменените части стават собственост на IKEA.

Какво прави IKEA за отстраняване на проблема?

IKEA проверява продукта и решава по свое усмотрение дали гаранцията покрива съответния дефект. Ако счете, че неизправността се покрива от IKEA, по своя собствена преценка, или ремонтира неизправния продукт или го заменя със същия или с подобен продукт.

Какво не покрива тази гаранция?

- Нормалното износване и изхабяване.
- Умишлени повреди или повреди поради небрежност, повреди, причинени от неспазване на инструкциите за експлоатация, неправилен монтаж или чрез свързване към неподходящо напрежение, повреди, причинени от химични или електрохимични реакции, ръжда, повреди от корозия или вода, включително, но не само, повреди, причинени от прекомерно количество варовик в подаваната вода, повреди, причинени от необичайни условия на околната среда.
- Консумативи, включително батерии и лампи.

- Нефункционални и декоративни части, които не влияят на обичайната употреба на уреда, включително надрасквания и възможни разлики в цвета.
- Случайни повреди, причинени от чужди предмети или вещества, както и почистване или отпушване на филтри, дренажни системи или контейнери за сапун.
- Повреди по следните части: стъклокерамични части, аксесоари, кошници за съдове и прибори, хранващи и дрениращи тръби, уплътнения, лампи и капаци за лампи, екрани, ключове, корпуси и части от тях. Освен когато може да се докаже, че тези щети са причинени от производствени дефекти.
- Ремонти, които не са извършени от нашите доставчици на сервизни услуги и/или упълномощен сервиз с договор за партньор или когато не са използвани оригинални части.
- Ремонти, наложени поради монтаж, който не е извършен правилно или съгласно спецификациите.
- Употребата на уреда в среда извън дома, т.е. за професионална употреба.
- Повреди при транспортиране. Ако клиент транспортира продукта до дома си или до друг адрес, IKEA не носи отговорност за никакви повреди, които могат да възникнат по време на транспортирането. Но ако IKEA достави продукта до адреса за доставка на клиента, тогава щетата по продукта, която е възникнала по време на тази доставка се покрива от IKEA.
- Разходите за извършването на първоначалния монтаж на уреда IKEA. Въпреки това, ако уредът се ремонтира или сменя от определен от IKEA доставчик на сервизни услуги или негов упълномощен сервизен партньор съгласно условията на тази гаранция, одобреният доставчик на сервизни услуги или неговият упълномощен сервизен партньор ще инсталира повторно ремонтирания уред или новия уред, ако е необходимо.

Как се прилага законодателството на страната

Гаранцията на IKEA Ви дава конкретни законови права, които покриват или надвишават всички местни законови изисквания. Но тези условия не ограничават по никакъв начин потребителските права, предвидени в местното законодателство.

Сфера на действие

За уреди, които са закупени в държава от ЕС и са транспортирани в друга държава от ЕС, услугите се предоставят в рамките на гаранционните условия, обичайно прилагани в другата държава. Задължение за извършване на ремонт в рамките на гаранцията съществува единствено, ако уредът отговаря на следните документи и е монтиран в съответствие с тях:

- техническите спецификации на държавата, в която е предявен гаранционният иск;
- инструкциите за монтаж и информацията за безопасност в Ръководството за употреба.

СЛЕДПРОДАЖБЕНО ОБСЛУЖВАНЕ за уреди на ИКЕА

Не се колебайте да се свържете с ИКЕА:

- за да предявите иск за ремонт по тази гаранция;
- за да поискате разяснение на функциите на уредите на ИКЕА.

За да се уверите, че ви предлагаме най-добрата помощ, прочетете внимателно инструкциите за монтаж и/или Ръководството за потребителя преди да се свържете с нас.

Как да се свържете с нас, ако имате нужда от наш сервиз



Центърът за следпродажбено обслужване на клиенти на ИКЕА ще ви помогне по телефона с основния проблем за вашия уред в момента на обаждането със запитване за сервиз. Вижте каталога на ИКЕА или посетете www.ikea.com, за да откриете телефона и работното време на вашия местен магазин.

За да ви обслужим по-бързо, винаги се позовавайте на номера на артикула от ИКЕА (8-цифрен код), записан на табелката на уреда.

ЗАПАЗЕТЕ КАСОВАТА БЕЛЕЖКА!

Тя е Вашето доказателство за покупка и се изисква, за да важи гаранцията. В касовата бележка са записани името ИКЕА и номера на артикула (8-цифров код) за всеки закупен от вас уред.

Имате ли нужда от допълнителна помощ?

Ако имате допълнителни въпроси, които не са свързани със следпродажбеното обслужване на уреда, се свържете с кол центъра на най-близкия магазин ИКЕА. Препоръчваме Ви да прочетете внимателно документите към уреда, преди да се свържете с нас.

Sadržaj

Sigurnosne informacije.....	281	Održavanje i čišćenje.....	289
Sigurnosne upute	282	Otklanjanje poteškoća.....	289
Opis proizvoda	284	Tehnički podaci.....	290
Indikatori.....	285	Energetska učinkovitost.....	291
Svakodnevna uporaba.....	286	Briga o okolišu	291
Stol za kuhanje	287	IKEA jamstvo	292
Smjernice za posuđe	287		

Sigurnosne informacije

ⓘ Za vašu sigurnost i ispravan rad uređaja, pažljivo pročitajte ovaj priručnik prije instalacije i uporabe. Uvijek držite ove upute uz uređaj čak i ako ga preselite ili prodate. Korisnici moraju u potpunosti biti upoznati s rukovanjem i sigurnosnim značajkama uređaja.

Ispravna uporaba

- Uređaj tijekom rada ne ostavljajte bez nadzora.
- Uređaj je osmišljen isključivo za uporabu u kućanstvu.
- Uređaj je osmišljen isključivo za uporabu u zatvorenom.
- Uređaj se ne smije rabiti kao radna površina ili površina za odlaganje.
- Ne stavljajte zapaljive tekućine, visoko zapaljive materijale ili topljive predmete (npr. plastičnu foliju, plastiku, aluminijski) unutar ili u blizinu uređaja.
- Budite pažljivi pri ukopčavanju električnih uređaja u obližnje utičnice. Pazite da naponski kabeli ne dođu u dodir s ili ne budu zahvaćeni ispod uređaja ili vrelog posuđa.
- Uređaj ne popravljajte sami kako se ne bi ozlijedili ili oštetili uređaj. Uvijek se obratite najbližoj IKEA trgovini.

Sigurnost djece i nemoćnih osoba

- Djeca iznad 8 godina starosti te osobe smanjenih tjelesnih, osjetilnih ili umnih sposobnosti, odnosno nedovoljnog iskustva i znanja mogu se služiti ovim uređajem samo ako ih se nadzire ili ako su upućene u sigurnu uporabu uređaja i razumiju uključene opasnosti.

- Svugdje držite podalje od djece. Postoji rizik od gušenja.
- Djecu držite podalje od uređaja tijekom rukovanja kao i kada je van uporabe.
- Djecu ispod 8 godina starosti treba držati podalje osim ako su pod stalnim nadzorom.
- Djeca se ne smiju igrati uređajem. Djeca ne smiju čistiti i održavati uređaj, osim ako su pod nadzorom.

⚠ UPOZORENJE! Aktivirajte zaštitnu bravicu za djecu kako biste izbjegli nenamjerno uključivanje uređaja od strane male djece i kućnih ljubimaca.

Opća sigurnost

- Ventilacijski otvori kućišta uređaja ili ugrađene strukture ne smiju biti blokirani.
- Ne dodirujte ploču dok je lampica pokazatelja preostale topline još uvijek upaljena kako biste spriječili ozljedu.
- Ne umećite nikakav predmet u indukcijsku ploču tijekom rada kako bi spriječili električni udar.
- Ne omatajte kabel oko vrata kako bi spriječili opasnost od gušenja.
- Uređaj se ne smije čistiti parnim čistačem.
- Metalni predmeti poput noževa, vilica i žlica te poklopci ne smiju se stavljati na površinu ploče jer se mogu jako zagrijati.
- Nakon uporabe, isključite ploču upravljačkom tipkom i nemojte se pouzdati u detektor tave.
- Ovaj uređaj nije namijenjen upravljanju uz pomoć vanjskog tajmera ili zasebnog sustava daljinskog upravljača.
- Pazite da ne dodirujete grijaće elemente.

- Ako je naponski kabel oštećen, može ga zamijeniti samo proizvođač, ovlaštenu servisnu centar ili kvalificirana osoba kako bi se izbjegla opasnost. Molimo obratite se najbližoj IKEA robnoj kući.
- Uređaj je namijenjen uporabi u kućanstvu ili sličnoj primjeni kao što su:
 - čajnoj kuhinji za zaposlenike u dućanima, uredima i drugim radnim okruženjima;
 - kućanstva na farmi;
 - gosti hotela, motela i sličnih okruženja boravišnih prostora;
 - ugostiteljski objekti poput pansiona.

⚠ OPREZ: Vruća površina. Površine se mogu zagrijati tijekom uporabe.

⚠ UPOZORENJE! Ako je površina napukla, isključite uređaj kako bi izbjegli rizik od električnog udara. Molimo obratite se najbližoj IKEA robnoj kući.

⚠ UPOZORENJE! Uređaj i njegovi električni dijelovi užareni su tijekom uporabe.

⚠ UPOZORENJE! Kuhanje s masti ili uljem na ploči potrebno je nadgledati zbog potencijalne opasnosti od požara. NIKADA ne pokušavajte ugasiti vatru vodom, već isključite uređaj te pokrijte plamen npr. poklopcem ili protupožarnom dekom.

Sigurnosne upute

Montaža

- Proizvođač ne preuzima nikakvu odgovornost u slučaju ozljeda osoba ili kućnih ljubimaca ili oštećenja imovine nastalih uslijed nepridržavanja sljedećih zahtjeva.
- ⚠ **OPREZ!** Za nastavak postavljanja pročitajte Sigurnosne informacije.
- ⚠ **UPOZORENJE!** Postupak postavljanja mora slijediti važeće zakone, propise, direktive i standarde (propise o sigurnosti i zdravlju pri radu s električnom energijom, propise o ispravnom odlaganju, itd.) u zemlji uporabe!
- Izbjegavajte postavljanje uređaja u blizinu vrata i ispod prozora jer se vrelo posuđe može prevrnuti s ploče pri otvaranju vrata i prozora.
- Pobrinite se da se uređaj ne ošteti tijekom prijevoza. Ne spajajte oštećeni uređaj.
- Ne postavljajte uređaj ako je oštećen uslijed prijevoza.

- Ploču ne spajajte produžnim kabelima i ne postavljajte ploču s kabelom preko radne površine.
- Ne izmjenjujte specifikacije niti činite preinake ovog proizvoda. Postoji rizik od ozljede i oštećenja uređaja.

⚠ **UPOZORENJE!** Pažljivo slijedite upute za električne priključke.

Električni priključci

- Prije spajanja, provjerite da nazivni napon uređaja naveden na nazivnoj pločici, odgovara dostupnom napajanju. Također, provjerite snagu napajanja uređaja i provjerite odgovara li nazivna snaga uređaja snazi električne instalacije kuće (pogledajte poglavlje Tehnički podaci).
- Nazivna pločica nalazi se na donjoj strani kućišta ploče.
- ⚠ **UPOZORENJE!** Postoji rizik od ozljede električnom energijom.
- Labav i neodgovarajući utikač i utičnica mogu uzrokovati pregrijavanje električnog priključka.

Prije uporabe:

Molimo prije uporabe obratite pažnju na sljedeće upute.

- Molimo koristite standardnu naponsku utičnicu, i redovito ju provjeravajte kako bi spriječili moguću štetu.
- Uređaj ne smijete otvarati sami niti to smije bilo koja osoba koja nije kvalificirana. Uređaj smije popravljati isključivo servisni zastupnik ili kvalificirani tehničar.
- Molimo provjerite kabel i utikač. Ako je mrežni kabel ili utikač oštećen, nemojte ga koristiti. Utikač ne iskopčavajte mokrim rukama.
- Ne koristite produžni kabel, molimo koristite samo glavnu naponsku utičnicu.
- Ako se uređaj ne koristi duže vrijeme, najprije ga uključite kako bi se 10 minuta stabilizirala elektronička komponenta. Nakon toga možete početi upravljati uređajem.
- Uređaj ne upotrebljavajte u blizini vode, vatre ili u vlažnom prostoru. Uređaj je namijenjen za uporabu SAMO u zatvorenom domaćinstvu.
- Prije prve upotrebe uklonite svu ambalažu, naljepnice i foliju.
- Nakon svake uporabe isključite sve zone kuhanja uz pomoć upravljačkih tipki i nemojte se pouzdati u otkrivač tave.
- Rizik od opekline! Ne postavljajte metalne predmete, poput noževa, vilica, žlica i poklopaca tava na površinu za kuhanje, jer se mogu jako užariti.

⚠ UPOZORENJE! Opasnost od požara! Pregrijane masnoće i ulja mogu se vrlo brzo zapaliti.

⚠ UPOZORENJE! Korisnici s ugrađenim premosnicama moraju gornji dio tijela držati najmanje 30 cm od uključenih polja indukcijskog kuhanja.

⚠ UPOZORENJE! Uređajem ne rukujte mokrim rukama i površinu upravljačke ploče održavajte suhom. Veća količina vode na upravljačkim tipkama na ploči oštetit će ih, uslijed čega će tipke prestati raditi.

⚠ UPOZORENJE! Ako je površina napukla, isključite uređaj kako biste izbjegli rizik od električnog udara.

Tijekom i nakon uporabe:

Molimo obratite pažnju na sljedeće upute kako bi izbjegli zapaljenje i nezgode.

- Uređaj postavljajte SAMO na ravnu i čvrstu površinu.
- Djecu je potrebno nadgledati kako se ne bi igrala uređajem.
- Dok uređaj radi, ne stavljajte sljedeće predmete na ploču.
 - a) Nehrđajući čelik
 - b) Željezo
 - c) Lijevano željezo
 - d) Aluminij
 - e) Poklopac i emajl
 - f) Nož, vilica, žlica
 - g) Tanjur od željeza, nehrđajućeg čelika, lijevanog željeza ili aluminija
 - h) Prazno posuđe za kuhanje
- Ne nosite niti ne premještajte uređaj s posudama za kuhanje postavljenim na njega tijekom zagrijavanja.
- Molimo osigurajte odgovarajuće strujanje zraka tijekom zagrijavanja.
- Nemojte umetati nikakve žice ili metalne predmete u ulaz ili izlaz za zrak na uređaju.
- Kako održavati ploču.
 - a) Ne ispuštajte teške predmete na ploču.
 - b) Na ploču ne izlijevajte vodu, kiselinu niti bilo kakvu drugu tekućinu.
 - c) Na ploči ne palite ništa plamenom.
 - d) Nemojte stavljati vruće posuđe na vrh dok uređaj nije u upotrebi.
 - e) Ako je površina (ploča) napukla, odmah isključite uređaj kako biste izbjegli strujni udar i vratite uređaj u najbližu IKEA trgovinu.
 - f) Neke kuhinjske posude mogu stvarati zvuk tijekom uporabe. Molimo malo pomaknite kuhinjsku posudu, i zvuk će se stišati ili nestati. Ako zvuk ne nestane, molimo zamijenite kuhinjsku posudu.

- Uređaj ne stavljajte na tepih, tkaninu ili papirni materijal dok uređaj radi.
- Ne dodirujte ploču dok je vrela. Ploča je vrela i nakon što se pokazatelj preostale topline ugasi, čak i ako je napon isključen.
- Ne isključujte uređaj povlačeći kabel.
- Isključite aparat i ostavite ga da se ohladi prije nego što isključite mrežni kabel. Isključite kabel za napajanje ako uređaj nećete koristiti duže vrijeme.
- Nakon uporabe držite posuđe dalje od uređaja.

Kako izbjeći oštećenja uređaja

- Staklena keramika može se oštetiti padom predmeta na nju, ili udarcem posuđa za kuhanje.
- Posuđe za kuhanje od lijevanog željeza, lijevanog aluminija ili oštećenog dna može ostaviti ogrebotine na staklenoj keramici ako kliže po površini.
- Staklena keramika se također može oštetiti padom na pod.

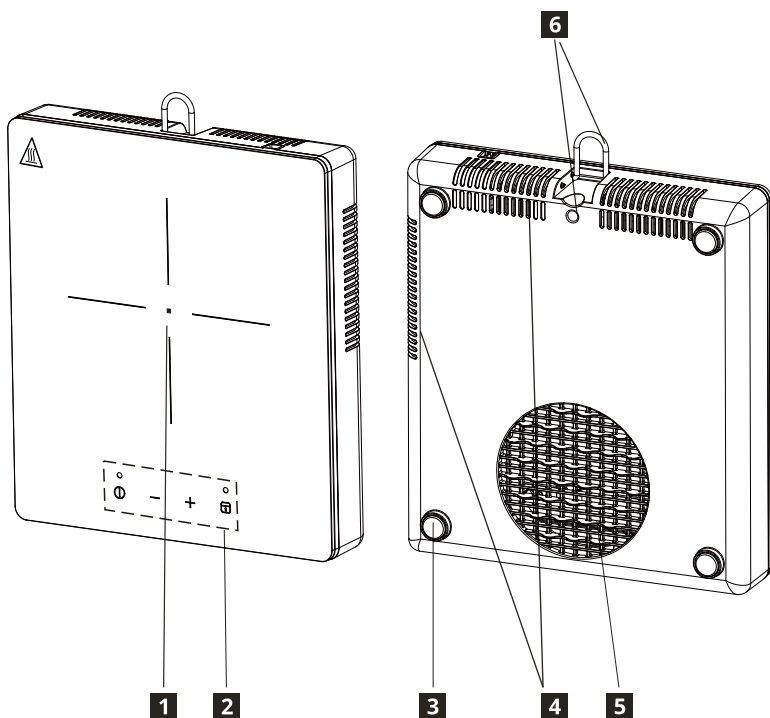
- Kako bi izbjegli oštećenje kuhinjskog posuđa i staklene keramike, ne ostavljajte prazne tave na vreloj površini.
- Ne koristite polja za kuhanje s praznim posuđem ili bez posuđa na njima.
- Nikada nemojte oblagati dijelove uređaja aluminijском folijom. Na uređaj nikada ne stavljajte plastiku ili druge materijale koji se mogu otopiti.

⚠ UPOZORENJE! Uređaj ostavite ukopčanim u napon nakon uporabe sve dok se ventilator i pokazatelj grijanja ne isključe.

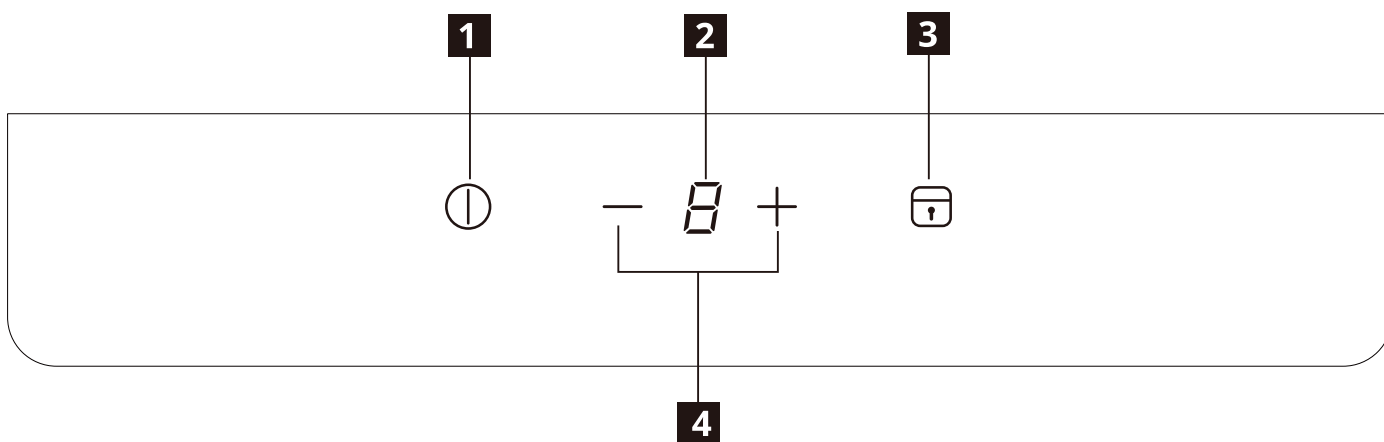
Informacije o akrilamidima

Važno! Prema posljednjim znanstvenim saznanjima, intenzivno tamnjenje hrane, posebno proizvoda koji sadrže škrob, može predstavljati opasnost po zdravlje zbog akrilamida. Stoga preporučamo kuhanje na najnižim mogućim temperaturama bez pretjeranog tamnjenja hrane.

Opis proizvoda



- 1** Područje grijanja
Zona kuhanja 170 mm, 2000 W
- 2** Upravljačka ploča
- 3** Silikonsko postolje
- 4** Ispuh zraka
- 5** Dovod zraka
- 6** Kukica za vješanje



Dizajn upravljačke ploče

- 1** Uključivanje/Isključivanje **3** Zaključavanje/dječja bravica
2 Prikaz razine snage **4** Prilagođavanje razine snage - / +

Polja senzora i prikaz dodirnih kontrola

Pločom upravljate dodirnom polja senzora.

Zaslon i zvučni signali (kratki zvučni signal) potvrđuju odabir funkcije.

Razina snage	1	2	3	4	5	6	7	8	9
Snaga	150 W	250 W	300 W	450 W	600 W	800 W	1100 W	1500 W	2000 W

Indikatori

⚠ Lonac nije pravilno postavljen ili ga nema

Ovaj simbol se pojavljuje ako posuda nije prikladna za indukcijsko kuhanje, nije ispravno postavljena ili nije odgovarajuće veličine za odabranu zonu kuhanja. Ako u roku od 30 sekundi od odabira nije otkriven lonac, zona kuhanja se isključuje.

H Zaostala toplina

Ako zaslon prikazuje "H", polje za kuhanje je još vruće. Kad se zona za kuhanje ohladi,

zaslon se isključuje.

⚠ UPOZORENJE! Preostala toplina predstavlja rizik od opekline! Nakon isključenja uređaja, potrebno je neko vrijeme da se polja kuhanja ohlade. Pogledajte pokazatelj preostale topline **H**.

Preostalu toplinu koristite za otapanje i zagrijavanje hrane.

Ne iskopčavajte uređaj prije nego **H** nestane sa zaslona.

Svakodnevna uporaba



Ukopčavanje u utičnicu

1. Nakon ukopčavanja utikača u naponsku utičnicu, dječja zaštita se aktivira. Pritisnite i držite tipku za dječju zaštitu 3 sekunde za deaktivaciju.

Uključivanje/Isključivanje

1. Pritisnite tipku UKLJUČIVANJE/ISKLJUČIVANJE, zaslon prikazuje "0" kao u pripravnim stanju i lampica pokazatelja napona će zasvijetliti. Ako u roku od 30 sekundi nije odabrana postavka zagrijavanja, ploča za kuhanje automatski će se isključiti bez pritiska na tipku UKLJUČIVANJE/ISKLJUČIVANJE.
2. Pritisnite tipku UKLJUČIVANJE/ISKLJUČIVANJE tijekom rada, ploča se isključuje.



Prilagođavanje razine snage

1. Pritisnite — ili + kako biste regulirali razinu snage tijekom rada uređaja.
2. Pritisnite —, razina topline se odmah postavlja na "9". Pritisnite — za smanjenje razine topline s "9" na "1".
3. Pritisnite + uslijed čega će se razina snage povećati s "1". Pritisnite + za povećanje razine topline s "1" na "9".



Funkcija zaključavanja

Kad zona za kuhanje radi, možete zaključati upravljačku ploču, na primjer, kako biste očistili ploču za kuhanje. Time ćete spriječiti nenamjernu promjenu razine snage. Ploča se još uvijek može isključiti tipkom Uključivanje/Isključivanje.

Aktivirajte bravicu

1. Prilagodite razinu snage po želji.
2. Pritisnite tipku Zaključaj na 3 sekunde. Funkcija je aktivirana kada svijetli indikator tipke za zaključavanje i kad se oglasi zvuk.

Deaktivirajte bravicu

1. Pritisnite tipku Zaključaj na 3 sekunde. Funkcija se deaktivira kada se indikator tipke za zaključavanje ugasi i oglasi zvuk.
2. Razina snage vratit će se na prethodnu postavku.

Funkcija dječje bravice

Upravljačku ploču možete držati zaključanom i kada ploča za kuhanje nije u pogonu. Ova funkcija sprečava slučajno uključivanje uređaja.

Aktivirajte dječju bravicu

1. Aktivirajte uređaj tipkom UKLJUČIVANJE/ISKLJUČIVANJE. Ne prilagođavajte razinu snage.
2. Pritisnite tipku Zaključaj na 3 sekunde. Funkcija je aktivirana kada svijetli indikator tipke za zaključavanje i kad se oglasi zvuk.
3. Deaktivirajte uređaj pritiskom tipke UKLJUČIVANJE/ISKLJUČIVANJE.

Deaktivirajte dječju bravicu

1. Pritisnite tipku Zaključaj na 3 sekunde. Funkcija se deaktivira kada se indikator tipke za zaključavanje ugasi i oglasi zvuk.

Automatsko isključenje

Funkcija automatski isključuje ploču ako:

- Su sva polja za kuhanje isključena.
- NE prilagođavajte razinu snage nakon uključivanja ploče u roku od 30 sekundi.
- NE isključujte zonu za kuhanje niti mijenjajte razinu snage nakon 2 sata ili ako dođe do pregrijavanja (npr. kad se tava osuši).

Stol za kuhanje


Postavka topline	Upotrijebite za:	Vrijeme (min)	Savjeti
1	• Održava kuhanu hranu toplom.	prema potrebi	Stavite poklopac na posude.
1 – 2	• Holandez umak, otopite: maslac, čokoladu, želatinu.	5 – 25	Promiješajte s vremena na vrijeme.
2 – 3	• Zakuhajte rižu i jela na bazi mlijeka, podgrijavajte gotova jela.	25 – 50	Dodajte najmanje dva puta više tekućine od količine riže i na pola vremena kuhanja promiješajte mliječna jela.
4 – 5	• Na pari kuhajte povrće, ribu, meso, krumpire.	20 – 45	Dodajte malu količinu vode.
	• Kuhajte veće količine hrane i variva.	60 – 150	Dodajte malu količinu vode.
5 – 6	• Pržite na laganoj vatri: teleći cordon bleu, kotlete, pečenice, kobasice, zaprške, jaja.	prema potrebi	Na pola kuhanja okrenite.
7 – 8	• Restani krumpir, odreske.	5 – 15	Na pola kuhanja okrenite.
9	• Zakuhavajte vodu, kuhajte tjesteninu, pržite meso (gulaš, pečenku), pržite krumpiriće.		

Smjernice za posuđe

Koje lonce koristiti

Koristite samo lonce i tave s dnom izrađenim od feromagnetskog materijala koji su pogodni za upotrebu s indukcijskim pločama za kuhanje:

- Lijevano željezo
- Emajlirani čelik
- Ugljični čelik
- Nehrđajući čelik (ne sve vrste)
- Aluminijski s feromagnetskom prevlakom ili feromagnetska ploča

Kako biste utvrdili jesu li lonac ili tava prikladni provjerite simbol  (obično je utisnut na dnu). Na dnu možete držati i magnet. Ako se prilijepi za donju stranu, posuđe će raditi na indukcijskoj ploči.

Kako biste osigurali optimalnu učinkovitost uvijek koristite lonce i tave s ravnim dnom koje ravnomjerno raspoređuju toplinu. Ako je dno neravno, to će utjecati na snagu i toplinsku vodljivost.

Kako koristiti?

Minimalni promjer dna lonca/tave za različita područja kuhanja

Kako bi se osiguralo pravilno funkcioniranje ploče za kuhanje, lonac mora prekriti jednu ili više postavljenih točaka označenih na površini ploče i mora biti odgovarajućeg minimalnog promjera.

Uvijek koristite zonu za kuhanje koja najbolje odgovara promjeru dna posude.

Polje kuhanja	Preporučeni promjer posuđa [mm]
Srednje stražnje polje kuhanja	120 – 180

Prazni ili lonci/tave s tankim dnom

Na ploči za kuhanje ne koristite prazne lonce/tave ili one s tankim dnom jer ploča neće moći regulirati temperaturu ili će se automatski isključiti ako je temperatura previsoka te će tako oštetiti posudu ili površinu ploče. Ako se to dogodi, ne dirajte ništa i pričekajte da se sve komponente ohlade.

Ako se prikaže poruka o pogrešci, pogledajte "Otklanjanje poteškoća".

Savjet/napomene**Šum tijekom kuhanja**

Kad je zona za kuhanje aktivna, može se nakratko čuti šum. Ovo je značajka svih zona kuhanja od keramičkog stakla i ne narušava funkciju niti vijek trajanja uređaja. Šum ovisi i o posudu koje koristite. Ako vam to smeta, šum možete smanjiti tako da promijenite posuđe.

Normalna buka u radu indukcijske ploče za kuhanje

Indukcijska tehnologija temelji se na stvaranju elektromagnetskih polja za stvaranje topline izravno na dnu posuđa. Lonci i tave mogu uzrokovati različite zvukove ili vibracije, ovisno o tome kako su proizvedeni.

Ovi zvukovi su opisani na sljedeći način:

Tiho zujanje (poput transformatora)

Zvuk nastaje prilikom kuhanja na visokoj razini topline. Temelji se na količini prenesene energije s ploče za kuhanje na posuđe.

Buka prestaje ili se stišava kada se razina topline smanji.

Tiho zviždanje

Zvuk nastaje kada je posuda za kuhanje prazna. Prestaje čim u posudu stavite tekućine ili hranu.

Pucketanje

Ova buka se javlja kod posuđa napravljenog od različitih materijala postavljenih jedan na drugi. Uzrokovana je vibracijama površina na kojima se susreću različiti materijali. Zvuk se javlja na posudu i može varirati ovisno o količini hrane ili tekućine i načinu kuhanja (npr. kuhanje, pirjanje, prženje).

Glasno zviždanje

Ova buka javlja se kod posuđa izrađenog od različitih materijala postavljenog jedan na drugi, kada se ono dodatno koristi pri najvećoj izlaznoj snazi i također na dvije zone za kuhanje. Buka prestaje ili se stišava kada se razina topline smanji.

Ovi zvukovi su normalni Zvukovi ventilatora

Za pravilan rad elektroničkog sustava potrebno je regulirati temperaturu ploče za kuhanje. U tu svrhu, ploča za kuhanje opremljena je ventilatorom za hlađenje, koji se aktivira kako bi smanjio i regulirao temperaturu elektroničkog sustava. Ventilator može nastaviti raditi i nakon što se uređaj isključi ako je otkrivena temperatura ploče za kuhanje još uvijek prevruća nakon isključivanja.

Ritmički zvukovi, slični otkucajima sata

Ovaj zvuk se javlja samo kada rade najmanje tri zone za kuhanje i nestaje ili slabi kada se neke od njih isključe.

Opisani šumovi normalni su element indukcijske tehnologije i ne smiju se smatrati nedostacima.

Održavanje i čišćenje

⚠ UPOZORENJE! Isključite uređaj i ostavite da se ohladi prije iskopčavanja iz napona.

⚠ UPOZORENJE! Isključite uređaj i ostavite da se ohladi prije čišćenja.

⚠ UPOZORENJE! Iz sigurnosnih razloga, uređaj ne čistite parnim čistačima ili čistačima visokog pritiska.

⚠ UPOZORENJE! Oštri predmeti i abrazivna sredstva za čišćenje oštetit će uređaj. Očistite uređaj i uklonite ostatke vodom i sredstvom za pranje posuđa nakon svake uporabe. Također uklonite ostatke sredstva za čišćenje!

ⓘ Ogrebotine i tamne mrlje na staklenoj keramici koje se ne mogu ukloniti neće utjecati na rad uređaja.

Uklanjanje ostataka i tvrdokornih ostataka:

- Hranu koja sadrži šećer, plastiku, ostatke aluminijske folije treba odmah ukloniti, najbolje pomagalo za čišćenje staklene površine je lopatica (nije priložena uz uređaj). Lopaticu postavite pod kutom na staklenu keramičku površinu i uklonite ostatke klizanjem ruba lopatice po površini. Obrišite uređaj vlažnom krpom uz malo deterdženta za posuđe. Uređaj osušite čistom krpom.
- Tragovi kamenca, mrlje od vode, masnoća, sjajne metalne promjene boje treba ukloniti nakon što se uređaj ohladi uz pomoć sredstva za čišćenje staklene keramike i nehrđajućeg čelika.

Otklanjanje poteškoća

Problem	Mogući uzrok	Rješenje
Uređaj ne radi.	U napajanju vašeg kućanstva došlo je do nestanka struje ili kratkog spoja.	
	Naponski kabel nije ispravno ukopčan u utičnicu.	Provjerite je li ploča ispravno spojena na napajanje.
	Više od 10 sekundi je prošlo od uključanja uređaja.	Ponovno uključite uređaj.
	Dječja bravica je uključena.	Deaktivirajte dječju bravicu. (pogledajte odjeljak "Sigurnosna blokada za djecu").
	Istovremeno je dodirnuto nekoliko senzornih polja.	Dodirnite samo jedno senzorno polje.
Uređaj naglo prekida s radom. Pokazatelj greške: E → U	Kuhinjsko posuđe nije prikladno za indukcijsko kuhalo.	Zamijenite posuđe onim koje je prikladno za indukcijsko kuhalo.
	Nema posuđa na zoni za kuhanje ili je promjer posuđa manji od 120 mm.	Stavite posudu na polje za kuhanje.
Uređaj naglo prekida s radom. Pokazatelj greške: E → 2	Posuda je prazna (suho kuhanje) ili je temperatura kuhanja previsoka.	Isključite uređaj i ponovno ga pokrenite nakon 5 minuta. Ako se i dalje prikazuje E2, obratite se najbližoj IKEA trgovini.
	Otvori za upuh i ispuh zraka su blokirani.	
	Okolna temperatura je previsoka.	
Uređaj naglo prekida s radom. Pokazatelj greške: E → 3	Glavni izvor napona je viši od AC 275 V.	Promijenite na prikladniji napon.
Uređaj naglo prekida s radom. Pokazatelj greške: E → 4	Glavni izvor napona je slabiji od AC 100 V.	Promijenite na prikladniji napon.

Uređaj naglo prekida s radom. Pokazatelj greške: E → 5	Temperaturni senzor uređaja ne radi.	Molimo obratite se najbližoj IKEA robnoj kući.
Uređaj naglo prekida s radom. Pokazatelj greške: E → 6		
Uređaj naglo prekida s radom. Pokazatelj greške: E → 0	Unutarnja iznimka	Isključite uređaj i ponovno ga pokrenite nakon 5 minuta. Ako se i dalje prikazuje EO, obratite se najbližoj IKEA trgovini.

Kôd pogreške pokazuje kada je ploča uključena i postoji pogreška, a slovo E i brojevi se prikazuju s prekidom (1 sekunda) i uzastopce.

Ako postoji greška, pokušajte je riješiti slijedeći upute za rješavanje problema. Ako problem nije moguće riješiti, obratite se najbližoj IKEA trgovini.

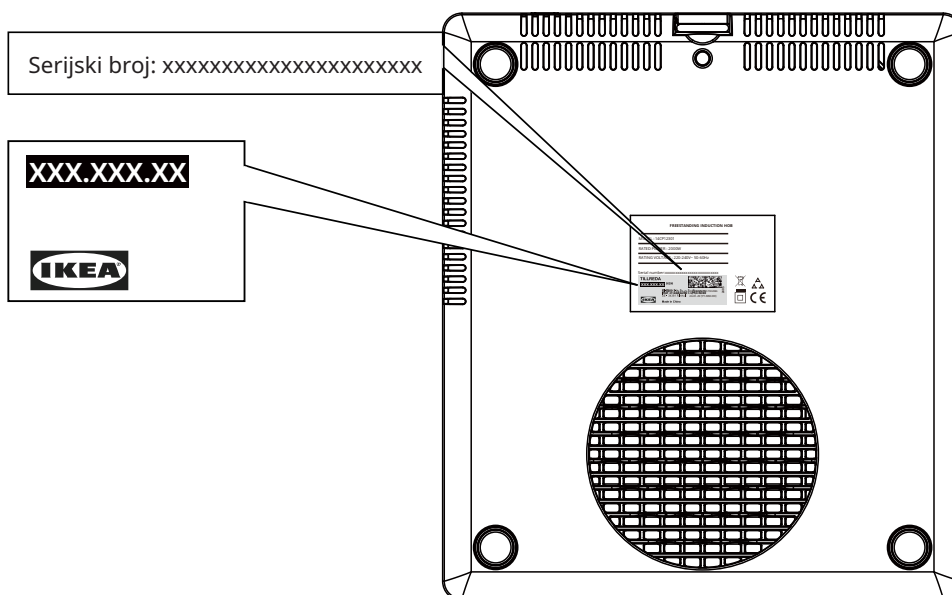
ⓘ Ako ste uređajem neispravno rukovali, trgovac ga možda neće zamijeniti bez naknade, čak i tijekom valjanosti jamstva.

Tehnički podaci

Model	14CP12301
Vrsta ploče za kuhanje	Samostojeća indukcijska ploča za kuhanje
Broj zona za kuhanje i/ili područja	1
Nazivna snaga	2000 W
Nazivni napon	220 - 240 V~
Nazivna frekvencija	50 - 60 Hz
Dubina	305 mm
Širina	270 mm
Visina	62 mm
Neto težina	2,33 kg

Serijski broj (počinje sa SN, 22-znamenkasti broj)

Broj artikla (8-znamenkasti broj)




Slika služi samo u ilustrativne svrhe

Energetska učinkovitost

Naziv modela	14CP12301
Vrsta ploče za kuhanje	Prijenosni aparat
Broj zona za kuhanje	1
Tehnologija zagrijavanja	Indukcija
Promjer kružnih zona za kuhanje (Ø)	170 mm
Potrošnja energije po zoni kuhanja (EC električno kuhanje)	184 Wh/kg
Potrošnja energije ploče za kuhanje (EC električna ploča)	184 Wh/kg
Podaci o proizvodu u vezi potrošnje energije i vremena da se dosegne primjenjivi način niske potrošnje energije	isklj.: 0,5 W
Maks. vrijeme potrebno da uređaj uđe u način niske potrošnje energije	5 sekundi
Direktiva 2009/125/EC, UREDBA KOMISIJE (EU) br. 66/2014, EN 60350-2:2018+A1:2021.	

Briga o okolišu


Zbrinjavanje kućanskih uređaja

Simbol  na proizvodu ili njegovoj ambalaži označava da se proizvod ne smije odložiti u kućanski otpad. Potrebno ga je odnijeti na prikladno odlagalište za reciklažu električne i elektroničke opreme. Ispravnim odlaganjem proizvoda pomažete u sprečavanju potencijalno nepovoljnih posljedica na okoliš i ljudsko zdravlje, koje bi mogle nastati neispravnim odlaganjem ovog proizvoda. Za detaljnije informacije o recikliranju ovog proizvoda, molimo obratite se lokalnim nadležnim vlastima, odlagalištu kućnog otpada ili robnoj kući u kojoj ste kupili proizvod.

⚠ UPOZORENJE! Za odlaganje uređaja učinite sljedeće:

- Iskopčajte utikač iz naponske utičnice.
- Odrežite naponski kabel i odložite ga u otpad.

Zbrinjavanje ambalaže

Materijale označene simbolom  moguće je reciklirati. Ambalažu odložite na odgovarajuće mjesto za reciklažu.

Štednja energije

- Ako je moguće, na posuđe uvijek stavite poklopac.
- Posudu stavite na polje za kuhanje prije nego ga uključite.
- Dno posuđa treba biti ravno i što deblje.

IKEA jamstvo

Koliko dugo vrijedi IKEA jamstvo?

Ovo jamstvo vrijedi 2 godine od izvornog datuma kupnje uređaja u IKEA-i, osim ako nije drugačije navedeno u nacionalnom zakonodavstvu. Posjetite IKEA.com kako biste saznali što se primjenjuje u vašoj zemlji.

Kao dokaz kupnje potrebno je imati izvorni račun. Ako se servisni radovi izvode pod jamstvom, to neće produžiti jamstveno razdoblje za uređaj.

Tko izvršava servisne usluge?

Obratite se najbližoj IKEA robnoj kući.

Što je pokriveno ovim jamstvom?

Jamstvo pokriva kvarove na uređaju koji su nastali zbog neispravnosti konstrukcije ili materijala na datum kupnje uređaja u trgovini IKEA.

Ovo se jamstvo odnosi samo na kućnu uporabu. Iznimke su navedene pod naslovom "Što nije pokriveno ovim jamstvom?" Unutar jamstvenog razdoblja troškovi otklanjanja kvara tj. popravak, dijelovi, rad i putovanja bit će pokriveni, pod uvjetom da je uređaj dostupan za popravak bez posebnih troškova. Zamijenjeni dijelovi postaju vlasništvo IKEA-e.

Što će IKEA učiniti kako bi riješila problem?

IKEA će ispitati proizvod i prema vlastitom nahođenju odlučiti je li nedostatak pokriven ovim jamstvom. Ako se smatra pokrivenim, IKEA će, prema vlastitom nahođenju, obaviti popravak neispravnog proizvoda ili ga zamijeniti jednakim ili odgovarajućim proizvodom.

Što nije pokriveno ovim jamstvom?

- Istrošenost pri normalnoj uporabi.
- Namjerna oštećenja ili oštećenja nastala uslijed nemarnosti, nepoštivanja uputa za rad, neispravne instalacije ili ukopčavanje na pogrešan napon, kao posljedica kemijskih ili elektrokemijskih reakcija, hrđe, korozije ili prodora vode, koja obuhvaćaju ali se ne ograničavaju na oštećenja prouzročena pretjeranom količinom kamenca u vodovodu i abnormalnim uvjetima okoliša.
- Potrošni dijelovi uključujući baterije i žarulje.

- Nefunkcionalni i ukrasni dijelovi koji ne utječu na uobičajenu uporabu uređaja, uključujući bilo kakve ogrebotine i moguće razlike u boji.
- Slučajna oštećenja prouzročena stranim predmetima ili tvarima i čišćenjem ili deblokiranjem filtera, sustava za ispuštanje vode ili ladica za sredstvo za pranje.
- Oštećenja sljedećih dijelova: staklokeramike, pribora, košara za posuđe i pribora za jelo, dovodnih i odvodnih cijevi, brtvi, žarulja i poklopaca za žarulje, zaslona, gumba, kućišta i dijelova kućišta. Osim ako se može dokazati da su ta oštećenja prouzročena greškama u proizvodnji.
- Popravci koji nisu izvršeni od strane naših pružatelja usluga i/ili ugovorno ovlaštenih servisnih partnera ili ako se nisu koristili originalni rezervni dijelovi.
- Popravci prouzročeni pogrešno izvršenim instalacijama ili instalacijama koje nisu u skladu sa specifikacijom.
- Uporaba uređaja u ne-kućanske, odnosno profesionalne svrhe.
- Oštećenja prouzročena prijevozom. U slučaju da kupac prevozi proizvod do svog doma ili na neku drugu adresu, IKEA nije odgovorna za bilo kakva oštećenja nastala tijekom prijevoza. Međutim, ako tvrtka IKEA isporuči proizvod na adresu kupca, u tom slučaju troškove oštećenja proizvoda nastalih tijekom isporuke pokrit će IKEA.
- Troškovi izvođenja prve instalacije IKEA uređaja. Međutim, ako pružatelj usluga ovlašten od strane tvrtke IKEA ili njegov ovlašten servisni partner popravi ili zamijeni uređaj prema uvjetima ovog jamstva, ovlašten pružatelj usluga ili njegov ovlašten servisni partner ponovno će ugraditi popravljeni uređaj ili zamjenski, ako je potrebno.

Primjena lokalnih zakona

Jamstvo tvrtke IKEA daje vam posebna zakonska prava koja pokrivaju ili premašuju sve lokalne zakonske zahtjeve. Međutim, ovi uvjeti ne ograničavaju ni na koji način potrošačka prava zajamčena lokalnim zakonodavstvom.

Područje valjanosti

Za uređaje koji su kupljeni u jednoj zemlji EU-a i odneseni u drugu zemlju EU-a, usluge će se pružati u okviru jamstvenih uvjeta uobičajenih u novoj zemlji. Obveza servisiranja u okviru jamstva postoji samo ako je uređaj usklađen i instaliran prema:

- tehničkim specifikacijama zemlje u kojoj se podnosi zahtjev za jamstvom;
- uputama za montažu i Sigurnosnim informacijama u Uputama za uporabu.

KORISNIČKA PODRŠKA za IKEA uređaje

Molimo obratite se IKEA robnoj kući:

- radi podnošenja zahtjeva za servisiranje prema ovom jamstvu;
- radi dodatnih informacija u vezi s funkcijama IKEA uređaja.

Kako bismo vam zajamčili dobivanje najbolje pomoći, prije nego što nas kontaktirate, pažljivo pročitajte Upute za montažu i/ili Upute za uporabu.

Kako doći do nas ako trebate našu uslugu



IKEA centar za korisničku podršku pomoći će vam telefonski oko osnovnih rješavanja problema za vaš uređaj za vrijeme telefonskog servisnog zahtjeva. Molimo pogledajte IKEA katalog ili posjetite web stranicu www.ikea.com za broj telefona i radno vrijeme vaše lokalne robne kuće.

Kako bi vam pružili bržu uslugu, molimo uvijek navedite broj IKEA artikla (8-znamenkasti kod) koji se nalazi na nazivnoj pločici vašeg uređaja.

SAČUVAJTE RAČUN!

To je dokaz o kupnji i potreban je za korištenje jamstva. Isto tako, na računu možete naći naziv i broj IKEA artikla (8-znamenkasti broj koda) za svaki od uređaja koji ste kupili.

Trebate li dodatnu pomoć?

Za sva dodatna pitanja o vašem uređaju koja nisu vezana s ovlaštenim servisnim centrom, molimo vas da kontaktirate najbliži pozivni centar robne kuće IKEA. Savjetujemo vam da pažljivo pročitate dokumentaciju koja se odnosi na uređaj prije nego što nas kontaktirate.

Περιεχόμενο

Πληροφορίες ασφαλείας.....	294	Φροντίδα και καθαρισμός.....	303
Οδηγίες ασφαλείας.....	295	Αντιμετώπιση προβλημάτων.....	303
Περιγραφή προϊόντος.....	298	Τεχνικά στοιχεία.....	305
Ενδείξεις.....	299	Ενεργειακή απόδοση.....	306
Καθημερινή χρήση.....	300	Περιβαλλοντικά θέματα.....	306
Πίνακας μαγειρέματος.....	301	Εγγύηση ΙΚΕΑ.....	307
Οδηγίες για μαγειρικά σκεύη.....	301		

Πληροφορίες ασφαλείας

- Ⓢ Για την ασφάλειά σας και τη σωστή χρήση της συσκευής, διαβάστε προσεκτικά αυτό το εγχειρίδιο πριν από την εγκατάσταση και τη χρήση. Αποθηκεύστε αυτές τις οδηγίες μαζί με τη συσκευή, ακόμη κι όταν τη μεταφέρετε ή την πουλήσετε. Οι χρήστες πρέπει να γνωρίζουν πλήρως τη λειτουργία και τα χαρακτηριστικά ασφαλείας της συσκευής.

Ορθή χρήση

- Μην αφήνετε τη συσκευή χωρίς παρακολούθηση κατά τη λειτουργία της.
- Η συσκευή έχει σχεδιαστεί μόνο για οικιακή χρήση.
- Η συσκευή έχει σχεδιαστεί μόνο για χρήση σε εσωτερικούς χώρους.
- Η συσκευή δεν πρέπει να χρησιμοποιείται ως επιφάνεια εργασίας ή ως επιφάνεια αποθήκευσης.
- Μην τοποθετείτε ή αποθηκεύετε εύφλεκτα υγρά και υλικά ή εύτηκτα αντικείμενα (π.χ. πλαστικές μεμβράνες, πλαστικά, αλουμίνιο) μέσα ή κοντά στη συσκευή.
- Προσέχετε καθώς συνδέετε ηλεκτρικές συσκευές σε κοντινές πρίζες. Μην αφήνετε να έρθουν σε επαφή ή να πιαστούν κάτω από τη συσκευή ή τα ζεστά μαγειρικά σκεύη καλώδια σύνδεσης.
- Μην πραγματοποιείτε επισκευές για να αποφύγετε τυχόν τραυματισμούς ή ζημιές στη συσκευή. Επικοινωνείτε πάντα με το πλησιέστερο κατάστημα ΙΚΕΑ.

Ασφάλεια παιδιών και ευπαθών ατόμων

- Η παρούσα συσκευή μπορεί να χρησιμοποιηθεί από παιδιά ηλικίας 8 ετών και άνω και από άτομα με μειωμένες σωματικές, αισθητηριακές ή πνευματικές δυνατότητες ή έλλειψη εμπειρίας και γνώσης, εφόσον επιβλέπονται ή έχουν λάβει οδηγίες σχετικά με τη χρήση της συσκευής με ασφαλή τρόπο και κατανοούν τους κινδύνους που ενέχονται.
- Διατηρείτε όλα τα υλικά συσκευασίας μακριά από παιδιά. Υπάρχει κίνδυνος ασφυξίας.
- Μην αφήνετε τα παιδιά να πλησιάζουν τη συσκευή, είτε βρίσκεται σε λειτουργία είτε όχι.
- Τα παιδιά ηλικίας μικρότερης των 8 ετών δεν πρέπει να πλησιάζουν τη συσκευή αν δεν βρίσκονται υπό επιτήρηση.
- Τα παιδιά δεν πρέπει να παίζουν με τη συσκευή. Ο καθαρισμός και η συντήρηση από τον χρήστη δεν πρέπει να πραγματοποιούνται από παιδιά χωρίς επίβλεψη.

⚠ ΠΡΟΕΙΔΟΠΟΙΗΣΗ! Ενεργοποιήστε το παιδικό κλείδωμα για να αποφύγετε την τυχαία ενεργοποίηση της συσκευής από μικρά παιδιά και κατοικίδια.

Γενικές πληροφορίες ασφαλείας

- Διατηρείτε τις οπές αερισμού στο περίβλημα της συσκευής ή στην εσωτερική δομή ελεύθερες και χωρίς εμπόδια.
- Μην αγγίζετε την επιφάνεια όταν ο δείκτης εναπομένουσας θερμότητας εξακολουθεί να είναι αναμμένος, για να αποφύγετε τραυματισμούς.

- Μην εισάγετε κανένα αντικείμενο μέσα στην επαγωγική εστία κατά τη λειτουργία, για να αποφύγετε τον κίνδυνο ηλεκτροπληξίας.
- Μην τυλίγετε το καλώδιο γύρω από το λαιμό για να αποφύγετε κίνδυνο πνιγμού.
- Δεν πρέπει να εφαρμόζεται καθαρισμός με ατμό σε αυτή τη συσκευή.
- Τα μεταλλικά αντικείμενα, όπως τα μαχαίρια, τα πιρούνια, τα κουτάλια και τα καπάκια από κατσαρόλες, δεν πρέπει να τοποθετούνται στην επιφάνεια της εστίας, επειδή μπορεί να ζεσταθούν.
- Μετά από τη χρήση, απενεργοποιήστε την εστία από τα πλήκτρα ελέγχου και μην βασίζεστε στον ανιχνευτή σκεύους.
- Αυτή η συσκευή δεν πρέπει να ελέγχεται από εξωτερικό χρονοδιακόπτη ή ξεχωριστό σύστημα τηλεχειρισμού.
- Προσέχετε, ώστε να αποφεύγετε την επαφή με τα θερμαινόμενα στοιχεία.
- Αν το καλώδιο τροφοδοσίας έχει υποστεί ζημιά, θα πρέπει να αντικατασταθεί από τον κατασκευαστή, από εξουσιοδοτημένο κέντρο σέρβις ή από αντίστοιχα καταρτισμένο τεχνικό για την αποφυγή ενδεχόμενων κινδύνων. Επικοινωνήστε με το πλησιέστερο κατάστημα ΙΚΕΑ.
- Η παρούσα συσκευή προορίζεται για οικιακή χρήση και παρόμοιες εφαρμογές, όπως:
 - προσωπικό κουζίνας σε καταστήματα, γραφεία και άλλα επαγγελματικά περιβάλλοντα,
 - αγροικίες,
 - χρήση από πελάτες σε ξενοδοχεία, μοτέλ, πανσιόν και άλλα περιβάλλοντα οικιακού τύπου,
 - πανσιόν.

⚠️ ΠΡΟΣΟΧΗ: καυτή επιφάνεια, Οι επιφάνειες θερμαίνονται υπερβολικά κατά τη χρήση.

⚠️ ΠΡΟΕΙΔΟΠΟΙΗΣΗ! Αν η επιφάνεια ραγίσει, απενεργοποιήστε τη συσκευή για να αποφύγετε το ενδεχόμενο ηλεκτροπληξίας. Επικοινωνήστε με το πλησιέστερο κατάστημα ΙΚΕΑ.

⚠️ ΠΡΟΕΙΔΟΠΟΙΗΣΗ! Η συσκευή και τα προσβάσιμα μέρη της ζεσταίνονται κατά τη χρήση.

⚠️ ΠΡΟΕΙΔΟΠΟΙΗΣΗ! Το μαγείρεμα χωρίς επιτήρηση με υλικά όπως λίπος και λάδι μπορεί να ενέχει κινδύνους και να προκαλέσει φωτιά. ΠΟΤΕ μην προσπαθήσετε να σβήσετε τη φωτιά με νερό. Αντίθετα, απενεργοποιήστε τη συσκευή και μετά καλύψτε τη φλόγα π.χ. με ένα καπάκι ή μια πυρίμαχη κουβέρτα.

Οδηγίες ασφαλείας

Εγκατάσταση

- Ο κατασκευαστής δεν είναι υπεύθυνος για οποιονδήποτε τραυματισμό σε άτομα ή κατοικίδια, ή για ζημιά της περιουσίας που προκλήθηκε από παραβλέψεις των ακόλουθων προϋποθέσεων.

⚠️ ΠΡΟΣΟΧΗ! Για να προβείτε στην εγκατάσταση ανατρέξτε στις Πληροφορίες ασφαλείας.

⚠️ ΠΡΟΕΙΔΟΠΟΙΗΣΗ! Η διαδικασία εγκατάστασης πρέπει να ακολουθεί τους νόμους, τις διατάξεις, τις οδηγίες και τα πρότυπα (κανόνες και κανονισμούς ηλεκτρικής ασφάλειας, κατάλληλη

ανακύκλωση σύμφωνα με τους κανονισμούς κλπ.) που ισχύουν στη χώρα χρήσης!

- Αποφύγετε την εγκατάσταση της συσκευής δίπλα σε πόρτες και κάτω από παράθυρα, καθώς όταν ανοίγουν μπορεί να ρίξουν κάτω από την εστία τα ζεστά μαγειρικά σκεύη.
- Βεβαιωθείτε ότι η συσκευή δεν έχει υποστεί ζημιά κατά τη μεταφορά. Μην συνδέετε συσκευές που έχουν υποστεί ζημιά.
- Μην εγκαθιστάτε τη συσκευή αν έχει υποστεί ζημιά κατά τη μεταφορά.

- Μην συνδέετε την εστία με καλώδια προέκτασης και μην τοποθετείτε την εστία με το καλώδιο κατά μήκος των επιφανειών εργασίας.
- Μην αλλάζετε τις προδιαγραφές ή μετατρέπετε το προϊόν. Κίνδυνος τραυματισμού και ζημιάς στη συσκευή.

⚠ ΠΡΟΕΙΔΟΠΟΙΗΣΗ! Ακολουθείτε με προσοχή τις οδηγίες για τις ηλεκτρικές συνδέσεις.

Ηλεκτρολογικές συνδέσεις

- Πριν από τη σύνδεση βεβαιωθείτε ότι η ονομαστική τάση της συσκευής που αναγράφεται στην πινακίδα τεχνικών χαρακτηριστικών αντιστοιχεί στη διαθέσιμη τάση τροφοδοσίας. Ελέγξτε, επίσης, την ονομαστική ισχύ της συσκευής και βεβαιωθείτε ότι η ηλεκτρολογική εγκατάσταση του σπιτιού σας είναι κατάλληλη για την ονομαστική ισχύ της συσκευής (ανατρέξτε στο κεφάλαιο «Τεχνικά στοιχεία»).
- Η πινακίδα τεχνικών χαρακτηριστικών της συσκευής βρίσκεται στο κάτω περίβλημα της εστίας.

⚠ ΠΡΟΕΙΔΟΠΟΙΗΣΗ! Κίνδυνος τραυματισμού από το ηλεκτρικό ρεύμα.

- Τα χαλαρά και τα ακατάλληλα βύσματα και οι συνδέσεις μπορούν να προξενήσουν υπερθέρμανση στον ακροδέκτη.

Πριν από τη χρήση:

Δείξτε προσοχή στις ακόλουθες οδηγίες πριν από τη χρήση.

- Χρησιμοποιήστε κανονική πρίζα ρεύματος και ελέγχετε τακτικά την πρίζα για να αποφύγετε τυχόν ζημιές.
- Μην ανοίγετε τη συσκευή μόνοι σας ή μην επιτρέπετε το άνοιγμα από μη ειδικευμένο άτομο. Η συσκευή πρέπει να επισκευάζεται μόνο από τον εκπρόσωπο σέρβις της ή από παρόμοια ειδικευμένο τεχνικό.
- Ελέγξτε το καλώδιο ρεύματος και το φως. Εάν το καλώδιο ρεύματος ή το φως παρουσιάζουν φθορές, μην

χρησιμοποιείτε τη συσκευή. Μην βγάζετε το φως με βρεγμένα χέρια.

- Μην χρησιμοποιείτε προέκταση καλωδίου ρεύματος και χρησιμοποιείτε μόνο την πρίζα της κεντρικής παροχής ρεύματος.
- Εάν η συσκευή δεν έχει χρησιμοποιηθεί για μεγάλο χρονικό διάστημα, ενεργοποιήστε την πρώτα για 10 λεπτά, για να σταθεροποιηθεί το ηλεκτρονικό τμήμα. Στη συνέχεια, μπορείτε να τη χρησιμοποιήσετε κανονικά.
- Μην χρησιμοποιείτε τη συσκευή κοντά σε νερό, φωτιά ή περιοχές με υγρασία. Η συσκευή προορίζεται ΜΟΝΟ για χρήση σε εσωτερικό, οικιακό περιβάλλον.
- Αφαιρέστε όλα τα υλικά συσκευασίας, τα αυτοκόλλητα και τις μεμβράνες από τη συσκευή πριν την πρώτη χρήση.
- Απενεργοποιείτε από τα στοιχεία ελέγχου τις ζώνες μαγειρέματος μετά από κάθε χρήση και μην βασίζεστε στον ανιχνευτή τηγανιού.
- Κίνδυνος εγκαυμάτων! Μην τοποθετείτε μεταλλικά αντικείμενα, όπως μαχαίρια, πιρούνια, κουτάλια και καπάκια από κατσαρόλες πάνω στη μαγειρική επιφάνεια, καθώς μπορεί να θερμανθούν.

⚠ ΠΡΟΕΙΔΟΠΟΙΗΣΗ! Κίνδυνος φωτιάς! Τα υπερθερμασμένα λίπη και έλαια μπορούν να αναφλεγούν πολύ εύκολα.

⚠ ΠΡΟΕΙΔΟΠΟΙΗΣΗ! Οι χρήστες με εμφυτευμένο βηματοδότη πρέπει να διατηρούν το άνω μέρος του σώματός τους σε απόσταση τουλάχιστον 30 εκατοστών από τις επαγωγικές μαγειρικές ζώνες που είναι ενεργές.

⚠ ΠΡΟΕΙΔΟΠΟΙΗΣΗ! Μην χρησιμοποιείτε τη συσκευή με βρεγμένα χέρια και διατηρείτε την επιφάνεια των στοιχείων ελέγχου στεγνή. Πολύ νερό στους διακόπτες των στοιχείων ελέγχου θα τους καταστήσει μη λειτουργικούς.

⚠ ΠΡΟΕΙΔΟΠΟΙΗΣΗ! Αν η επιφάνεια ραγίσει, απενεργοποιήστε τη συσκευή για να αποφύγετε το ενδεχόμενο ηλεκτροπληξίας.

Κατά τη διάρκεια της χρήσης και μετά από αυτήν:

Ακολουθήστε με προσοχή τις ακόλουθες οδηγίες για να αποφύγετε τυχόν ανάφλεξη και ατυχήματα.

- Τοποθετείτε τη συσκευή ΜΟΝΟ σε μια επίπεδη και σταθερή επιφάνεια.
- Τα παιδιά πρέπει να παρακολουθούνται για να μην παίζουν με τη συσκευή.
- Μην τοποθετείτε τα παρακάτω αντικείμενα στην επιφάνεια της συσκευής όσο βρίσκεται σε λειτουργία:
 - a) Ανοξείδωτο ατσάλι
 - b) Σίδηρος
 - c) Χυτοσίδηρο
 - d) Αλουμίνιο
 - e) Καπάκια και σμάλτο
 - f) Μαχαίρια, πιρούνια ή κουτάλια
 - g) Πιάτα από σίδηρο, ανοξείδωτο ατσάλι, χυτοσίδηρο ή αλουμίνιο
 - h) Άδεια μαγειρικά σκεύη
- Μην μεταφέρετε ή μετακινείτε τη συσκευή με μαγειρικά σκεύη στην επιφάνειά της κατά τη διάρκεια θέρμανσης.
- Διατηρείτε ένα κατάλληλο περιβάλλον γύρω από τη συσκευή για επαρκή αερισμό κατά τη θέρμανσή της.
- Μην τοποθετείτε σύρματα ή μεταλλικά αντικείμενα στην είσοδο ή στην έξοδο αέρα της συσκευής.
- Φροντίδα της επιφάνειας.
 - a) Μην ρίχνετε βαριά αντικείμενα στην επιφάνεια.
 - b) Μην ρίχνετε νερό, οξύ ή οποιοδήποτε άλλο υγρό στην επιφάνεια.
 - c) Μην καίτε τίποτα με φωτιά πάνω στην επιφάνεια.
 - d) Μην τοποθετείτε οποιοδήποτε καυτό μαγειρικό σκεύος πάνω της, ενώ δεν χρησιμοποιείται η συσκευή.
 - e) Σε περίπτωση ρωγμών στην επιφάνεια, απενεργοποιήστε αμέσως τη συσκευή για την αποφυγή του κινδύνου ηλεκτροπληξίας και επιστρέψτε τη στο πλησιέστερο κατάστημα ΙΚΕΑ.

f) Ορισμένα σκεύη μπορεί να παράγουν θόρυβο κατά τη διάρκεια χρήσης. Μετακινήστε λίγο το σκεύος και ο θόρυβος θα σταματήσει ή θα μειωθεί. Διαφορετικά, αντικαταστήστε το σκεύος.

- Μην τοποθετείτε τη συσκευή σε χαλί, ύφασμα ή χαρτί ενώ λειτουργεί.
- Μην ακουμπάτε την επιφάνεια όταν είναι ζεστή. Η επιφάνεια παραμένει ζεστή μέχρι να σβήσει ο δείκτης εναπομένουσας θερμότητας, ακόμη κι όταν η παροχή ρεύματος έχει σταματήσει.
- Μην αποσυνδέετε τη συσκευή τραβώντας το καλώδιο.
- Απενεργοποιείτε τη συσκευή και αφήνετέ την να κρυώσει, προτού την αποσυνδέσετε από το ρεύμα. Αποσυνδέστε το καλώδιο ρεύματος από την πρίζα όταν η συσκευή δεν πρόκειται να χρησιμοποιηθεί για μεγάλο χρονικό διάστημα.
- Διατηρείτε τα μαγειρικά σκεύη σε απόσταση από τη συσκευή, μετά από τη χρήση.

Πώς να αποφύγετε τις ζημιές στη συσκευή

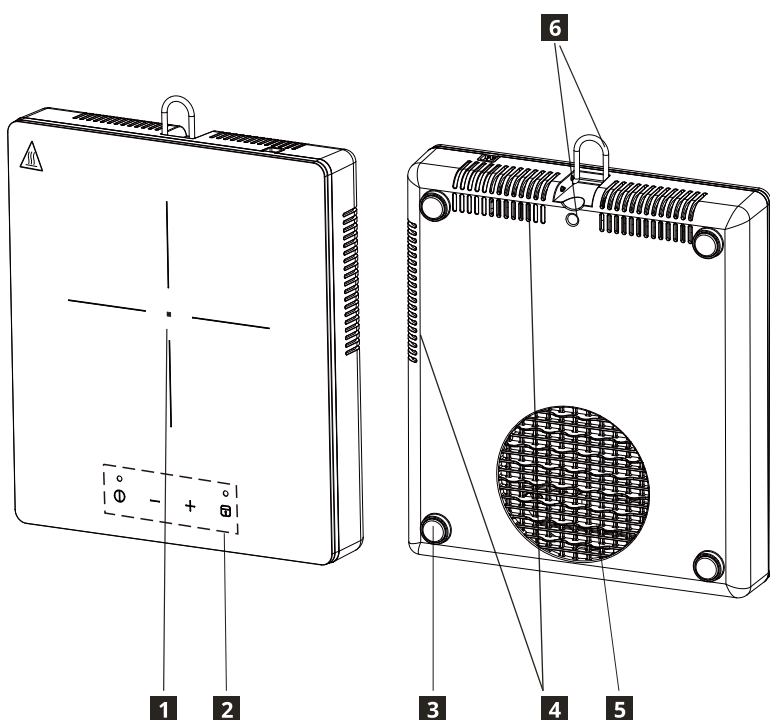
- Το κεραμικό γυαλί μπορεί να υποστεί ζημιά από αντικείμενα που πέφτουν επάνω του ή αν χτυπηθεί από τα μαγειρικά σκεύη.
- Τα μαγειρικά σκεύη από χυτοσίδηρο, χυτό αλουμίνιο ή με χαλασμένη βάση μπορούν να γρατζουνίσουν το κεραμικό γυαλί αν συρθούν πάνω στην επιφάνεια.
- Το κεραμικό γυαλί μπορεί να υποστεί ζημιά αν πέσει στο πάτωμα.
- Για να αποφύγετε ζημιές στα μαγειρικά σκεύη και στο κεραμικό γυαλί, μην αφήνετε τις κατσαρόλες και τα τηγάνια να βράζουν μέχρι να εξατμιστεί όλο το νερό.
- Μην χρησιμοποιείτε τις μαγειρικές ζώνες με άδεια μαγειρικά σκεύη ή χωρίς σκεύη.
- Ποτέ μην απλώνετε αλουμινόχαρτο πάνω σε οποιοδήποτε σημείο της συσκευής. Ποτέ μην τοποθετείτε πλαστικό ή οποιοδήποτε άλλο υλικό που λιώνει πάνω ή μέσα στη συσκευή.

⚠ ΠΡΟΕΙΔΟΠΟΙΗΣΗ! Διατηρείτε τη συσκευή συνδεδεμένη στην παροχή ρεύματος έως ότου ο εξαερισμός και η ένδειξη θερμοκρασίας σταματήσουν.

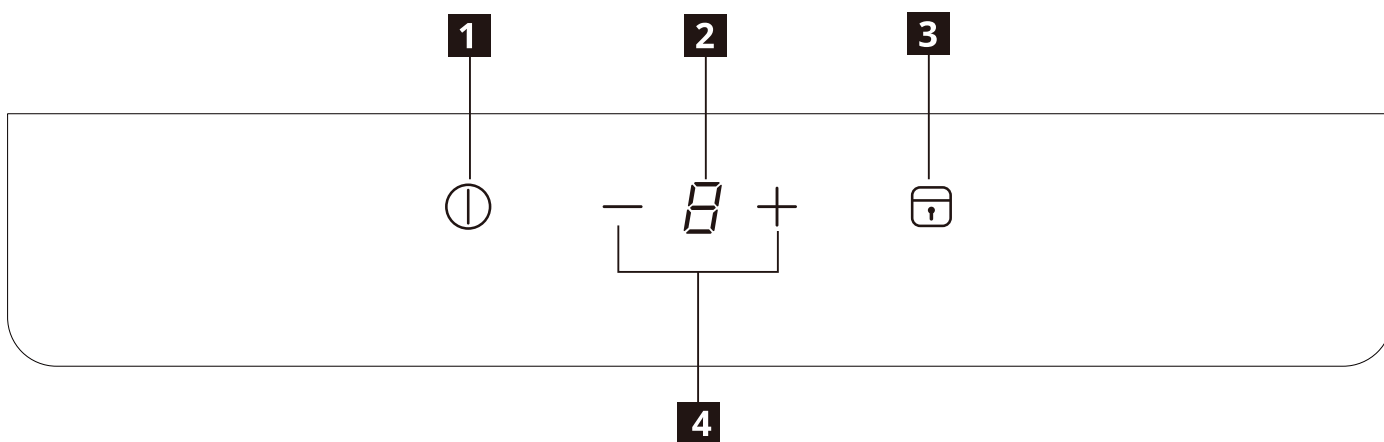
Πληροφορίες σχετικά με τα ακρυλαμίδια

Σημαντικό! Σύμφωνα με τελευταίες επιστημονικές μελέτες, το έντονο ρόδισμα των φαγητών, ιδίως αυτών που περιέχουν άμυλο, μπορεί να αποτελέσει κίνδυνο για την υγεία λόγω των ακρυλαμιδίων. Γι' αυτό συνιστούμε το μαγείρεμα στις χαμηλότερες δυνατές θερμοκρασίες και να αποφεύγετε το υπερβολικό ρόδισμα των φαγητών.

Περιγραφή προϊόντος



- 1** Περιοχή θέρμανσης
Ζώνη μαγειρέματος 170 mm,
2000 W
- 2** Πίνακας ελέγχου
- 3** Πόδια σιλικόνης
- 4** Έξοδος αέρα
- 5** Είσοδος αέρα
- 6** Γάντζος για κρέμασμα



Διάταξη πίνακα ελέγχου

- 1** Ενεργοποίηση/Απενεργοποίηση **3** Κλείδωμα/Παιδικό κλείδωμα
2 Ένδειξη επιπέδου ισχύος **4** Ρύθμιση επιπέδου ισχύος - / +

Πεδία και ενδείξεις του αισθητήρα ελέγχου αφής

Ελέγχετε την εστία ακουμπώντας τα πεδία με τους αισθητήρες αφής.

Οι ενδείξεις και τα ακουστικά σήματα (σύντομος βόμβος) επιβεβαιώνουν την επιλογή μιας λειτουργίας.

Επίπεδο ισχύος	1	2	3	4	5	6	7	8	9
Ισχύς	150 W	250 W	300 W	450 W	600 W	800 W	1100 W	1500 W	2000 W

Ενδείξεις

⚠ Το σκεύος έχει τοποθετηθεί λανθασμένα ή απουσιάζει

Αυτό το σύμβολο εμφανίζεται όταν το σκεύος δεν είναι κατάλληλο για επαγωγική εστία, δεν έχει τοποθετηθεί σωστά ή δεν έχει κατάλληλο μέγεθος για την επιλεγμένη ζώνη μαγειρέματος. Εάν δεν εντοπιστεί σκεύος εντός 30 δευτερολέπτων από την επιλογή, η ζώνη μαγειρέματος απενεργοποιείται.

⚠ Εναπομένουσα θερμότητα

Εάν εμφανίζεται η ένδειξη «H», η ζώνη μαγειρέματος είναι ακόμη καυτή. Όταν η ζώνη μαγειρέματος κρυώσει, η ένδειξη απενεργοποιείται.

⚠ ΠΡΟΕΙΔΟΠΟΙΗΣΗ! Κίνδυνος εγκαυμάτων από εναπομένουσα θερμότητα! Αφού απενεργοποιήσετε τη συσκευή, οι μαγειρικές ζώνες χρειάζονται κάποιο χρόνο μέχρι να κρυώσουν. Κοιτάξτε το δείκτη εναπομένουσας θερμότητας **H**.

Χρησιμοποιείτε την εναπομένουσα θερμότητα για να λιώνετε τρόφιμα και να διατηρείτε ζεστό το φαγητό. Μην αποσυνδέετε το προϊόν χωρίς να περιμένετε να σβήσει το **H** από την οθόνη.

Καθημερινή χρήση



Σύνδεση σε πρίζα

1. Αφού συνδέσετε το φως στην κεντρική παροχή ρεύματος, θα ενεργοποιηθεί το κλείδωμα για παιδιά. Κρατήστε πατημένο το πλήκτρο Κλείδωμα-Παίδι για 3 δεύτερα, για απενεργοποίηση.

Ενεργοποίηση/Απενεργοποίηση

1. Πατήστε το πλήκτρο Ενεργοποίηση/Απενεργοποίηση. Στην οθόνη θα εμφανιστεί η ένδειξη «0», όπως κατά τη λειτουργία αναμονής, και θα ενεργοποιηθεί η λυχνία ένδειξης λειτουργίας. Εάν δεν επιλεγθεί ρύθμιση θερμότητας εντός 30 δευτερολέπτων, η εστία θα απενεργοποιηθεί αυτόματα, χωρίς να πατηθεί το πλήκτρο Ενεργοποίηση/Απενεργοποίηση.
2. Πατήστε το πλήκτρο Ενεργοποίηση/Απενεργοποίηση κατά τη λειτουργία και η εστία θα απενεργοποιηθεί.



Ρύθμιση επιπέδου ισχύος

1. Πατήστε — ή + για να ελέγχετε το επίπεδο ισχύος κατά τη διάρκεια της λειτουργίας.
2. Πατήστε — και το επίπεδο ισχύος θα οριστεί απευθείας σε «9». Πατήστε — για να μειώσετε το επίπεδο ισχύος από «9» σε «1».
3. Πατήστε +, το επίπεδο ισχύος θα αυξηθεί από «1». Πατήστε + για να αυξήσετε το επίπεδο ισχύος από «1» σε «9».



Λειτουργία κλειδώματος

Όταν λειτουργεί η ζώνη μαγειρέματος, μπορείτε να κλειδώσετε τον πίνακα ελέγχου, για παράδειγμα, για να καθαρίσετε την εστία. Με αυτόν τον τρόπο αποφεύγετε την τυχαία αλλαγή της ρύθμισης επιπέδου ισχύος. Η εστία θα μπορεί να απενεργοποιηθεί από το πλήκτρο Ενεργοποίηση/Απενεργοποίηση.

Ενεργοποίηση κλειδώματος

1. Ρυθμίστε το επιθυμητό επίπεδο ισχύος.
2. Πατήστε το πλήκτρο Κλείδωμα για 3 δευτερόλεπτα. Η λειτουργία ενεργοποιείται όταν η ένδειξη του πλήκτρου Κλείδωμα ενεργοποιείται και εκπέμπεται ήχος.

Απενεργοποίηση κλειδώματος

1. Πατήστε το πλήκτρο Κλείδωμα για 3 δευτερόλεπτα. Η λειτουργία απενεργοποιείται όταν η ένδειξη του πλήκτρου Κλείδωμα απενεργοποιείται και εκπέμπεται ήχος.
2. Το επίπεδο ισχύος επιστρέφει στην προηγούμενη ρύθμιση.

Λειτουργία παιδικού κλειδώματος

Μπορείτε να διατηρήσετε τον πίνακα ελέγχου κλειδωμένο όταν η εστία δεν λειτουργεί. Αυτή η λειτουργία προλαμβάνει την ακούσια ενεργοποίηση της συσκευής.

Ενεργοποίηση παιδικού κλειδώματος

1. Ενεργοποιήστε τη διάταξη με το πλήκτρο Ενεργοποίηση/Απενεργοποίηση. Μην ρυθμίσετε κάποιο επίπεδο ισχύος.
2. Πατήστε το πλήκτρο Κλείδωμα για 3 δευτερόλεπτα. Η λειτουργία ενεργοποιείται όταν η ένδειξη του πλήκτρου Κλείδωμα ενεργοποιείται και εκπέμπεται ήχος.
3. Απενεργοποιήστε τη διάταξη με το πλήκτρο Ενεργοποίησης/Απενεργοποίησης.

Απενεργοποίηση παιδικού κλειδώματος

1. Πατήστε το πλήκτρο Κλείδωμα για 3 δευτερόλεπτα. Η λειτουργία απενεργοποιείται όταν η ένδειξη του πλήκτρου Κλείδωμα απενεργοποιείται και εκπέμπεται ήχος.

Αυτόματη απενεργοποίηση

Η λειτουργία απενεργοποιεί αυτόματα την εστία αν:

- απενεργοποιηθούν όλες οι μαγειρικές ζώνες.
- δεν ρυθμίσετε το επίπεδο ισχύος αφού ενεργοποιήσετε την εστία, εντός 30 δευτερολέπτων.
- δεν απενεργοποιήσετε μια ζώνη μαγειρέματος ή δεν τροποποιήσετε το επίπεδο ισχύος μετά από 2 ώρες ή σε περίπτωση υπερθέρμανσης (π.χ. όταν ένα σκεύος βράσει και εξαντλήσει τα υγρά του).

Πίνακας μαγειρέματος

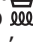
Ρύθμιση θερμότητας	Χρήση για:	Χρόνος (λεπτά)	Υποδείξεις
1	• Διατηρήστε ζεστό το μαγειρεμένο φαγητό.	ανάλογα με τις ανάγκες	Τοποθετήστε καπάκι στο μαγειρικό σκεύος.
1-2	• Σάλτσα ολαντέζ, λιώστε: βούτυρο, σοκολάτα, ζελατίνη.	5-25	Ανακατέψτε ανά διαστήματα.
2-3	• Σιγοβράστε πιάτα με βάση το ρύζι και το γάλα, ζεστάνετε έτοιμα μαγειρεμένα γεύματα.	25-50	Προσθέστε τουλάχιστον διπλάσια ποσότητα υγρού από το ρύζι, ανακατέψτε τα πιάτα με γάλα στα μισά της διαδικασίας.
4-5	• Μαγειρέψτε λαχανικά, ψάρια, κρέας και πατάτες στον ατμό.	20-45	Προσθέστε μικρή ποσότητα νερού.
	• Μαγειρέψτε μεγαλύτερες ποσότητες φαγητού, κοκκινιστό.	60-150	Προσθέστε μικρή ποσότητα νερού.
5-6	• Ελαφρύ τηγάνισμα: μοσχαρίσιο cordon bleu, κοτολέτες, κροκέτες, λουκάνικα, ρου, αυγά.	ανάλογα με τις ανάγκες	Γυρίστε στα μισά της διαδικασίας.
7-8	• Χας μπράουν, μπριζόλες.	5-15	Γυρίστε στα μισά της διαδικασίας.
9	• Βράστε νερό, μαγειρέψτε ζυμαρικά, τσιγαρίστε κρέας (γκούλας, ψητό κατσαρόλας), τηγανίστε πατάτες.		

Οδηγίες για μαγειρικά σκεύη

Ποια σκεύη πρέπει να χρησιμοποιείτε

Χρησιμοποιείτε κατσαρόλες και τηγάνια με βάση κατασκευασμένη από σιδηρομαγνητικά υλικά, κατάλληλα για χρήση στις επαγωγικές εστίες:

- Χυτοσίδηρο
- Επισμαλτωμένο χάλυβα
- Ανθρακούχο χάλυβα
- Ανοξείδωτο ατσάλι (όχι κάθε τύπου)
- Αλουμίνιο με σιδηρομαγνητική επικάλυψη ή σιδηρομαγνητική επίστρωση

Για να βεβαιωθείτε ότι μια κατσαρόλα ή ένα τηγάνι είναι κατάλληλο, ελέγξτε εάν φέρει το σύμβολο  (συνήθως είναι σφραγισμένο στη βάση του σκεύους). Μπορείτε, επίσης, να κρατήσετε έναν μαγνήτη επάνω στη βάση. Εάν κολλήσει στην κάτω πλευρά, το μαγειρικό σκεύος είναι κατάλληλο για επαγωγική εστία.

Για να εξασφαλίσετε μέγιστη αποδοτικότητα, χρησιμοποιείτε πάντα κατσαρόλες και τηγάνια με επίπεδη βάση που κατανέμουν ομοιόμορφα τη θερμότητα. Εάν η βάση δεν είναι ομοιόμορφη, αυτό θα επηρεάσει την παροχή ισχύος και θερμότητας.

Τρόπος χρήσης

Ελάχιστη διάμετρος βάσης κατσαρόλας/τηγανιού για διαφορετικές περιοχές μαγειρέματος

Για τη σωστή λειτουργία των εστιών, η κατσαρόλα πρέπει να καλύπτει ένα ή περισσότερα από τα σημεία αναφοράς που παρέχονται στην επιφάνεια της εστίας και να έχει κατάλληλη ελάχιστη διάμετρο.

Χρησιμοποιείτε πάντα τη ζώνη μαγειρέματος που αντιστοιχεί καλύτερα στη διάμετρο της βάσης του σκεύους.

Μαγειρική ζώνη	Προτεινόμενη διάμετρος μαγειρικών σκευών [mm]
Μεσαία πίσω μαγειρική ζώνη	120-180

Κενές ή λεπτές κατασρόλες/τηγάνια

Μην χρησιμοποιείτε κενές ή λεπτές κατασρόλες/τηγάνια στην εστία, καθώς δεν θα είναι δυνατός ο έλεγχος της θερμοκρασίας ή η αυτόματη απενεργοποίηση, σε περίπτωση πολύ υψηλής θερμοκρασίας, φθοράς της κατασρόλας ή της επιφάνειας της εστίας. Εάν συμβεί αυτό, μην αγγίζετε τίποτα και περιμένετε να κρυώσουν όλα τα εξαρτήματα.

Σε περίπτωση εμφάνισης μηνύματος σφάλματος, ανατρέξτε στην ενότητα «Αντιμετώπιση προβλημάτων».

Συμβουλές/υποδείξεις

Θόρυβος στη διάρκεια του μαγειρέματος

Όταν μια ζώνη μαγειρέματος είναι ενεργή, ενδέχεται να εκπέμπει έναν σύντομο βόμβο. Αυτό είναι χαρακτηριστικό όλων των κεραμικών γυάλινων ζωνών μαγειρέματος και δεν επηρεάζει τη λειτουργία ή τη διάρκεια ζωής της συσκευής. Ο θόρυβος εξαρτάται από το μαγειρικό σκεύος που χρησιμοποιείται. Εάν προκαλεί σημαντική ενόχληση, ίσως βοηθήσει η αλλαγή του μαγειρικού σκεύους.

Φυσιολογικοί θόρυβοι λειτουργίας της επαγωγικής εστίας

Η τεχνολογία επαγωγής βασίζεται στη δημιουργία ηλεκτρομαγνητικών πεδίων για την παραγωγή θερμότητας απευθείας στον πυθμένα των μαγειρικών σκευών. Τα σκεύη ενδέχεται να παράγουν διάφορους θορύβους ή δονήσεις ανάλογα με τον τρόπο κατασκευής τους.

Αυτοί οι θόρυβοι περιγράφονται ως εξής:

Χαμηλό βουητό (σαν μετασχηματιστής)

Αυτός ο θόρυβος παράγεται κατά το μαγείρεμα σε υψηλό επίπεδο θερμότητας. Βασίζεται στην ποσότητα ενέργειας που μεταφέρεται από την εστία στα μαγειρικά σκεύη.

Ο θόρυβος σταματά ή μειώνεται κατά την ελάττωση του επιπέδου θερμότητας.

Απαλός συριγμός

Αυτός ο θόρυβος παράγεται όταν το σκεύος μαγειρέματος είναι άδειο. Σταματά μόλις τοποθετηθούν στο σκεύος υγρά ή τρόφιμα.

Τριγμός

Αυτός ο θόρυβος προκύπτει με σκεύη μαγειρέματος που είναι κατασκευασμένα από διάφορα υλικά που τοποθετούνται το ένα πάνω στο άλλο.

Προκαλείται από τις δονήσεις των επιφανειών στις οποίες συναντώνται διαφορετικά υλικά. Ο θόρυβος εμφανίζεται στα μαγειρικά σκεύη και μπορεί να ποικίλλει ανάλογα με την ποσότητα του φαγητού ή του υγρού και τη μέθοδο μαγειρέματος (π.χ. βράσιμο, σιγοβράσιμο, τηγάνισμα).

Δυνατός συριγμός

Αυτός ο θόρυβος προκύπτει με μαγειρικά σκεύη κατασκευασμένα από διαφορετικά υλικά τοποθετημένα το ένα πάνω στο άλλο, καθώς επίσης και όταν χρησιμοποιούνται στη μέγιστη ισχύ και σε δύο ζώνες μαγειρέματος. Ο θόρυβος σταματά ή μειώνεται κατά την ελάττωση του επιπέδου θερμότητας.

Αυτοί οι ήχοι αποτελούν φυσιολογικούς θορύβους του ανεμιστήρα

Για τη σωστή λειτουργία του ηλεκτρονικού συστήματος, είναι απαραίτητη η ρύθμιση της θερμοκρασίας της εστίας. Για τον σκοπό αυτό, η εστία διαθέτει ανεμιστήρα ψύξης, ο οποίος ενεργοποιείται για να μειώσει και να ρυθμίσει τη θερμοκρασία του ηλεκτρονικού συστήματος. Ο ανεμιστήρας μπορεί επίσης να συνεχίσει να λειτουργεί μετά την απενεργοποίηση της συσκευής, εάν η ανιχνευόμενη θερμοκρασία της εστίας εξακολουθεί να είναι υπερβολικά υψηλή μετά την απενεργοποίησή της.

Ρυθμικοί ήχοι, παρόμοιοι με τον ήχο ενός ρολογιού

Αυτός ο θόρυβος προκύπτει μόνο κατά τη λειτουργία τουλάχιστον τριών ζωνών μαγειρέματος και εξαφανίζεται ή εξασθενεί όταν κάποιες από αυτές απενεργοποιούνται.

Οι θόρυβοι που περιγράφονται αποτελούν φυσιολογικό στοιχείο της επαγωγικής τεχνολογίας και δεν πρέπει να θεωρούνται ελαττώματα.

Φροντίδα και καθαρισμός

⚠ ΠΡΟΕΙΔΟΠΟΙΗΣΗ! Απενεργοποιήστε τη συσκευή και αφήστε την να κρυώσει πριν την αποσυνδέσετε.

⚠ ΠΡΟΕΙΔΟΠΟΙΗΣΗ! Απενεργοποιήστε τη συσκευή και αφήστε την να κρυώσει πριν την καθαρίσετε.

⚠ ΠΡΟΕΙΔΟΠΟΙΗΣΗ! Για λόγους ασφαλείας, μην καθαρίζετε τη συσκευή με εκτοξευτήρες ατμού ή καθαριστικά υψηλής πίεσης.



⚠ ΠΡΟΕΙΔΟΠΟΙΗΣΗ! Τα αιχμηρά αντικείμενα και τα σκληρά καθαριστικά προκαλούν ζημιά στη συσκευή. Καθαρίζετε τη συσκευή και αφαιρείτε τα υπολείμματα με νερό και υγρό καθαριστικό μετά από κάθε χρήση. Αφαιρείτε, επίσης, τα υπολείμματα των καθαριστικών!

ⓘ Οι γρατζουνιές και οι σκούροι λεκέδες στο κεραμικό γυαλί που δεν μπορούν να αφαιρεθούν δεν επηρεάζουν τη λειτουργία της συσκευής.

Αφαίρεση των υπολειμμάτων και των επίμονων υπολειμμάτων:

- Τα φαγητά που περιέχουν ζάχαρη, τα πλαστικά και τα υπολείμματα αλουμινόχαρτου πρέπει να απομακρύνονται αμέσως. Το καταλληλότερο εργαλείο για τον καθαρισμό της επιφάνειας του γυαλιού είναι η ξύστρα (δεν συμπεριλαμβάνεται με τη συσκευή). Τοποθετήστε μια ξύστρα υπό γωνία στην επιφάνεια του κεραμικού γυαλιού και απομακρύνετε τα υπολείμματα ξύνοντας ελαφρά την επιφάνεια. Σκουπίστε τη συσκευή με ένα υγρό πανί και λίγο υγρό καθαρισμού. Στο τέλος τρίψτε τη συσκευή με ένα καθαρό πανί.
- Στίγματα από άλατα και νερό, πιτσιλιές από λίπος και γυαλιστερές μεταλλικές δυσχρωμίες πρέπει να αφαιρούνται μόλις κρυώσει η συσκευή, χρησιμοποιώντας καθαριστικό για κεραμικό γυαλί ή ανοξείδωτο ατσάλι.

Αντιμετώπιση προβλημάτων

Πρόβλημα	Πιθανή αιτία	Λύση
Η συσκευή δεν λειτουργεί.	Έλλειψη ισχύος ή βραχυκύκλωμα στην τροφοδοσία ρεύματος του σπιτιού σας.	
	Η σύνδεση στην πρίζα δεν είναι ορθή.	Ελέγξτε την ορθή σύνδεση της τροφοδοσίας με την εστία.
	Έχουν περάσει περισσότερα από 10 δευτέρα από τη στιγμή ενεργοποίησης της συσκευής.	Ενεργοποιήστε πάλι τη συσκευή.
	Το Παιδικό κλείδωμα είναι ενεργοποιημένο.	Απενεργοποιήστε το Παιδικό κλείδωμα. (Ανατρέξτε στην ενότητα «Διάταξη προστασίας παιδιών»).
	Αγγίξατε πολλά σημεία του αισθητήρα ελέγχου ταυτόχρονα.	Αγγίξτε μόνο ένα σημείο του αισθητήρα ελέγχου.
Η συσκευή σταματάει να λειτουργεί. Ένδειξη σφάλματος:  + 	Το μαγειρικό σκεύος δεν είναι κατάλληλο για επαγωγική εστία.	Αντικαταστήστε με ένα κατάλληλο σκεύος για επαγωγική εστία.
	Δεν υπάρχει μαγειρικό σκεύος στη ζώνη μαγειρέματος ή η διάμετρός του είναι μικρότερη από 120 mm.	Τοποθετήστε ένα σκεύος στη μαγειρική ζώνη.

Η συσκευή σταματάει να λειτουργεί. Ένδειξη σφάλματος: E + 2	Το μαγειρικό σκεύος είναι άδειο (το περιεχόμενο εξατμίστηκε από το βράσιμο) ή η θερμοκρασία μαγειρέματος είναι πολύ ψηλή.	Απενεργοποιήστε τη συσκευή και επανεκκινήστε την μετά από 5 λεπτά. Εάν το E2 επιμένει, επικοινωνήστε με το πλησιέστερο κατάστημα ΙΚΕΑ.
	Η είσοδος και η έξοδος αέρα εμποδίζονται.	
	Η περιβάλλουσα θερμοκρασία είναι πολύ υψηλή.	
Η συσκευή σταματάει να λειτουργεί. Ένδειξη σφάλματος: E + 3	Η κεντρική παροχή ρεύματος είναι άνω των AC 275 V.	Αντικαταστήστε με μια κατάλληλη παροχή ρεύματος.
Η συσκευή σταματάει να λειτουργεί. Ένδειξη σφάλματος: E + 4	Η κεντρική παροχή ρεύματος είναι χαμηλότερη των AC 100 V.	Αντικαταστήστε με μια κατάλληλη παροχή ρεύματος.
Η συσκευή σταματάει να λειτουργεί. Ένδειξη σφάλματος: E + 5	Ο αισθητήρας θερμοκρασίας της συσκευής δεν λειτουργεί.	Επικοινωνήστε με το πλησιέστερο κατάστημα ΙΚΕΑ.
Η συσκευή σταματάει να λειτουργεί. Ένδειξη σφάλματος: E + 6		
Η συσκευή σταματάει να λειτουργεί. Ένδειξη σφάλματος: E + 0	Εσωτερική εξαίρεση	Απενεργοποιήστε τη συσκευή και επανεκκινήστε την μετά από 5 λεπτά. Εάν ο κωδικός Ε0 παραμένει, επικοινωνήστε με το πλησιέστερο κατάστημα ΙΚΕΑ.

Ο κωδικός σφάλματος εμφανίζεται όταν ενεργοποιείται και εντοπίζεται σφάλμα. Το E και οι αριθμοί εμφανίζονται περιοδικά (ανά 1 δευτερόλεπτο) και διαδοχικά.

Εάν παρουσιάζεται σφάλμα, προσπαθήστε να το επιλύσετε ακολουθώντας τις οδηγίες αντιμετώπισης προβλημάτων. Εάν το σφάλμα δεν μπορεί να επιλυθεί, επικοινωνήστε με το πλησιέστερο κατάστημα ΙΚΕΑ.

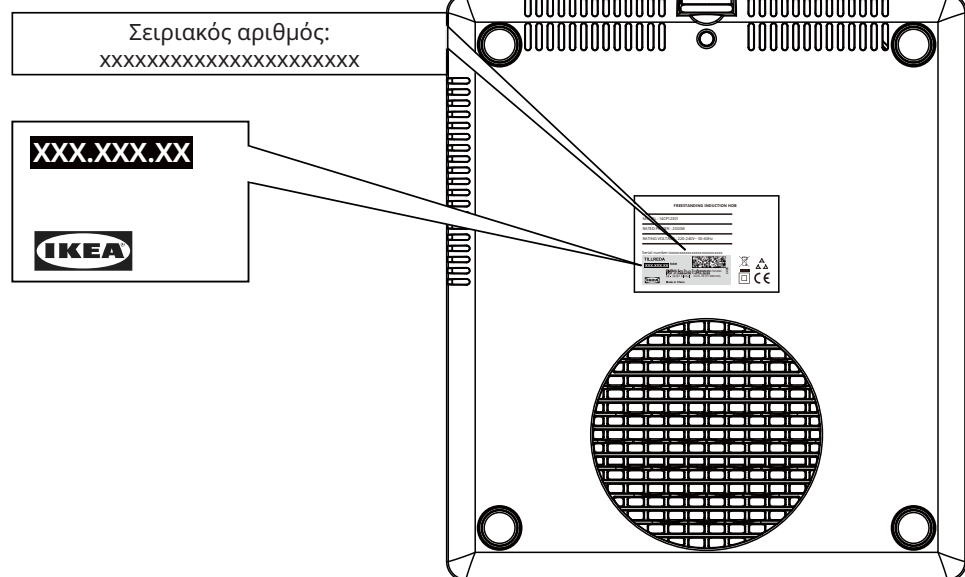
! Αν χρησιμοποιήσατε τη συσκευή με εσφαλμένο τρόπο, ο αντιπρόσωπος μπορεί να μην δεχτεί τη δωρεάν επισκευή, ακόμη κι αν η συσκευή βρίσκεται σε περίοδο εγγύησης.

Τεχνικά στοιχεία

Μοντέλο	14CP12301
Τύπος εστίας	Ελεύθερη επαγωγική εστία μαγειρέματος
Αριθμός ζωνών ή/και περιοχών μαγειρέματος	1
Ονομαστική ισχύς	2000 W
Ονομαστική τάση	220-240 V~
Ονομαστική συχνότητα	50-60 Hz
Βάθος	305 mm
Πλάτος	270 mm
Ύψος	62 mm
Καθαρό βάρος	2,33 kg

Αριθμός σειράς (ξεκινά με SN, κωδικός 22 ψηφίων)

Αριθμός είδους IKEA (8-ψήφιος κωδικός)




Η εικόνα προορίζεται αποκλειστικά για σκοπούς αναφοράς

Ενεργειακή απόδοση

Αναγνώριση μοντέλου	14CP12301
Τύπος εστίας	Φορητή συσκευή
Αριθμός ζωνών μαγειρέματος	1
Τεχνολογία θέρμανσης	Επαγωγή
Διάμετρος κυκλικών ζωνών μαγειρέματος (Ø)	170 mm
Κατανάλωση ενέργειας ανά ζώνη μαγειρέματος (ηλεκτρικό μαγείρεμα EK)	184 Wh/kg
Κατανάλωση ενέργειας εστίας (ηλεκτρική εστία EC)	184 Wh/kg
Πληροφορίες προϊόντος για την κατανάλωση ισχύος και τον χρόνο για την επίτευξη της ισχύουσας λειτουργίας χαμηλής ισχύος	κατάσταση απενεργοποίησης: 0,5 W
Ο μέγιστος χρόνος που απαιτείται για την επίτευξη της ισχύουσας λειτουργίας χαμηλής ισχύος	5 δευτερόλεπτα
Οδηγία 2009/125/ΕΚ, ΚΑΝΟΝΙΣΜΟΣ(ΕΕ) αριθ. 66/2014 ΤΗΣ ΕΠΙΤΡΟΠΗΣ, EN 60350-2:2018+A1:2021.	

Περιβαλλοντικά θέματα


Απόρριψη οικιακών συσκευών

Το σύμβολο  στο προϊόν ή στη συσκευασία του υποδεικνύει ότι αυτό το προϊόν δεν πρέπει να αντιμετωπίζεται ως οικιακό απόρριμμα. Αντιθέτως, θα πρέπει να μεταφέρεται σε κατάλληλο σημείο περισυλλογής για την ανακύκλωση ηλεκτρικού και ηλεκτρονικού εξοπλισμού. Διασφαλίζοντας την ορθή απόρριψη του προϊόντος, συμβάλλετε στην εξάλειψη των αρνητικών επιπτώσεων για το περιβάλλον και την ανθρώπινη υγεία που θα μπορούσε να προκαλέσει η μη ορθή απόρριψη αυτού του προϊόντος. Για λεπτομερέστερες οδηγίες σχετικά με την ανακύκλωση αυτού του προϊόντος, επικοινωνήστε με το δήμο σας, την υπηρεσία διάθεσης οικιακών απορριμμάτων ή το κατάστημα αγοράς αυτού του προϊόντος.

⚠ ΠΡΟΕΙΔΟΠΟΙΗΣΗ! Πραγματοποιήστε αυτά τα βήματα για την απόρριψη της συσκευής:

- Βγάλτε το καλώδιο ρεύματος από την κεντρική παροχή ρεύματος.
- Κόψτε το καλώδιο ρεύματος και απορρίψτε το.

Απόρριψη υλικών συσκευασίας

Τα υλικά με το σύμβολο  είναι ανακυκλώσιμα. Απορρίψτε τη συσκευασία σε έναν κατάλληλο κάδο απορριμμάτων για την ανακύκλωσή της.

Εξοικονόμηση ενέργειας

- Αν είναι δυνατόν, βάζετε πάντα καπάκια στα τηγάνια.
- Τοποθετήστε το σκεύος στη μαγειρική ζώνη πριν ενεργοποιήσετε τη συσκευή.
- Η βάση του σκεύους πρέπει να είναι όσο το δυνατόν παχύτερη και επίπεδη.

Εγγύηση IKEA

Για πόσο διάστημα ισχύει η Εγγύηση IKEA;

Αυτή η εγγύηση ισχύει για 2 χρόνια από την αρχική ημερομηνία αγοράς της συσκευής σας από την IKEA, εκτός εάν ορίζεται κάτι διαφορετικό από την εθνική νομοθεσία. Επισκεφθείτε τη διεύθυνση IKEA.com για να ενημερωθείτε για όσα ισχύουν στη χώρα σας. Απαιτείται η πρωτότυπη απόδειξη αγοράς ως αποδεικτικό στοιχείο. Σε περίπτωση διεξαγωγής εργασιών επισκευής στα πλαίσια της εγγύησης, αυτό δεν θα επεκτείνει τη διάρκεια της εγγύησης για τη συσκευή.

Ποιος εκτελεί τις εργασίες επισκευής;

Επικοινωνήστε με το πλησιέστερο κατάστημα IKEA.

Τι καλύπτει αυτή η εγγύηση;

Η εγγύηση καλύπτει βλάβες της συσκευής που προκλήθηκαν από εσφαλμένη κατασκευή ή από αστοχίες υλικού από την ημερομηνία αγοράς από την IKEA.

Η εγγύηση αυτή ισχύει μόνο για οικιακή χρήση. Οι εξαιρέσεις ορίζονται στην ενότητα «Τι δεν καλύπτει αυτή η εγγύηση;» Κατά τη διάρκεια ισχύος της εγγύησης καλύπτεται το κόστος αποκατάστασης της βλάβης, π.χ. επισκευές, εξαρτήματα, εργατικά και μετακινήσεις, εφόσον δεν απαιτούνται ειδικές δαπάνες για την επισκευή της συσκευής. Τα εξαρτήματα που αντικαθιστώνται περιέρχονται στην κατοχή της IKEA.

Τι θα κάνει η IKEA για να διορθώσει το πρόβλημα;

Η IKEA θα εξετάσει το προϊόν και θα αποφασίσει, κατά την αποκλειστική διακριτική της ευχέρεια, αν καλύπτεται από την παρούσα εγγύηση. Αν θεωρήσει ότι καλύπτεται, η IKEA, κατά τη διακριτική της ευχέρεια, είτε θα επισκευάσει το ελαττωματικό προϊόν είτε θα το αντικαταστήσει με ίδιο ή με παρόμοιο προϊόν.

Τι δεν καλύπτει αυτή η εγγύηση;

- Φυσιολογική φθορά.
- Βλάβη από πρόθεση ή αμέλεια, βλάβη που οφείλεται σε μη τήρηση των οδηγιών λειτουργίας, εσφαλμένη εγκατάσταση ή σύνδεση σε ακατάλληλη τάση, βλάβη που οφείλεται σε χημική ή ηλεκτροχημική αντίδραση, σκουριά, διάβρωση ή βλάβη λόγω του νερού, συμπεριλαμβανομένης, ενδεικτικά, βλάβης λόγω υπερβολικής συσσώρευσης αλάτων στην παροχή νερού, καθώς και βλάβη που οφείλεται σε μη φυσιολογικές περιβαλλοντικές συνθήκες.
- Αναλώσιμα εξαρτήματα, συμπεριλαμβανομένων μπαταριών και λαμπτήρων.

- Τα μη λειτουργικά ή τα διακοσμητικά εξαρτήματα που δεν επηρεάζουν την κανονική χρήση της συσκευής, συμπεριλαμβανομένων των γρατζουνιών και των πιθανών δυσχρωμιών.
- Τυχαία βλάβη που προκαλείται από ξένα σωματίδια ή ουσίες, καθώς και βλάβη που οφείλεται στον καθαρισμό ή την απόφραξη φίλτρων, συστημάτων αποστράγγισης ή θηκών απορρυπαντικού.
- Ζημιές στα παρακάτω εξαρτήματα: υαλοκεραμικές επιφάνειες, πρόσθετα εξαρτήματα, σκεύη και καλάθια μαχαιροπίρουνων, σωλήνες παροχής και αποστράγγισης, λάστιχα στεγανοποίησης, λαμπτήρες και καλύμματα λαμπτήρων, οθόνες, διακόπτες, περιβλήματα και τμήματα περιβλημάτων. Εκτός εάν αυτές οι ζημιές αποδεχτεί πως έχουν προκληθεί από ελαττωματική λειτουργία του προϊόντος.
- Οι επισκευές που δεν πραγματοποιήθηκαν από εξουσιοδοτημένους και/ή από αντισυμβαλλόμενους τεχνικούς παροχής υπηρεσιών σέρβις, ή όταν έχουν χρησιμοποιηθεί μη γνήσια ανταλλακτικά.
- Επισκευές λόγω εσφαλμένης εγκατάστασης ή εγκατάστασης που δεν πληρεί τις προδιαγραφές.
- Η χρήση της συσκευής σε μη οικιακό περιβάλλον, π.χ. επαγγελματική χρήση.
- Ζημιές κατά τη μεταφορά. Αν ο πελάτης μεταφέρει το προϊόν στο σπίτι του ή σε άλλη διεύθυνση, η IKEA δεν είναι υπεύθυνη για οποιαδήποτε ζημιά προκληθεί κατά τη μεταφορά. Ωστόσο, αν η IKEA μεταφέρει το προϊόν στη διεύθυνση παράδοσης του πελάτη, η βλάβη που μπορεί να προκληθεί κατά τη μεταφορά θα καλυφθεί από την IKEA.
- Το κόστος για την αρχική εγκατάσταση της συσκευής IKEA. Ωστόσο, εάν ο πάροχος τεχνικής εξυπηρέτησης της IKEA ή ο εξουσιοδοτημένος συνεργάτης υπηρεσιών επισκευής επισκευάσει ή αντικαταστήσει τη συσκευή βάσει των όρων της παρούσας εγγύησης, ο πάροχος τεχνικής εξυπηρέτησης ή ο εξουσιοδοτημένος συνεργάτης υπηρεσιών επισκευής θα εγκαταστήσει ξανά την επισκευασμένη συσκευή ή θα εγκαταστήσει τη συσκευή αντικατάστασης, εάν απαιτείται.

Πώς εφαρμόζεται η εθνική νομοθεσία

Η εγγύηση IKEA σας παρέχει συγκεκριμένα νομικά δικαιώματα, τα οποία καλύπτουν ή υπερβαίνουν όλες τις τοπικές νομικές απαιτήσεις. Ωστόσο αυτές οι προϋποθέσεις δεν περιορίζουν με κανένα τρόπο τα δικαιώματα του καταναλωτή που περιγράφηκαν στην τοπική νομοθεσία.

Περιοχή ισχύος

Για συσκευές που αγοράστηκαν σε μια χώρα της ΕΕ. και μεταφέρθηκαν σε άλλη χώρα της ΕΕ., οι υπηρεσίες θα προσφερθούν εντός του πλαισίου των όρων εγγύησης που ισχύουν στη νέα χώρα. Η εκτέλεση των υπηρεσιών επισκευής στο πλαίσιο της εγγύησης είναι υποχρεωτική, μόνο εάν η συσκευή συμμορφώνεται και έχει εγκατασταθεί σύμφωνα με:

- τις τεχνικές προδιαγραφές της χώρας στην οποία υποβάλλεται το αίτημα για εργασίες εγγύησης,
- τις Οδηγίες συναρμολόγησης και τις Πληροφορίες ασφάλειας του εγχειριδίου χρήσης.

ΥΠΟΣΤΗΡΙΞΗ για συσκευές ΙΚΕΑ

Μην διστάζετε να απευθύνεστε στην ΙΚΕΑ για να:

- υποβάλετε αίτημα εργασιών στο πλαίσιο της εγγύησης,
- να ζητήσετε διευκρινίσεις σχετικά με τις λειτουργίες των συσκευών ΙΚΕΑ.

Για να διασφαλιστεί η παροχή βέλτιστης υποστήριξης, διαβάστε προσεκτικά τις Οδηγίες συναρμολόγησης ή/και το Εγχειρίδιο χρήσης πριν επικοινωνήσετε μαζί μας.

Πώς να επικοινωνήσετε μαζί μας αν χρειαστείτε τις υπηρεσίες μας



Το κέντρο υποστήριξης πελατών ΙΚΕΑ θα σας εξυπηρετήσει τηλεφωνικά με βασικές οδηγίες αποκατάστασης του προβλήματος της συσκευής σας κατά την υποβολή του τηλεφωνικού αιτήματός σας. Ανατρέξτε στον κατάλογο ΙΚΕΑ ή επισκεφτείτε την ηλεκτρονική διεύθυνση www.ikea.com για τον τοπικό τηλεφωνικό αριθμό και το ωράριο λειτουργίας.

Για να σας παρέχουμε ταχύτερη εξυπηρέτηση, κοινοποιήστε μας τον αριθμό προϊόντος ΙΚΕΑ (8ψήφιος κωδικός) που βρίσκεται στην πινακίδα τεχνικών χαρακτηριστικών της συσκευής σας.

ΦΥΛΑΞΤΕ ΤΗΝ ΑΠΟΔΕΙΞΗ ΑΓΟΡΑΣ!

Αποτελεί αποδεικτικό αγοράς και είναι απαραίτητη ώστε να ισχύει η εγγύηση. Η απόδειξη αγοράς αναγράφει, επίσης, την ονομασία ΙΚΕΑ και τον αριθμό προϊόντος (8ψήφιος κωδικός) για κάθε μία από τις συσκευές που αγοράσατε.

Χρειάζεστε περισσότερη βοήθεια;

Για οποιαδήποτε περαιτέρω απορία που δεν σχετίζεται με την Υποστήριξη των συσκευών σας, επικοινωνήστε με το τηλεφωνικό κέντρο του πλησιέστερου καταστήματος ΙΚΕΑ. Συνιστάται να διαβάσετε προσεκτικά το εγχειρίδιο της συσκευής πριν επικοινωνήσετε μαζί μας.

Зміст

Правила техніки безпеки	309	Догляд і чищення	317
Інструкції з техніки безпеки	310	Пошук та усунення несправностей	317
Опис виробу	313	Технічні дані	318
Індикатори	314	Енергоефективність	319
Щоденне використання	314	Захист навколишнього середовища	319
Таблиця режимів готування	315	Гарантія IKEA	320
Інструкції щодо посуду	316		

Правила техніки безпеки

- Ⓞ Задля вашої безпеки та правильної експлуатації приладу уважно прочитайте це керівництво перед встановленням і використанням. Завжди тримайте ці інструкції разом із приладом, навіть якщо ви перевозите або продаєте його. Користувачі повинні мати повну інформацію про експлуатацію та особливості безпечного використання приладу.

Належна експлуатація

- Не залишайте прилад без нагляду під час роботи.
- Прилад призначений виключно для використання у побутових цілях.
- Прилад призначений виключно для використання у приміщенні.
- Прилад не можна використовувати у якості робочої поверхні або поверхні для зберігання інших предметів.
- Не кладіть і не зберігайте на приладі або поблизу нього займисті рідини, легкозаймисті матеріали або легкозаймисті предмети (як-от пластикова плівка, пластик, алюміній).
- Будьте обережні, коли підключаєте електроприлади в розетки поряд із цим приладом. Будьте обережні, щоб з'єднувальні кабелі не торкались та не опинялись під приладом чи гарячим посудом.
- Не ремонтуйте власноруч, щоб не допустити травм чи пошкодження приладу. Звертайтеся до найближчого магазину IKEA.

Безпека дітей та беззахисних людей

- Цим приладом можуть користуватися діти віком від 8 років, а також особи з обмеженими фізичними, сенсорними чи розумовими здібностями, або з відсутністю досвіду та знань, але лише під наглядом або після проведення з ними інструктажу щодо безпечного використання цього приладу та усвідомлення ними небезпеки, що випливає з використання цього приладу.
- Зберігайте всі пакувальні матеріали у недоступному для дітей місці. Існує небезпека задушення.
- Не дозволяйте дітям наближатися до приладу під час його роботи, та коли він не використовується.
- Діти молодші 8 років не повинні знаходитись поруч із приладом без постійного нагляду дорослих.
- Дітям забороняється гратися з приладом. Дітям заборонено чистити та здійснювати інші заходи з обслуговування пристрою без нагляду дорослих.

⚠ ПОПЕРЕДЖЕННЯ! Увімкніть захист від дітей, щоб малі діти та домашні тварини не могли випадково увімкнути прилад.

Загальна безпека

- Вентиляційні отвори у корпусі приладу або у шафі, де встановлено прилад, мають бути відкритими.
- Не торкайтесь панелі, якщо все ще світиться індикатор залишкового тепла, щоб не отримати травму.

- Під час використання не вставляйте в індукційну конфорку жодних предметів, щоб уникнути ураження електричним струмом.
- Не намотуйте шнур на шию, щоб не допустити задушення.
- Не використовуйте для чищення приладу пароочисник.
- Не кладіть металеві предмети, наприклад, ножі, вилки, ложки та кришки, на варильну поверхню, тому що вони можуть сильно нагріватись.
- Після використання не покладайтесь на детектор посуду і вимкніть варильну поверхню власноруч.
- Цим приладом не можна керувати за допомогою зовнішнього таймера або окремої системи дистанційного керування.
- Будьте обережні та не торкайтесь нагрівальних елементів.
- Якщо шнур живлення пошкоджений, для запобігання виникнення небезпечних ситуацій заміна має виконуватися виробником, його авторизованим агентом з технічного обслуговування або особами з відповідною кваліфікацією. Зверніться до найближчого магазину ІКЕА.
- Цей прилад призначений для використання в домашніх і подібних до них умовах, як-от:
 - на кухнях для персоналу в магазинах, офісах та інших робочих середовищах;
 - в сільських домогосподарствах;
 - клієнтами в готелях, мотелях та подібних помешканнях;
 - в міні-пансіонатах.

⚠ УВАГА: гаряча поверхня. Поверхні можуть нагріватися під час використання.

⚠ ПОПЕРЕДЖЕННЯ! Якщо поверхня пристрою тріснула, негайно вимкніть його, щоб запобігти ураженню електричним струмом. Зверніться до найближчого магазину ІКЕА.

⚠ ПОПЕРЕДЖЕННЯ! Прилад та усі доступні його частини нагріваються під час використання.

⚠ ПОПЕРЕДЖЕННЯ! Готування на варильній поверхні без нагляду з використанням жиру або олії може бути небезпечним і може призвести до пожежі. НІКОЛИ не намагайтесь загасити пожежу водою, замість цього вимкніть прилад і накрийте вогонь, наприклад, кришкою або протипожежною ковдрою.

Інструкції з техніки безпеки

Встановлення

- Виробник не несе відповідальності за спричинення травм людям і домашнім тваринам, а також пошкодження власності внаслідок недотримання наведених далі вимог.

⚠ УВАГА! Перш ніж перейти до встановлення, прочитайте правила техніки безпеки.

⚠ ПОПЕРЕДЖЕННЯ! Встановлення має здійснюватися з дотриманням законів, розпоряджень, директив і стандартів (правила і норми електричної безпеки, належна

утилізація відповідно до встановлених норм тощо), наявних у країні використання!

- Не встановлюйте прилад біля дверей або під вікнами, адже під час відкривання двері або вікна можуть зіштовхнути з конфорки гарячий посуд.
- Переконайтесь, що прилад не пошкодився під час транспортування. Не підключайте до розетки пошкоджений прилад.
- Не встановлюйте прилад, якщо він був пошкоджений під час транспортування.

- Не підключайте конфорку за допомогою шнурів-подовжувачів і не встановлюйте конфорку так, щоб шнур тягнувся через робочу поверхню.
- Не змінюйте технічні характеристики та не видозмінюйте прилад. Це може призвести до травми чи пошкодження приладу.

⚠ ПОПЕРЕДЖЕННЯ! Уважно дотримуйтесь інструкцій щодо електричних з'єднань.

Електричні з'єднання

- Перш ніж підключати, переконайтесь, що номінальна напруга, вказана на паспортній табличці приладу, відповідає напрузі електромережі. Також перевірте номінальну потужність приладу і переконайтесь, що домашня електрична мережа має відповідні характеристики (див. розділ «Технічні дані»).
- Паспортна табличка знаходиться на нижній панелі конфорки.

⚠ ПОПЕРЕДЖЕННЯ! Небезпека ураження електричним струмом.

- Недостатньо щільне або неналежне підключення шнура може призвести до перегрівання роз'єму.

Перед початком використання:

Перед використанням ознайомтесь з наведеними нижче інструкціями.

- Використовуйте стандартну електричну розетку і регулярно перевіряйте її на наявність будь-яких пошкоджень.
- Не відкривайте прилад самостійно і не дозволяйте це робити некваліфікованим особам. Прилад може ремонтуватися лише агентом з технічного обслуговування або спеціалістом з відповідною кваліфікацією.
- Перевірте шнур живлення і вилку. Якщо шнур живлення і вилка пошкоджені, не користуйтеся приладом. Не беріться за вилку мокрими руками.

- Не використовуйте подовжувачі і користуйтеся лише звичайною електричною розеткою.
- Якщо прилад тривалий час не використовувався, залиште його увімкненим на 10 хвилин, щоб електронні компоненти стабілізувалися. Потім можете починати користуватися приладом.
- Не використовуйте прилад біля води, вогню або в умовах підвищеної вологості. Прилад призначений **ВИКЛЮЧНО** для домашнього використання у приміщенні.
- Перед першим використанням зніміть з приладу усі пакувальні матеріали, наліпки та плівку.
- Після кожного використання вимикайте зони для готування за допомогою відповідних елементів керування, не покладайтесь на детектор посуду.
- Небезпека отримання опіків! Не кладіть на поверхню для готування металеві предмети, як-от ножі, виделки, ложки та кришки, оскільки вони можуть нагрітися.

⚠ ПОПЕРЕДЖЕННЯ! Небезпека виникнення пожежі! Гарячий жир та олія може дуже легко зайнятися.

⚠ ПОПЕРЕДЖЕННЯ! Користувачі з імплантованими кардіостимуляторами мають тримати верхню частину тіла на відстані принаймні 30 см від увімкнених індукційних зон для готування.

⚠ ПОПЕРЕДЖЕННЯ! Не користуйтеся приладом мокрими руками та слідкуйте за тим, щоб панель керування залишалась сухою. Якщо на клавіші панелі керування потрапить багато води, вони перестануть працювати.

⚠ ПОПЕРЕДЖЕННЯ! Якщо поверхня тріснула, вимкніть прилад, щоб запобігти ураженню електричним струмом.

Під час та після використання:

Дотримуйтесь наведених далі інструкцій, щоб уникнути займання і нещасних випадків.

- Встановлюйте прилад **ЛИШЕ** на рівну та стійку поверхню.
- Слідкуйте, щоб діти не гралися з приладом.
- Під час роботи приладу не кладіть на панель жодні з наведених далі предметів.
 - a) Неіржавна сталь
 - b) Залізо
 - c) Чавун
 - d) Алюміній
 - e) Кришка та емальований посуд
 - f) Ніж, виделка чи ложка
 - g) Посуд із заліза, неіржавної сталі, чавуну або алюмінію
 - h) Пустий посуд
- Не переносьте та не пересувайте прилад зі встановленим посудом під час нагрівання.
- Забезпечте належну вентиляцію під час нагрівання.
- Не вставляйте жодні проводи або металеві предмети у забірний або випускний отвори для повітря на цьому пристрої.
- Догляд за панеллю.
 - a) Не кидайте на панель будь-які важкі предмети.
 - b) Не лейте на панель воду, кислоту або інші рідини.
 - c) Не спалюйте нічого у вогні на цій панелі.
 - d) Не ставте зверху гарячий посуд, якщо прилад не використовується.
 - e) Якщо поверхня (панель) тріснула, негайно вимкніть прилад для уникнення ураження електричним струмом та поверніть до найближчого магазину ІКЕА.
 - f) Деякий посуд під час використання може створювати шум. Трохи посуňte посуд, і шум може зникнути або зменшитися. Якщо ні, поміняйте посуд.
- Під час використання не ставте прилад на килим, тканину або папір.
- Не торкайтесь панелі, поки вона гаряча. Навіть якщо живлення вимкнено, панель залишається гарячою, поки світиться індикатор залишкового тепла.
- Не вимикайте прилад з розетки, тягнучи за шнур.
- Перш ніж вимикати прилад з розетки, вимкніть його та зачекайте, поки він не охолоне. Вимикайте прилад з розетки, якщо не будете користуватися ним тривалий час.
- Після використання не залишайте посуд на приладі.

Уникнення пошкодження приладу

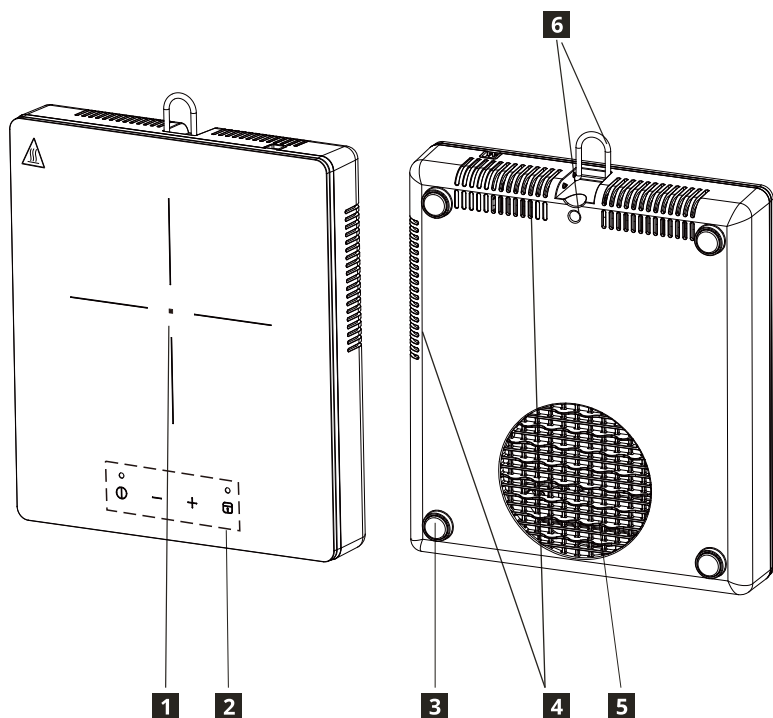
- Керамічне скло може пошкодитися внаслідок падіння на нього предметів або ударів посуду.
- Посуд з чавуну, литого алюмінію або з пошкодженою нижньою поверхнею може подряпати керамічне скло під час пересування.
- Керамічне скло може також пошкодитися у разі падіння на підлогу.
- Щоб не пошкодити посуд і керамічне скло, слідкуйте, щоб вміст каструль або сковорідок повністю не википав.
- Не вмикайте зони для готування, якщо на них немає посуду, або стоїть пустий посуд.
- Ніколи не кладіть на жодну частину приладу алюмінієву фольгу. Ніколи не кладіть пластик або жодні інші плавкі матеріали всередину приладу або на нього.

⚠ ПОПЕРЕДЖЕННЯ! Не вимикайте прилад з розетки, поки не згаснуть індикатори вентиляції та нагрівання.

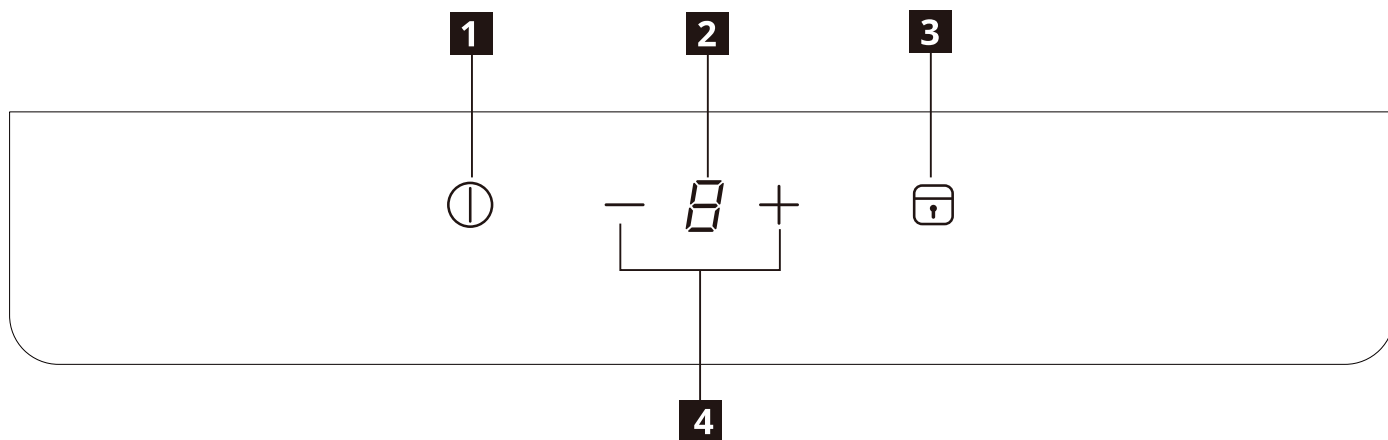
Інформація про акриламід

Важливо! Згідно останніх наукових досліджень інтенсивне підсмажування їжі, особливо продуктів, які містять крохмаль, становить загрозу здоров'ю через акриламід. Тому ми рекомендуємо готувати на максимально низькій температурі та не підсмажувати їжу надто сильно.

Опис виробу



- 1** Зона нагрівання
Зона приготування 170 мм,
2000 Вт
- 2** Панель керування
- 3** Силіконові ніжки
- 4** Випуск повітря
- 5** Впуск повітря
- 6** Гачок для підвішування



Опис панелі керування

- 1** Увімк./Вимк.
- 2** Відображення рівня потужності
- 3** Блокування/Захист від дітей
- 4** Встановлення рівня потужності - / +

Сенсорні елементи керування та індикація на дисплеї

Для керування варильною поверхнею використовуються сенсори. Індикація на дисплеї та звукові сигнали (короткі) підтверджують вибір тієї або іншої функції.

Рівень потужності	1	2	3	4	5	6	7	8	9
Живлення	150 Вт	250 Вт	300 Вт	450 Вт	600 Вт	800 Вт	1100 Вт	1500 Вт	2000 Вт

Індикатори


Посуд встановлений неправильно або відсутній

Цей символ означає, що посуд непридатний для індукційного готування, встановлений неправильно, або його розмір не відповідає вибраній зоні для готування. Якщо посуд не буде виявлений протягом 30 секунд, зона для готування вимкнеться.


Залишкове тепло

Якщо на дисплеї відображається «Н», зона для готування все ще гаряча. Коли зона для готування охолоне, дисплей

вимкнеться.

⚠ ПОПЕРЕДЖЕННЯ! Небезпека отримання опіків через залишкове тепло! Після вимикання приладу зонам для готування потрібен деякий час, щоб охолонути. Перевіряйте за індикатором залишкового тепла .

Використовуйте залишкове тепло для розтоплення або підтримання температури їжі.

Не відключайте прилад, поки значок  не зникне з дисплею.

Щоденне використання

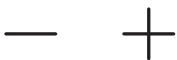


Підключення до розетки

- Після підключення вилки до розетки увімкнеться захист від дітей. Натисніть і тримайте 3 секунди кнопку захисту від дітей, щоб вимкнути захист.

Увімк./Вимк.

- Натисніть клавішу УВІМК./ВИМК., на дисплеї засвітиться «0», як в режимі очікування, після чого засвітиться індикатор живлення. Якщо протягом 30 секунд не вибрати рівень нагрівання, варильна поверхня автоматично вимкнеться навіть без натискання клавіші УВІМК./ВИМК.
- Натисніть клавішу УВІМК./ВИМК. під час роботи приладу, і варильна поверхня вимкнеться.



Встановлення рівня потужності

- Натискайте — або + для регулювання рівня потужності під час роботи пристрою.
- Натискайте —, щоб підняти рівень потужності до «9». Натискайте —, щоб зменшити рівень потужності з «9» до «1».
- Натискання + дозволяє збільшити рівень потужності з «1». Натискайте +, щоб збільшити рівень потужності з «1» до «9».



Функція блокування

Коли зона для готування працює, ви можете заблокувати панель керування, щоб, наприклад, почистити конфорку. Це дозволяє запобігти випадковій зміні рівня потужності. При цьому варильну поверхню все ще можна вимкнути за допомогою клавіші Увімк./Вимк.

Увімкнення блокування

- Встановіть потрібний рівень потужності.
- Натисніть клавішу блокування і тримайте 3 секунди. Функція активується, коли індикатор клавіші блокування засвітиться, і пролунає звуковий сигнал.

Вимкнення блокування

- Натисніть клавішу блокування і тримайте 3 секунди. Функція вимикається, коли індикатор клавіші блокування згасне, і пролунає звуковий сигнал.
- Рівень потужності повернеться до попереднього налаштування.

Функція захисту від дітей

Панель керування можна також заблокувати тоді, коли варильна поверхня не використовується. Ця функція запобігає випадковому спрацюванню приладу.

Увімкнення захисту від дітей

1. Увімкніть прилад за допомогою клавіші УВІМК./ВИМК. Не встановлюйте рівень потужності.
2. Натисніть клавішу блокування і тримайте 3 секунди. Функція активується, коли індикатор клавіші блокування засвітиться, і пролунає звуковий сигнал.
3. Вимкніть прилад за допомогою клавіші УВІМК./ВИМК.

Вимкнення захисту від дітей

1. Натисніть клавішу блокування і тримайте 3 секунди. Функція вимикається, коли індикатор клавіші блокування згасне, і пролунає звуковий сигнал.

Автоматичне вимикання

Ця функція автоматично вимикає варильну поверхню у таких випадках:

- Усі зони для готування вимкнені.
- ВИ не встигли встановити рівень потужності протягом 30 секунд після увімкнення конфорки.
- ВИ не вимкнули зону для готування чи не змінювали рівень потужності протягом 2 годин, або у випадку перегрівання (як-от при википанні вмісту посуду).

Таблиця режимів готування

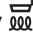
Режим нагріву	Використовується для:	Час (хв)	Корисні поради
1	• Зберігання приготовлених страв теплими.	скільки необхідно	Накрийте посуд кришкою.
1-2	• Приготування соусів типу Голландез, розтоплення масла, шоколаду, желатину.	5-25	Час від часу перемішуйте.
2-3	• Повільне приготування страв на основі рису та молока, розгрівання вже готових страв.	25-50	На одну частину рису додайте принаймні дві частини рідини, не забувайте перемішувати молочні страви в процесі приготування.
4-5	• Готування на пару овочів, риби, м'яса, картоплі.	20-45	Додайте невелику кількість води.
	• Приготування більшої кількості продуктів та тушкування.	60-150	Додайте невелику кількість води.
5-6	• Делікатне смаження: для телятини кордон блю, котлет, биточків, ковбасок, підлив, яєць.	скільки необхідно	Перевертайте в процесі приготування.
7-8	• Приготування картопляників, стейків.	5-15	Перевертайте в процесі приготування.
9	• Кип'ятіння води, приготування макаронних виробів, смаження м'яса (гуляш, печеня), приготування картоплі у фритюрі.		

Інструкції щодо посуду

Рекомендований посуд

Використовуйте лише посуд із дном, виготовленим із феромагнітного матеріалу, призначеного для використання з індукційними варильними поверхнями:

- чавун
- емальована сталь
- вуглецева сталь
- неіржавна сталь (не вся)
- алюміній із феромагнітним покриттям або пластиною.

Щоб дізнатися про придатність посуду, перевірте наявність символу  (зазвичай наноситься на дно посуду). Також можна піднести до дна магніт. Якщо він прилипне, цей посуд працюватиме на індукційній варильній поверхні.

Для оптимальної ефективності завжди використовуйте посуд із рівним дном, що забезпечує рівномірний розподіл тепла. Якщо дно нерівне, це вплине на провідність енергії і тепла.

Використання

Мінімальний діаметр дна посуду відповідно до різних зон для готування

Для належного функціонування варильної поверхні посуд має закривати одну або декілька контрольних точок, що знаходяться на поверхні варильної поверхні, та повинен мати відповідний мінімальний діаметр.

Завжди використовуйте ту зону для готування, яка найбільше відповідає діаметру дна посуду.

Зона для готування	Рекомендований діаметр посуду [мм]
Середня задня зона для готування	120-180

Пустий посуд або посуд із тонким дном

Не використовуйте пустий посуд або посуд із тонким дном, адже конфорка не зможе відстежувати температуру й автоматично вимкнутися у випадку її перевищення, що призведе до пошкодження посуду або поверхні конфорки. Якщо таке трапилось, нічого не торкайтесь і зачекайте, поки компоненти не охолонуть.

Якщо з'явиться повідомлення про помилку, перейдіть до розділу «Пошук та усунення несправностей».

Підказки/поради

Шум під час готування

Під час використання зона для готування може короткий час гудіти. Це характерне усім зонам для готування з керамічного скла і не впливає на

функціонування або термін служби приладу. Тип гудіння залежить від посуду, що використовується. Якщо шум сильно заважає, можна змінити посуд.

Нормальні робочі шуми індукційної плити

Індукційна технологія утворює електромагнітні поля, щоб створювати теплоту безпосередньо на дні посуду. Залежно від процесів виготовлення посуд може видавати різноманітні шуми чи вібрації.

Ці шуми бувають наступними:

Низьке гудіння (наче трансформатор)

Цей шум створюється під час приготування їжі на високому рівні температури. Він базується на кількості енергії, що передається від варильної поверхні до посуду.

Зі зменшенням рівня теплоти такий шум зникає або зменшується.

Тихий свист

Цей шум створюється, коли посуд порожній. Він припиняється після того, як в посуд буде додана рідина або харчовий продукт.

Потріскування

Такий шум виникає із посудом, створеним із шарів різних матеріалів.

Він виникає від вібрації поверхонь на стику різних матеріалів. Такий шум виникає у посуді і може відрізнитися залежно від кількості рідини/продуктів та способу приготування (наприклад, кип'ятіння, тушкування, смаження).

Гучний свист

Такий шум виникає із посудом, створеним із шарів різних матеріалів, коли він використовується на максимальній потужності, а також на обох зонах приготування. Зі зменшенням рівня теплоти такий шум зникає або зменшується.

Ці звуки є звичайним звуком вентилятора

Для правильної роботи електронної системи необхідно регулювати температуру варильної поверхні. Тому вона обладнана вентилятором охолодження, який вмикається для зменшення та регулювання температури електронної системи. Вентилятор може також продовжувати працювати після вимикання пристрою, якщо температура варильної поверхні буде все ще надто високою.

Ритмічні звуки, подібні до годинника

Такий шум виникає лише під час одночасної роботи принаймні трьох зон приготування, і зникає, коли частина таких зон вимикається. Описані шуми є нормальними для індукційної технології і не є ознакою несправності.

Догляд і чищення

- ⚠ ПОПЕРЕДЖЕННЯ!** Вимкніть прилад і зачекайте, поки він охолоне, перш ніж вимикати його з розетки.
- ⚠ ПОПЕРЕДЖЕННЯ!** Вимкніть прилад і зачекайте, поки він охолоне, перш ніж чистити.
- ⚠ ПОПЕРЕДЖЕННЯ!** З міркувань безпеки не чистіть прилад пароочисниками або очисними пристроями високого тиску.
- ⚠ ПОПЕРЕДЖЕННЯ!** Гострі предмети та абразивні засоби для чищення пошкодять прилад. Після кожного використання чистіть прилад і видаляйте бруд водою та миючим засобом. Також витріть усі залишки засобів для чищення!
- ⓘ** Подряпини та темні плями на керамічному склі, які неможливо видалити, не впливають на роботу приладу.

Видалення бруду та стійкого бруду:

- Залишки їжі з цукром, пластик та фольгу слід видаляти одразу — найкращим інструментом для чищення скляної поверхні є шкребок (не надається разом із приладом). Піднесіть шкребок до поверхні керамічного скла під кутом і видаляйте бруд, пересуваючи шкребок по поверхні. Протріть прилад вологою серветкою, змоченою у миючому засобі. Після цього витріть прилад насухо чистою серветкою.
- Вапнякові сліди, сліди води, бризки жиру, блискучі металеві забарвлення слід видаляти після того, як прилад охолоне, за допомогою миючого засобу для керамічного скла або неіржавної сталі.

Пошук та усунення несправностей

Проблема	Можлива причина	Розв'язання
Прилад не працює.	Відсутнє живлення або коротке замикання в електромережі.	
	Підключення до розетки виконане неналежним чином.	Перевірте правильність підключення варильної поверхні до джерела живлення.
	Після увімкнення приладу пройшло більше 10 секунд.	Увімкніть прилад знову.
	Увімкнено захист від дітей.	Вимкніть захист від дітей. (Див. розділ «Функція захисту від дітей»).
	Однчасне торкання декількох сенсорів.	Торкніться лише одного сенсора.
Прилад не працює. Індикація помилки: E1 → E2	Посуд не придатний для індукційного готування.	Поміняйте на посуд, придатний для індукційного готування.
	В зоні для готування відсутній посуд або діаметр посуду менше 120 мм.	Помістіть посуд в зону для готування.
Прилад не працює. Індикація помилки: E1 → E2	Посуд порожній (вміст википів) або надто висока температура готування.	Вимкніть прилад та увімкніть знову через 5 хвилин. Якщо помилка E2 повторюватиметься, зверніться до найближчого магазину IKEA.
	Впуск і випуск повітря заблоковані.	
	Навколишня температура надто висока.	
Прилад не працює. Індикація помилки: E1 → E3	Потужність електромережі перевищує 275 В змінного струму.	Підключіть прилад до придатної електромережі.
Прилад не працює. Індикація помилки: E1 → E4	Потужність електромережі нижче 100 В змінного струму.	Підключіть прилад до придатної електромережі.

Прилад не працює. Індикація помилки: E → 5	Датчик температури приладу не працює.	Зверніться до найближчого магазину IKEA.
Прилад не працює. Індикація помилки: E → 6		
Прилад не працює. Індикація помилки: E → 0	Внутрішня помилка	Вимкніть прилад та увімкніть знову через 5 хвилин. Якщо помилка E0 повторюватиметься, зверніться до найближчого магазину IKEA.

Код помилки з'являється після вмикання конфорки й виявлення помилки. Літера E та номер помилки відображаються по черзі (1 секунда).

Якщо сталася несправність, спробуйте усунути її за допомогою наведених інструкцій з пошуку та усунення несправностей. Якщо усунути проблему не вдається, зверніться до найближчого магазину

IKEA.

ⓘ У разі неправильного використання приладу ремонт може бути платним навіть під час гарантійного періоду.

Технічні дані

Модель	14CP12301
Тип варильної поверхні	Настільна індукційна варильна поверхня
Кількість поверхонь та/або зон для готування	1
Номінальна потужність	2000 Вт
Номінальна напруга	220–240 В~
Номінальна частота	50-60 Гц
Глибина	305 мм
Ширина	270 мм
Висота	62 мм
Маса нетто	2,33 кг

Серійний номер
(22-значний код, що починається з SN)

Номер виробу
(8-значний код)

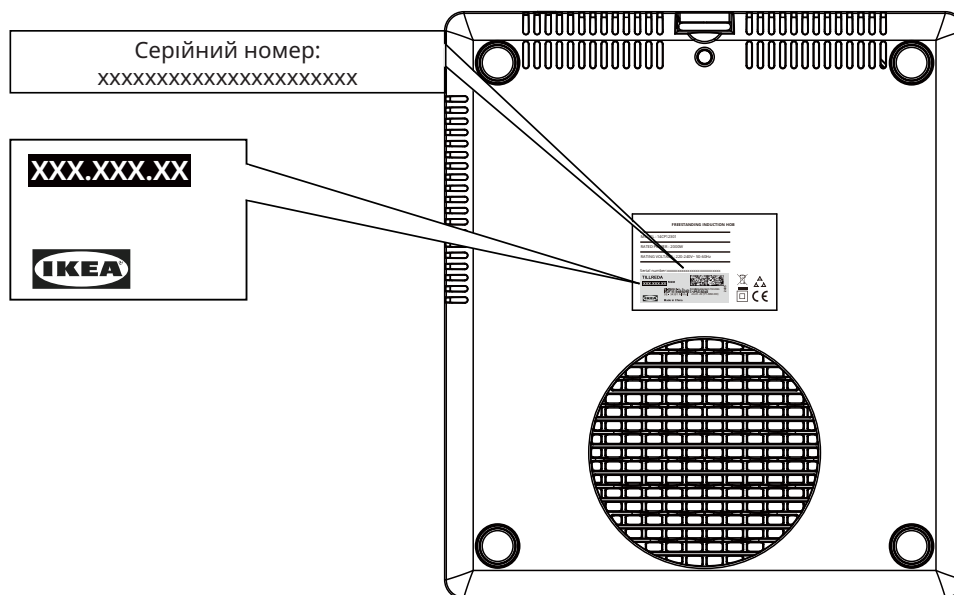



Рисунок лише для довідки

Енергоефективність

Назва моделі	14CP12301
Тип варильної поверхні	Портативний пристрій
Кількість зон для готування	1
Технологія нагрівання	Індукційне
Діаметр круглих зон для готування (Ø)	170 мм
Енергоспоживання однієї зони для куховарення (Енергоспоживання електричної зони для куховарення)	184 Вт год/кг
Енергоспоживання конфорки (Енергоспоживання електричної конфорки)	184 Вт год/кг
Інформація про виріб щодо споживання енергії і час досягнення відповідного режиму низького споживання	Режим вимкнення: 0,5 Вт
Максимальний час, потрібний для досягнення відповідного режиму низького споживання	5 секунд
Директива 2009/125/ЄС, РЕГЛАМЕНТ КОМІСІЇ (ЄС) № 66/2014, EN 60350-2:2018+A1:2021.	


Захист навколишнього середовища**Утилізація побутових приладів**

Символ  на виробі або його упаковці вказує на те, що цей виріб не можна викидати разом з побутовим сміттям. Замість цього віднесіть виріб до пункту утилізації електричного та електронного обладнання. Забезпечивши належну утилізацію цього виробу, ви допоможете уникнути можливого негативного впливу на довкілля і здоров'я людей, що може виникнути внаслідок неправильної утилізації цього виробу. За більш детальною інформацією про утилізацію цього виробу зверніться до місцевих органів самоврядування, служби утилізації побутових відходів або магазину, де ви придбали виріб.

⚠ ПОПЕРЕДЖЕННЯ! Виконайте такі кроки для утилізації приладу:

- Витягніть штепсельну вилку приладу з електричної розетки.
- Відріжте кабель живлення та позбавтесь його.

Утилізація пакувальних матеріалів

Матеріали, позначені символом , придатні для вторинної переробки. Викиньте пакувальні матеріали у відповідні контейнери для збирання сміття.

Енергозбереження

- Коли це можливо, накривайте посуд кришками.
- Ставте посуд у зону для готування до того, як вмикати її.
- Дно посуду має бути якомога товстішим та рівним.

Гарантія ІКЕА

Скільки часу дійсна гарантія ІКЕА?

Ця гарантія дійсна протягом 2 років з дати придбання вашого пристрою в компанії ІКЕА, якщо інше не передбачено національним законодавством. Щоб дізнатися умови гарантії, що діють у вашій країні, перейдіть на сайт [IKEA.com](http://ikea.com). У якості доказу покупки надавайте оригінальний товарний чек. Виконання гарантійних робіт не продовжує гарантійний період для цього пристрою.

Хто здійснює обслуговування?

Зверніться до найближчого магазину ІКЕА.

Що покриває ця гарантія?

Ця гарантія покриває несправності цього пристрою, що виникли внаслідок дефектів конструкції або матеріалів, та починає діяти з часу придбання цього пристрою в ІКЕА.

Ця гарантія стосується тільки домашнього використання.

Виключення наведені в розділі «Що не покриває ця гарантія?» В межах гарантійного періоду кошти для усунення несправностей, наприклад, для ремонту, запчастин, оплати праці та відрядження, будуть відшкодовані, якщо пристрій доступний для ремонту без спеціальних витрат. Замінені деталі стають власністю ІКЕА.

Як ІКЕА вирішує виявлені проблеми?

ІКЕА обстежить цей пристрій та вирішить на власний розсуд, чи покривається несправність цією гарантією. Якщо так, тоді ІКЕА на власний розсуд вирішує або чинити несправний виріб, або замінити його на такий саме або аналогічний виріб.

Що не покриває ця гарантія?

- Природне зношування.
- Навмисне пошкодження чи пошкодження, спричинене недбалістю, пошкодження через недотримання інструкцій з експлуатації, неправильне встановлення чи підключення до електромережі з невідповідною напругою, пошкодження внаслідок хімічної чи електрохімічної реакції, іржавіння, корозія чи пошкодження водою, зокрема пошкодження через надмірний рівень кальцію у воді, пошкодження через аномальні умови навколишнього середовища.
- Витратні матеріали, включено з батареями й лампами.

- Нефункціональні та декоративні деталі, які не впливають на звичайне використання приладу, включно з подряпинами та знебарвленням.
- Випадкове пошкодження, спричинене сторонніми предметами чи речовинами та чищенням чи розблокуванням фільтрів, дренажних систем чи мастильних систем.
- Пошкодження таких деталей: керамічне скло, додаткове приладдя, тарілки та сушарки для столових приборів, труби подачі та відведення води, лампи та кришки ламп, екрани, регулятори, корпуси та частини корпусів. Хіба що буде доведено, що пошкодження цих деталей спричинене дефектами виробництва.
- Ремонт, виконаний не нашими офіційними постачальниками послуг та/або уповноваженими сервісними партнерами, або такий, під час якого використовувалися неоригінальні деталі.
- Ремонт, потрібний через неналежне встановлення або встановлення з порушенням вимог.
- Використання пристрою в не побутових умовах, як-от професійне використання.
- Пошкодження під час транспортування. Якщо покупець транспортує виріб додому або до іншої адреси, компанія ІКЕА не несе відповідальності за жодні пошкодження під час транспортування. Проте, якщо компанія ІКЕА доставляє виріб до вказаної покупцем адреси, і під час доставки стаються пошкодження, такий випадок покривається гарантією ІКЕА.
- Вартість першого встановлення приладу ІКЕА. Проте, якщо призначений ІКЕА постачальник послуг або його уповноважений сервісний партнер відремонтує або замінить цей пристрій згідно умов цієї гарантії, постачальник послуг або його уповноважений сервісний партнер перевстановить відремонтований пристрій або в разі потреби замінить його.

Застосування місцевих законів

Гарантія ІКЕА дає вам спеціальні юридичні права, які покривають або перевищують всі місцеві юридичні вимоги. Проте ці умови жодним чином не обмежують права покупця, описані в місцевих законах.

Область дії

Для пристроїв, придбаних в одній країні ЄС та перевезених в іншу країну ЄС, послуги будуть надаватися в рамках умов гарантії, що є прийнятими в новій країні. Зобов'язання надавати послуги в рамках гарантії дійсне тільки, якщо пристрій відповідає та встановлений згідно з:

- технічними характеристиками в країні, в якій буде зроблений запит щодо гарантійного обслуговування;
- інструкції зі збирання та правила техніки безпеки з інструкцій користувача.

Післяпродажне обслуговування пристроїв ІКЕА

Звертайтеся до ІКЕА у таких випадках:

- якщо ви хочете зробити сервісний запит в рамках цієї гарантії;
- роз'яснення роботи функцій пристроїв ІКЕА.

З метою забезпечити найкраще обслуговування, уважно прочитайте інструкції зі збирання та/або інструкції користувача, перш ніж звертатися до нас.

Як звернутися до нас за обслуговуванням



Служба післяпродажного обслуговування ІКЕА надасть основні інструкції з усунення несправності вашого пристрою по телефону під час прийому запиту на обслуговування. Номер телефону та години роботи місцевого магазину можна дізнатися в каталозі ІКЕА чи на сайті www.ikea.com.

Для пришвидшення обслуговування також завжди повідомляється номер виробу ІКЕА (8-значний код), вказаний на паспортній таблиці вашого пристрою.

ЗБЕРЕЖІТЬ ТОВАРНИЙ ЧЕК!

Це ваш доказ покупки, який вимагається для надання гарантійних послуг. На товарному чеку також можна знайти назву та номер виробу ІКЕА (8-значний код) для кожного придбаного вами пристрою.

Вам потрібна додаткова допомога?

Якщо у вас є якісь додаткові питання, не пов'язані з післяпродажним обслуговуванням ваших пристроїв, зателефонуйте до контактному центру найближчого магазину ІКЕА. Ми рекомендуємо уважно прочитати документацію приладу, перш ніж звертатися до нас.

Sadržaj

Informacije o bezbednosti	322	Održavanje i čišćenje	330
Bezbednosna uputstva	323	Rešavanje problema	330
Opis proizvoda	325	Tehnički podaci	331
Indikatori	326	Energetska efikasnost	332
Svakodnevna upotreba	327	Informacije u vezi sa zaštitom životne sredine	332
Tabela pripreme hrane	328	IKEA garancija	333
Smernice za posuđe	328		

Informacije o bezbednosti

ⓘ Da biste obezbedili sopstvenu bezbednost i pravilan rad uređaja, pažljivo pročitajte ovaj priručnik pre ugradnje i upotrebe uređaja. Sačuvajte ovaj priručnik uz uređaj i kada se preselite ili ga prodate. Korisnici moraju da budu potpuno upućeni u rad i zaštitne funkcije ovog uređaja.

Pravilna upotreba

- Ne ostavljajte uređaj bez nadzora dok radi.
- Uređaj je projektovan isključivo za upotrebu u domaćinstvima.
- Uređaj je projektovan isključivo za upotrebu u zatvorenom prostoru.
- Uređaj ne sme da se koristi kao radna površina ni kao površina za čuvanje stvari.
- Ne stavljajte i ne čuvajte zapaljive tečnosti, izuzetno zapaljive materijale ni topive predmete (npr. plastične folije, plastične predmete, aluminijum) na uređaju ili u blizini uređaja.
- Budite pažljivi pri priključivanju električnih uređaja u utičnice u blizini. Ne dozvolite da strujni kablovi stupe u kontakt sa uređajem ili vrelim posuđem ili da dospeju ispod njih.
- Nemojte sami vršiti popravke da ne bi došlo do povreda i oštećenja uređaja. Uvek se obratite najbližoj prodavnici IKEA.

Bezbednost dece i manje sposobnih lica

- Deca od 8 godina i starija, kao i osobe sa smanjenim fizičkim, čulnim ili mentalnim sposobnostima ili bez dovoljnog iskustva i znanja mogu da koriste ovaj uređaj samo ako su pod nadzorom ili su im data uputstva u vezi sa korišćenjem uređaja na

bezbedan način i ako razumeju opasnosti koje pri tome postoje.

- Držite svu ambalažu van domašaja dece. Postoji rizik od gušenja.
- Vodite računa da se deca ne nalaze u blizini uređaja dok se ne koristi.
- Deca mlađa od 8 godina moraju se držati podalje od uređaja, osim ako su pod stalnim nadzorom.
- Deca ne smeju da se igraju ovim uređajem. Održavanje i čišćenje ne smeju da obavljaju deca bez nadzora.

⚠ **UPOZORENJE!** Aktivirajte zaštitu za decu da mala deca i ljubimci ne bi slučajno uključili ovaj uređaj.

Opšta bezbednost

- Vodite računa da ventilacioni otvori na kućištu uređaja, odnosno na prostoru u koji je uređaj ugrađen, uvek budu bez prepreka.
- Da ne bi došlo do povrede, ne dodirujte ploču dok sija indikator vruće ploče.
- Da ne bi došlo do strujnog udara, ne stavljajte predmete u ugradnu indukcionu ploču dok radi.
- Ne obmotavajte kabl oko vrata da ne bi nastala opasnost od davljenja.
- Uređaj ne sme da se čisti pomoću parnog čistača.
- Metalni predmeti kao što su noževi, viljuške, kašike ili poklopci ne smeju se spuštati na grejnu površinu uređaja, jer mogu postati vreli.
- Nakon upotrebe, isključite uređaj pomoću njegovih kontrolnih dugmadi i nemojte se naslanjati na senzore za posude.

- Ovaj uređaj nije namenjen da se njime upravlja pomoću spoljnog tajmera ili posebnog sistema daljinskog upravljanja.
- Treba voditi računa da se izbegne dodirivanje grejnih elemenata.
- Ako se ošteti kabl za napajanje, potrebno je da ga zameni proizvođač, ovlašćeni servisni centar ili druga slično kvalifikovana osoba, kako bi se izbegao rizik. Obratite se najbližoj prodavnici IKEA.
- Ovaj uređaj namenjen je za upotrebu u domaćinstvu i sličnim sredinama kao što su:
 - čajne kuhinje u okviru prodavnica, kancelarija i drugih poslovnih prostora;
 - na farmama;
 - od strane gostiju hotela, motela i u drugom stambenom prostoru;
 - u ugostiteljskim objektima koji pružaju noćenje sa doručkom.

⚠ OPREZ: Vrela površina. Površine mogu da se jako zagreju tokom upotrebe.

⚠ UPOZORENJE! Ako napukne površina, isključite uređaj da biste izbegli mogućnost strujnog udara. Obratite se najbližoj prodavnici IKEA.

⚠ UPOZORENJE! Uređaj i njegovi pristupačni delovi postaju vreli tokom upotrebe.

⚠ UPOZORENJE! Kuvanje na uređaju bez nadzora, uz upotrebu masti ili ulja, može da bude opasno i može da dovede do požara. NIKADA ne pokušavajte da ugasite požar pomoću vode, već isključite uređaj, a zatim prekrijte plamen, koristeći npr. poklopac ili protivpožarno ćebe.

Bezbednosna uputstva

Ugradnja

- Proizvođač ne snosi odgovornost za povrede osoba i kućnih ljubimaca ni za oštećenje imovine koje nastane zbog nepoštovanja dole navedenih uslova.
- ⚠ OPREZ!** Pri ugradnji primenjujte uputstva iz odeljka Informacije o bezbednosti.
- ⚠ UPOZORENJE!** Postupak ugradnje mora da bude usklađen sa zakonima, propisima, direktivama i standardima (pravila i propisi o bezbednosti električnih sistema, pravilno recikliranje u skladu sa propisima itd.) koji važe u zemlji korišćenja!
- Nemojte ugrađivati ovaj uređaj u blizini vrata ni ispod prozora jer može da dođe do prevrtanja posuđa sa ploče pri otvaranju vrata, tj. prozora.
- Proverite da li je možda došlo do oštećenja uređaja pri transportu. Ako je uređaj oštećen, nemojte ga priključivati.
- Ne ugrađujte uređaj ako je oštećen pri transportu.

- Ne priključujte ploču u struju preko produžnog kabla i ne montirajte je tako da strujni kabl prelazi preko radnih površina.
- Ne menjajte specifikacije i ne modifikujte ovaj proizvod. Postoji rizik od povrede i oštećenja proizvoda.

⚠ UPOZORENJE! Pažljivo pratite uputstva u pogledu uslova povezivanja na struju.

Električno povezivanje

- Pre povezivanja proverite da li nominalni napon uređaja, naveden na nazivnoj pločici, odgovara naponu izvora struje koji će se koristiti. Takođe, proverite nominalnu snagu uređaja i uverite se da kućne strujne instalacije odgovaraju nominalnoj snazi uređaja (pogledajte poglavlje Tehnički podaci).
- Nazivna pločica se nalazi na donjem delu kućišta ploče.
- ⚠ UPOZORENJE!** Rizik od povrede električnom strujom.
- Labav ili neadekvatan spoj utikač-utičnica može da dovede do pregrevanja utičnice.

Pre upotrebe:

Pre korišćenja obratite pažnju na uputstva navedena ispod.

- Koristite standardne strujne utičnice i redovno ih proveravajte da ne dođe do oštećenja.
- Ne otvarajte ovaj uređaj sami i ne dozvolite to isto nekvalifikovanim osobama. Ovaj uređaj sme da popravlja samo serviser ili tehničar sličnih kvalifikacija.
- Proverite strujni kabl i utikač. Ako je strujni kabl ili utikač oštećen, ne koristite uređaj. Ne vucite utikač mokrim rukama.
- Ne koristite produžni kabl, već isključivo zidne utičnice.
- Ako uređaj nije korišćen duže vreme, prvo ga uključite i ostavite da radi 10 minuta ga da bi se stabilizovale električne komponente. Posle toga možete da počete sa upotrebom uređaja.
- Ne koristite ovaj uređaj u blizini vode, plamena ili vlažnog mesta. Ovaj uređaj je namenjen ISKLJUČIVO za upotrebu u domaćinstvima u zatvorenom prostoru.
- Uklonite sav ambalažni materijal, nalepnice i foliju sa uređaja pre prve upotrebe.
- Nakon svake upotrebe, pomoću odgovarajućih komandi isključite zone koje ste koristili, ne oslanjajte se na detektor posuđa.
- Postoji rizik od opekotina! Ne stavljajte predmete od metala, poput noževa, viljuški, kašika i činija, na grejnu površinu, jer mogu jako da se zagreju.

⚠ UPOZORENJE! Opasnost od požara! Pregrejane masti i ulja mogu vrlo brzo da se zapale.

⚠ UPOZORENJE! Korisnici sa ugrađenim pejsmejkerom ne smeju gornjim delom tela da se približavaju indukcionim grejnim zonama na bliže od 30 cm dok rade.

⚠ UPOZORENJE! Ne rukujte ovim uređajem ako su vam ruke mokre i vodite računa da područje sa komandama uvek bude suvo. Ako veća količina vode dospe na dugmad komandne table, pokvariće se.

⚠ UPOZORENJE! Ako je površina naprsla, isključite uređaj zbog opasnosti od strujnog udara.

Tokom i posle upotrebe:

Obratite pažnju na uputstva navedena ispod da ne bi došlo do požara i nezgoda.

- Postavljajte ovaj uređaj ISKLJUČIVO na ravnu i čvrstu površinu.
- Deca moraju da budu pod nadzorom da se ne bi igrala sa uređajem.
- Ne stavljajte ništa od sledećih predmeta na ploču dok uređaj radi.
 - a) Nerđajući čelik
 - b) Gvožđe
 - c) Liveno gvožđe
 - d) Aluminijum
 - e) Poklopci i emajlirani predmeti
 - f) Noževi, viljuške i kašike
 - g) Tanjiri od gvožđa, nerđajućeg čelika, livenog gvožđa i aluminijuma
 - h) Prazno posuđe
- Ne prenosite i ne premeštajte uređaj ako je na njemu posuđe dok grejni elementi rade.
- Vodite računa da tokom rada postoji odgovarajuća ventilacija oko uređaja.
- Ne gurajte žiču ni metalne predmete u ventilacione otvore uređaja.
- Održavanje ploče.
 - a) Ne ispuštajte teške predmete na ploču.
 - b) Ne sipajte vodu, kiselinu ni druge tečnosti na ploču.
 - c) Nemojte ništa flambirati na ploči.
 - d) Ne stavljajte vrelo posuđe na površinu uređaja dok se ne koristi.
 - e) Ako je površina (ploča) naprsla, odmah isključite uređaj da ne bi došlo do strujnog udara i vratite ga u najbližu prodavnicu IKEA.
 - f) Pojedini komadi posuđa mogu da proizvode buku tokom korišćenja. Datu posudu malo pomerite da bi se buka eliminisala ili smanjila. Ako do toga ne dođe, uzmite drugu posudu.

- Ne držite uređaj na tepihu, tkanini ili papirnom materijalu dok radi.
- Ne dodirujte ploču kada je vrela. Ploča je topla sve dok se ne isključi indikator vruće ploče, bez obzira na to da li je napajanje uključeno.
- Ne isključujte uređaj povlačenjem kabla.
- Isključite uređaj i sačekajte da se ohladi pre isključivanja iz utičnice. Isključite strujni kabl iz utičnice ako uređaj nećete koristiti duže vreme.
- Udaljite posuđe od uređaja nakon upotrebe.

Kako izbeći oštećenje uređaja

- Staklokeramičku ploču mogu da oštete predmeti koji padnu na nju i predmeti koje posuđe obori.
- Posuđe od livenog gvožđa, livenog aluminijuma ili sa oštećenim dnom može da izgrebe staklokeramičku ploču ako se gura po površini iste.
- Staklokeramička ploča može da se ošteti ako se ispusti na pod.

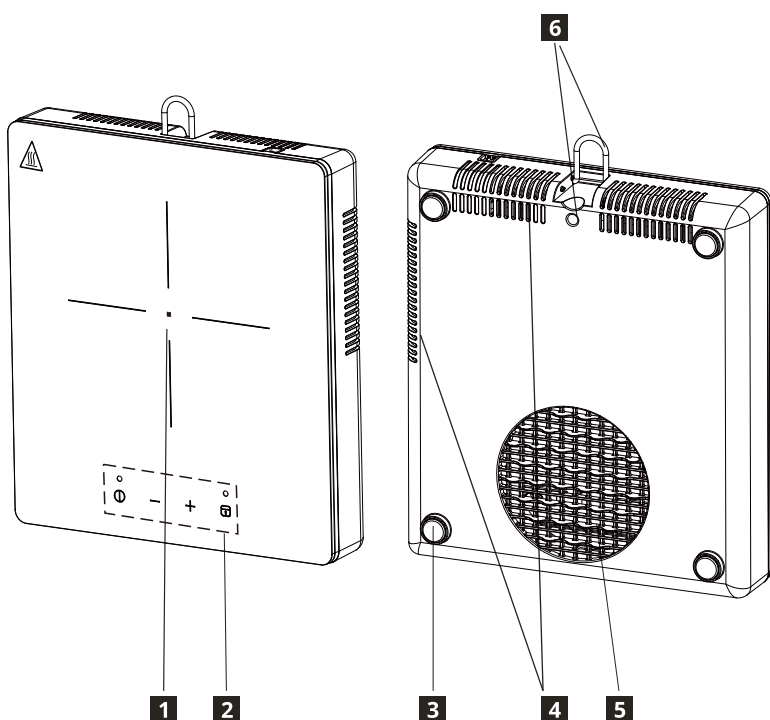
- Da ne bi došlo do oštećenja posuđa i staklokeramičke ploče, ne dozvolite da sva tečnost ispari iz šerpe, tj. tiganja.
- Ne uključujte grejne zone dok je na njima prazno posuđe ili kad na njima nema posuđa.
- Nipošto ne stavljajte aluminijumsku foliju ni na koji deo uređaja. Nipošto ne stavljajte na uređaj plastične ni druge topive materijale.

⚠ UPOZORENJE! Ne isključujte uređaj iz struje dok se ne isključe ventilator i indikator vruće ploče koji mogu da rade neko vreme nakon korišćenja uređaja.

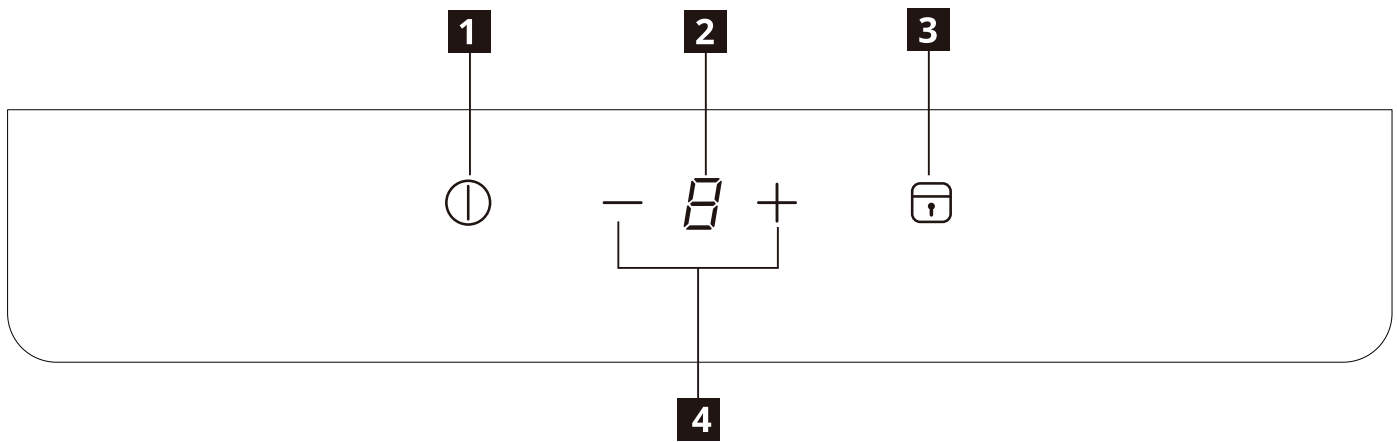
Informacije o akril-amidima

Važno! Prema najnovijim naučnim saznanjima, intenzivno reš-pečenje, posebno namirnica koje sadrže skrob, može da stvori rizik po zdravlje zbog nastanka akril-amida. Zato preporučujemo da namirnice pripremate na najnižoj mogućoj temperaturi i izbegavate preterano zapecanje hrane.

Opis proizvoda



- 1** Zona zagrevanja
Grejna zona 170 mm, 2000 W
- 2** Komandna tabla
- 3** Silikonsko podnožje
- 4** Otvor za izlaz vazduha
- 5** Otvor za ulaz vazduha
- 6** Kuka za kačenje



Raspored elemenata na komandnoj tabli

- 1** Uključivanje/isključivanje
- 2** Prikaz nivoa snage
- 3** Zaključavanje/zaštita za decu
- 4** Podešavanja nivoa snage - / +

Senzorska polja i ekrani osetljivi na dodir

Pločom se upravlja putem dodirivanja senzorskih polja. Ekрани i zvučni signali (kratki pisak) potvrđuju biranje funkcija.

Nivo snage	1	2	3	4	5	6	7	8	9
Snaga	150 W	250 W	300 W	450 W	600 W	800 W	1100 W	1500 W	2000 W

Indikatori

U Posuda nije pravilno postavljena ili uopšte nije stavljena

Ovaj simbol se pojavljuje ako posuda nije pogodna za indukciono kuvanje, nije pravilno postavljena ili nije odgovarajuće veličine za izabranu grejnu zonu. Ako se u roku od 30 sekundi od biranja ne detektuje posuda, grejna zona će se isključiti.

H Zaostala toplota

Ako ekran pokazuje „H“, grejna zona je još uvek vruća. Kada se grejna zona ohladi, ekran će se isključiti.

⚠ UPOZORENJE! Postoji rizik od opekotina usled dejstva zaostale toplote! Nakon isključivanja uređaja grejnim zonama treba neko vreme da se ohlade. Pogledajte koji je status indikatora vruće ploče **H**.

Zaostalu toplotu možete da koristite za otapanje namirnica i održavanje hrane toplom. Ne isključujte ovaj proizvod iz struje dok **H** ne nestane sa ekrana.

Svakodnevna upotreba



Priključivanje u struju

1. Nakon priključivanja utikača u utičnicu, aktivira se zaštita za decu. Ako želite da je deaktivirate, pritisnite i 3 sekunde držite taster zaštite za decu.

Uključivanje/isključivanje

1. Kada pritisnete dugme za UKLJUČIVANJE/ISKLUČIVANJE, na ekranu se prikaže „0“, što znači da je uređaj u stanju pripravnosti, a indikator napajanja počinje da sija. Ako u roku od 30 sekundi ne izaberete nivo toplote, ploča će se automatski isključiti bez pritiskanja dugmeta za UKLJUČIVANJE/ISKLUČIVANJE.
2. Kada se dugme za UKLJUČIVANJE/ISKLUČIVANJE pritisne tokom rada, ploča se isključuje.



Podešavanja nivoa snage

1. Pritiskom na — ili + regulišete nivo snage tokom rada.
2. Kada pritisnete —, nivo snage automatski direktno ide na „9“. Kada pritisnete —, smanjujete nivo snage u rasponu od „9“ do „1“.
3. Pritisnite + i nivo snage će se povećati sa „1“. Kada pritisnete +, nivo snage se povećava u rasponu od „1“ do „9“.



Funkcija zaključavanja

Dok grejna zona radi, komandna tabla može da bude zaključana, na primer dok čistite ploču. To sprečava slučajnu promenu nivoa snage. Ploča i dalje može da se isključi pomoću dugmeta za uključivanje/isključivanje.

Aktiviranje zaključavanja

1. Podesite željeni nivo snage.
2. Pritisnite dugme za zaključavanje i držite ga 3 sekunde. Ova funkcija se aktivira kada se uključi indikator dugmeta za zaključavanje i oglasi se zvuk.

Deaktiviranje zaključavanja

1. Pritisnite dugme za zaključavanje i držite ga 3 sekunde. Ova funkcija se deaktivira kada se isključi indikator dugmeta za zaključavanje i oglasi se zvuk.
2. Nivo snage će se vratiti na prethodno podešenu vrednost.

Funkcija zaštite za decu

Komandna tabla može da bude zaključana i dok se ploča ne koristi. Ta funkcija sprečava slučajno uključivanje uređaja.

Aktiviranje zaštite za decu

1. Uključite uređaj pomoću dugmeta za UKLJUČIVANJE/ISKLUČIVANJE. Ne podešavajte nijedan nivo snage.
2. Pritisnite dugme za zaključavanje i držite ga 3 sekunde. Ova funkcija se aktivira kada se uključi indikator dugmeta za zaključavanje i oglasi se zvuk.
3. Isključite uređaj pomoću dugmeta za UKLJUČIVANJE/ISKLUČIVANJE.

Deaktiviranje zaštite za decu

1. Pritisnite dugme za zaključavanje i držite ga 3 sekunde. Ova funkcija se deaktivira kada se isključi indikator dugmeta za zaključavanje i oglasi se zvuk.

Automatsko isključivanje

Ova funkcija automatski isključuje ploču ako:

- Su sve grejne zone isključene.
- VI ne podesite nivo snage nakon uključivanja ploče u roku od 30 sekundi.
- VI ne isključite grejnu zonu ili ne promenite nivo snage posle 2 sata, ili ako dođe do pregrevanja (npr. ako tiganj ostane suv).

Tabela pripreme hrane


Podešavanje toplote	Vrsta upotrebe:	Vreme (min)	Saveti
1	• Održavanje temperature spremljene hrane.	po potrebi	Stavite poklopac na posudu.
1-2	• Holandez sos, topljenje: maslac, čokolada, želatin.	5-25	Povremeno promešati.
2-3	• Kuvanje pirinča i jela na bazi mleka, podgrevanje polugotove hrane.	25-50	Na jednu meru pirinča dodajte dve mere tečnosti; jela sa mlekom promešajte na pola pripreme.
4-5	• Priprema povrća, ribe, mesa, krompira na pari.	20-45	Dodajte malu količinu vode.
	• Spremanje veće količine hrane i kuvanih jela.	60-150	Dodajte malu količinu vode.
5-6	• Kraće prženje: goveđa „plava traka“, kotleti, rizoli, kobasice, bešamel, jaja.	po potrebi	Okrenite na pola pripreme.
7-8	• Pljeskavice od krompira, šnicle.	5-15	Okrenite na pola pripreme.
9	• Prokuvavanje vode, kuvanje testenine, zapržavanje mesa (gulaš, dinstano meso), prženje pomfrita u dubokoj masnoći.		

Smernice za posuđe

Kakvo posuđe koristiti

Koristite samo lonce i tiganje izrađene od feromagnetnih materijala pogodnih za upotrebu na indukcionim pločama:

- Liveno gvožđe
- Emajlirani čelik
- Ugljenični čelik
- Nerđajući čelik (mada ne svaki)
- Aluminiјum sa feromagnetnom oblogom ili feromagnetnim dnom

Da biste znali da li vaš lonac ili tiganj odgovara, potražite da li ima simbol  (obično je utisnut na dno). Takođe, trebalo bi da može da drži magnet zalepljenim za dno. Ako se lepi za dno, to znači da će posuđe raditi na indukcionoj ploči.

Da biste osigurali maksimalnu efikasnost, uvek koristite lonce i tiganje sa ravnim dnom, koji ravnomerno raspoređuju toplotu. Ako je dno neravno, to će uticati na snagu i provođenje toplote.

Kako se koristi

Minimalni prečnik dna lonca/tiganja za različite grejne zone

Da biste bili sigurni da će ploča pravilno raditi, lonac mora da pokriva bar jednu tačku interferencije naznačenu na površini ploče i mora da bude bar minimalnog prečnika.

Uvek koristite grejnu zonu koja najviše odgovara prečniku dna posude.

Grejna zona	Preporučeni prečnik posude [mm]
Srednja zadnja grejna zona	120-180

Prazni lonci/tiganji i oni sa tankim dnom

Na ovoj ploči ne koristite prazne lonce/tiganje ili one sa tankim dnom jer ploča neće moći da prati temperaturu ni da se automatski isključi ako temperatura previše poraste, što dovodi do oštećenja posude ili površine ploče. Ako do toga dođe, ne dodirujte ništa i sačekajte da se sve komponente ohlade.

Ako se pojavi poruka o grešci, pogledajte odeljak „Rešavanje problema“.

Saveti**Buka tokom spremanja hrane**

Kada je grejna zona aktivna, može nakratko da se čuje brujanje iz nje. To je odlika svih staklokeramičkih grejnih zona i ne narušava funkcionisanje ili radni vek uređaja. Buka zavisi od posuđa koje se koristi. Ako izaziva znatne smetnje, problem možda možete da rešite promenom posuđa.

Uobičajeni zvuci pri radu indukcione ploče

Indukciona tehnologija se zasniva na stvaranju elektromagnetnih polja radi stvaranja toplote direktno na dnu posuđa. Lonci i tiganji mogu stvoriti različite zvukove ili vibracije u zavisnosti od toga kako su proizvedeni.

Ovi zvuci se opisuju na sledeći način:

Tiho brujanje (kao transformator)

Ovaj zvuk se javlja kad se hrana sprema na visokoj temperaturi. Zavisi od količine energije koja se prenosi sa ploče za kuvanje na posudu. Zvuci prestaju ili se stišavaju kada se nivo toplote smanji.

Tiho zviždanje

Ovaj zvuk se javlja kad je posuda u kojoj se sprema hrana prazna. Prestaje kad se tečnosti ili hrana stave u sud.

Pucketanje

Ovaj zvuk se stvara kod posuđa napravljenog od različitih slojevito postavljenih materijala. Nastaje usled vibracija površina na kojima se dodiruju različiti materijali. Zvuk se stvara na posuđu i može da varira u zavisnosti od količine hrane ili tečnosti i načina kuvanja (npr. kuvanje, krčkanje, prženje).

Glasno zviždanje

Ovaj zvuk se stvara kod posuđa napravljenog od različitih slojevito postavljenih materijala i kada se dodatno koriste na maksimalnoj snazi i na dve grejne zone. Zvuci prestaju ili se stišavaju kada se nivo toplote smanji.

Ovi zvuci su normalni zvukovi ventilatora

Da bi elektronski sistem pravilno radio, potrebno je regulisati temperaturu ploče za kuvanje. U tu svrhu, ploča za kuvanje je opremljena ventilatorom za hlađenje, koji se aktivira kako bi se smanjila i regulisala temperatura elektronskog sistema. Ventilator takođe može da nastavi da radi nakon što se uređaj isključi ako je detektovana temperatura ploče za kuvanje i dalje prevruća nakon isključivanja.

Ritmični zvuci, slični otkucajima sata

Ovaj zvuk se stvara samo kada rade najmanje tri grejne zone i nestaje ili slabi kada se neke od njih isključe.

Opisani zvuci su normalna pojava kod indukcione tehnologije i ne treba ih smatrati nedostacima.

Održavanje i čišćenje

- ⚠ UPOZORENJE!** Pre isključivanja utikača strujnog kabela iz utičnice, isključite uređaj i sačekajte da se ohladi.
- ⚠ UPOZORENJE!** Pre čišćenja, isključite uređaj i sačekajte da se ohladi.
- ⚠ UPOZORENJE!** Iz bezbednosnih razloga, nemojte čistiti uređaj paračistačem ni mašinom za pranje pod pritiskom.
- ⚠ UPOZORENJE!** Oštri predmeti i abrazivna sredstva za čišćenje dovode do oštećenja ovog uređaja. Nakon svake upotrebe očistite uređaj i uklonite prljavštinu vodom i deterdžentom za sudove. Uklonite i ostatke deterdženta!
- ⓘ** Ogrebotine i tamne mrlje na staklokeramičkoj površini koje ne mogu da se uklone ne utiču na rad uređaja.

Uklanjanje prljavštine i upornih fleka:

- Namirnice koje sadrže šećer, plastiku i ostatke aluminijumske folije treba hitno ukloniti, za šta će najbolje poslužiti specijalni strugač (ne dobija se uz uređaj). Strugač postavite na ploču pod uglom i očistite prljavštinu prevlačenjem njegovog noža preko površine. Prebrišite uređaj vlažnom krpom sa malo deterdženta za posuđe. Na kraju osušite uređaj glancanjem čistom krpom.
- Prstenove kamenca, prstenove od vode, isprskanu masnoću i fleke na sjajnim metalnim delovima treba očistiti kada se uređaj ohladi, i to pomoću sredstva za čišćenje staklokeramičkih ploča ili nerđajućeg čelika.

Rešavanje problema

Problem	Mogući uzrok	Rešenje
Uređaj ne radi.	Nestanak struje ili kratak spoj u utičnici u kući.	
	Utikač strujnog kabela nije pravilno priključen u strujnu utičnicu.	Pregledajte da li je ploča pravilno uključena u izvor napajanja.
	Prošlo je više od 10 sekundi od uključivanja uređaja.	Ponovo uključite uređaj.
	Zaštita za decu je uključena.	Deaktivirajte zaštitu za decu. (Pogledajte odeljak „Uređaj za zaštitu dece“).
	Istovremeno je dodirnuto više senzorskih polja.	U datom trenutku je dozvoljeno dodirnuti samo jedno senzorsko polje.
Uređaj prestaje da radi. Indikacija greške: U + U	Posuda nije pogodna za indukcionu uređaje.	Počnite da koristite posuđe pogodno za korišćenje na indukcionim pločama.
	Na grejnoj zoni ne stoji posuda ili je prečnik dna posude manji od 120 mm.	Stavite posudu na grejnu zonu.
Uređaj prestaje da radi. Indikacija greške: E + 2	Posuda je prazna (sva tečnost je isparila) ili je temperatura na kojoj se hrana priprema previsoka.	Isključite uređaj, pa ga ponovo uključite posle 5 minuta. Ako greška E2 ne nestane, obratite se najbližoj prodavnici IKEA.
	Nešto blokira otvor za usis ili izduv vazduha.	
	Temperatura okoline je previsoka.	
Uređaj prestaje da radi. Indikacija greške: E + 3	Napon naizmjenične struje kojom se uređaj napaja je veći od 275 V.	Pređite na izvor struje odgovarajućeg napona.
Uređaj prestaje da radi. Indikacija greške: E + 4	Napon naizmjenične struje kojom se uređaj napaja je manji od 100 V.	Pređite na izvor struje odgovarajućeg napona.

Uređaj prestaje da radi. Indikacija greške: E → 5	Senzor temperature u uređaju ne radi.	Obratite se najbližoj prodavnici IKEA.
Uređaj prestaje da radi. Indikacija greške: E → 6		
Uređaj prestaje da radi. Indikacija greške: E → 0	Unutrašnji izuzetak	Isključite uređaj, pa ga ponovo uključite posle 5 minuta. Ako greška EO ne nestane, obratite se najbližoj prodavnici IKEA.

Šifra greške se prikazuje kada je ploča uključena i detektuje se greška, a slovo E i broj se prikazuju isprekidano (na 1 sekundu) i cirkulišu.

Ako postoji problem, probajte da ga rešite pomoću smernica za rešavanje problema. Ako problem ne može da se otkloni, obratite se najbližoj prodavnici IKEA.

ⓘ Ako ste nepravilno koristili uređaj, distributer će možda odbiti da ga zameni besplatno, čak i ako garancija nije istekla.

Tehnički podaci

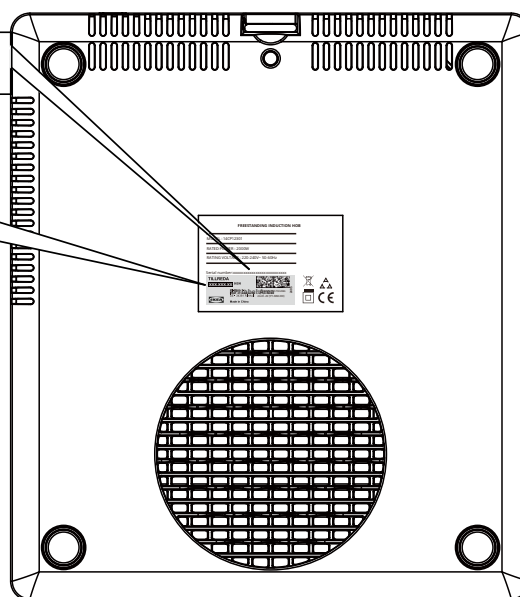
Model	14CP12301
Tip ploče	Samostojeća indukciona ploča
Broj grejnih zona i/ili područja	1
Nominalna snaga	2000 W
Nominalni napon	220–240 V~
Nominalna frekvencija	50–60 Hz
Dubina	305 mm
Širina	270 mm
Visina	62 mm
Neto težina	2,33 kg

Serijski broj (počinje sa SN, 22-cifreni kôd)

Serijski broj: xxxxxxxxxxxxxxxxxxxxxx

Broj artikla (8-cifreni kôd)

xxx.xxx.xx




Slika služi samo kao referenca

Energetska efikasnost

Identifikacije uređaja	14CP12301
Tip ploče	Prenosivi uređaj
Broj grejnih zona	1
Tehnologija zagrevanja	Indukcija
Prečnik kružnih grejnih zona (Ø)	170 mm
Potrošnja energije po grejnoj zoni (EC električna priprema)	184 Wh/kg
Potrošnja energije od strane ploče (EC električna ploča)	184 Wh/kg
Informacije o proizvodu u pogledu potrošnje struje i vremena dostizanja odgovarajućeg režima male potrošnje snage	režim isključenosti: 0,5 W
Maks. vreme potrebno dok se dostigne odgovarajući režim male potrošnje struje	5 sekundi
Direktiva 2009/125/EC, UREDBA KOMISIJE (EU) br. 66/2014, EN 60350-2:2018+A1:2021.	

Informacije u vezi sa zaštitom životne sredine


Odlaganje kućnih aparata

Znak  na proizvodu ili ambalaži označava da proizvod ne sme da se baci kao običan kućni otpad. Umesto toga, treba ga odneti na odgovarajuće prikupljalište za recikliranje električnih i elektronskih uređaja. Pravilno odlaganje ovog proizvoda doprinosi sprečavanju potencijalnih negativnih posledica po životnu sredinu i čovekovo zdravlje, koje bi mogle da nastanu usled nepravilnog manipulisanja ovim proizvodom u svojstvu otpada. Detaljnije informacije o recikliranju ovog proizvoda potražite u lokalnoj mesnoj kancelariji, službi za recikliranje kućnog otpada ili prodavnici u kojoj ste kupili proizvod.

⚠ UPOZORENJE! Uradite sledeće pre odlaganja ovog uređaja:

- Izvucite utikač strujnog kabla iz strujne utičnice.
- Isecite strujni kabl i bacite ga.

Odlaganje ambalaže

Ambalaža sa znakom  može da se reciklira. Ambalažu bacite u odgovarajući kontejner za reciklažu.

Štednja energije

- Kad god je to moguće, stavite poklopac na posudu.
- Stavite posudu na grejnu zonu pre nego što je uključite.
- Dno posude treba da bude što je deblje i što je ravnije moguće.

IKEA garancija

Koliko traje IKEA garancija?

Ova garancija važi 2 godine od prvobitnog datuma kupovine uređaja u prodavnici IKEA, osim ako nije drukčije naznačeno u nacionalnim propisima. Idite na IKEA.com da biste saznali šta važi za vašu zemlju. Kao dokaz kupovine treba priložiti originalni fiskalni isečak. Servis uređaja u garantnom roku neće produžiti trajanje garancije za uređaj.

Ko će obaviti servis?

Obratite se najbližoj prodavnici IKEA.

Šta ova garancija pokriva?

Ova garancija pokriva neispravnosti uređaja prouzrokovane lošom izradom ili greškama u materijalu počev od dana kupovine u prodavnici IKEA. Ova garancija važi samo za upotrebu u domaćinstvu. Izuzeci su navedeni u odeljku „Šta nije pokriveno ovom garancijom?“ U garantnom roku su pokriveni troškovi otklanjanja kvara, npr. popravke, delovi, rad i putni troškovi, pod uslovom da se uređaju može pristupiti radi popravke bez dodatnih rashoda. Zamenjeni delovi postaju svojina kompanije IKEA.

Šta će IKEA uraditi da reši problem?

IKEA će pregledati proizvod i odlučiti, po sopstvenom nahođenju, da li je pokriven ovom garancijom. Ako se utvrdi da garancija važi, IKEA će, po sopstvenom nahođenju, popraviti pokvareni uređaj ili ga zameniti istim ili ekvivalentnim.

Šta nije pokriveno ovom garancijom?

- Uobičajeno habanje.
- Šteta pričinjena namerno ili iz nehata, šteta pričinjena jer nisu uzeta u obzir uputstva za upotrebu, nepravilna ugradnja ili priključivanje na nedozvoljeni električni napon, šteta prouzrokovana hemijskom ili elektrohemijskom reakcijom, rđa, korozija ili šteta prouzrokovana vodom, uključujući, između ostalog, visok sadržaj kamenca u vodi, šteta prouzrokovana abnormalnim uslovima koji se pojavljuju u okruženju.
- Potrošni delovi, uključujući baterije i sijalice.

- Nefunkcionalni i dekorativni delovi koji ne utiču na uobičajeno korišćenje aparata, uključujući ogrebotine i moguće razlike u boji.
- Slučajna šteta pričinjena stranim predmetima ili supstancama, kao i čišćenje ili deblokiranje filtera, odvodnog sistema ili fioka za deterdžent.
- Šteta pričinjena sledećim delovima: staklokeramici, dodatnoj opremi, korpama za kuhinjsko posuđe i pribor za jelo, dovodnim i odvodnim cevima, zaptivkama, sijalicama i poklopcima lampica, displeju, dugmadi, kućištima i delovima kućišta. Osim u slučaju kada se može dokazati da su uzrok tih kvarova greške u proizvodnji.
- Popravke koje nije izvršio ovlašćeni serviser i/ili ugovorni partner ovlašćenog servisa ili kada nisu korišćeni originalni delovi.
- Popravke zbog lošeg postavljanja ili postavljanja koje nije izvršeno u skladu sa specifikacijama.
- Korišćenje aparata van domaćinstva, tj. profesionalna upotreba.
- Šteta pričinjena prilikom transporta. Ako klijent prevozi proizvod do svoje kuće ili na drugu adresu, IKEA ne snosi odgovornost za oštećenja nastala tokom transporta. Međutim, ako IKEA isporučuje proizvod na adresu kupca, tada će štetu koja se pričinji proizvodu u toku ove isporuke pokriti IKEA.
- Troškovi prvog postavljanja uređaja kompanije IKEA. Međutim, ako servis koji je imenovala kompanija IKEA ili njegov ovlašćeni partnerski servis popravi ili zameni uređaj u skladu sa ovom garancijom, imenovani servis ili njegov ovlašćeni partnerski servis će ponovo ugraditi popravljenu uređaj ili ugraditi zamenu, po potrebi.

Kako se primenjuju zakoni zemlje

Garancija kompanije IKEA vam daje konkretna zakonska prava, koja ispunjavaju ili premašuju sve lokalne zakonske obaveze. Međutim, ti uslovi ni na koji način ne ograničavaju prava potrošača predviđena lokalnim zakonima.

Područje važenja

Za uređaje koji su kupljeni u jednoj zemlji EU i koji su odneti u drugu zemlju, servis će se obezbediti u okviru garantnih uslova koji su uobičajeni u toj drugoj zemlji. Obaveza servisiranja pod garancijom postoji samo za uređaj kod kojeg su ispoštovani propisi i ugrađen je u skladu sa:

- tehničkim specifikacijama zemlje u kojoj je podnet zahtev za iskorišćenje garancije;
- uputstvom za montažu i bezbednosnim informacijama iz Uputstva za upotrebu.

NAKON KUPOVINE uređaja kompanije IKEA

Bez ustručavanja se obratite kompaniji IKEA ako treba da:

- podnesete zahtev za servisiranje u skladu sa ovom garancijom;
- da biste zatražili objašnjenje u vezi sa funkcijama uređaja kompanije IKEA.

Da bismo vam pomogli na najefikasniji način, pažljivo pročitajte uputstva za sklapanje i/ili korisnički priručnik pre nego što nas kontaktirate.

Kako da nam se obratite ako vam je potreban naš servis



Korisnička služba kompanije IKEA koja opslužuje kupce nakon kupovine njenih proizvoda će vam preko telefona pomoći oko rešavanja jednostavnijih problema sa uređajem koji su prisutni u trenutku poziva. Broj telefona lokalne prodavnice i radno vreme potražite u katalogu IKEA ili na veb-sajtu www.ikea.com.

Da biste brže bili usluženi, navedite IKEA broj artikla (8-cifrena šifra) naveden na nazivnoj pločici uređaja.

ČUVAJTE FISKALNI ISEČAK!

On je vaš dokaz o kupovini i bez njega garancija ne važi. Na računu se takođe nalazi IKEA naziv i broj artikla (8-cifrena šifra) za svaki od uređaja koje ste kupili.

Da li vam je potrebna dodatna pomoć?

Za sva dodatna pitanja koja nisu povezana sa servisiranjem uređaja, kontaktirajte pozivni centar najbliže prodavnice IKEA. Preporučujemo da pažljivo pročitate dokumentaciju uređaja pre nego što nas kontaktirate.

Vsebina

Varnostne informacije.....	335	Nega in čiščenje	343
Varnostna navodila.....	336	Odpravljanje napak	343
Opis izdelka	338	Tehnični podatki.....	344
Indikatorji.....	339	Energetska učinkovitost.....	345
Dnevna uporaba	340	Okoljevarstveni zadržki	345
Kuhalna miza.....	341	Garancija družbe IKEA.....	346
Nasveti za posodo.....	341		

Varnostne informacije

ⓘ Za svojo varnost in pravilno delovanje naprave pred nastavitvijo in uporabo skrbno preberite ta navodila. Navodila vedno hranite z napravo, tudi, če se preselite ali napravo prodate. Uporabnik mora biti vedno seznanjen s pravilnim delovanjem in varnostnimi navodili naprave.

Pravilna uporaba

- Med delovanjem naprave nikoli ne puščajte brez nadzora.
- Naprava je zasnovana izključno za domačo uporabo.
- Naprava je zasnovana izključno za notranjo uporabo.
- Naprave ne uporabljajte kot površino za odlaganje stvari ali kot delovno površino.
- Ne odlagajte ali hranite vnetljivih tekočin, visokovnetljivih materialov ali taljivih predmetov (npr. plastičnega filma, plastike, aluminija) na ali ob napravi.
- Previdno pri vključevanju električnih naprav v bližnje vtičnice. Ne dovolite, da kablji pridejo v stik ali se zataknejo pod napravo ali vroče kuhinjske posode.
- Da se izognete škodi in poškodbam, naprave ne popravljajte sami. Vedno se obrnite na najbližjo prodajalno IKEA.

Varnost otrok in ranljivih oseb

- Otroci, starejši od 8 let, osebe z zmanjšanimi telesnimi, senzoričnimi ali psihičnimi sposobnostmi ter osebe brez izkušenj in znanja lahko uporabljajo napravo le, če so pod nadzorom ali so dobili navodila o varni uporabi naprave in se zavedajo nevarnosti.

- Vso embalažo hranite zunaj dosega otrok. Obstaja tveganje zadušitve.
- Otroke držite stran od naprave, če ta deluje ali ne.
- Otroci pod 8 let naj ne hodijo v bližino naprave, če niso pod neprestanim nadzorom.
- Otroci naj se ne igrajo z napravo. Otroci naj ne čistijo ali vzdržujejo naprave, če niso pod nadzorom.

⚠ **OPOZORILO!** Aktivirajte varnostni zaklep ("child lock"), da preprečite, da bi majhni otroci in živali nenamerno vklopili napravo.

Splošna varnost

- Zagotovite, da so ventilacijske reže ohišja naprave in vgrajene strukture vedno čiste.
- Da bi preprečili poškodbo, se ne dotikajte plošče, če indikator preostale toplote še vedno gori.
- Da bi preprečili električni udar, med delovanjem v indukcijsko kuhališče ne vstavljajte nobenih predmetov.
- Da bi preprečili nevarnost zadušitve, napajalnega kabla ne ovijajte okrog vratu.
- Za čiščenje naprave ne uporabljajte parnega čistilnika.
- Na kuhalno ploščo ne odlagajte kovinskih predmetov, kot so noži, vilice, žlice ali pokrovke, saj lahko ti postanejo vroči.
- Po uporabi ploščo izključite s kontrolnimi tipkami, ne zanašajte se na detektor posode.
- Naprava ni namenjena upravljanju prek zunanjih časomerilcev ali z ločenim daljinskim upravljalnim sistemom.

- Pazite, da se ne dotikate grelnih elementov.
- Če je napajalni kabel poškodovan, ga mora zamenjati proizvajalec, pooblaščen servisni center ali podobno usposobljeno osebje, da se izognete nevarnosti. Prosimo, kontaktirajte najbližjo prodajalno IKEA.
- Aparat je namenjen za uporabo v gospodinjstvih in podobnih okoljih, kot so:
 - kuhinje za osebje v prodajalnah, pisarne in druga delovna okolja;
 - turistične kmetije;
 - stranke v hotelih, motelih in drugih bivalnih okoljih;
 - penzioni.

⚠ POZOR: vroča površina. Površine se med uporabo lahko segrejejo.

⚠ OPOZORILO! Če je na površini razpoka, napravo izključite, da se izognete električnemu udaru. Prosimo, kontaktirajte najbližjo prodajalno IKEA.

⚠ OPOZORILO! Med uporabo se naprava in dotični deli segrejejo.

⚠ OPOZORILO! Nenadzorovano kuhanje z maščobo in olji je lahko nevarno in lahko vodi do požara. NIKOLI ne poskušajte požara pogasiti z vodo, temveč najprej izključite napravo in nato ogenj pokrijte na primer s pokrovko ali požarno odejo.

Varnostna navodila

Namestitev

- Proizvajalec ne odgovarja za poškodbe ljudi in živali ali škodo lastnine, ki je posledica neupoštevanja naslednjih navodil.

⚠ UPOZORNENIE! Za nadaljevanje namestitve glejte Varnostna navodila.

⚠ OPOZORILO! Namestitveni postopek mora slediti zakonom, uredbam, direktivam in standardom (pravila in regulacije o električni varnosti, pravilno recikliranje v skladu z regulativami itd.), ki so v veljavi v državi uporabe!

- Izogibajte se nameščanju naprave blizu vrat in pod okna, saj je mogoče med odpiranjem okna ali vrat vroče kuhinjske lonce prevrniti s kuhalnika.
- Prepričajte se, da se kuhalnik med prevozom ni poškodoval. Poškodovane naprave ne priključujte.
- Ne nameščajte naprave, ki je bila poškodovana med prevozom.

- Kuhalnika ne povezujte s podaljški in ga ne nameščajte tako, da se kabel razteza čez delovne površine.
- Ne spreminjajte specifikacij in ne modificirajte izdelka. Tveganje poškodbe in škode na napravi.

⚠ OPOZORILO! Skrbno sledite navodilom za električne povezave.

Električne povezave

- Pred povezovanjem preverite, ali nominalna napetost naprave, ki je navedena na ploščici s tehničnimi navedbami, odgovarja napetosti vašega omrežja. Preverite tudi nazivno moč naprave in se prepričajte, da je električna napeljava v gospodinjstvu ustrezne velikosti, da ustreza nazivni moči naprave (glejte poglavje s tehničnimi podatki).
- Ploščica s tehničnimi navedbami je na spodnji strani kuhalnika.

⚠ OPOZORILO! Tveganje poškodbe zaradi udara električnega toka.

- Ohlapne in nepravilne povezave vtičnice z vtičem lahko vodijo do pregrevanja terminala.

Pred uporabo:

Pred uporabo, prosimo, preberite naslednja navodila.

- Prosimo, uporabite standardno električno vtičnico in jo redno preverjajte, da se izognete poškodbam.
- Naprave ne odpirajte sami ali neusposobljena oseba. Napravo sme popravljati samo servisni zastopnik ali podobno usposobljen tehnik.
- Prosimo, preverite napajalni kabel in vtič. Če je napajalni kabel ali vtič poškodovan, ne uporabljajte naprave. Vtiča ne izključujte s mokrimi rokami.
- Ne uporabljajte podaljškov, napravo priklopite neposredno v stensko vtičnico.
- Če naprava dlje časa ni bila v uporabi, napravo najprej za 10 minut vklopite, da stabilizirate elektronsko komponento. Nato jo lahko začnete uporabljati.
- Naprave ne uporabljajte v bližini vode, ognja ali vlažnega območja. Naprava je namenjena SAMO za gospodinjsko uporabo v notranjih prostorih.
- Pred prvo uporabo naprave odstranite vso embalažo, nalepke in zaščitne plasti.
- Po vsaki uporabi s kontrolnimi tipkami izključite vse kuhalne cone, ne zanašajte se na detektor posode.
- Tveganje opeklin! Na kuhalno površino ne odlagajte kovinskih predmetov, kot so noži, vilice, žlice ali pokrovke, saj se lahko segrejejo.

⚠ OPOZORILO! Nevarnost požara!
Pregreta maščobna olja se lahko zelo hitro vnamejo.

⚠ OPOZORILO! Uporabniki z vsajenimi spodbujevalniki srca naj skrbijo, da je njihov zgornji del telesa vedno vsaj 30 cm stran od prižganih kuhalnih nerazumljivo ter okorno plošč.

⚠ OPOZORILO! Z napravo ne upravljajte z mokrimi rokami in skrbite, da je plošča s kontrolnimi tipkami vedno suha. Voda na plošči s kontrolnimi tipkami lahko povzroči, da te ne bodo več delovale.

⚠ OPOZORILO! Če je površina počena, izključite napravo, da se izognete morebitnemu električnemu udaru.

Med uporabo in po njej:

Prosimo, sledite nadaljnjim navodilom, da se izognete vžigu in nesrečam.

- Napravo postavite SAMO na ravno in trdno površino.
- Otroci morajo biti pod nadzorom, da se ne bi igrali z napravo.
- Med delovanjem naprave ne postavljajte naslednjih predmetov na ploščo.
 - a) Nerjaveče jeklo
 - b) Železo
 - c) Lito železo
 - d) Aluminij
 - e) Pokrovka in emajl
 - f) Nož, vilica ali žlica
 - g) Krožnik, izdelan iz železa, nerjavečega jekla, litega železa ali aluminija
 - h) Prazna posoda za kuhanje
- Naprave ne prenašajte ali prestavljajte, ko je na njej posoda med gretjem.
- Prosimo, med delovanjem poskrbite za primerno ventilacijo v okolici naprave.
- Ne vstavljajte žic ali kovinskih predmetov v reže za vhod ali izhod zraka na napravi.
- Kako skrbeti za ploščo.
 - a) Na ploščo ne spuščajte nobenih težkih predmetov.
 - b) Po plošči ne polivajte vode, kisline ali drugih tekočin.
 - c) Na plošči ničesar ne zažigajte z ognjem.
 - d) Kadar naprava ni v uporabi, nanjo ne postavljajte vroče posode.
 - e) Če je površina (plošča) počena, takoj izklopite napravo, da preprečite električni udar, in jo vrnite v najbližjo prodajalno IKEA.
 - f) Nekatere posode lahko med uporabo povzročajo hrup. Prosimo, rahlo premaknite posodo, in hrup se bo zmanjšal ali bo izginil. Če ne, prosimo, zamenjajte posodo.

- Naprave med delovanjem ne postavljajte na preprogo, blago ali papir.
- Ne dotikajte se plošče, dokler je vroča. Plošča je še vedno vroča, dokler indikator preostale toplote ne izgine, tudi če izključite napajanje.
- Naprave ne odklopite z vlečenjem kabla.
- Preden napravo odklopite z napajanja, jo izklopite in počakajte, da se ohladi. Če naprave dlje časa ne boste uporabljali, odklopite napajalni kabel.
- Po uporabi posode ne odlagajte na napravo.
- Steklena keramika se lahko tudi poškoduje, če pade na tla.
- Da bi se izognili poškodbam na posodi ali steklokeramiki, pazite, da hrana v ponvah in loncih ne povre do konca.
- Ne uporabljajte kuhalnih plošč s prazno posodo ali brez nje.
- Nikoli ne obvijajte nobenega dela naprave z aluminijasto folijo. Na ali v napravo nikoli ne odlagajte plastike ali kateregakoli drugega materiala, ki bi se lahko stopil.

⚠ OPOZORILO! Napravo pustite vključeno v omrežje, dokler se ventilator in indikator toplote ne ugasneta.

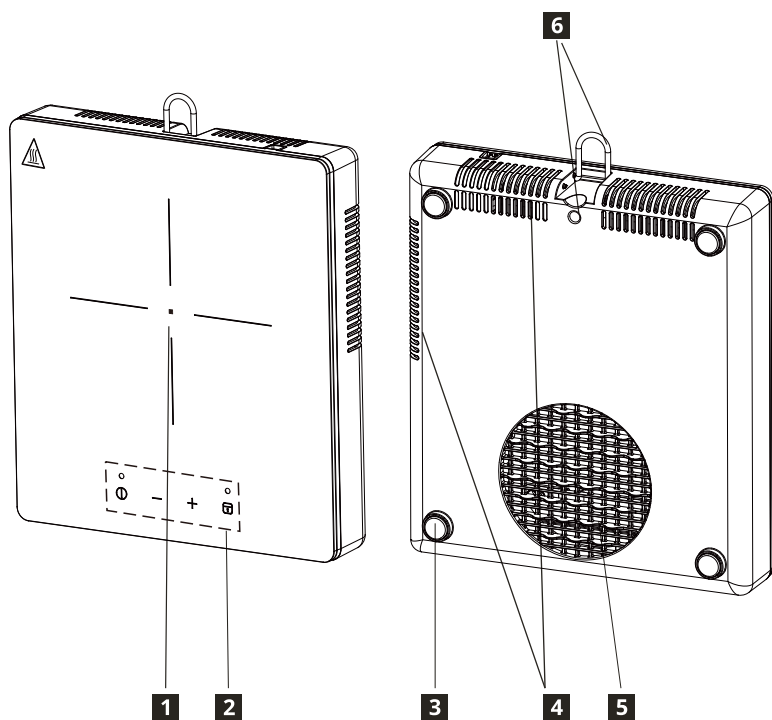
Kako se izogniti škodi na napravi

- Steklena keramika se lahko poškoduje, če nanjo padejo predmeti ali če jo premočno udarite s posodo za kuhanje.
- Posoda, izdelana iz litega železa, litega aluminija ali s poškodovanim dnom lahko poškoduje ploščo, če jo premikate po njej.

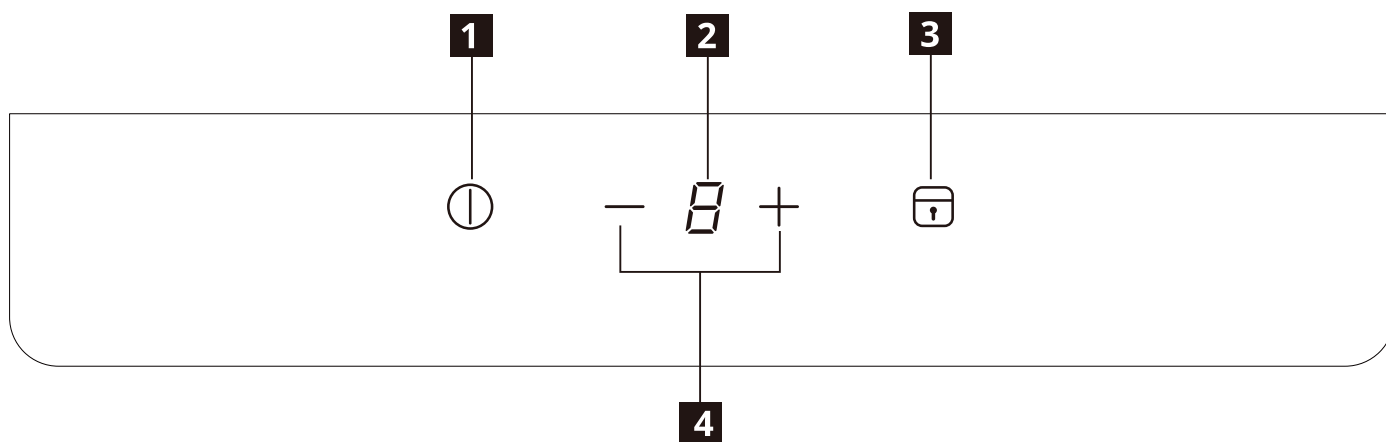
Podatki o akrilamidih

Pomembno! Po najnovejših znanstvenih podatkih lahko preveč zapečena hrana, predvsem tista, ki vsebuje škrob, pomeni tveganje za zdravje zaradi akrilamidov. Zato priporočamo kuhanje na najnižjih možnih temperaturah in ne preveč zapečeno hrano.

Opis izdelka



- 1** Območje segrevanja
Kuhališče 170 mm, 2000 W
- 2** Nadzorna plošča
- 3** Silikonske nožice
- 4** Izhodna odprtina za zrak
- 5** Vhodna odprtina za zrak
- 6** Kljukast obešalnik



Postavitev nadzorne plošče

- 1** Vkllop/Izklop
- 2** Prikaz ravni moči
- 3** Zaklep/varnostni zaklep
- 4** Nastavitev ravni moči -/+

Senzorna polja na dotik in prikazna okna.

Kuhalno ploščo upravljate z dotikom senzornih polj. Prikaz in akustični signal (kratek pisk) potrjuje izbor funkcije.

Raven moči	1	2	3	4	5	6	7	8	9
Moč	150 W	250 W	300 W	450 W	600 W	800 W	1100 W	1500 W	2000 W

Indikatorji

U Posoda je nepravilno postavljena ali manjka

Ta simbol se prikaže, če posoda ni primerna za indukcijske plošče, ni pravilno postavljena ali ni primerne velikosti za izbrano kuhhalno ploščo. Če v 30 sekundah po izbiri posoda ni zaznana, se kuhališče izklopi.

prikaz izklopi.

⚠ OPOZORILO! Tveganje opeklin zaradi preostale toplote! Potem ko ste izklopili napravo, kuhališča potrebujejo nekaj časa, da se ohladijo. Glejte indikator preostale toplote **H**.

H Preostala toplota

Če je prikazan simbol "H", je kuhhalna ploščo še vedno vroča. Ko se kuhališče ohladi, se

Preostalo toploto uporabite za odtajanje živil ali ohranjanje toplote hrane. Naprave ne izključujte, preden **H** ne izgine z zaslona.

Dnevna uporaba



Priključitev v vtičnico

1. Potem ko ste vtič priključili v električno napajanje, se bo aktiviralo zaklepanje. Pritisnite in držite Ključavnico za 3 sekunde.

Vklop/Izklop

1. Pritisnite tipko VKLOP/IZKLOP, na zaslonu se bo prikazalo "0" kot način V pripravljenosti, zasvetila bo lučka indikatorja napajanja. Če v 30 sekundah ni izbrana nobena nastavitev toplote, se kuhalnik samodejno izklopi brez pritiska tipke VKLOP/IZKLOP.
2. Če med delovanjem pritisnete tipko VKLOP/IZKLOP, se bo kuhalna plošča izklopila.



Nastavitev ravni moči

1. Pritisnite — ali + za upravljanje ravni moči med delovanjem.
2. Pritisnite —, stopnja moči bo prešla naravnost na "9". Pritiskajte — za zmanjševanje ravni moči z "9" na "1".
3. Če pritisnete +, se bo raven moči začela zviševati od vrednosti "1". Pritiskajte + za povečevanje moči z "1" na "9".



Funkcija zaklepa

Ko kuhalna plošča deluje, lahko zaklenete nadzorno ploščo, na primer za to, da očistite kuhalnik. Ta funkcija preprečuje nenamerno spremembo nastavitve ravni moči. Kuhalno ploščo lahko še vedno izklopite s tipko za Vklop/Izklop.

Aktiviranje zaklepa

1. Nastavite želeno raven moči.
2. Pritisnite tipko za zaklep za 3 sekunde. Funkcija je aktivirana, ko indikator tipke za zaklep sveti in se sliši zvok.

Deaktiviranje zaklepa

1. Pritisnite tipko za zaklep za 3 sekunde. Funkcija je deaktivirana, ko se indikator tipke za zaklep izklopi in se sliši zvok.
2. Raven moči se vrne na prejšnjo nastavitev.

Funkcija varnostnega zaklepa

Če kuhalna plošča ne deluje, lahko nadzorno ploščo pustite zaklenjeno. Funkcija preprečuje nehoteno vključitev naprave.

Aktiviranje varnostnega zaklepa

1. Napravo vključite s tipko VKLOP/IZKLOP. Ne nastavite nobene stopnje moči.
2. Pritisnite tipko za zaklep za 3 sekunde. Funkcija je aktivirana, ko indikator tipke za zaklep sveti in se sliši zvok.
3. Deaktivirajte funkcijo s pritiskom na tipko VKLOP/IZKLOP.

Deaktiviranje varnostnega zaklepa

1. Pritisnite tipko za zaklep za 3 sekunde. Funkcija je deaktivirana, ko se indikator tipke za zaklep izklopi in se sliši zvok.

Samodejni izklop

Funkcija samodejno izklopi kuhalno ploščo, če:

- so izklopljene vse kuhalne plošče.
- Če ne nastavite ravni moči v 30 sekundah po vklopu kuhalnika.
- Če ne izklopite kuhalne plošče ali ne spremenite ravni moči po 2 urah ali če pride do pregrevanja (npr. ko hrana v posodi povre do konca).

Kuhalna miza


Nastavitev toplote	Uporaba:	Čas (min)	Namigi
1	• Kuhano hrano hranite toplo.	po potrebi	Posodo pokrijte s pokrovom.
1-2	• Holandska omaka, stopljena: maslo, čokolada, želatina.	5-25	Občasno premešajte.
2-3	• Kuhajte jedi na osnovi riža in mleka, segrejte pripravljene jedi.	25-50	Dodajte vsaj dvakrat več tekočine kot riža, polovici postopka primešajte mlečne jedi.
4-5	• Zelenjavo, ribe, meso, krompir kuhajte na pari.	20-45	Dodajte majhno količino vode.
	• Kuhajte večje količine hrane in enolončnice.	60-150	Dodajte majhno količino vode.
5-6	• Nežno cvrtje: telečji cordon bleu, zrezki, rižote, klobase, prežganje, jajca.	po potrebi	Obrnite na polovico.
7-8	• Krompirjevi polpeti, zrezki.	5-15	Obrnite na polovico.
9	• Zavrite vodo, kuhajte testenine, specite meso (golaž, pečenka), ocvrt krompirček.		

Nasveti za posodo

Katero posodo uporabiti

Uporabljajte samo lonce in posode, pri katerih je dno izdelano iz feromagnetnega materiala in so primerne za uporabo na indukcijskih kuhalnih ploščah:

- Lito železo
- emajlirano jeklo
- ogljikovo jeklo
- nerjaveče jeklo (vendar ne vso)
- aluminij s feromagnetnim premazom ali feromagnetno ploščo

Da ugotovite, če je lonec ali posoda primerna, preverite, ali je na njej simbol  (običajno je odtisnjen na dnu). Prav tako lahko tudi držite magnet ob dnu posode. Če se prilepi na dno, je posoda primerna za indukcijsko kuhhalno ploščo.

Da zagotovite optimalno učinkovitost, vedno uporabljajte lonce in posode z ravnim dnom, pri katerih se toplota enakomerno porazdeli. Če dno ni ravno, bo to vplivalo na moč in prevajanje toplote.

Uporaba

Minimalni premer dna lonca/posode za različne kuhalne površine

Da bi zagotovili pravilno delovanje kuhalne plošče, mora lonec prekrivati eno ali več referenčnih točk, označenih na površini kuhalne plošče, in mora imeti ustrezen minimalni premer.

Vedno uporabite kuhališče, ki najbolj ustreza premeru dna posode.

Kuhališče	Priporočeni premer posode [mm]
Srednje zadnje kuhališče	120-180

Prazni lonci/ponve ali takšni s tankim dnom

Na kuhalniku ne uporabljajte praznih loncev/ponev ali takšnih s tankim dnom, saj kuhalnik ne bo mogel spremljati temperature ali se samodejno izklopiti v primeru previsoke temperature, kar bi povzročilo poškodovanje ponve ali površine kuhalnika. Če se to zgodi, se ne dotikajte ničesar in počakajte, da se vse komponente ohladijo.

Če se prikaže sporočilo o napaki, glejte poglavje "Odpravljanje napak".

Namigi/nasveti**Hrup med kuhanjem**

Ko je kuhališče aktivno, lahko za kratek čas brni. To je lastnost vseh steklokeramičnih kuhalnih plošč in ne vpliva na delovanje ali življenjsko dobo naprave. Hrup je odvisen od uporabljene posode. Če vam to povzroča večje preglavice, lahko razmislite o menjavi posode.

Normalni hrup delovanja indukcijske kahalne plošče

Indukcijska tehnologija temelji na ustvarjanju elektromagnetnih polj za ustvarjanje toplote neposredno na dnu posode. Lonec in ponve lahko povzročajo različne zvoke ali vibracije, odvisno od načina njihove izdelave.

Ti zvoki so opisani na naslednji način:

Nizko brnenje (kot transformator)

Ta zvok nastane pri kuhanju pri visoki temperaturi. Temelji na količini energije, ki se prenese s kahalne plošče na posodo.

Hrup preneha ali se utiša, ko se raven toplote zmanjša.

Tiho piskanje

Ta zvok nastane, ko je kahalna posoda prazna. Preneha, ko v posodo vstavite tekočino ali hrano.

Prasketanje

Ta hrup se pojavi pri posodi, izdelani iz različnih materialov, ki so postavljene drug na drugega. To povzročajo vibracije površin, kjer se stikajo različni materiali. Hrup se pojavi na posodi in se lahko razlikuje glede na količino hrane ali tekočine ter način kuhanja (npr. kuhanje, dušenje, cvrtje).

Glasno žvižganje

Ta hrup se pojavi pri posodi, izdelani iz različnih materialov, postavljeni eden na drugega, ko se uporablja na največji moči in tudi na dveh kahalnih ploščah hkrati. Hrup preneha ali se utiša, ko se raven toplote zmanjša.

Ti zvoki so običajni zvoki ventilatorja

Za pravilno delovanje elektronskega sistema je potrebno regulirati temperaturo kahalne plošče. Za ta namen je kahalna plošča opremljena s hladilnim ventilatorjem, ki se aktivira za zmanjšanje in uravnavanje temperature elektronskega sistema. Ventilator lahko še naprej deluje tudi po izklopu aparata, če je zaznana temperatura kahalne plošče še vedno previsoka po izklopu.

Ritmični zvoki, podobni zvoku tiktakajoče ure

Ta hrup se pojavi le, ko delujejo vsaj tri kahalne plošče in izginejo ali oslabijo, ko so nekatera od njih izklopljena.

Opisani hrup je običajen element indukcijske tehnologije in se ne sme obravnavati kot napaka.

Nega in čiščenje

⚠ OPOZORILO! Preden napravo izključite, jo izklopite in počakajte, da se ohladi.

⚠ OPOZORILO! Pred čiščenjem napravo izklopite in počakajte, da se ohladi.

⚠ OPOZORILO! Iz varnostnih razlogov naprave ne čistite s parniki in visokotlačnimi čistilniki.

⚠ OPOZORILO! Ostri predmeti in abrazivna sredstva bodo poškodovala napravo. Po vsaki uporabi napravo očistite in ostanke odstranite z vodo in tekočim milom. Ravno tako odstranite ostanke čistilnih sredstev!

ⓘ Praske in temni madeži na steklokeramiki, ki jih ni mogoče odstraniti, ne vplivajo na njeno delovanje.

Odstranjevanje ostankov in trdovratni ostanki:

- Hrano, ki vsebuje sladkor, plastiko, ostanke pločevink je treba odstraniti nemudoma, najboljše orodje za čiščenje steklenih površin je strgalo (ni priložen napravi). Položite strgalo na steklokeramično površino pod kotom in odstranite ostanek tako, da z njim podrgnete po površini. Napravo obrišite z vlažno krpo in malo tekočega mila. Končno zdrgnite napravo s čisto krpo.
- Ostanke vodnega kamna, vode, maščobe, svetleča kovinska razbarvanja morajo biti odstranjena s čistilom za steklokeramiko ali nerjaveče jeklo, potem ko se je naprava ohladila.

Odpravljanje napak

Težava	Možen vzrok	Rešitev
Naprava ne deluje.	V vašem domu je prišlo do izpada električne energije ali kratkega stika.	
	Vtič ni pravilno priključen v električno omrežje.	Preverite, da je vaša kuhalna plošča pravilno vključena v električno napajanje.
	Od takrat, ko je bila naprava vključena, je minilo že več kot 10 sekund.	Znova vključite napravo.
	Vklopljen je varnostni zaklep.	Deaktivirajte varnostni zaklep. (Glejte poglavje »Funkcija za varovanje otrok«).
	Hkrati je bilo pritisnjenih več senzornih polj.	Pritisnite le na eno senzorno polje.
Naprava preneha delovati. Indikacija napake: U - U	Posoda ni primerna za indukcijo.	Zamenjajte za posodo, primerno za indukcijsko kuhhalno ploščo.
	Na kuhališču ni posode ali pa je premer posode manjši od 120 mm.	Položite posodo na kuhališče.
Naprava preneha delovati. Indikacija napake: E - E	Posoda je prazna (tekočina je izvrela) oziroma je kuhhalna temperatura previsoka.	Izklopite napravo in jo znova vklopite čez 5 minut. Če napaka E2 ni odpravljena, se obrnite na najbližjo prodajalno IKEA.
	Reže za vhod in izhod zraka so zablokirane.	
	Temperatura okolice je previsoka.	
Naprava preneha delovati. Indikacija napake: E - E	Napajanje je večje kot AC 275 V.	Zamenjajte za napajanje, primerno izdelku.
Naprava preneha delovati. Indikacija napake: E - U	Napajanje je manjše kot AC 100 V.	Zamenjajte za napajanje, primerno izdelku.

Naprava preneha delovati. Indikacija napake: E - 5	Senzor temperature v napravi ne deluje.	Prosimo, kontaktirajte najbližjo prodajalno IKEA.
Naprava preneha delovati. Indikacija napake: E - 6		
Naprava preneha delovati. Indikacija napake: E - 0	Notranja napaka	Izklopite napravo in jo znova vklopite čez 5 minut. Če napaka EO ni odpravljena, se obrnite na najbližjo prodajalno IKEA.

Koda napake se prikaže, ko je kuhalnik vklopljen in je zaznana napaka, simbol E in številke so prikazani v presledkih (1 sekunda) in krožno.

Če se pojavi napaka, jo poskusite odpraviti z upoštevanjem smernic za odpravljanje napak. Če težave ni mogoče opraviti, se obrnite na najbližjo prodajalno IKEA.

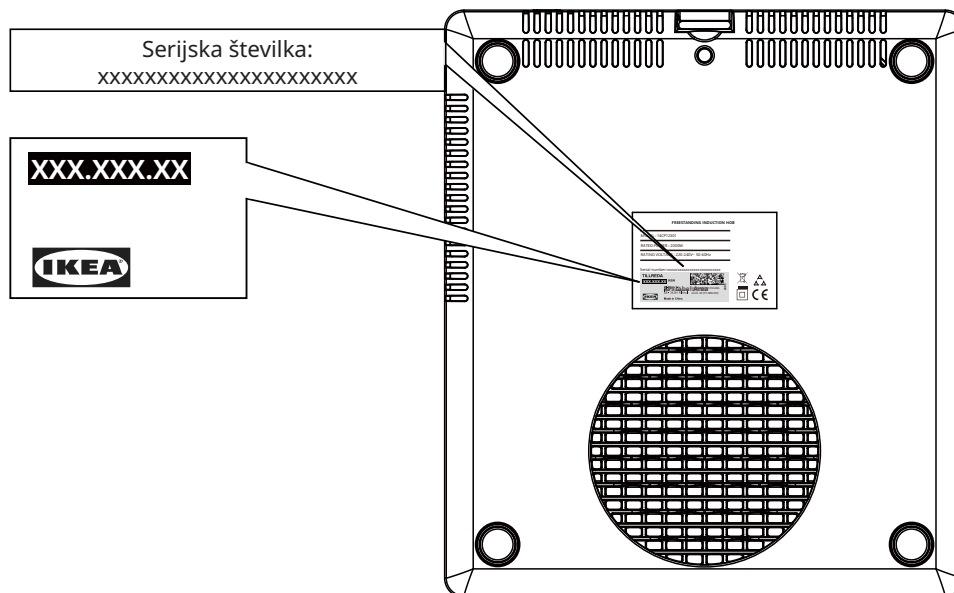
i Če ste z napravo nepravilno upravljali, vam prodajalec lahko popravila ne zagotovi brezplačno, tudi če garancija še velja.

Tehnični podatki

Model	14CP12301
Tip kuhalne plošče	Prostostoječa indukcijska kuhalna plošča
Število kuhališč in/ali površin	1
Nazivna moč	2000 W
Nazivna napetost	220-240 V~
Nazivna frekvenca	50-60 Hz
Globina	305 mm
Širina	270 mm
Višina	62 mm
Neto teža	2,33 kg

Serijska številka (začne se s SN, 22-mestna koda)

Številka artikla (8-mestna koda)




Slika je zgolj informativna

Energetska učinkovitost

Identifikacija modela	14CP12301
Tip kuhalne plošče	Prenosna naprava
Število kuhališč	1
Ogrevalna tehnologija	Indukcija
Premer okroglih kuhališč (Ø)	170 mm
Poraba energije na kuhališče (kuhanje na električno energijo ES)	184 Wh/kg
Poraba energije kuhalne plošče (električna kuhalna plošča ES)	184 Wh/kg
Podatki o izdelku za porabo energije in čas za doseganje veljavnega načina nizke porabe	način izklopa: 0,5 W
Najdaljši čas, potreben za doseganje veljavnega načina nizke porabe	5 sekund
Direktiva 2009/125/ES, REGULACIJA KOMISIJE (EU), št. 66/2014, EN 60350-2:2018+A1:2021.	

Okoljevarstveni zadržki

Odstranjevanje gospodinjskih naprav

Simbol  na embalaži naprave označuje, da tega izdelka ne smete obravnavati kot gospodinjski odpadki. Namesto tega ga odnesite na primerno zbirno mesto za recikliranje električnih in elektronskih naprav. S tem ko ta izdelek pravilno odvržete, boste pomagali preprečiti morebitne negativne posledice za okolje in zdravje ljudi, do katerih bi lahko prišlo v primeru neustreznega odlaganja tega izdelka. Za podrobnejše informacije o recikliranju tega izdelka kontaktirajte lokalne oblasti, vaš zbirni reciklažni center ali trgovino, kjer ste ta izdelek kupili.

⚠ OPOZORILO! Za odstranjevanje aparata sledite naslednjim korakom:

- Izvlecite vtič iz električnega omrežja.
- Odrežite napajalni kabel in ga odvrzite.

Odstranjevanje embalažnega materiala

Materiale s simbolom  reciklirajte. Embalažo odložite v primeren zbirni zabojnik in ga reciklirajte.

Prihranek energije

- Če je mogoče, posode vedno pokrijte s pokrovko.
- Preden prižgete kuhalno ploščo, nanjo položite posodo.
- Dno posode naj bo debelo in ravno, kolikor je le mogoče.

Garancija družbe IKEA

Kako dolgo velja garancija družbe IKEA?

Ta garancija velja 2 leti od prvotnega datuma nakupa vaše naprave v IKEA, razen če je v nacionalni zakonodaji določeno drugače. Pojdite na IKEA.com, če želite izvedeti, kaj velja za vašo državo.

Originalen račun je zahtevan kot dokaz o nakupu. Če so bila v garancijskem obdobju izvedena servisna dela naprave, se garancijsko obdobje za napravo ne podaljša.

Kdo bo servisiral napravo?

Kontaktirajte najbližjo prodajalno IKEA.

Kaj krije ta garancija?

Garancija krije napake naprave, ki so nastale zaradi napake v konstrukciji ali materialu od datuma nakupa pri družbi IKEA.

Ta garancija velja samo za domačo uporabo. Izjeme so navedene pod naslovom »Kaj ni zajeto v tej garanciji?« V garancijskem roku so stroški odprave napak npr. popravila, deli, delo in potovanja, kriti, če je naprava dostopna za popravilo brez posebnih stroškov. Zamenjani deli postanejo last podjetja IKEA.

Kaj bo IKEA storila za odpravo težave?

IKEA bo izdelek preučila in se po lastni presoji odločila, ali je zajet v tej garanciji. Če se smatra, da sodi v garancijo, potem bo IKEA po lastni presoji ali okvarjeni izdelek popravila ali ga zamenjala z enakim ali primerljivim izdelkom.

Kaj ni zajeto v tej garanciji?

- Normalne obrabe.
- Namenske ali malomarne škode, škode, povzročene zaradi neupoštevanja navodil za uporabo, nepravilne namestitve ali povezave na nepravilno napetost, škode, povzročene zaradi kemične ali elektrokemične reakcije, rje, korozije, ali škode zaradi vode, vključno z, a ne omejeno na škodo, povzročeno zaradi prevelike količine vodnega kamna v vodi, in škode, nastale zaradi abnormalnih razmer delovanja.
- Potrošnih delov, vključno z baterijami in žarnicami.

- Nefunkcionalnih in dekorativnih delov, ki ne vplivajo na normalno rabo naprave, vključno s praskami in možnimi spremembami barv.
- Naključne škode, povzročene s tujimi predmeti ali snovmi ali čiščenjem oziroma čiščenjem filtrov, sistemov za odvajanje ali predalov z mili.
- Škode na naslednjih delih: keramičnem steklu, dodatkih, lončenini in košaricam za pribor, ceveh za dovajanje in odvajanje, tesnilih, lučeh in pokrovih za luči, zaslonih, gumbih, ohišjih in delih ohišij. Razen če se dokaže, da je bila ta škoda povzročena zaradi napak v proizvodnji.
- Popravlil, ki jih ne izvedejo serviserji, ki jih določimo mi, in/ali pooblaščen servisni pogodbeni partner, ali če so bili uporabljeni neoriginalni deli.
- Popravlil, ki so potrebna zaradi nepravilne namestitve, ki ne upošteva specifikacij.
- Uporabe naprave v nedomačem okolju, npr. profesionalna uporaba.
- Škode pri prevozu. Če kupec prevaža napravo domov ali na drug naslov, družba IKEA ne odgovarja za škodo, ki bi lahko pri tem nastala. Vendar, če družba IKEA dostavi izdelek na naslov za dostavo stranke, bo družba IKEA krila škodo na izdelku, ki nastane med to dostavo.
- Stroška za izvedbo prve namestitve naprave podjetja IKEA. Če pa ponudnik storitev, ki ga imenuje IKEA, ali njegov pooblaščen servisni partner popravi ali zamenja napravo v skladu s pogoji te garancije, bo pooblaščen ponudnik storitev ali njegov pooblaščen servisni partner ponovno namestil popravljeno napravo ali po potrebi namestil nadomestno napravo.

Veljavnost državne zakonodaje

Garancija družbe IKEA vam daje posebne zakonske pravice, ki zajemajo ali presegaajo vse lokalne pravne zahteve. Vendar pa ti pogoji v nobenem smislu ne omejujejo potrošnikovih pravic, opisanih v lokalni zakonodaji.

Območje veljavnosti

Za naprave, ki so kupljene v eni od držav EU in odpeljane v drugo državo EU, bodo storitve na voljo v okviru garancijskih pogojev, ki so običajni v novi državi. Obveznosti izvajanja storitev v okviru garancije obstaja le, če je naprava skladna in nameščena v skladu z:

- tehničnimi specifikacijami države, v kateri je vložen garancijski zahtevek;
- Navodili za sestavljanje in varnostnimi navodili priročnika za uporabo.

Storitev PO NAKUPU za naprave IKEA

Prosimo, ne oklevajte in kontaktirajte IKEA, če

- želite podati zahtevek za servis v okviru te garancije;
- če želite pojasnitev funkcij aparatov IKEA.

Da vam lahko ponudimo najboljšo pomoč, prosimo, pazorno preberite Navodila za sestavljanje in/ali Priročnik za uporabo, preden stopite v stik z nami.

Kako stopiti v stik z nami, če potrebujete naše storitve



Servisna služba za po nakupu IKEA vam bo pomagala prek telefona pri osnovnem reševanju težav z vašo napravo, v času, ko boste opravili klic. Prosimo, glejte katalog IKEA ali obiščite spletno stran www.ikea.com ter poiščite telefonsko številko in odpiralni čas vaše lokalne prodajalne.

Da bi vam lahko hitreje pomagali, prosimo, najprej navedite številko artikla IKEA (8 števk), ki je navedena na ploščici za tehnične navedbe na vaši napravi.

SHRANITE RAČUN!

To je vaše dokazilo o nakupu, ki je potrebno za uveljavljanje garancije. Na računu je tudi ime in številka artikla IKEA (8 števk) za vsak izdelek, ki ste ga kupili.

Potrebujete dodatno pomoč?

Za vsa dodatna vprašanja, ki niso povezana s storitvijo Po nakupu, prosimo, kontaktirajte telefonski center najbližje prodajalne IKEA. Priporočamo, da preden nas kontaktirate, pazorno preberete vso dokumentacijo naprave.

İçindekiler

Güvenlik bilgileri	348	Bakım ve temizlik	356
Güvenlik talimatı	349	Sorun Giderme	356
Ürün açıklaması	351	Teknik veriler	357
Göstergeler	352	Enerji verimliliği	358
Günlük kullanım	353	Çevre ile ilgili konular	358
Pişirme tablosu	354	IKEA Garantisi	359
Tencere kılavuzu	354		

Güvenlik bilgileri

- ⓘ Güvenliğiniz ve cihazın doğru çalışması için kurulum ve kullanım öncesinde bu kılavuzu dikkatli bir şekilde okuyunuz. Cihazı taşısanız veya satsanız bile bu talimatları daima cihazla birlikte tutunuz. Kullanıcılar cihazın çalışma ve güvenlik özelliklerini tam olarak bilmelidir.

Doğru kullanım

- Cihazı çalışırken gözetimsiz bırakmayınız.
- Cihaz özellikle evsel kullanım için tasarlanmıştır.
- Cihaz özellikle kapalı alanda kullanım için tasarlanmıştır.
- Cihaz, çalışma yüzeyi ya da saklama alanı olarak kullanılmamalıdır.
- Cihazın içine veya yakınına yanıcı sıvılar, yüksek tutuşurluğa sahip maddeler veya eriyebilir nesnelere (örneğin plastik film, plastik, alüminyum) koymayınız veya bu maddeleri cihazın yakınında saklamayınız.
- Yakın prizlere elektrikli aletler bağlarken dikkatli olunuz. Bağlantı kablolarının cihazın veya sıcak tencerenin altına temas etmesine veya altında kalmasına izin vermeyiniz.
- Yaralanmayı ve cihazın zarar görmesini önlemek için cihazı kendiniz onarmayınız. Her zaman size en yakın IKEA mağazası ile irtibata geçiniz.

Çocukların ve korunmasız kişilerin güvenliği

- Bu cihaz, gözetim altında oldukları veya cihazın güvenli kullanımı konusunda gerekli talimatların verildiği ve meydana gelebilecek tehlikeleri anladıkları sürece, 8 yaşından büyük çocuklarca ve fiziksel,

duyusal veya zihinsel yetenekleri sınırlı veya tecrübe ve bilgi eksikliği olan kişiler tarafından kullanılabilir.

- Tüm ambalajları çocuklardan uzak tutunuz. Boğulma tehlikesi vardır.
- Cihaz çalışırken kullanmıyor dahi olsanız çocukları cihazdan uzak tutunuz.
- 8 yaşın altındaki çocuklar sürekli olarak gözetilmediği takdirde cihazdan uzak tutulmalıdır.
- Çocuklar cihazla oynamamalıdır. Temizlik ve bakım işlemleri gözetim altında olmayan çocuklar tarafından yapılmamalıdır.

⚠ **UYARI!** Küçük çocukların ve evcil hayvanların istemeden cihazı açmasını önlemek için çocuk kilidini etkinleştiriniz.

Genel Emniyet Talimatları

- Havalandırma açıklıklarını, cihaz kasasının içini veya yerleşik yapının içini engellerden arındırınız.
- Yaralanmaları önlemek için kalan ısı göstergesi hala yanarken panele dokunmayınız.
- Elektrik çarpmasını önlemek için çalışma sırasında indüksiyonlu ocağın içine herhangi bir nesne sokmayınız.
- Boğulma tehlikesini önlemek için kabloyu boyun etrafına sarmayınız.
- Cihazın temizlenmesinde buharlı temizleyici kullanılmaz.
- Isınabilecekleri için ocağın üzerine bıçak, çatal, kaşık ve kapak gibi metal nesnelere koyulmamalıdır.
- Kullanımın ardından düğmesinden ocağı kapatın, tava dedektörüne güvenmeyin.

- Bu cihaz harici bir zamanlayıcı veya ayrı bir uzaktan kumanda sistemi aracılığıyla çalıştırılmak üzere tasarlanmamıştır.
- Isınan parçalara dokunmaktan kaçınmaya dikkat edilmelidir.
- Elektrik kablosu hasar görmüşse herhangi bir tehlikeden kaçınmak için üretici, Yetkili Servis Merkezi veya benzer nitelikli kişiler tarafından değiştirilmelidir. Lütfen en yakın IKEA mağazası ile irtibata geçiniz.
- Bu cihaz, evde ve aşağıdakilere benzer uygulamalarda kullanılmak üzere tasarlanmıştır:
 - mağazalarda, ofislerde ve diğer çalışma ortamlarında bulunan personel mutfak alanları;
 - çiftlikler;
 - otel, motel ve diğer mesken türlerindeki müşteriler muhitler;
 - oda ve kahvaltı hizmeti sunan ortamlar.

⚠ DİKKAT: Sıcak yüzey. Kullanım sırasında yüzeyler ısınabilir.

⚠ UYARI! Eğer yüzey çatlırsa elektrik çarpma ihtimalinden kaçınmak için aleti kapatın. Lütfen en yakın IKEA mağazası ile irtibata geçiniz.

⚠ UYARI! Cihaz ve erişilebilir parçaları kullanım esnasında ısınır.

⚠ UYARI! Ocak üzerinde katı veya sıvı yağ ile gözetimsiz pişirme gerçekleştirmek tehlikeli olabilir ve yangına sebep olabilir. ASLA bir yangını suyla söndürmeye çalışmayın, cihazı kapatın ve ardından alevin üzerini örneğin bir kapak veya bir yangın battaniyesi ile örtün.

Güvenlik talimatı

Kurulum

- Üretici aşağıdaki şartlara uyulmamasından kaynaklanan kişi ve hayvanların uğradığı yaralanmalardan veya maddi hasarlardan sorumlu tutulamaz.

⚠ DİKKAT! Kurulumu devam etmek için Güvenlik Bilgilerine bakınız.

⚠ UYARI! Kurulum işlemi cihazın kullanıldığı ülkede yürürlükte bulunan kanun, kararname, yönetmelik ve standartlara (elektrik emniyet kuralları ve düzenlemeleri, yönetmeliklere göre uygun geri dönüşüm, vb.) uymalıdır!

- Cihazı kapıların yakınına ve ocağın altına monte etmekten kaçınınız, kapı ve pencereler açıldığında sıcak tencere düşebilir.
- Cihazın nakliye nedeniyle zarar görmediğinden emin olunuz. Hasarlı bir cihazı bağlamayınız.
- Nakliye esnasında hasar görmüşse cihazı kurmayınız.

- Ocağı uzatma kabloları kullanarak kurmayınız ve ocağın kordonlarını çalışma alanlarından geçirmeyiniz.
- Bu ürünün özelliklerini değiştirmeyiniz veya bu üründe değişiklik yapmayınız. Yaralanma ve cihaz hasarı tehlikesi.

⚠ UYARI! Elektrik bağlantıları için talimatlara dikkatle uyunuz.

Elektrik bağlantıları

- Bağlamadan önce, anma değeri plakasında belirtilen cihaz nominal geriliminin mevcut besleme gerilimine uygun olup olmadığını kontrol ediniz. Ayrıca, cihazın güç değerini kontrol ediniz ve evdeki elektrik tesisatının cihazın güç değerine uyacak şekilde boyutlandırıldığından emin olunuz (Teknik veriler bölümüne bakınız).
- Anma değeri plakası, ocağın alt gövdesi üzerinde yer almaktadır.

⚠ UYARI! Elektrik akımı nedeniyle yaralanma tehlikesi.

- Gevşek ve uygun olmayan fiş ve priz bağlantıları, bağlantı uçlarının aşırı ısınmasına neden olabilir.

Kullanmadan Önce:

Kullanmadan önce aşağıdaki talimatlara dikkat ediniz.

- Herhangi bir hasarı önlemek için standart şebeke güç kaynağı prizi kullanınız ve prizi düzenli olarak kontrol ediniz.
- Cihazı kendiniz açmayınız ve kalifiye olmayan bir kişi tarafından açılmasını önleyiniz. Cihazı sadece servis acentesi veya benzer kalifiye teknisyen onarır.
- Güç kablosunu ve fişi kontrol ediniz. Güç kablosu veya fiş hasar görmüşse, lütfen cihazı kullanmayınız. Fişi ıslak elle çekmeyiniz.
- Uzatma kablosu kullanmayınız ve sadece şebeke güç kaynağı prizini kullanınız.
- Cihaz uzun bir süre kullanılmamışsa öncelikle elektronik bileşenleri dengelemek için cihazı 10 dakika süreyle açınız. Ardından, cihazı çalıştırmaya başlayabilirsiniz.
- Cihazı su, ateş veya nemli alanların yakınında kullanmayınız. Cihaz SADECE ev tipi kullanım için tasarlanmıştır.
- İlk kullanımdan önce tüm ambalaj, etiket ve kaplamaları çıkarınız.
- Her kullanımdan sonra pişirme bölgelerini kendi kontrol düğmelerinden kapatınız ve pişirme kabı dedektörüne güvenmeyiniz.
- Yanma tehlikesi! Isınabilecekleri için bıçak, çatal, kaşık ve tencere kapakları gibi metalden yapılmış nesnelere pişirme yüzeyinin üzerine koymayınız.

⚠ **UYARI!** Yangın tehlikesi! Aşırı ısınmış katı ve sıvı yağlar çok çabuk alev alabilir.

⚠ **UYARI!** İmplant kalp pili olan kullanıcılar üst gövdelerini açık olan induksiyonlu pişirme bölgelerinden en az 30 cm uzakta tutmalıdır.

⚠ **UYARI!** Cihazı ıslak ellerle çalıştırmayınız ve kontrol paneli yüzeyini kuru tutunuz. Kontrol paneli tuşları üzerinde su birikmesi bozulmalarına neden olacaktır.

⚠ **UYARI!** Yüzeyde çatlak varsa, elektrik çarpması olasılığını önlemek için cihazı kapatınız.

Kullanım Sırasında ve Sonrasında:

Tutuşmayı ve kazaları önlemek için aşağıdaki talimatlara dikkat ediniz.

- Lütfen cihazı SADECE düz ve sert bir yüzeye yerleştiriniz.
- Çocuklar, cihazla oynamadıklarından emin olmak için gözetim altında tutulmalıdır.
- Cihaz çalışırken panel üzerine aşağıdaki nesnelere koymayınız.
 - a) Paslanmaz çelik
 - b) Demir
 - c) Dökme demir
 - d) Alüminyum
 - e) Kapak ve emaye
 - f) Bıçak, çatal ya da kaşık
 - g) Plaka demir, paslanmaz çelik, dökme demir veya alüminyumdan yapılmıştır
 - h) Boş tencere
- Isıtma işlemi sırasında cihaz üzerinde tencere varken taşımayınız veya hareket ettirmeyiniz.
- Isıtma sırasında havalandırma için cihaz çevresinde iyi bir ortam sağlayınız.
- Cihazın hava girişine veya hava çıkışına herhangi bir tel veya metal nesne sokmayınız.
- Panele bakım yapma.
 - a) Panelin üzerine ağır nesne düşürmeyiniz.
 - b) Panele su, asit veya herhangi bir sıvı dökmeyiniz.
 - c) Panel üzerinde herhangi bir şeyi ateşle yakmayınız.
 - d) Cihaz kullanımda değilken üzerine sıcak tencere koymayınız.
 - e) Yüzeyde (panel) çatlak varsa, elektrik çarpmasını önlemek için cihazı hemen kapatınız ve en yakın IKEA mağazasına götürünüz.
 - f) Bazı tencereler kullanım sırasında gürültü çıkarabilir. Tencereyi yavaşça hareket ettirdiğinizde gürültü yok olabilir ya da azalabilir. Yok olmuyor veya azalmıyorsa, tencereyi değiştiriniz.

- Cihaz çalışırken cihazı halı, kumaş veya kağıt ürünler üzerine koymayınız.
- Panele sıcakken dokunmayınız. Güç kapalı olsa bile, kalan ısı göstergesi sönmüncüye kadar panel hala sıcaktır.
- Cihazın fişini kablosundan çekerek çıkarmayınız.
- Lütfen fişten çekmeden önce cihazı kapatınız ve soğumasını bekleyiniz. Cihaz uzun süre kullanılmıyacaksa lütfen güç kablosunu çıkarınız.
- Kullanım sonrasında tencereleri cihazdan uzak tutunuz.

Cihazın zarar görmesini önlemek

- Cam seramik, üzerine düşen nesne veya üzerine çarpan tencereden zarar görebilir.
- Dökme demir, dökme alüminyum veya hasarlı tabanlara sahip tencereler, yüzeyde kaydırılırsa cam seramik çizilir.
- Cam seramik ayrıca yere düşürülürse de zarar görebilir.

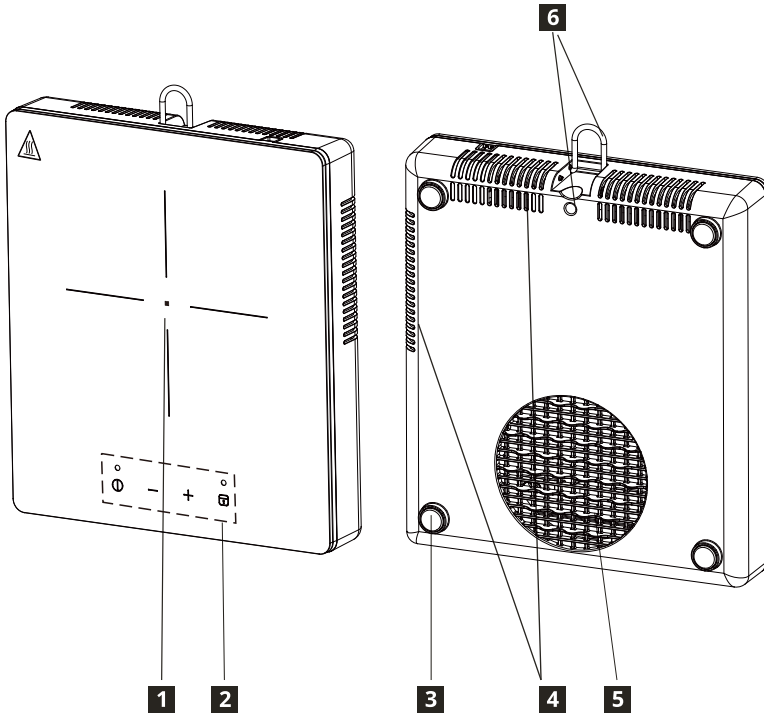
- Tencereye ve cam seramiğe zarar gelmesini önlemek için tencere veya tavaların boş ısınmasına izin vermeyiniz.
- Pişirme bölgelerini boş tencere ile veya tencere olmadan kullanmayınız.
- Cihazın herhangi bir parçasını alüminyum folyo ile kaplamayınız. Cihazın içine veya üzerine eriyebilecek plastik ya da başka bir malzeme koymayınız.

⚠ UYARI! Kullanımdan sonra fan ve ısı göstergesi kapanıncaya kadar ürünü prizinden çıkarmayınız.

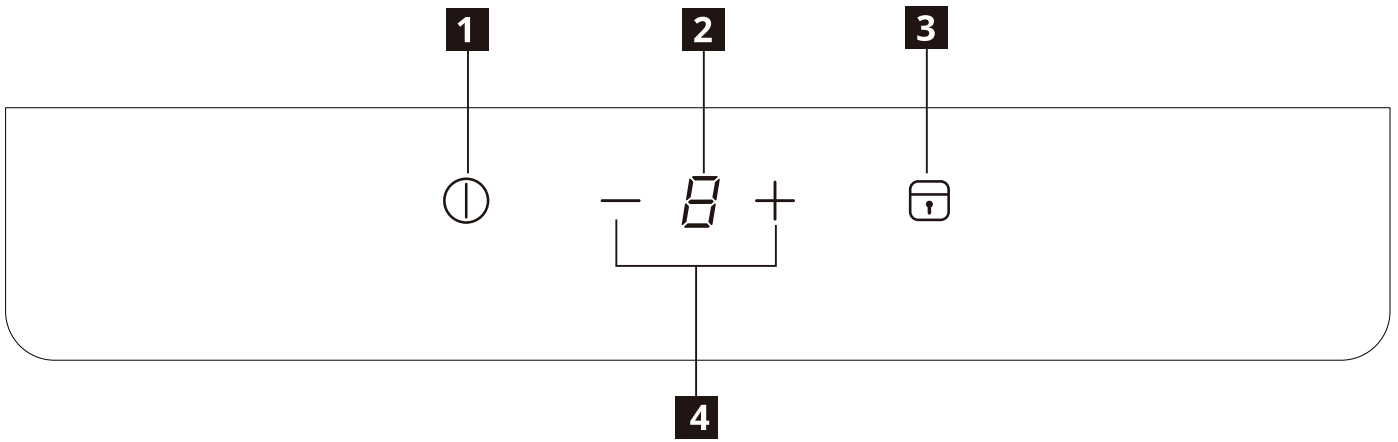
Akrilamidlerle ilgili bilgiler

Önemli! En son bilimsel bilgilere göre gıdaların özellikle de nişasta içeren ürünlerin yoğun biçimde esmerleşmesi akrilamidler nedeniyle sağlık riski teşkil edebilir. Bu nedenle, mümkün olan en düşük sıcaklıklarda pişirmenizi ve gıdaları çok fazla esmerleştirmenizi tavsiye ederiz.

Ürün açıklaması



- 1 Isıtma alanı
Pişirme bölgesi 170 mm,
2.000 W
- 2 Kontrol paneli
- 3 Silikon ayaklar
- 4 Hava çıkışı
- 5 Hava girişi
- 6 Kanca askısı



Kontrol paneli düzeni

- 1** Açma/Kapatma **3** Kilit/Çocuk kilidi
2 Güç seviyesi ekranı **4** Güç seviyesi ayarı - / +

Dokunmatik Kontrol sensör alanları ve göstergeleri

Ocak sensör alanlarına dokunarak çalıştırılır.

Göstergeler ve akustik sinyaller (kısa uyarı sesi) bir fonksiyonun seçildiğini onaylar.

Güç Seviyesi	1	2	3	4	5	6	7	8	9
Güç	150 W	250 W	300 W	450 W	600 W	800 W	1.100 W	1.500 W	2.000 W

Göstergeler

☒ Tencere yanlış yerleştirilmiş veya yok

Tencere induksiyonlu pişirme için uygun değilse, doğru yerleştirilmemişse veya seçili pişirme bölgesi için uygun boyutta değilse bu sembol görüntülenir. Seçim yapıldıktan sonra 30 saniye içinde herhangi bir tencere algılanmazsa pişirme bölgesi kapanır.

H Kalan ısı

Ekranda "H" görünüyorsa, pişirme bölgesi hâlâ sıcaktır. Pişirme bölgesi soğuduğunda

ekran kapanır.

⚠ UYARI! Kalan ısı nedeniyle yanma tehlikesi! Cihazı kapattıktan sonra, pişirme bölgelerinin soğuması için biraz zamana ihtiyaç vardır. Kalan ısı göstergesine **H** bakınız.

Kalan ısıyı gıdaları eritmek ve sıcak tutmak için kullanınız.

H ifadesinin ekrandan yok olmasını beklemeden ürünü prizden çıkarmayınız.

Günlük kullanım

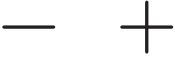


Prize takmak

1. Fiş ana şebekeye takıldıktan sonra, çocuk kilidi etkinleştirilir. Devre dışı bırakmak için Çocuk Kilidi tuşuna basıp 3 saniye basılı tutunuz.

Açma/Kapatma

1. AÇMA/KAPATMA tuşuna basınız, göstergede bekleme modu olarak "0" değeri gösterilir ve güç göstergesi ışığı yanar. 30 saniye içinde herhangi bir ısı ayarı seçilmezse ocak AÇMA/KAPATMA tuşuna basmadan otomatik olarak kapanacaktır.
2. Çalışma sırasında AÇMA/KAPATMA tuşuna basıldığında ocak kapanır.



Güç seviyesi ayarı

1. Cihaz çalışırken güç seviyesini ayarlamak için — veya + tuşuna basınız.
2. — tuşuna basıldığında güç seviyesi doğrudan "9"a ulaşır. Güç seviyesini "9" dan "1" e düşürmek için — tuşuna basınız.
3. + tuşuna basıldığında güç seviyesi "1"den başlayarak yükselir. Güç seviyesini "1" den "9" a yükseltmek için + tuşuna basınız.



Kilit fonksiyonu

Pişirme bölgesi çalıştığında, ocağı temizlemek için kontrol panelini kilitleyebilirsiniz. Güç seviyesi ayarının yanlışlıkla değiştirilmesini önler. Ocak Açma/Kapatma tuşu ile kapatılabilir.

Kilidin etkinleştirilmesi

1. İstedığınız güç seviyesine ayarlayınız.
2. Kilit tuşuna 3 saniye boyunca basınız. Kilit tuşu göstergesi yandığında ve bir ses duyulduğunda kilit fonksiyonu etkinleştirilir.

Kilidin devre dışı bırakılması

1. Kilit tuşuna 3 saniye boyunca basınız. Kilit tuşu göstergesi kapandığında ve bir ses duyulduğunda kilit fonksiyonu devre dışı kalır.
2. Güç seviyesi önceki ayara geri döner.

Çocuk kilidi fonksiyonu

Kontrol panelini ocak çalışmadığı zaman da kilitli tutabilirsiniz. Bu işlev cihazın kazara çalışmasını engeller.

Çocuk kilidinin etkinleştirilmesi

1. AÇMA/KAPATMA tuşu ile cihazı etkinleştiriniz. Herhangi bir güç seviyesi ayarlamayınız.
2. Kilit tuşuna 3 saniye boyunca basınız. Kilit tuşu göstergesi yandığında ve bir ses duyulduğunda kilit fonksiyonu etkinleştirilir.
3. AÇMA/KAPATMA tuşu ile cihazı devre dışı bırakınız.

Çocuk kilidinin devre dışı bırakılması

1. Kilit tuşuna 3 saniye boyunca basınız. Kilit tuşu göstergesi kapandığında ve bir ses duyulduğunda kilit fonksiyonu devre dışı kalır.

Otomatik kapatma

Bu fonksiyon aşağıdaki durumlarda ocağı otomatik olarak kapatır:

- Tüm pişirme bölgeleri kapalı ise.
- Ocağı 30 saniye açık tuttuktan sonra güç seviyesini AYARLAYAMADIĞINIZDA.
- 2 saat sonra veya aşırı ısınma meydana gelmesi durumunda (ör. tencere boş ısınırken) pişirme bölgesini KAPATMADIĞINIZDA veya güç seviyesini değiştirmedeğinizde.

Pişirme tablosu

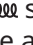
Isı ayarı	Kullanım amacı:	Süre (dk)	İpuçları
1	• Pişmiş yiyeceği sıcak tutma.	gerektiği kadar	Pişirme aleti üzerine kapak yerleştirin.
1-2	• Holandez sosu, eritme: tereyağı, çikolata, jelatin.	5-25	Belli aralıklarla karıştırın.
2-3	• Pirinçli ve sütlü yemekleri pişirme, hazır yemekleri ısıtma.	25-50	Pirincin en az iki katı kadar sıvı ekleyin, süt kullanılan yemekleri işlemin ortasında karıştırın.
4-5	• Sebze, balık, et ve patates buğulama.	20-45	Az miktarda su ekleyin.
	• Büyük miktarda yiyecek, sulu yemek pişirme.	60-150	Az miktarda su ekleyin.
5-6	• Yavaş kızartma: cordon bleu, pirzola, köfte, sosis, beyaz sos, yumurta.	gerektiği kadar	İşlemin ortasında ters çevirin.
7-8	• Mücver, biftek.	5-15	İşlemin ortasında ters çevirin.
9	• Su kaynatma, makarna pişirme, et kavurma (gulaş, etli güveç), yağda patates kızartma.		

Tencere kılavuzu

Hangi tencereler kullanılır

Sadece tabanı induksiyon ocaklarla kullanıma uygun ferromanyetik malzemeden yapılmış tencere ve tavaları kullanınız:

- Dökme demir
- Emaye çelik
- Karbon çelik
- Paslanmaz çelik (hepsi dahil değil)
- Ferromanyetik kaplamalı veya ferromanyetik saclı alüminyum

Bir tencerenin veya tavanın uygun olup olmadığını belirlemek için  sembolü olup olmadığını kontrol ediniz (genellikle alt tarafta damgalıdır). Ayrıca alt kısmına bir mıknatıs tutabilirsiniz. Mıknatısın yapışması tencerenin induksiyonlu ocak üzerinde kullanılabileceği anlamına gelir.

En üst düzey verimlilik sağlamak için daima ısıyı eşit olarak dağıtan düz tabanlı tencere ve tavalar kullanınız. Tabanı düz değilse bu durum güç ve ısı iletimini etkiler.

Kullanımı

Farklı pişirme alanları için minimum tencere/tava tabanı çapı

Ocağın düzgün çalıştığından emin olmak için tencere ocağın yüzeyinde belirtilen referans noktalarından birini veya daha fazlasını kaplamalı ve uygun minimum çapta olmalıdır.

Daima tencere tabanının çapına en uygun pişirme bölgesini kullanınız.

Pişirme bölgesi	Önerilen tencere çapı [mm]
Orta arka pişirme bölgesi	120-180

Boş veya ince tabanlı tencereler/tavalar

Ocağın üzerinde boş veya ince tabanlı tencere/ tavalar kullanmayınız, çünkü sıcaklık tavaya veya ocak yüzeyine zarar verecek kadar yüksek olduğunda sıcaklık izlenip otomatik olarak kapatılamaz. Böyle bir durumda hiçbir şeye dokunmayınız ve tüm bileşenlerin soğumasını bekleyiniz.

Hata mesajı görünürse, "Sorun Giderme" bölümüne bakınız.

İpucu/püf noktaları**Pişirme sırasında gürültü**

Pişirme bölgesi etkinleştirildiğinde kısa süreli uğultu duyulabilir. Bu durum, tüm seramik cam pişirme bölgelerinin bir özelliğidir. Bu ses cihaz fonksiyonunu bozmaz veya kullanım ömrünü etkilemez. Duyulan gürültü, kullanılan tencereye bağlıdır. Ciddi ölçüde rahatsızlığa neden olursa tencerenin değiştirilmesi faydalı olabilir.

İndüksiyonlu ocağın normal çalışma sesi

İndüksiyon teknolojisi, doğrudan tencerelerin altında ısı üretmek üzere elektromanyetik alanların oluşturulmasına dayanır. Tencere ve tavalar, üretim biçimlerine bağlı olarak çeşitli ses veya titreşimlere neden olabilir.

Bu sesler aşağıda açıklanmıştır:

Hafif uğultu (trafo benzeri)

Bu ses, yüksek ısı seviyesinde pişirme işlemi yapıldığında çıkar. Ocaktan pişirme kabına aktarılan enerji miktarına bağlıdır. Isı seviyesi düşürüldüğünde ses azalır veya kesilir.

Sessiz ısılık

Bu ses, pişirme kabı boşken çıkar. Kabın içine sıvı veya yiyecek konulduğunda kesilir.

Çıtırdama

Bu ses, birbiri üstüne yerleştirilmiş çeşitli malzemelerden yapılmış tencerelerde oluşur. Farklı malzemelerin birleştiği yüzeylerin titreşimlerinden kaynaklanır. Ses tencerelerde oluşur ve gıda veya sıvı miktarına ve pişirme yöntemine (ör. kaynatma, haşlama, kızartma) göre değişebilir.

Yüksek sesli ısılık

Bu ses, birbiri üstüne yerleştirilmiş çeşitli malzemelerden yapılmış tencerelerde, maksimum güçte ve ayrıca iki pişirme bölgesinde kullanıldıklarında oluşur. Isı seviyesi düşürüldüğünde ses azalır veya kesilir.

Bu sesler normal fan sesleridir

Elektronik sistemin düzgün çalışması için ocağın sıcaklığı kontrol altında tutulmalıdır. Bunun için ocakta soğutma fanı bulunur. Fan, elektronik sistemin sıcaklığını düşürmek ve kontrol altında tutmak için etkinleştirilir. Ocağın algılanan sıcaklığı, ocak kapatıldıktan sonra hâlâ yüksekse fan, cihaz kapatıldıktan sonra da çalışmaya devam edebilir.

Saat sesine benzer ritmik sesler

Bu ses yalnızca en az üç pişirme bölgesi çalışırken oluşur ve bazı bölgeler kapatıldığında kaybolur veya azalır. Tarif edilen sesler indüksiyon teknolojisinde normaldir ve kusur olarak düşünülmemelidir.

Bakım ve temizlik

⚠ **UYARI!** Cihazı kapatınız ve prizden çekmeden önce soğumasını bekleyiniz.

⚠ **UYARI!** Cihazı kapatınız ve temizlemeden önce soğumasını bekleyiniz.

⚠ **UYARI!** Güvenlikle ilgili nedenlerden dolayı, cihazı buhar püskürtücü veya yüksek basınçlı temizleyicilerle temizlemeyiniz.

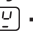

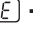

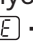

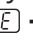

⚠ **UYARI!** Keskin cisimler ve aşındırıcı temizlik maddeleri cihaza zarar verir. Cihazı temizleyiniz ve her kullanımdan sonra artıkları su ve bulaşık deterjanı ile çıkarınız. Ayrıca temizlik maddelerinin kalıntılarını da çıkarınız!

ⓘ Cam seramik üzerindeki çizikler veya çıkarılamayan koyu lekeler cihazın çalışmasını etkilemez.

Artıkları ve inatçı kalıntıları çıkarma:

- Şeker içeren gıdalar, plastik, kalay folyo kalıntıları derhal çıkarılmalıdır, cam yüzeyi temizlemek için en iyi araç spatuladır (cihazla birlikte verilmez). Cam seramik yüzeyin üzerinde bir spatula kullanarak bıçağı belli bir açıyla kaydırıp artıkları çıkarınız. Cihazı nemli bir bez ve deterjan ile siliniz. Son olarak, cihazı temiz bir bez kullanarak kurulayınız.
- Cihaz soğuduktan sonra cam seramik veya paslanmaz çelik için temizleyici kullanarak kireç birikintisi halkaları, su halkaları, yağ sıçramaları, parlak metalik renk bozulmaları çıkarılmalıdır.

Sorun Giderme

Sorun	Olası Neden	Çözüm
Cihaz çalışmıyor.	Evinizin güç kaynağında elektrik sıkıntısı veya kısa devre.	
	Prize güç bağlantısı düzgün yapılmamış.	Güç kaynağından ocağa giden bağlantının doğru olup olmadığını inceleyiniz.
	Cihazın açılmasından itibaren 10 saniyeden fazla süre geçti.	Cihazı yeniden çalıştırınız.
	Çocuk kilidi açık.	Çocuk kilidini devre dışı bırakın. ("Çocuk emniyet tertibatı" bölümüne bakınız).
	Aynı anda birçok sensör alanına dokunulmuş.	Sadece bir sensör alanına dokununuz.
Cihaz çalışmıyor. Hata göstergesi:  → 	Tencere indüksiyon için uygun değil.	İndüksiyon için uygun bir tencere ile değiştiriniz.
	Pişirme bölgesinde tencere yok veya tencere çapı 120 mm'den az.	Pişirme bölgesi üzerine tencere yerleştiriniz.
Cihaz çalışmıyor. Hata göstergesi:  → 	Tencere boş (kuru halde ısınma) ya da pişirme sıcaklığı çok yüksek.	Cihazı kapatınız ve 5 dakika sonra yeniden başlatınız. E2 devam ederse, lütfen en yakın IKEA mağazası ile irtibata geçiniz.
	Hava girişi ve çıkışı engelleniyor.	
	Ortam sıcaklığı çok yüksek.	
Cihaz çalışmıyor. Hata göstergesi:  → 	Şebeke güç kaynağı AC 275 V'nin üzerinde.	Ürüne uygun güç kaynağına değiştiriniz.
Cihaz çalışmıyor. Hata göstergesi:  → 	Şebeke güç kaynağı AC 100 V'nin altında.	Ürüne uygun güç kaynağına değiştiriniz.

Cihaz çalışmıyor. Hata göstergesi: E → 5	Cihazın sıcaklık sensörü çalışmıyor.	Lütfen en yakın IKEA mağazası ile irtibata geçiniz.
Cihaz çalışmıyor. Hata göstergesi: E → 6		
Cihaz çalışmıyor. Hata göstergesi: E → 0	İç istisna	Cihazı kapatınız ve 5 dakika sonra yeniden başlatınız. EO devam ederse lütfen en yakın IKEA mağazası ile irtibata geçiniz.

Hata kodu ocağın ne zaman açıldığını ve hatanın ne zaman algılandığını gösterir. E ve sayılar aralıklı olarak (1 saniye aralıklarla) ve birbiri ardınca gösterilir.

Bir sorun meydana geldiğinde sorun giderme yönergelerini izleyerek sorunu gidermeye çalışınız. Sorun giderilemezse, size en yakın IKEA mağazası ile

irtibata geçiniz.

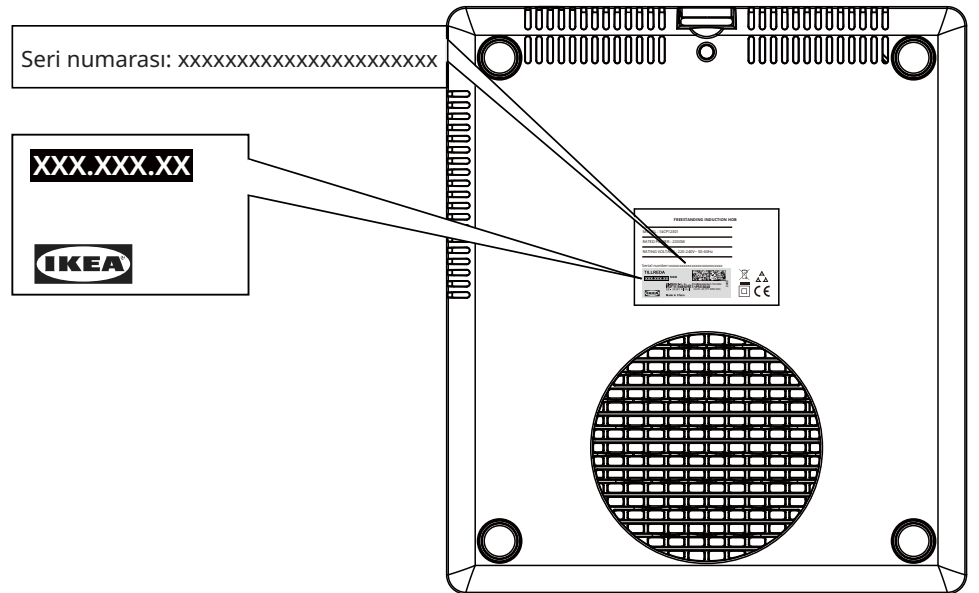
ⓘ Cihazı yanlış kullanmanız halinde, satıcı garanti süresi içinde bile ücretsiz hizmet vermeyebilir.

Teknik veriler

Model	14CP12301
Ocak tipi	Bağımsız induksiyonlu ocak
Pişirme bölgesi ve/veya alanı sayısı	1
Anma Gücü	2.000 W
Anma Gerilimi	220-240 V~
Anma Frekansı	50-60 Hz
Derinlik	305 mm
Genişlik	270 mm
Yükseklik	62 mm
Net Ağırlık	2,33 kg

Seri Numarası (SN ile başlar, 22 haneli kod)

Ürün Numarası (8 haneli kod)




Resim sadece referans içindir

Enerji verimliliği

Model kimliği	14CP12301
Ocak tipi	Taşınabilir cihaz
Piştirme bölgesi sayısı	1
Isıtma teknolojisi	İndüksiyon
Dairesel piştirme bölgelerinin çapı (Ø)	170 mm
Piştirme bölgesi başına enerji tüketimi (EC elektrikli piştirme)	184 Wh/kg
Ocağın enerji tüketimi (EC elektrikli ocak)	184 Wh/kg
Güç tüketimi ve geçerli düşük güç moduna ulaşma süresi için ürün bilgileri	kapalı mod: 0,5 W
Geçerli düşük güç moduna ulaşmak için gereken maksimum süre	5 saniye
Direktif 2009/125/EC, KOMİSYON YÖNETMELİĞİ (AB) No 66/2014, EN 60350-2:2018+A1:2021.	


Çevre ile ilgili konular**Ev aletlerinin atılması**

Ürünün veya ambalajının üzerindeki  sembolü bu ürünün evsel atık olarak değerlendirilmemesi gerektiğini belirtir. Bunun yerine, elektrikli ve elektronik cihazların geri dönüşümü için uygun toplama noktasına alınmalıdır. Bu ürünün doğru şekilde imha edilmesini sağlayarak, ürünün uygun olmayan bir biçimde atılmasının neden olabileceği çevre ve insan sağlığı için potansiyel olumsuz sonuçların önlenmesine yardımcı olacaksınız. Bu ürünün geri dönüşümü ile ilgili daha ayrıntılı bilgi için belediyenize, evsel atık bertaraf hizmetine ya da ürünü satın aldığınız mağazaya başvurunuz.

⚠ UYARI! Cihazı atmak için aşağıdaki adımları gerçekleştiriniz:

- Fişi prizden çekiniz.
- Elektrik kablosunu kesin ve hurdaya çıkarın.

Ambalaj malzemelerinin atılması

 sembolü bulunan malzemeler geri dönüşümlüdür. Ambalajı geri dönüşüm için uygun bir toplama konteynerine atınız.

Enerji tasarrufu

- Mümkünse, tavaların üzerine kapaklarını her zaman yerleştiriniz.
- Piştirme bölgesini açmadan önce tencereyi üzerine yerleştiriniz.
- Tencerenin tabanı mümkün olduğunca kalın ve düz olmalıdır.

IKEA Garantisi

IKEA Garantisi ne kadar süreyle geçerlidir?

Bu garanti, ulusal mevzuatta aksi belirtilmedikçe cihazınızı IKEA'dan satın aldığınız tarihten itibaren 2 yıl süreyle geçerlidir. Ülkenizde hangisinin geçerli olduğunu öğrenmek için lütfen IKEA.com adresine gidin.

Satın alma işleminin kanıtı olarak orijinal satış makbuzu gerekmektedir. Servis işlemi garanti kapsamında gerçekleştirilirse bu durum, cihazın garanti süresini uzatmaz.

Servisi kim yapacak?

En yakın IKEA mağazası ile irtibata geçiniz.

Bu garanti neleri kapsar?

Bu garanti, IKEA'dan satın alınma tarihinden itibaren, cihazın hatalı üretiminden veya malzeme hatalarından kaynaklanan arızaları kapsamaktadır.

Bu garanti sadece cihazın evde kullanıldığı durumlar için geçerlidir.

İstisnai durumlar "Bu garanti kapsamına neler dahil değildir?" başlığının altında belirtilmiştir. Cihazın ilave harcama yapılmadan tamir için erişilebilir olması şartıyla garanti süresi içinde arızayı düzeltmek üzere yapılacak masraflar (ör. onarım, parça, işçilik ve ulaşım) karşılanacaktır. Değiştirilen parçalar IKEA'nın malı olacaktır.

IKEA sorunu çözmek için ne yapacak?

IKEA ürünü inceleyecek ve kendi takdirine göre garanti kapsamına girip girmediğine karar verecektir. Garanti kapsamında olduğu kabul edilirse, IKEA, kendi takdirine bağlı olarak, kusurlu ürünü tamir edebilir ya da cihazı aynı veya benzer bir ürün ile değiştirebilir.

Bu garanti kapsamına neler dahil değildir?

- Normal yıpranma ve aşınma.
- Kasti veya ihmale dayalı hasarlar, çalıştırma talimatlarına uyulmaması, yanlış kurulum veya yanlış voltaja bağlantısından kaynaklanan hasarlar, kimyasal veya elektro-kimyasal tepkime, pas, korozyon veya su kaynağında bulunan kireçten kaynaklanan hasarlar da dahil olmak üzere fakat bununla sınırlı olmamak kaydıyla su hasarları, anormal çevre koşullarının neden olduğu hasarlar.
- Aküler ve lambalar dahil olmak üzere sarf malzemeleri.

- Çizikler ve olası renk değişiklikleri de dahil olmak üzere, cihazın normal kullanımını etkilemeyen, fonksiyonel olmayan parçalar ve dekoratif parçalar.
- Yabancı nesnelere veya maddelerden ve filtrelerin temizlenmesinden veya kilidinin açılmasından, tahliye sistemlerinden veya sabun çekmecelerinden kaynaklanan kaza ile oluşan hasarlar.
- Şu parçalardaki hasarlar: Seramik cam, aksesuarlar, tabak takımı ve çatal-bıçak sepetleri, besleme ve tahliye boruları, contalar, lambalar ve lamba kapakları, ekranlar, düğmeler, çerçeveler ve çerçeve parçaları. Bu hasarların üretim hatalarından kaynaklandığının ispatlanamaması halinde.
- Tayin edilen servis sağlayıcılarımız ve/veya yetkili bir servis sözleşmeli partner tarafından yapılmayan veya orijinal parçaların kullanılmadığı tamir işlemleri.
- Hatalı veya teknik özelliklere uygun olmayan kurulumun sebep olduğu tamirler.
- Cihazın ev dışındaki ortamlarda kullanılması, örn. profesyonel kullanım.
- Nakliyeden kaynaklanan hasarlar. Eğer bir müşteri, ürünü evine veya başka bir adrese kendisi naklederse, nakliye esnasında meydana gelecek hasarlardan IKEA sorumlu değildir. Ancak ürünün nakliyesini, müşterinin teslimat adresine IKEA yaptığında nakliye esnasında oluşan hasar IKEA tarafından karşılanacaktır.
- IKEA cihazının ilk kurulum ücreti. Ancak, IKEA tarafından atanan bir Servis Sağlayıcısı veya yetkili servis ortağı, bu garanti şartları altında cihazı tamir eder veya değiştirirse atanan Servis Sağlayıcısı veya onun yetkili servis ortağı tamir edilen veya değiştirilen cihazın kurulumunu gerekirse yeniden yapacaktır.

Ülke kanunları nasıl işler

IKEA garantisi size tüm yerel yasal talepleri kapsayan veya bunların ötesine geçen özel yasal haklar verir. Ancak, bu şartlar hiçbir şekilde yerel kanunlarda tanımlanan müşteri haklarını sınırlandırmaz.

Geçerlilik alanı

Bir AB ülkesinde satın alınan ve başka bir AB ülkesine götürülen cihazların servis hizmetleri yeni ülkedeki normal garanti koşulları çerçevesinde sunulacaktır. Garanti çerçevesi içerisinde servis sunma yükümlülüğü, ancak cihazın kendisi ve montajı aşağıdakilere uygunsa mevcuttur:

- garanti talebinin yapıldığı ülkenin teknik şartnamesi;
- montaj Talimatları ve Kullanıcı Kılavuzu Güvenlik Bilgileri.

IKEA cihazları için SATIŞ SONRASI HİZMET

Şunlar için IKEA ile irtibata geçmekte tereddüt etmeyiniz:

- bu garanti kapsamında bir servis talebinde bulunmak için;
- IKEA cihazlarının fonksiyonları hakkında bilgi almak için.

Size en iyi yardımı sağladığımızdan emin olmak için bizimle iletişime geçmeden önce lütfen Montaj Talimatları ve/veya Kullanım Kılavuzunu dikkatle okuyun.

Servisimize ihtiyaç duyduğunuzda bize nasıl ulaşabilirsiniz?

IKEA satış sonrası müşteri hizmetleri merkezi, servis çağrısı talebiniz sırasında cihazınız için temel sorun giderme konularında size yardımcı olacaktır. IKEA kataloğuna bakınız ya da yerel mağaza telefon numarası ve açılış zamanını bulmak için www.ikea.com web sitesini ziyaret ediniz.

Size daha hızlı hizmet verebilmemiz için her zaman cihazın anma plakasında yer alan IKEA ürün numarasına (8 haneli kod) bakınız.

SATIŞ MAKBUZUNU SAKLAYIN!

Bu belge sizin bu ürünü satın aldığınızı kanıtlar ve garantinin uygulanması için gereklidir. Makbuz ayrıca satın aldığınız her cihazın IKEA ürün adını ve madde numarasını da (8 rakamlı kod) taşımaktadır.

Daha fazla yardım istiyor musunuz?

Cihazınızın Satış Sonrası ile ilgili olmayan diğer sorular için lütfen en yakın IKEA mağazası çağrı merkeziyle iletişime geçin. Bizimle temasa geçmeden önce cihazınızın belgelerini tam olarak okumanızı öneririz.

