

LAGAN

en



Design and Quality
IKEA of Sweden



ENGLISH

Please refer to the last page of this manual for the full list of IKEA appointed After Sales Service Provider and relative national phone numbers.
The electronic user manual is available at www.ikea.com.

TABLE OF CONTENTS

Safety information	5	Specifications.....	15
Product description	9	Installation and connection.....	16
Control panel.....	10	Environmental concerns	16
Using the microwave oven	11	Ikea guarantee	17
Trouble shooting.....	15		

Safety information

⚠ **WARNING! PRECAUTIONS TO AVOID POSSIBLE EXPOSURE TO EXCESSIVE MICROWAVE ENERGY**

For your safety

- Do not attempt to operate this oven with the door open since this can result in harmful exposure to microwave energy. It is important not to break or tamper with the safety interlocks.
- Do not place any object between the oven front face and the door or allow soil or cleaner residue to accumulate on sealing surfaces.

- ⚠ **WARNING!** If the door or door seals are damaged, the oven must not be operated until it has been repaired by a qualified technician.

IMPORTANT SAFETY INSTRUCTIONS

WARNING

To reduce the risk of fire, electric shock, injury to persons or exposure to excessive microwave oven energy when using your appliance, follow basic precautions, including the following:

- Read and follow the specific: **"PRECAUTIONS TO AVOID POSSIBLE EXPOSURE TO EXCESSIVE MICROWAVE ENERGY"**.
- This device can be used by children aged 8 and older, and by individuals with reduced physical, sensory, or mental capabilities, or those lacking experience or knowledge, provided they are given proper instructions on the safe use of the device and understand the associated risks.

- Keep the appliance and its cord out of reach of children less than 8 years.
- If the supply cord is damaged, it must be replaced by the manufacturer, its service agent or similarly qualified persons in order to avoid a hazard.

- ⚠ **WARNING:** It is hazardous for anyone other than a competent person to carry out any service or repair operation that involves the removal of a cover which gives protection against exposure to microwave energy.

- When heating food in plastic or paper containers, keep an eye on the oven due to the possibility of ignition.
- Only use utensils that are suitable for use in microwave ovens.
- If smoke is emitted, switch off or unplug the appliance and keep the door closed in order to stifle any flames.
- Microwave heating of beverages can result in delayed eruptive boiling, therefore care must be taken when handling the container.
- The contents of feeding bottles and baby food jars shall be stirred or shaken and the temperature checked before consumption, in order to avoid burns.
- Eggs in their shell and whole hard-boiled eggs should not be heated in microwave ovens since they may explode, even after microwave heating has ended.
- The oven should be cleaned regularly and any food deposits removed.
- Failure to maintain the oven in a clean condition could lead to deterioration of the surface that could adversely affect the

life of the appliance and possibly result in a hazardous situation.

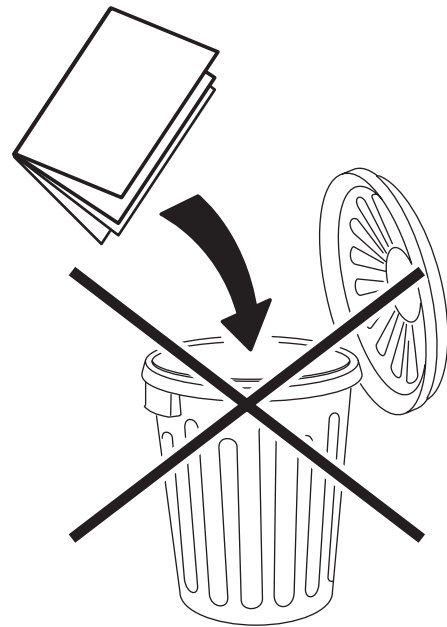
- The appliance must not be installed behind a decorative door in order to avoid overheating.
- Only use the temperature probe recommended for this oven. (For ovens provided with a facility to use a temperature-sensing probe.)
- The microwave oven must be operated with the decorative door open. (For ovens with a decorative door.)
- This appliance is intended to be used in household and similar applications such as:
 - staff kitchen areas in shops, offices and other working environments;
 - by clients in hotels, motels and other residential type environments;
 - farm houses;
 - bed and breakfast type environments.
- The microwave oven is intended for heating food and beverages. Drying of food or clothing and heating of warming pads, slippers, sponges, damp cloth and similar may lead to risk of injury, ignition or fire. Metallic containers for food and beverages must not be used as they may ignite.
- The appliance shall not be cleaned with a steam cleaner.
- The microwave oven is intended to be used built-in.
- The rear surface of appliances shall be placed against a wall.
- The appliances are not intended to be operated by means of an external timer or separate remote-control system.
- The temperature of accessible surfaces may be high when the appliance is operating.

⚠ WARNING: When the appliance is operated in the combination mode, children should only use the oven under adult supervision due to the temperatures generated.

⚠ WARNING: To prevent burns, please do not touch the microwave while it is running.

SAVE THESE INSTRUCTIONS

READ CAREFULLY AND KEEP FOR FUTURE REFERENCE.



TO REDUCE THE RISK OF INJURY TO PERSONS GROUNDING INSTALLATION

⚠ DANGER

Electric Shock Hazard

Touching some of the internal components can cause serious personal injury or death. Do not disassemble this appliance.

⚠ WARNING!

Electric Shock Hazard

Improper use of the grounding can result in electric shock. Do not plug into an outlet until appliance is properly installed and grounded.

This appliance must be grounded. In the event of an electrical short circuit, grounding reduces the risk of electric shock by providing an escape wire for the electric current. This appliance is equipped with a cord having a grounding wire with a grounding plug. The plug must be plugged into an outlet that is properly installed and grounded.

Consult a qualified electrician or serviceman if the grounding instructions are not completely understood or if doubt exists as to whether the appliance is properly grounded. If it is necessary to use an extension cord, use only a 3-wire extension cord.

- A short power-supply cord is provided to reduce the risks resulting from becoming entangled in or tripping over a longer cord.
- If a long cord set or extension cord is used:
 - The marked electrical rating of the cord set or extension cord should be at least as great as the electrical rating of the appliance.
 - The extension cord must be a grounding-type 3-wire cord.
 - The long cord should be arranged so that it will not drape over the counter top or tabletop where it can be pulled on by children or tripped over unintentionally.

CLEANING

Be sure to unplug the appliance from the power supply.

- Clean the cavity of the oven after using with a slightly damp cloth.
- Clean the accessories in the usual way in soapy water.
- The door frame and seal and neighbouring parts must be cleaned carefully with a damp cloth when they are dirty.
- Do not use harsh abrasive cleaners or sharp metal scrapers to clean the oven door glass since they can scratch the surface, which may result in shattering of the glass.
- Cleaning Tip ★ For easier cleaning of the cavity walls that the food cooked can touch: Place half a lemon in a bowl, add 300ml (1/2 pint) water and heat on 100% microwave power for 10 minutes. Wipe the oven clean using a soft, dry cloth.

⚠ CAUTION

Personal Injury Hazard

It is hazardous for anyone other than a competent person to carry out any service or repair operation that involves the removal of a cover which gives protection against exposure to microwave energy.

See the instructions on **“MATERIALS YOU CAN USE IN MICROWAVE OVEN OR TO BE AVOIDED IN MICROWAVE OVEN.”**

There may be certain non-metallic utensils that are not safe to use for microwaving. If in doubt, you can test the utensil in question following the procedure below.

Utensil Test:

- Fill a microwave-safe container with 1 cup of cold water (250ml) along with the utensil in question.
- Cook on maximum power for 1 minute.
- Carefully feel the utensil. If the empty utensil is warm, do not use it for microwave cooking.
- Do not exceed 1 minute cooking time.

Materials you can use in microwave oven

Utensils	Remarks
Browning dish	Follow manufacturer's instructions. The bottom of browning dish must be at least 3/16 inch (5 mm) above the turntable. Incorrect usage may cause the turntable to break.
Dinnerware	Microwave-safe only. Follow manufacturer's instructions. Do not use cracked or chipped dishes.
Glass jars	Always remove lid. Use only to heat food until just warm. Most glass jars are not heat resistant and may break.
Glassware	Heat-resistant oven glassware only. Make sure there is no metallic trim. Do not use cracked or chipped dishes.
Oven cooking bags	Follow manufacturer's instructions. Do not close with metal tie. Make slits to allow steam to escape.
Paper plates and cups	Use for short-term cooking/warming only. Do not leave oven unattended while cooking.
Paper towels	Use to cover food for reheating and absorbing fat. Use with supervision for a short-term cooking only.
Parchment paper	Use as a cover to prevent splattering or a wrap for steaming.
Plastic	Microwave-safe only. Follow the manufacturer's instructions. Should be labeled "Microwave Safe". Some plastic containers soften, as the food inside gets hot. "Boiling bags" and tightly closed plastic bags should be slit, pierced or vented as directed by package.
Plastic wrap	Microwave-safe only. Use to cover food during cooking to retain moisture. Do not allow plastic wrap to touch food.
Thermometers	Thermometers Microwave-safe only (meat and candy thermometers).
Wax paper	Use as a cover to prevent splattering and retain moisture.

Materials to be avoided in microwave oven

Utensils	Remarks
Aluminum tray	May cause arcing. Transfer food into microwave-safe dish.
Food carton with metal handle	May cause arcing. Transfer food into microwave-safe dish.
Metal or metaltrimmed utensils	Metal shields the food from microwave energy. Metal trim may cause arcing.
Metal twist ties	May cause arcing and could cause a fire in the oven.
Paper bags	May cause a fire in the oven.
Plastic foam	Plastic foam may melt or contaminate the liquid inside when exposed
Wood	Wood will dry out when used in the microwave oven and may split or crack.

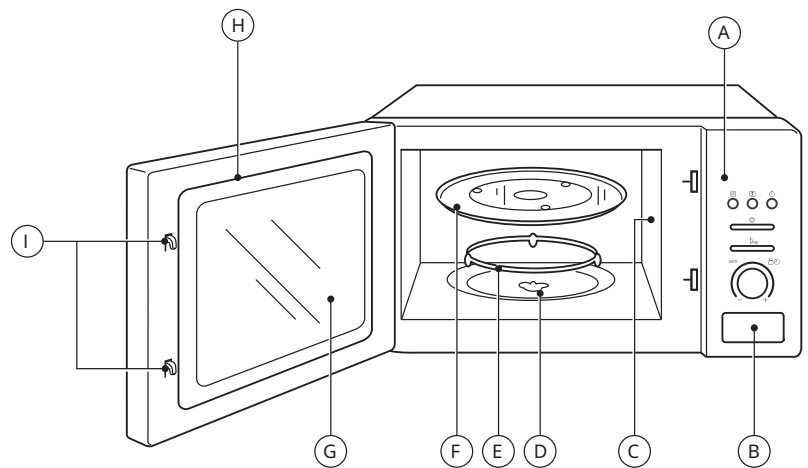
Product description

Setting up your oven

Name of oven parts and accessories

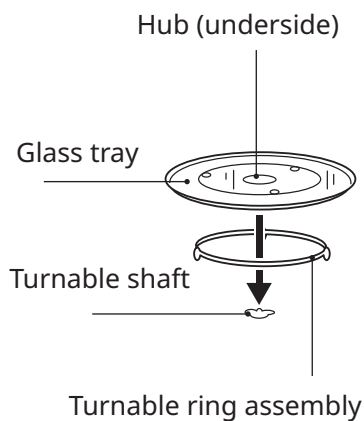
Remove the oven and all materials from the carton and oven cavity. Your oven comes with the following accessories:

Glass tray	1x
Turntable ring assembly	1x
Instruction manual	1x
Drilling template	1x
Assembly instruction	1x



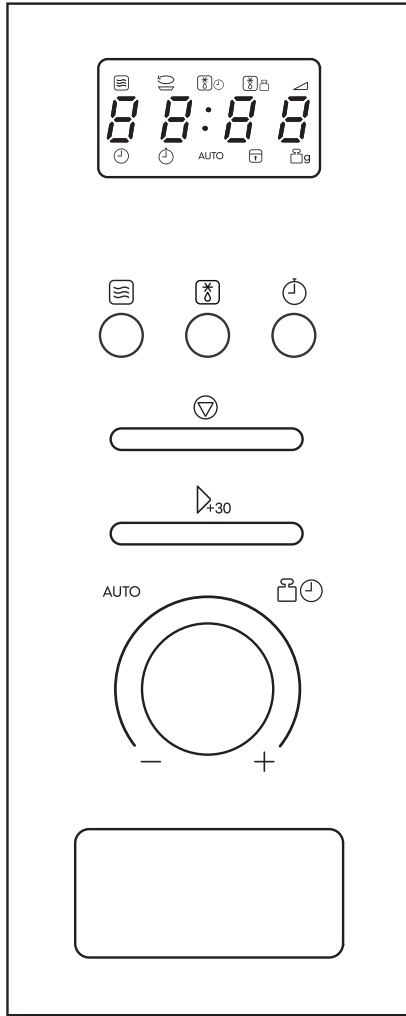
- A) Control panel
- B) Door opening button
- C) Wave guide cover (Do not remove)
- D) Turntable shaft
- E) Turntable ring assembly
- F) Glass tray
- G) Observation window
- H) Door assembly
- I) Safety interlock system

Turntable installation









- a) Never place the glass tray upside down. The glass tray should never be restricted.
- b) Both glass tray and turntable ring assembly must always be used during cooking.
- c) All food and containers of food are always placed on the glass tray for cooking.
- d) If glass tray or turntable ring assembly cracks or breaks, contact your nearest authorized service center.
- e) Never put frozen food directly on a warm turntable.

Control panel



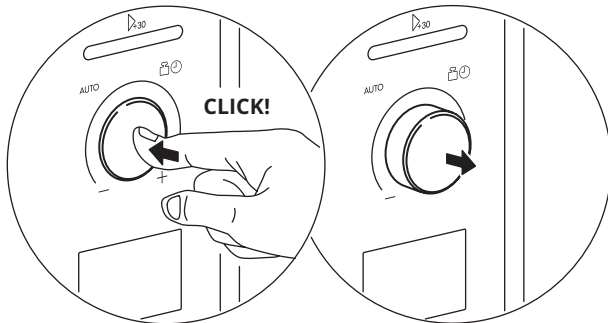
INSTRUCTION

-  Microwave
-  Kitchen timer/Clock
-  Start/+30 Sec/Confirm
-  Time
-  Weight/Time Defrost
-  Stop/Clear
- AUTO Auto Menu

Using the microwave oven

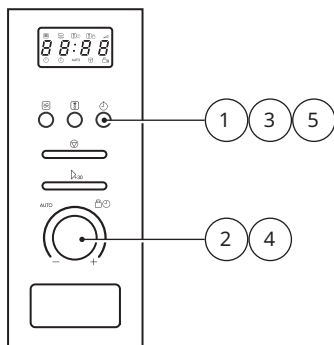
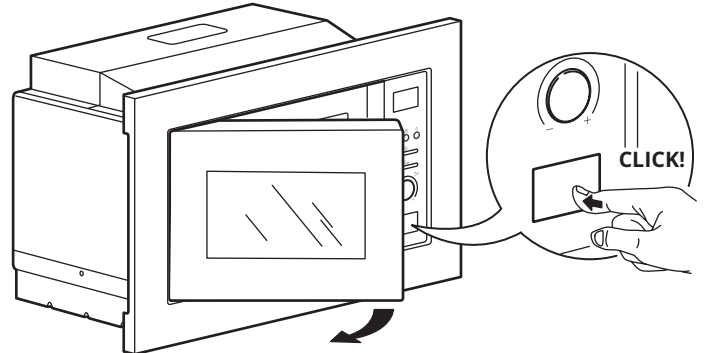
Using the knob

To use the selection knob, push it inwards and it will pop out.



Open the door

Push the button to open the door.



Clock setting

When the microwave oven is electrified, the screen will display "0:00", buzzer will ring once.

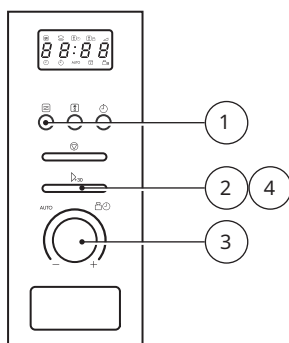
1. Press **Kitchen timer/Clock** twice to select clock function, the hour figures will flash.
2. Turn knob to adjust the hour figures, the input time should be within 0--23.
3. Press **Kitchen timer/Clock**, the minute figures will flash, the hour figures will light.
4. Turn knob to adjust the minute figures, the input time should be within 0--59.
5. Press **Kitchen timer/Clock** to finish clock setting, : will flash.

Note: During the process of clock setting, if you do not press **Kitchen timer/Clock** to confirm in 1 minute, the oven will go back to previous status automatically.

Lock-out function for children

Lock: In waiting state, press **Stop/Clear** for 3 seconds, there will be a long "beep" denoting entering the children-lock state and screen will display [] or current time.

Lock quitting: In locked state, press **Stop/Clear** for 3 seconds, there will be a long "beep" denoting that the lock is released.



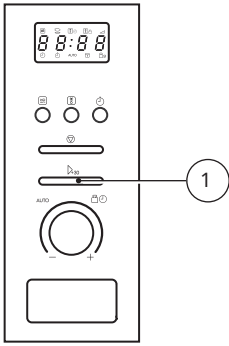
Microwave cooking

1. Press **Microwave** once, the screen will display **80** flickering. Press **Microwave** repeatedly or turn the knob to choose the power you want.
2. Then press **Start/+30 Sec** to confirm selected power level.
3. Turn knob to set cooking time from 0:05 to 95:00.
4. Press **Start/+30 Sec** again to start cooking.

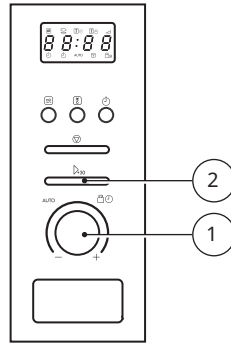
Note: The time steps for the time when turning the knob are as follow:

0---1 min	: 5 seconds
1--- 5min	: 10 seconds
5---10 min	: 30 seconds
10---30 min	: 1 minute
30---95 min	: 5 minutes

Quick start alternative 1



Quick start alternative 2



Quick start alternative 1

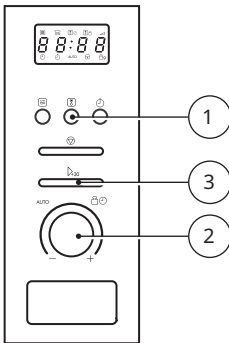
1. In stand by mode, press Δ_{+30} **Start/+30 Sec** to start cooking with full power for 30 seconds, each added press will increase 30 seconds cooking time up to 95 minutes.

Quick start alternative 2

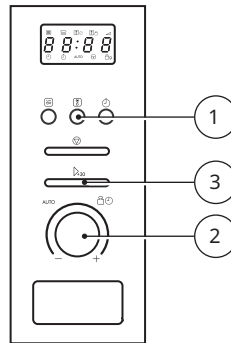
1. In stand by mode, turn the knob \odot to the right to set the time.
2. Press Δ_{+30} **Start/+30 Sec** to start cooking at full microwave power.

Note: In microwave or time defrost state, each press of Δ_{+30} **Start/+30 Sec** can increase 30 seconds of cooking time.

Defrost by weight



Defrost by time



Defrost by weight

1. Press $\text{[Weight/Time Defrost]}$ **Weight/Time Defrost** once, and the oven will display **dEF1**.
2. Turn the knob \odot to select the weight of food from 100 to 2000g.
3. Press Δ_{+30} **Start/+30 Sec** to start defrosting.

Defrost by time

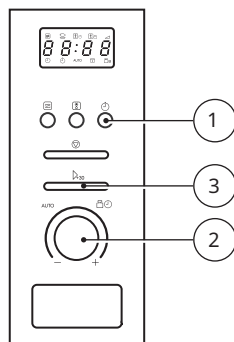
1. Press $\text{[Weight/Time Defrost]}$ **Weight/Time Defrost** twice, and the oven will display **dEF2**.
2. Turn the knob \odot to select the defrost time. The MAX. time is 95 minutes.
3. Press Δ_{+30} **Start/+30 Sec** to start defrosting.

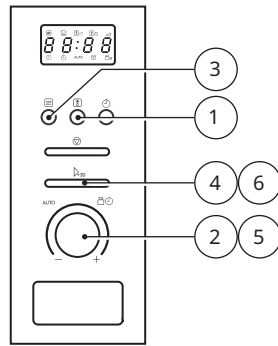
The product will prompt you to turn the food after half of the time set for defrosting. Open the door and turn the food, shut the door and press Δ_{+30} **Start/+30 Sec** to continue the defrosting.

Kitchen timer

1. Press $\text{[Kitchen timer/Clock]}$ **Kitchen timer/Clock** once, screen will display **00:00**, clock indicator will light.
2. Turn the knob \odot to enter the correct time. (Maximum time to set is 95 minutes.)
3. Press Δ_{+30} **Start/+30 Sec** to confirm setting, clock indicator will be flickering.

When the kitchen time is reached, clock indicator will go out and the buzzer will ring 5 times.



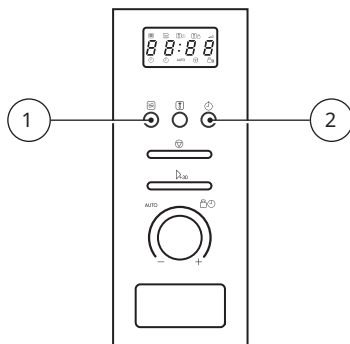


The product can be set to perform a multi stage cooking, defrosting followed by reheating:

Multi-section cooking

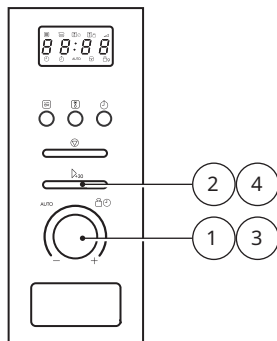
1. Press **Weight/Time Defrost** twice, and the oven will display **dEF2**.
2. Turn the knob to select the defrost time.
3. Press **Microwave** once, the screen will display **80**, repeatedly push the button or turn the knob to set the requested microwave power.
4. Press **Start/+30 Sec** to confirm power setting.
5. Turn the knob to select cooking time.
6. Press **Start/+30 Sec** to start cooking.

The product will prompt you to turn the food after half of the time set for defrosting. Open the door and turn the food, shut the door and press **Start/+30 Sec** to continue the defrosting. The buzzer will sound once again entering the second cooking. When cooking finishes, buzzer sound five times.



Inquiring function

1. In state of microwave cooking, press **Microwave**, the current power will be displayed for 3 seconds.
2. In cooking state, press **Kitchen timer/Clock** to inquire the time of the day, the time will be displayed for 3 seconds.



Auto menu

1. Turn the knob "A" left to choose the menu, and **A-1 to A-8** will display.
2. Press **Start/+30 Sec** to confirm selected food.
3. Turn the knob "A" to choose the default weight as the menu chart.
4. Press **Start/+30 Sec** to start cooking.

MENU	WEIGHT	DISPLAY
A-1 Pizza	200g	200
	400g	400
A-2 Meat	250g	250
	350g	350
	450g	450
A-3 Vegetable	200g	200
	300g	300
	400g	400
A-4 Pasta	50g (with 450g cold water)	50
	100g (with 800g cold water)	100
A-5 Potato	200g	200
	400g	400
	600g	600
A-6 Fish	250g	250
	350g	350
	450g	450
A-7 Beverage	1 cup (120ml)	1
	2 cups (240ml)	2
	3 cups (360ml)	3
A-8 Popcorn	50g	50
	100g	100

Note: The Foodclasses can also be found on the label inside the door.

Trouble shooting

Normal	
Microwave oven interfering TV reception	Radio and TV reception may be interfered when microwave oven operating. It is similar to the interference of small electrical appliances, like mixer, vacuum cleaner, electric fan. It is normal.
Dim oven light	In low power microwave cooking, oven light may become dim. It is normal.
Steam accumulating on door, hot air out of vents.	In cooking, steam may come out of food. Most will get out from vents, but some may accumulate on cool place like oven door. It is normal.
Oven started accidentally with no food in.	<i>It is forbidden to run the unit without any food inside. It is very dangerous.</i>

Trouble	Possible cause	Remedy
Oven can not be started.	(1) Power cord not plugged tightly.	Unplug the cord. Wait 10 seconds and plug it again.
	(2) Fuse blowing or circuit breaker works.	Replace fuse or reset circuit breaker (repaired by professional personnel of our company)
	(3) Trouble with outlet.	Test outlet with other electrical appliances.
Oven does not heat	(4) Door not closed well.	Close door well.

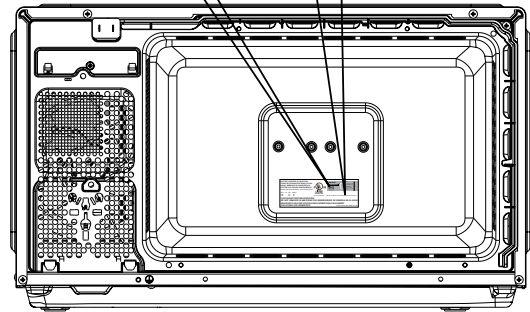
Specifications

Model:	LAGAN 90609499	LAGAN 10609506
Rated Voltage:	220V~60Hz	230-240V~50Hz
Rated Input Power (Microwave):	1250W	
Rated Output Power (Microwave):	800W	
Oven Capacity:	20L	
Turnable Diameter:	Ø 245mm	
External Dimensions:	595x344x394mm	
Net Weight:	15kg	

Serial Number (start with SN, 22-digit code)

Serial number:xxxxxxxxxxxxxxxxxxxxxx

Article Number (8-digit code)



Picture for reference only

Installation and connection

1. This appliance is only intended for domestic use.
2. This oven is intended for built-in use only. It is not intended for counter-top use or for use inside a cupboard.
3. Please observe the special installation instructions.
4. The appliance can be installed in a 60cm wide wall-mounted cupboard.
5. The appliance is fitted with a plug and must only be connected to a properly installed earthed socket.
6. The mains voltage must correspond to the voltage specified on the rating plate.
7. The socket must be installed and connecting cable must only be replaced by a qualified electrician. If the plug is no longer accessible following

installation, an all-pole disconnecting device must be present on the installation side with a contact gap of at least 3mm.

8. Adapters, multi-way strips and extension leads must not be used. Overloading can result in a risk of fire.
9. The product should not be mounted below 85cm.



The accessible surface maybe hot during operation.

Environmental concerns



According to Waste of Electrical and Electronic Equipment (WEEE) directive, WEEE should be separately collected and treated. If at any time in future you need to dispose of this product please do not dispose of this product with household waste. Please send this product to WEEE collecting points where available.

Ikea guarantee

How long is the IKEA guarantee valid?

This guarantee is valid for five (5) years from the original date of purchase of your appliance at IKEA. The original sales receipt is required as proof of purchase. If service work is carried out under guarantee, it will not extend the guarantee period for the appliance.

Which LAGAN appliances are not covered by the IKEA 5-year guarantee?

LAGAN appliances purchased from IKEA before 1 May 2026 are covered by a 2-year guarantee, starting from the original date of purchase.

Who will execute the service?

IKEA service provider will provide the service through its own service operations or authorized service partner network.

What does this guarantee cover?

The guarantee covers faults of the appliance, which have been caused by faulty construction or material faults from the date of purchase from IKEA. This guarantee applies to domestic use only. The exceptions are specified under the headline "What is not covered under this guarantee?" Within the guarantee period, the costs to remedy the fault e.g. repairs, parts, labour and travel will be covered, provided that the appliance is accessible for repair without special expenditure. On these conditions the respective local regulations are applicable. Replaced parts become the property of IKEA.

What will IKEA do to correct the problem?

IKEA appointed Service Provider will examine the product and decide, at its sole discretion, if it is covered under this guarantee. If considered covered, IKEA Service Provider or its authorized service partner through its own service operations, will then, at its sole discretion, either repair the defective product or replace it with the same or a comparable product.

What is not covered under this guarantee?

- Normal wear and tear.
- Deliberate or negligent damage, damage caused by failure to observe operating instructions, incorrect installation or by connection to the wrong voltage, damage caused by chemical or electro-chemical reaction, rust, corrosion or water damage including but not limited to damage caused by excessive lime in the water supply, damage caused by abnormal environmental conditions.
- Consumable parts including batteries and lamps.
- Non-functional and decorative parts which do not affect normal use of the appliance, including any scratches and possible color differences.
- Accidental damage caused by foreign objects or substances and cleaning or unblocking of filters, drainage systems or soap drawers.
- Damage to the following parts: ceramic glass, accessories, crockery and cutlery baskets, feed and drainage pipes, seals, lamps and lamp covers, screens, knobs, casings and parts of casings. Unless such damages can be proved to have been caused by production faults.
- Cases where no fault could be found during a technician's visit.
- Repairs not carried out by our appointed service providers and/or an authorized service contractual partner or where non-original parts have been used.
- Repairs caused by installation which is faulty or not according to specification.
- The use of the appliance in a non-domestic environment i.e. professional use.
- Transportation damages. If a customer transports the product to his home or another address, IKEA is not liable for any damage that may occur during transport. However, if IKEA delivers the product to the customer's delivery address, then damage to the product that occurs during this delivery will be covered by IKEA.
- Cost for carrying out the initial installation of the IKEA appliance.
- However, if an IKEA appointed Service Provider or its authorized service partner repairs or replaces the appliance under the terms of this guarantee, the appointed Service Provider or its authorized service partner will reinstall the repaired appliance or install the replacement, if necessary.
- All plumbing and electrical installation, are not the responsibility of IKEA, and customer must complete these work before the execution work.

How country law applies

The IKEA guarantee gives you specific legal rights, which cover or exceed all the local legal demands. However these conditions do not limit in any way consumer rights described in the local legislation.

Area of validity

This warranty is valid only in the country where the product has been purchased; the services will be provided in the framework of the guarantee conditions. An obligation to carry out services in the framework of the guarantee exists only if the appliance complies and is installed in accordance with:

- the technical specifications of the country in which the guarantee claim is made;
- the Assembly Instructions and User Manual Safety Information;

The dedicated AFTER SALES for IKEA appliances

Please don't hesitate to contact IKEA appointed Authorized Service Centre to:

- make a service request under this guarantee;
- ask for clarifications on installation of the IKEA appliance in the dedicated IKEA kitchen furniture;
- ask for clarification on functions of IKEA appliances.

To ensure that we provide you with the best assistance, please read carefully the Assembly Instructions and/or the User Manual before contacting us.

How to reach us if you need our service



The IKEA after sales customer service center will assist you on the phone with basic trouble-shooting for your appliances at the time of service call request. Please refer to

www.IKEA.com

and select your local store for local store phone numbers and opening times.

Before calling us, assure that You have to hand the IKEA article number (8 digit code) and the Serial Number (8 digit code that can be found on the rating plate) for the appliance of which you need our assistance.

i SAVE THE SALES RECEIPT! It is

It is your proof of purchase and required for the guarantee to apply. Note that the receipt reports also the IKEA article name and number (8 digit code) for each of the appliances you have purchased.

Do you need extra help?

For any additional questions not related to After Sales of your appliances please contact your nearest IKEA store call centre. We recommend you read the appliance documentation carefully before contacting us.

