

LAGAN

en
zh



Design and Quality
IKEA of Sweden



For the IKEA appointed Authorized Service Centre, please refer to the IKEA catalogue or **www.IKEA.com** and select your local store for phone numbers and opening times.



如需IKEA指定授權服務中心的相關資訊,請參考 IKEA型錄或造訪 **www.IKEA.com** 並選擇當地分店以取得電話號碼和營業時間。

ENGLISH
繁體中文

5
18

Table of contents

Safety Information	5	Cleaning and maintenance	12
Product description	7	What to do if ...	13
Control panel	7	After-Sales Service	14
First Use	7	Technical Data	15
Loading the racks	9	Environmental concerns	15
Daily Use	10	Installation	16
Programs table	11	IKEA GUARANTEE	17

Safety Information

Before using the appliance, read these safety instructions. Keep them nearby for future reference.

These instructions and the appliance itself provide important safety warnings, to be observed at all times. The manufacturer declines any liability for failure to observe these safety instructions, for inappropriate use of the appliance or incorrect setting of controls.

⚠ Very young children (0-3 years) should be kept away from the appliance. Young children (3-8 years) should be kept away from the appliance unless continuously supervised. Children from 8 years old and above and persons with reduced physical, sensory or mental capabilities or lack of experience and knowledge can use this appliance only if they are supervised or have been given instructions on safe use and understand the hazards involved. Children must not play with the appliance. Cleaning and user maintenance must not be carried out by children without supervision.

PERMITTED USE

⚠ CAUTION: the appliance is not intended to be operated by means of an external switching device, such as a timer, or separate remote controlled system.

⚠ This appliance is intended to be used in household and similar applications such as: staff kitchen areas in shops, offices and other working environments; farm houses; by clients in hotels, motels, bed & breakfast and other residential environments.

⚠ This appliance is not for professional use. Do not use the appliance outdoors.

⚠ The maximum number of place settings is shown in the product sheet.

⚠ The door should not be left in the open position - risk of tripping. The open appliance door can only support the

weight of the loaded rack when pulled out. Do not rest objects on the door or sit or stand on it.

⚠ WARNING: Dishwasher detergents are strongly alkaline. They can be extremely dangerous if swallowed. Avoid contact with the skin and eyes and keep children away from the dishwasher when the door is open. Check that the detergent receptacle is empty after completion of the wash cycle.

⚠ WARNING: Knives and other utensils with sharp points must be loaded in the basket with their points down or placed in a horizontal position - risk of cuts.

⚠ Do not store explosive or flammable substances (e.g. gasoline or aerosol cans) inside or near the appliance - risk of fire. The appliance must be used only to wash domestic dishes in accordance with the instructions in this manual. The water in the appliance is not potable. Use only detergent and rinse additives designed for an automatic dishwasher. When adding a water softener (salt), run one cycle immediately with the machine empty, to avoid corrosion damage to internal parts. Store the detergent, rinse aid and salt out of reach of children. Shut off the water supply and unplug or disconnect the power before servicing and maintenance. Disconnect the water and electricity supply in the event of any malfunction.

INSTALLATION

⚠ The appliance must be handled and installed by two or more persons - risk of injury. Use protective gloves to unpack and install - risk of cuts.

⚠ Installation, including water supply (if any), electrical connections and repairs must be carried out by a qualified technician. Do not repair or replace any part of the appliance unless specifically stated in the user manual. Keep children

away from the installation site. After unpacking the appliance, make sure that it has not been damaged during transport. In the event of problems, contact the dealer or your nearest After-sales Service. Once installed, packaging waste (plastic, styrofoam parts etc.) must be stored out of reach of children - risk of suffocation. The appliance must be disconnected from the power supply before any installation operation - risk of electrical shock. During installation, make sure the appliance does not damage the power cable - risk of fire or electrical shock. Only activate the appliance when the installation has been completed. Connect the dishwasher to the water mains using only new hose sets. The old hose sets should not be reused. All hoses must be securely clamped to prevent them coming loose during operation. All local waterboard regulations must be complied with.

Water supply pressure 0.05 - 1.0 MPa. The appliance must be placed against the wall or built into furniture to limit the access to its rearside.

For dishwashers having ventilation openings in the base, the openings must not be obstructed by a carpet.

If installing the dishwasher at the end of a row of units making the side panel accessible, the hinge area must be covered to avoid risk of injury.

The inlet water temperature depends on the dishwasher model. If the installed inlet hose is marked "25°C Max", the maximum allowed water temperature is 25°C. For all other models the maximum allowed water temperature is 60°C. Do not cut hoses and, in the case of appliances fitted with a waterstop system, do not immerse the plastic casing containing the inlet hose in water. If hoses are not long enough, contact your local dealer. Make sure the inlet and drain hoses are kink-free and are not crushed. Before using the appliance for the first time, check the water inlet and drain hose for leaks. Make sure that the four feet are stable and resting on the floor, adjusting them as required, and check that the dishwasher is perfectly levelled using a spirit level.

⚠ Use the appliance only when the covers shown on diagram 19 in the Assembly instruction are correctly assembled - risk of injury.

ELECTRICAL WARNINGS

The rating plate is on the edge of the dishwasher door (visible when the door is open).

⚠ It must be possible to disconnect the appliance from the power supply by unplugging it if plug is accessible, or by a multi-pole switch installed upstream of the socket in accordance with the wiring rules and the appliance must be earthed in conformity with national electrical safety standards.

⚠ Do not use extension leads, multiple sockets or adapters. The electrical components must not be accessible to the user after installation. Do not use the appliance when you are wet or barefoot. Do not operate this appliance if it has a damaged power cable or plug, if it is not working properly, or if it has been damaged or dropped.

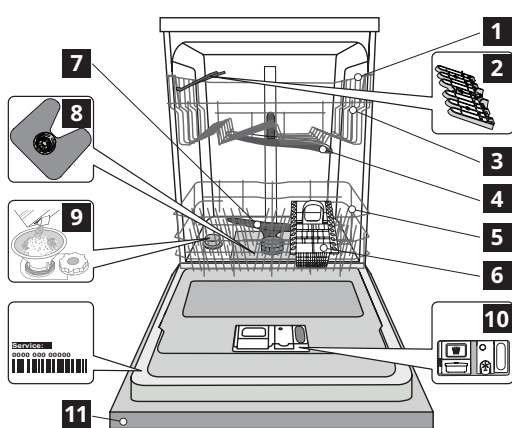
⚠ If the supply cord is damaged, it must be replaced with an identical one by the manufacturer, its service agent or similarly qualified persons in order to avoid a hazard - risk of electrical shock.

If the fitted plug is not suitable for your socket outlet, contact a qualified technician. Do not pull the power supply cable. Do not immerse the mains cord or plug in water. Keep the cord away from hot surfaces.

CLEANING AND MAINTENANCE

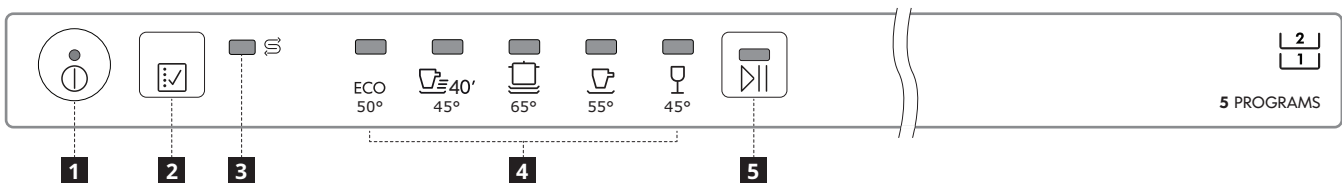
⚠ WARNING: Ensure that the appliance is switched off and disconnected from the power supply before performing any maintenance operation. To avoid risk of personal injury use protective gloves (risk of laceration) and safety shoes (risk of contusion); be sure to handle by two persons (reduce load); never use steam cleaning equipment (risk of electric shock). Non-professional repairs not authorized by the manufacturer could result in a risk to health and safety, for which the manufacturer cannot be held liable. Any defect or damage caused from nonprofessional repairs or maintenance will not be covered by the guarantee, the terms of which are outlined in the document delivered with the unit.

Product description



- 1 Upper rack
- 2 Foldable flaps
- 3 Upper rack height adjuster
- 4 Upper sprayer arm
- 5 Lower rack
- 6 Cutlery basket
- 7 Lower sprayer arm
- 8 Filter Assembly
- 9 Salt reservoir
- 10 Detergent and Rinse Aid dispensers
- 11 Control panel

Control panel



- 1 On-Off/Reset button with indicator light
- 2 Program selection button
- 3 Salt refill indicator light
- 4 Program indicator lights
- 5 START/Pause button with indicator light

First Use


Advice regarding the first time use

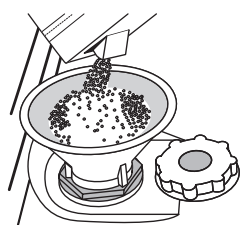
Before installation and first usage of the appliance please read carefully „ SAFETY INSTRUCTION“ and „ASSEMBLY INSTRUCTION“ available in the product literature bag. Please remember to remove all transport protection parts from the dishwasher.

Filling the salt reservoir

The use of salt prevents the formation of LIMESCALE on the dishes and on the machine's functional components.

- It is mandatory that **THE SALT RESERVOIR BE NEVER EMPTY.**
- It is important to set the water hardness.

The salt reservoir is located in the lower part of the dishwasher (see PRODUCT DESCRIPTION) and should be filled when the SALT REFILL indicator light  in the control panel is lit.



1. Remove the lower rack and unscrew the reservoir cap (anticlockwise).
2. Position the funnel (see figure) and fill the salt reservoir right up to its edge (approximately 1 kg); it is not unusual for a little water to leak out.
3. **Only the first time you do this: fill the salt reservoir with water.**
4. Remove the funnel and wipe any salt residue away from the opening.

Make sure the cap is screwed on tightly, so that no detergent can get into the container during the wash program (this could damage the water softener beyond repair).

As soon as this procedure is complete, run a program without loading. The "Pre-Wash" program alone is NOT sufficient. Residual saline solution or grains of salt can lead to corrosion, irreparably damaging the stainless steel components. The guarantee is not applicable if faults are caused by such circumstances.

Only use salt that has been specifically designed for dishwashers. If the salt container is not filled, the water softener and the heating element may be damaged as a result of limescale accumulation. Using of Salt is recommended with any type of dishwasher detergent. Whenever you need to add salt, it is mandatory to complete the procedure before the beginning of the washing cycle to avoid corrosion.

Setting the water hardness

To allow the water softener to work in a perfect way, it is essential that the water hardness setting is based on the actual water hardness in your house. This information can be obtained from your local water supplier. The factory sets the default value for the water hardness.

- Switch on the appliance by pressing the ON/OFF button.
- Switch off the appliance by pressing the ON/OFF button.
- Hold down button [] for 5 seconds, until you hear a beep.
- Switch on the appliance by pressing quickly the ON/OFF button.
- The program indicator light of the current set level flashes.
- Press button [] to select the desired hardness level (see WATER HARDNESS TABLE).
- Switch off the appliance by pressing the ON/OFF button.

Setting is complete!

Water Hardness Table			
Level	°dH German degrees	°fH French degrees	°Clark English degrees
1 Soft	0 - 6	0 - 10	0 - 7
2 Medium	7 - 11	11 - 20	8 - 14
3 Average	12 - 16	21 - 29	15 - 20
4 Hard	17 - 34	30 - 60	21 - 42
5 Very hard	35 - 50	61 - 90	43 - 62

Water Softening System

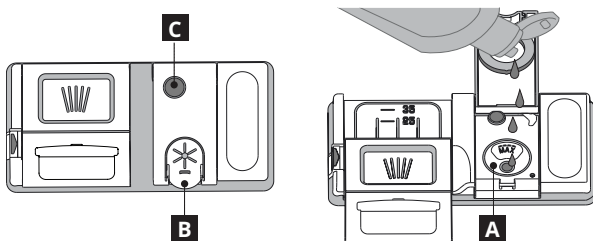
Water softener automatically reduces water hardness, consequently preventing scale buildup on heater, contributing also to better cleaning efficiency. This system regenerates itself with salt, therefore it is required to refill salt container when empty. Frequency of regeneration depends on water hardness level setting - regeneration takes place once per 6 Eco cycles with water hardness level set to 3.

Regeneration process starts in final rinse and finishes in drying phase, before cycle ends.

- Single regeneration consumes: ~3.5 L of water;
- Takes up to 5 additional minutes for the cycle;
- Consumes below 0.005 kWh of energy.

Filling the rinse aid dispenser

Rinse aid makes dish DRYING easier. The rinse aid dispenser **A** should be filled when when the dark optical indicator on the dispenser door **C** becomes transparent.



1. Open the dispenser **B** by pressing and pulling up the tab on the lid.
2. Carefully introduce the rinse aid as far as the maximum (110 ml) reference notch of the filling space - avoid spilling it. If this happens, clean the spill immediately with a dry cloth.
3. Press the lid down until you hear a click to close it.

NEVER pour the rinse aid directly into the tub.

Adjusting the dosage of rinse aid

If you are not completely satisfied with the drying results, you can adjust the quantity of rinse aid used.

- Switch the dishwasher on using the ON/OFF button.
- Switch it off using the ON/OFF button.
- Press button [] three times - a beep will be heard.
- Switch it on using the ON/OFF button.
- The program indicator light of the current set level flashes.
- Press button [] to select the level of rinse aid quantity to be supplied.
- Switch it off using the ON/OFF button.

Setting is complete!

If the rinse aid level is set to 1 (ECO), no rinse aid will be supplied. The LOW RINSE AID indicator light will not be lit if you run out of rinse aid. A maximum of 5 levels can be set according to the dishwasher model. The factory setting is specific to the model, please follow instruction above to check this for your machine.

- If you see bluish streaks on the dishes, set a low number (2-3).
- If there are drops of water or limescale marks on the dishes, set a high number (4-5).

Filling the detergent dispenser

Usage of detergent not designed for dishwashers may cause malfunction or damage to the appliance.

To achieve the best washing and drying results, the combined use of detergent, rinse aid liquid and refined salt is required. We recommend using detergents that do not contain phosphates or chlorine, as these products are harmful to the environment.

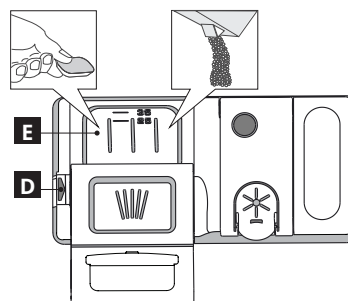
Good washing results also depend on the correct amount of detergent being used.

Exceeding the stated amount does not result in a more effective wash and increases environmental pollution.

The amount can be adjusted to the soil level. In the case of normally soiled items, use approximately either 35g (powder detergent) or 35ml (liquid detergent) and additional tea spoon of detergent directly inside the tub. If tablets are used, one tablet will be enough.

If the crockery is only lightly soiled or if it has been rinsed with water before being placed in the dishwasher, reduce the amount of detergent used accordingly (minimum 25 g/ml) e.g. skip the powder/gel putted inside the tub.

To open the detergent dispenser press button **D. Introduce the detergent into the dry dispenser **E** only. Place the amount of detergent for pre-washing directly inside the tub.**



1. When measuring out the detergent refer to the mentioned earlier information to add the proper quantity. Inside the dispenser **E** there are indications to help the detergent dosing.
2. Remove detergent residues from the edges of the dispenser and close the cover until it clicks.
3. Close the lid of the detergent dispenser by pulling it up until the closing device is secured in place.

The detergent dispenser automatically opens up at the right time according to the program.

Loading the racks

TIPS

Before loading the baskets, remove all food residues from the crockery and empty the glasses. You do not need to rinse beforehand under running water.

Arrange the crockery so that it is held in place firmly and does not tip over; and arrange the containers with the openings facing downwards and the concave/convex parts placed obliquely, thus allowing the water to reach every surface and flow freely.

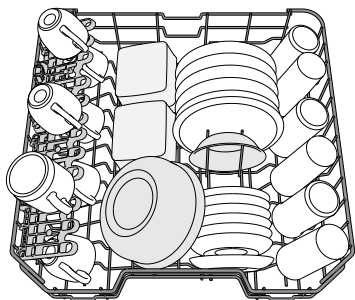
Warning: lids, handles, trays and frying pans do not prevent the sprayer arms from rotating.

Place any small items in the cutlery basket. Very soiled dishes and pans should be placed in the lower basket because in this sector the water sprays are stronger and allow a higher washing performance.

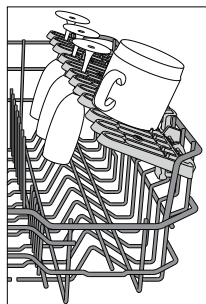
After loading the appliance, make sure that the sprayer arms can rotate freely.

Upper rack

Load delicate and light dishes: glasses, cups, saucers, low salad bowls.



(loading example for the upper rack)

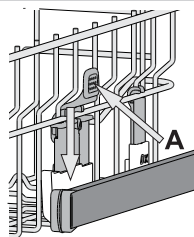
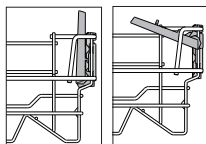


Foldable flaps with adjustable position

The side foldable flaps can be fold or unfold to optimize the arrangement of crockery inside the rack.

Wine glasses can be placed safely in the foldable flaps by inserting the stem of each glass into the corresponding slots. Depending on the model:

- to unfold the flaps there is needed to slide it up and rotate or release it from the snaps and pull it down.
- to fold the flaps there is needed to rotate it and slide flaps down or pull it up and attach flaps to the snaps.



Adjusting the height of the upper rack

The height of the upper rack can be adjusted: high position to place bulky crockery in the lower basket and low position to make the most of the tip-up supports by creating more space upwards and avoid collision with the items loaded into lower rack.

The upper rack is equipped with a **Upper Rack height adjuster** (see figure), without pressing the levers, lift it up by simply holding the rack sides, as soon as the rack is stable in its upper position.

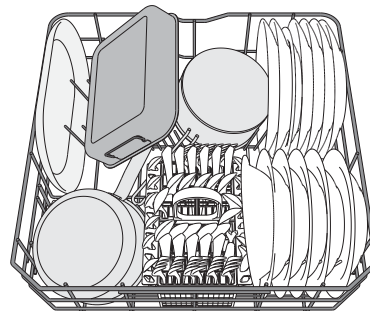
To restore to the lower position, press the levers **A** at the sides of the rack and move the basket downwards.

We strongly recommend that you do not adjust the height of the rack when it is loaded.

NEVER raise or lower the basket on one side only.

Lower rack

For pots, lids, plates, salad bowls, cutlery etc. Large plates and lids should ideally be placed at the sides to avoid interferences with the spray arm.

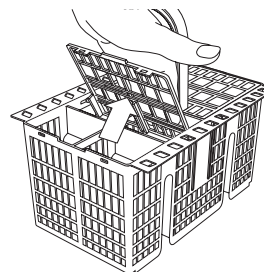


(loading example for the lower rack)

Cutlery basket

The basket is equipped with top grilles for improved cutlery arrangement. The cutlery basket should be positioned only at the front of the lower rack.

Knives and other utensils with sharp edges must be placed in the cutlery basket with the points facing downwards or they must be positioned horizontally in the tip-up compartments on the upper rack.



Unsuitable crockery

- Wooden crockery and cutlery.
- Delicate decorated glasses, artistic handicraft and antique crockery. Their decorations are not resistant.
- Parts in synthetic material which do not withstand high temperatures.
- Copper and tin crockery.
- Crockery soiled with ash, wax, lubricating grease or ink.

The colours of glass decorations and aluminium/silver pieces can change and fade during the washing process. Some types of glass (e.g. crystal objects) can become opaque after a number of wash cycles too.

Damage to glass and crockery

- Only use glasses and porcelain guaranteed by the manufacturer as dishwasher safe.
- Use a delicate detergent suitable for crockery
- Collect glasses and cutlery from the dishwasher as soon as the wash cycle is over.

Hygiene

To avoid odour and sediment which can be accumulated in the dishwasher please run a high temperature program at least once a month. Use a tea spoon of detergent and run it without the loading to clean your appliance.

TIPS ON ENERGY SAVING

- When the household dishwasher is used according to the manufacturer's instructions, **washing tableware in a dishwasher usually consumes less energy and water than hand dishwashing.**
- In order to maximize dishwasher efficiency it is recommended to **initiate the wash cycle once dishwasher is fully loaded.** Loading the household dishwasher up to the capacity indicated by the manufacturer will contribute to energy and water savings. Information on correct loading of tableware can be found in Loading chapter. Incorrect loading or overloading the dishwasher may increase resources usage (such as water, energy and time, as well as increase noise level), reducing cleaning and drying performance.
- Manual pre-rinsing of tableware items leads to increased water and energy consumption and is not recommended.

Daily Use**1. CHECK WATER CONNECTION**

Check that the dishwasher is connected to the water supply and that the tap is open.


2. SWITCH ON THE DISHWASHER

Open the door and press the ON/OFF button.

3. LOAD THE RACKS (see LOADING THE RACKS)**4. FILLING THE DETERGENT DISPENSER**

(see FILLING THE DETERGENT DISPENSER).

5. CHOOSE THE PROGRAM AND CUSTOMISE THE CYCLE

Select the most appropriate program in accordance with the type of crockery and its soiling level (see PROGRAMS DESCRIPTION) by pressing the  button.

6. START

Start the wash cycle by pressing START/Pause button (led is lit) and closing the door within 4 sec. When the program starts you hear a single beep. If the door was not closed within 4sec., the alarm sound will be played. In this case, open the door, press START/Pause button and close the door again within 4 sec.

7. END OF WASH CYCLE

The end of the wash cycle is indicated by beeps and by the flashing of the indicator light of the selected program. Open the door and switch off the appliance by pressing the ON/OFF button.

Wait for a few minutes before removing the crockery - to avoid burns. Unload the racks, beginning with the lower one.

The machine will switch off automatically during certain extended periods of inactivity, in order to minimise electricity consumption. If the crockery is only lightly soiled or if it has been rinsed with water before being placed in the dishwasher, reduce the amount of detergent used accordingly.

Modifying a running program

If a wrong program was selected, it is possible to change it, provided that it has only just begun: open the door, press and hold the ON/OFF button, the machine will switch off. Switch the machine back on using the ON/OFF button and select the new wash cycle; Start the wash cycle by pressing START/Pause button and closing the door within 4 sec.

If it takes more than 4 seconds the appliance automatically pauses and you must restart the appliance again by repeating the last operation.





Adding extra crockery

Without switching off the machine, open the door (START/Pause led starts blinking) (**be aware of HOT steam!**) and place the crockery inside the dishwasher. Press the START/Pause button and close the door within 4 sec., the cycle will resume from the point at which it was interrupted.

Accidental interruptions

If the door is opened during the wash cycle, or if there is a power cut, the cycle pauses. Press the START/Pause button and close the door within 4 sec., the cycle will resume from the point at which it was interrupted.

Programs table

Program			Drying phase	Duration of wash program (h:min)*	Water consumption (litres/cycle)	Energy consumption (kWh/cycle)
1 Eco	ECO	50°	✓	3:35	9.5	0.95
2 Fast Wash 40'	 40'	45°	-	0:40	9.0	0.50
3 Intensive		65°	✓	2:40	18.0	1.60
4 Mixed		55°	✓	2:15	16.0	1.40
5 Glass		45°	✓	1:40	11.5	1.20

ECO program data is measured under laboratory conditions according to European Standard EN 60436:2020.

Note for Test Laboratories: For information on comparative EN testing conditions, please send an email to the following address:

dw_test_support@whirlpool.com

Pre-treatment of the dishes is not needed before any of the programs.

*) Values given for programmes other than the eco program are indicative only. The actual time may vary depending on many factors such as temperature and pressure of the incoming water, room temperature, amount of detergent, quantity and type of load, load balancing, additional selected options and sensor calibration.

- 1. ECO** - Eco program is suitable to clean normally soiled tableware, that for this use, it is the most efficient program in terms of its combined energy and water consumption, and that it is used to assess compliance with the EU Ecodesign legislation.
- 2. FAST WASH 40'** - Program for limited quantity of normally soiled crockery. Ensures optimal cleaning performance in shorter time.
- 3. INTENSIVE** - Program recommended for heavily soiled crockery, especially suitable for pans and saucepans (not to be used for delicate items).
- 4. MIXED** - Mixed soil. For normally soiled dishes with dried food residues.
- 5. GLASS** - Program for delicate items, which are more sensitive to high temperatures, for example glasses and cups.

Cleaning and maintenance

ATTENTION: Always unplug the appliance when cleaning it and when performing maintenance work. Do not use flammable liquids to clean the machine.

Cleaning the dishwasher

Any marks on the inside of the appliance may be removed using a cloth dampened with water and a little vinegar.

The external surfaces of the machine and the control panel can be cleaned using a non-abrasive cloth which has been dampened with water. Do not use solvents or abrasive products.

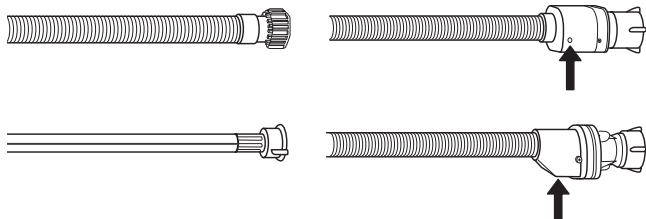


Preventing unpleasant odours

Always keep the door of the appliance ajar in order to avoid moisture from forming and being trapped inside the machine. Clean the seals around the door and detergent dispensers regularly using a damp sponge. This will avoid food becoming trapped in the seals, which is the main cause behind the formation of unpleasant odours.

Checking the water supply hose

Check the inlet hose regularly for brittleness and cracks. If damaged, replace it by a new hose available through our After-Sales Service or your specialist dealer. Depending on the hose type:



If the inlet hose has a transparent coating, periodically check if the colour intensifies locally. If yes, the hose may have a leak and should be replaced.

For water stop hoses: check the small safety valve inspection window (see arrow). If it is red, the water stop function was triggered, and the hose must be replaced by a new one.

For unscrewing this hose, press the release button while unscrewing the hose.

Cleaning the water inlet hose

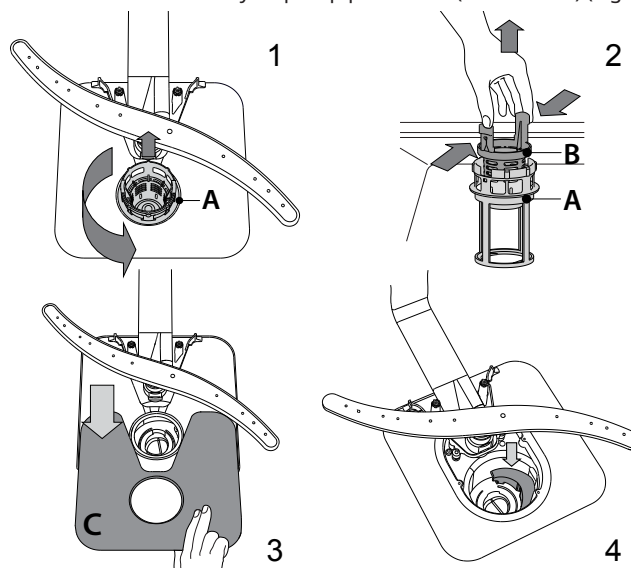
If the water hoses are new or have not been used for an extended period of time, let the water run to make sure it is clear and free of impurities before performing the necessary connections. If this precaution is not taken, the water inlet could become blocked and damage the dishwasher.

Cleaning the filter assembly

Regularly clean the filter assembly so that the filters do not clog and that the waste water flows away correctly. Using dishwasher with clogged filters or foreign objects inside filtration system or sprayarms may cause unit malfunction resulting in loss of performance, noisy work or higher resources usage. The filter assembly consists of three filters which remove food residues from the washing water and then recirculate the water. **The dishwasher must not be used without filters or if the filter is loose.**

At least once per month or after each 30 cycles, check the filter assembly and if necessary clean it thoroughly under running water, using a non-metallic brush and following the instructions below:

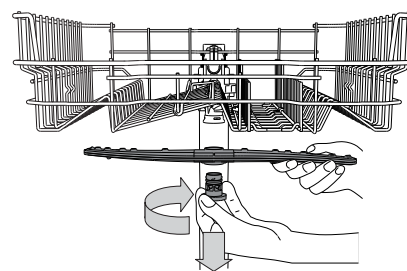
1. Turn the cylindrical filter **A** in an anti-clockwise direction and pull it out (Fig 1).
2. Remove the cup filter **B** by exerting a slight pressure on the side flaps (Fig 2).
3. Slide out the stainless-steel plate filter **C** (Fig 3).
4. In case you find foreign objects (such as broken glass, porcelain, bones, fruit seeds etc.) **please remove them carefully.**
5. Inspect the trap and remove any food residues. **NEVER REMOVE** the wash-cycle pump protection (black detail) (Fig 4).



After cleaning the filters, replace the filter assembly and fix it in position correctly; this is essential for maintaining the efficient operation of the dishwasher.

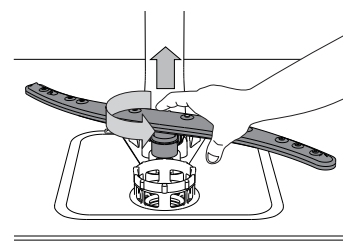
Cleaning the spray arms

On occasions, food residue may become encrusted onto the spray arms and block the holes used to spray the water. It is therefore recommended that you check the arms from time to time and clean them with a small non-metallic brush.



To remove the upper spray arm, turn the plastic locking ring in a clockwise direction. The upper spray arm should be replaced so that the side with the greater number of holes is facing upwards.


The lower spray arm may be removed by pulling it upwards and rotating it anti-clockwise.



What to do if ...



In case your dishwasher doesn't work properly, check if the problem can be solved by going through the following list. For other errors or issues please contact authorized After-sales Service which contact details can be found in the guarantee booklet. Spare parts will be available for a period of either up to 7 or up to 10 years, according to the specific Regulation requirements.
The spare parts can be found: <https://parts-selfservice.whirlpool.com/en/landing>

Problems...	Possible causes...	Solutions...
 Salt indicator is lit	Salt reservoir is empty. (After refill the salt indicator may remain lit for several wash cycles).	Refill reservoir with salt (for more information - see page 7). Adjust water hardness - see table, page 8.
The dishwasher won't start or does not respond to commands.	The appliance has not been plugged in properly.	Insert the plug into the socket.
	Power outage.	For safety reasons, dishwasher will not re-start automatically when power returns. Open dishwasher door, press START/Pause button and close the door within 4 seconds.
	The dishwasher door is not closed.	Vigorously push the door until you hear the "click".
	Cycle is interrupted by door opening for more than 4 seconds.	Press START/Pause and close the door within 4 seconds.
The dishwasher won't drain.	It does not respond to commands.	Switch off the appliance by pressing the ON/OFF button, switch it back on after approximately one minute and restart the program. If problem persists, unplug the appliance for 1 minute, then plug it back in.
	The wash cycle has not finished yet.	Wait until the wash cycle finishes.
	The drain hose is bent.	Check that the drain hose is not bent (see INSTALLATION).
	The sink drain pipe is blocked.	Clean the sink drain pipe.
The dishwasher makes excessive noise.	The filter is clogged up with food residues.	Clean the filter (see CLEANING THE FILTER ASSEMBLY).
	The dishes are rattling against each other.	Position the crockery correctly (see LOADING THE RACKS).
The dishes are not clean.	An excessive amount of foam has been produced.	The detergent has not been measured out correctly or it is not suitable for use in dishwashers (see FILLING THE DETERGENT DISPENSER). Restart the current cycle by switching OFF the dishwasher, then switch it on again, select a new program, press START/Pause and close the door within 4 seconds. Please do not add any detergent.
	The crockery has not been arranged properly.	Arrange the crockery correctly (see LOADING THE RACKS).
	The spray arms cannot rotate freely, being hindered by the dishes.	Arrange the crockery correctly (see LOADING THE RACKS).
	The wash cycle is too gentle and/or detergent efficiency is low.	Select an appropriate wash cycle (see PROGRAMS TABLE).
	An excessive amount of foam has been produced.	The detergent has not been measured out correctly or it is not suitable for use in dishwashers (see FILLING THE DETERGENT DISPENSER).
	The cap on the rinse aid compartment has not been shut correctly.	Make sure the cap of the rinse aid dispenser is closed.
	The filter is soiled or clogged.	Clean the filter assembly (see CLEANING AND MAINTENANCE).
Dishwasher finishes the cycle prematurely.	There is no salt.	Fill the salt reservoir (see FILLING THE SALT RESERVOIR).
	Drain hose positioned too low or siphoning into home sewage system.	Check if end of drain hose is placed at correct height (see INSTALLATION). Check for siphoning into home sewage system, install air admittance valve if necessary.
The dishwasher does not fill the water. All LEDs are blinking rapidly	Air in water supply.	Check water supply for leaks or other issues letting air inside.
	No water in the water supply or the tap is closed.	Make sure there is water in the water supply or the tap running.
	The inlet hose is bent.	Make sure the inlet hose is not bent (see INSTALLATION) reprogram the dishwasher and reboot.
	The sieve in the water inlet hose is clogged; it is necessary to clean it	After having carried out the verification and cleaning, turn off and turn on the dishwasher and restart a new program.

Problems...	Possible causes...	Solutions...
Dishes have not been dried.	Selected program has no drying phase.	Verify in the programs table if the selected program has drying phase.
	Rinse aid has run out or the dosage is not adequate.	Add the rinse aid or adjust the dosage levels higher (see FILLING THE RINSE AID DISPENSER).
	Dishes are made of non-stick or plastic.	The presence of drops of water it is normal (see TIPS).
Dishes and glasses show limescale or a whitish film.	Salt level is too low.	Fill the salt reservoir (see FILLING THE SALT RESERVOIR).
	Adjustment of the water hardness is not adequate.	Increase the values (see WATER HARDNESS TABLE).
	Cap of the salt reservoir is not properly closed.	Check the salt reservoir cap.
	Rinse aid has run out or the dosage is insufficient.	Add the rinse aid or adjust the dosage levels higher.
Dishes and glasses have a bluish tinge or blue streaks.	Rinse aid dosage is excessive.	Adjust the dosage rates to lower values.

After-Sales Service

If, after carrying out the above checks, the fault persists, disconnect the mains plug and turn off the water tap. Contact the After-sales Service (see guarantee).

Before contacting our After-Sales Service, take note of the following:

- the description of the fault,
- the appliance type and model,

- the service code (the number indicated on the adhesive rating plate) inside the door on the right-hand side:




Technical Data

Product dimensions (mm)	Height	mm	820
	Width	mm	598
	Depth	mm	555
Performances *)	Voltage	V	220-230
	Frequency	Hz	60
	Energy efficiency class		E
	Cleaning performance index		1.13
	Drying performance index		1.07
	Water supply pressure, max	Bar	10
	Water supply pressure, min	Bar	0.5
	Energy consumption	kWh/100 cycles	95
	Water supply, max inlet water temp.	°C	60
	Number of place settings		14
	Power consumption in delay start	W	4
	Power consumption in standby mode	W	0.5
	Water consumption	l/cycle	9.5
	Noise level	dB(A) re 1 pW	46
Noise class		C	

*) Performance data is measured under laboratory conditions according to European Standard EN 60436:2020/A12 and (EU) 2019/2017 regulation.


Environmental concerns

Disposal of packaging materials

The packaging material is 100% recyclable and is marked with the recycle symbol . The various parts of the packaging must therefore be disposed of responsibly and in full compliance with local authority regulations governing waste disposal.

Disposal of household appliances

This appliance is manufactured with recyclable or reusable materials. Dispose of it in accordance with local waste disposal regulations. For further information on the treatment, recovery and recycling of household electrical appliances, contact your local authority, the collection service for household waste or the store where you purchased the appliance. This appliance is marked in compliance with European Directive 2012/19/EU, Waste Electrical and Electronic Equipment (WEEE) and with the Waste Electrical and Electronic Equipment regulations 2013 (as amended). By ensuring this product is disposed of correctly, you will help prevent negative consequences for the environment and human health.

The symbol  on the product or on the accompanying documentation indicates that it should not be treated as domestic waste but must be taken to an appropriate collection center for the recycling of electrical and electronic equipment.

Energy saving tips

ECO programme is suitable to clean normally soiled tableware, that for this use, it is the most efficient programme in terms of its combined energy and water consumption, and that it is used to assess compliance with the EU Ecodesign legislation. Loading the household dishwasher up to the capacity indicated by the manufacturer will contribute to energy and water savings. The manual pre-rinsing of tableware items leads to increased water and energy consumption and is not recommended. Washing tableware in a household dishwasher usually consumes less energy and water in the use phase than hand dishwashing when the household dishwasher is used according to the manufacturer's instructions.

Installation

ATTENTION: If the appliance must be moved at any time, keep it in an upright position; if absolutely necessary, it may be tilted onto its back.

Connecting the water supply

Adaptation of the water supply for installation should only be performed by a qualified technician. The water inlet and outlet hoses may be positioned towards the right or the left in order to achieve the best possible installation. Make sure the dishwasher does not bend or squash the hoses.

Connecting the water inlet hose

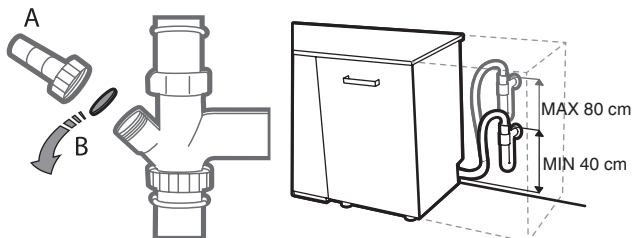
- Run the water until it is perfectly clear.
 - Screw the inlet hose tightly into position and turn on the tap. If the inlet hose is not long enough, contact a specialist store or an authorised technician.
- The water pressure must be within the values indicated in the Technical Data table - otherwise the dishwasher may be function properly. Make sure the hose is not bent or compressed.

Specifications for the connection of the water supply hose:

Water supply	cold or hot (max. 60°C)
Water intake	3/4"
Power of water pressure	0.05 ÷ 1 MPa (0.5 ÷ 10 bar) 7.25 – 145 psi

Connecting the water outlet hose

Connect the outlet hose to a drain duct with a minimum diameter of 2 cm **A**.



The outlet hose connection must be at a height ranging from 40 to 80 cm from the floor or surface where the dishwasher rests. Before connecting the water outlet hose to the sink drain, remove the plastic plug **B**.

Electrical connection

⚡ WARNING: Under no circumstances should the water inlet hose be cut as it contains live electrical parts.

Before inserting the plug into the electrical socket, make sure that:

- The socket is **earth** and complies with current regulations;
- The socket can withstand the maximum load of the appliance as shown on the data plate located on the inside of the door (see PRODUCT DESCRIPTION).
- The power supply voltage falls within the values indicated on the data plate on the inside of the door.
- The socket is compatible with the plug of the appliance.

If this is not the case, ask an authorised service only to replace the certified power cord with a correct plug dedicated for this appliance (see AFTER-SALES SERVICE). Do not use extension cables or multiple sockets or not authorized power cords with plugs. Once the appliance has been installed, the power supply cable and the electrical socket should be easily accessible.

The cable should not be bent or compressed. If the power supply cable is damaged, have it replaced by the manufacturer or its authorised Technical Assistance Service in order to prevent all potential hazards. The Company shall not be held responsible for any incidents, if these regulations are not observed.

Positioning and levelling

1. Position the dishwasher on a level sturdy floor. If the floor is uneven, the front feet of the appliance may be adjusted until it reaches a horizontal position. If the appliance is levelled correctly, it will be more stable and much less likely to move or cause vibrations and noise while it is operating.
2. Before recessing the dishwasher, stick the adhesive transparent strip under the wooden shelf in order to protect it from any condensation which may form.
3. Place the dishwasher so that its sides or back panel are in contact with the adjacent cabinets or the wall. This appliance can also be recessed under a single worktop.
4. To adjust the height of the rear foot, turn the red hexagonal bushing on the lower central part at the front of the dishwasher using a hexagonal spanner with an opening of 8 mm. Turn the spanner in a clockwise direction to increase the height and in an anticlockwise direction to decrease it.

DIMENSIONS AND CAPACITY:

Width	598 mm
Height	820 mm
Depth	555 mm
Capacity	14 standard place-settings

IKEA GUARANTEE

How long is the IKEA guarantee valid?

This guarantee is valid for **five (5) years** from the original date of purchase of your appliance at IKEA. The original sales receipt is required as proof of purchase. If service work is carried out under guarantee, it will not extend the guarantee period for the appliance.

Which LAGAN appliances are not covered by the IKEA 5-year guarantee?

LAGAN appliances purchased from IKEA before 1 May 2026 are covered by a 2-year guarantee, starting from the original date of purchase.

Who will execute the service?

IKEA service provider will provide the service through its own service operations or authorized service partner network.

What does this guarantee cover?

The guarantee covers faults of the appliance, which have been caused by faulty construction or material faults from the date of purchase from IKEA. This guarantee applies to domestic use only. The exceptions are specified under the headline "What is not covered under this guarantee?" Within the guarantee period, the costs to remedy the fault e.g. repairs, parts, labour and travel will be covered, provided that the appliance is accessible for repair without special expenditure. On these conditions the respective local regulations are applicable. Replaced parts become the property of IKEA.

What will IKEA do to correct the problem?

IKEA appointed Service Provider will examine the product and decide, at its sole discretion, if it is covered under this guarantee. If considered covered, IKEA Service Provider or its authorized service partner through its own service operations, will then, at its sole discretion, either repair the defective product or replace it with the same or a comparable product.

What is not covered under this guarantee?

- Normal wear and tear.
- Deliberate or negligent damage, damage caused by failure to observe operating instructions, incorrect installation or by connection to the wrong voltage, damage caused by chemical or electro-chemical reaction, rust, corrosion or water damage including but not limited to damage caused by excessive lime in the water supply, damage caused by abnormal environmental conditions.
- Consumable parts including batteries and lamps.
- Non-functional and decorative parts which do not affect normal use of the appliance, including any scratches and possible color differences.
- Accidental damage caused by foreign objects or substances and cleaning or unblocking of filters, drainage systems or soap drawers.
- Damage to the following parts: ceramic glass, accessories, crockery and cutlery baskets, feed and drainage pipes, seals, lamps and lamp covers, screens, knobs, casings and parts of casings. Unless such damages can be proved to have been caused by production faults.
- Cases where no fault could be found during a technician's visit.
- Repairs not carried out by our appointed service providers and/or an authorized service contractual partner or where nonoriginal parts have been used.
- Repairs caused by installation which is faulty or not according to specification.
- The use of the appliance in a nondomestic environment i.e. professional use.
- Transportation damages. If a customer transports the product to his home or another address, IKEA is not liable for any damage that may occur during transport. However, if IKEA delivers the product to the customer's delivery address, then damage to the product that occurs during this delivery will be covered by IKEA.

- Cost for carrying out the initial installation of the IKEA appliance.
- However, if an IKEA appointed Service Provider or its authorized service partner repairs or replaces the appliance under the terms of this guarantee, the appointed Service Provider or its authorized service partner will reinstall the repaired appliance or install the replacement, if necessary.
- All plumbing and electrical installation, are not the responsibility of IKEA, and customer must complete these work before the execution work.

How country law applies

The IKEA guarantee gives you specific legal rights, which cover or exceed all the local legal demands. However these conditions do not limit in any way consumer rights described in the local legislation.

Area of validity

This warranty is valid only in the country where the product has been purchased; the services will be provided in the framework of the guarantee conditions.

An obligation to carry out services in the framework of the guarantee exists only if the appliance complies and is installed in accordance with:

- the technical specifications of the country in which the guarantee claim is made;
- the Assembly Instructions and User Manual Safety Information;

The dedicated AFTER SALES for IKEA appliances

Please don't hesitate to contact IKEA appointed Authorized Service Centre to:

- make a service request under this guarantee;
- ask for clarifications on installation of the IKEA appliance in the dedicated IKEA kitchen furniture;
- ask for clarification on functions of IKEA appliances.

To ensure that we provide you with the best assistance, please read carefully the Assembly Instructions and/or the User Manual before contacting us.

How to reach us if you need our service



- i** The IKEA after sales customer service centre will assist you on the phone with basic troubleshooting for your appliances at the time of service call request.

Please refer to **www.IKEA.com** and select your local store for local store phone numbers and opening times.

- i** **Before calling us, assure that You have to hand the IKEA article number (8 digit code) and the Serial Number (12 digit code that can be found on the rating plate) for the appliance of which you need our assistance.**

i SAVE THE SALES RECEIPT!

It is your proof of purchase and required for the guarantee to apply. Note that the receipt reports also the IKEA article name and number (8 digit code) for each of the appliances you have purchased.

Do you need extra help?

For any additional questions not related to After Sales of your appliances please contact your nearest IKEA store call centre. We recommend you read the appliance documentation carefully before contacting us.

目錄

安全信息	18	清潔和維護	23
產品說明	19	常見問題解決方案	24
控制面板	19	售後服務	25
首次使用	20	技術數據	25
裝載擱架	21	環境問題	25
日常使用	22	安裝	26
程序表	22	宜家保修	27

安全信息

在使用設備之前，請閱讀安全說明。隨後將其放在設備附近以備隨時查看。

這些說明和設備本身提供了重要的安全警告，應始終遵守。如果未遵守這些安全說明、設備使用不當或控制裝置設置錯誤，製造商將拒絕承擔任何責任。

⚠ 嬰幼兒 (0-3歲) 必須遠離設備。兒童 (3-8歲) 同樣應該遠離設備，除非在成人的監護下。對於8歲以上兒童以及身體、感官或精神能力下降或缺乏經驗和知識的人士，僅在他人的監督下，或在獲得安全使用說明並瞭解相關危險的前提下，才允許使用設備。

切勿讓兒童擅自擺弄設備。

兒童不得在沒有監督的情況下清潔和維護設備。

允許使用

⚠ 小心：該設備不支持通過外部開關設備（如定時器）或單獨的遠程控制裝置進行操作。

⚠ 該設備適合家用和類似應用，例如：商店、辦公室和其他工作環境中的員工廚房區域；農舍；支持酒店、汽車旅館、民宿和其他居住環境中的客戶使用。

⚠ 該設備不適合專業用途。請勿在戶外使用該設備。

⚠ 可放置餐具的最大數量顯示在產品工作表中。

⚠ 設備門不應處於打開狀態，否則會有絆倒的風險。打開的設備門只能支撐已裝載擱架拉出時的重量。不要將物品放在門上，也不要坐在或站在門上。

⚠ 警告：洗碗機的洗滌劑具有強鹼性。如果誤吞將非常危險。避免接觸皮膚和眼睛，並在設備門打開時讓兒童遠離洗碗機。清洗循環完成後，檢查洗滌劑容器是否已空。

⚠ 警告：帶有鋒利尖端的刀具或其它餐具必須放在籃子裡，尖端朝下或放在水平位置，否則會有被割傷的風險。

⚠ 請勿將爆炸性或易燃物質（如汽油罐或氣霧劑罐）存放在設備內部或附近，否則可能引發火災。

根據本手冊中的說明，該設備只能用於清洗家用餐具。設備中的水是不可飲用的。只能使用專為自動洗碗機設計的洗滌劑和漂洗添加劑。添加軟水器（鹽）時，應立即在設備空載的情況下運行一個循環，以避免對內部零件造成腐

蝕損壞。

將洗滌劑、漂洗劑和鹽存放在兒童接觸不到的地方。在進行維修和維護之前，請關閉供水並拔下或斷開電源。

如果出現任何故障，請斷開供水和供電。

安裝

⚠ 該設備必須由兩人或兩人以上搬運和安裝 - 受傷風險。使用防護手套打開包裝並安裝 - 割傷風險。

⚠ 安裝，包括供水（如有）、電氣連接和維修，必須由合格的技術人員執行。除非用戶手冊中有特別說明，否則不要修理或更換設備的任何部件。讓兒童遠離安裝現場。打開設備的包裝後，確認其在運輸過程中是否有損壞。如果出現問題，請聯繫經銷商或離您最近的售後服務部門。

一旦安裝完成，包裝垃圾（塑料件、泡沫塑料件等）必須存放在兒童接觸不到的地方 - 窒息風險。

在進行任何安裝操作之前，必須斷開設備的電源 - 觸電風險。在安裝過程中，請確保設備不會損壞電源線 - 火災或觸電風險。只有在安裝完成後才能啟用設備。

僅使用新的軟管組將洗碗機連接到總水管上。舊的軟管組不應重複使用。所有軟管必須牢固夾緊，以防止在操作過程中鬆動。

必須遵守所有當地水務管理部門的規定。

供水壓力0.05 - 1.0 MPa。

設備必須靠牆放置或內置於傢俱中，從而將其背面遮擋住。

對於在底座中配有通風孔的洗碗機，其孔不得被地毯阻擋。

如果將洗碗機安裝在一排設備的末端，以便於接近其側板，則必須覆蓋鉸鏈區域，以避免受傷風險。

進水溫度取決於洗碗機型號。如果安裝的進水軟管標記為「25°C Max」（最高25°C），則說明允許的最高水溫為25°C。對於所有其他型號，允許的最高水溫為60°C。不要切割軟管，如果設備安裝了止水系統，不要將裝有進水軟管的塑料套管浸入水中。如果軟管不夠長，請聯繫當地經銷商。確保進水和排水軟管均無扭結且未受擠壓。首次使用設備前，檢查進水和排水軟管是否洩漏。確保四個支腳穩定接觸地板，根據需要進行調整，並使用水準儀

檢查洗碗機是否完全調平。

⚠ 只有在正確裝配「組裝說明」中圖19所示的所有蓋罩後，才能使用該設備 - 受傷風險。

電氣警告

銘牌位於洗碗機門的邊緣（當門打開時可見）。

⚠ 如果可以接觸到插頭，則必須確保能夠通過拔下插頭或根據布線規則通過安裝在插座上游的多極開關將設備與電源斷開，並且設備必須按照國家電氣安全標準接地。

⚠ 不要使用延長線、複式插座或適配器。安裝後，使用者不允許接觸到電氣部件。在使用者手部潮濕或赤腳的情況下，不允許使用本設備。

如果電源線或插頭損壞、工作不正常或者損壞或掉落，請不要操作此設備。

⚠ 如果電源線損壞，必須由製造商、其服務代理或具有類似資質的人員更換為相同類型的電源線 - 觸電風險。

如果安裝的插頭不適合您的插座，請聯繫有資質的技術人員進行處理。

請勿拉拽電源電纜。請勿將電源線或插頭浸入水中。

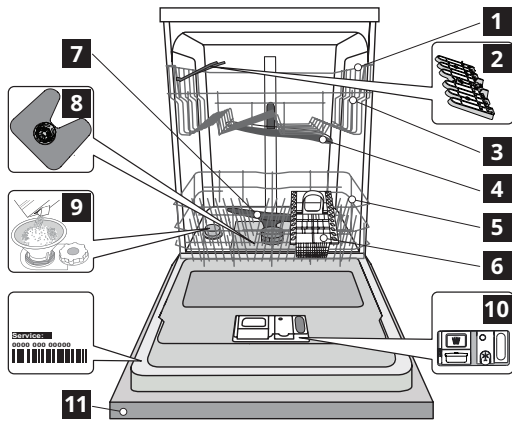
使電線遠離高溫表面。

清潔和維護

⚠ 警告：在執行任何維護操作之前，確保設備已關閉並斷開電源。為避免人身傷害風險，請使用防護手套（割傷風險）和安全鞋（挫傷風險）；務必由兩個人操作（減少負載）；切勿使用蒸汽清洗設備（觸電風險）。

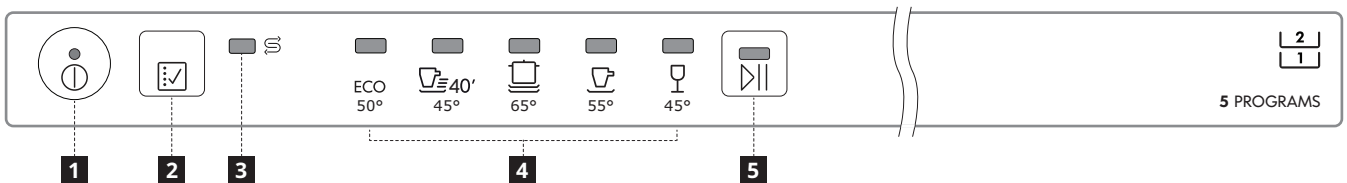
未經製造商授權的非專業維修可能會導致健康和 safety 風險，製造商對此不承擔任何責任。由非專業維修或維護引起的任何缺陷或損壞將不在保修範圍內，在隨設備交付的文件中概括列有保修條款。

產品說明



- 1 上部擱架
- 2 折疊式柵板
- 3 上部擱架高度調節器
- 4 上部噴霧臂
- 5 下部擱架
- 6 刀叉籃
- 7 下部噴霧臂
- 8 過濾器組件
- 9 鹽罐
- 10 洗滌劑和漂洗劑分配器
- 11 控制面板

控制面板



- 1 開關/復位按鈕，帶指示燈
- 2 程序選擇按鈕
- 3 鹽加注指示燈
- 4 程序指示燈
- 5 開始/暫停按鈕，帶指示燈

首次使用

首次使用建議

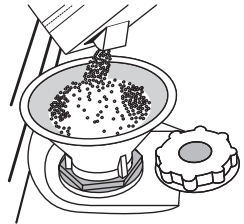
在安裝和首次使用設備之前，請仔細閱讀產品資料袋中的「安全說明」和「裝配說明」。請記得從洗碗機中取出所有運輸保護件。

填充鹽罐

使用鹽可以防止在餐具和設備的功能部件上形成水垢。

- 強制要求鹽罐不可為空。
- 設置水質硬度很重要。

鹽罐位於洗碗機的下部（參見產品說明），當控制面板上的「加鹽」指示燈亮起時，應填充鹽罐。



1. 拆下下部擱架，然後逆時針擰下鹽罐蓋。
2. 放置好漏斗（見圖），並將鹽罐填充到其邊緣（約1 kg）；可能有少量水漏出。
3. 僅首次操作時應執行：向鹽罐中注水。
4. 取下漏斗，擦乾淨開口處的所有鹽殘留物。

確保將罐蓋擰緊，這樣在洗滌過程中不會有洗滌劑進入容器，否則可能導致軟水器出現無法修復的損壞。

此過程完成後，立即在不加載的情況下運程序。僅「預清洗」程序是不夠的。

殘留的鹽水溶液或鹽粒將會導致腐蝕，從而對不銹鋼部件造成無法修復的損壞。

對於上述失誤導致的故障，不在保修範圍之內。

只能使用專門為洗碗機製造的鹽。如果未填充鹽罐，水軟化器和加熱元件均可能因水垢堆積而損壞。建議任何類型的洗碗機洗滌劑均應與鹽一起使用。

無論何時需要加鹽，都必須在清洗循環開始之前完成該程序，以避免腐蝕。

設置水質硬度

為了讓軟水器以完美的方式工作，必須根據您用水的實際硬度設置水質硬度。相關信息可以從當地供水部門處獲得。出廠設置僅為默認的水質硬度值。

- 按下開/關按鈕開啟設備。
- 按下開/關按鈕關閉設備。
- 按住按鈕 [] 5秒鐘，直至聽到嗶聲。
- 快速按下開/關按鈕開啟設備。
- 當前設置等級的程序指示燈閃爍。
- 按下按鈕 [] 以選擇所需的硬度等級（參見「水質硬度表」）。
- 按下開/關按鈕關閉設備。

設置完成！

水質硬度表			
級別	°dH 德制單位	°fH 法制單位	°Clark 英制單位
1 較軟	0 - 6	0 - 10	0 - 7
2 中等	7 - 11	11 - 20	8 - 14
3 平均	12 - 16	21 - 29	15 - 20
4 較硬	17 - 34	30 - 60	21 - 42
5 高硬	35 - 50	61 - 90	43 - 62

水質軟化系統

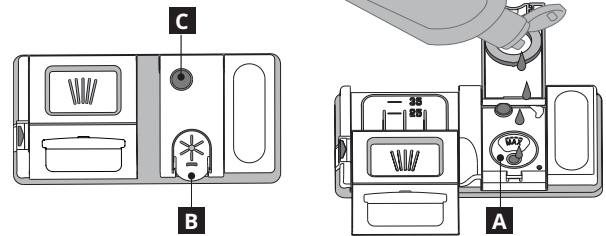
軟水器自動降低水質硬度，從而防止加熱器上的水垢堆積，也有助於提高清潔效率。該系統可利用鹽進行再生，因此需要在鹽罐排空時重新填充。再生頻率取決於水質硬度級別的设置 - 當水質硬度級別設置為3時，每6個Eco循環進行一次再生。

再生過程從最後沖洗步驟開始，在循環結束前的乾燥階段完成。

- 單次再生消耗：約3.5 L水；
- 循環最多需要5分鐘的額外時間；
- 能耗低於0.005 kWh。

填充漂洗劑分配器

漂洗劑可使餐具更容易乾燥。當分配器門上的深色光學指示器A變為透明時，C說明應該填充漂洗劑分配器了。



1. 通過按下並上拉蓋子上的凸舌，將分配器B打開。
2. 小心地將漂洗劑加注至儲液空間的最大參考刻度（110 ml）處 - 避免溢出。如果發生這種情況，請立即用乾布清潔溢出物。
3. 向下按壓蓋子，直到聽到其關閉的卡嗒聲。

切勿將漂洗劑直接倒入桶中。

調整漂洗劑的用量

如果您對乾燥效果不完全滿意，可以調整使用的漂洗劑量。

- 使用開/關按鈕開啟洗碗機。
- 使用開/關按鈕將其關閉。
- 按下按鈕 [] 三次 - 將聽到嗶聲。
- 使用開/關按鈕將其開啟。
- 當前設置等級的程序指示燈閃爍。
- 按下按鈕 [] 以選擇要提供的漂洗劑用量級別。
- 使用開/關按鈕將其關閉。

設置完成！

如果漂洗劑級別設置為1（ECO），將不提供漂洗劑。當漂洗劑用完時，低漂洗劑指示燈將不亮起。根據洗碗機型號，最多可以設置5個級別。出廠設置特定於相應的機型，請按照上述說明檢查您的設備。

- 如果您看到餐具上有藍色條紋狀痕跡，可設置為較低級別（2-3）。
- 如果您看到餐具上有水滴或水垢的痕跡，可設置為較高級別（4-5）。

填充洗滌劑分配器

使用非洗碗機專用洗滌劑可能會導致設備故障或損壞。

為了達到最佳的洗滌和乾燥效果，需要結合使用洗滌劑、漂洗劑和精製鹽。

我們建議使用不含磷酸鹽或氯的洗滌劑，以避免對環境造成危害。

良好的洗滌效果還取決於洗滌劑的用量。

超過規定的洗滌劑用量無法帶來更佳的洗滌效果，但會增加對環境的污染。

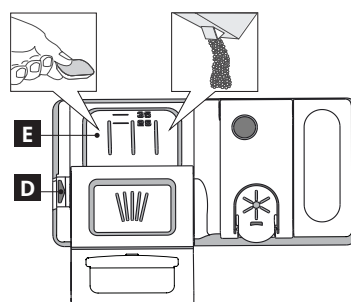
洗滌劑用量可以根據餐具髒污程度進行調整。在餐具髒污程度正常的情況下，可使用約35g（粉末洗滌劑）或35ml（液體洗滌劑），並且直接在桶內放入額外一茶勺洗滌劑。如果使用片劑，則放入一片即可。

如果餐具僅為輕度髒污，或者在放入洗碗機之前已經用水沖洗過，則可相應地減少洗滌劑的用量（至少25克/毫升），並且無需在桶內放入粉末/凝膠型洗滌劑。

要打開洗滌劑分配器，請按下按鈕D。

只將洗滌劑放入干式分配器E中。

將一定量的預清洗洗滌劑直接放入桶內。



1. 在計量洗滌劑時，參見前文所術信息，添加適當用量。分配器E內帶有幫助洗滌劑計量的標誌。
2. 清除分配器邊緣的洗滌劑殘留物，然後關閉蓋子，直到發出卡嗒聲。
3. 將洗滌劑分配器的蓋子向上拉，直到關閉裝置固定到位，從而將其關閉。

洗滌劑分配器根據程序在正確的時間自動打開。

裝載擱架

提示

在裝載餐具籃之前，清除餐具中的所有食物殘渣，並清空玻璃杯。不需要事先使用自來水沖洗。

把餐具擺放好，使其牢固地固定在適當的位置，不會翻倒；並將容器的開口朝下，凹/凸部分傾斜放置，從而使水能夠到達每個表面並自由流動。

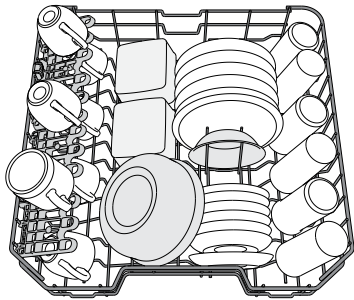
警告：蓋子、把手、托盤和煎鍋不可阻擋噴霧臂的旋轉。

在刀叉籃中放置較小的物品。嚴重髒污的碗碟和平底鍋應該放在下部籃中，因為在這個區域，水噴霧更強，洗滌效果更好。

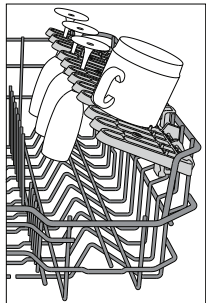
設備裝載後，確保噴霧器臂可以自由旋轉。

上部擱架

裝載精緻且較輕的餐具：玻璃杯、茶杯、茶碟、低沙拉碗。



(上部擱架裝載示例)



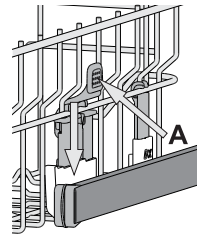
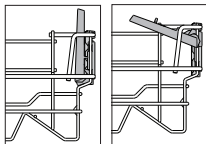
位置可調的折疊式柵板

側部折疊式柵板可以折疊或展開，以便優化餐具在擱架內的擺放。

可以將酒杯的杯柄插入到柵板上的相應槽中，從而將其安全地倒置在折疊式柵板中。

根據設備型號：

- 要展開柵板，需要將其向上滑動並旋轉，或者將其從卡扣中釋放並向下拉動。
- 要折起柵板，需要將其旋轉並向下滑動，或者將其向上拉動並卡入卡扣。



調節上部擱架的高度

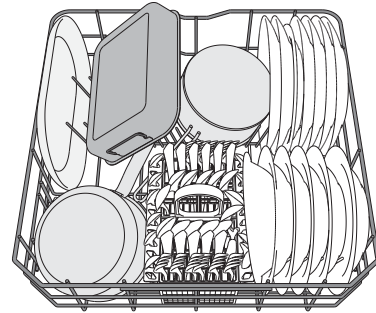
上部擱架的高度可以調節：在高位時，可將較大的餐具放置在下籃中，在低位時，可以創造更多上方空間以充分利用翻起支撐，並且避免與裝載到下部擱架中的物品碰撞。

上部擱架配有一個**上部擱架高度調節器**（如圖），無需按壓操縱桿，只要擱架穩定在其上部位置，即可通過握住擱架側面將其提起。要恢復至下部位置，按下擱架側面的操縱桿A並向下移動籃子。

極力建議在擱架裝載時不要調節其高度。切勿僅在一側升高或降低籃子。

下部擱架

用於放置鍋具、蓋子、盤子、沙拉碗、刀叉等。較大的盤子和蓋子最好放在側面，以避免干擾噴霧臂。

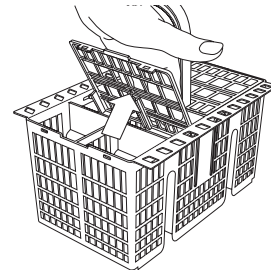


(下部擱架裝載示例)

刀叉籃

刀叉籃配有一個頂部格柵，用於優化刀叉的擺放。刀叉籃僅應放置在下部擱架的前部。

邊緣鋒利的刀具等餐具必須放置在刀叉籃中，尖端朝下，或者必須水平放置在上部擱架的翻起隔間中。



不適用的餐具

- 木製餐具和刀叉。
- 裝飾精美的玻璃杯、藝術品和古董餐具。其裝飾通常耐受力較差。
- 合成材料製成的餐具無法承受高溫。
- 銅製和錫制的餐具。
- 被灰塵、蠟、潤滑脂或墨水污染的餐具。

玻璃飾品和鋁/銀飾品的顏色在洗滌過程中可能會發生變化和褪色。某些類型的玻璃（如水晶餐具）在經過多次洗滌循環後也會變得不透明。

對玻璃杯和餐具的損壞

- 只適用於製造商保證可以使用洗碗機清洗的玻璃杯和餐具。
- 使用適用於餐具的柔和洗滌劑
- 清洗週期結束後，立即從洗碗機中取出玻璃杯和餐具。

衛生

為了避免洗碗機中積聚異味和沉澱物，請至少每月運行一次高溫程序。使用一茶匙洗滌劑，在無裝載情況下運行，以清潔設備。

節能提示

- 如果按照製造商的說明使用家用洗碗機，其清洗過程通常比手動清洗消耗更少的能量和水。
- 為了最大限度地發揮洗碗機的效率，建議一旦洗碗機裝滿便啟動洗滌循環。按照製造商指示的容量裝載家用洗碗機將有助於節能和節水。有關餐具正確裝載的信息，參見裝載章節。洗碗機裝載不正確或過載可能會增加資源使用量（如水、能源和時間，以及增加噪音水平），降低清潔和乾燥性能。
- 手動預沖洗餐具會增加水和能源消耗，不建議執行。

日常使用

- 1. 檢查水路連接**
檢查洗碗機是否已連接到供水系統，水龍頭是否打開。
- 2. 開啟洗碗機**
打開設備門並按下開/關按鈕。
- 3. 裝載擱架** (參見「裝載擱架」)
- 4. 填充洗滌劑分配器**
(參見「填充洗滌劑分配器」)。
- 5. 選擇程序並定制循環**
按下 按鈕，根據餐具的類型及其髒污程度選擇最合適的程序 (見程序說明)。
- 6. 開啟**
按下開始/暫停按鈕啟動清洗循環 (LED燈亮起) 並在4秒鐘內關閉設備門。當程序開始後，將可以聽到單音嗶聲。如果設備門未在4秒鐘內關閉，將響起報警聲。此時，應打開設備門，按下開始/暫停按鈕並在4秒鐘內重新關閉設備。
- 7. 清洗循環的結束**
清洗循環的結束時，將通過嗶聲和所選程序的指示燈閃爍指示。打開設備門並按下開/關按鈕關閉設備。
等幾分鐘後再取出餐具，以免燙傷。取出餐具時，從較低擱架開始。

如果長時間不使用，設備將自動關閉，以最大限度地減少電力消耗。如果餐具僅為輕度髒污，或者在放入洗碗機之前已經用水沖洗過，則可相應地減少洗滌劑的用量。

更改正在運行的程序

如果選擇了錯誤的程序，只要程序才剛剛開始，就可以對其進行更改：打開設備門，按住開/關按鈕，設備將關閉。使用開/關按鈕將設備重新打開，並選擇新的清洗循環；通過按下開始/暫停按鈕啟動清洗循環並在4秒鐘內關閉設備門。
如果未關門時間超過4秒鐘，設備將自動暫停，您必須通過重複上述操作重新啟動設備。

添加餐具

在不關閉設備的情況下，打開設備門 (開始/暫停LED燈開始閃爍) (小心熱蒸汽!) 同時將要添加的餐具放入洗碗機。按下開始/暫停按鈕並在4秒鐘內關閉設備門，循環將從中斷的時間點開始恢復。

意外中斷

如果設備門在清洗循環期間打開，或者，如果停電，循環將暫停。按下開始/暫停按鈕並在4秒鐘內關閉設備門，循環將從中斷的時間點開始恢復。

程序表

程序	乾燥階段	清洗程序時長 (小時:分鐘) *	水消耗量 (升/循環)	電消耗量 (kWh/循環)
1 節能 (Eco) ECO 50°	✓	3:35	9.5	0.95
2 快洗 40』  45°	-	0:40	9.0	0.50
3 強洗  65°	✓	2:40	18.0	1.60
4 混合  55°	✓	2:15	16.0	1.40
5 玻璃器皿  45°	✓	1:40	11.5	1.20

ECO程序數據是根據歐洲標準EN 60436:2020在實驗室條件下測量的。

測試實驗室提示：有關比較EN測試條件的信息，請發送電子郵件至以下地址：dw_test_support@whirlpool.com

在任何程序之前都不需要對餐具進行預處理。

*) 為節能 (ECO) 程序以外的其他程序提供的數值僅供參考。實際時間可能取決於許多因素，如進水的溫度和壓力、室溫、洗滌劑用量、餐具量和類型、負載平衡度、額外選擇的選項和傳感器校準。

- 1. 節能 (ECO)** - 節能 (ECO) 程序適用於清潔正常髒污的餐具，其綜合水電消耗率是最為高效的，此程序用於評估設備是否符合歐盟生態設計法規。
- 2. 快洗 40』** - 此程序用於清洗數量有限的正常髒污的餐具。確保在更短的時間內實現最佳清潔性能。
- 3. 強洗** - 此程序推薦用於嚴重髒污的餐具，特別適用於平底鍋和燉鍋 (不適用於精緻餐具)。
- 4. 混合** - 混合型髒污。用於粘有乾燥食物殘渣的正常髒污餐具。
- 5. 玻璃器皿** - 清洗對高溫較敏感的精緻餐具的程序，例如玻璃杯和茶杯。

清潔和維護

注意：清潔設備和進行維護工作時，務必拔下電器插頭。請勿使用易燃液體清潔設備。

清潔洗碗機

可以使用蘸有水和少量醋的布去除設備內部的痕跡。

設備外表面和控制面板可以使用水浸濕的無磨料抹布進行清潔。不要使用溶劑或磨料製品。



防止異味

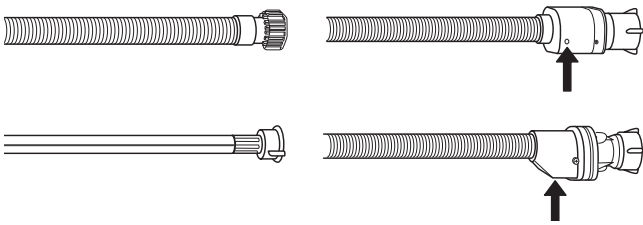
始終保持設備門微開，以避免濕氣形成並滯留在機器內。

用濕海綿定期清潔設備門和洗滌劑分配器周圍的密封件。這可避免密封件中粘有食物殘渣，這些殘渣是形成難聞氣味的主要原因。

檢查供水軟管

定期檢查進水軟管是否變脆和開裂。如果發現損壞，請通過售後服務部件或您的專業經銷商更換軟管。根據軟管類型：

如果進水軟管有透明塗層，定期檢查其顏色是否局部變深。如果是，則說明軟管可能存在洩漏，應予以更換。



對於止水軟管：檢查小安全閥檢查窗（見箭頭）。如果是紅色，則表示已觸發止水功能，必須用新軟管更換軟管。

要擰下此軟管，請在擰下軟管的同時按下釋放按鈕。

清潔進水軟管

如果水管是新的或已經很長一段時間沒有使用過，在進行必要的連接之前，先進行放水以確保其清潔無雜質。如果不採取這種預防措施，進水口可能會堵塞並損壞洗碗機。

清潔過濾器總成

定期清潔過濾器總成，確保過濾器不會堵塞，廢水正確流出。

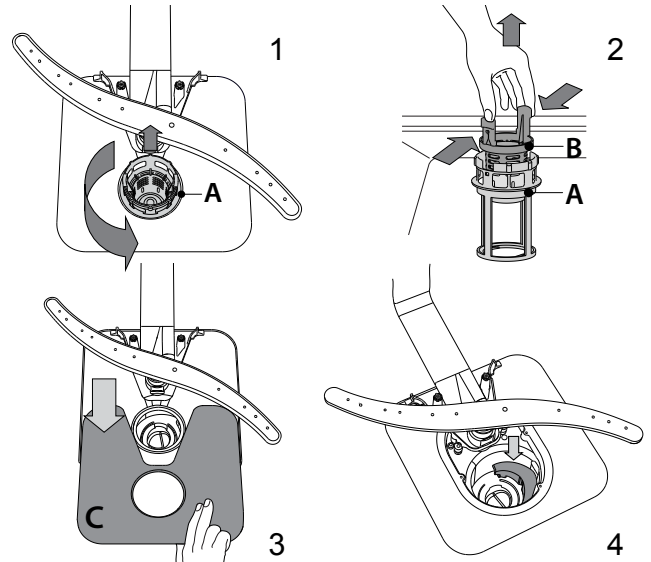
使用過濾器堵塞或者過濾系統或噴霧器內有異物的洗碗機可能會導致裝置故障，從而導致性能損失、工作噪音或能耗增加。

過濾器總成由三個過濾器組成，可以過濾掉洗滌水中的食物殘渣，讓乾淨的水再循環。

如果沒有過濾器或過濾器鬆動，則不得使用洗碗機。

至少每月或每30個循環後檢查一次過濾器總成，如有必要，使用非金屬刷並按照以下說明在自來水下徹底清潔：

1. 沿逆時針方向轉動筒式過濾器A並將其拉出（圖1）。
2. 通過在側擋板（圖2）上施加輕微壓力拆下杯式過濾器B。
3. 滑出不銹鋼板過濾器式過濾器C（圖3）。
4. 如果您發現異物（如碎玻璃、瓷器、骨頭、果核等），請小心地將其清除。
5. 檢查存水彎並清除任何食物殘渣。切勿拆下洗滌循環泵保護裝置（黑色部分）（圖4）。

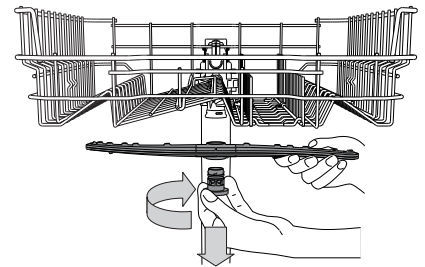


清潔過濾器後，更換過濾器總成，並將其正確固定到位；這對於保持洗碗機的有效操作是至關重要的。

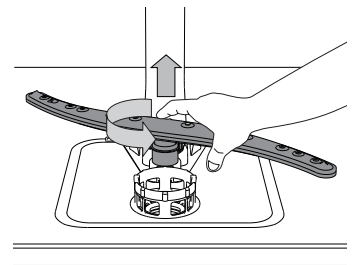
清潔噴霧臂

食物殘渣可能偶爾會附著在噴霧臂上，並堵塞噴水孔。因此，建議您定期檢查噴霧臂，並用小的非金屬刷進行清潔。

要拆下上噴霧臂，請順時針方向轉動塑料鎖環。更換上噴霧臂時，應使孔數較多的一側朝上。



下部噴霧臂的拆卸方法是，向上拉動並逆時針旋轉。



常見問題解決方案



如果洗碗機無法正常工作，請嘗試是否可以通過以下表格中的方法來解決問題。如果遇到表格中以外的錯誤或問題，請聯繫授權的售後服務部門，聯繫方式可在保修手冊中找到。根據特定法規的要求，備件的供應期限為最多7年或10年。
可以在下網站訂購備件：<https://parts-selfservice.whirlpool.com/en/landing>

問題	可能的原因	解決方案
鹽指示燈亮起	鹽罐已空。（重新填充後，鹽指示燈可能會在數個洗滌循環中仍然保持點亮）。	向鹽罐中重新填充鹽（有關更多信息，參見第20頁）。 調節水質硬度 - 參見表格，第20頁。
洗碗機無法啟動或對命令沒有響應。	設備未正確插電。	將插頭插入電源插座。
	供電中斷。	出於安全考慮，當電源恢復時，洗碗機不會自動重新啟動。打開洗碗機門，按下開始/暫停按鈕並在4秒鐘內將門關閉。
	洗碗機門未關閉。	用力推門，直到聽到「卡嗒」一聲。
	由於設備門被打開超過4秒鐘，循環中斷。	按下開始/暫停並在4秒鐘內關閉設備門。
	對命令不響應。	按下開/關按鈕以關閉設備，大約一分鐘後將其重新開啟，然後重新啟動程序。如果問題仍然存在，拔下設備的電源插頭1分鐘，然後重新插上。
洗碗機不排水。	清洗循環尚未結束。	等待清洗循環結束。
	排水軟管彎曲。	檢查排水軟管是否彎曲（參見「安裝」）。
	水槽排水管堵塞。	清潔水槽排水管。
	過濾器被食物殘渣堵塞。	清潔過濾器（參見「清潔過濾器總成」）。
洗碗機工作噪音過大。	餐具相互碰撞	正確放置餐具（參見「裝載擱架」）。
	產生了過多的泡沫。	洗滌劑沒有正確計量，或者不適合在洗碗機中使用（參見「填充洗滌劑分配器」）。重新啟動當前清洗循環：方法是關閉洗碗機，然後重新開啟，選擇一個新程序，按下開始/暫停按鈕並在4秒鐘內關閉設備門。請不要添加任何洗滌劑。
餐具未清潔乾淨。	餐具擺放不合理。	正確擺放餐具（參見「裝載擱架」）。
	噴霧臂被餐具阻擋，無法自由轉動。	正確擺放餐具（參見「裝載擱架」）。
	清洗循環太輕緩和/或洗滌劑效率低。	選擇合適的清洗循環（參見「程序表格」）。
	產生了過多的泡沫。	洗滌劑沒有正確計量，或者不適合在洗碗機中使用（參見「填充洗滌劑分配器」）。
	漂洗劑盒蓋未正確關閉。	確保漂洗劑分配器的蓋子已關閉。
	過濾器髒污或堵塞。	清潔過濾器總成（參見「清潔和維護」）。
	鹽罐中沒有鹽。	填充鹽罐（參見「填充鹽罐」）。
洗碗機完成循環過早。	排水軟管位置過低或虹吸進入家用污水系統。	檢查排水軟管的末端是否放置在正確的高度（參見「安裝」）。檢查排水是否虹吸進入家用污水系統，必要時安裝進氣閥。
	供水中有空氣。	檢查供水是否有洩漏，或者存在其它空氣進入供水管路的問題。
工作時洗碗機中無水。 所有LED燈均快速閃爍	供水管路中無水或水龍頭未打開。	確保供水管路中有水或水龍頭已打開。
	進水軟管彎曲。	確保進水軟管未彎曲（參見「安裝」），重新編程洗碗機並重新啟動。
	進水軟管中的濾網堵塞；有必要進行清潔	在進行驗證和清潔後，關閉並開啟洗碗機，然後重新啟動新程序。
餐具未烘乾。	所選程序不包括乾燥階段。	在程序表中驗證所選程序是否包括乾燥階段。
	漂洗劑用完或劑量不足。	添加漂洗劑或將劑量級別調高（參見「填充漂洗劑分配器」）。
	餐具是由不粘材料或塑料製成的。	存在水滴屬於正常情況（見提示）。
餐具和玻璃器皿表面上帶有水垢或白色薄膜。	鹽的剩餘量過少。	填充鹽罐（參見「填充鹽罐」）。
	水質硬度的調節不充分。	增加數值（參見水質硬度表）。
	鹽罐蓋未正確關閉。	檢查鹽罐蓋。
	漂洗劑用完或劑量不足。	添加漂洗劑或將劑量級別調高。
餐具和玻璃器皿帶有淡藍色痕跡或藍色條紋。	漂洗劑劑量過大。	調低劑量級別。

售後服務

執行上述檢查後，如果故障依然存在，請斷開電源插頭並關閉水龍頭。聯繫售後服務部門（參見保修）。

在聯繫售後服務部門之前，請記錄以下事項：

- 故障描述，
- 設備類型和型號，

- 右側車門內的維修代碼（粘合銘牌上顯示的編號）：



技術數據

產品尺寸 (mm)	高度	mm	820
	寬度	mm	598
	深度	mm	555
性能 *)	電壓	V	220-230
	頻率	Hz	60
	能源效率等級		E
	清潔性能指數		1.13
	乾燥性能指數		1.07
	供水壓力，最大	Bar	10
	供水壓力，最小	Bar	0.5
	能源消耗	kWh/100個循環	95
	供水，最大進水溫度	°C	60
	放置位置數量		14
	延遲啟動的能耗	W	4
	待機模式的能耗	W	0.5
	用水量	升/循環	9.5
	噪音水平	dB (A) re 1 pW	46
噪音級別		C	

*) 性能數據是根據歐洲標準 EN 60436:2020/A12 和 (EU) 2019/2017 法規在實驗室條件下測量的。

環境問題

包裝材料的棄置

包裝材料可100%回收並標有回收標誌 。因此，必須負責任地處理包裝的各個部件，並嚴格遵守地方當局關於廢物處理的規定。

家用設備的棄置

該設備採用可回收或可重複使用的材料製造。按照當地廢物處理法規進行處理。有關家用設備的處理、回收和再利用的更多信息，請聯繫當地主管部門、家庭垃圾收集服務機構或您購買設備的商店。本設備的標記符合歐洲指令2012/19/EU，廢棄電氣和電子設備 (WEEE) 和2013年版廢棄電氣電子設備條例（經修訂）。確保正確處置本產品，將有助於防止對環境和人類健康造成負面影響。

產品或隨附文件上的符號 表明，不應將其作為生活垃圾處理，必須將其送往適當的收集中心，對電氣和電子設備進行回收。

節能提示

ECO程序適用於清潔正常髒污的餐具，其綜合水電消耗率是最為高效的，此程序用於評估設備是否符合歐盟生態設計法規。

按照製造商指示的容量裝載家用洗碗機將有助於節能和節水。手動預沖洗餐具會增加水和能源消耗，不建議執行。如果按照製造商的說明使用家用洗碗機，其清洗過程通常比手動清洗消耗更少的能量和水。

安裝

注意：如果必須移動設備，請始終將其保持在直立位置；如果實在無法確保直立位置，可以將其向後傾斜。

連接供水

只能由合格的技術人員對供水系統進行改造以便安裝。
進水軟管和出水軟管可以向右或向左定位，以獲得最佳安裝位置。
確保洗碗機的軟管沒有彎曲或擠壓。

連接進水軟管

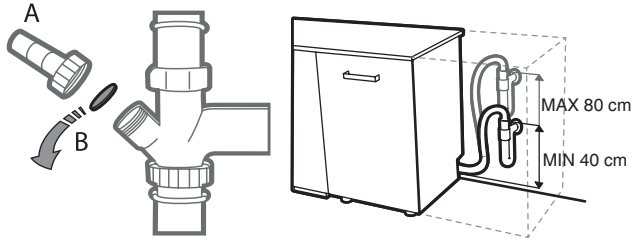
- 放水，直到清澈無雜質。
 - 將進氣軟管擰緊到位，然後打開水龍頭。
- 如果進水軟管不夠長，請聯繫專賣店或授權技術人員。
水壓必須在技術數據表中指示的數值範圍內，否則洗碗機可能無法正常工作。
軟管切勿彎曲或受到擠壓。

供水軟管連接規範：

供水	冷水或熱水（最高60°C）
進水管	3/4"
水壓強度	0.05 ÷ 1 MPa（0.5 ÷ 10 bar） 7.25 - 145 psi

連接出水軟管

將出水軟管連接到最小直徑為2 cm A的排水管道上。



出水軟管的連接必須確保距離放置洗碗機的地板或表面40到80 cm。
將出水軟管連接到水槽排水管之前，請拆下塑料塞插B。

電氣連接

警告：在任何情況下都不可切斷進水軟管，因為其中含有帶電部件。

將插頭插入插座之前，請確保：

- 插座已**接地**並且符合現行規定；
- 插座可以承受設備門內側銘牌上所指示的設備最大負載（見「產品說明」）。
- 電源電壓在設備門內側銘牌上指示的數值範圍內。
- 插座與設備插頭兼容。

如果不兼容，可要求經授權的服務中心更換為帶有正確設備專用插頭的認證電源線（參見「售後服務」）。請勿使用延長電纜、複式插座或未認證電源線及插頭。設備安裝後，電源線和電源插座均應易於接近。

電線不可彎曲或受到擠壓。

如果電源線損壞，應立即請製造商或其授權的技術救援服務機構進行更換，以防止所有潛在的危險。

如果未遵守上述規定，本公司將不對產品導致的任何事故承擔責任。

定位和調平

- 將洗碗機放在水平且堅實的地板上。如果地板不平，可以調節設備的前支腳，直到到達水平位置。設備正確調平以後，將更加穩固，並且在運行時不易移動、振動或產生噪音。
- 在將洗碗機嵌入安裝位置前，在木架下面粘貼透明膠帶，以防止其表面形成冷凝水。
- 放置洗碗機時，使其側面或背板與相鄰的櫥櫃或牆壁接觸。此設備也可以嵌入到一個單獨的操作台下。
- 要調整後支腳的高度，請使用開口為8 mm的六角扳手轉動洗碗機前部低位中央處的紅色六角襯套。順時針轉動扳手可增加高度，逆時針轉動扳手則可降低高度。

尺寸和容量：

寬度	598 mm
高度	820 mm
深度	555 mm
容量	14 個標準餐具擺放位置

宜家保修

宜家家居的產品品質保證有效期有多久？

品質保證有效期為由你在宜家家居購買該電器的日期起**五 (5) 年**。你需要出示收據正本作為購買證明。接受產品品質保證提供的服務，並不會延長電器的保證有效期。

哪些 LAGAN 電器不包括在宜家家居的 5 年品質保證範圍內？

於 2026 年 5 月 1 日之前在宜家家居購買的 LAGAN 電器，自原始購買日期起享有 2 年品質保證。

誰負責執行維修？

宜家服務提供商將通過自有服務運營商或授權服務夥伴網絡提供服務。

此保修包含哪些內容？

保修範圍包括從宜家購買之日起由於結構缺陷或材料缺陷引發的設備故障。此保修僅適用於國內使用。例外情況參見標題「本擔保不包括哪些內容？」下的規定。在保修期內，修理、零件、人工和差旅費等故障維修費用均包括在內，前提是設備可以在沒有特殊支出的情況下進行維修。在上述條件下，相應的地方法規同樣適用。

被替換部件的所有權歸宜家所有。

宜家將如何解決此問題？

宜家指定的服務提供商將對產品進行檢查，並自行決定是否包含在本保修範圍內。如果視作保修涵蓋範圍之內，宜家服務提供商或其授權服務合作夥伴將通過自有服務運營商，自行決定修復有缺陷的產品或用相同或類似的產品更換。

本擔保不包括哪些內容？

- 正常磨損。
- 故意或疏忽造成的損壞，未遵守操作說明、安裝錯誤或連接錯誤電壓造成的損壞、化學或電化學反應引起的損壞、銹蝕、腐蝕或水損壞，包括但不限於供水中石灰含量過高所造成的損壞和異常環境條件造成的損壞。
- 耗材，包括電池和燈泡。
- 不影響設備正常使用的非功能性部件和裝飾性部件，包括劃痕和可能的色差。
- 異物或材料造成的意外損壞，以及過濾器、排水系統或肥皂抽匣的清潔或疏通。
- 以下部件的損壞：陶瓷玻璃、配件、餐具和刀叉籃、給排水管路、密封件、燈泡和燈罩、屏幕、旋鈕、殼體和殼體部件。除非能夠證明此類損壞是由於生產缺陷造成的。
- 在技術人員造訪期間未發現故障的情況。
- 維修不是由我們指定的服務提供商和/或授權的服務合同合作夥伴進行的，或者使用了非原裝零件。
- 由於安裝有誤或不符合規範而導致的修理。
- 在非家庭環境中使用設備，即專業用途。
- 運輸損壞。如果客戶親自將產品運輸到家中或其他地址，宜家對運輸過程中可能發生的任何損壞不承擔責任。但是，如果由宜家將產品運輸到客戶的交貨地址，那麼在連接過程中發生的產品損壞將由宜家承擔。
- 首次安裝宜家設備的費用。
- 但是，如果宜家指定的服務提供商或其授權服務合作夥伴根據本擔保條款維修或更換電器，則指定的服務供應商或其授權的服務合作夥伴將在必要時重新安裝維修過的電器或安裝替代品。
- 所有水管和電氣的安裝均不由宜家負責，客戶必須在執行保修之前完成這些工作。

國家法律如何適用

宜家保修服務為您提供了特定的法律權利，這些權利滿足或超過了當地的所有法律要求。然而，這些條件並不會以任何方式限制當地法律所規定的消費者權利。

有效範圍

此保修僅在購買產品的國家/地區有效；服務將在保修條件的框架內提供。

只有在設備符合併按照以下規定安裝的情況下，才可享受擔保框架內所提供的服務：

- 提出擔保索賠的國家的技術規範；
- 裝配說明和用戶手冊安全信息；

宜家設備的專用售後服務

請隨時聯繫宜家指定的授權服務中心，以便：

- 根據本保修提出服務請求；
- 要求解答在專用宜家廚房傢俱中安裝宜家設備的問題；
- 要求講解宜家設備的功能。

為了確保我們能夠為您提供最佳幫助，請在聯繫我們之前仔細閱讀裝配說明和/或用戶手冊。

如果您需要我們的服務，如何聯繫我們



- ① 在接到服務電話請求後，宜家售後客戶服務中心將通過電話幫助您解決設備的基本故障。

請訪問 www.IKEA.com 並選擇您當地的商店，查找當地商店的電話號碼和營業時間。

- ① 在給我們打電話之前，請確保務必提供宜家商品編號（8位代碼）和需要幫助設備的序列號（可以在銘牌上找到的12位數代碼）。

保存好銷售收據！

這是您的購買證明，是申請保修所必需的。請注意，收據中記錄有您所購買設備的宜家商品名稱和編號（8位代碼）。

您需要額外的幫助嗎？

如有任何與設備售後服務無關的其他問題，請聯繫附近的宜家門店呼叫中心。

建議您在聯繫我們之前仔細閱讀設備文檔。

400020041492

