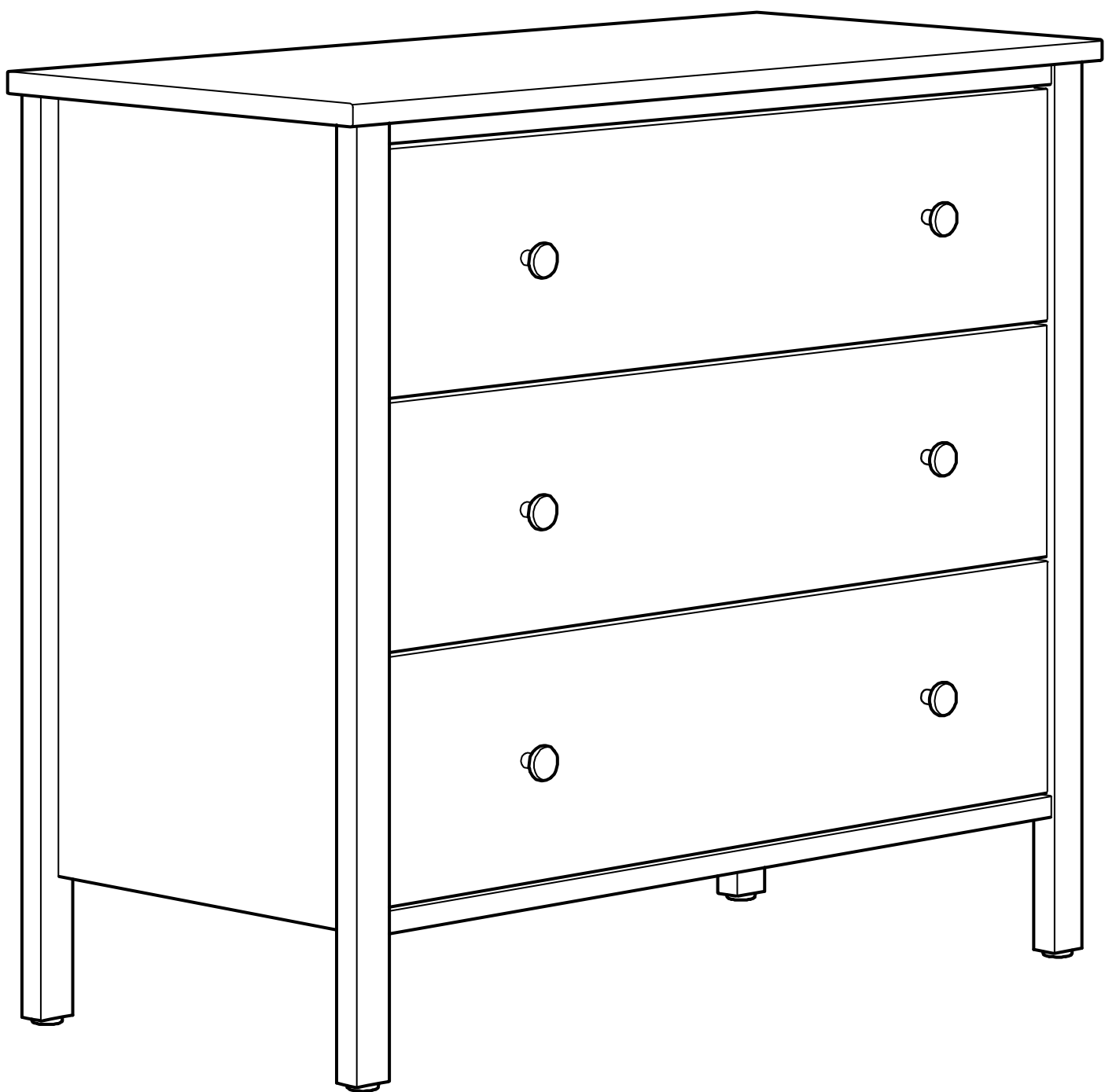
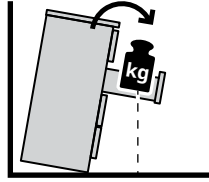
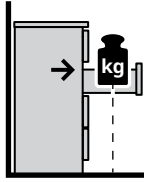
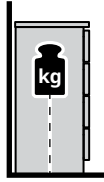


KILBERGET



Design and Quality
IKEA of Sweden



English

WARNING

Children have died from furniture tipover.

To reduce the risk of furniture tipover:

ALWAYS install anti-tip device provided.

NEVER put a TV on this product.

NEVER allow children to stand, climb, or hang on any drawers, doors, or shelves.

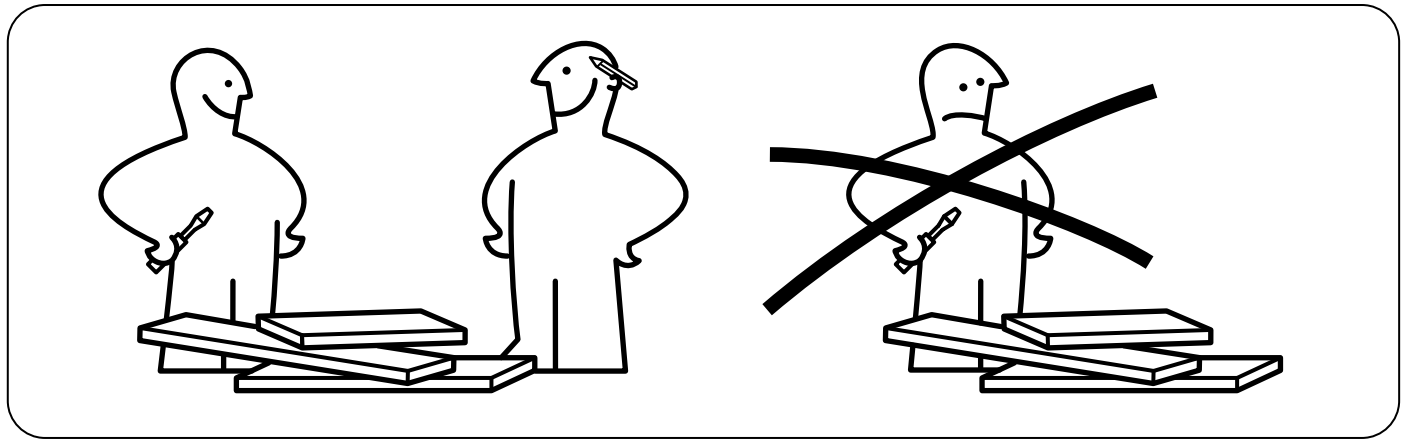
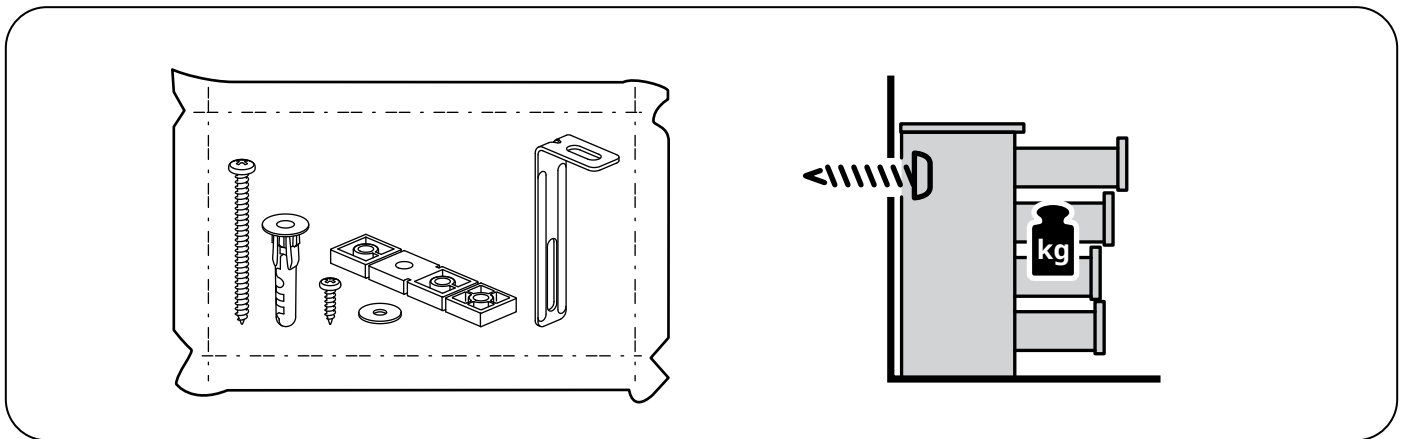
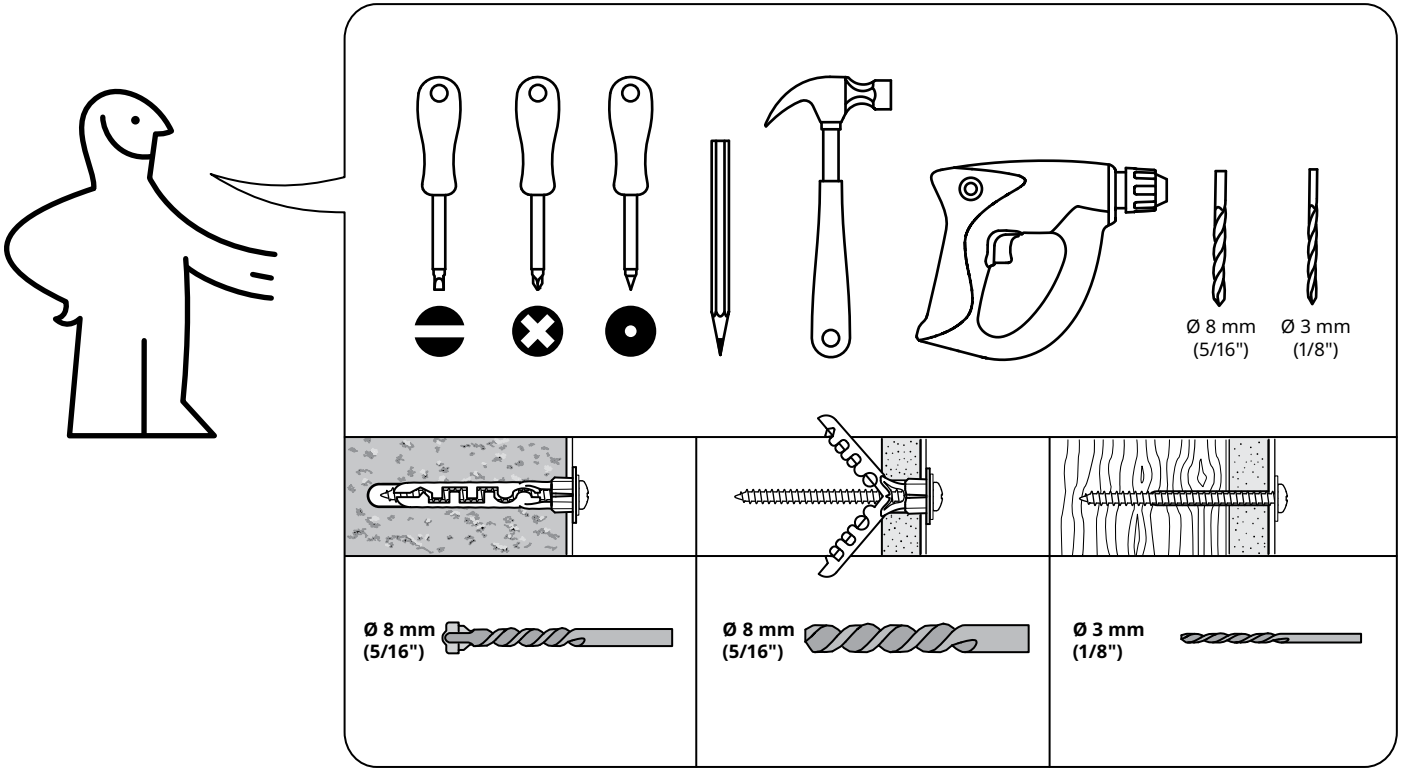
NEVER open more than one drawer at a time.

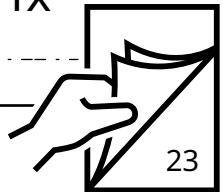
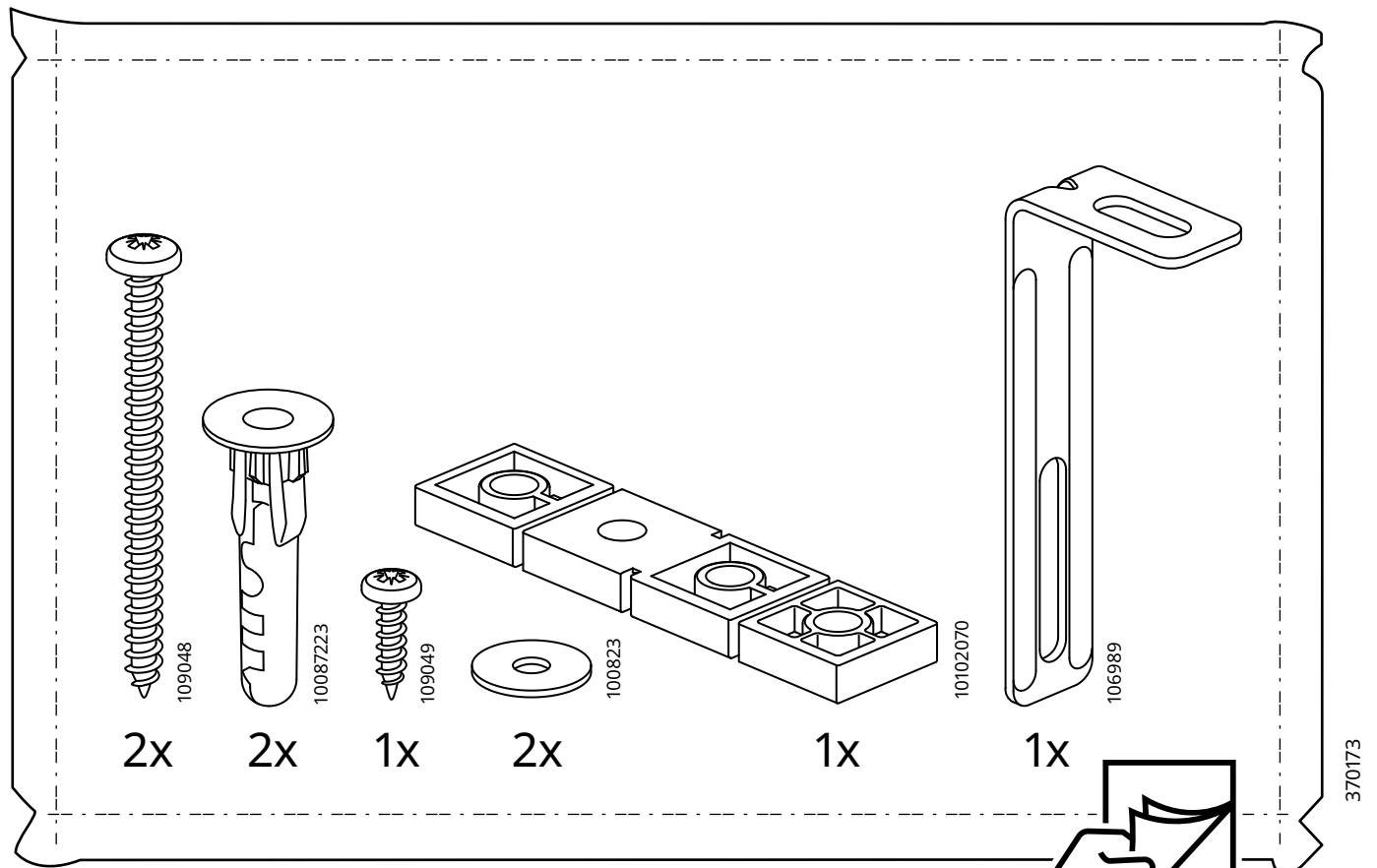
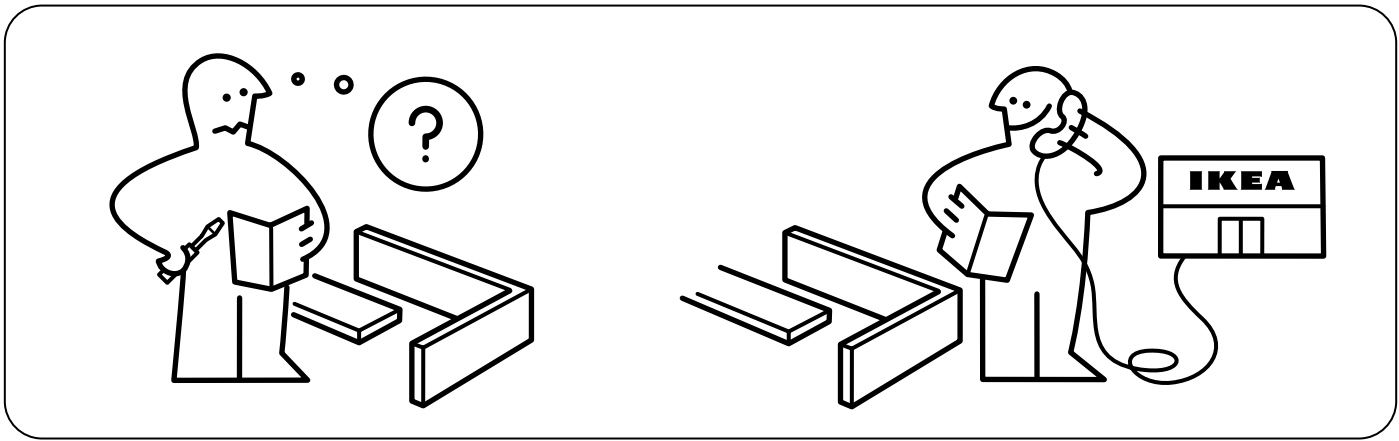
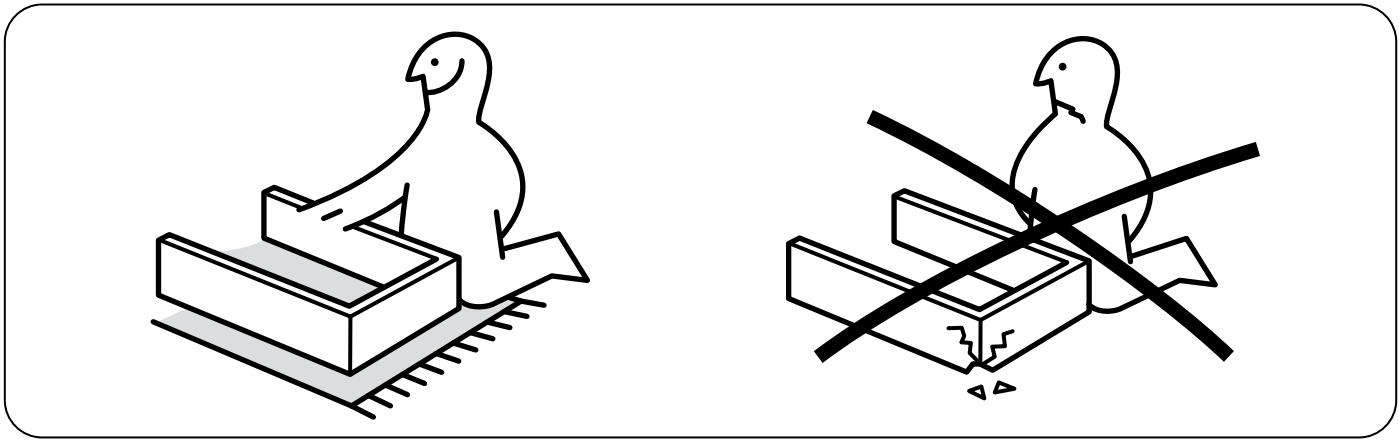
DO NOT defeat or remove the drawer interlock system; it is an important stability and safety system.

Place heaviest items in the lowest drawers.

English

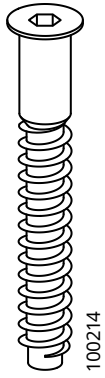
Read and follow each step of the instruction carefully.





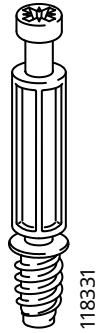
370173

1



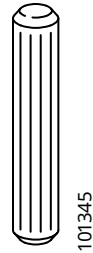
8x

100214



22x

118331



30x

101345



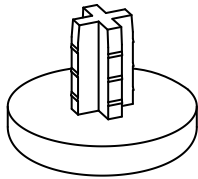
4x

105811



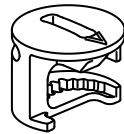
18x

146114



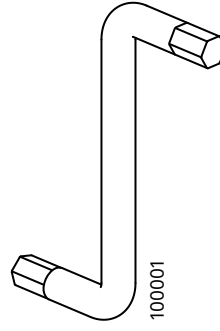
4x

153552



22x

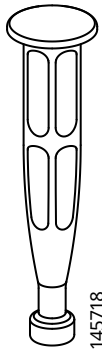
119030



1x

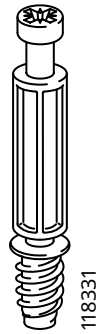
100001

2



12x

145718



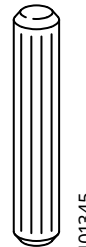
12x

118331



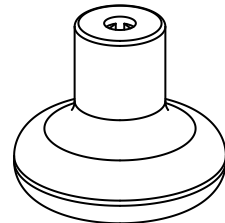
6x

109563



6x

101345



6x

10099670



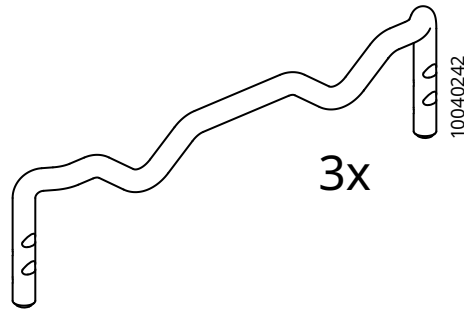
24x

119030



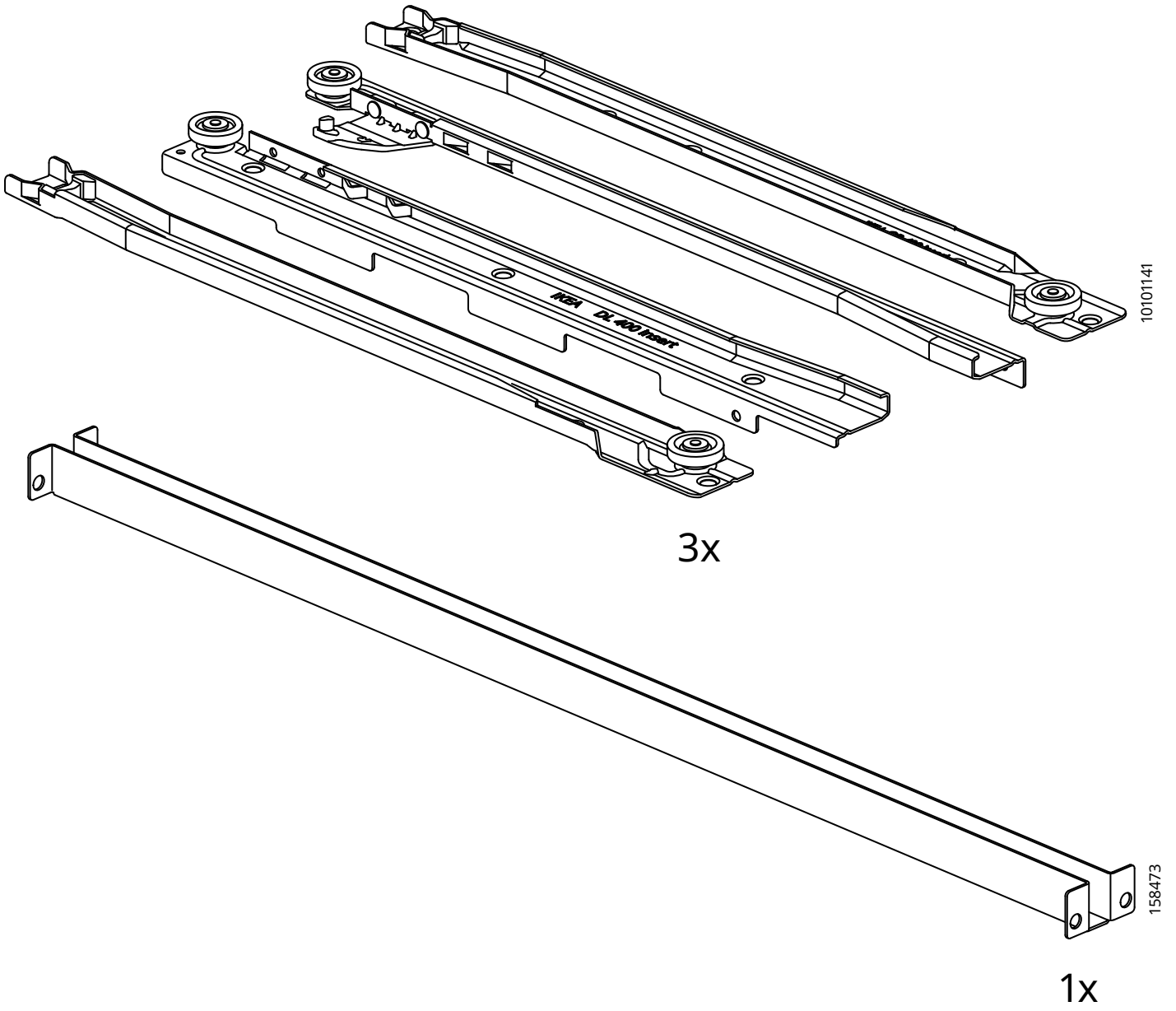
18x

146114



3x

10040242

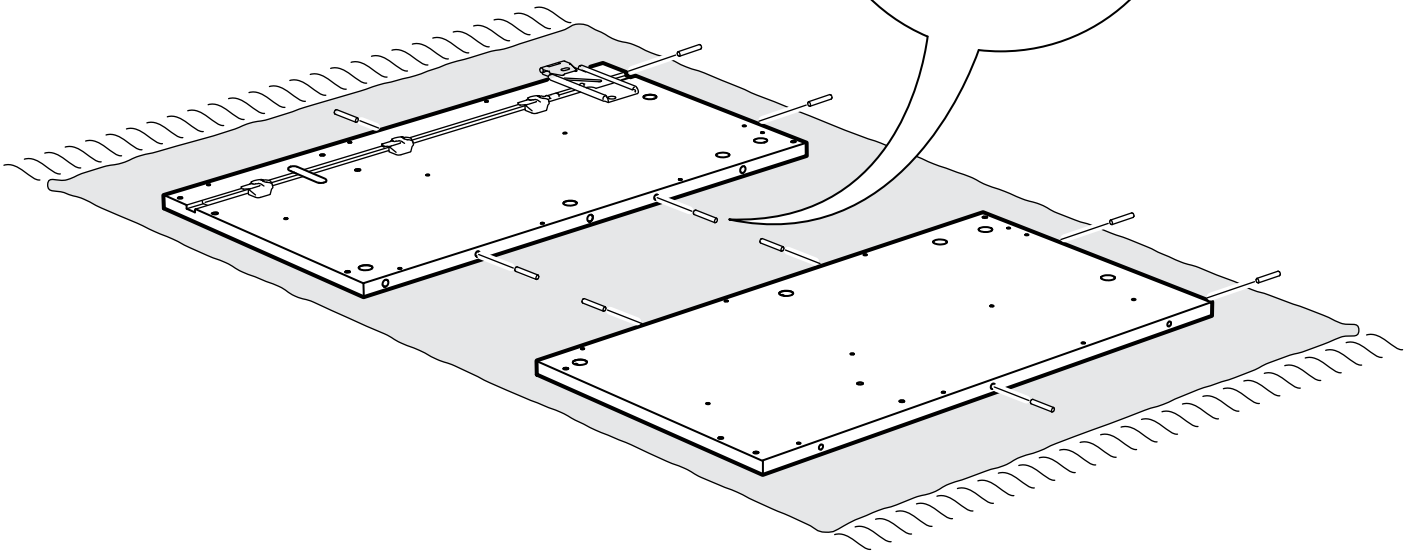


1

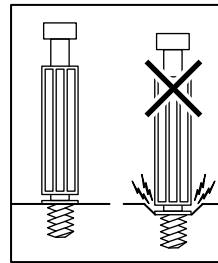


10x

101345

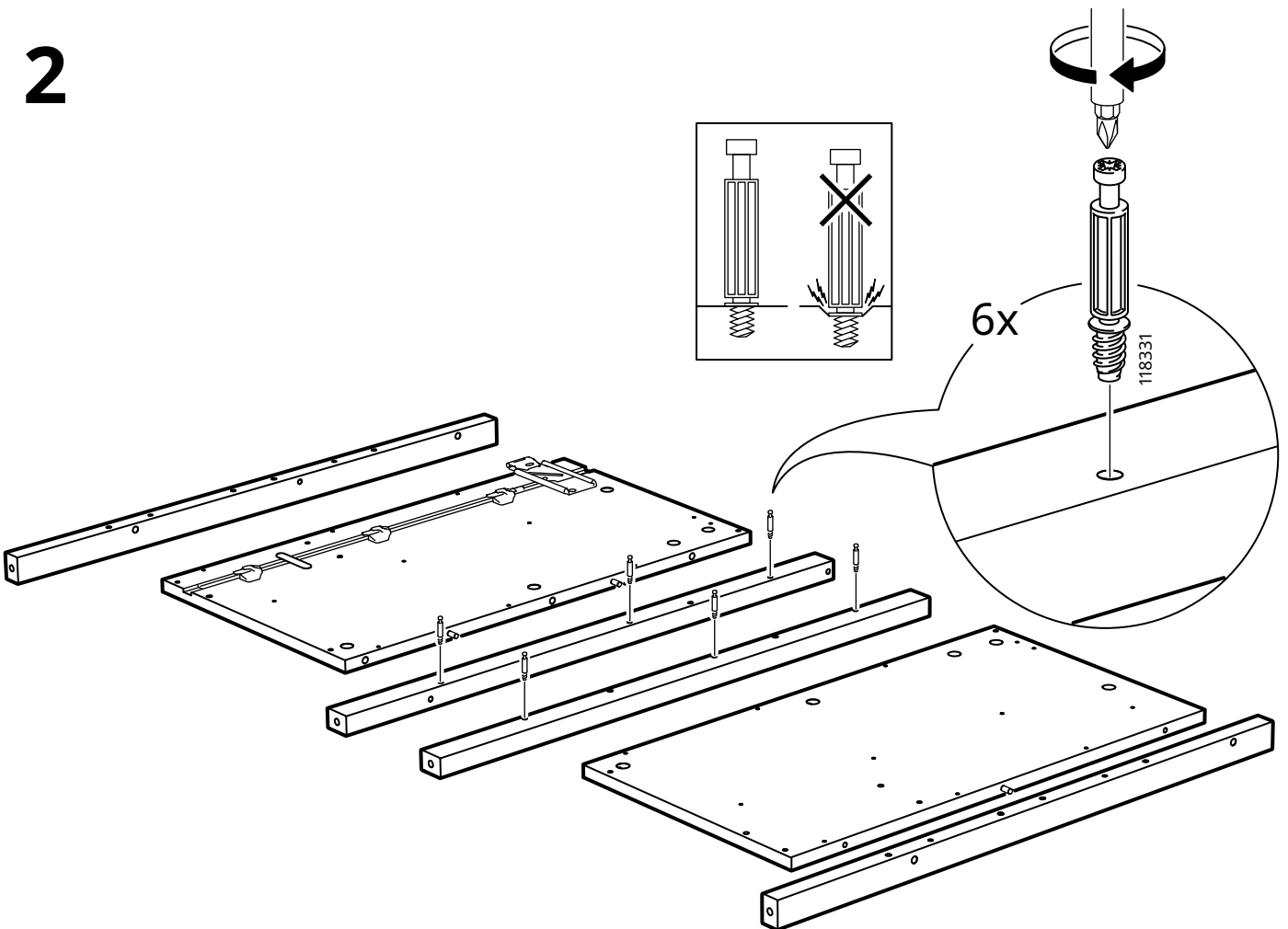


2

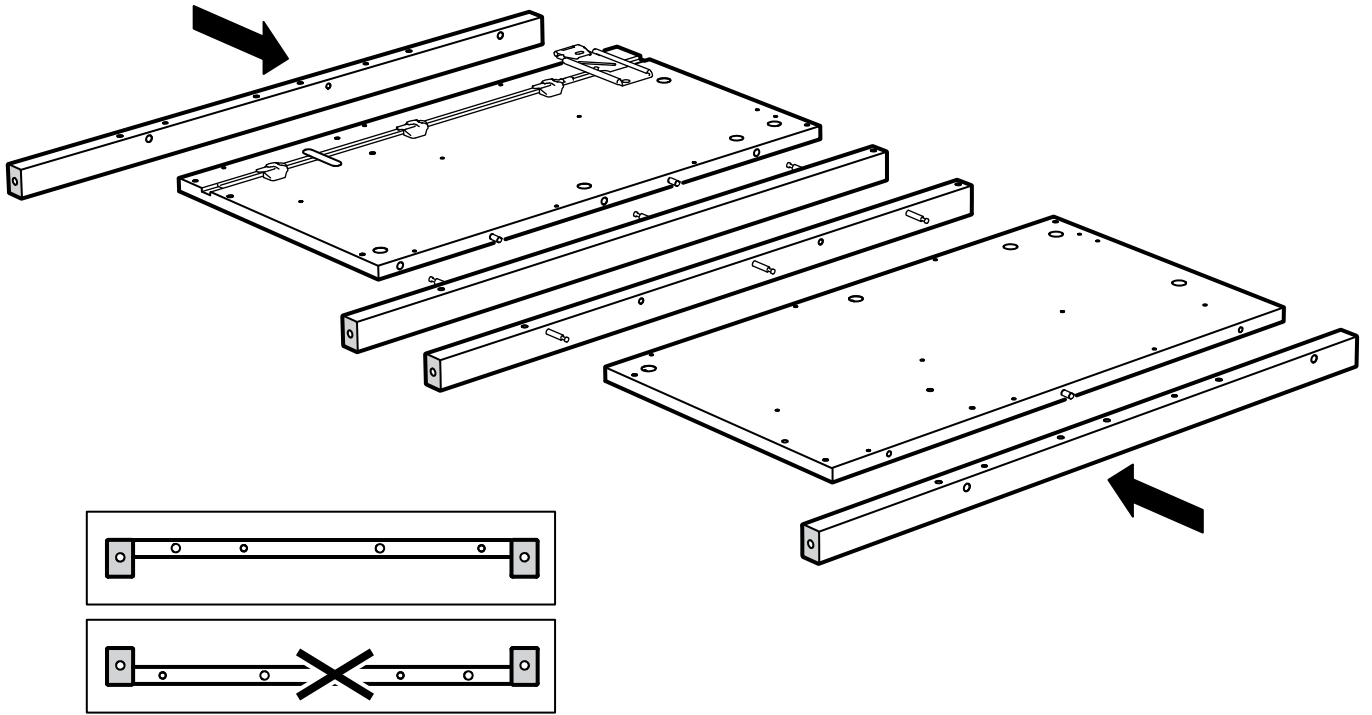


6x

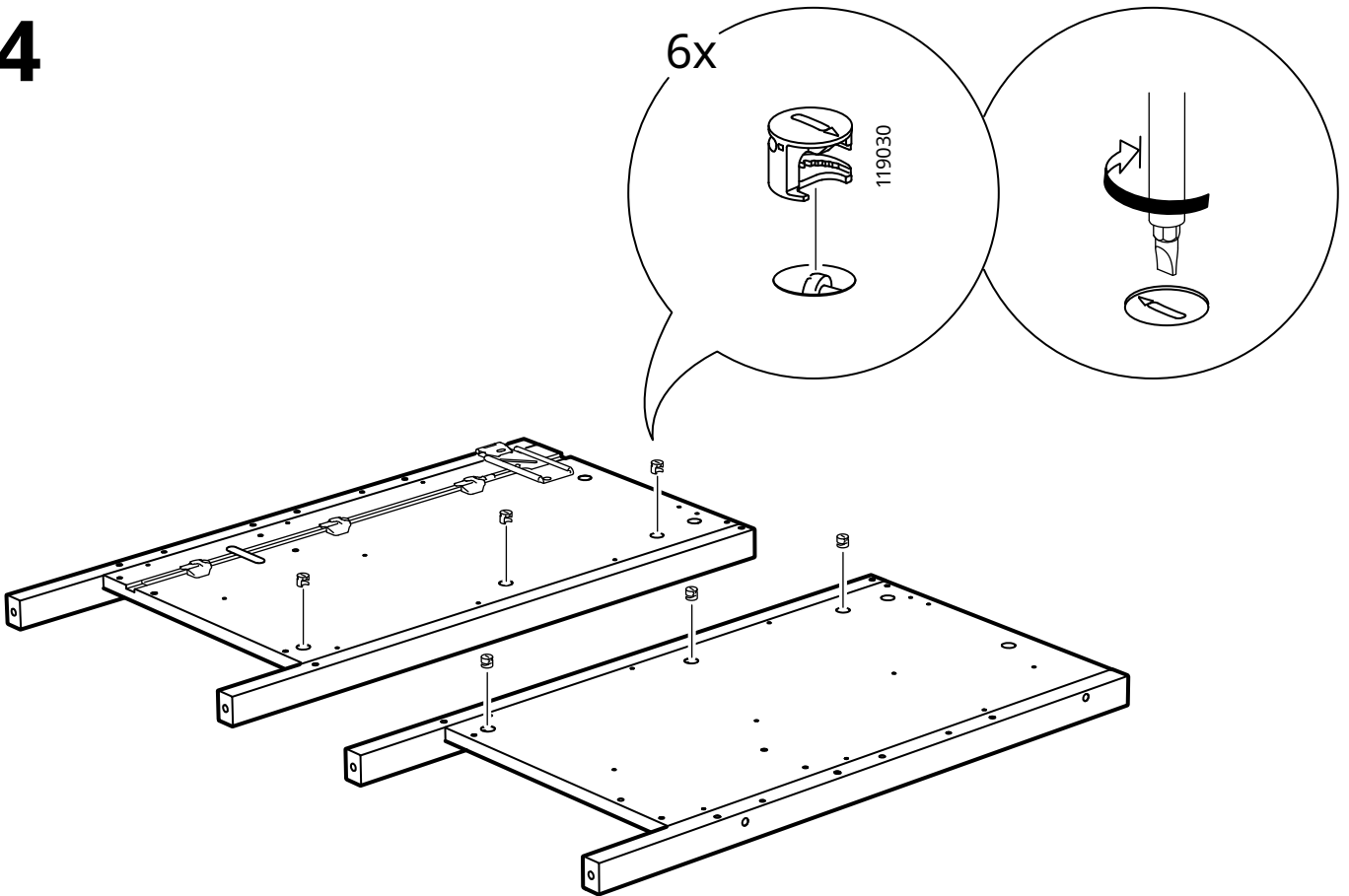
118331



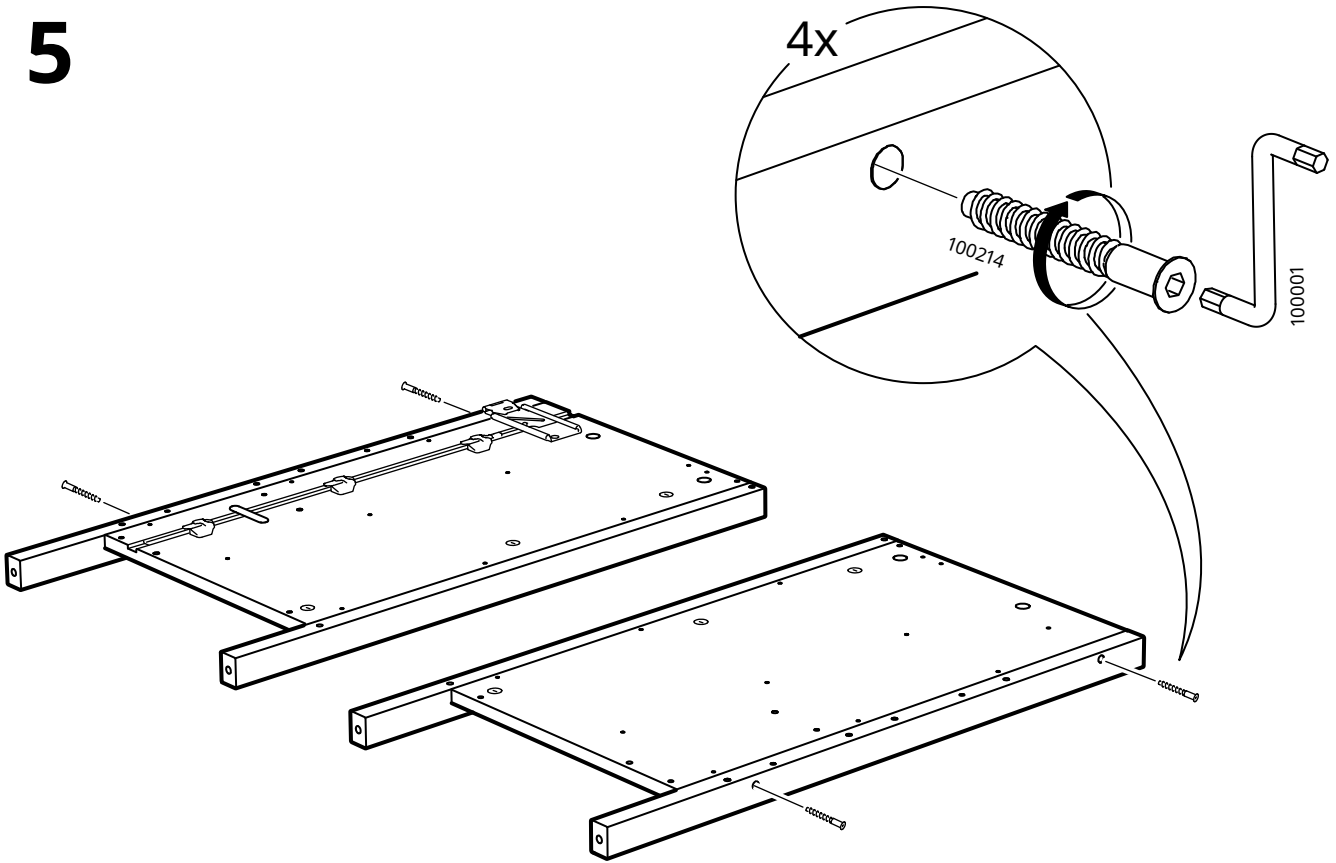
3



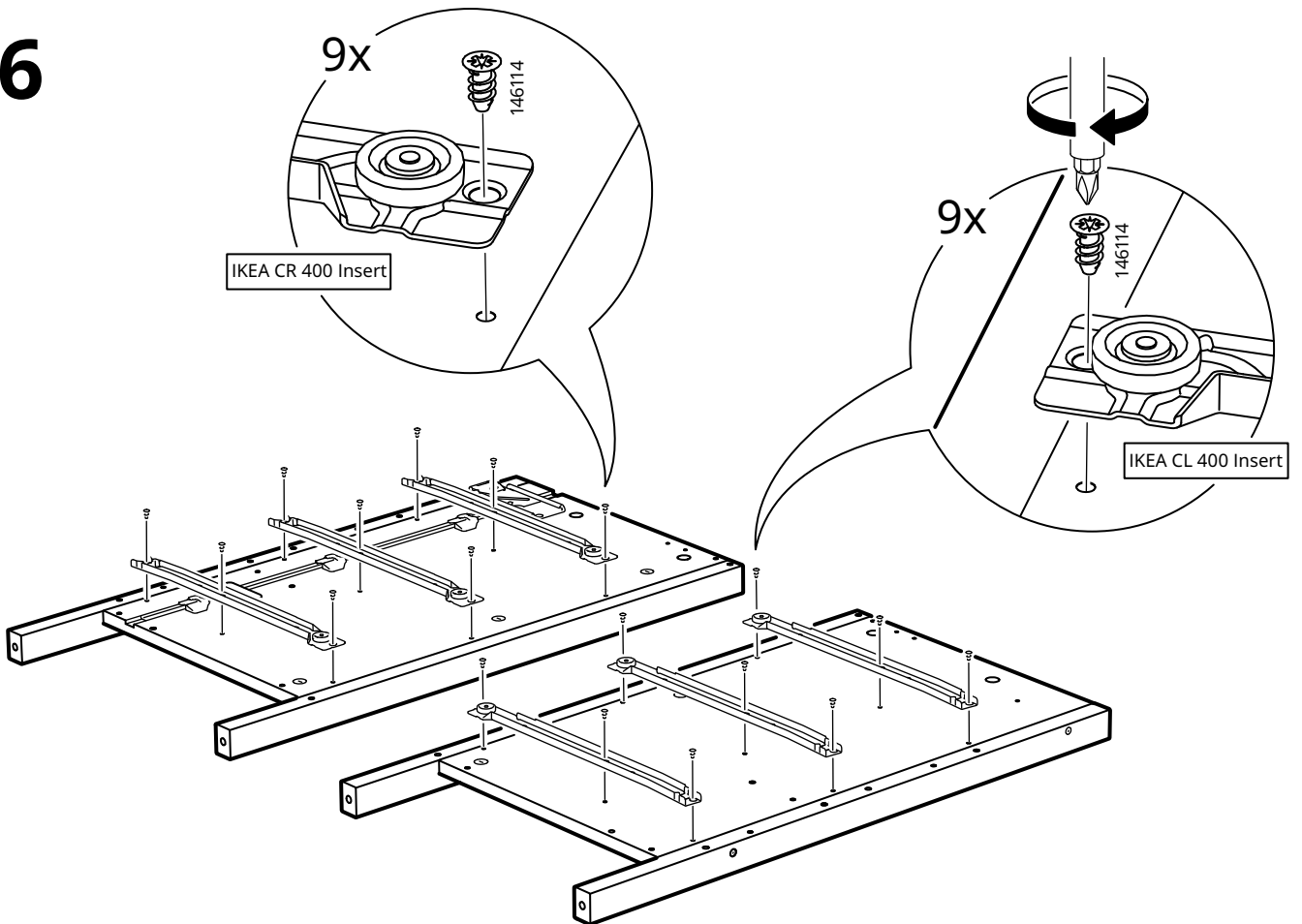
4



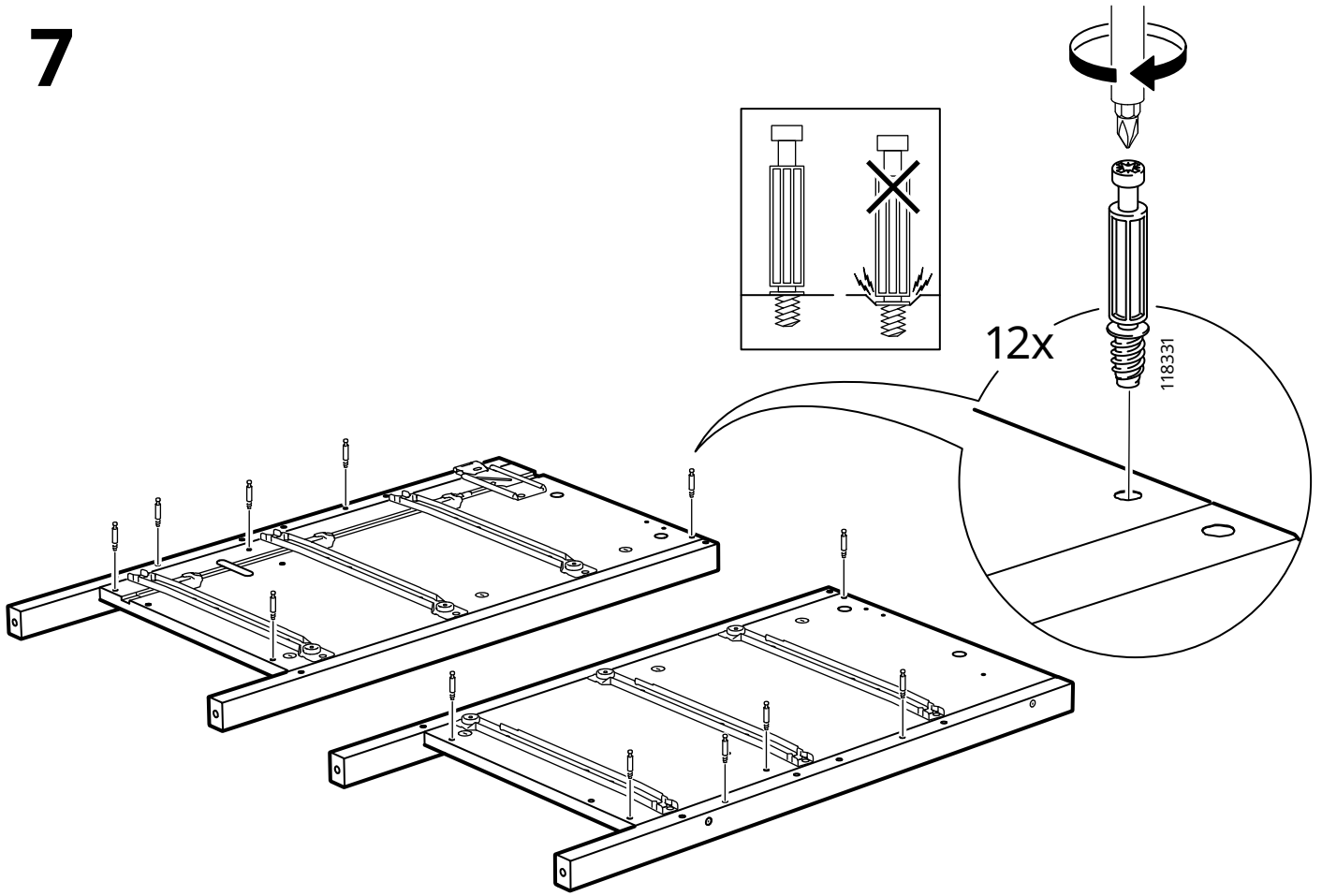
5



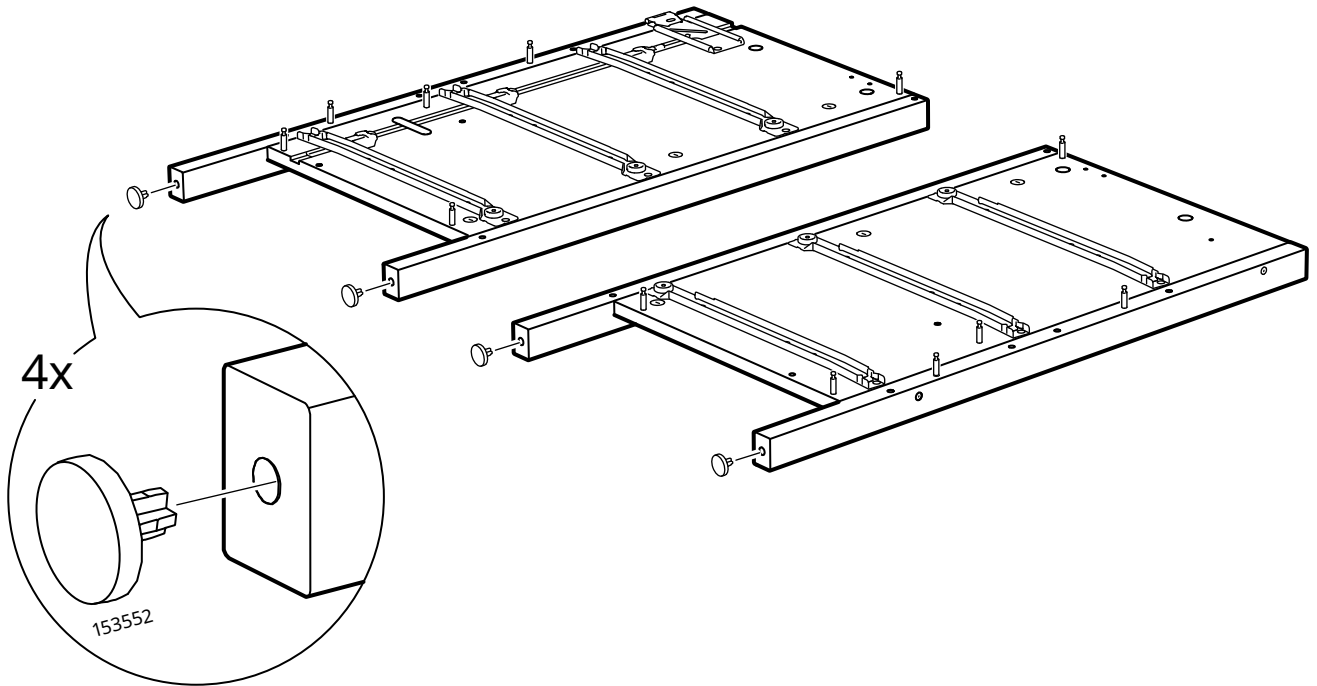
6



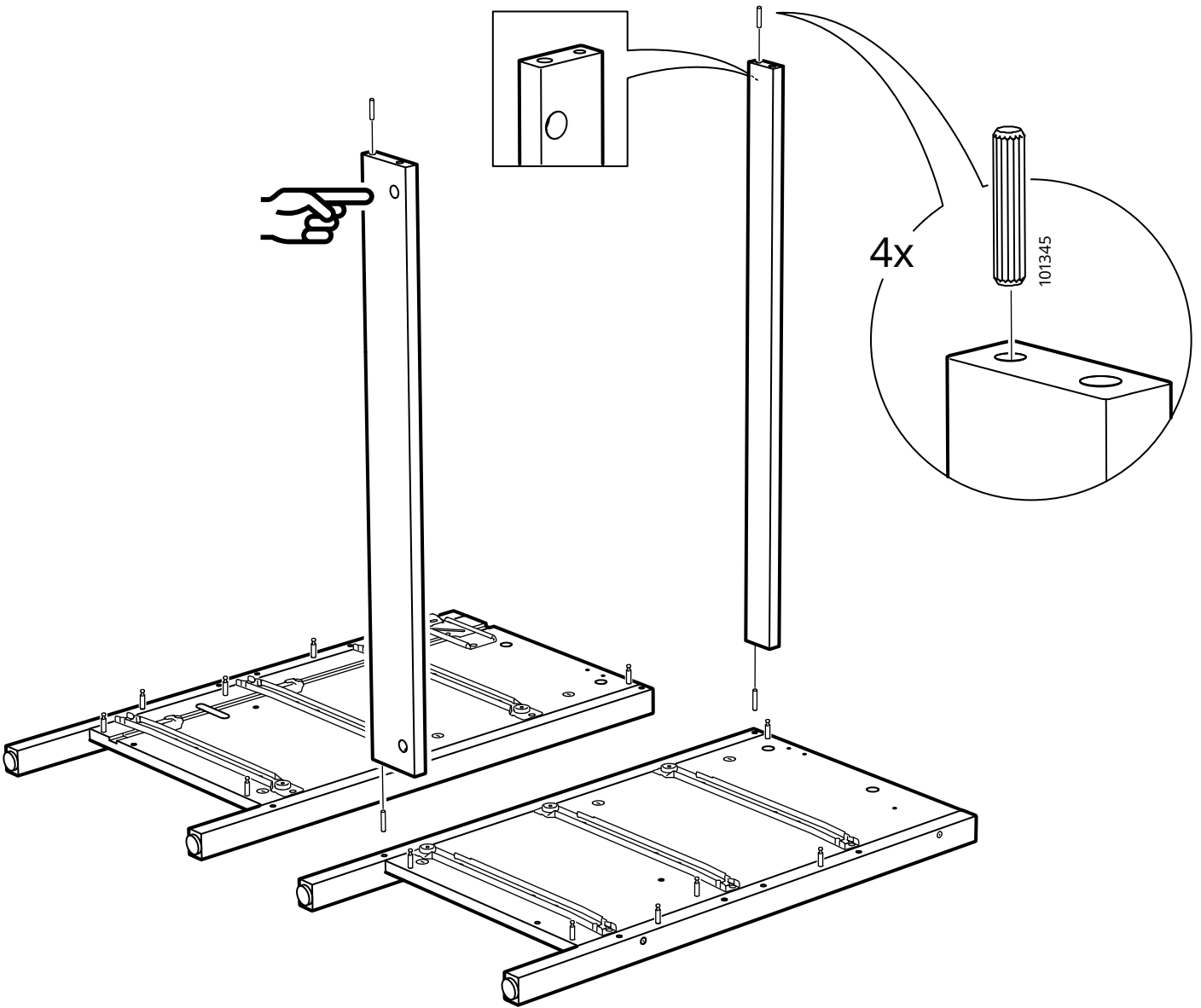
7



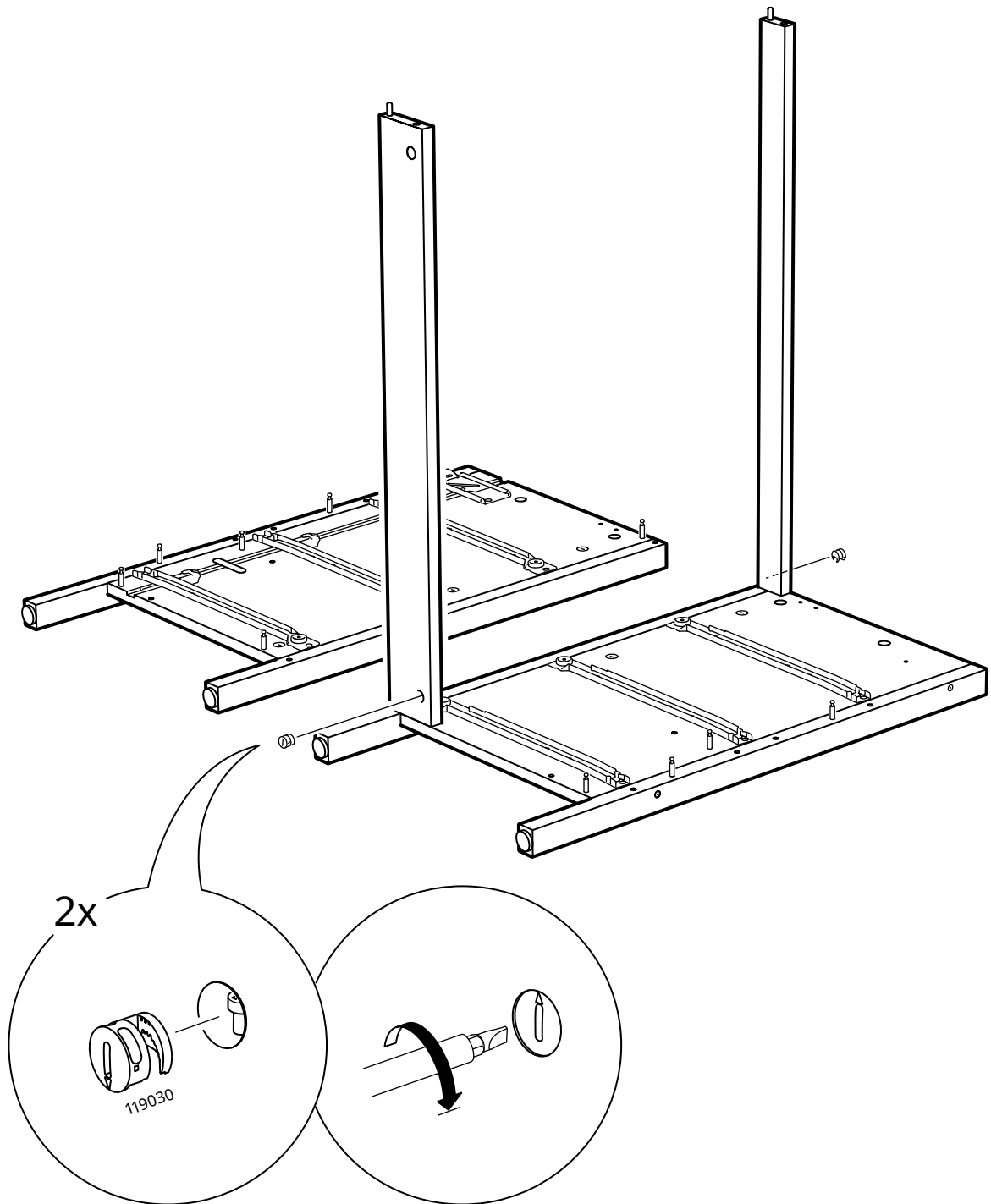
8

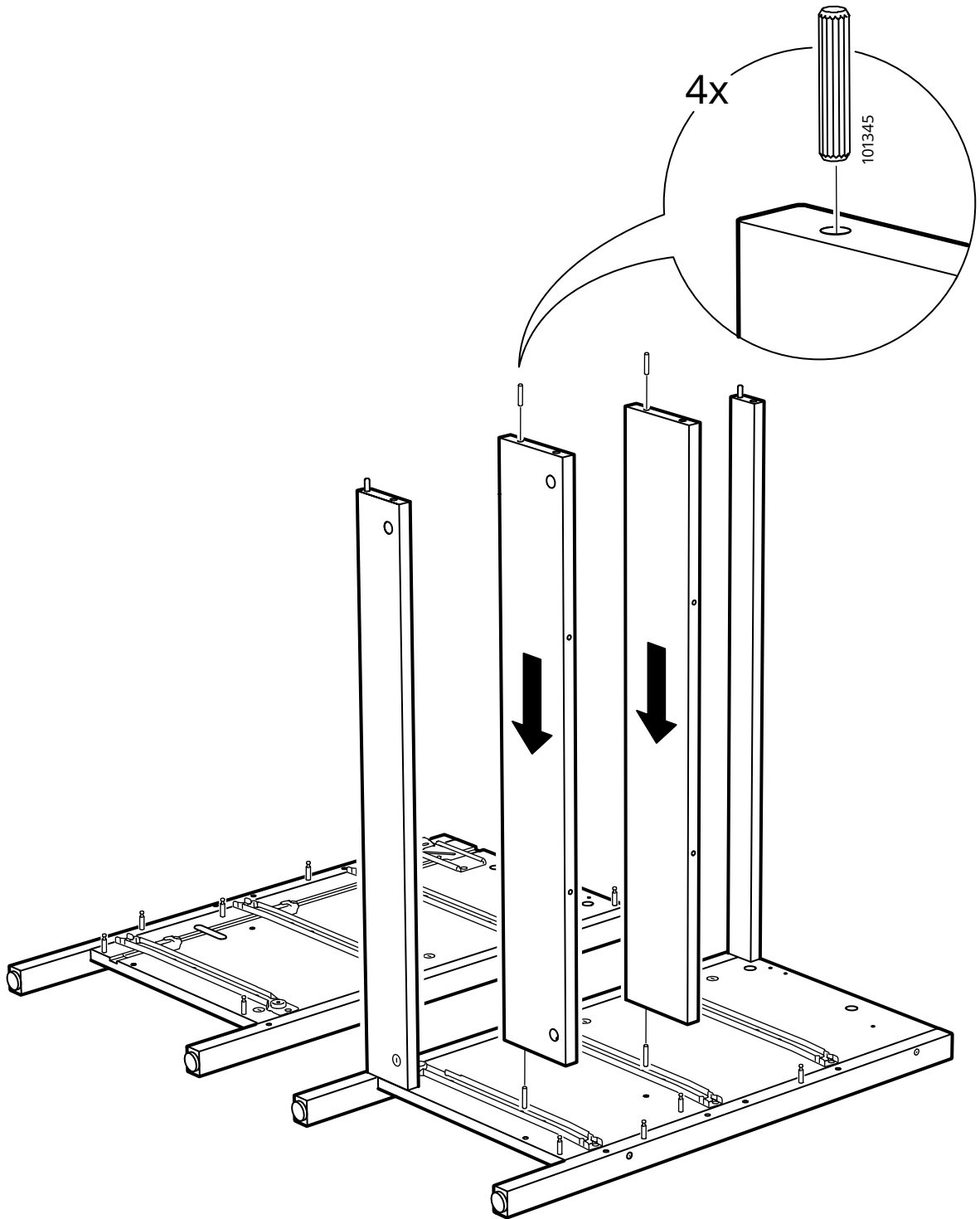


9

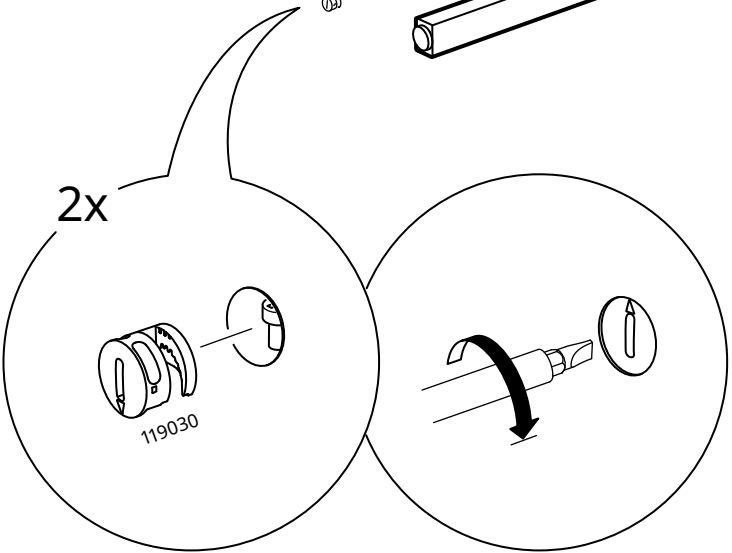
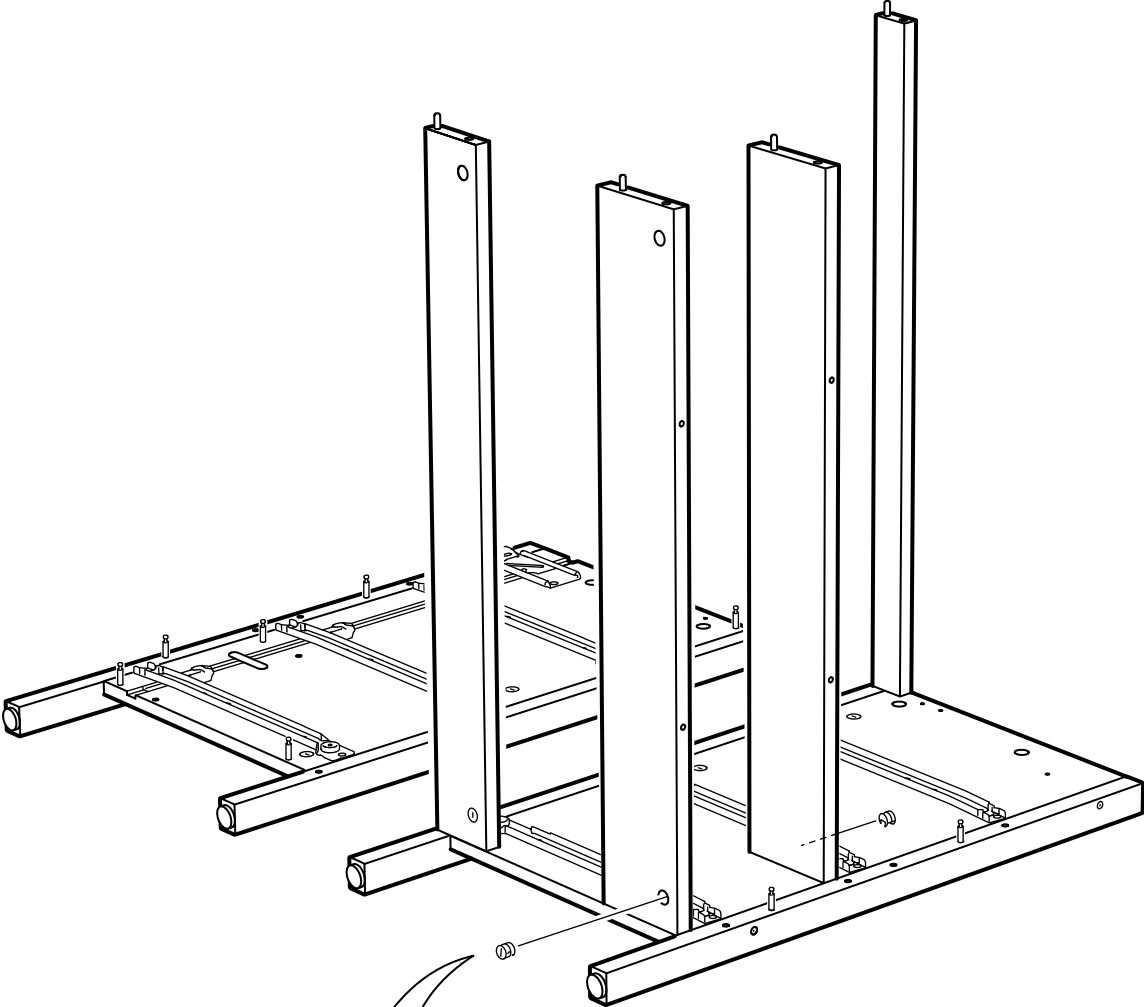


10

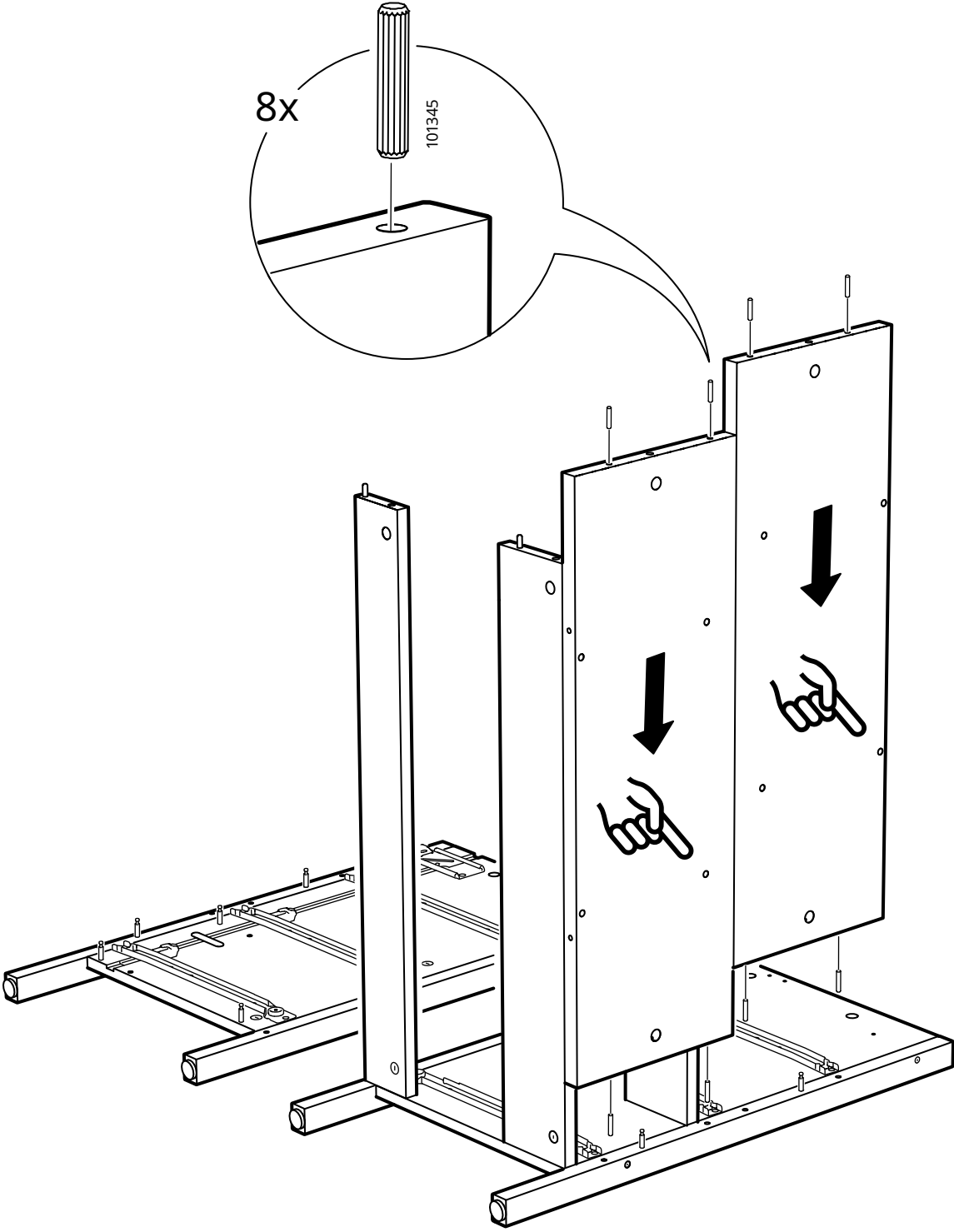




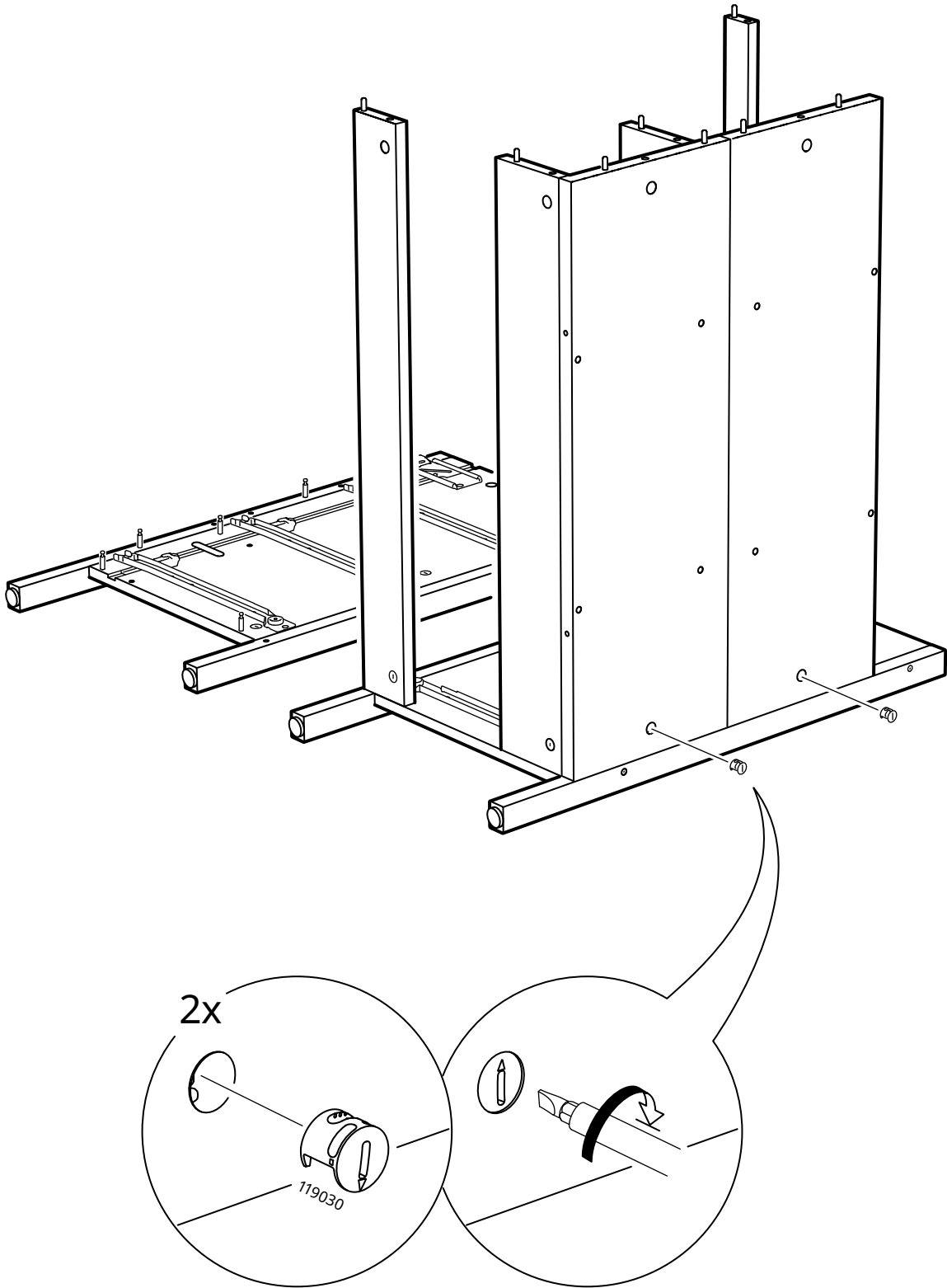
12

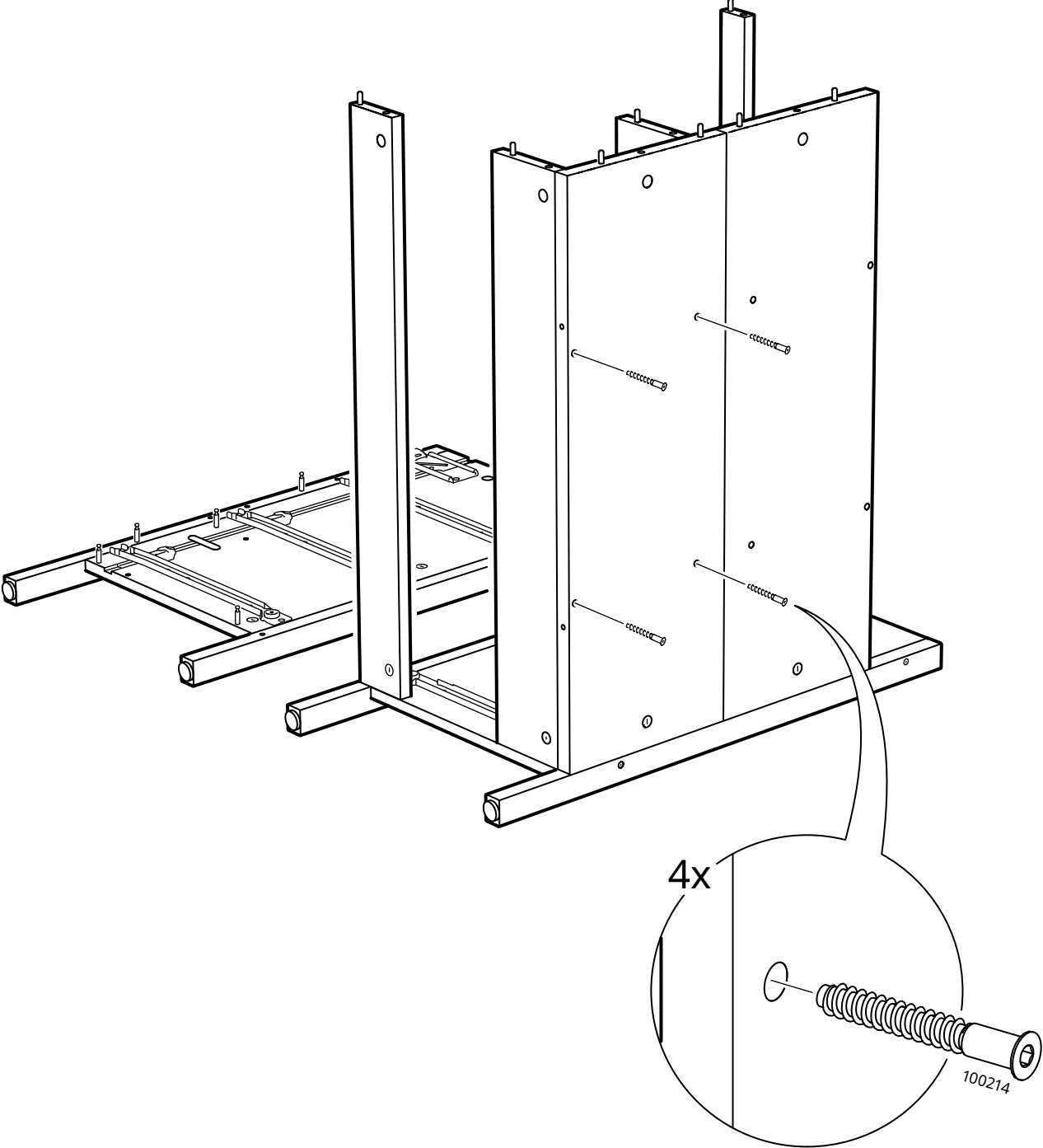


13

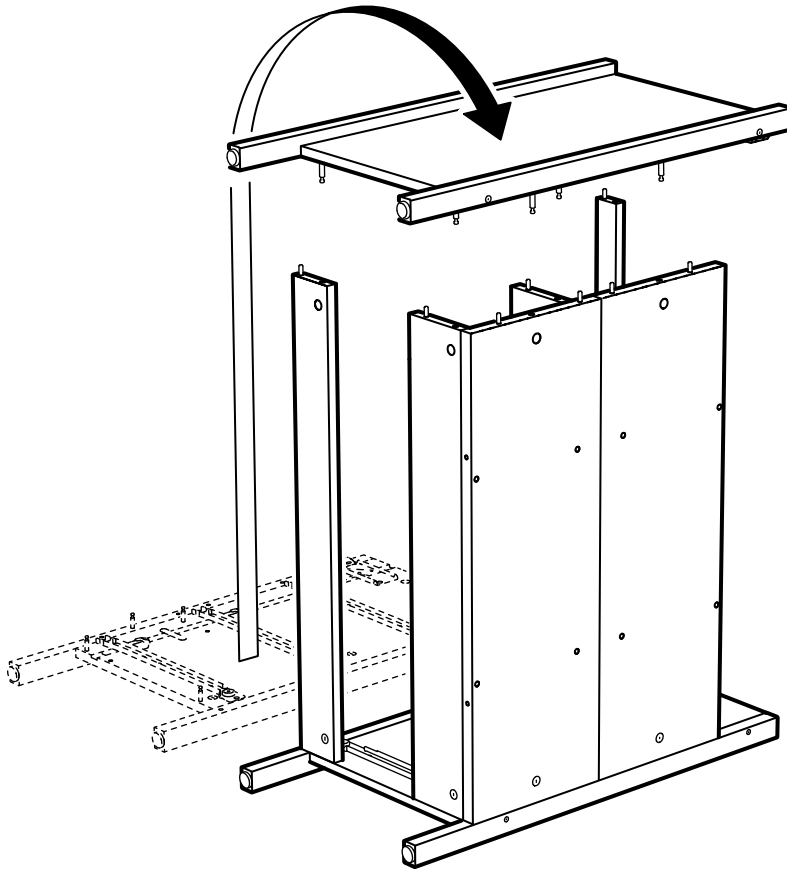


14

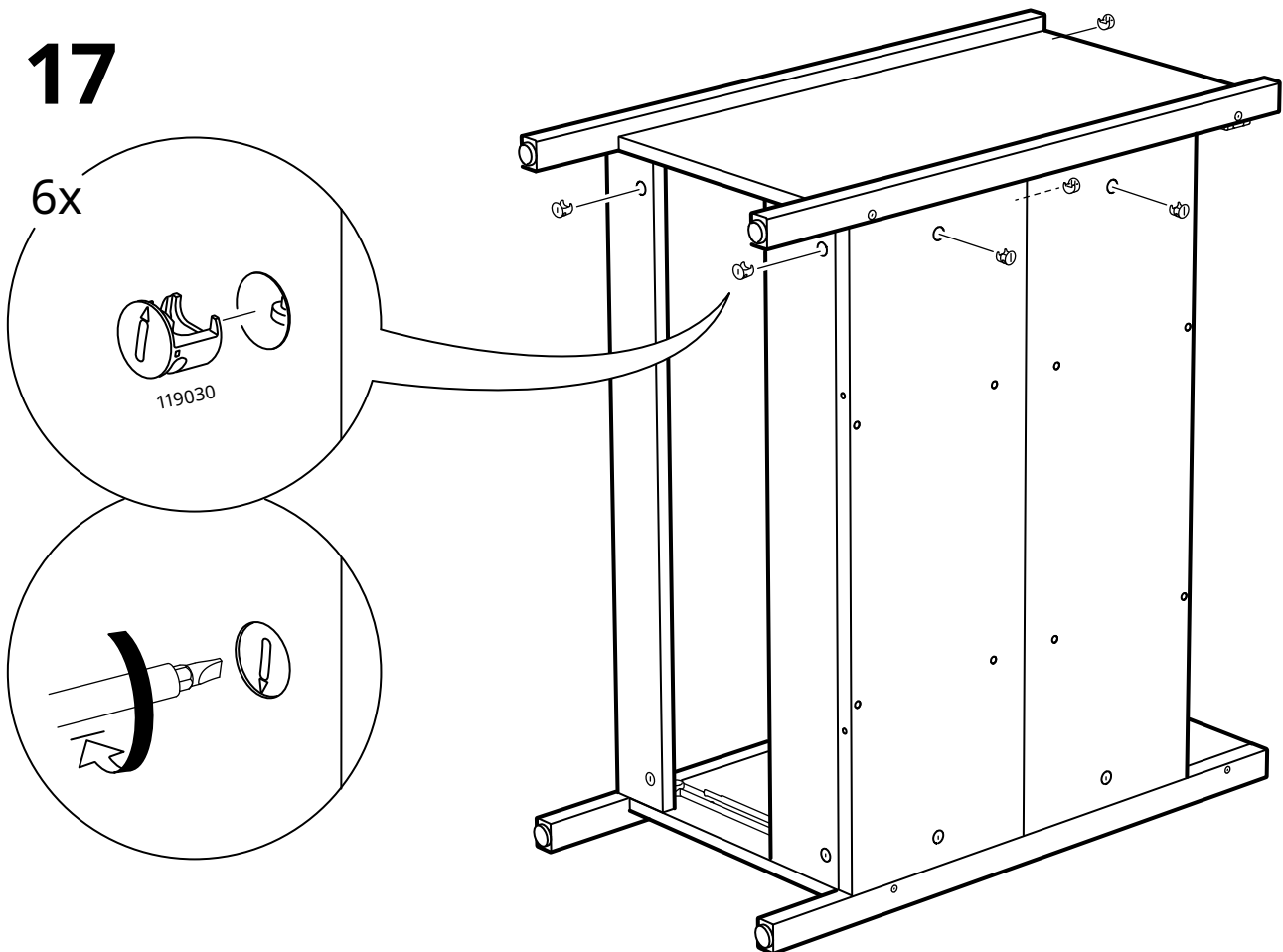


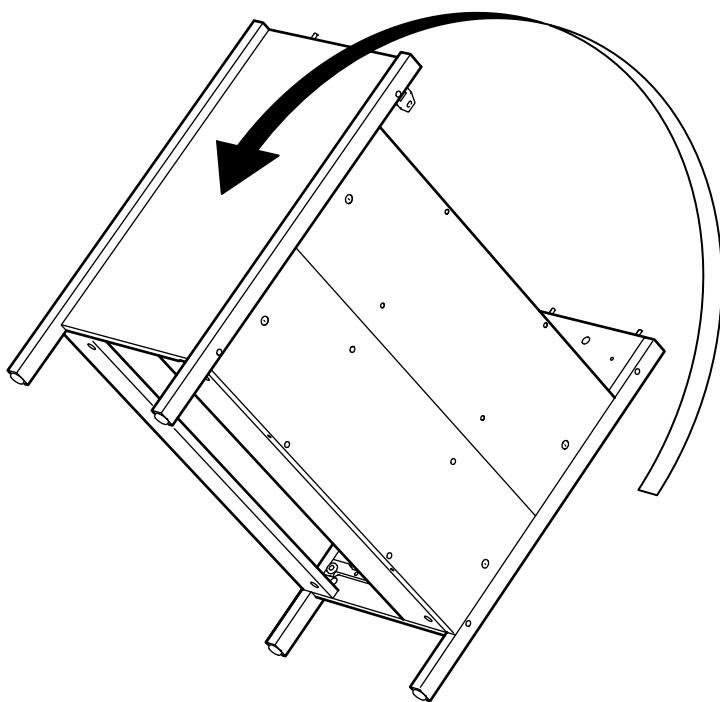


16

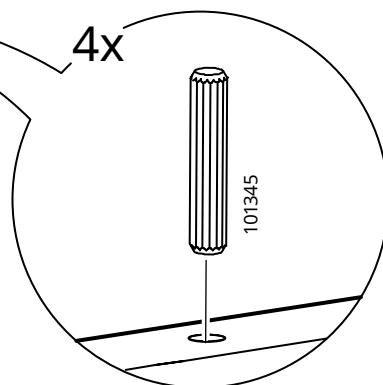
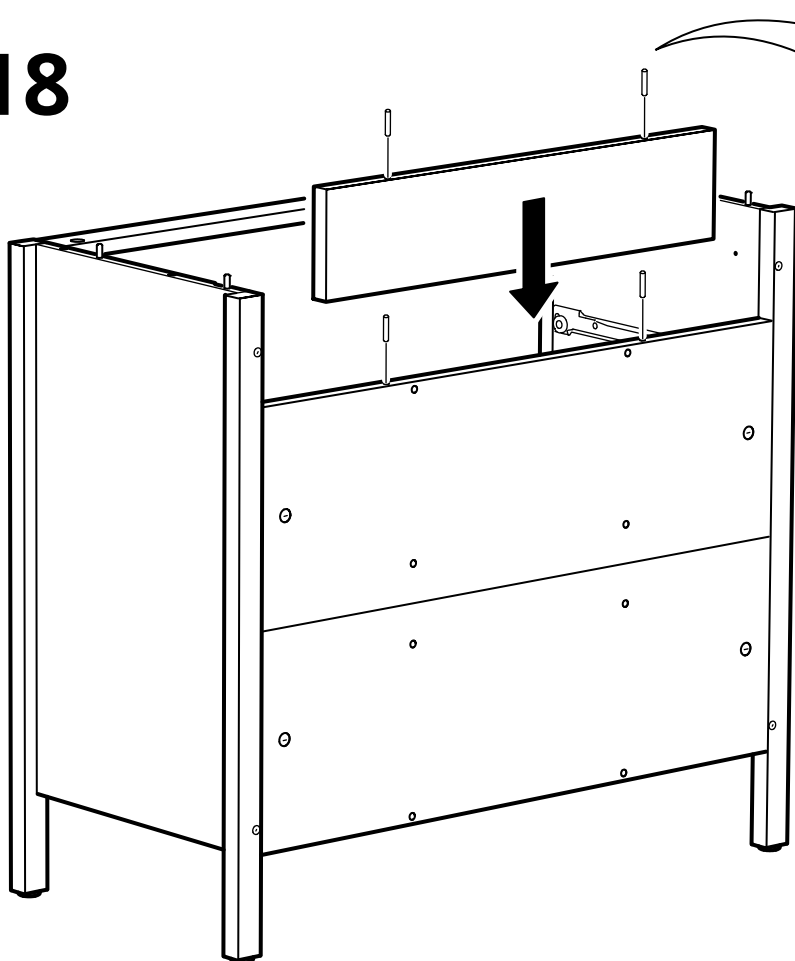


17

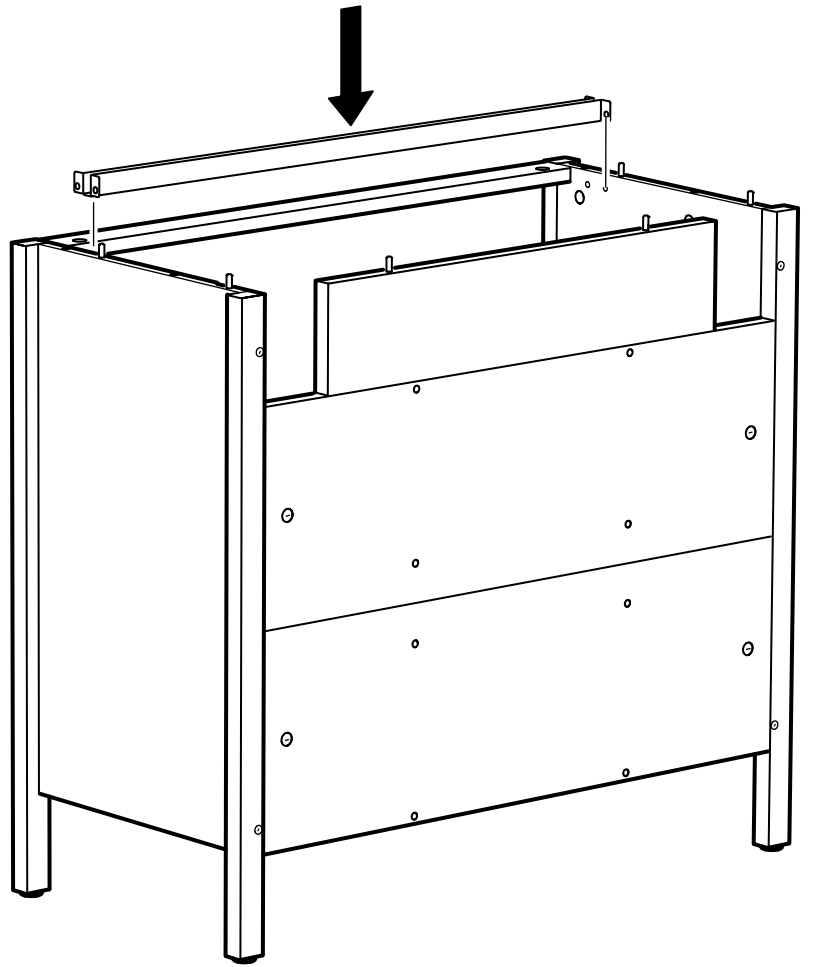
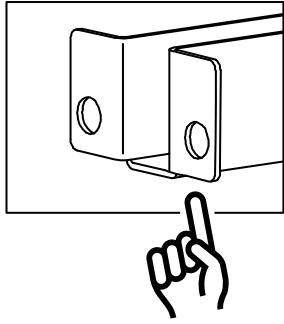




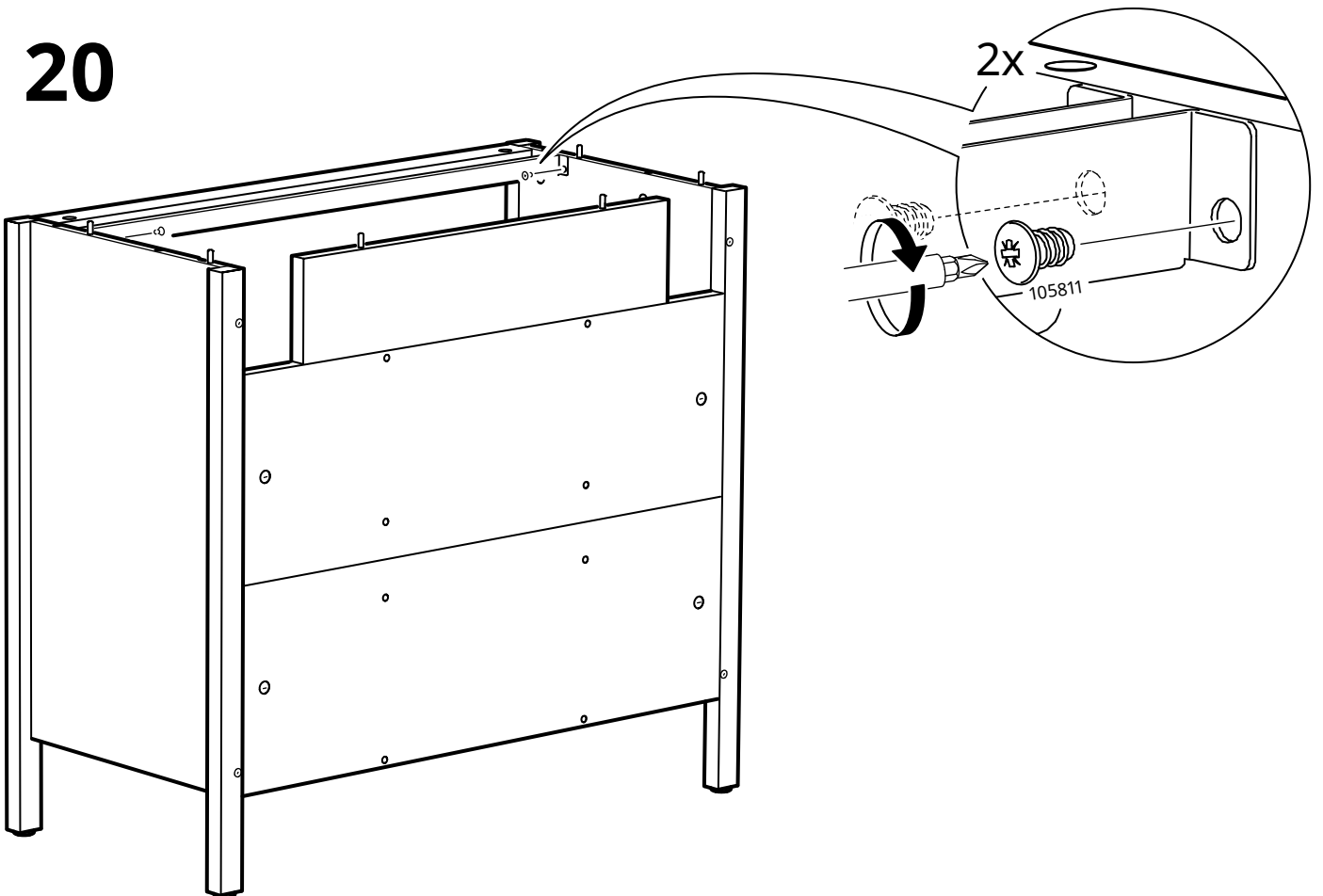
18



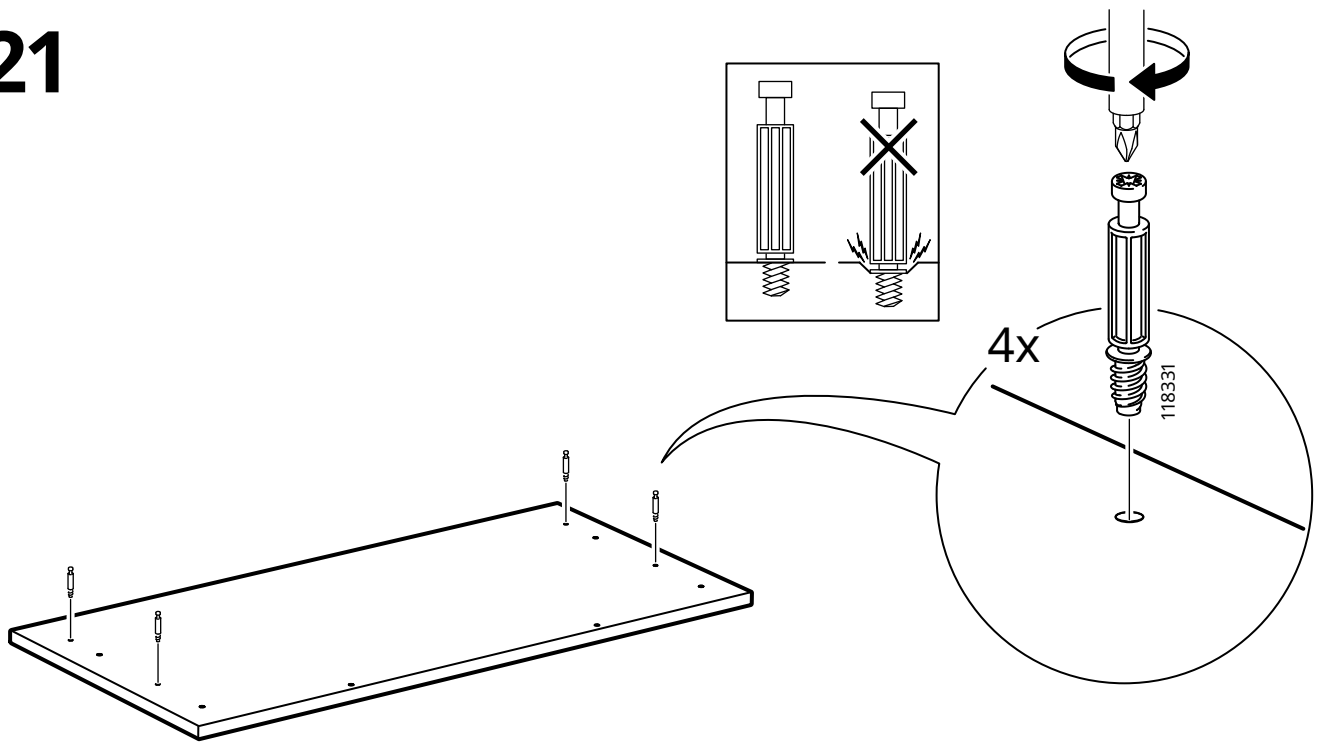
19



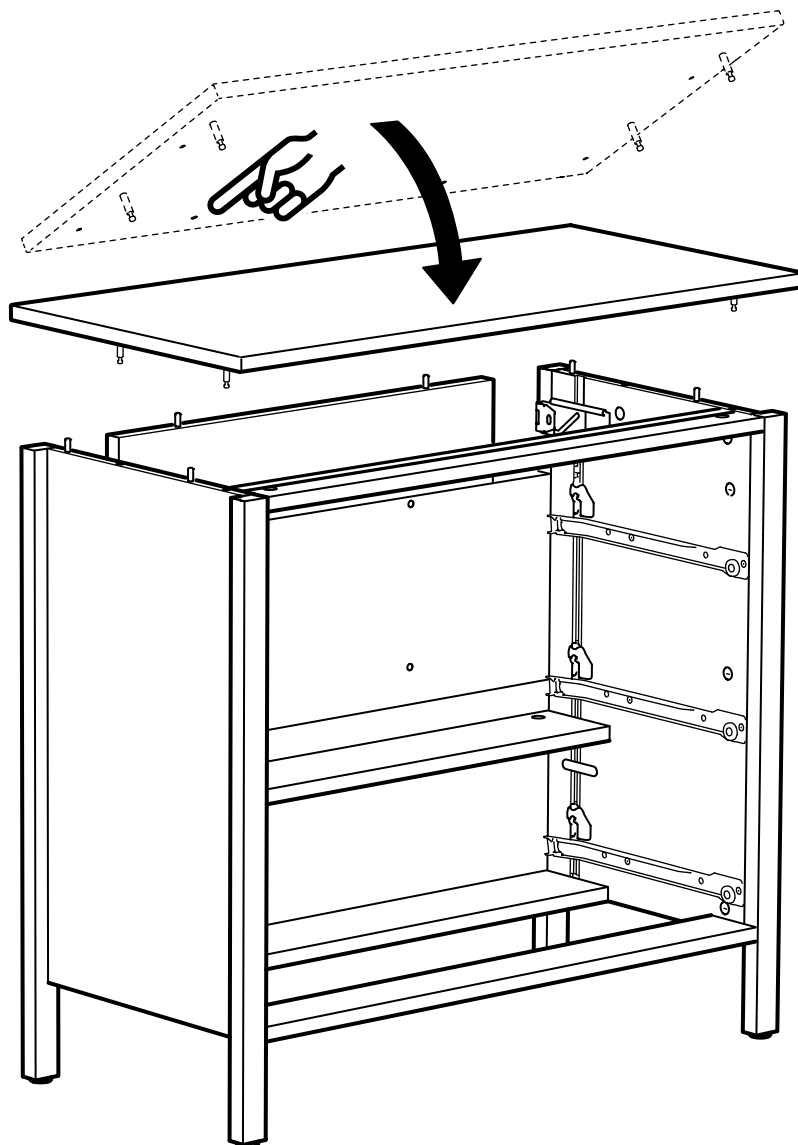
20



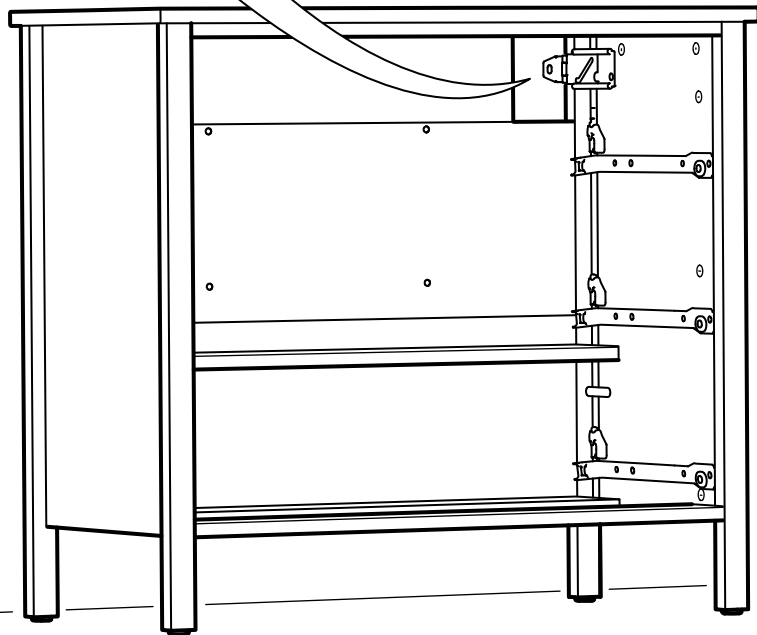
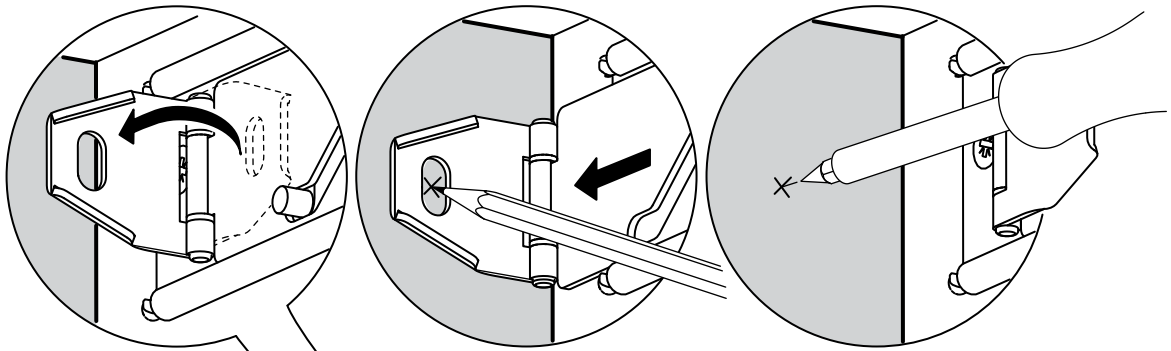
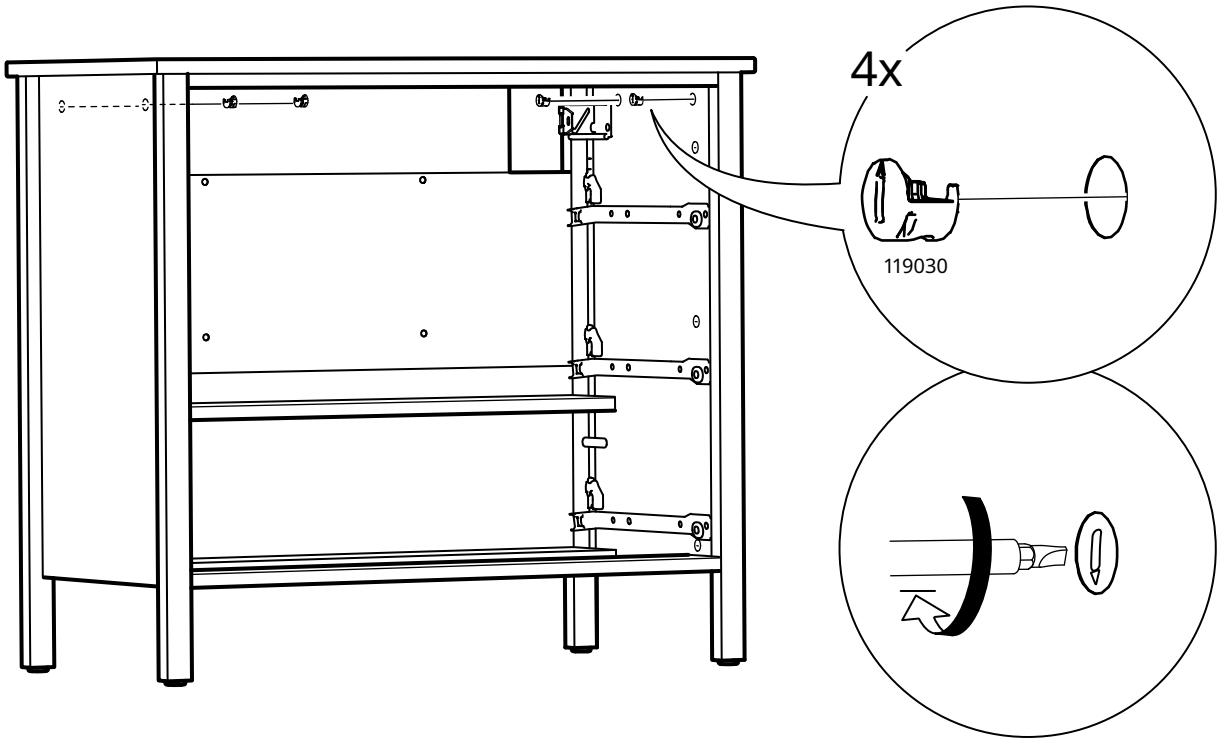
21



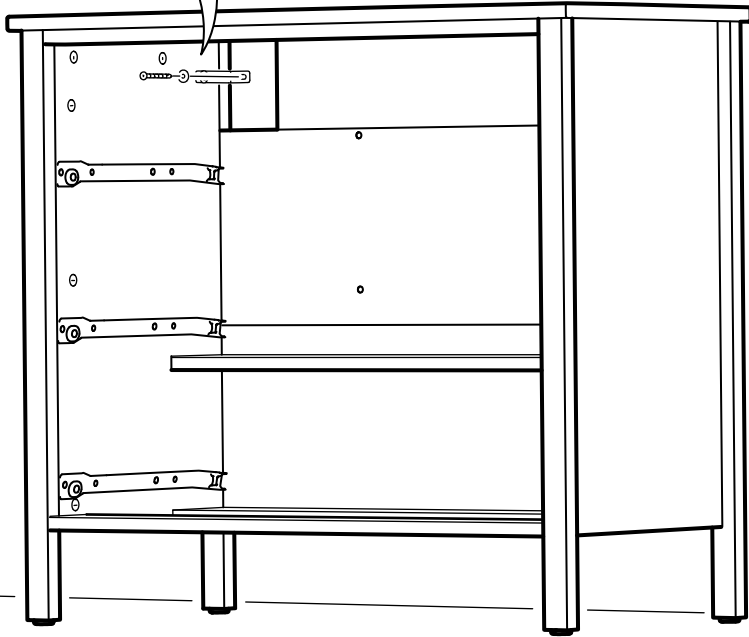
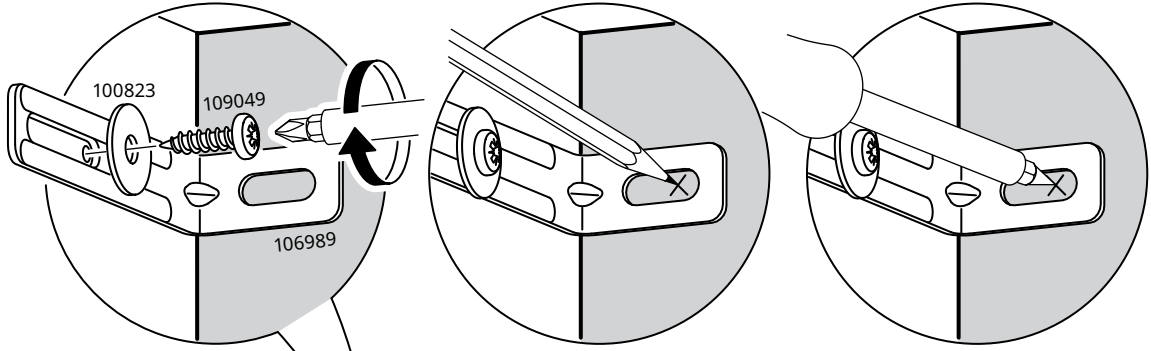
22



23



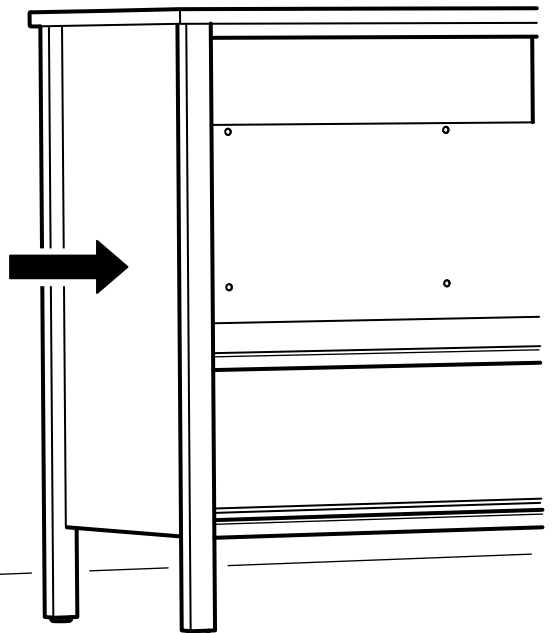
24



25

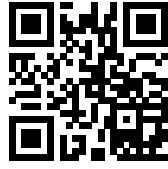
×

×

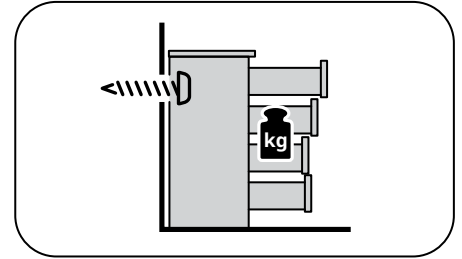




www.IKEA.com/secure-it



www.IKEA.cn/secure-it



English

The screw(s) and plug(s) supplied can be used with most solid (A) and hollow (B) walls. For solid wood (C) use the screw(s) without plug(s). If you are uncertain, seek professional advice.

A

Ø 8 mm (5/16")

1

2
70 mm (2 3/4")

3

B

Ø 8 mm (5/16")

1

2
≈ 30 mm (≈ 1 1/4")

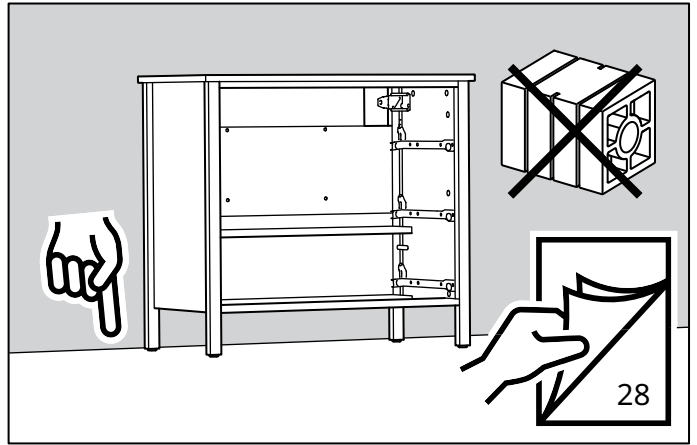
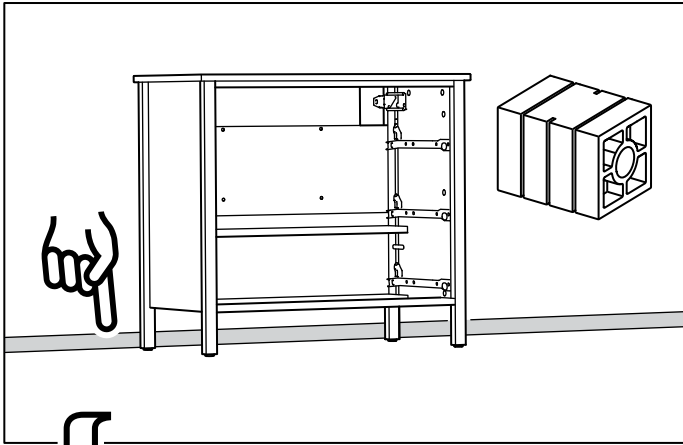
3

C

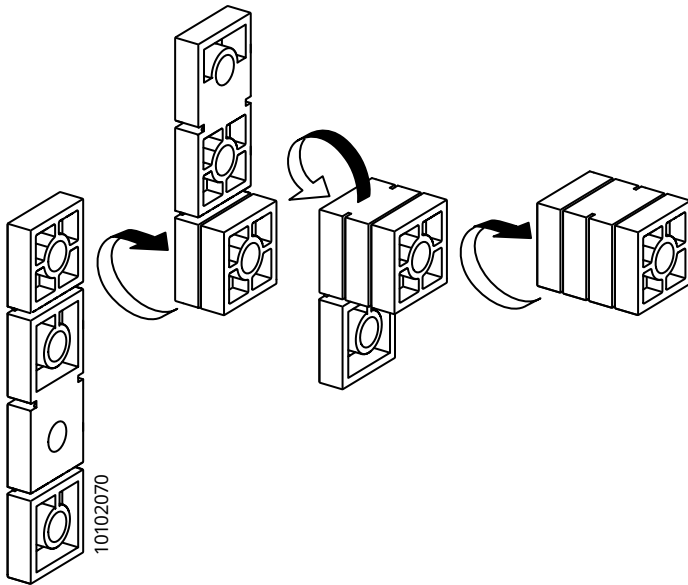
Ø 3 mm (1/8")

1

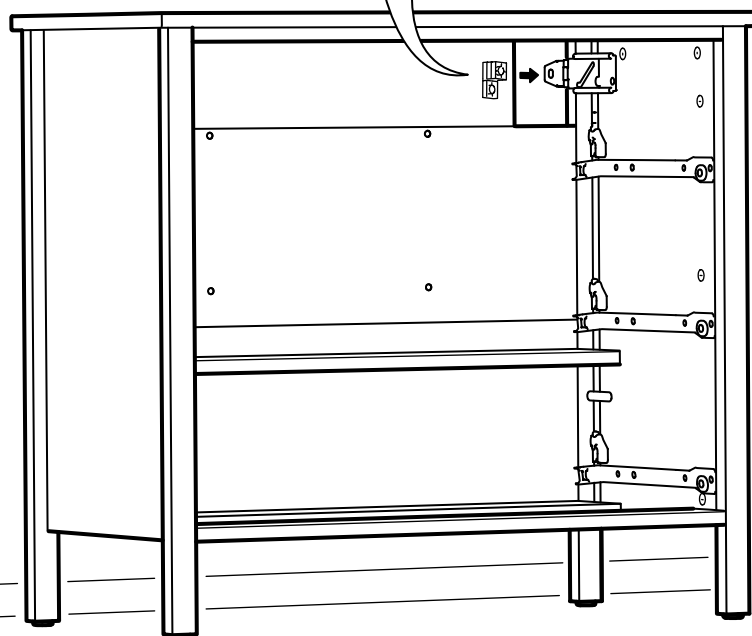
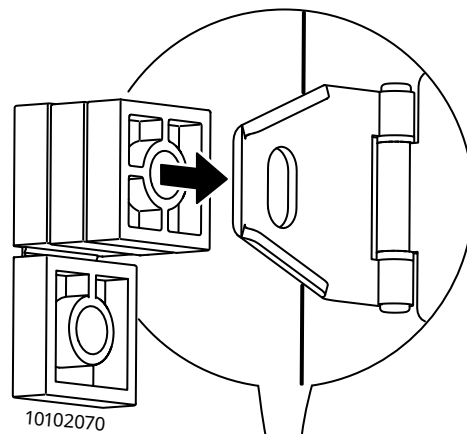
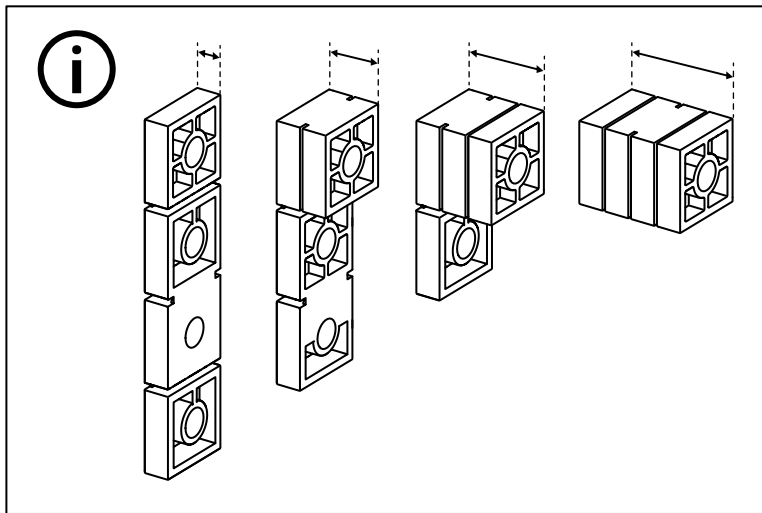
2
≈ 30 mm (≈ 1 1/4")

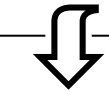
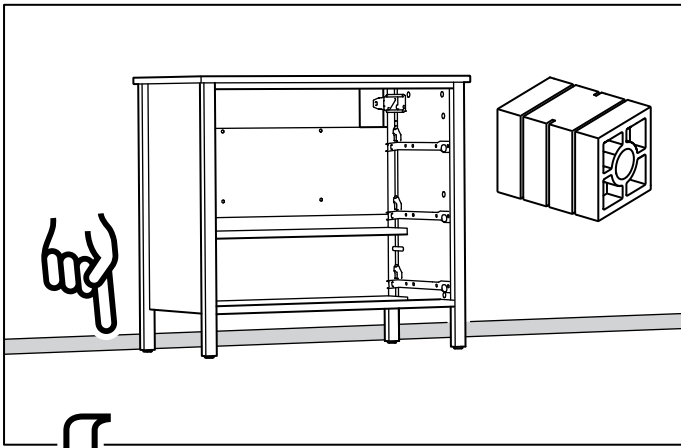


26

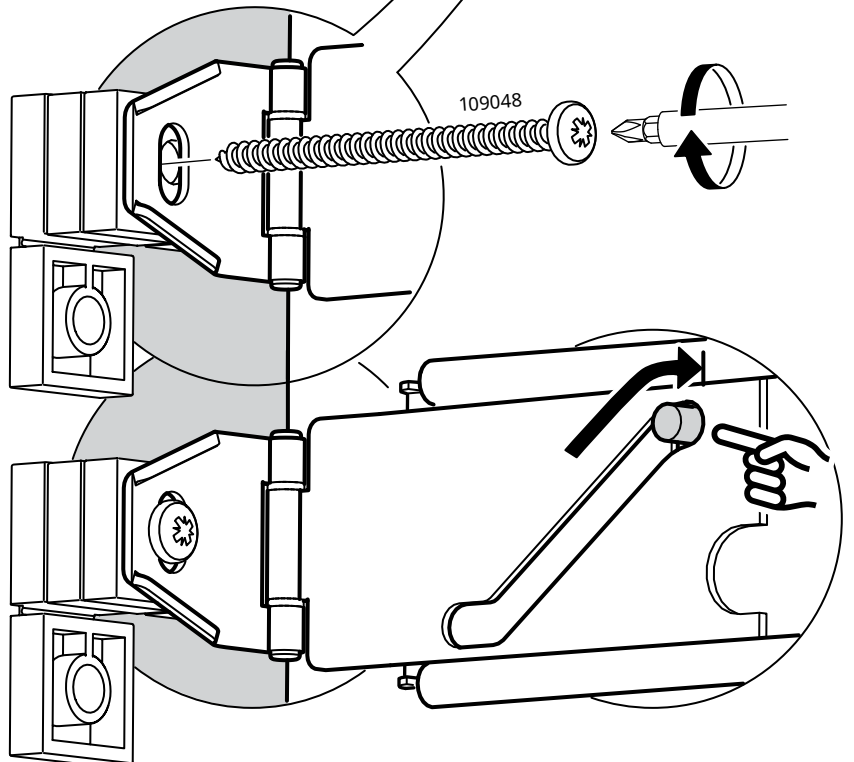
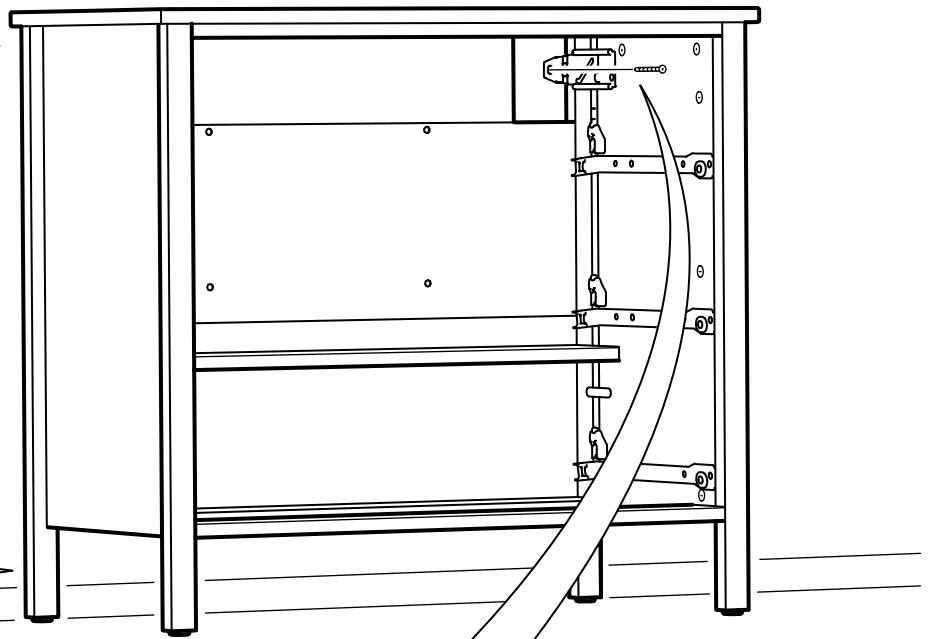
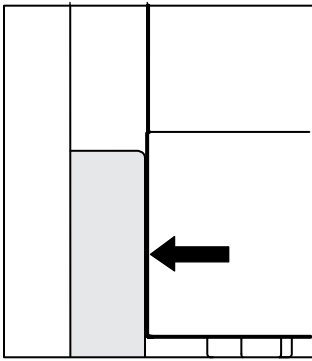
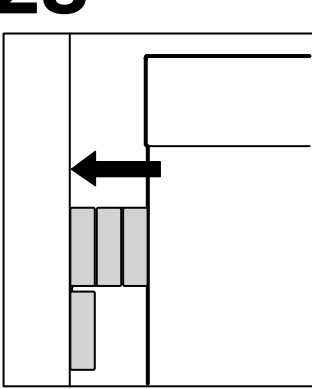


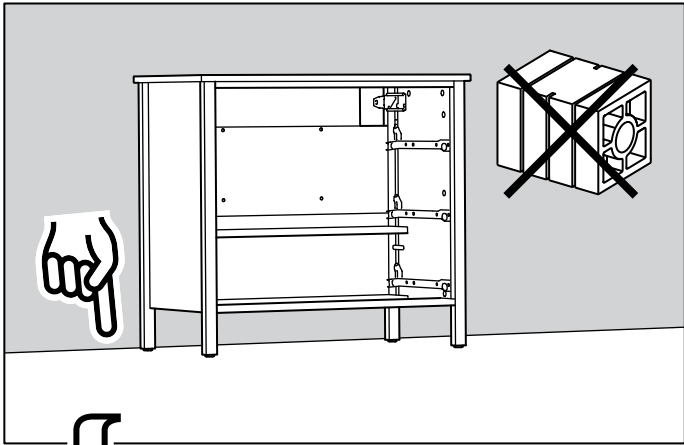
10102070



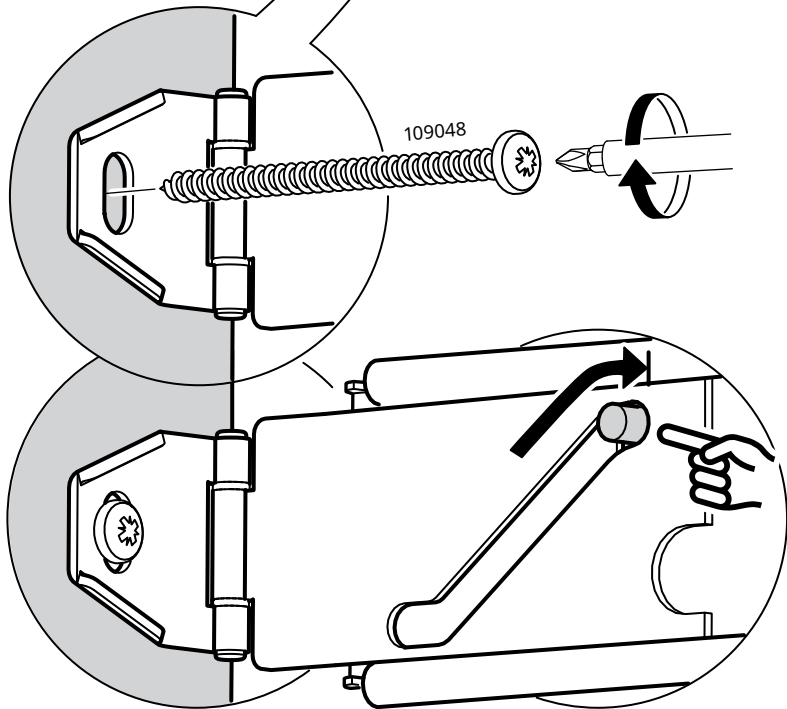
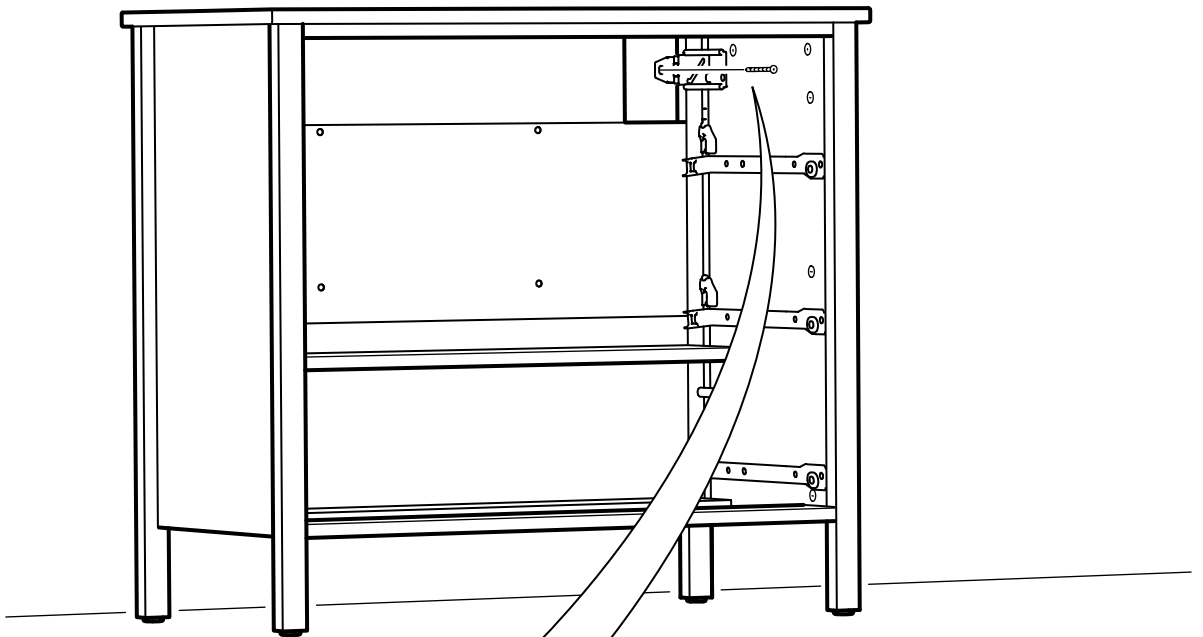


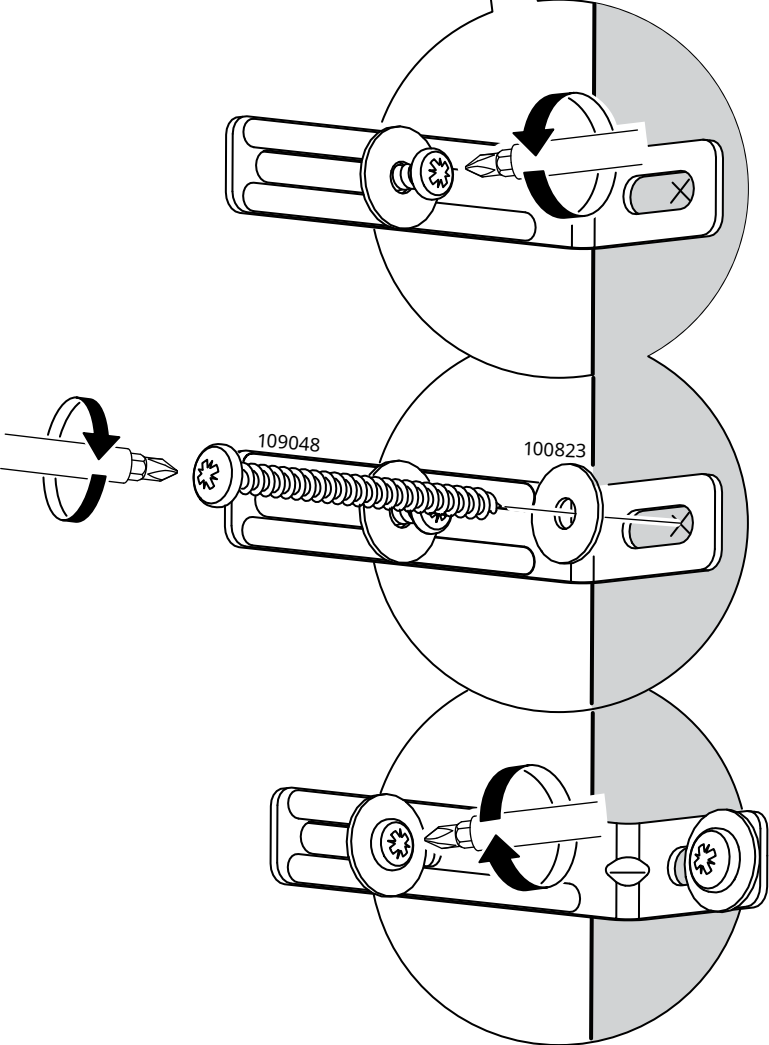
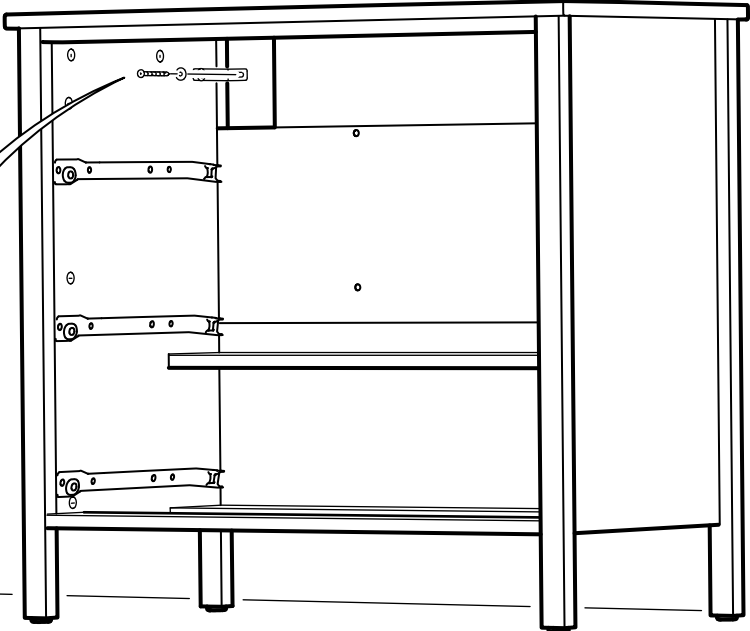
28



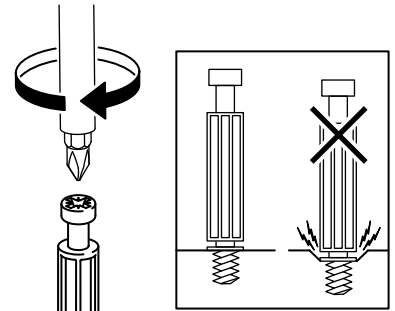
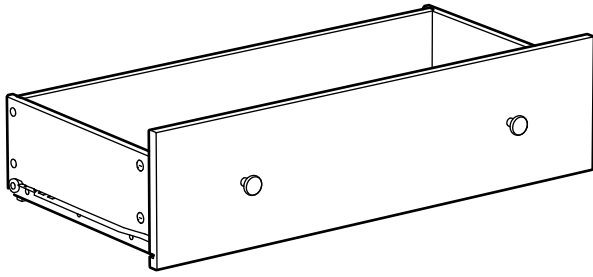


↓
28

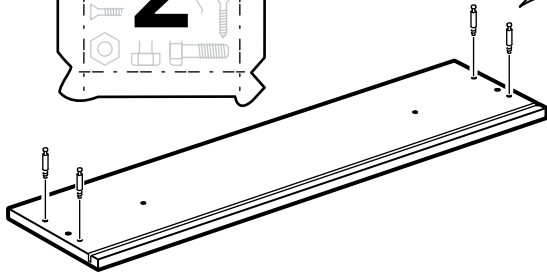




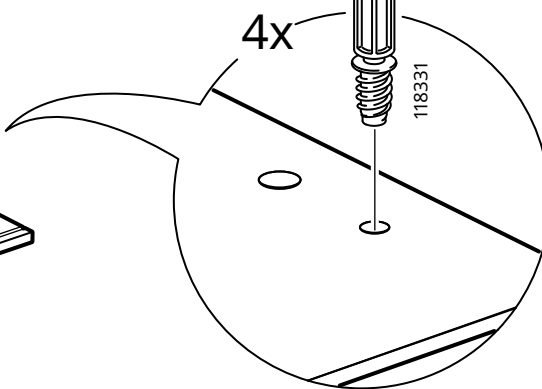
3x



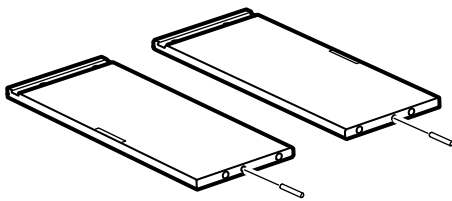
30



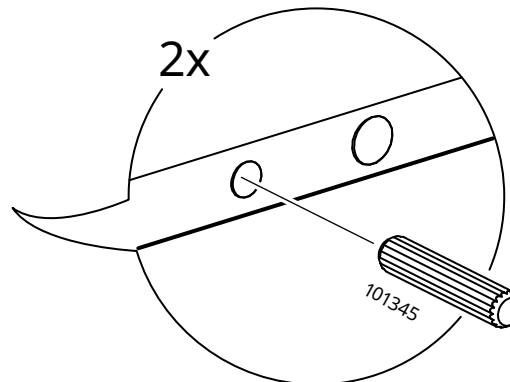
4x



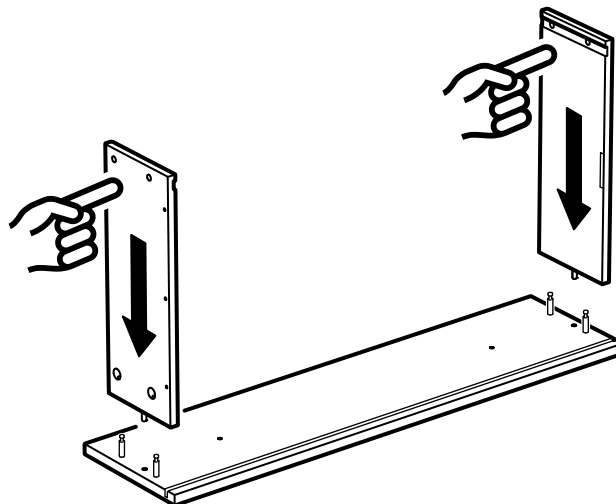
31



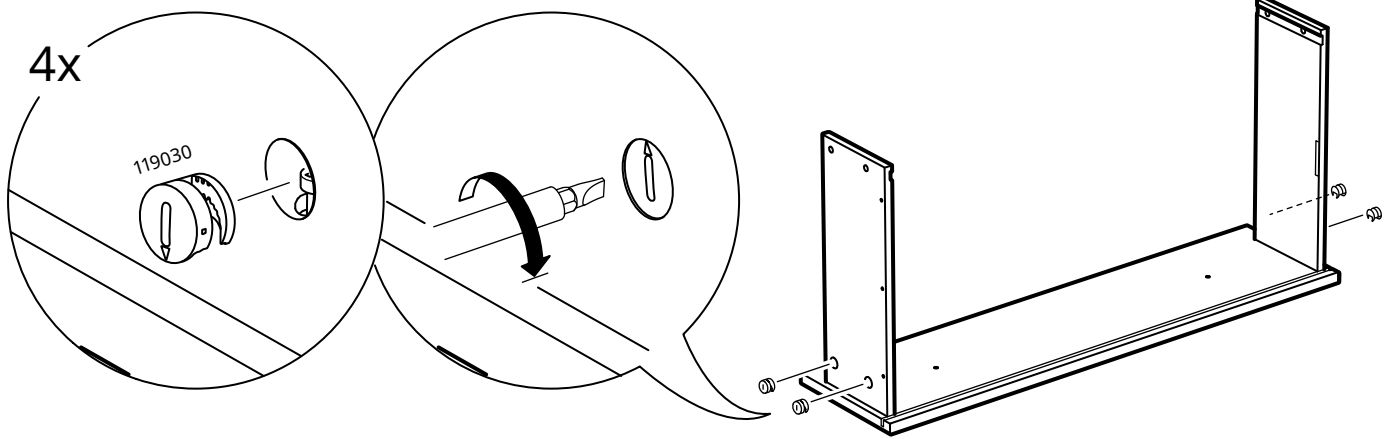
2x



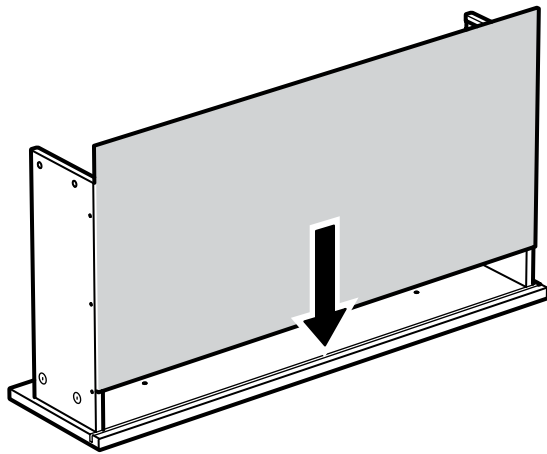
32



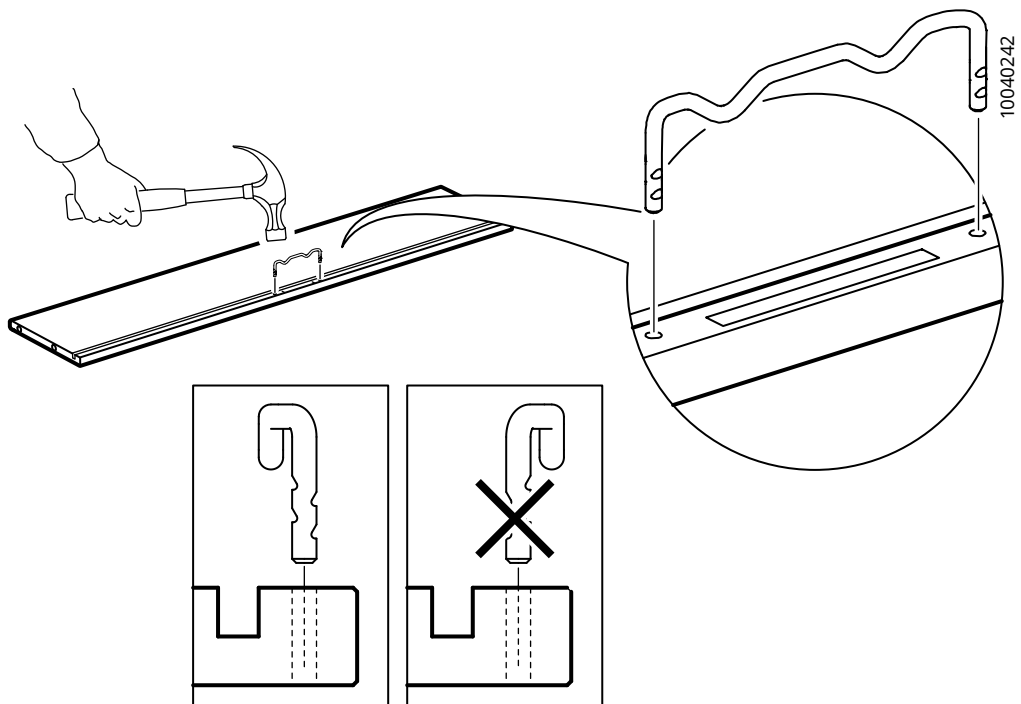
33



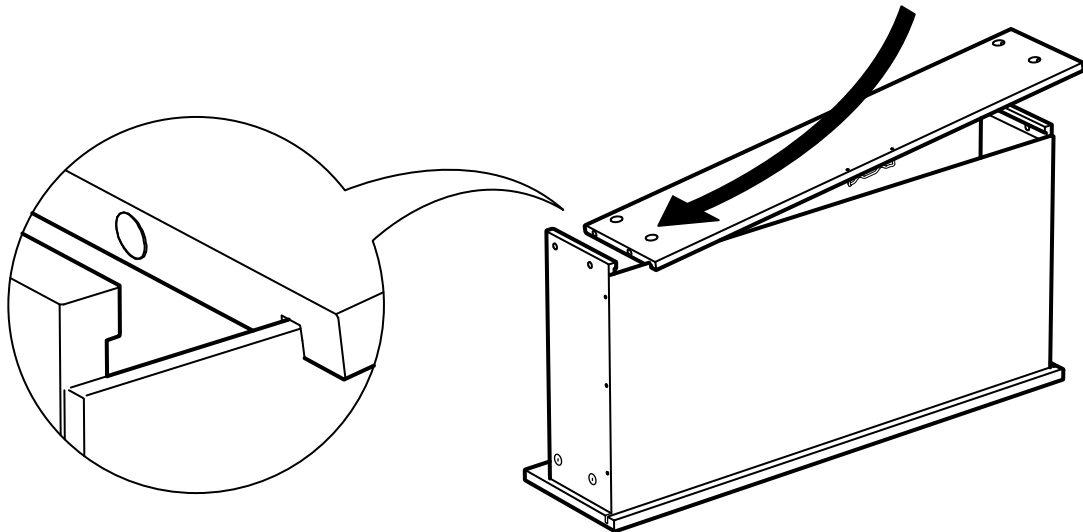
34



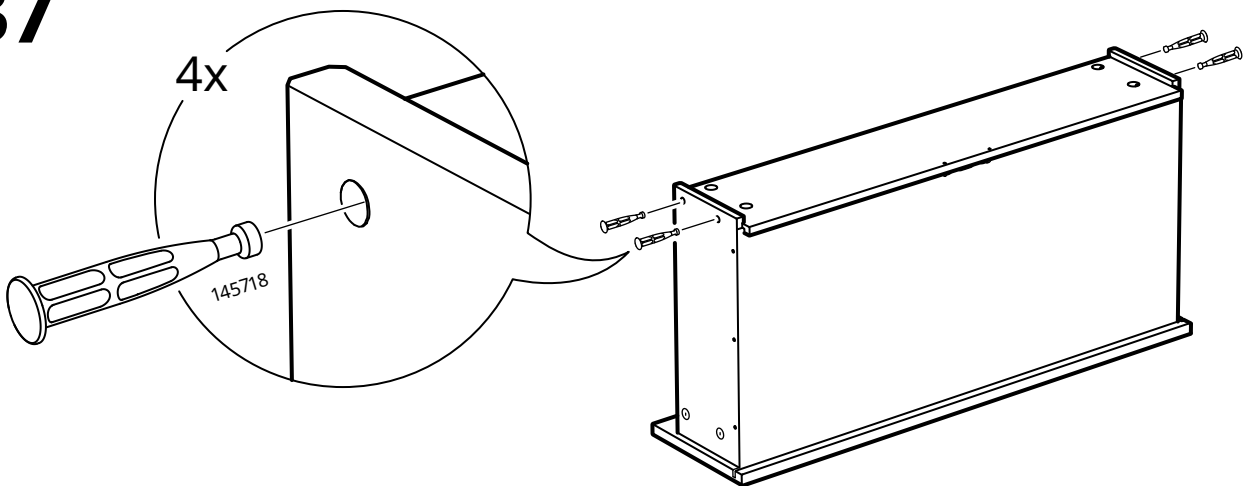
35



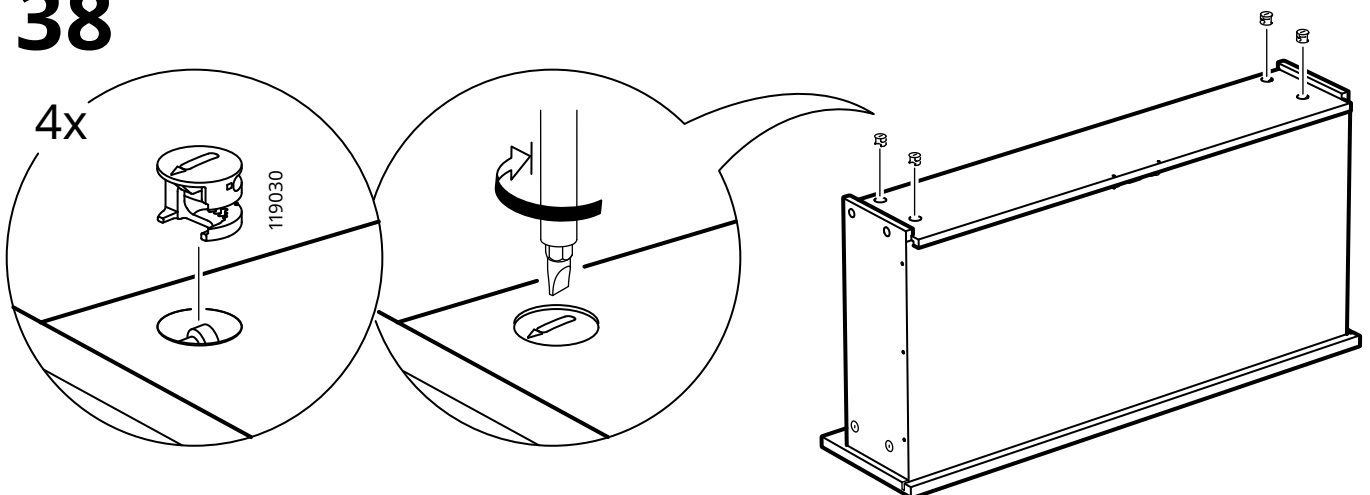
36



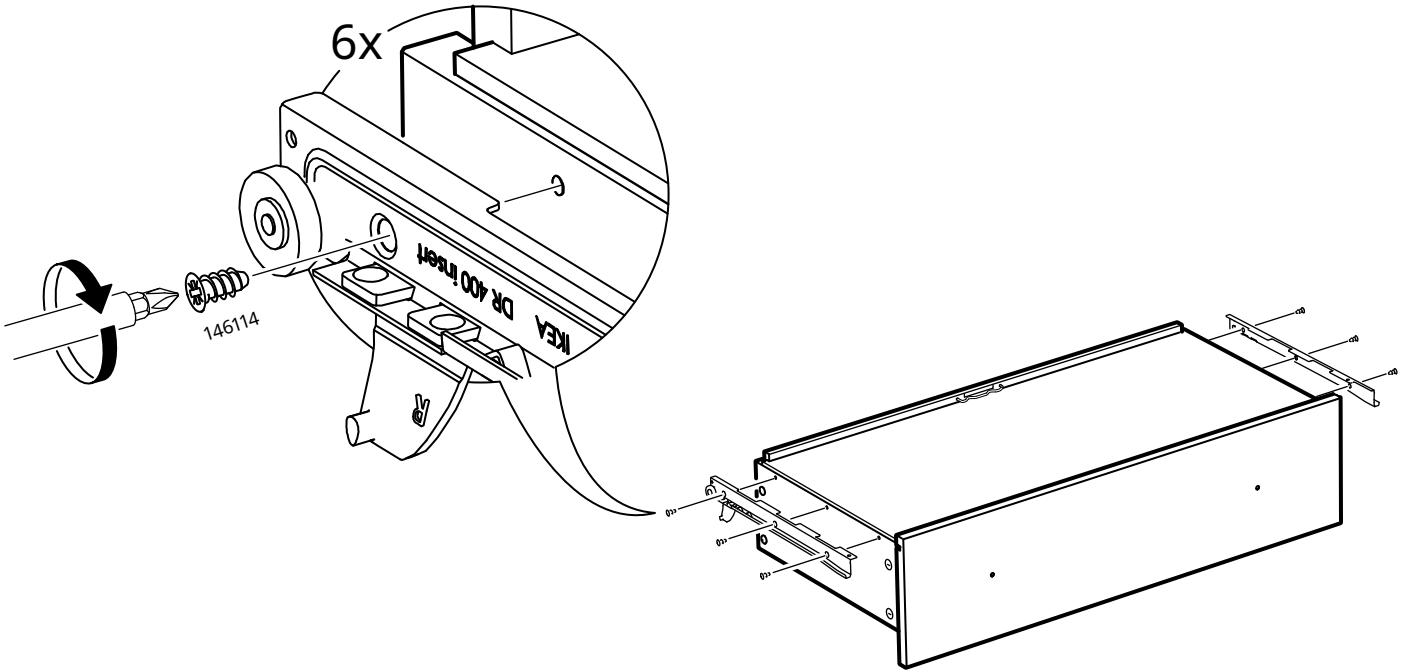
37



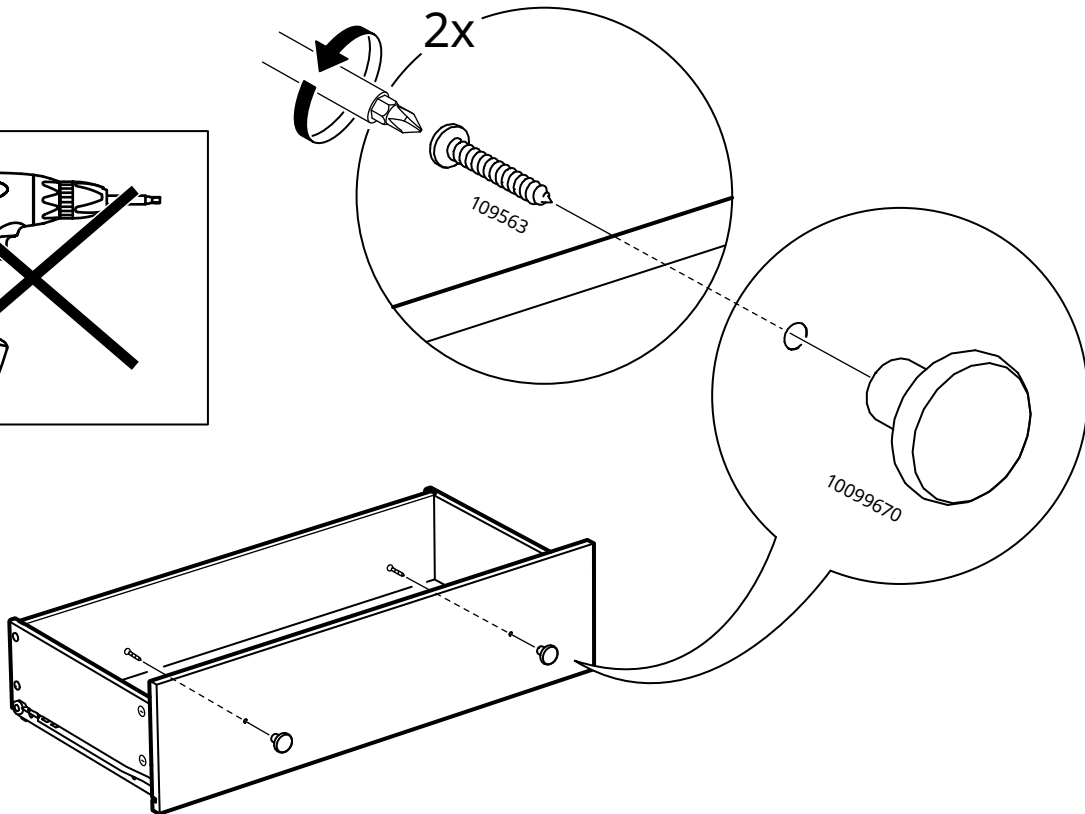
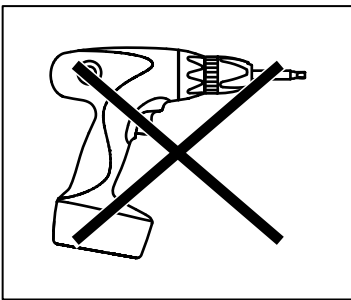
38



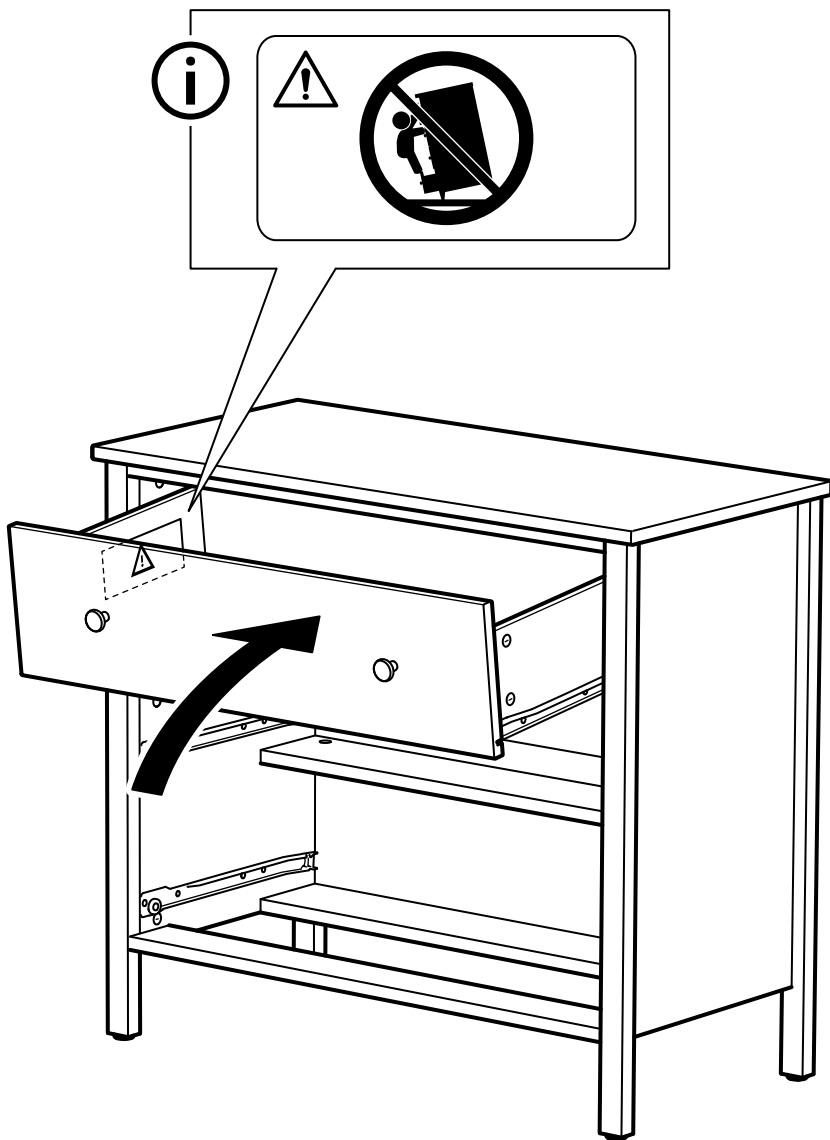
39



40



41



42

