

LAGAN



Design and Quality
IKEA of Sweden

**ENGLISH**

Please refer to the last page of this manual for the full list of IKEA appointed After Sales Service Provider and relative national phone numbers.
The electronic user manual is available at www.ikea.com.

BAHASA MALAYSIA

Sila rujuk halaman terakhir manual ini untuk senarai penuh Penyedia Perkhidmatan Selepas Jualan yang dilantik oleh IKEA dan nombor telefon nasional.
Manual pengguna elektronik boleh didapati di www.ikea.com.

ENGLISH	3
BAHASA MALAYSIA	16

TABLE OF CONTENTS

Safety information.....	3	Specifications	13
Product description.....	7	Installation and connection.....	14
Control panel.....	8	Environmental concerns.....	14
Using the microwave oven	9	Ikea guarantee	15
Trouble shooting.....	13		

Safety information

⚠ **WARNING! PRECAUTIONS TO AVOID POSSIBLE EXPOSURE TO EXCESSIVE MICROWAVE ENERGY**

For your safety

- Do not attempt to operate this oven with the door open since this can result in harmful exposure to microwave energy. It is important not to break or tamper with the safety interlocks.
- Do not place any object between the oven front face and the door or allow soil or cleaner residue to accumulate on sealing surfaces.

- ⚠ **WARNING!** If the door or door seals are damaged, the oven must not be operated until it has been repaired by a qualified technician.

IMPORTANT SAFETY INSTRUCTIONS

WARNING

To reduce the risk of fire, electric shock, injury to persons or exposure to excessive microwave oven energy when using your appliance, follow basic precautions, including the following:

- Read and follow the specific: **"PRECAUTIONS TO AVOID POSSIBLE EXPOSURE TO EXCESSIVE MICROWAVE ENERGY"**.
- This device can be used by children aged 8 and older, and by individuals with reduced physical, sensory, or mental capabilities, or those lacking experience or knowledge, provided they are given proper instructions on the safe use of the device and understand the associated risks.

- Keep the appliance and its cord out of reach of children less than 8 years.
- If the supply cord is damaged, it must be replaced by the manufacturer, its service agent or similarly qualified persons in order to avoid a hazard.

- ⚠ **WARNING:** It is hazardous for anyone other than a competent person to carry out any service or repair operation that involves the removal of a cover which gives protection against exposure to microwave energy.
- When heating food in plastic or paper containers, keep an eye on the oven due to the possibility of ignition.
- Only use utensils that are suitable for use in microwave ovens.
- If smoke is emitted, switch off or unplug the appliance and keep the door closed in order to stifle any flames.
- Microwave heating of beverages can result in delayed eruptive boiling, therefore care must be taken when handling the container.
- The contents of feeding bottles and baby food jars shall be stirred or shaken and the temperature checked before consumption, in order to avoid burns.
- Eggs in their shell and whole hard-boiled eggs should not be heated in microwave ovens since they may explode, even after microwave heating has ended.
- The oven should be cleaned regularly and any food deposits removed.
- Failure to maintain the oven in a clean condition could lead to deterioration of the surface that could adversely affect the

life of the appliance and possibly result in a hazardous situation.

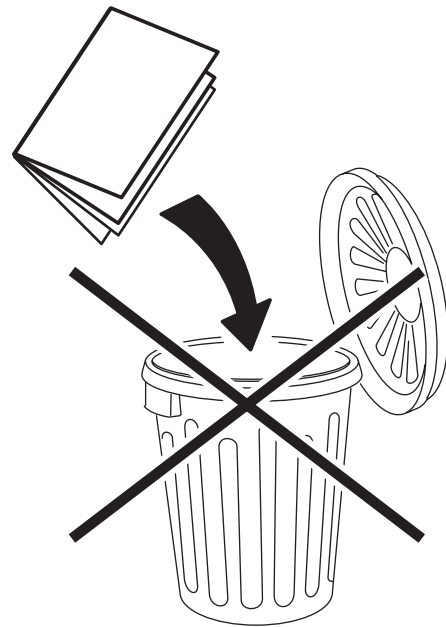
- The appliance must not be installed behind a decorative door in order to avoid overheating.
- Only use the temperature probe recommended for this oven. (For ovens provided with a facility to use a temperature-sensing probe.)
- The microwave oven must be operated with the decorative door open. (For ovens with a decorative door.)
- This appliance is intended to be used in household and similar applications such as:
 - staff kitchen areas in shops, offices and other working environments;
 - by clients in hotels, motels and other residential type environments;
 - farm houses;
 - bed and breakfast type environments.
- The microwave oven is intended for heating food and beverages. Drying of food or clothing and heating of warming pads, slippers, sponges, damp cloth and similar may lead to risk of injury, ignition or fire. Metallic containers for food and beverages must not be used as they may ignite.
- The appliance shall not be cleaned with a steam cleaner.
- The microwave oven is intended to be used built-in.
- The rear surface of appliances shall be placed against a wall.
- The appliances are not intended to be operated by means of an external timer or separate remote-control system.
- The temperature of accessible surfaces may be high when the appliance is operating.

⚠ WARNING: When the appliance is operated in the combination mode, children should only use the oven under adult supervision due to the temperatures generated.

⚠ WARNING: To prevent burns, please do not touch the microwave while it is running.

SAVE THESE INSTRUCTIONS

READ CAREFULLY AND KEEP FOR FUTURE REFERENCE.



TO REDUCE THE RISK OF INJURY TO PERSONS GROUNDING INSTALLATION

⚠ DANGER

Electric Shock Hazard

Touching some of the internal components can cause serious personal injury or death. Do not disassemble this appliance.

⚠ WARNING!

Electric Shock Hazard

Improper use of the grounding can result in electric shock. Do not plug into an outlet until appliance is properly installed and grounded.

This appliance must be grounded. In the event of an electrical short circuit, grounding reduces the risk of electric shock by providing an escape wire for the electric current. This appliance is equipped with a cord having a grounding wire with a grounding plug. The plug must be plugged into an outlet that is properly installed and grounded.

Consult a qualified electrician or serviceman if the grounding instructions are not completely understood or if doubt exists as to whether the appliance is properly grounded. If it is necessary to use an extension cord, use only a 3-wire extension cord.

- A short power-supply cord is provided to reduce the risks resulting from becoming entangled in or tripping over a longer cord.
- If a long cord set or extension cord is used:
 - The marked electrical rating of the cord set or extension cord should be at least as great as the electrical rating of the appliance.
 - The extension cord must be a grounding-type 3-wire cord.
 - The long cord should be arranged so that it will not drape over the counter top or tabletop where it can be pulled on by children or tripped over unintentionally.

CLEANING

Be sure to unplug the appliance from the power supply.

- Clean the cavity of the oven after using with a slightly damp cloth.
- Clean the accessories in the usual way in soapy water.
- The door frame and seal and neighbouring parts must be cleaned carefully with a damp cloth when they are dirty.
- Do not use harsh abrasive cleaners or sharp metal scrapers to clean the oven door glass since they can scratch the surface, which may result in shattering of the glass.
- Cleaning Tip ★ For easier cleaning of the cavity walls that the food cooked can touch: Place half a lemon in a bowl, add 300ml (1/2 pint) water and heat on 100% microwave power for 10 minutes. Wipe the oven clean using a soft, dry cloth.

⚠ CAUTION

Personal Injury Hazard

It is hazardous for anyone other than a competent person to carry out any service or repair operation that involves the removal of a cover which gives protection against exposure to microwave energy.

See the instructions on **“MATERIALS YOU CAN USE IN MICROWAVE OVEN OR TO BE AVOIDED IN MICROWAVE OVEN.”**

There may be certain non-metallic utensils that are not safe to use for microwaving. If in doubt, you can test the utensil in question following the procedure below.

Utensil Test:

- Fill a microwave-safe container with 1 cup of cold water (250ml) along with the utensil in question.
- Cook on maximum power for 1 minute.
- Carefully feel the utensil. If the empty utensil is warm, do not use it for microwave cooking.
- Do not exceed 1 minute cooking time.

Materials you can use in microwave oven

Utensils	Remarks
Browning dish	Follow manufacturer's instructions. The bottom of browning dish must be at least 3/16 inch (5 mm) above the turntable. Incorrect usage may cause the turntable to break.
Dinnerware	Microwave-safe only. Follow manufacturer's instructions. Do not use cracked or chipped dishes.
Glass jars	Always remove lid. Use only to heat food until just warm. Most glass jars are not heat resistant and may break.
Glassware	Heat-resistant oven glassware only. Make sure there is no metallic trim. Do not use cracked or chipped dishes.
Oven cooking bags	Follow manufacturer's instructions. Do not close with metal tie. Make slits to allow steam to escape.
Paper plates and cups	Use for short-term cooking/warming only. Do not leave oven unattended while cooking.
Paper towels	Use to cover food for reheating and absorbing fat. Use with supervision for a short-term cooking only.
Parchment paper	Use as a cover to prevent splattering or a wrap for steaming.
Plastic	Microwave-safe only. Follow the manufacturer's instructions. Should be labeled "Microwave Safe". Some plastic containers soften, as the food inside gets hot. "Boiling bags" and tightly closed plastic bags should be slit, pierced or vented as directed by package.
Plastic wrap	Microwave-safe only. Use to cover food during cooking to retain moisture. Do not allow plastic wrap to touch food.
Thermometers	Thermometers Microwave-safe only (meat and candy thermometers).
Wax paper	Use as a cover to prevent splattering and retain moisture.

Materials to be avoided in microwave oven

Utensils	Remarks
Aluminum tray	May cause arcing. Transfer food into microwave-safe dish.
Food carton with metal handle	May cause arcing. Transfer food into microwave-safe dish.
Metal or metaltrimmed utensils	Metal shields the food from microwave energy. Metal trim may cause arcing.
Metal twist ties	May cause arcing and could cause a fire in the oven.
Paper bags	May cause a fire in the oven.
Plastic foam	Plastic foam may melt or contaminate the liquid inside when exposed
Wood	Wood will dry out when used in the microwave oven and may split or crack.

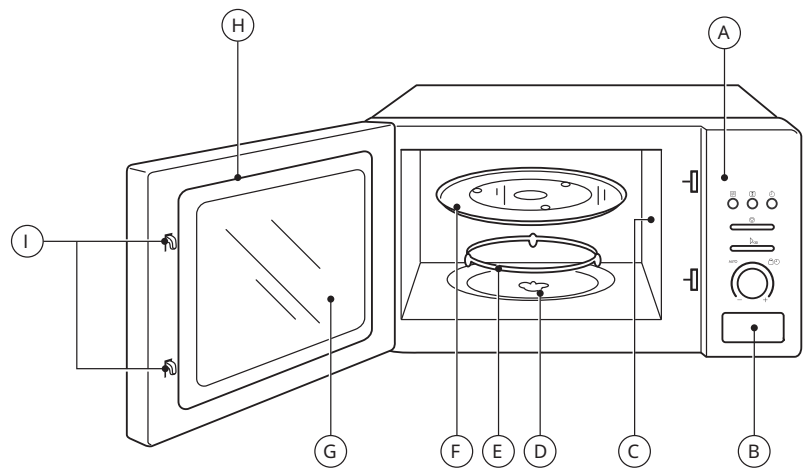
Product description

Setting up your oven

Name of oven parts and accessories

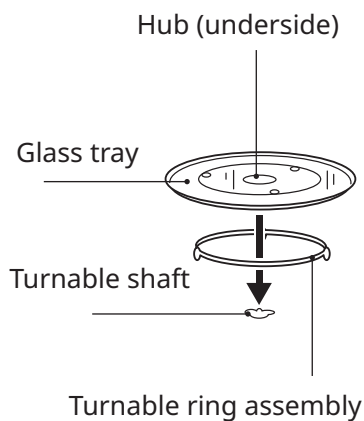
Remove the oven and all materials from the carton and oven cavity. Your oven comes with the following accessories:

Glass tray	1x
Turntable ring assembly	1x
Instruction manual	1x
Drilling template	1x
Assembly instruction	1x



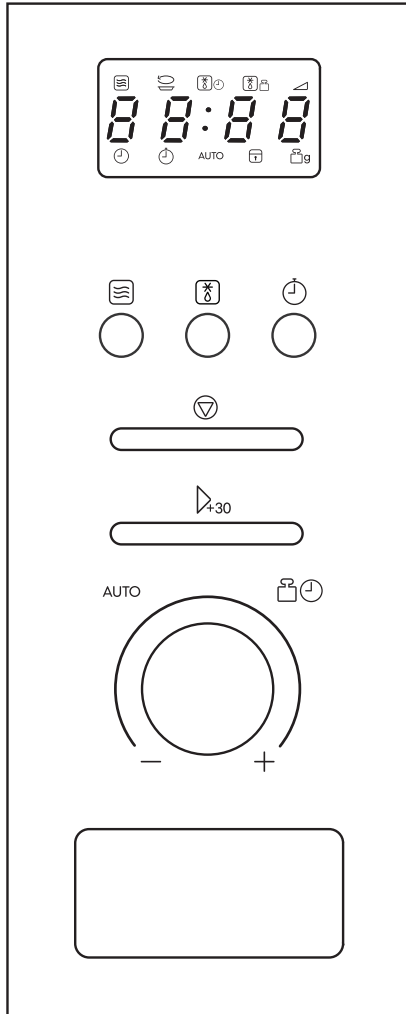
- A) Control panel
- B) Door opening button
- C) Wave guide cover (Do not remove)
- D) Turntable shaft
- E) Turntable ring assembly
- F) Glass tray
- G) Observation window
- H) Door assembly
- I) Safety interlock system

Turntable installation









- a) Never place the glass tray upside down. The glass tray should never be restricted.
- b) Both glass tray and turntable ring assembly must always be used during cooking.
- c) All food and containers of food are always placed on the glass tray for cooking.
- d) If glass tray or turntable ring assembly cracks or breaks, contact your nearest authorized service center.
- e) Never put frozen food directly on a warm turntable.

Control panel



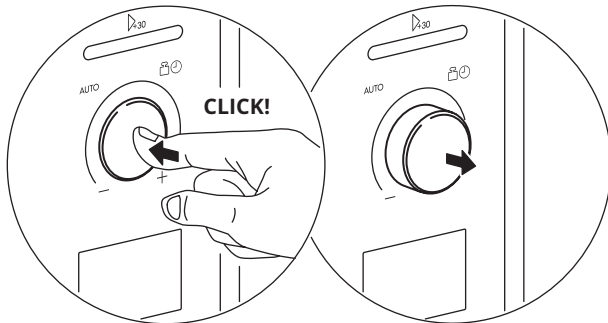
INSTRUCTION

-  Microwave
-  Kitchen timer/Clock
-  Start/+30 Sec/Confirm
-  Time
-  Weight/Time Defrost
-  Stop/Clear
- AUTO Auto Menu

Using the microwave oven

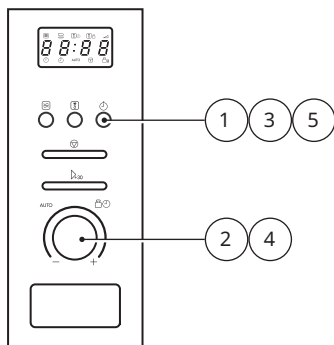
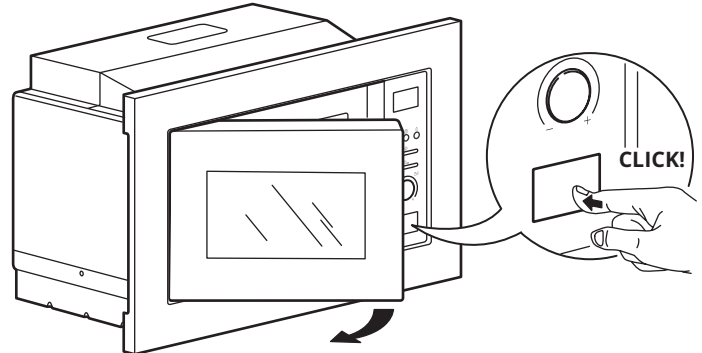
Using the knob

To use the selection knob, push it inwards and it will pop out.



Open the door

Push the button to open the door.



Clock setting

When the microwave oven is electrified, the screen will display "0:00", buzzer will ring once.

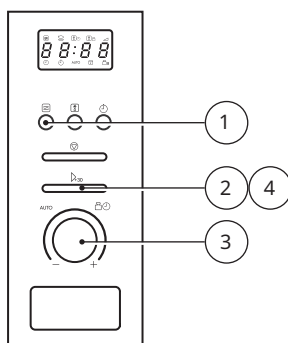
1. Press **Kitchen timer/Clock** twice to select clock function, the hour figures will flash.
2. Turn knob to adjust the hour figures, the input time should be within 0--23.
3. Press **Kitchen timer/Clock**, the minute figures will flash, the hour figures will light.
4. Turn knob to adjust the minute figures, the input time should be within 0--59.
5. Press **Kitchen timer/Clock** to finish clock setting, : will flash.

Note: During the process of clock setting, if you do not press **Kitchen timer/Clock** to confirm in 1 minute, the oven will go back to previous status automatically.

Lock-out function for children

Lock: In waiting state, press **Stop/Clear** for 3 seconds, there will be a long "beep" denoting entering the children-lock state and screen will display [] or current time.

Lock quitting: In locked state, press **Stop/Clear** for 3 seconds, there will be a long "beep" denoting that the lock is released.



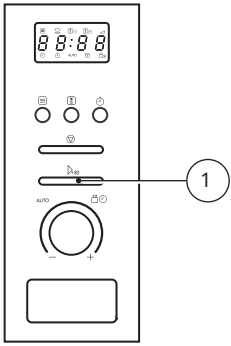
Microwave cooking

1. Press **Microwave** once, the screen will display 80 flickering. Press **Microwave** repeatedly or turn the knob to choose the power you want.
2. Then press **Start/+30 Sec** to confirm selected power level.
3. Turn knob to set cooking time from 0:05 to 95:00.
4. Press **Start/+30 Sec** again to start cooking.

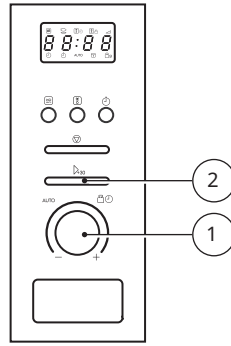
Note: The time steps for the time when turning the knob are as follow:

0---1 min	: 5 seconds
1--- 5min	: 10 seconds
5---10 min	: 30 seconds
10---30 min	: 1 minute
30---95 min	: 5 minutes

Quick start alternative 1



Quick start alternative 2



Quick start alternative 1

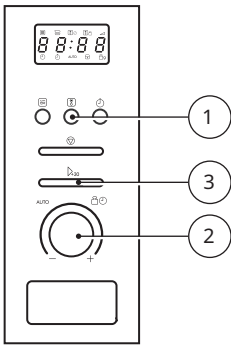
1. In stand by mode, press Δ_{+30} **Start/+30 Sec** to start cooking with full power for 30 seconds, each added press will increase 30 seconds cooking time up to 95 minutes.

Quick start alternative 2

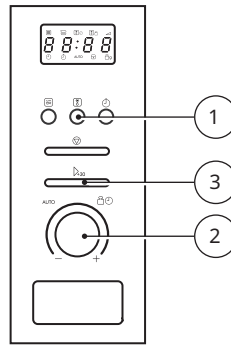
1. In stand by mode, turn the knob \odot to the right to set the time.
2. Press Δ_{+30} **Start/+30 Sec** to start cooking at full microwave power.

Note: In microwave or time defrost state, each press of Δ_{+30} **Start/+30 Sec** can increase 30 seconds of cooking time.

Defrost by weight



Defrost by time



Defrost by weight

1. Press \square **Weight/Time Defrost** once, and the oven will display **dEF1**.
2. Turn the knob \odot to select the weight of food from 100 to 2000g.
3. Press Δ_{+30} **Start/+30 Sec** to start defrosting.

Defrost by time

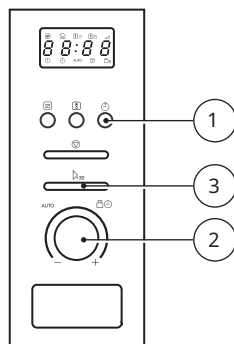
1. Press \square **Weight/Time Defrost** twice, and the oven will display **dEF2**.
2. Turn the knob \odot to select the defrost time. The MAX. time is 95 minutes.
3. Press Δ_{+30} **Start/+30 Sec** to start defrosting.

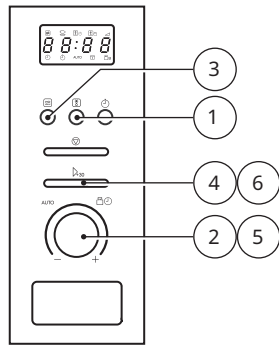
The product will prompt you to turn the food after half of the time set for defrosting. Open the door and turn the food, shut the door and press Δ_{+30} **Start/+30 Sec** to continue the defrosting.

Kitchen timer

1. Press \odot **Kitchen timer/Clock** once, screen will display **00:00**, clock indicator will light.
2. Turn the knob \odot to enter the correct time. (Maximum time to set is 95 minutes.)
3. Press Δ_{+30} **Start/+30 Sec** to confirm setting, clock indicator will be flickering.

When the kitchen time is reached, clock indicator will go out and the buzzer will ring 5 times.



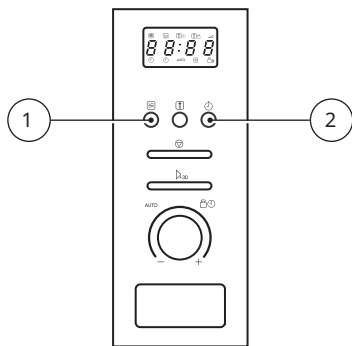


The product can be set to perform a multi stage cooking, defrosting followed by reheating:

Multi-section cooking

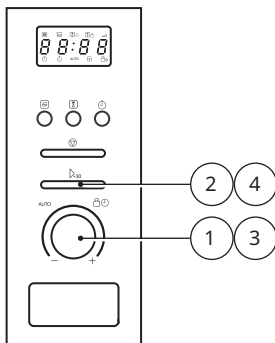
1. Press **Weight/Time Defrost** twice, and the oven will display **dEF2**.
2. Turn the knob to select the defrost time.
3. Press **Microwave** once, the screen will display **80**, repeatedly push the button or turn the knob to set the requested microwave power.
4. Press **Start/+30 Sec** to confirm power setting.
5. Turn the knob to select cooking time.
6. Press **Start/+30 Sec** to start cooking.

The product will prompt you to turn the food after half of the time set for defrosting. Open the door and turn the food, shut the door and press **Start/+30 Sec** to continue the defrosting. The buzzer will sound once again entering the second cooking. When cooking finishes, buzzer sound five times.



Inquiring function

1. In state of microwave cooking, press **Microwave**, the current power will be displayed for 3 seconds.
2. In cooking state, press **Kitchen timer/Clock** to inquire the time of the day, the time will be displayed for 3 seconds.



Auto menu

1. Turn the knob "0" left to choose the menu, and **A-1 to A-8** will display.
2. Press **Start/+30 Sec** to confirm selected food.
3. Turn the knob "0" to choose the default weight as the menu chart.
4. Press **Start/+30 Sec** to start cooking.

MENU	WEIGHT	DISPLAY
A-1 Pizza	200g	200
	400g	400
A-2 Meat	250g	250
	350g	350
	450g	450
A-3 Vegetable	200g	200
	300g	300
	400g	400
A-4 Pasta	50g (with 450g cold water)	50
	100g (with 800g cold water)	100
A-5 Potato	200g	200
	400g	400
	600g	600
A-6 Fish	250g	250
	350g	350
	450g	450
A-7 Beverage	1 cup (120ml)	1
	2 cups (240ml)	2
	3 cups (360ml)	3
A-8 Popcorn	50g	50
	100g	100

Note: The Foodclasses can also be found on the label inside the door.

Trouble shooting

Normal	
Microwave oven interfering TV reception	Radio and TV reception may be interfered when microwave oven operating. It is similar to the interference of small electrical appliances, like mixer, vacuum cleaner, electric fan. It is normal.
Dim oven light	In low power microwave cooking, oven light may become dim. It is normal.
Steam accumulating on door, hot air out of vents.	In cooking, steam may come out of food. Most will get out from vents, but some may accumulate on cool place like oven door. It is normal.
Oven started accidentally with no food in.	<i>It is forbidden to run the unit without any food inside. It is very dangerous.</i>

Trouble	Possible cause	Remedy
Oven can not be started.	(1) Power cord not plugged tightly.	Unplug the cord. Wait 10 seconds and plug it again.
	(2) Fuse blowing or circuit breaker works.	Replace fuse or reset circuit breaker (repaired by professional personnel of our company)
	(3) Trouble with outlet.	Test outlet with other electrical appliances.
Oven does not heat	(4) Door not closed well.	Close door well.

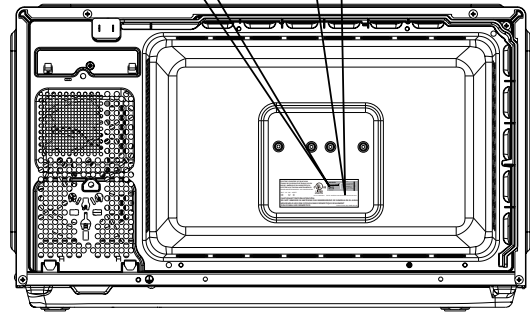
Specifications

Model:	LAGAN 106.094.98
Rated Voltage:	230V~50 Hz
Rated Input Power (Microwave):	1250 W
Rated Output Power (Microwave):	800 W
Oven Capacity:	20 L
Turnable Diameter:	Ø 245 mm
External Dimensions:	595x344x394 mm
Net Weight:	15 kg
Standby mode power:	0.8W
The maximum time needed for the microwave oven to automatically reach the applicable low power mode or condition:	20 minutes

Serial Number (start with SN, 22-digit code)

Serial number:xxxxxxxxxxxxxxxxxxxxxx

Article Number (8-digit code)



Picture for reference only

Installation and connection

1. This appliance is only intended for domestic use.
2. This oven is intended for built-in use only. It is not intended for counter-top use or for use inside a cupboard.
3. Please observe the special installation instructions.
4. The appliance can be installed in a 60cm wide wall-mounted cupboard.
5. The appliance is fitted with a plug and must only be connected to a properly installed earthed socket.
6. The mains voltage must correspond to the voltage specified on the rating plate.
7. The socket must be installed and connecting cable must only be replaced by a qualified electrician. If the plug is no longer accessible following

installation, an all-pole disconnecting device must be present on the installation side with a contact gap of at least 3mm.

8. Adapters, multi-way strips and extension leads must not be used. Overloading can result in a risk of fire.
9. The product should not be mounted below 85cm.



The accessible surface maybe hot during operation.

Environmental concerns



According to Waste of Electrical and Electronic Equipment (WEEE) directive, WEEE should be separately collected and treated. If at any time in future you need to dispose of this product please do not dispose of this product with household waste. Please send this product to WEEE collecting points where available.

Ikea guarantee

How long is the IKEA guarantee valid?

This guarantee is valid for five (5) years from the original date of purchase of your appliance at IKEA. The original sales receipt is required as proof of purchase. If service work is carried out under guarantee, it will not extend the guarantee period for the appliance.

Which LAGAN appliances are not covered by the IKEA 5-year guarantee?

LAGAN appliances purchased from IKEA before 1 May 2026 are covered by a 2-year guarantee, starting from the original date of purchase.

Who will execute the service?

IKEA service provider will provide the service through its own service operations or authorized service partner network.

What does this guarantee cover?

The guarantee covers faults of the appliance, which have been caused by faulty construction or material faults from the date of purchase from IKEA. This guarantee applies to domestic use only. The exceptions are specified under the headline "What is not covered under this guarantee?" Within the guarantee period, the costs to remedy the fault e.g. repairs, parts, labour and travel will be covered, provided that the appliance is accessible for repair without special expenditure. On these conditions the respective local regulations are applicable. Replaced parts become the property of IKEA.

What will IKEA do to correct the problem?

IKEA appointed Service Provider will examine the product and decide, at its sole discretion, if it is covered under this guarantee. If considered covered, IKEA Service Provider or its authorized service partner through its own service operations, will then, at its sole discretion, either repair the defective product or replace it with the same or a comparable product.

What is not covered under this guarantee?

- Normal wear and tear.
- Deliberate or negligent damage, damage caused by failure to observe operating instructions, incorrect installation or by connection to the wrong voltage, damage caused by chemical or electro-chemical reaction, rust, corrosion or water damage including but not limited to damage caused by excessive lime in the water supply, damage caused by abnormal environmental conditions.
- Consumable parts including batteries and lamps.
- Non-functional and decorative parts which do not affect normal use of the appliance, including any scratches and possible color differences.
- Accidental damage caused by foreign objects or substances and cleaning or unblocking of filters, drainage systems or soap drawers.
- Damage to the following parts: ceramic glass, accessories, crockery and cutlery baskets, feed and drainage pipes, seals, lamps and lamp covers, screens, knobs, casings and parts of casings. Unless such damages can be proved to have been caused by production faults.
- Cases where no fault could be found during a technician's visit.
- Repairs not carried out by our appointed service providers and/or an authorized service contractual partner or where non-original parts have been used.
- Repairs caused by installation which is faulty or not according to specification.
- The use of the appliance in a non-domestic environment i.e. professional use.
- Transportation damages. If a customer transports the product to his home or another address, IKEA is not liable for any damage that may occur during transport. However, if IKEA delivers the product to the customer's delivery address, then damage to the product that occurs during this delivery will be covered by IKEA.
- Cost for carrying out the initial installation of the IKEA appliance.
- However, if an IKEA appointed Service Provider or its authorized service partner repairs or replaces the appliance under the terms of this guarantee, the appointed Service Provider or its authorized service partner will reinstall the repaired appliance or install the replacement, if necessary.
- All plumbing and electrical installation, are not the responsibility of IKEA, and customer must complete these work before the execution work.

How country law applies

The IKEA guarantee gives you specific legal rights, which cover or exceed all the local legal demands. However these conditions do not limit in any way consumer rights described in the local legislation.

Area of validity

This warranty is valid only in the country where the product has been purchased; the services will be provided in the framework of the guarantee conditions. An obligation to carry out services in the framework of the guarantee exists only if the appliance complies and is installed in accordance with:

- the technical specifications of the country in which the guarantee claim is made;
- the Assembly Instructions and User Manual Safety Information;

The dedicated AFTER SALES for IKEA appliances

Please don't hesitate to contact IKEA appointed Authorized Service Centre to:

- make a service request under this guarantee;
- ask for clarifications on installation of the IKEA appliance in the dedicated IKEA kitchen furniture;
- ask for clarification on functions of IKEA appliances.

To ensure that we provide you with the best assistance, please read carefully the Assembly Instructions and/or the User Manual before contacting us.

How to reach us if you need our service



The IKEA after sales customer service center will assist you on the phone with basic trouble-shooting for your appliances at the time of service call request. Please refer to

www.IKEA.com

and select your local store for local store phone numbers and opening times.

Before calling us, assure that You have to hand the IKEA article number (8 digit code) and the Serial Number (8 digit code that can be found on the rating plate) for the appliance of which you need our assistance.

i SAVE THE SALES RECEIPT! It is

It is your proof of purchase and required for the guarantee to apply. Note that the receipt reports also the IKEA article name and number (8 digit code) for each of the appliances you have purchased.

Do you need extra help?

For any additional questions not related to After Sales of your appliances please contact your nearest IKEA store call centre. We recommend you read the appliance documentation carefully before contacting us.

KANDUNGAN

Maklumat keselamatan.....	16	Spesifikasi.....	27
Keterangan Produk	21	Pemasangan dan sambungan.....	28
Panel kawalan.....	22	Kebimbangan Alam Sekitar.....	28
Menggunakan ketuhar gelombang mikro	23	Jaminan Ikea	29
Menyelesaikan masalah.....	27		

Maklumat keselamatan

⚠ **AMARAN! LANGKAH-LANGKAH UNTUK MENGELAK KEMUNGKINAN PENDEDAHAN TERHADAP TENAGA GELOMBANG MIKRO YANG BERLEBIHAN**

Untuk keselamatan anda

- Jangan cuba mengendalikan ketuhar ini dengan pintu dibuka kerana ini boleh menyebabkan pendedahan berbahaya terhadap tenaga gelombang mikro. Adalah penting untuk tidak memecah atau merosakkan saling kunci keselamatannya.
- Jangan meletakkan apa-apa objek di antara muka depan ketuhar dan pintu atau membenarkan tanah atau sisa pembersih berkumpul pada permukaan yang kedap.

⚠ **AMARAN!** Jika pintu atau kedap pintu rosak, jangan kendalikan ketuhar sehingga ia dibaiki oleh juruteknik yang berkelayakan.

ARAHAN KESELAMATAN YANG PENTING AMARAN

Untuk mengurangkan risiko kebakaran, kejutan elektrik, kecederaan kepada seseorang atau pendedahan terhadap tenaga ketuhar gelombang mikro yang berlebihan apabila menggunakan perkakas anda, sila ikuti langkah-langkah asas, termasuk yang berikut:

- Baca dan ikuti spesifiknya: **"LANGKAH-LANGKAH UNTUK MENGELAK KEMUNGKINAN PENDEDAHAN TERHADAP TENAGA GELOMBANG MIKRO YANG BERLEBIHAN"**.

- Peranti ini boleh digunakan oleh kanak-kanak berumur 8 tahun dan ke atas, serta oleh individu yang kurang keupayaan fizikal, deria atau mental, atau mereka yang kurang pengalaman atau pengetahuan, dengan syarat mereka diberikan arahan yang betul tentang penggunaan peranti yang selamat dan memahami risiko yang berkaitan.
- Jauhkan alat ini dan kordnya daripada kanak-kanak yang berumur di bawah 8 tahun.
- Sekiranya kord bekalan rosak, ia mesti diganti oleh pengilang, ejen perkhidmatannya atau orang yang berkelayakan untuk mengelakkan bahaya.

- ⚠ **AMARAN:** Jangan biarkan orang selain mereka yang kompeten untuk menjalankan sebarang perkhidmatan atau operasi pembaikan yang melibatkan pengalihan penutup yang memberi perlindungan terhadap pendedahan kepada tenaga gelombang mikro.
- Apabila memanaskan makanan di dalam bekas plastik atau kertas, sila perhatikan ketuhar kerana berkemungkinan berlakunya penyalaan.
 - Hanya gunakan alatan dapur yang sesuai bagi kegunaan di dalam ketuhar gelombang mikro.
 - Sekiranya keluar asap, matikan kuasa atau cabut palam perkakas dan pastikan pintu ditutup untuk mematikan sebarang nyalaan api.
 - Pemanasan minuman oleh ketuhar gelombang mikro boleh mengakibatkan letusan pendidihan terlengah, oleh

itu, perhatian mesti diambil semasa mengendalikan bekas.

- Kandungan botol menyusu dan balang makanan bayi perlu dikacau atau digoncangkan dan suhu diperiksa sebelum digunakan, untuk mengelakkan lecur.
- Telur dalam cangkerang dan telur rebus tidak boleh dipanaskan dalam ketuhar gelombang mikro kerana ia mungkin meletup, walaupun selepas pemanasan gelombang mikro telah berakhir.
- Ketuhar hendaklah dibersihkan secara kerap dan sebarang sisa makanan dibuang.
- Kegagalan untuk mengekalkan ketuhar dalam keadaan bersih boleh menyebabkan kemerosotan permukaan yang boleh menjejaskan jangka hayat perkakas dan mungkin mengakibatkan keadaan yang berbahaya.
- Perkakas tidak boleh dipasang di belakang pintu hiasan untuk mengelakkan terlampau panas.
- Hanya gunakan prob suhu yang disyorkan untuk ketuhar ini. (Untuk ketuhar yang dilengkapi dengan kemudahan untuk menggunakan prob pengesan suhu.)
- Ketuhar gelombang mikro mesti dikendalikan dengan membuka pintu hiasan. (Untuk ketuhar dengan pintu hiasan.)
- Alat ini bertujuan untuk digunakan di dalam rumah atau penggunaan yang serupa dengannya, seperti:
 - kawasan dapur kakitangan di kedai, pejabat dan persekitaran kerja yang lain;
 - oleh pelanggan di hotel, motel dan persekitaran jenis kediaman yang lain;
 - rumah ladang;
 - persekitaran jenis penginapan dan sarapan.
- Ketuhar gelombang mikro digunakan untuk pemanasan makanan dan minuman. Pengeringan makanan atau pakaian dan pemanasan pad hangat,

selipar, span, kain lembap dan yang sama dengannya mungkin mengakibatkan risiko kecederaan, penyalaan atau kebakaran. Bekas logam untuk makanan dan minuman tidak boleh digunakan kerana ia mungkin terbakar.

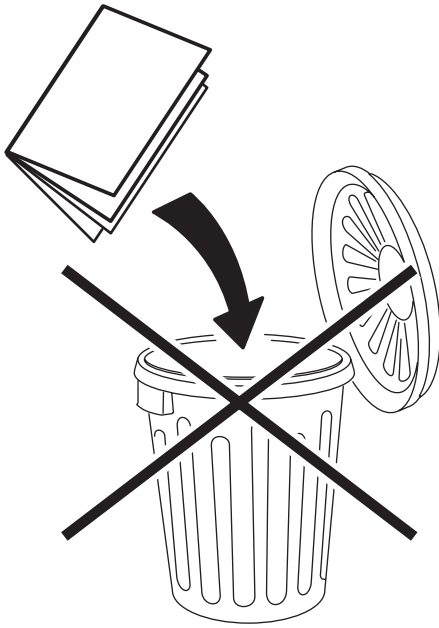
- Jangan bersihkan perkakas dengan pembersih wap.
- Ketuhar gelombang mikro bertujuan untuk digunakan secara terpasang dalam.
- Permukaan belakang perkakas hendaklah diletakkan menghala dinding.
- Perkakas ini bukan bertujuan untuk dikendalikan menggunakan pemasa luaran atau sistem kawalan jauh yang berasingan.
- Suhu permukaan yang boleh disentuh mungkin tinggi apabila alat ini sedang beroperasi.

⚠ **AMARAN:** Apabila perkakas dikendalikan dalam mod kombinasi, kanak-kanak hanya boleh menggunakan ketuhar di bawah penyeliaan orang dewasa kerana suhu yang dihasilkan.

⚠ **AMARAN:** Untuk mengelakkan lecur, jangan sentuh ketuhar gelombang mikro ketika ia sedang beroperasi.

SIMPAN ARAHAN INI

BACA DENGAN TELITI DAN SIMPANNYA UNTUK RUJUKAN MASA DEPAN.

**UNTUK MENGURANGKAN RISIKO KECEDEeraan PADA ORANG YANG MEMASANG PEMBUMIAN****⚠ BAHAYA**

Bahaya Kejutuan Elektrik
Menyentuh beberapa komponen dalaman boleh menyebabkan kecederaan peribadi yang serius atau kematian. Jangan menyahpasang perkakas ini.

⚠ AMARAN!

Bahaya Kejutuan Elektrik
Penggunaan palam pbumian secara tidak betul boleh mengakibatkan kejutan elektrik. Jangan pasang palam pada soket sehingga perkakas dipasang dengan betul dan dibumikan.

Perkakas ini mestilah dibumikan. Sekiranya berlaku litar pintas elektrik, pbumian mengurangkan risiko kejutan elektrik dengan menyediakan dawai keluar untuk arus elektrik. Perkakas ini dilengkapi dengan kord yang mempunyai dawai pbumian dengan palam pbumian. Palam mesti dipasang pada soket yang dipasang dengan betul dan dibumikan.

Rujuk juru elektrik atau juruteknik yang berkelayakan jika arahan pbumian tidak difahami sepenuhnya atau jika keraguan wujud sama ada perkakas itu dibumikan dengan betul atau tidak. Sekiranya perlu menggunakan kord sambungan, gunakan kord sambungan 3 dawai sahaja.

- Kord bekalan kuasa pendek disediakan untuk mengurangkan risiko yang mengakibatkan tersangkut atau belantik pada kord yang lebih panjang.
- Sekiranya set kord panjang atau kord sambungan digunakan:
 - Tanda penarafan elektrik pada set kord atau kord sambungan hendaklah sekurang-kurangnya sama dengan penarafan elektrik perkakas.
 - Kord sambungan mestilah jenis pbumian kord 3 dawai.

- Kord yang panjang perlu diatur supaya ia tidak akan melabuh di atas meja dapur atau atas meja yang boleh ditarik oleh kanak-kanak atau tersadung secara tidak sengaja.

Mungkin terdapat sesetengah alatan dapur bukan logam yang tidak selamat digunakan untuk gelombang mikro. Jika berasa ragu, anda boleh menguji alatan dapur tersebut mengikut prosedur di bawah.

PEMBERSIHAN

Pastikan anda mencabut palam perkakas daripada bekalan kuasa.

- Bersihkan ruang dalam ketuhar selepas digunakan dengan kain yang sedikit lembap.
- Bersihkan aksesori dengan cara biasa menggunakan air sabun.
- Bingkai dan kedap pintu dan bahagian berdekatan mesti dibersihkan dengan berhati-hati menggunakan kain lembap apabila kotor.
- Jangan gunakan pembersih pelepas kasar atau pengikis logam tajam untuk membersihkan kaca pintu ketuhar kerana ini boleh mencalarkan permukaan, yang mungkin mengakibatkan kacanya pecah.
- Petua Pembersihan ★ Untuk pembersihan lebih mudah dinding ruang dalam yang boleh terkena oleh makanan yang dimasak: Letakkan lemon yang dipotong separuh di dalam mangkuk, tambah 300 ml (1/2 pain) air dan panaskan menggunakan kuasa gelombang mikro 100% selama 10 minit. Lap bersih ketuhar menggunakan kain lembut dan kering.

Ujian Alatan Dapur:

- Isikan bekas yang selamat digunakan untuk ketuhar gelombang mikro dengan 1 cawan air sejuk (250 ml) bersama dengan alatan dapur tersebut.
- Masak pada kuasa maksimum selama 1 minit.
- Berhati-hati menyentuh alatan dapur itu. Jika alatan dapur kosong itu panas, jangan gunakannya untuk memasak menggunakan gelombang mikro.
- Jangan melebihi masa memasak selama 1 minit.

⚠ AWAS

Bahaya Kecederaan Peribadi

Jangan biarkan orang selain mereka yang kompeten untuk menjalankan sebarang perkhidmatan atau operasi pembaikan yang melibatkan pengalihan penutup yang memberi perlindungan terhadap pendedahan kepada tenaga gelombang mikro.

Lihat arahan mengenai "**BAHAN-BAHAN YANG ANDA BOLEH GUNAKAN DALAM KETUHAR GELOMBANG MIKRO ATAU UNTUK DIELOK DALAM KETUHAR GELOMBANG MIKRO.**"

Bahan-bahan yang boleh anda gunakan di dalam ketuhar gelombang mikro

Alatan Dapur	Catatan
Penghidang pemerangan	Ikuti arahan pengilang. Bahagian bawah penghidang pemerangan perlu sekurang-kurangnya 3/16 inci (5 mm) di atas pinggan putar. Penggunaan yang tidak betul boleh menyebabkan pinggan putar pecah.
Set Makan Malam	Selamat digunakan untuk gelombang mikro sahaja. Ikuti arahan pengilang. Jangan gunakan bekas yang retak atau sumbing.
Balang kaca	Sentiasa mengalih keluar penutup. Gunakan hanya untuk memanaskan makanan sehingga cukup hangat. Kebanyakan balang kaca tidak tahan haba dan boleh pecah.
Alat Kaca	Alat kaca ketuhar tahan haba sahaja. Pastikan tiada alis logam. Jangan gunakan bekas yang retak atau sumbing.
Beg memasak untuk ketuhar	Ikuti arahan pengilang. Jangan tutup dengan tali logam. Buat torehan untuk membolehkan wap dibebaskan.
Pinggan dan cawan kertas	Gunakan untuk memasak/pemanasan jangka pendek sahaja. Jangan biarkan ketuhar tanpa pengawasan semasa memasak.
Tuala kertas	Gunakan untuk menutup makanan semasa memanaskan semula dan menyerap lemak. Gunakan dengan pengawasan untuk memasak jangka pendek sahaja.
Kertas pacmen	Gunakan sebagai penutup untuk menghalang percikan atau pembalut untuk mengukus.
Plastik	Selamat digunakan untuk gelombang mikro sahaja. Ikuti arahan pengilang. Mesti dilabelkan sebagai "Selamat Gelombang Mikro". Sesetengah bekas plastik menjadi lembut kerana makanan di dalamnya panas. "Beg didih" dan beg plastik yang ditutup ketat hendaklah ditoreh, ditikam atau dilubangkan seperti yang diarahkan oleh pakej.
Pembalut plastik	Selamat digunakan untuk gelombang mikro sahaja. Gunakan untuk menutup makanan semasa memasak untuk mengekalkan kelembapan. Jangan biarkan pembalut plastik menyentuh makanan.
Termometer	Termometer Selamat digunakan untuk gelombang mikro sahaja (termometer daging dan gula-gula).
Kertas lilin	Gunakan sebagai penutup untuk menghalang percikan dan mengekalkan kelembapan.

Bahan-bahan untuk dielakkan di dalam ketuhar gelombang mikro

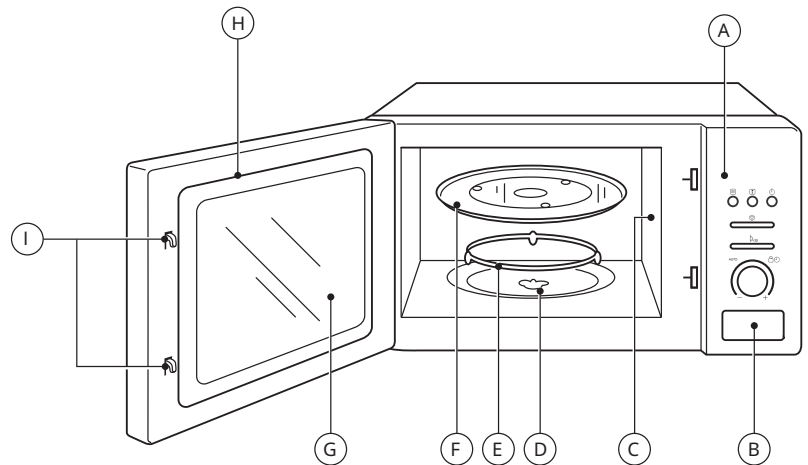
Alatan Dapur	Catatan
Dulang aluminium	Boleh menyebabkan pengarkaan. Pindahkan makanan ke dalam penghidang selamat digunakan untuk gelombang mikro.
Karton makanan dengan pemegang logam	Boleh menyebabkan pengarkaan. Pindahkan makanan ke dalam penghidang selamat digunakan untuk gelombang mikro.
Alatan dapur logam atau bersalut logam	Logam melindungi makanan dari tenaga gelombang mikro. Alis logam boleh menyebabkan pengarkaan.
Pengikat pulas logam	Boleh menyebabkan pengarkaan dan boleh menyebabkan kebakaran di dalam ketuhar.
Beg kertas	Boleh menyebabkan kebakaran di dalam ketuhar.
Busa plastik	Busa plastik mungkin mencair atau mencemarkan cecair di dalam apabila terdedah
Kayu	Kayu akan mengering apabila digunakan dalam ketuhar gelombang mikro dan boleh pecah atau retak.

Keterangan Produk

Memasang ketuhar anda
Nama bahagian dan aksesori ketuhar

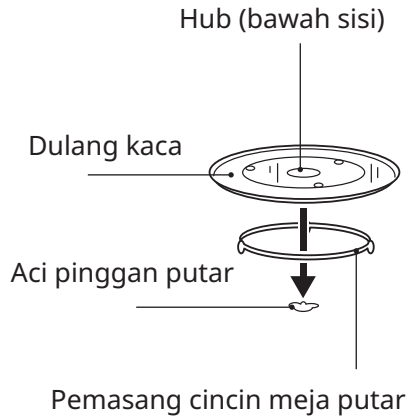
Keluarkan ketuhar dan semua bahan daripada karton dan ruang dalam ketuhar. Ketuhar anda dilengkapi dengan aksesori berikut:

- Dulang kaca 1x
- Pemasangan gelang pinggan putar 1x
- Manual arahan 1x
- Templat penggerudian 1x
- Arahan pemasangan 1x



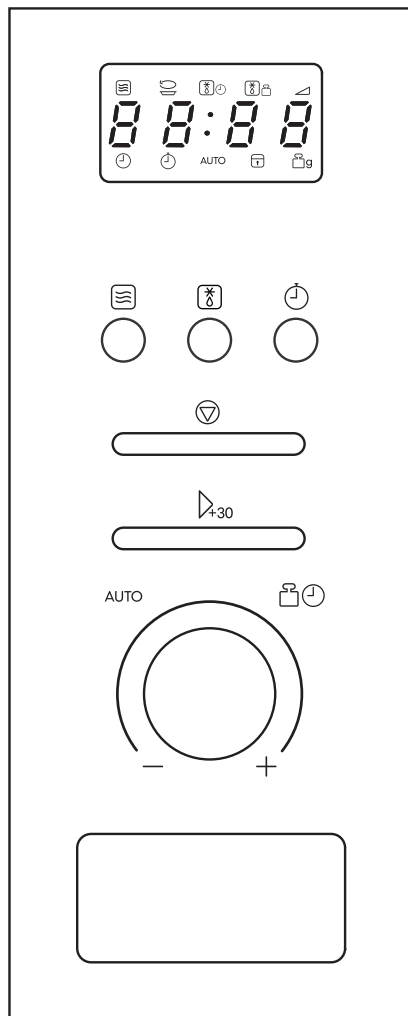
- A) Panel kawalan
- B) Butang pembukaan pintu
- C) Penutup panduan gelombang (Jangan keluarkan)
- D) Aci pinggan putar
- E) Pemasang cincin meja putar
- F) Dulang kaca
- G) Tingkap pemerhatian
- H) Pemasang pintu
- I) Sistem saling kunci keselamatan

Pemasangan pinggan putar



- a) Jangan letakkan dulang kaca secara terbalik. Jangan sesekali menyekat dulang kaca.
- b) Kedua-dua dulang kaca dan pemasang gelang pinggan putar mesti sentiasa digunakan semasa memasak.
- c) Semua makanan dan bekas makanan sentiasa diletakkan di atas dulang kaca untuk memasak.
- d) Jika dulang kaca atau pemasang gelang pinggan putar retak atau pecah, sila hubungi pusat perkhidmatan yang terdekat.
- e) Jangan sesekali meletakkan makanan sejuk beku terus di atas pinggan putar yang hangat.

Panel kawalan



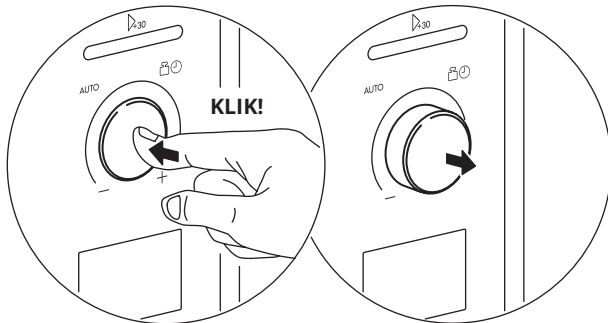
ARAHAN

- Gelombang Mikro
- Pemasa/Jam Dapur
- Mula/+30 Saat/Sahkan
- Masa
- Nyahfros Berat/Masa
- Berhenti/Kosongkan
- Menu Auto

Menggunakan ketuhar gelombang mikro

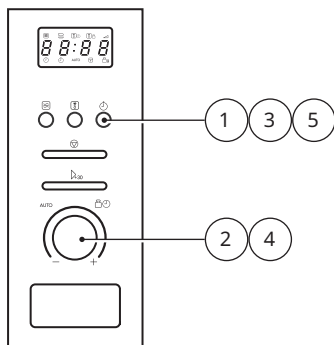
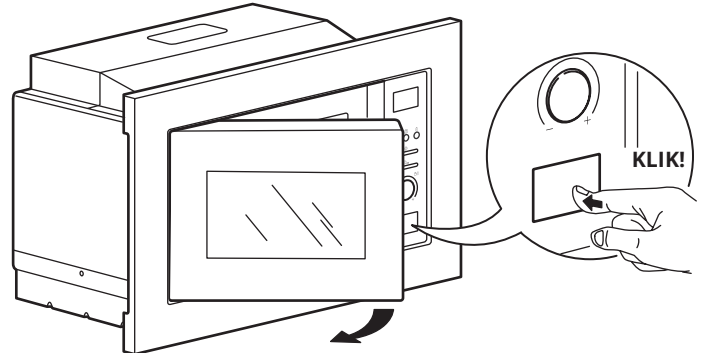
Menggunakan tombol

Untuk menggunakan tombol pilihan, tolak ke dalam dan ia akan keluar.



Buka pintu

Tekan butang untuk membuka pintu.



Tetapan jam

Apabila ketuhar gelombang mikro dihidupkan, skrin akan memaparkan "0:00", pembaz akan berdering sekali.

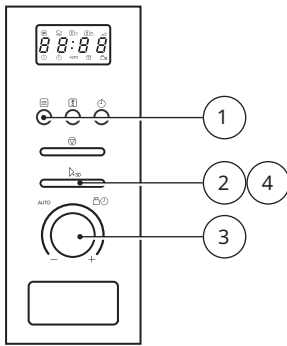
1. Tekan **Pemasa/Jam Dapur** dua kali untuk memilih fungsi jam, angka jam akan berkelip.
2. Pusing tombol untuk menyelaraskan angka jam, masa input mesti dalam 0--23.
3. Tekan **Pemasa/Jam Dapur**, angka minit akan berkelip, angka jam akan menyala.
4. Pusing tombol untuk menyelaraskan angka minit, masa input mesti dalam 0--59.
5. Tekan **Pemasa/Jam Dapur** untuk menyelesaikan tetapan jam, : akan berkelip.

Nota: Semasa proses tetapan jam, jika anda tidak menekan **Pemasa/Jam Dapur** untuk mengesahkan dalam 1 minit, ketuhar akan kembali ke status sebelumnya secara automatik.

Fungsi penguncian untuk kanak-kanak

Kunci: Dalam keadaan menunggu, tekan **Berhenti/Kosongkan** selama 3 saat, akan ada "bip" panjang yang menandakan memasuki keadaan kunci kanak-kanak dan skrin akan memaparkan [] atau masa semasa.

Buka kunci: Dalam keadaan berkunci, tekan **Berhenti/Kosongkan** selama 3 saat, akan ada "bip" panjang yang menunjukkan bahawa kunci dilepaskan.



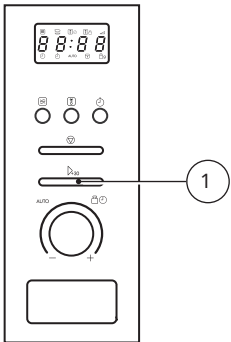
Memasak dengan gelombang mikro

1. Tekan **Gelombang mikro** sekali, skrin akan memaparkan **80** yang berkelip. Tekan **Gelombang mikro** secara berulang atau putarkan tombol untuk memilih kuasa yang anda inginkan.
2. Kemudian tekan **Mula/+30 Saat** untuk mengesahkan tahap kuasa yang dipilih.
3. Pusing tombol untuk menetapkan masa memasak dari 0:05 hingga 95:00.
4. Tekan **Mula/+30 Saat** sekali lagi untuk mula memasak.

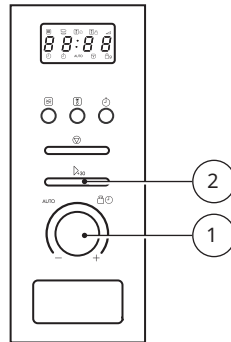
Nota: Langkah masa untuk memusing tombol adalah seperti berikut:

0---1 min	:	5 saat
1---5min	:	10 saat
5---10 min	:	30 saat
10---30 min	:	1 minit
30---95 min	:	5 minit

Mula pantas alternatif 1



Mula pantas alternatif 2



Mula pantas alternatif 1

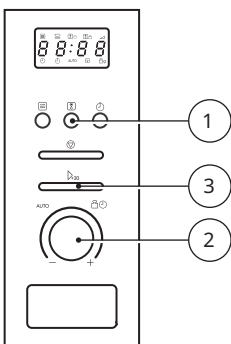
1. Dalam mod siap sedia, tekan **Mula/+30 Saat** untuk memulakan memasak dengan kekuatan penuh selama 30 saat, setiap penekanan tambahan akan meningkatkan masa memasak selama 30 saat hingga 95 minit.

Mula pantas alternatif 2

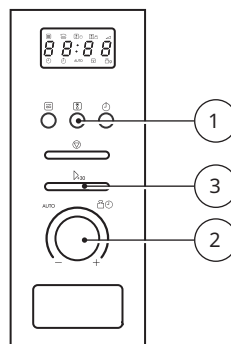
1. Dalam mod siap sedia, pusing tombol ke kanan untuk menetapkan masa.
2. Tekan **Mula/+30 Saat** untuk mula memasak pada kuasa gelombang mikro penuh.

Nota: Dalam keadaan gelombang mikro atau nyahfros masa, setiap penekanan **Mula/+30 Saat** boleh meningkatkan 30 saat masa memasak.

Nyahfros ikut berat



Nyahfros ikut masa



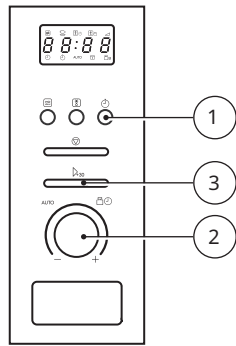
Nyahfros ikut berat

1. Tekan **Nyahfros Berat/Masa** sekali, dan ketuhar akan memaparkan **def1**.
2. Pusing tombol untuk memilih berat makanan dari 100 hingga 2000g.
3. Tekan **Mula/+30 Saat** untuk mula menyahfros.

Nyahfros ikut masa

1. Tekan **Nyahfros Berat/Masa** dua kali, dan ketuhar akan memaparkan **def2**.
2. Pusing tombol untuk memilih masa nyahfros. Masa MAKS. ialah 95 minit.
3. Tekan **Mula/+30 Saat** untuk mula menyahfros.

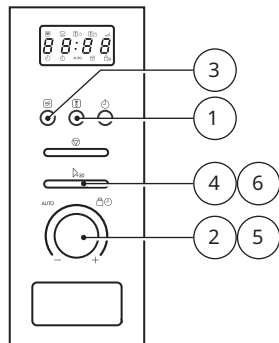
Produk akan meminta anda menterbalikkan makanan setelah separuh masa ditetapkan untuk nyahfros. Buka pintu dan terbalikkan makanan, tutup pintu dan tekan **Mula/+30 Saat** untuk terus menyahfros.



Pemasa dapur

1. Tekan **⏰ Pemasa/Jam Dapur** sekali, skrin akan memaparkan **00:00**, petunjuk jam akan menyala.
2. Pusing tombol **🕒** untuk masukkan masa yang betul. (Masa maksimum untuk ditetapkan ialah 95 minit.)
3. Tekan **▶₃₀ Mula/+30 Saat** untuk mengesahkan tetapan, penunjuk jam akan berkelip.

Apabila masa dapur sampai, penunjuk jam akan padam dan pembaz berbunyi 5 kali.



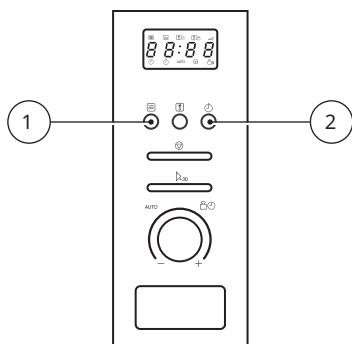
Produk ini boleh ditetapkan untuk melakukan pelbagai tahap memasak, penyahfros diikuti dengan pemanasan semula:

Memasak pelbagai bahagian

1. Tekan **⊞ Nyahfros Berat/Masa** dua kali, dan ketuhar akan memaparkan **dEF2**.
2. Pusing tombol **🕒** untuk memilih masa nyahfros.
3. Tekan **🌀 Gelombang Mikro** sekali, skrin akan memaparkan **80**, tolak butang berkali-kali atau pusing tombol untuk menetapkan kuasa gelombang mikro yang diminta.
4. Tekan **▶₃₀ Mula/+30 Saat** untuk mengesahkan tetapan kuasa.
5. Pusing tombol **🕒** untuk memilih masa memasak.
6. Tekan **▶₃₀ Mula/+30 Saat** untuk mula memasak.

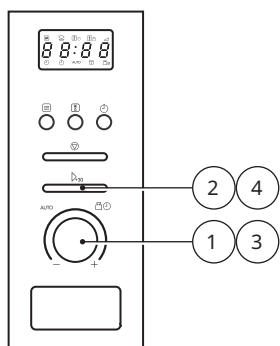
Produk akan meminta anda menterbalikkan makanan setelah separuh masa ditetapkan untuk nyahfros.

Buka pintu dan terbalikkan makanan, tutup pintu dan tekan **▶₃₀ Mula/+30 Saat** untuk terus menyahfros. Pembaz akan berbunyi sekali lagi memasuki masakan kedua. Apabila memasak selesai, pembaz berbunyi lima kali.



Fungsi ingin tahu

1. Dalam keadaan memasak gelombang mikro, tekan **🌀 Gelombang Mikro**, kuasa semasa akan dipaparkan selama 3 saat.
2. Dalam keadaan memasak, tekan **⏰ Pemasa/Jam Dapur** untuk menanyakan waktu hari, waktu akan dipaparkan selama 3 saat.



Menu auto

1. Pusing tombol "0" kiri untuk memilih menu, dan **A-1** hingga **A-8** akan dipaparkan.
2. Tekan Δ_{30} **Mula/+30 Saat** untuk mengesahkan makanan yang dipilih.
3. Pusing tombol "0" untuk memilih berat lalai seperti carta menu.
4. Tekan Δ_{30} **Mula/+30 Saat** untuk mula memasak.

MENU	BERAT	PAPARAN
A-1 Piza	200g	200
	400g	400
A-2 Daging	250g	250
	350g	350
	450g	450
A-3 Sayuran	200g	200
	300g	300
	400g	400
A-4 Pasta	50g (dengan 450g air sejuk)	50
	100g (dengan 800g air sejuk)	100
A-5 Kentang	200g	200
	400g	400
	600g	600
A-6 Ikan	250g	250
	350g	350
	450g	450
A-7 Minuman	1 cawan (120 ml)	1
	2 cawan (240 ml)	2
	3 cawan (360 ml)	3
A-8 Bertih jagung	50g	50
	100g	100

Nota: Kelas makanan juga boleh ditemui pada label di dalam pintu.

Menyelesaikan masalah

Normal	
Ketuhar gelombang mikro mengganggu penerimaan TV	Penerimaan radio dan TV boleh diganggu apabila ketuhar gelombang mikro beroperasi. Ia sama dengan gangguan perkakas elektrik kecil, seperti pengadun, pembersih vakum, kipas elektrik. Ini perkara yang normal.
Lampu ketuhar malap	Ketika memasak menggunakan gelombang mikro yang berkuasa rendah, cahaya ketuhar mungkin menjadi malap. Ini perkara yang normal.
Wap terkumpul pada pintu, udara panas keluar dari lubang.	Semasa memasak, wap boleh keluar dari makanan. Kebanyakan akan keluar dari lubang, tetapi ada yang mungkin berkumpul di tempat yang sejuk seperti pintu ketuhar. Ini perkara yang normal.
Ketuhar bermula secara tidak sengaja tanpa makanan di dalamnya.	<i>Dilarang untuk menjalankan unit tanpa makanan di dalamnya. Ini sangat berbahaya.</i>

Masalah	Kemungkinan Penyebab	Remedi
Ketuhar tidak boleh dihidupkan.	(1) Kord kuasa tidak dipalam dengan kemas.	Cabut kord. Tunggu 10 saat dan pasang semula.
	(2) Fius terbakar atau pemutus litar diaktifkan.	Gantikan fius atau set semula pemutus litar (dibaiki oleh kakitangan profesional syarikat kami)
	(3) Masalah dengan soket.	Uji soket dengan perkakas elektrik lain.
Ketuhar tidak panas	(4) Pintu tidak ditutup dengan baik.	Tutup pintu dengan baik.

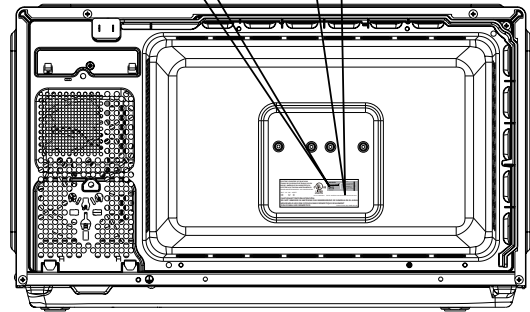
Spesifikasi

Model:	LAGAN 106.094.98
Voltan Terkadar:	230V~50 Hz
Kuasa Input Terkadar (Gelombang Mikro):	1250 W
Kuasa Output Terkadar (Gelombang Mikro):	800 W
Kapasiti Ketuhar:	20 l
Diameter Pinggan Putar:	Ø 245 mm
Dimensi Luaran:	595x344x394 mm
Berat Bersih:	15 kg
Kuasa mod tunggu sedia:	0.8W
Masa maksimum diperlukan untuk ketuhar gelombang mikro mencapai mod atau keadaan kuasa rendah yang berkenaan secara automatik:	20 minit

Nombor Siri (mula dengan SN, kod 22 digit)

Nombor siri:xxxxxxxxxxxxxxxxxxxxxxxx

Nombor Artikel (kod 8 digit)



Gambar untuk rujukan sahaja

Pemasangan dan sambungan

1. Perkakas ini hanya bertujuan untuk kegunaan dalam rumah.
2. Ketuhar ini hanya bertujuan untuk kegunaan dipasang dalam. Ia tidak bertujuan untuk penggunaan kaunter atas atau untuk digunakan di dalam almari.
3. Sila teliti arahan pemasangan khas.
4. Perkakas ini boleh dipasang di dalam almari yang dipasang di dinding selebar 60 cm.
5. Perkakas ini dilengkapi dengan palam dan hanya boleh disambungkan ke soket pbumian yang dipasang dengan betul.
6. Voltan elektrik mesti sesuai dengan voltan yang dinyatakan pada plat pengedaran.
7. Soket mesti dipasang dan kabel penyambung hanya boleh diganti oleh juruelektrik yang berkelayakan. Sekiranya palam tidak lagi dapat

diakses setelah pemasangan, peranti pemutus litar semua kutub mesti ada di sebelah pemasangan dengan jurang bersentuh sekurang-kurangnya 3 mm.

8. Penyesuai, penyambung pelbagai arah dan wayar penyambung tidak boleh digunakan. Beban berlebihan boleh mengakibatkan risiko kebakaran.
9. Produk tidak boleh dipasang di bawah 85 cm.



Permukaan yang mudah dicapai mungkin panas semasa operasi.

Kebimbangan Alam Sekitar



Menurut arahan Sisa Peralatan Elektrik dan Elektronik (WEEE), WEEE perlu dikumpul dan dirawat secara berasingan. Pada bila-bila masa yang akan datang sekiranya anda perlu melupuskan produk ini, jangan lupus produk ini bersama sisa isi rumah. Sila hantar produk ini ke pusat pengumpulan WEEE yang disediakan.

Jaminan Ikea

Berapa lamakah jaminan IKEA akan kekal sah?

Jaminan ini sah selama lima (5) tahun dari tarikh asal pembelian perkakas anda di IKEA. Resit jualan yang asal diperlukan sebagai bukti pembelian. Sekiranya kerja servis dijalankan di bawah jaminan, ia tidak akan memanjangkan tempoh jaminan bagi peralatan tersebut.

Peralatan LAGAN yang manakah tidak dilindungi oleh jaminan 5 tahun IKEA?

Peralatan LAGAN yang dibeli dari IKEA sebelum 1 Mei 2026 dilindungi oleh jaminan 2 tahun, bermula dari tarikh pembelian asal.

Siapakah yang akan menjalankan servis?

Penyedia perkhidmatan IKEA akan menyediakan perkhidmatan melalui operasi perkhidmatannya sendiri atau rangkaian rakan perkhidmatan yang sah.

Apakah yang dirangkumi oleh jaminan ini?

Jaminan ini merangkumi kerosakan alat, yang disebabkan oleh pembinaan yang tidak betul atau kerosakan bahan dari tarikh pembelian daripada IKEA. Jaminan ini hanya untuk kegunaan rumah sahaja. Pengecualian dinyatakan di bawah tajuk "Apakah yang tidak dirangkumi oleh jaminan ini?" Dalam tempoh jaminan, kos membaiki kerosakan, contohnya pembaikan, alat ganti, buruh dan perjalanan akan ditanggung, dengan syarat alat ini boleh dibaiki tanpa perbelanjaan khas. Dengan syarat-syarat ini, peraturan tempatan masing-masing terpakai. Bahagian yang diganti akan menjadi hak milik IKEA.

Apakah yang akan IKEA lakukan untuk membetulkan masalah?

Penyedia Perkhidmatan yang dilantik IKEA akan memeriksa produk dan memutuskan, mengikut budi bicara mutlak, jika ia dilindungi di bawah jaminan ini. Sekiranya dianggap dirangkumi, penyedia perkhidmatan IKEA atau rakan perkhidmatannya yang sah melalui operasi perkhidmatannya sendiri, kemudian, mengikut budi bicara mutlak, sama ada memperbaiki produk yang rosak atau menggantinya dengan produk yang sama atau setara.

Apakah yang tidak dirangkumi oleh jaminan ini?

- Haus dan lusuh yang biasa.
- Kerosakan yang disengajakan atau cuai, kerosakan disebabkan oleh kegagalan mematuhi arahan pengendalian, pemasangan yang tidak betul atau menyambung ke voltan yang salah, kerosakan disebabkan oleh tindak balas bahan kimia atau elektrokimia, karat, kakisan atau kerosakan air termasuk tetapi tidak terhad kepada kerosakan yang disebabkan oleh terlebih batu kapur dalam bekalan air, kerosakan yang disebabkan oleh ketidaknormalan keadaan persekitaran.
- Bahagian guna habis termasuk bateri dan lampu.
- Bahagian tidak berfungsi dan hiasan yang tidak menjejaskan penggunaan alat yang biasa, termasuk apa-apa calar dan kemungkinan perubahan warna.
- Kerosakan yang tidak disengajakan yang disebabkan oleh objek atau bahan asing, serta membersihkan dan membuang halangan penapis, sistem saliran atau laci sabun.
- Kerosakan pada bahagian berikut: kaca seramik, aksesori, pinggan mangkuk dan bakul kutleri, paip suapan dan saliran, pengedap, lampu dan penutup lampu, skrin, tombol, kelongsong dan bahagian kelongsong. Melainkan kerosakan sedemikian boleh dibuktikan disebabkan oleh kesilapan pengeluaran.
- Kes-kes sekiranya tidak ada kerosakan yang dapat dijumpai semasa lawatan juruteknik.
- Pembaikan tidak dilakukan oleh penyedia perkhidmatan yang dilantik oleh kami dan/atau rakan kongsi kontrak perkhidmatan yang sah atau alat ganti tidak tulen digunakan.
- Pembaikan yang disebabkan oleh pemasangan yang tidak betul atau tidak mengikut spesifikasi.
- Penggunaan alat ini dalam persekitaran bukan rumah, iaitu kegunaan profesional.
- Kerosakan disebabkan oleh pengangkutan. Jika pelanggan mengangkut produk ini ke rumahnya atau ke alamat yang lain, IKEA tidak bertanggungjawab ke atas apa-apa kerosakan yang mungkin berlaku semasa ia diangkut. Akan tetapi, jika IKEA menghantar produk ini ke alamat penghantaran pelanggan, maka kerosakan kepada produk yang berlaku semasa penghantaran ini akan ditanggung oleh IKEA.
- Kos melakukan pemasangan permulaan alat IKEA.

- Akan tetapi, jika Penyedia Perkhidmatan yang dilantik IKEA atau rakan kongsi perkhidmatannya yang sah membaiki atau menggantikan alat ini di bawah terma jaminan ini, Penyedia Perkhidmatan yang dilantik atau rakan kongsi perkhidmatannya yang sah akan memasang semula alat yang dibaiki atau memasang gantinya, jika perlu.
- Semua pempaipaan dan pemasangan elektrik, bukan tanggungjawab IKEA, dan pelanggan mesti menyelesaikan kerja-kerja ini sebelum kerja pelaksanaan dijalankan.

Bagaimana undang-undang negara diguna pakai

Jaminan IKEA memberi anda hak undang-undang khusus, yang merangkumi atau melampaui semua tuntutan undang-undang tempatan. Namun begitu, syarat-syarat ini tidak mengehadkan dalam apa cara hak pengguna yang diterangkan dalam undang-undang tempatan.

Kawasan kesahan

Jaminan ini hanya sah di negara tempat produk dibeli; perkhidmatan akan diberikan dalam kerangka syarat jaminan. Kewajipan untuk melaksanakan perkhidmatan dalam rangka kerja jaminan wujud hanya sekiranya alat ini mematuhi dan dipasang menurut:

- spesifikasi teknikal negara di mana tuntutan jaminan dibuat;
- Arahan Pemasangan dan Maklumat Keselamatan Buku Panduan Pengguna;

Khidmat SELEPAS JUALAN khusus untuk perkakas IKEA

Jangan ragu-ragu untuk menghubungi Pusat Perkhidmatan Sah yang dilantik IKEA untuk:

- membuat permohonan perkhidmatan di bawah jaminan ini;
- meminta penjelasan mengenai pemasangan perkakas IKEA di perabot dapur IKEA khusus;
- meminta penjelasan tentang fungsi alat IKEA.

Untuk memastikan kami memberikan anda bantuan yang terbaik, sila baca dengan teliti Arahan Pemasangan dan/atau Buku Panduan Pengguna sebelum menghubungi kami.

Cara untuk menghubungi kami jika anda memerlukan perkhidmatan



Pusat perkhidmatan pelanggan selepas jualan IKEA akan membantu anda melalui telefon untuk penyelesaian masalah asas bagi alat anda pada masa panggilan permohonan perkhidmatan. Sila rujuk kepada

www.IKEA.com

dan pilih kedai tempatan anda untuk nombor telefon kedai dan waktu buka.

Sebelum menghubungi kami, pastikan bahawa Anda bersedia untuk memberikan nombor artikel IKEA (kod 8 digit) dan Nombor Siri (kod 8 digit yang boleh didapati di plat pengedaran) untuk alat yang anda perlukan bantuan kami.

i SIMPAN RESIT JUALAN!

ia merupakan bukti pembelian anda dan diperlukan untuk jaminan menjadi sah.

Ambil perhatian bahawa resit juga melaporkan nama dan nombor artikel IKEA (kod 8 digit) untuk setiap alat yang telah anda beli.

Adakah anda memerlukan bantuan lanjut?

Untuk sebarang soalan lain yang tidak berkaitan dengan Selepas Jualan alat anda, sila hubungi pusat panggilan kedai IKEA yang terdekat. Kami menyarankan supaya anda membaca dokumen alat ini dengan teliti sebelum menghubungi kami.

