

SKYTTA installation guide



The installation guide

Installing your new SKYTТА system correctly

This brochure is your guide to preparing and installing the SKYTТА system by yourself. Inside you'll find clear steps to follow as well as useful tips and ideas. Use this guide along with your IKEA Assembly Instructions to make sure your SKYTТА sliding doors are installed in the right way.

Before you begin

Go through this brochure in order to see what stages are involved in the process and which tools you will need. To make sure you have everything, compare the packages and parts you have at home against the order list and the freight list. Remember that the SKYTТА system is suitable for a reach-in or walk-in wardrobe or as a room divider.

You can do it yourself, but you don't have to

Although our SKYTТА system is designed to be as simple as possible for you to assemble and install it yourself, it is important to consider all different situations you might encounter based on the height of your ceiling.

In case your ceiling is too low or you install the doors in a room with a sloping ceiling, you will need to cut the door frames and panels. This step requires more skill and experience than others and we strongly recommend you get the help of a professional carpenter who has the right tools.

We can offer you services ranging from planning and delivery to system installation. For more details see the back page of this guide, the SKYTТА section of www.IKEA.my or contact your local IKEA store.

Table of contents

| | |
|------------------------------------------------|----|
| Sliding doors for all spaces with SKYTТА | 3 |
| Tools | 4 |
| Before you start | 5 |
| SKYTТА parts..... | 7 |
| To think about | 8 |
| Height options..... | 10 |
| The doors fit perfectly | 11 |
| A little space left above the system | 12 |
| A lot of space left above the door | 13 |
| The doors are too high..... | 14 |
| Sloped ceiling | 15 |
| More information..... | 16 |
| Services | 16 |

Sliding doors for all spaces with SKYTТА

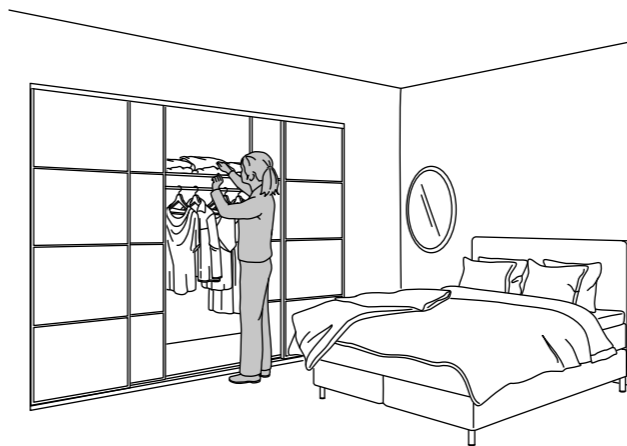
All homes, big and small, have their challenges. Maybe there's a lack of storage, or all of everyday living in the home needs. With SKYTТА sliding door system, you can use your square metres smarter and create a home office in the living room or a spacious walk-in wardrobe in the bedroom as if by magic.

More room, same space

Save space, create new space or hide space with SKYTТА sliding doors. The door frames and rails come in three different colours and combine with panels from the PAX range to create a personal solution.

Made to run between the ceiling and floor and from wall to wall, so no wardrobe frames are needed, and suitable with any of our storage systems that suit your space. Or use them as a room divider. Choose a sleek, minimalistic door or an industrial looking glass door to set the style in your room.

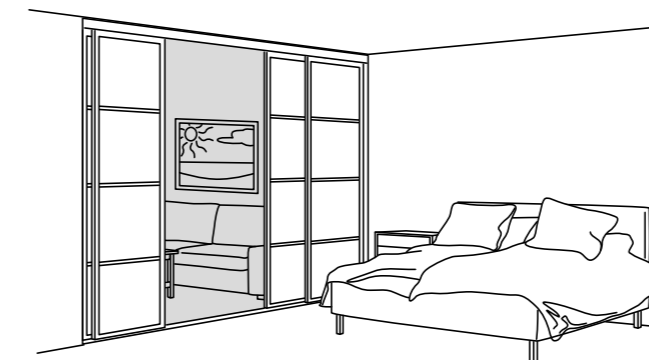
Reach-in wardrobe



Walk-in wardrobe



Room divider



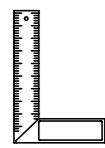
Plan on paper or use the planner tool

Planning your SKYTТА sliding doors can be a bit tricky, and it's important that all the measurements are correct and aligned. It's perfectly fine to plan on paper if that's what you prefer, but there's also a planner tool available at www.IKEA.my to help you out!

Tools

Here is a summary of the basic tools you'll need. In addition you'll find what tools to use for each product in their respective Assembly Instructions.

Basic tools



Try square



Screwdriver



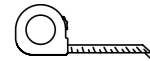
Hammer



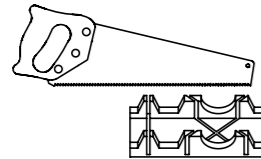
Pencil



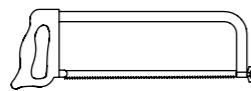
rasp



Carpenter's rule
(or tape measure)



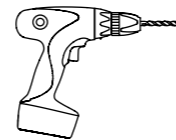
Saw and Miter box



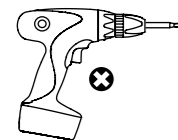
Hacksaw



Step ladder



Electric drill



Electric screwdriver



Spirit level



Protective gloves and goggles

Before you start

In the buying process you have decided the number of doors, door widths and door tracks that will suit for your width and storage behind. You need to have this layout with you in the assembly of the system as you need to know how to place the doors.

Make sure you have the space to cut the rails and assemble the doors.

Check the room to see if you need to make any adjustments, e.g. floor, ceiling etc.

Take into consideration electric outlets, cables, wires etc. and make sure they do not interfere with the SKYTТА system.

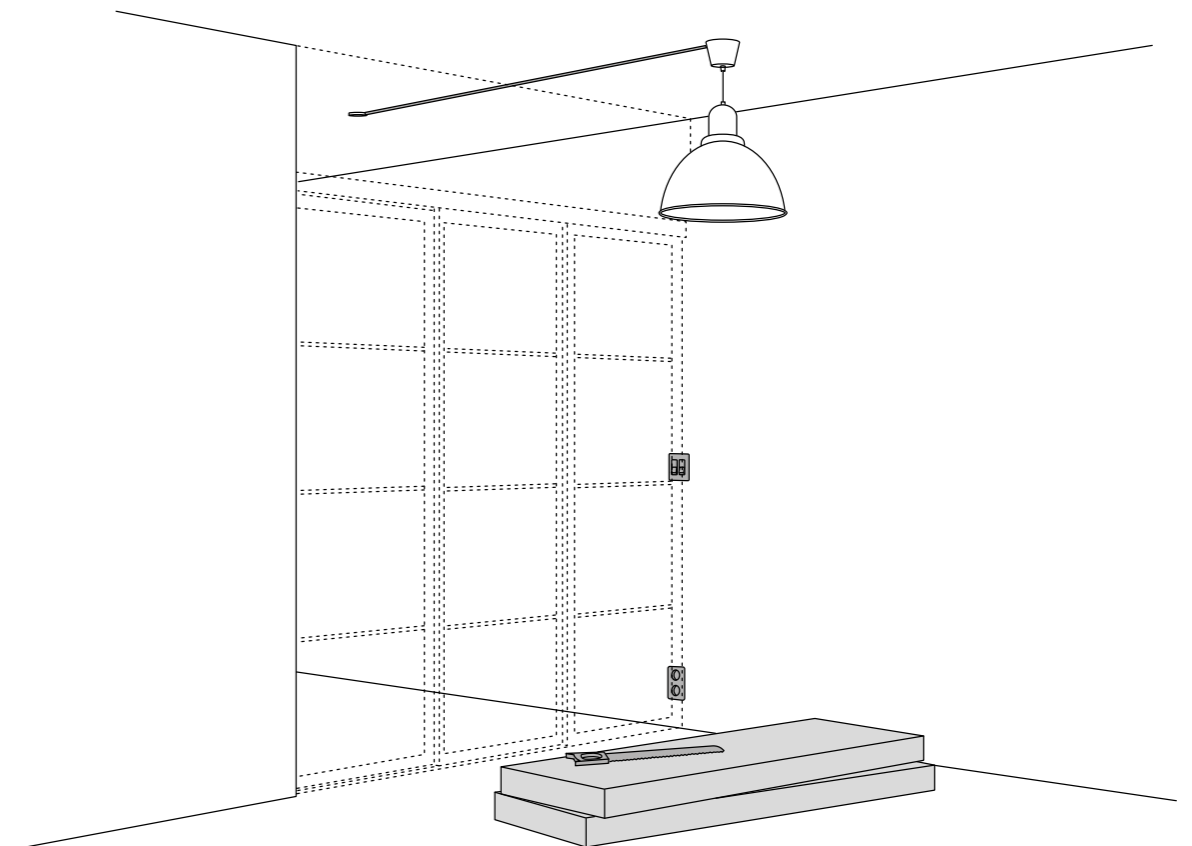
Check the packages and make sure everything you need is present.

Find main assembly Instructions in the SKYTТА basic fittings package.

Two people are recommended to work with SKYTТА system.

If any of above have been missed and you don't have a layout or considered stop bar or storage behind, you need to do this before continuing. Use SKYTТА planning tool.

SKYTТА has been developed to work perfectly with other parts of IKEA storage offerings. If an existing solution is planned to be used outside of the IKEA range, then please check all measurements carefully to ensure compatibility.

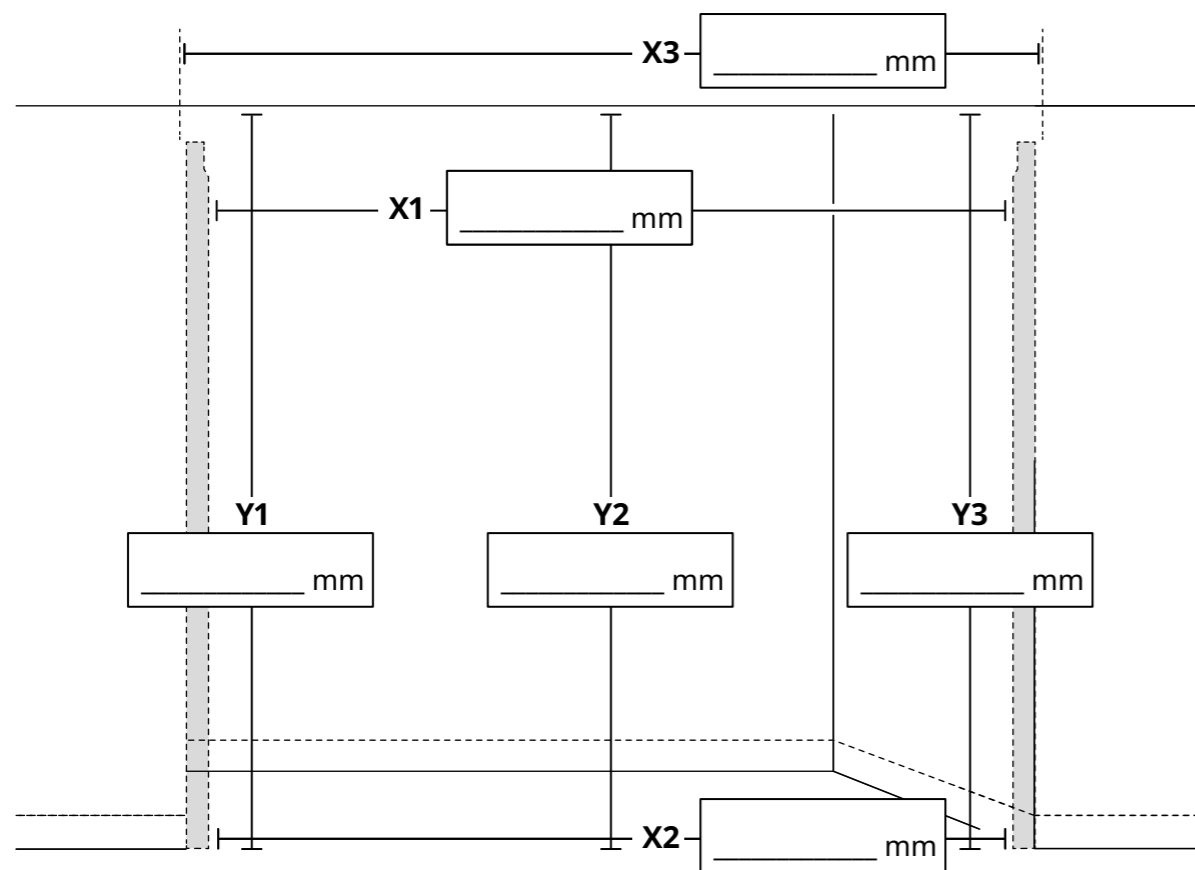
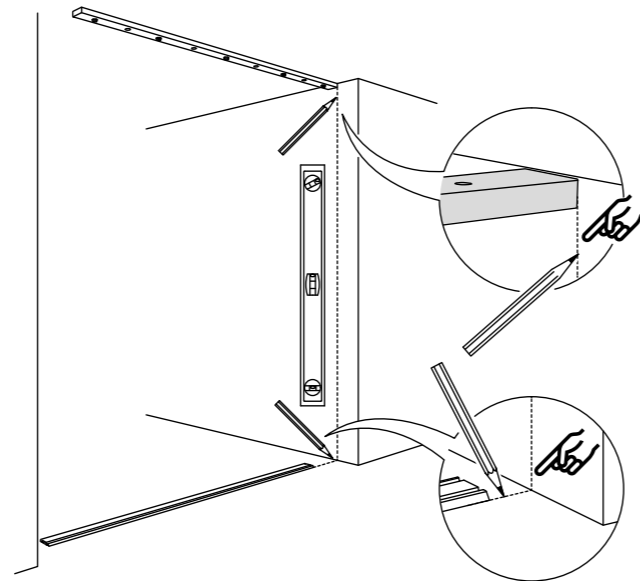


Marking key measurements

Mark with a line all around the opening where you are going to place the system. Mark the front of the system as in the illustration to the right. A crosshair laser is recommended to use.

Note! From the front of the storage solution to the front of the track/rails, you need 100 mm for a 2-track solution and 140 mm for a 3-track solution.

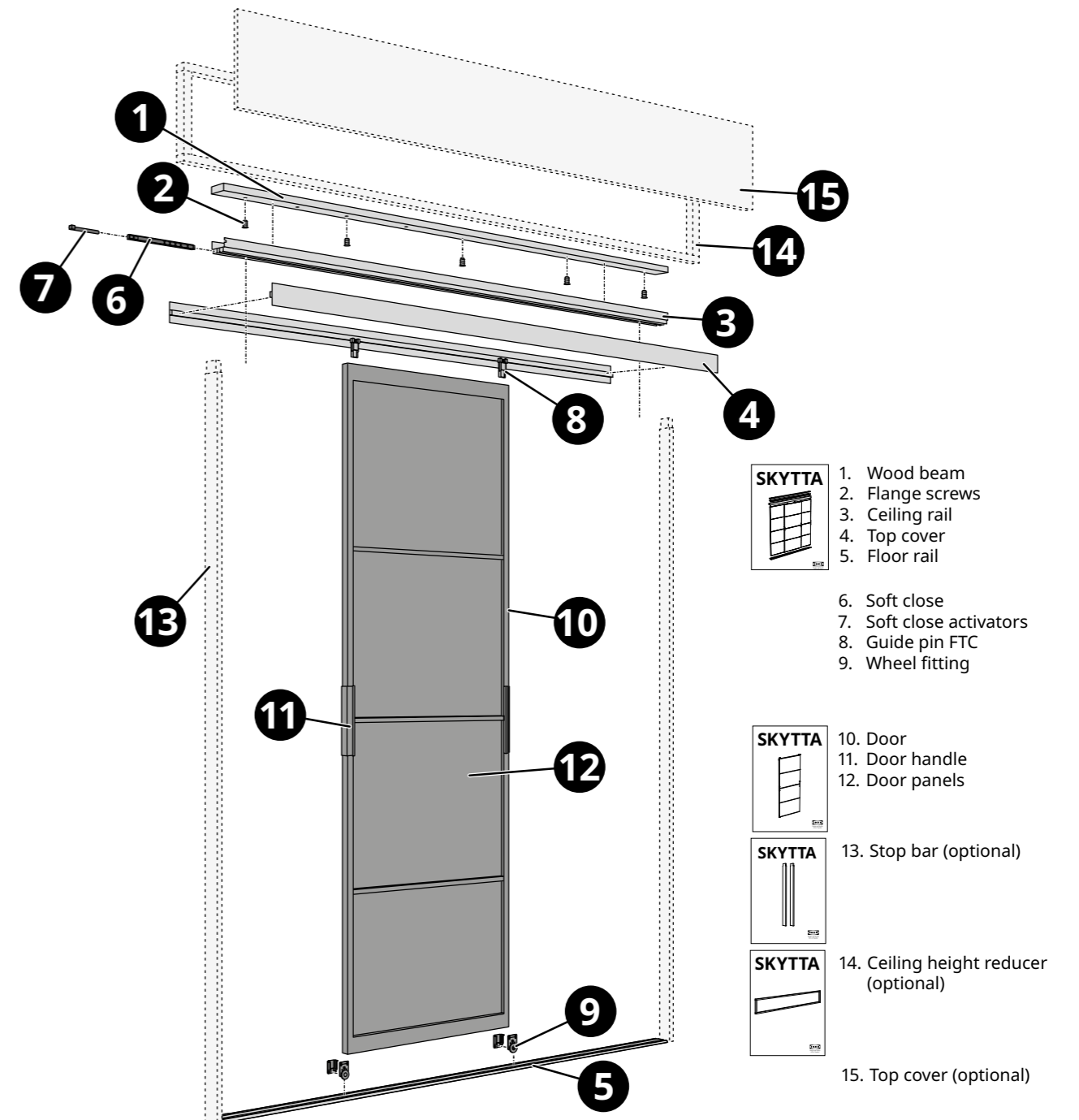
Check if the floor or/and walls are uneven and need to be adjusted. Measure the width (X1, X2, X3) after adjustment. X1 and X3 will be the same if stop bar isn't used. Measure the height (Y1, Y2, Y3) after adjustment.



SKYTТА parts

Since SKYTТА packages are picked together for each system combination you will have some different packages. Below is an overview of the different packages and parts. Make sure you have everything you need before starting the assembly.

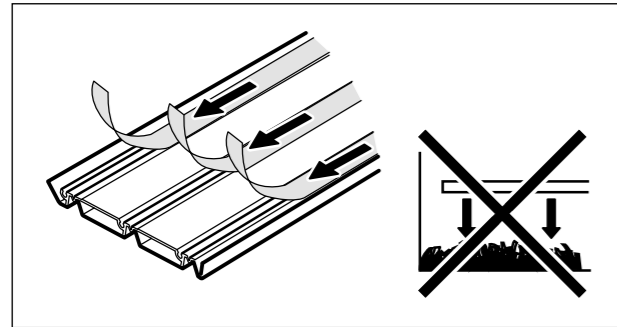
Main Assembly Instruction for the system is to be found in the fitting package for the end doors. This main Assembly Instruction will refer to other Assembly Instructions when it is time for that step.



To think about

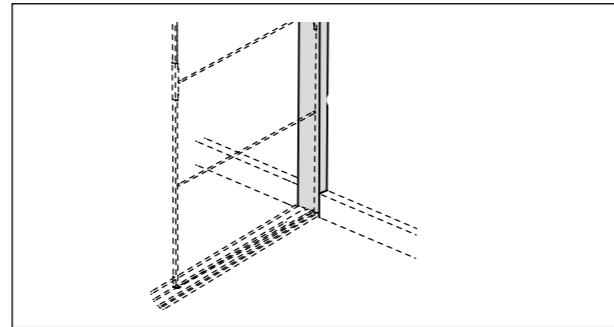
Here are some general tips to have in mind before you start assembling SKYTТА sliding doors. These tips are for all the solutions, and for more specific

tips depending on the solution that is applicable to your room, please see the following pages and the Assembly Instructions.



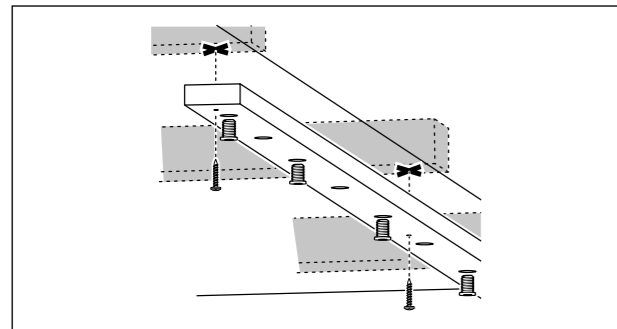
Floor rail

The floor rail is provided with double glue tape which works on solid flooring. Avoid using the floor rail on rugs, as it will not stay fixed properly. The system can be adjusted if the floor is uneven (0-2 mm per 1 m). Floor rail has a front side so make sure it is positioned correctly. If you are connecting two floor rails, make sure the cut end is facing the wall.



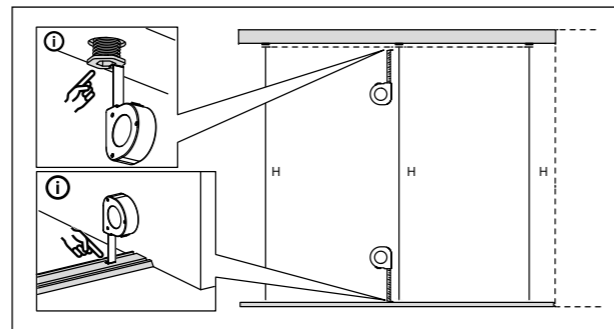
Stop bar

The wall or the stop bar will be the closing surface for the sliding door. In both alternatives it is important to have a straight and levelled closing surface. The system can be adjusted if the wall is uneven (0-3 mm per 1 m).



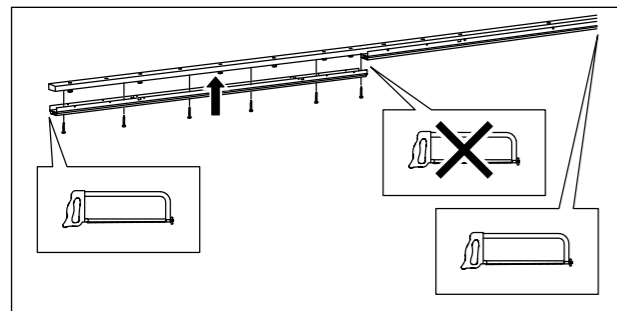
Wood beam

Since your ceiling will support the weight of your sliding door, start by finding safe fixing points for the wood beam. If you are connecting two wood beams, make sure that the front sides are in line with each other's. A flange screw is pre-mounted in every second hole. In some cases when you have cut the desired length, you need to move one flange screw so there is one on each side of the aluminium rail joint. Wood beam has a front side on the 3-track rail but is symmetric on the 2-track. Have screws with you as these are not included by IKEA.



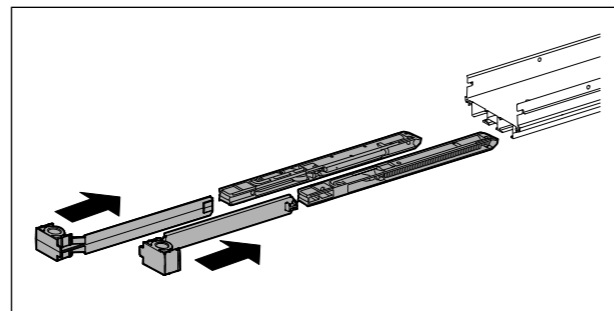
Adjust flange screw

In the assemble instruction you will find the measure H between the top of the floor rail to the flange on the flange screw. We recommend using the top cover as a ruler for the fine tuning to align them.



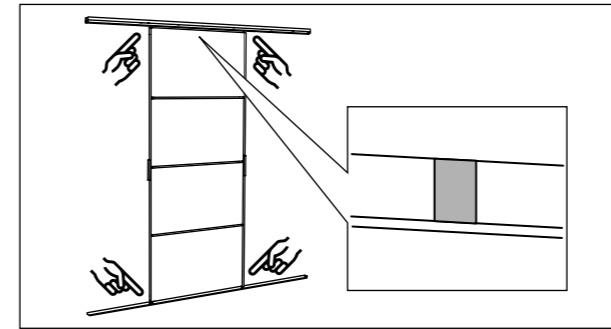
Ceiling rail

Ceiling rail can stay temporarily in place with screws, but we recommend that you don't stop holding it up. Screws should be mounted from below and from the front symmetrical in at least every second hole. Ceiling rail has a frontside on the 3-track rail but is symmetric on the 2-track. If you are connecting two ceiling rails, make sure the cut end is toward the wall. The rails should be aligned so be careful when tighten the screws close to the joint.



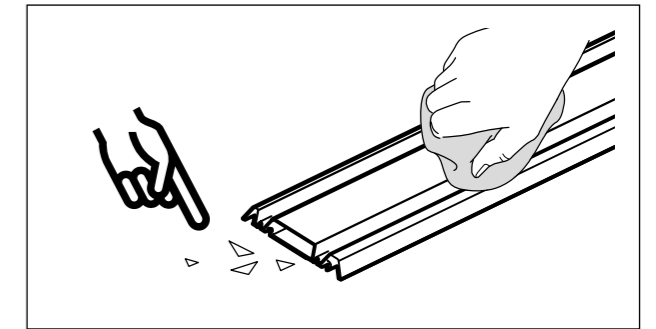
Soft close

Soft close and soft-closing activators must be mounted into the rail before the last ceiling rail is mounted. You need to place the parts according to your layout from the planning tool. The doors placed closest to the wall have two soft-closing mechanisms and end activator. Doors in the middle have one soft closing and one activator.



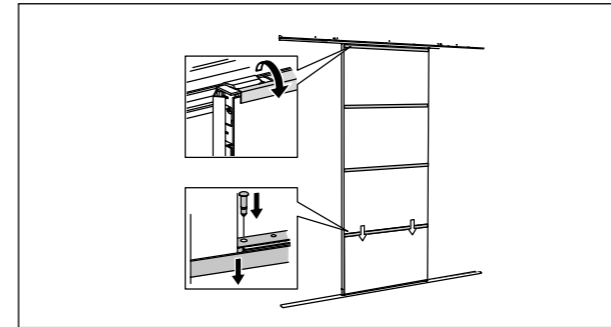
Door assembly

Door has two symmetrical side rails, bottom rail and top rail, marked. Wheel fitting is placed in the bottom and guide fitting in the top. Click in the horizontal bars on the side rails and spare them out so they match the height just above the fillers. Guide pins with wings shall be placed to match activator between doors.



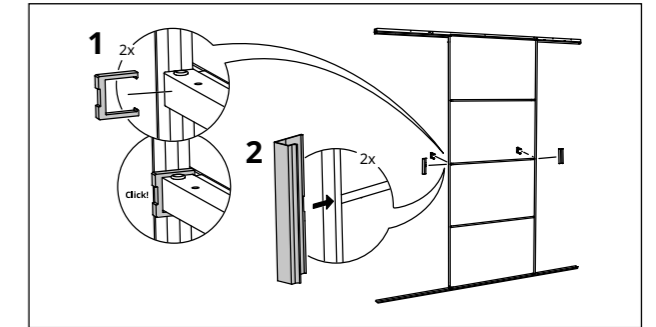
Mount door/clean floor rail

Clean the floor rail before mounting as dust can get stuck on the wheels. This should be done regularly to maintain a nice sliding of the doors. Follow the layout with activator/soft closing. Guide pins with wings shall be connected to activator/soft closing between doors.



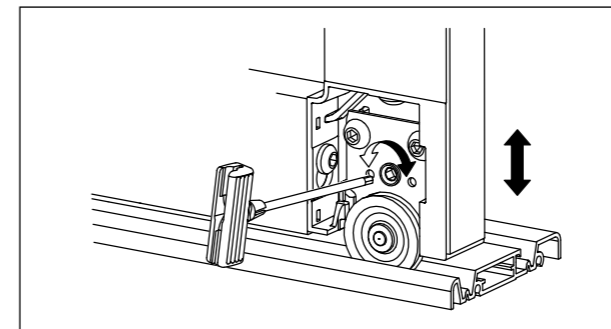
Door fillers

Door fillers are centred between the door side rails. Make sure that the panel is inside the gasket flange. Never leave the filler without mounting the horizontal bar or the top lid closed for the top filler. Plastic pin in the bar clicks in to secure that it can't be released.



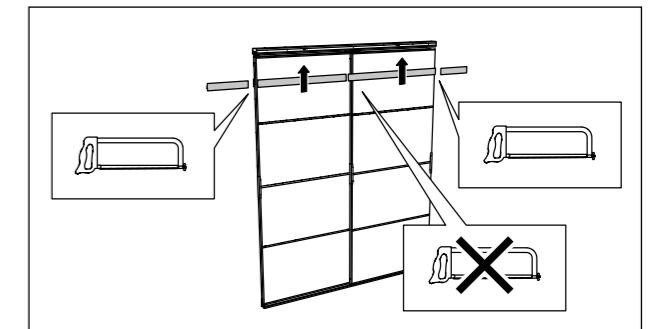
Door handle

Door handle click into the door side rail. To get it into the correct position, the cut out on the handle should match the plastic clip mounted on the backside of the middle bar. This prevents the handle from moving vertically and makes all handles match in height.



Adjust door/activate soft close

By adjusting the wheel fitting's height, you can adjust the gap between the doors and the door/wall. Release the two screws and turn the adjustment between the screws. You have +/-2 mm on each wheel. Soft closing is activated by moving the door all the way to the wall. You will hear a click and after that the soft closing should work.



Top cover

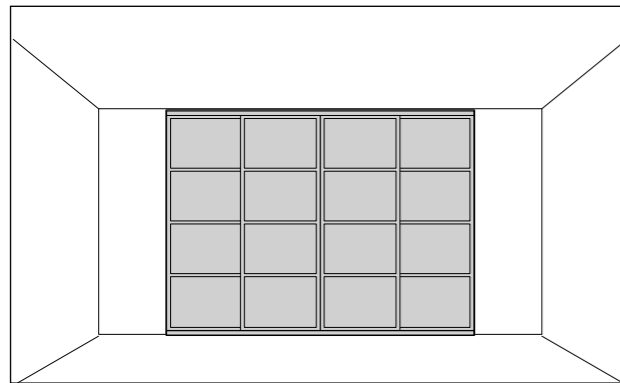
Top cover is symmetrical and clicked on the ceiling rail on both sides. If you are connecting two top rails, make sure the cut end is towards the wall.

Height options

Check the height from floor to ceiling

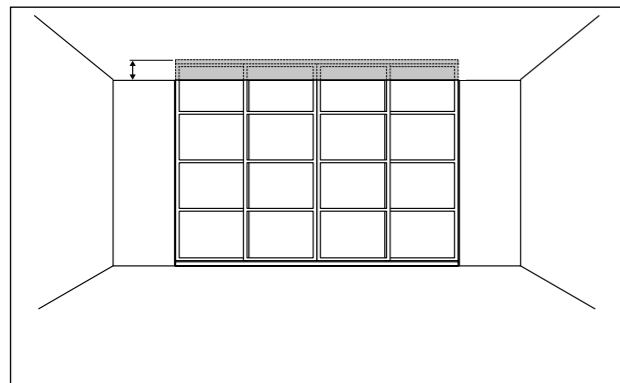
In the buying process you have decided how the system should suit your ceiling height. For this you have different opportunities.

- Two system heights with a perfect.
- Small distances above the system when you have a little space above the system.
- Ceiling height reducer when you have a lot of space above the system



No adjustments to room

If your doors fit your space perfectly, you can continue to page 11 to get some general tips to have in mind before assembly starts.

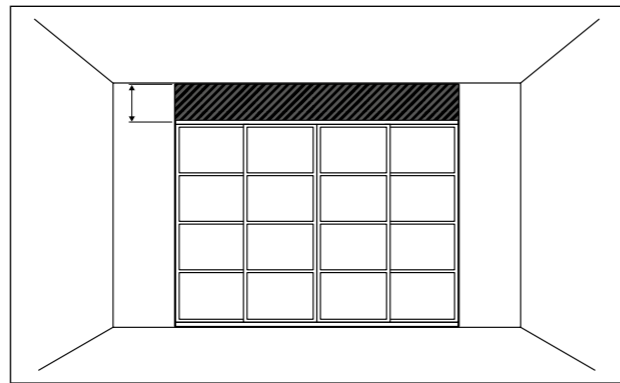


Reduce door height

If your doors are too high for your space, you can reduce their height. First see general tips on page 8-9, and then continue to page 14 and follow the Assembly Instruction.

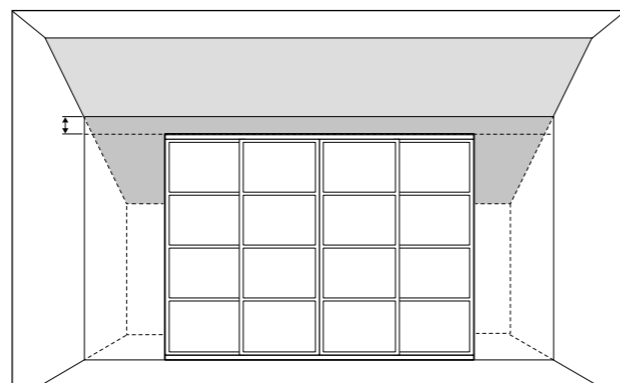
- Cut the height of the door when the ceiling is lower than the door

If this have been missed and you don't have a plan on how to get to the correct system height, you need to do this before continuing. Use the SKYTТА planning tool.



Reduce ceiling height

If your ceiling height is too high and you need to lower it, see page 8-9 for general tips, and then continue to page 12-13, and find the solution that's suitable for you and follow the Assembly Instruction.



Sloping ceiling solution

If you want to install SKYTТА sliding doors onto a sloped ceiling, you need to leave extra wall space to create a 90 degree angle with the wall. See detailed information on page 15 and follow the Assembly Instructions.

The doors fit perfectly

If the SKYTТА doors fit your space perfectly, you assemble them normally. In this illustration, you can see what the system would look like.

You will find the main Assembly Instruction in basic fitting package. This main instruction will refer to the other Assembly Instructions depending on the options you have chosen. We recommend to be two people during assembly.

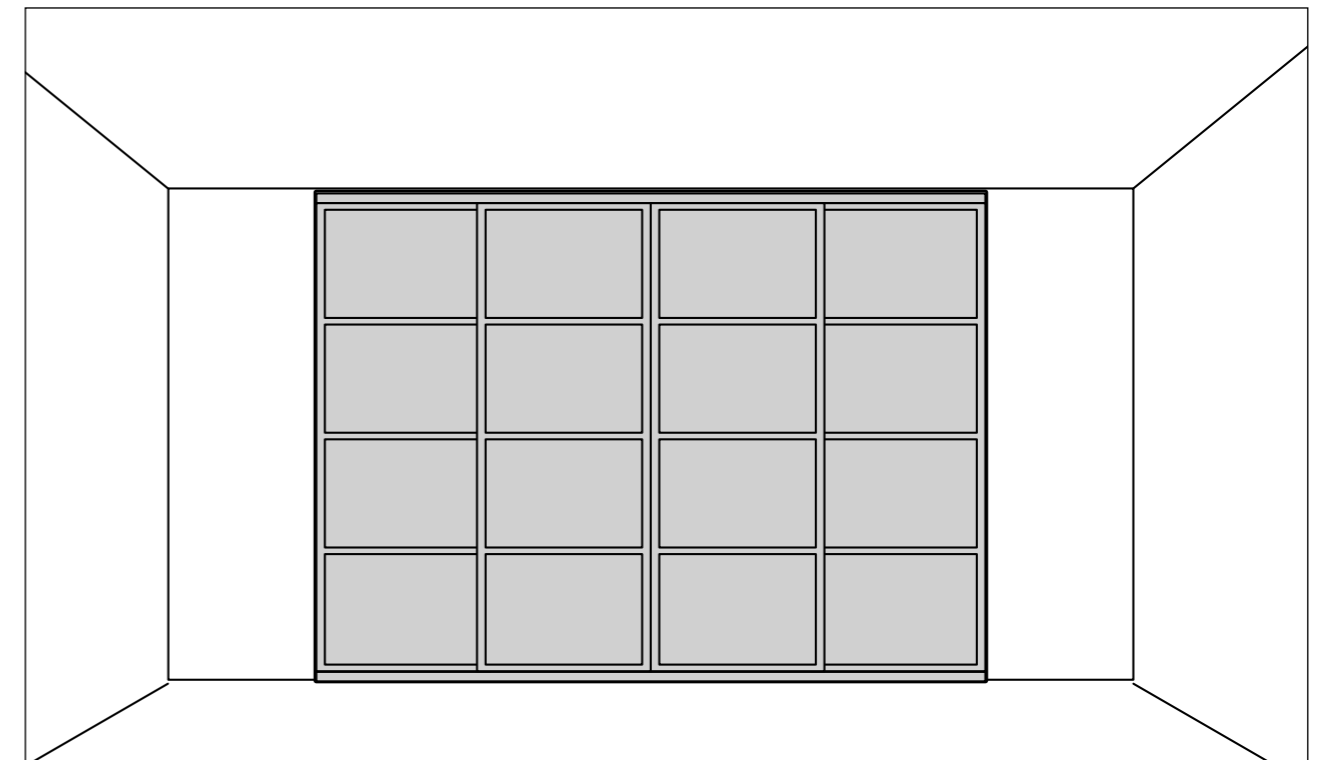
This solution is suitable when the distance between floor and ceiling is:

| | |
|--------------|--------------|
| 2039–2051 mm | 2391–2403 mm |
|--------------|--------------|

Normal assembly with doors and rails.



Detailed illustration of SKYTТА system pieces when the doors fit perfectly.



A little space left above the system – reduce ceiling height

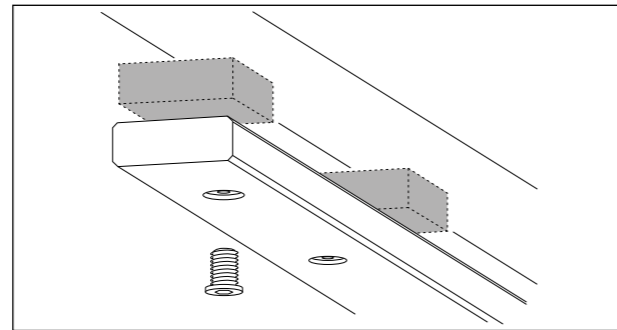
In case there is a little space left between the doors and the ceiling, you need to compensate the ceiling height with distance pieces. These distance pieces

are not sold by IKEA. In this illustration, you can see what the system would look like.

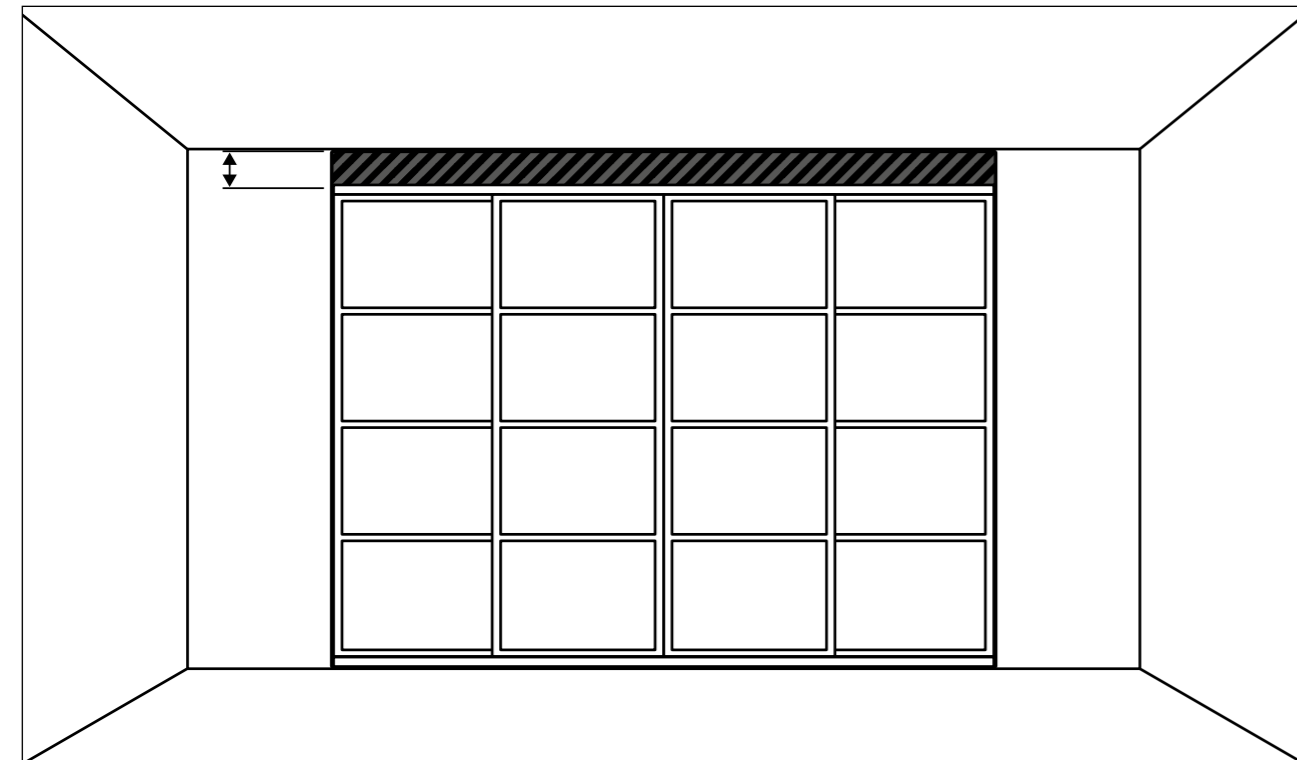
This solution is suitable when the distance between floor and ceiling is:

| | |
|-------------------------|--------------------------|
| 2052-2095 mm (low door) | 2404-2447 mm (high door) |
|-------------------------|--------------------------|

Compensate the ceiling height with distance pieces towards the ceiling. The distance pieces are not sold by IKEA.



Detailed illustration of how to compensate the ceiling height with distance pieces.



A lot of space left above the door – reduce ceiling height

In case the space left between the doors and the ceiling is bigger, you need to compensate the ceiling height with SKYTТА ceiling height reducer and cover panels.

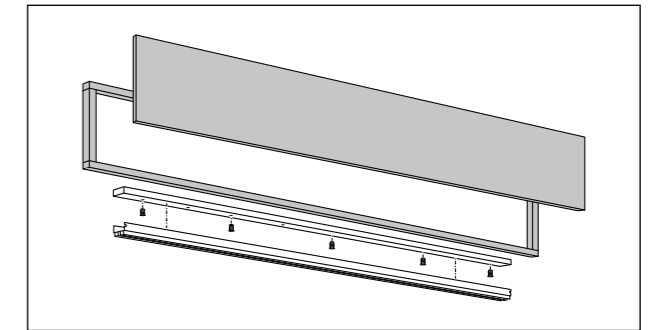
You can also ask for help from a professional car-

penther for a customised solution. In this illustration, you can see what the system would look like in this situation.

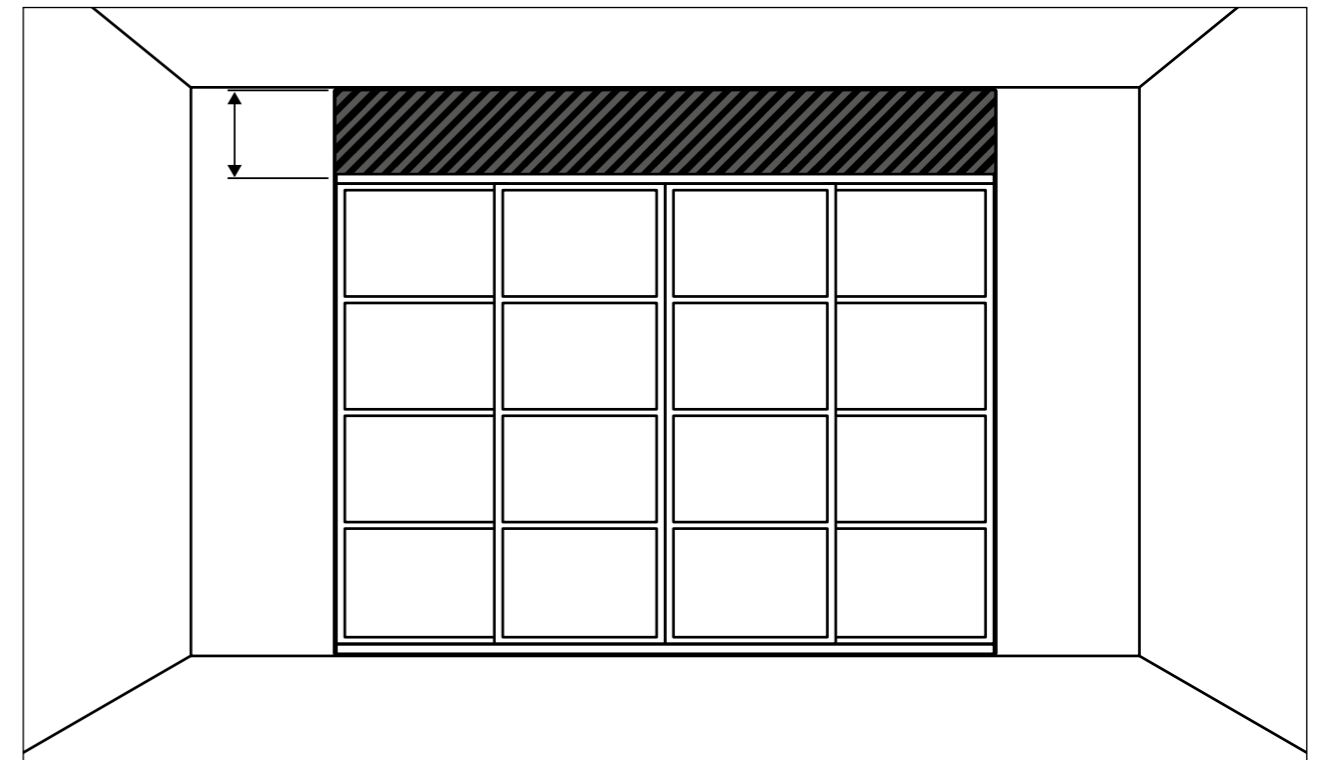
This solution is suitable when the distance between floor and ceiling is:

| | |
|--------------|--------------|
| 2075-2410 mm | 2427-2762 mm |
|--------------|--------------|

Compensate the ceiling height with SKYTТА ceiling height reducer and cover panels, or contact a carpenter for a solution.



Detailed illustration of the ceiling height reducer and its elements. You will find the Assembly Instructions in the package.



The doors are too high – reduce door height

In case the SKYTТА doors are too high, you need to cut the door frame and the panel. Please be aware that this is not possible for glass or mirror panels. Check in the planning tool regarding other panels that cannot be cut. You can still use panels that are not suitable for cutting if you combine them with panels that can be cut.

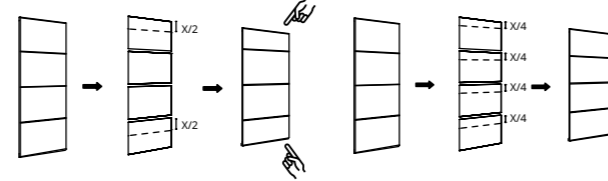
For this situation, we strongly recommend to get the help of a professional carpenter with the appropriate tools. In this illustration, you can see how the system would look like in this situation.

This solution is suitable when the distance between floor and ceiling is:

| | |
|--------------|--------------|
| 1500–2038 mm | 1500–2390 mm |
|--------------|--------------|

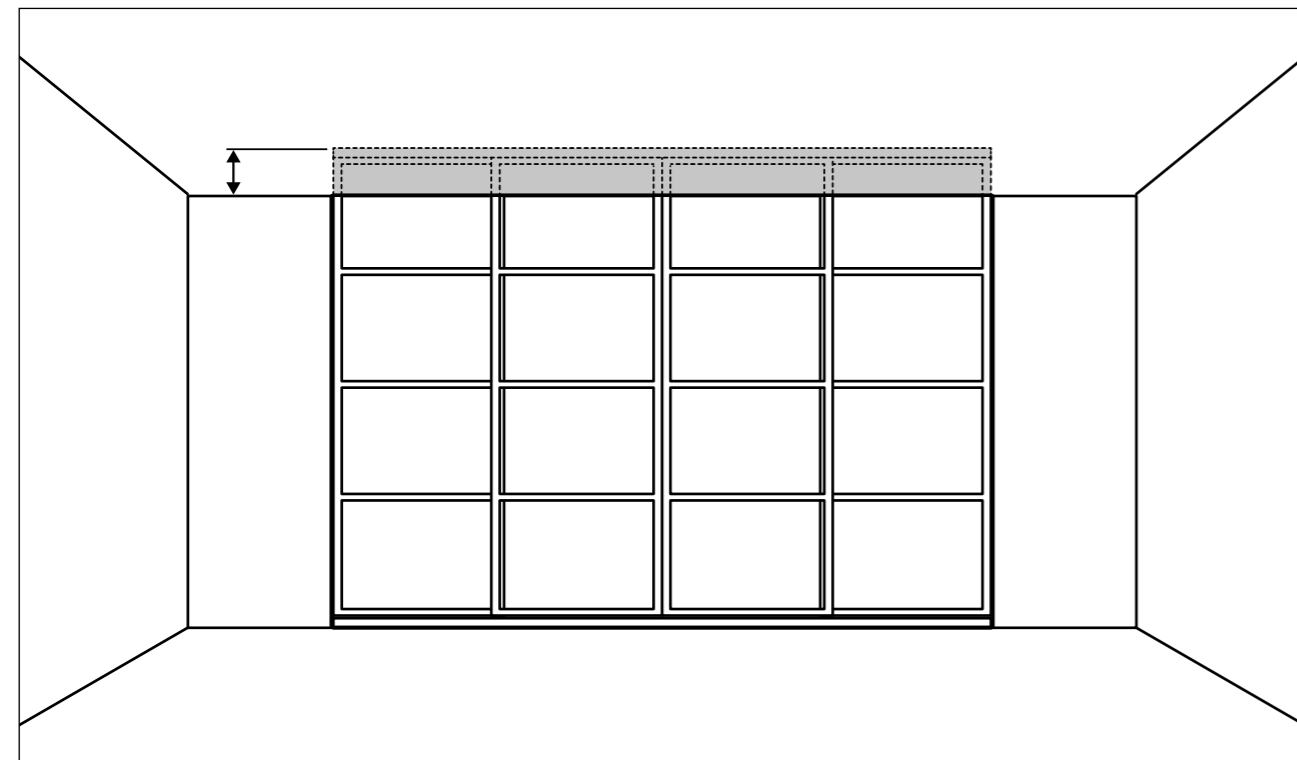
It's possible to cut the door and panels to reduce the height. This can be done using professional tools, therefore we recommend that this is done by a professional carpenter. Please note that this option is not applicable for glass or mirror glass panels, as the glass is tempered and will shatter into tiny pieces. Check in the planning tool regarding other panels that cannot be cut.

Examples of how to cut door frame and panel



This step needs to be performed by a professional carpenter with the appropriate tools.

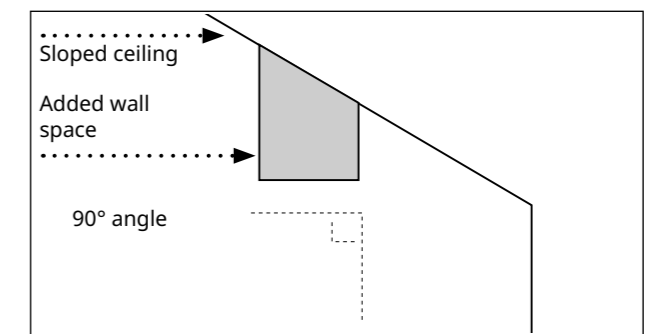
NOTE! The Assembly Instruction for this step is only available online.



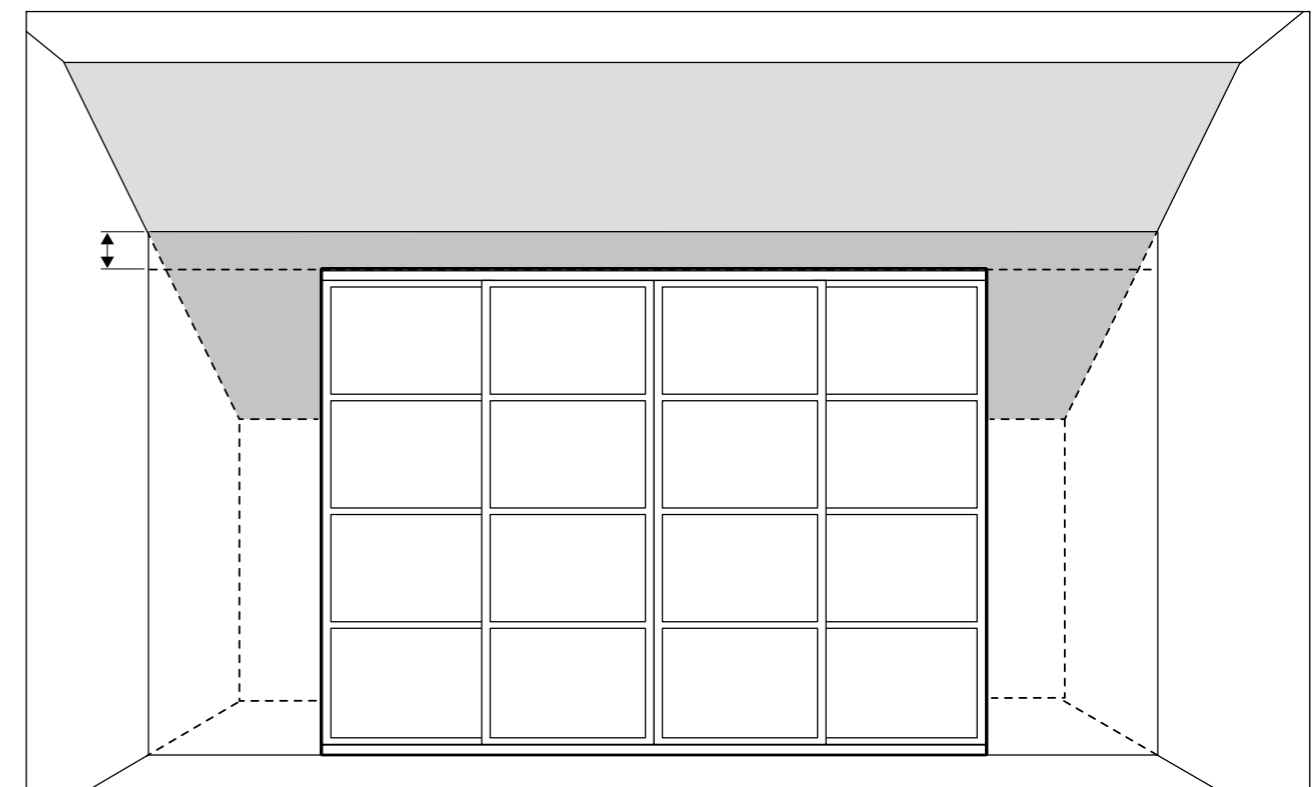
Sloped ceiling solution

SKYTТА ceiling rail must be mounted onto a flat surface which is parallel with the floor. It cannot be mounted directly onto a sloped ceiling.

If you want to install SKYTТА sliding doors onto a sloped ceiling, you need to leave extra wall space which is wider than the width of the rail, and which creates a 90 degree angle with the wall.



Detailed illustration of sloped ceiling preparation when installing a SKYTТА system.



Services

IKEA products are designed to be taken home and assembled yourself. But if you would like some help, we can offer you a range of services. Contact your local store or visit the IKEA website for details. www.IKEA.my

Home delivery

Most of our products are designed and packaged so that you can take them home yourself, but if you prefer, we can deliver your purchases directly to your home or office. Prices are based on the distance to your address from the store.

Delivery prices start from **RM75 (exclude 6% SST)**

Picking and delivery

With our fantastic new Picking and delivery service, we do all the heavy lifting for you! We'll collect the furniture on your shopping list and deliver everything to your home or office.

Picking and delivery service prices start from **RM98 (exclude 6% SST)**

Installation

Our fully co-ordinated installation service can save you valuable time, especially when it comes to the trickier jobs like assembling and fitting the sliding doors. Contact or visit your local store for details

Installation service start from **RM240**

