

<b>Article number:</b>	00218141
<b>Product name:</b>	LEDARE bulb E14 4.3W chandelier opal white
<b>Type number:</b>	LED1026C4
<b>Supplier number:</b>	22298 / 21633
<b>Information</b>	
Nominal luminous flux	200 lm
Nominal life time of the lamp	20000 h
Number of switching cycles	100000
Colour temperature	2700K
warm-up time up to 60% of the full light output	<0.2 sec
A warning if the lamp cannot be dimmed	Not dimmable
Optimal use in non-standard conditions	Not applicable
Lamp dimensions in millimeters	106 x 36
Lamp mercury content	Not applicable
Website to consult in case of accidental lamp breakage	Not applicable
Rated wattage	4,3 W
Rated luminous flux	200 lm
Rated lamp life time	20000 h
Lamp power factor	0.5
Lumen maintenance factor at the end of the nominal life	70%
Starting time	<0.2 sec
Colour rendering	85
Instructions on how to clean up lamp debris in case of accidental breakage	Not applicable
Recommendations on how to dispose of the lamp at its end of life	Not applicable

<b>Article number:</b>	10222473
<b>Product name:</b>	LEDARE bulb E27 8.1W globe clear
<b>Type number:</b>	LED1028G8
<b>Supplier number:</b>	22298
<b>Information</b>	
Nominal luminous flux	400 lm
Nominal life time of the lamp	20000 h
Number of switching cycles	100000
Colour temperature	2700K
warm-up time up to 60% of the full light output	<0.2 sec
A warning if the lamp cannot be dimmed	Not dimmable
Optimal use in non-standard conditions	Not applicable
Lamp dimensions in millimeters	119 x 59
Lamp mercury content	Not applicable
Website to consult in case of accidental lamp breakage	Not applicable
Rated wattage	8,1 W
Rated luminous flux	400 lm
Rated lamp life time	20000 h
Lamp power factor	0.5
Lumen maintenance factor at the end of the nominal life	70%
Starting time	<0.2 sec
Colour rendering	85
Instructions on how to clean up lamp debris in case of accidental breakage	Not applicable
Recommendations on how to dispose of the lamp at its end of life	Not applicable

<b>Article number:</b>	10255289	10255289
<b>Product name:</b>	LEDARE N bulb E14 4.0W chandelier opal white	LEDARE N bulb E14 4.0W chandelier opal white
<b>Type number:</b>	LED1206C4	LED1303C4
<b>Supplier number:</b>	22278 / 21633	22298
<b>Information</b>		
Nominal luminous flux	200 lm	200 lm
Nominal life time of the lamp	25000 h	25000 h
Number of switching cycles	40000	40000
Colour temperature	2700 K	2700 K
warm-up time up to 60% of the full light output	Instant full light	Instant full light
A warning if the lamp cannot be dimmed	Not dimmable	Not dimmable
Optimal use in non-standard conditions	Not applicable	Not applicable
Lamp dimensions in millimeters	100 x 36	104 x 36
Lamp mercury content	No	No
Rated wattage	4.0 W	3.5 W
Rated luminous flux	200 lm	200 lm
Rated lamp life time	25000 h	25000 h
Lamp power factor	0.5	0.5
Lumen maintenance factor at the end of the nominal life	70%	70%
Starting time	0.3 sec	0.3 sec
Colour rendering	87	85

<b>Article number:</b>	10266221
<b>Product name:</b>	LEDARE N LED bulb E27 600lm dimmable/globe opal
<b>Type number:</b>	LED1306G10 / LED1304G11 / LED1316G11
<b>Supplier number:</b>	21633 / 22237 / 12117
<b>Information</b>	
Nominal luminous flux	600 lm
Nominal life time of the lamp	25000 h
Number of switching cycles	25000
Colour temperature	2700 K
warm-up time up to 60% of the full light output	Instant full light
A warning if the lamp cannot be dimmed	Dimmable
Optimal use in non-standard conditions	Not applicable
Lamp dimensions in millimeters	120 x 60
Lamp mercury content	Not applicable
Website to consult in case of accidental lamp breakage	<a href="http://www.ikea.com">www.ikea.com</a>
Rated wattage	10.0 W - 11.0W
Rated luminous flux	600 lm
Rated lamp life time	25000 h
Lamp power factor	0.7
Lumen maintenance factor at the end of the nominal life	70%
Starting time	0.3 sec
Colour rendering	87
Instructions on how to clean up lamp debris in case of accidental breakage	<a href="http://www.ikea.com">www.ikea.com</a>
Recommendations on how to dispose of the lamp at its end of life	<a href="http://www.ikea.com">www.ikea.com</a>

<b>Article number:</b>	10266693
<b>Product name:</b>	LEDARE NN LED bulb E27 400lm globe opal
<b>Type number:</b>	LED1221G7
<b>Supplier number:</b>	21633
<b>Information</b>	
Nominal luminous flux	400 lm
Nominal life time of the lamp	25000 h
Number of switching cycles	25000
Colour temperature	2700K
warm-up time up to 60% of the full light output	Instant full light
A warning if the lamp cannot be dimmed	Not dimmable
Optimal use in non-standard conditions	Not applicable
Lamp dimensions in millimeters	109 x 60
Lamp mercury content	No
Website to consult in case of accidental lamp breakage	Not applicable
Rated wattage	6,3 W
Rated luminous flux	400 lm
Rated lamp life time	25000 h
Lamp power factor	0.7
Lumen maintenance factor at the end of the nominal life	70%
Starting time	0,3 sec
Colour rendering	87
Instructions on how to clean up lamp debris in case of accidental breakage	Not applicable
Recommendations on how to dispose of the lamp at its end of life	Not applicable

<b>Article number:</b>	20222552
<b>Product name:</b>	LEDARE LED bulb E27 600lm dimmable/globe opal whi
<b>Type number:</b>	LED1207G11
<b>Supplier number:</b>	22278/21633
<b>Information</b>	
Nominal luminous flux	600 lm
Nominal life time of the lamp	25000 h
Number of switching cycles	40000
Colour temperature	2700 K
warm-up time up to 60% of the full light output	Instant full light
A warning if the lamp cannot be dimmed	Dimmable
Optimal use in non-standard conditions	Not applicable
Lamp dimensions in millimeters	120 x 60
Lamp mercury content	Not applicable
Website to consult in case of accidental lamp breakage	<a href="http://www.ikea.com">www.ikea.com</a>
Rated wattage	10.0 W
Rated luminous flux	600 lm
Rated lamp life time	25000 h
Lamp power factor	0.7
Lumen maintenance factor at the end of the nominal life	70%
Starting time	0.3 sec
Colour rendering	87
Instructions on how to clean up lamp debris in case of accidental breakage	<a href="http://www.ikea.com">www.ikea.com</a>
Recommendations on how to dispose of the lamp at its end of life	<a href="http://www.ikea.com">www.ikea.com</a>

<b>Article number:</b>	20249226
<b>Product name:</b>	LEDARE LED bulb E27 1000lm dimmable/glob opal95
<b>Type number:</b>	LED1308G16
<b>Supplier number:</b>	21633
<b>Information</b>	
Nominal luminous flux	1000 lm
Nominal life time of the lamp	25000 h
Number of switching cycles	25000
Colour temperature	2700K
warm-up time up to 60% of the full light output	Instant full light
A warning if the lamp cannot be dimmed	Not dimmable
Optimal use in non-standard conditions	Not applicable
Lamp dimensions in millimeters	128 x 95
Lamp mercury content	No
Website to consult in case of accidental lamp breakage	Not applicable
Rated wattage	16,5 W
Rated luminous flux	1000 lm
Rated lamp life time	25000 h
Lamp power factor	0.7
Lumen maintenance factor at the end of the nominal life	70%
Starting time	0,3 sec
Colour rendering	87
Instructions on how to clean up lamp debris in case of accidental breakage	Not applicable
Recommendations on how to dispose of the lamp at its end of life	Not applicable

<b>Article number:</b>	20260351
<b>Product name:</b>	LEDARE LED bulb E14 200 lm chandelier clear
<b>Type number:</b>	LED1203C4
<b>Supplier number:</b>	22278 / 21633
<b>Information</b>	
Nominal luminous flux	200 lm
Nominal life time of the lamp	25000 h
Number of switching cycles	40000
Colour temperature	2700 K
warm-up time up to 60% of the full light output	Instant full light
A warning if the lamp cannot be dimmed	Not dimmable
Optimal use in non-standard conditions	Not applicable
Lamp dimensions in millimeters	100 x 36
Lamp mercury content	Not applicable
Website to consult in case of accidental lamp breakage	<a href="http://www.ikea.com">www.ikea.com</a>
Rated wattage	4.0 W
Rated luminous flux	200 lm
Rated lamp life time	25000 h
Lamp power factor	0.5
Lumen maintenance factor at the end of the nominal life	70%
Starting time	0.3 sec
Colour rendering	87
Instructions on how to clean up lamp debris in case of accidental breakage	<a href="http://www.ikea.com">www.ikea.com</a>
Recommendations on how to dispose of the lamp at its end of life	<a href="http://www.ikea.com">www.ikea.com</a>



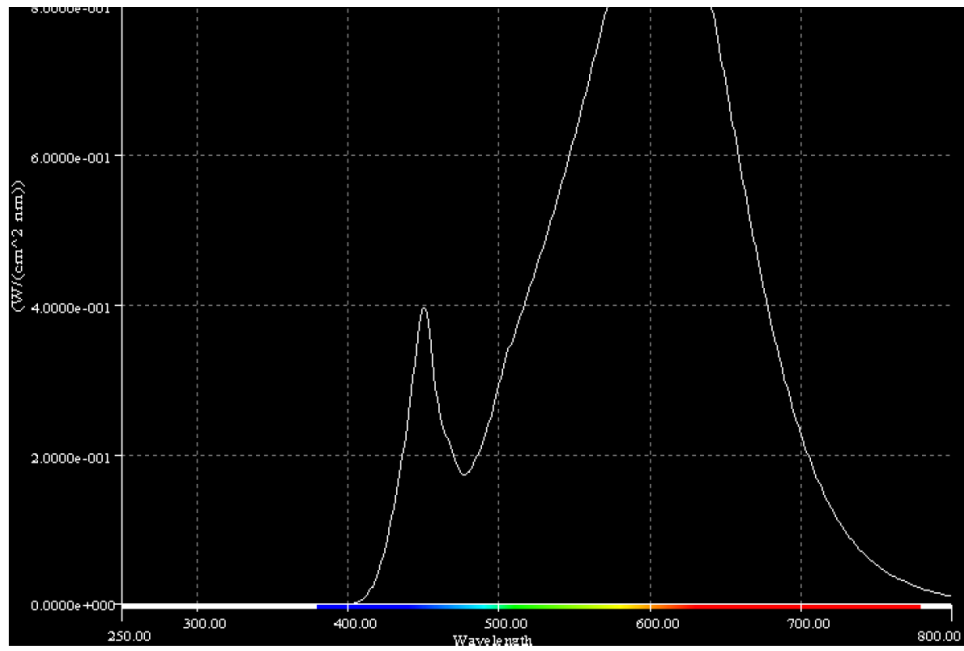
<b>Article number:</b>	30217885
<b>Product name:</b>	LEDARE N bulb E14 2.3W sign clear
<b>Type number:</b>	LED1103G2
<b>Supplier number:</b>	22278 / 21633
<b>Information</b>	
Nominal luminous flux	80 lm
Nominal life time of the lamp	20000 h
Number of switching cycles	40000
Colour temperature	2700K
warm-up time up to 60% of the full light output	Instant full light
A warning if the lamp cannot be dimmed	Not dimmable
Optimal use in non-standard conditions	Not applicable
Lamp dimensions in millimeters	58 x 27
Lamp mercury content	Not applicable
Website to consult in case of accidental lamp breakage	Not applicable
Rated wattage	2,3 W
Rated luminous flux	80 lm
Rated lamp life time	20000 h
Lamp power factor	0.55
Lumen maintenance factor at the end of the nominal life	70%
Starting time	0,3 sec
Colour rendering	80
Instructions on how to clean up lamp debris in case of accidental breakage	Not applicable
Recommendations on how to dispose of the lamp at its end of life	Not applicable

<b>Article number:</b>	30217927
<b>Product name:</b>	LEDARE N bulb E14 2.3W chandelier clear
<b>Type number:</b>	LED1104C2
<b>Supplier number:</b>	22278 / 21633
<b>Information</b>	
Nominal luminous flux	90 lm
Nominal life time of the lamp	20000 h
Number of switching cycles	40000
Colour temperature	2700K
warm-up time up to 60% of the full light output	Instant full light
A warning if the lamp cannot be dimmed	Not dimmable
Optimal use in non-standard conditions	Not applicable
Lamp dimensions in millimeters	96 x 35
Lamp mercury content	Not applicable
Website to consult in case of accidental lamp breakage	Not applicable
Rated wattage	2,3 W
Rated luminous flux	90 lm
Rated lamp life time	20000 h
Lamp power factor	0.55
Lumen maintenance factor at the end of the nominal life	70%
Starting time	0,3 sec
Colour rendering	80
Instructions on how to clean up lamp debris in case of accidental breakage	Not applicable
Recommendations on how to dispose of the lamp at its end of life	Not applicable

<b>Article number:</b>	30218187
<b>Product name:</b>	LEDARE LED bulb GU5.3 MR16 200lm
<b>Type number:</b>	LED1202R3
<b>Supplier number:</b>	21633
<b>Information</b>	
Nominal luminous flux	200 lm
Nominal life time of the lamp	25000 h
Colour temperature	2700K
Number of switching cycles	25000
warm-up time up to 60% of the full light output	Instant full light
A warning if the lamp cannot be dimmed	Not dimmable
Optimal use in non-standard conditions	Not applicable
Lamp dimensions in millimeters	47.5 x 50
Nominal beam angle	36°
Warning that the lamp is suitable for accent lighting	Not applicable
Drawing comparing lamp dimensions with equivalent filament lamp	Not applicable
Type to be displayed according to Table 6	Not applicable
Claimed equivalent lamp power of an incandescent	Not applicable
If the lamp contain mercury: Lamp mercury content	No
If the lamp contain mercury: Website to consult in case of accidental lamp breakage	Not applicable
Rated wattage	3.8 W
Rated luminous flux	200 lm
Rated lamp life time	25000 h
Lamp power factor	0.5
Lumen maintenance factor at the end of the nominal life	70%
Starting time	0.3 sec
Colour rendering	80
Colour consistency	6 steps
Rated peak intensity in candela	400
If intended for use in outdoor or industrial applications	Not applicable
Spectral power distribution in the range 180-800nm	See below
Instructions on how to clean up lamp debris in case of accidental breakage	Not applicable
Recommendations on how to dispose of the lamp at its end of life	Not applicable

Spectral Distribution



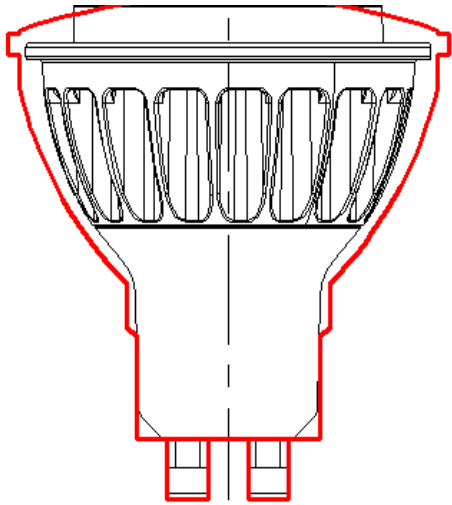


<b>Article number:</b>	30222486
<b>Product name:</b>	LEDARE bulb E27 8.1W globe opal white
<b>Type number:</b>	LED1027G8
<b>Supplier number:</b>	22298
<b>Information</b>	
Nominal luminous flux	400 lm
Nominal life time of the lamp	20000 h
Number of switching cycles	100000
Colour temperature	2700K
warm-up time up to 60% of the full light output	<0.2 sec
A warning if the lamp cannot be dimmed	Not dimmable
Optimal use in non-standard conditions	Not applicable
Lamp dimensions in millimeters	119 x 59
Lamp mercury content	Not applicable
Website to consult in case of accidental lamp breakage	Not applicable
Rated wattage	8,1 W
Rated luminous flux	400 lm
Rated lamp life time	20000 h
Lamp power factor	0.5
Lumen maintenance factor at the end of the nominal life	70%
Starting time	<0.2 sec
Colour rendering	85
Instructions on how to clean up lamp debris in case of accidental breakage	Not applicable
Recommendations on how to dispose of the lamp at its end of life	Not applicable

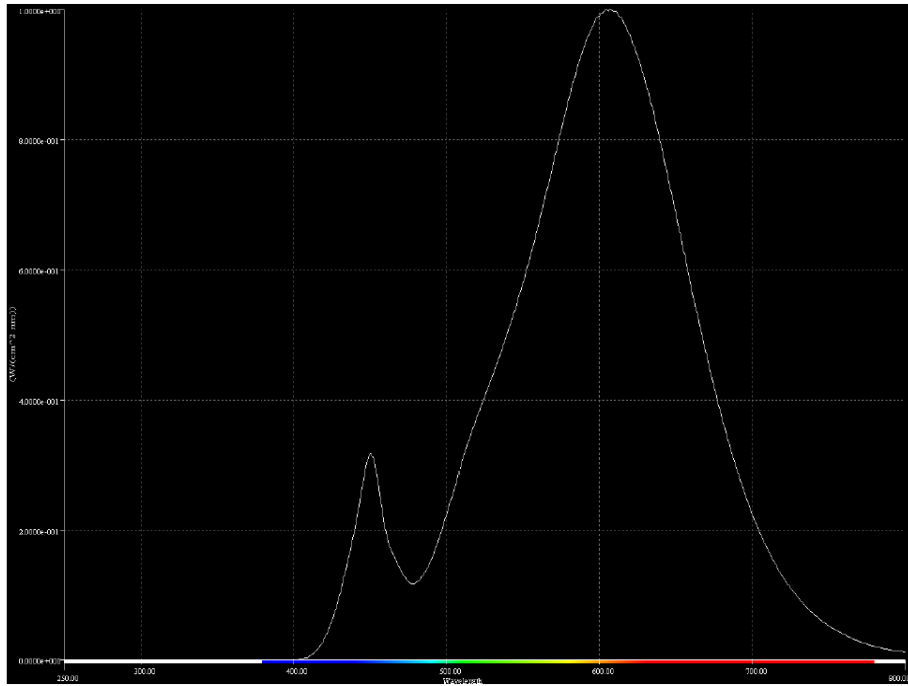
<b>Article number:</b>	30254095
<b>Product name:</b>	LEDARE LED bulb GU10 400lm dimmable
<b>Type number:</b>	LED1218R6
<b>Supplier number:</b>	21633
<b>Information</b>	
Nominal luminous flux	400 lm
Nominal life time of the lamp	25000 h
Colour temperature	2700K
Number of switching cycles	25000
warm-up time up to 60% of the full light output	Instant full light
A warning if the lamp cannot be dimmed	Dimmable
Optimal use in non-standard conditions	Not applicable
Lamp dimensions in millimeters	64 x 50
Nominal beam angle	36°
Warning that the lamp is suitable for accent lighting	Not applicable
Drawing comparing lamp dimensions with equivalent filament lamp	See below
Type to be displayed according to Table 6	Not applicable
Claimed equivalent lamp power of an incandescent	Not applicable
If the lamp contain mercury: Lamp mercury content	No
If the lamp contain mercury: Website to consult in case of accidental lamp breakage	Not applicable
Rated wattage	7.0 W
Rated luminous flux	400 lm
Rated lamp life time	25000 h
Lamp power factor	0.7
Lumen maintenance factor at the end of the nominal life	70%
Starting time	0.3 sec
Colour rendering	80
Colour consistency	6 steps
Rated peak intensity in candela	1000
If intended for use in outdoor or industrial applications	Not applicable
Spectral power distribution in the range 180-800nm	See below
Instructions on how to clean up lamp debris in case of accidental breakage	Not applicable
Recommendations on how to dispose of the lamp at its end of life	Not applicable

Drawing comparing lamp dimensions with equivalent filament lamp  
(Red outline is drawing with lamp's dimension meant to replace)





Spectral Distribution



<b>Article number:</b>	30255293
<b>Product name:</b>	LEDARE N LED bulb E27 400lm globe opal white
<b>Type number:</b>	LED1204G8
<b>Supplier number:</b>	22278 / 21633
<b>Information</b>	
Nominal luminous flux	400 lm
Nominal life time of the lamp	25000 h
Number of switching cycles	40000
Colour temperature	2700K
warm-up time up to 60% of the full light output	Instant full light
A warning if the lamp cannot be dimmed	Not dimmable
Optimal use in non-standard conditions	Not applicable
Lamp dimensions in millimeters	109 x 60
Lamp mercury content	Not applicable
Website to consult in case of accidental lamp breakage	Not applicable
Rated wattage	7,5 W
Rated luminous flux	400 lm
Rated lamp life time	25000 h
Lamp power factor	0.7
Lumen maintenance factor at the end of the nominal life	70%
Starting time	0,3 sec
Colour rendering	87
Instructions on how to clean up lamp debris in case of accidental breakage	Not applicable
Recommendations on how to dispose of the lamp at its end of life	Not applicable



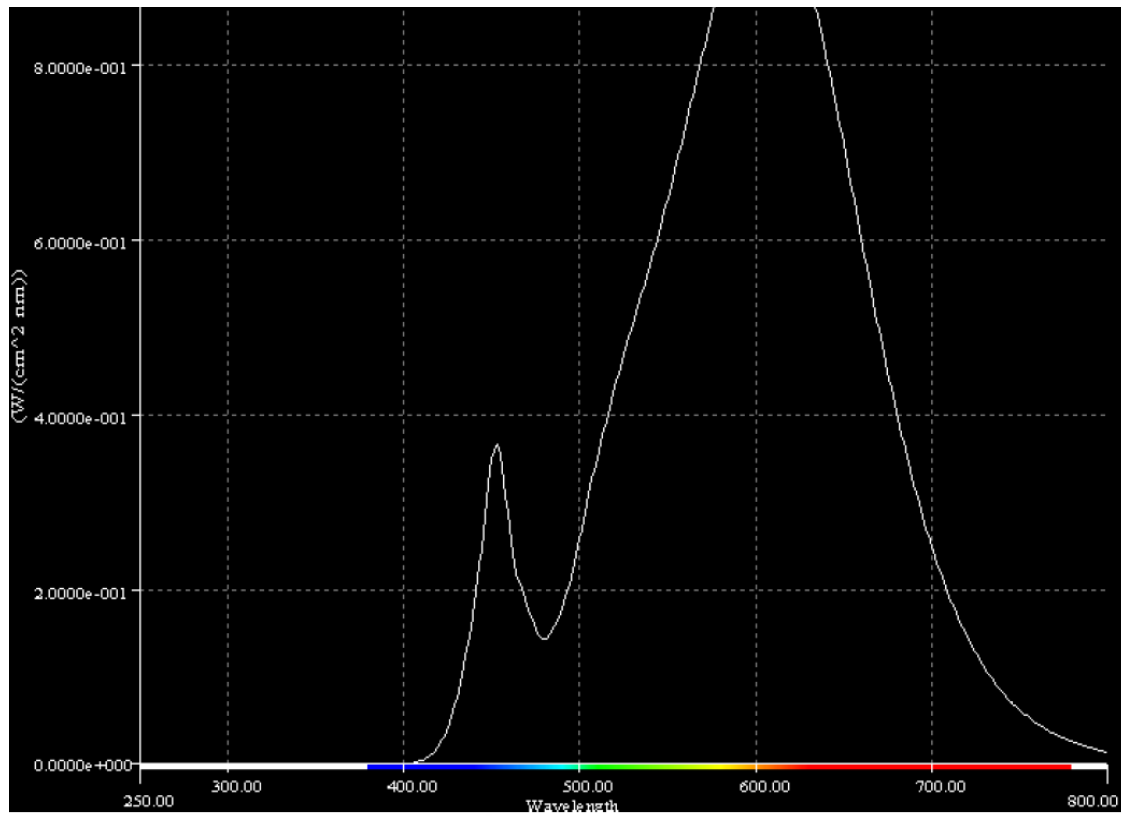
<b>Article number:</b>	30255740
<b>Product name:</b>	LEDARE LED bulb E14 400lm chandelier clear
<b>Type number:</b>	LED1217C6
<b>Supplier number:</b>	21633
<b>Information</b>	
Nominal luminous flux	400 lm
Nominal life time of the lamp	25000 h
Number of switching cycles	25000
Colour temperature	2700K
warm-up time up to 60% of the full light output	Instant full light
A warning if the lamp cannot be dimmed	Not dimmable
Optimal use in non-standard conditions	Not applicable
Lamp dimensions in millimeters	112.5 x 42
Lamp mercury content	No
Rated wattage	7 W
Rated luminous flux	400 lm
Rated lamp life time	25000 h
Lamp power factor	0.7
Lumen maintenance factor at the end of the nominal life	70%
Starting time	0.5 sec
Colour rendering	87

<b>Article number:</b>	40254090
<b>Product name:</b>	LEDARE LED bulb E14 400lm chandelier opal white
<b>Type number:</b>	LED1216C6
<b>Supplier number:</b>	21633
<b>Information</b>	
Nominal luminous flux	400 lm
Nominal life time of the lamp	25000 h
Number of switching cycles	25000
Colour temperature	2700K
warm-up time up to 60% of the full light output	Instant full light
A warning if the lamp cannot be dimmed	Not dimmable
Optimal use in non-standard conditions	Not applicable
Lamp dimensions in millimeters	112.5 x 42
Lamp mercury content	No
Rated wattage	7 W
Rated luminous flux	400 lm
Rated lamp life time	25000 h
Lamp power factor	0.7
Lumen maintenance factor at the end of the nominal life	70%
Starting time	0.5 sec
Colour rendering	87

<b>Article number:</b>	40255914
<b>Product name:</b>	LEDARE LED bulb E14 refl R50 200lm
<b>Type number:</b>	LED1211R4
<b>Supplier number:</b>	22237
<b>Information</b>	
Nominal luminous flux	200 lm
Nominal life time of the lamp	25000 h
Colour temperature	2700K
Number of switching cycles	25000
warm-up time up to 60% of the full light output	Instant full light
A warning if the lamp cannot be dimmed	Not dimmable
Optimal use in non-standard conditions	Not applicable
Lamp dimensions in millimeters	83.5 x 50
Nominal beam angle	36°
Warning that the lamp is suitable for accent lighting	Not applicable
Drawing comparing lamp dimensions with equivalent filament lamp	Not applicable
Type to be displayed according to Table 6	Not applicable
Claimed equivalent lamp power of an incandescent	Not applicable
If the lamp contain mercury: Lamp mercury content	No
If the lamp contain mercury: Website to consult in case of accidental lamp breakage	Not applicable
Rated wattage	4.0 W
Rated luminous flux	200 lm
Rated lamp life time	25000 h
Lamp power factor	0.5
Lumen maintenance factor at the end of the nominal life	70%
Starting time	0.3 sec
Colour rendering	80
Colour consistency	5 steps
Rated peak intensity in candela	400
If intended for use in outdoor or industrial applications	Not applicable
Spectral power distribution in the range 180-800nm	See below
Instructions on how to clean up lamp debris in case of accidental breakage	Not applicable
Recommendations on how to dispose of the lamp at its end of life	Not applicable

Spectral Distribution



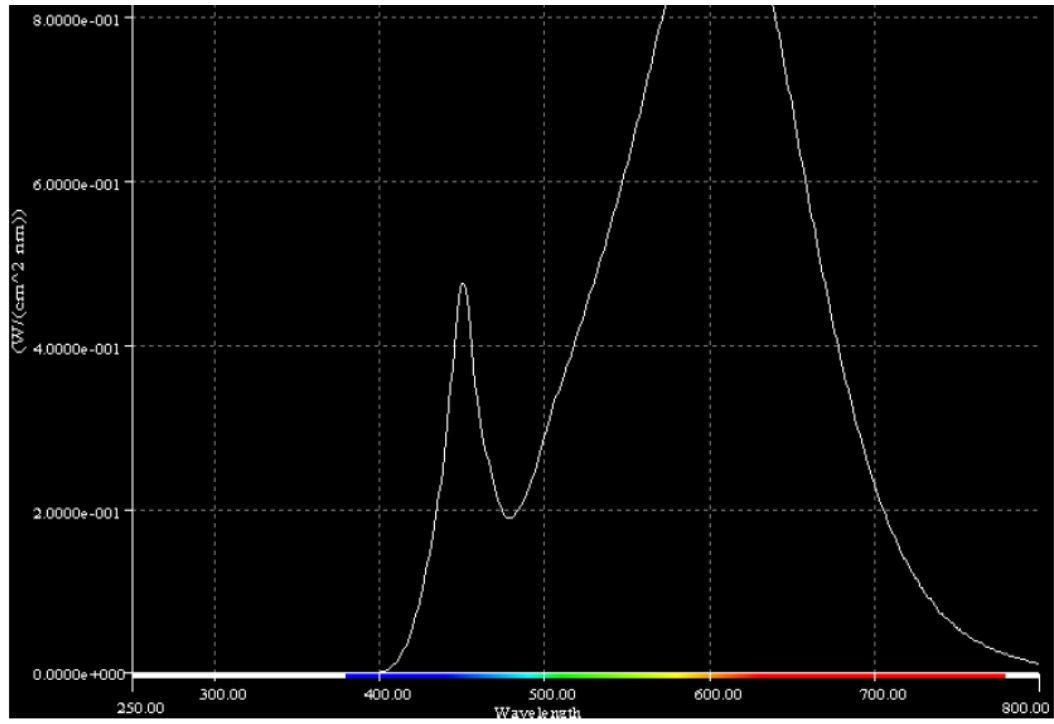


<b>Article number:</b>	50217931
<b>Product name:</b>	LEDARE N bulb E14 2.3W chandelier/twisted clear
<b>Type number:</b>	LED1105C2
<b>Supplier number:</b>	22278 / 21633
<b>Information</b>	
Nominal luminous flux	90 lm
Nominal life time of the lamp	20000 h
Number of switching cycles	40000
Colour temperature	2700K
warm-up time up to 60% of the full light output	Instant full light
A warning if the lamp cannot be dimmed	Not dimmable
Optimal use in non-standard conditions	Not applicable
Lamp dimensions in millimeters	96 x 35
Lamp mercury content	Not applicable
Website to consult in case of accidental lamp breakage	Not applicable
Rated wattage	2,3 W
Rated luminous flux	90 lm
Rated lamp life time	20000 h
Lamp power factor	0.55
Lumen maintenance factor at the end of the nominal life	70%
Starting time	0,3 sec
Colour rendering	80
Instructions on how to clean up lamp debris in case of accidental breakage	Not applicable
Recommendations on how to dispose of the lamp at its end of life	Not applicable

<b>Article number:</b>	50218186
<b>Product name:</b>	LEDARE LED bulb GU4 90lm
<b>Type number:</b>	LED1201R2
<b>Supplier number:</b>	21633
<b>Information</b>	
Nominal luminous flux	90 lm
Nominal life time of the lamp	25000 h
Colour temperature	2700K
Number of switching cycles	25000
warm-up time up to 60% of the full light output	Instant full light
A warning if the lamp cannot be dimmed	Not dimmable
Optimal use in non-standard conditions	Not applicable
Lamp dimensions in millimeters	41 x 35
Nominal beam angle	36°
Warning that the lamp is suitable for accent lighting	Not applicable
Drawing comparing lamp dimensions with equivalent filament lamp	Not applicable
Type to be displayed according to Table 6	Not applicable
Claimed equivalent lamp power of an incandescent	Not applicable
If the lamp contain mercury: Lamp mercury content	No
If the lamp contain mercury: Website to consult in case of accidental lamp brea	Not applicable
Rated wattage	2.2 W
Rated luminous flux	90 lm
Rated lamp life time	25000 h
Lamp power factor	0.5
Lumen maintenance factor at the end of the nominal life	70%
Starting time	0.3 sec
Colour rendering	80
Colour consistency	6 steps
Rated peak intensity in candela	200
If intended for use in outdoor or industrial applications	Not applicable
Spectral power distribution in the range 180-800nm	See below
Instructions on how to clean up lamp debris in case of accidental breakage	Not applicable
Recommendations on how to dispose of the lamp at its end of life	Not applicable

Spectral Distribution





<b>Article number:</b>	50219906
<b>Product name:</b>	LEDARE N bulb E14 2.3W globe clear
<b>Type number:</b>	LED1106G2
<b>Supplier number:</b>	22278 / 21633
<b>Information</b>	
Nominal luminous flux	90 lm
Nominal life time of the lamp	20000 h
Number of switching cycles	40000
Colour temperature	2700K
warm-up time up to 60% of the full light output	Instant full light
A warning if the lamp cannot be dimmed	Not dimmable
Optimal use in non-standard conditions	Not applicable
Lamp dimensions in millimeters	77 x 44
Lamp mercury content	Not applicable
Website to consult in case of accidental lamp breakage	Not applicable
Rated wattage	2,3 W
Rated luminous flux	90 lm
Rated lamp life time	20000 h
Lamp power factor	0.55
Lumen maintenance factor at the end of the nominal life	70%
Starting time	0,3 sec
Colour rendering	80
Instructions on how to clean up lamp debris in case of accidental breakage	Not applicable
Recommendations on how to dispose of the lamp at its end of life	Not applicable



<b>Article number:</b>	50255292
<b>Product name:</b>	LEDARE N LED bulb E27 400lm globe clear
<b>Type number:</b>	LED1205G8
<b>Supplier number:</b>	22278 / 21633
<b>Information</b>	
Nominal luminous flux	400 lm
Nominal life time of the lamp	25000 h
Number of switching cycles	40000
Colour temperature	2700K
warm-up time up to 60% of the full light output	Instant full light
A warning if the lamp cannot be dimmed	Not dimmable
Optimal use in non-standard conditions	Not applicable
Lamp dimensions in millimeters	109 x 60
Lamp mercury content	Not applicable
Website to consult in case of accidental lamp breakage	Not applicable
Rated wattage	7,5 W
Rated luminous flux	400 lm
Rated lamp life time	25000 h
Lamp power factor	0.7
Lumen maintenance factor at the end of the nominal life	70%
Starting time	0,3 sec
Colour rendering	87
Instructions on how to clean up lamp debris in case of accidental breakage	Not applicable
Recommendations on how to dispose of the lamp at its end of life	Not applicable

<b>Article number:</b>	70218166
<b>Product name:</b>	LEDARE bulb E27 4.3W globe opal white
<b>Type number:</b>	LED1025G4
<b>Supplier number:</b>	22298
<b>Information</b>	
Nominal luminous flux	200 lm
Nominal life time of the lamp	20000 h
Number of switching cycles	100000
Colour temperature	2700K
warm-up time up to 60% of the full light output	<0.2 sec
A warning if the lamp cannot be dimmed	Not dimmable
Optimal use in non-standard conditions	Not applicable
Lamp dimensions in millimeters	77 x 45
Lamp mercury content	Not applicable
Website to consult in case of accidental lamp breakage	Not applicable
Rated wattage	4,3 W
Rated luminous flux	200 lm
Rated lamp life time	20000 h
Lamp power factor	0.5
Lumen maintenance factor at the end of the nominal life	70%
Starting time	<0.2 sec
Colour rendering	85
Instructions on how to clean up lamp debris in case of accidental breakage	Not applicable
Recommendations on how to dispose of the lamp at its end of life	Not applicable

<b>Article number:</b>	70255291
<b>Product name:</b>	LEDARE N LED bulb E27 200lm globe opal white
<b>Type number:</b>	LED1012G5
<b>Supplier number:</b>	22278 / 21633
<b>Information</b>	
Nominal luminous flux	200 lm
Nominal life time of the lamp	25000 h
Number of switching cycles	40000
Colour temperature	2700K
warm-up time up to 60% of the full light output	Instant full light
A warning if the lamp cannot be dimmed	Not dimmable
Optimal use in non-standard conditions	Not applicable
Lamp dimensions in millimeters	74 x 45
Lamp mercury content	Not applicable
Website to consult in case of accidental lamp breakage	Not applicable
Rated wattage	3,5 W
Rated luminous flux	200 lm
Rated lamp life time	25000 h
Lamp power factor	0.5
Lumen maintenance factor at the end of the nominal life	70%
Starting time	0,3 sec
Colour rendering	87
Instructions on how to clean up lamp debris in case of accidental breakage	Not applicable
Recommendations on how to dispose of the lamp at its end of life	Not applicable

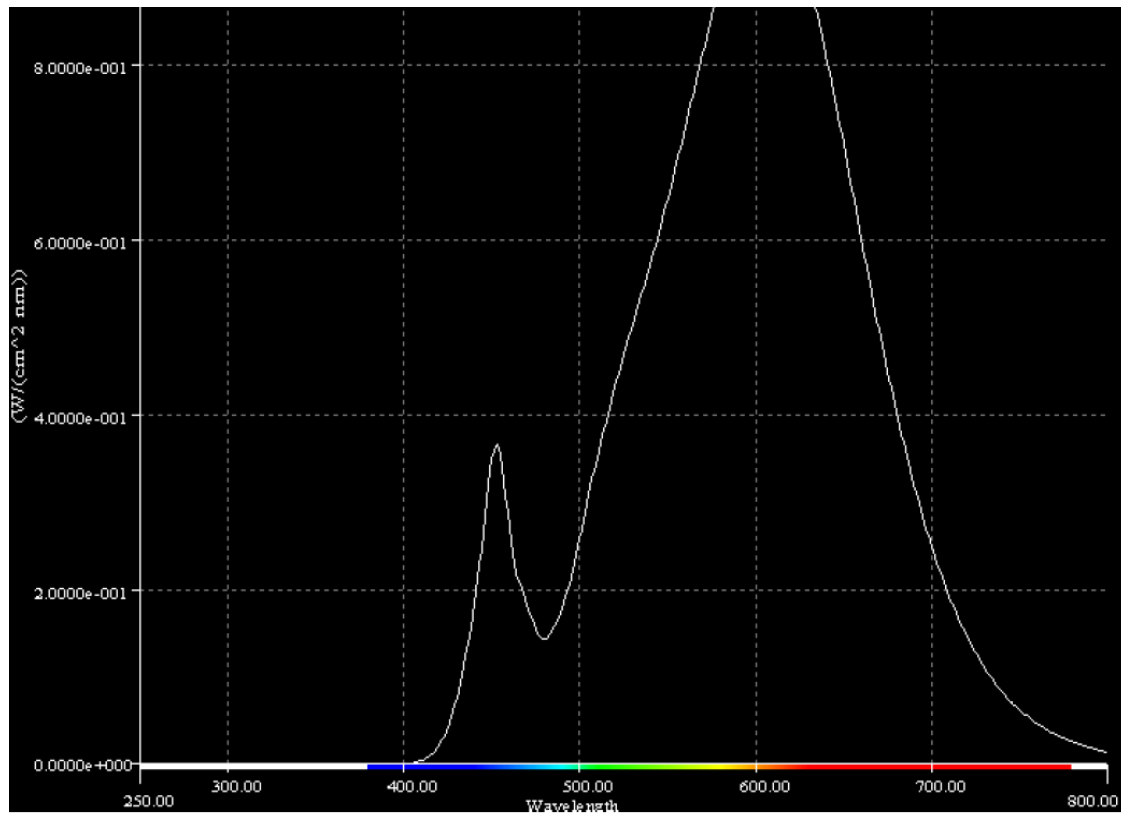
<b>Article number:</b>	80172200
<b>Product name:</b>	LEDARE bulb E14 4.3W globe opal white
<b>Type number:</b>	LED1025G4
<b>Supplier number:</b>	22298
<b>Information</b>	
Nominal luminous flux	200 lm
Nominal life time of the lamp	20000 h
Number of switching cycles	100000
Colour temperature	2700K
warm-up time up to 60% of the full light output	<0.2 sec
A warning if the lamp cannot be dimmed	Not dimmable
Optimal use in non-standard conditions	Not applicable
Lamp dimensions in millimeters	80 x 45
Lamp mercury content	Not applicable
Website to consult in case of accidental lamp breakage	Not applicable
Rated wattage	4,3 W
Rated luminous flux	200 lm
Rated lamp life time	20000 h
Lamp power factor	0.5
Lumen maintenance factor at the end of the nominal life	70%
Starting time	<0.2 sec
Colour rendering	85
Instructions on how to clean up lamp debris in case of accidental breakage	Not applicable
Recommendations on how to dispose of the lamp at its end of life	Not applicable

<b>Article number:</b>	80248993
<b>Product name:</b>	LEDARE LED bulb E14 400lm globe opal white
<b>Type number:</b>	LED1221G7
<b>Supplier number:</b>	21633
<b>Information</b>	
Nominal luminous flux	400 lm
Nominal life time of the lamp	25000 h
Number of switching cycles	25000
Colour temperature	2700K
warm-up time up to 60% of the full light output	Instant full light
A warning if the lamp cannot be dimmed	Not dimmable
Optimal use in non-standard conditions	Not applicable
Lamp dimensions in millimeters	109 x 60
Lamp mercury content	No
Website to consult in case of accidental lamp breakage	Not applicable
Rated wattage	6,3 W
Rated luminous flux	400 lm
Rated lamp life time	25000 h
Lamp power factor	0.7
Lumen maintenance factor at the end of the nominal life	70%
Starting time	0,3 sec
Colour rendering	87
Instructions on how to clean up lamp debris in case of accidental breakage	Not applicable
Recommendations on how to dispose of the lamp at its end of life	Not applicable

<b>Article number:</b>	80255907
<b>Product name:</b>	LEDARE LED bulb GU10 200lm
<b>Type number:</b>	LED1210R4
<b>Supplier number:</b>	22237
<b>Information</b>	
Nominal luminous flux	200 lm
Nominal life time of the lamp	25000 h
Colour temperature	2700K
Number of switching cycles	25000
warm-up time up to 60% of the full light output	Instant full light
A warning if the lamp cannot be dimmed	Not dimmable
Optimal use in non-standard conditions	Not applicable
Lamp dimensions in millimeters	54 x 50
Nominal beam angle	36°
Warning that the lamp is suitable for accent lighting	Not applicable
Drawing comparing lamp dimensions with equivalent filament lamp	Not applicable
Type to be displayed according to Table 6	Not applicable
Claimed equivalent lamp power of an incandescent	Not applicable
If the lamp contain mercury: Lamp mercury content	No
If the lamp contain mercury: Website to consult in case of accidental lamp breakage	Not applicable
Rated wattage	4.0 W
Rated luminous flux	200 lm
Rated lamp life time	25000 h
Lamp power factor	0.5
Lumen maintenance factor at the end of the nominal life	70%
Starting time	0.3 sec
Colour rendering	80
Colour consistency	5 steps
Rated peak intensity in candela	400
If intended for use in outdoor or industrial applications	Not applicable
Spectral power distribution in the range 180-800nm	See below
Instructions on how to clean up lamp debris in case of accidental breakage	Not applicable
Recommendations on how to dispose of the lamp at its end of life	Not applicable

Spectral Distribution





<b>Article number:</b>	90255290
<b>Product name:</b>	LEDARE N LED bulb E14 200lm globe opal white
<b>Type number:</b>	LED1012G5
<b>Supplier number:</b>	22278 / 21633
<b>Information</b>	
Nominal luminous flux	200 lm
Nominal life time of the lamp	25000 h
Number of switching cycles	40000
Colour temperature	2700K
warm-up time up to 60% of the full light output	Instant full light
A warning if the lamp cannot be dimmed	Not dimmable
Optimal use in non-standard conditions	Not applicable
Lamp dimensions in millimeters	79 x 45
Lamp mercury content	Not applicable
Website to consult in case of accidental lamp breakage	Not applicable
Rated wattage	3,5 W
Rated luminous flux	200 lm
Rated lamp life time	25000 h
Lamp power factor	0.5
Lumen maintenance factor at the end of the nominal life	70%
Starting time	0,3 sec
Colour rendering	87
Instructions on how to clean up lamp debris in case of accidental breakage	Not applicable
Recommendations on how to dispose of the lamp at its end of life	Not applicable