

TILLREDA

GB

KR



Design and Quality
IKEA of Sweden

ENGLISH
한국어

3
16

ENGLISH

1. SAFETY INFORMATION	5
2. PRODUCT DESCRIPTION	10
3. CONTROL PANEL	11
4. TROUBLE SHOOTING	12
5. SPECIFICATIONS	12
6. INSTALLATION AND CONNECTION	13
7. ENVIRONMENTAL CONCERNS	13
8. IKEA GUARANTEE	14

ENGLISH

Read these instructions carefully before using your microwave oven, and keep it carefully.

If you follow the instructions, your oven will provide you with many years of good service.

**SAVE THESE
INSTRUCTIONS
CAREFULLY**

1. SAFETY INFORMATION



PRECAUTIONS TO AVOID POSSIBLE EXPOSURE TO EXCESSIVE MICROWAVE ENERGY

- a) Do not attempt to operate this oven with the door open since this can result in harmful exposure to microwave energy. It is important not to break or tamper with the safety interlocks.
- b) Do not place any object between the oven front face and the door or allow soil or cleaner residue to accumulate on sealing surfaces.
- c) **WARNING:** If the door or door seals are damaged, the oven must not be operated until it has been repaired by a competent person.

ADDENDUM

If the apparatus is not maintained in a good state of cleanliness, its surface could be degraded and affect the lifespan of the apparatus and lead to a dangerous situation.

IMPORTANT SAFETY INSTRUCTIONS WARNING

To reduce the risk of fire, electric shock, injury to persons or exposure to excessive microwave oven energy when using your appliance, follow basic precautions, including the following:

1. Read and follow the specific: **“PRECAUTIONS TO AVOID POSSIBLE EXPOSURE TO EXCESSIVE MICROWAVE ENERGY”**.
2. This device can be used by children of at least 8 years old and by people with reduced physical, sensory or mental capacities or lacking experience or knowledge, if they are properly supervised or if they were given instructions relating to the safe use of the device and if the risks involved have been understood. Children must not play with the device. Cleaning and maintenance by the user must not be carried out by unsupervised children.
3. Keep the appliance and its cord out of reach of children less than 8 years.

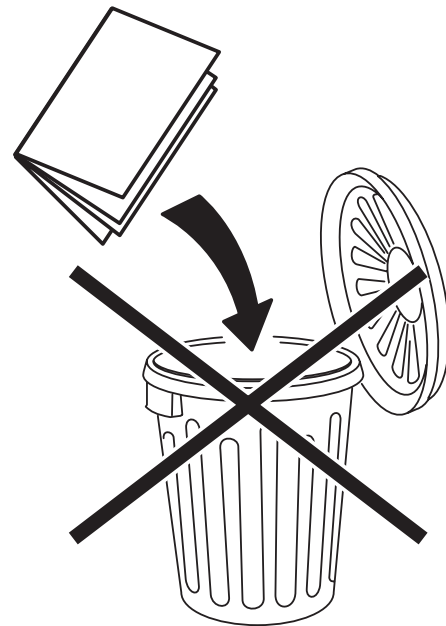
ENGLISH

4. If the supply cord is damaged, it must be replaced by the manufacturer, its service agent or similarly qualified persons in order to avoid a hazard.
5. **WARNING:** It is hazardous for anyone other than a competent person to carry out any service or repair operation that involves the removal of a cover which gives protection against exposure to microwave energy.
6. Heating beverages by microwaves can cause a sudden, delayed burst of boiling liquid.
7. When heating food in plastic or paper containers, keep an eye on the oven due to the possibility of ignition.
8. Only use utensils that are suitable for use in microwave ovens.
9. If smoke is emitted, switch off or unplug the appliance and keep the door closed in order to stifle any flames.
10. Microwave heating of beverages can result in delayed eruptive boiling, therefore care must be taken when handling the container.
11. The contents of feeding bottles and baby food jars shall be stirred or shaken and the temperature checked before consumption, in order to avoid burns.
12. Eggs in their shell and whole hard-boiled eggs should not be heated in microwave ovens since they may explode, even after microwave heating has ended.
13. The oven should be cleaned regularly and any food deposits removed.
14. Failure to maintain the oven in a clean condition could lead to deterioration of the surface that could adversely affect the life of the appliance and possibly result in a hazardous situation.
15. The appliance must not be installed behind a decorative door in order to avoid overheating.
16. The microwave oven must be operated with any cabinet door open.
17. This appliance is intended to be used in household and similar applications such as:

ENGLISH

- staff kitchen areas in shops, offices and other working environments;
 - by clients in hotels, motels and other residential type environments;
 - farm houses;
 - bed and breakfast type environments.
18. The microwave oven is intended for heating food and beverages. Drying of food or clothing and heating of warming pads, slippers, sponges, damp cloth and similar may lead to risk of injury, ignition or fire.
19. Metallic containers for food and beverages are not allowed during microwave cooking.
20. The appliance shall not be cleaned with a steam cleaner.
21. The appliance is intended to be used freestanding or in a cabinet.
22. The rear surface of appliances shall be placed against a wall.
23. This appliance is for household and indoor use only. Don't use it outdoors!
24. To protect against electric shock, do not immerse main parts of the product, cord or plug in water or other liquids.
25. **WARNING:** Liquids and other foods must not be heated in sealed containers since they are liable to explode.

READ CAREFULLY AND KEEP FOR FUTURE REFERENCE.



ENGLISH

TO REDUCE THE RISK OF INJURY TO PERSONS GROUNDING INSTALLATION

DANGER

Electric Shock Hazard

Touching some of the internal components can cause serious personal injury or death. Do not disassemble this appliance.

WARNING

Electric Shock Hazard

Improper use of the grounding can result in electric shock. Do not plug into an outlet until appliance is properly installed and grounded.

This appliance must be grounded. In the event of an electrical short circuit, grounding reduces the risk of electric shock by providing an escape wire for the electric current. This appliance is equipped with a cord having a grounding wire with a grounding plug. The plug must be plugged into an outlet that is properly installed and grounded.

Consult a qualified electrician or serviceman if the grounding instructions are not completely understood or if doubt exists as to whether the appliance is properly grounded. If it is necessary to use an extension cord, use only a 3-wire extension cord.

1. A short power-supply cord is provided to reduce the risks resulting from becoming entangled in or tripping over a longer cord.
2. If a long cord set or extension cord is used:
 - a) The marked electrical rating of the cord set or extension cord should be at least as great as the electrical rating of the appliance.
 - b) The extension cord must be a grounding-type 3-wire cord.
 - c) The long cord should be arranged so that it will not drape over the counter top or tabletop where it can be pulled on by children or tripped over unintentionally.

CLEANING

Be sure to unplug the appliance from the power supply.

1. Clean the cavity of the oven after using with a slightly damp cloth.
2. Clean the accessories in the usual way in soapy water.
3. The door frame and seal and

neighbouring parts must be cleaned carefully with a damp cloth when they are dirty.

4. Do not use harsh abrasive cleaners or sharp metal scrapers to clean the oven door glass since they can scratch the surface, which may result in shattering of the glass.
5. *Cleaning Tip* ★ For easier cleaning of the cavity walls that the food cooked can touch: Place half a lemon in a bowl, add 300ml (1/2 pint) water and heat on 100% microwave power for 10 minutes. Wipe the oven clean using a soft, dry cloth.

UTENSILS

CAUTION

Personal Injury Hazard

It is hazardous for anyone other than a competent person to carry out any service or repair operation that involves the removal of a cover which gives protection against exposure to microwave energy.

See the instructions on **"MATERIALS YOU CAN USE IN MICROWAVE OVEN OR TO BE AVOIDED IN MICROWAVE OVEN."**

There may be certain non-metallic utensils that are not safe to use for microwaving. If in doubt, you can test the utensil in question following the procedure below.

Utensil Test:

1. Fill a microwave-safe container with 1 cup of cold water (250ml) along with the utensil in question.
2. Cook on maximum power for 1 minute.
3. Carefully feel the utensil. If the empty utensil is warm, do not use it for microwave cooking.
4. Do not exceed 1 minute cooking time.

ENGLISH

MATERIALS YOU CAN USE IN MICROWAVE OVEN

Utensils	Remarks
Browning dish	Follow manufacturer's instructions. The bottom of browning dish must be at least 3/16 inch (5mm) above the turntable. Incorrect usage may cause the turntable to break.
Dinnerware	Microwave-safe only. Follow manufacturer's instructions. Do not use cracked or chipped dishes.
Glass jars	Always remove lid. Use only to heat food until just warm. Most glass jars are not heat resistant and may break.
Glassware	Heat-resistant oven glassware only. Make sure there is no metallic trim. Do not use cracked or chipped dishes.
Oven cooking bags	Follow manufacturer's instructions. Do not close with metal tie. Make slits to allow steam to escape.
Paper plates and cups	Use for short-term cooking/warming only. Do not leave oven unattended while cooking.
Paper towels	Use to cover food for reheating and absorbing fat. Use with supervision for a short-term cooking only.
Parchment paper	Use as a cover to prevent splattering or a wrap for steaming.
Plastic	Microwave-safe only. Follow the manufacturer's instructions. Should be labeled "Microwave Safe". Some plastic containers soften, as the food inside gets hot. "Boiling bags" and tightly closed plastic bags should be slit, pierced or vented as directed by package.
Plastic wrap	Microwave-safe only. Use to cover food during cooking to retain moisture. Do not allow plastic wrap to touch food.
Thermometers	Microwave-safe only (meat and candy thermometers).
Wax paper	Use as a cover to prevent splattering and retain moisture.

MATERIALS TO BE AVOIDED IN MICROWAVE OVEN

Utensils	Remarks
Aluminum tray	May cause arcing. Transfer food into microwave-safe dish.
Food carton with metal handle	May cause arcing. Transfer food into microwave-safe dish.
Metal or metal-trimmed utensils	Metal shields the food from microwave energy. Metal trim may cause arcing.
Metal twist ties	May cause arcing and could cause a fire in the oven.
Paper bags	May cause a fire in the oven.
Plastic foam	Plastic foam may melt or contaminate the liquid inside when exposed to high temperature.
Wood	Wood will dry out when used in the microwave oven and may split or crack.

ENGLISH

2. PRODUCT DESCRIPTION

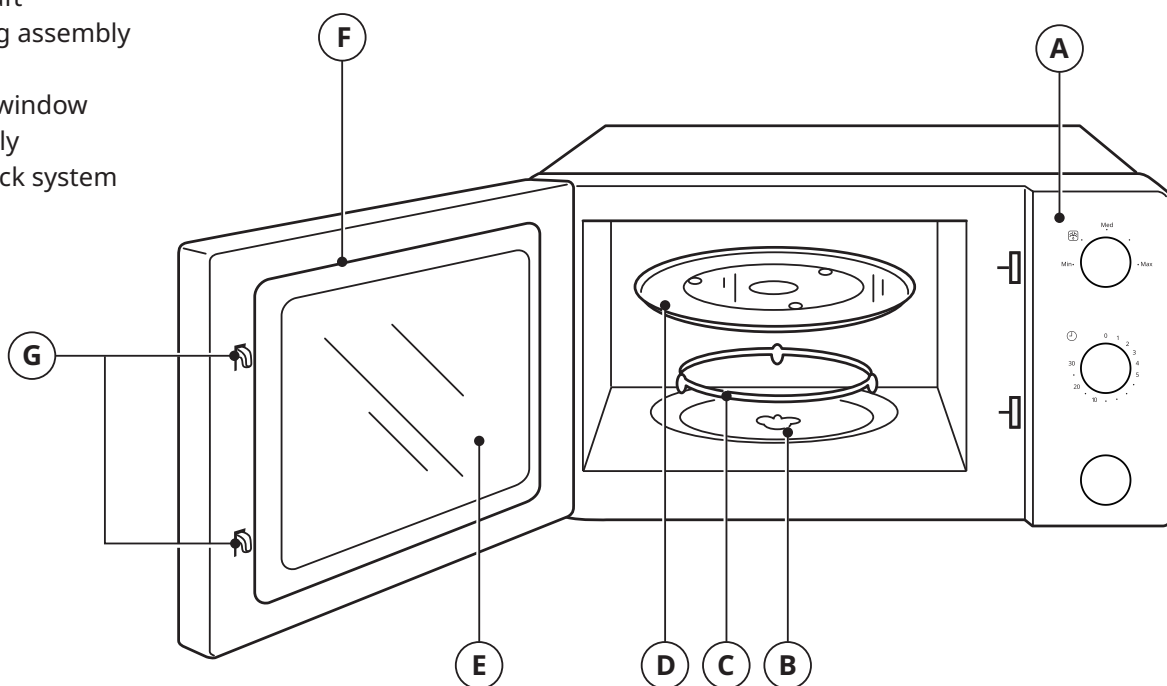
SETTING UP YOUR OVEN

Name of Oven Parts and Accessories

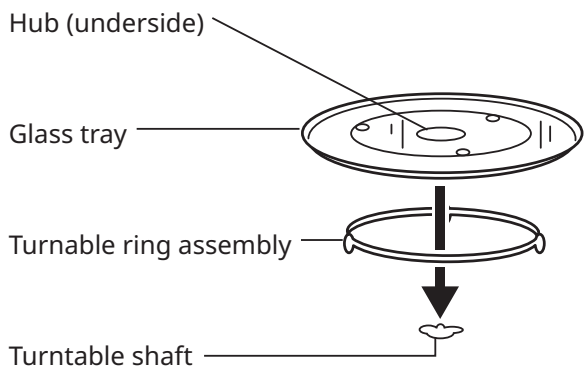
Remove the oven and all materials from the carton and oven cavity. Your oven comes with the following accessories:

Glass tray	1x
Turntable ring assembly	1x
Instruction Manual	1x

- A. Control panel
- B. Turntable shaft
- C. Turntable ring assembly
- D. Glass tray
- E. Observation window
- F. Door assembly
- G. Safety interlock system



Turntable Installation

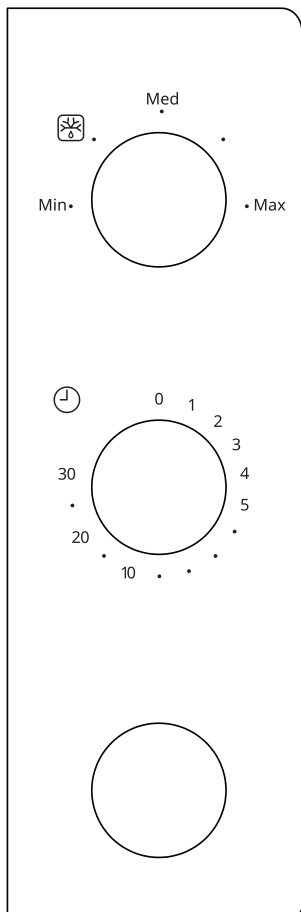


- a) Never place the glass tray upside down. The glass tray should never be restricted.
- b) Both glass tray and turntable ring assembly must always be used during cooking.
- c) All food and containers of food are always placed on the glass tray for cooking.
- d) If glass tray or turntable ring assembly cracks or breaks, contact your nearest authorized service center.


ENGLISH

3. CONTROL PANEL

Control Panel and Features Operation Instructions



1. To set cooking power by turning the power knob to desired level.
2. To set the time of cooking by turning the timer knob to desired time per your food cooking guide.
3. The microwave oven will automatically start cooking after power level and time are set.
4. After the cooking time is up, the unit will "Dong" to stop.
5. If the unit is not in use, always set time to "0".

Function/Power	Watts	Application
Min	115 W	Soften ice cream
	230 W	Soup stew, soften butter or defrost
Med	390 W	Stew, fish
.	540 W	Rice, fish, chicken, ground meat
Max	700 W	Reheat, milk, boil water, vegetables, beverage

Notice:

When removing food from the oven, please ensure that the oven power is switched off by turning the timer switch to 0 (zero).

Failure to do so, and operating the microwave oven without food in it, can result in overheating and damage to the magnetron.

ENGLISH

4. TROUBLE SHOOTING

Normal	
Microwave oven interfering TV reception	Radio and TV reception may be interfered when microwave oven operating. It is similar to the interference of small electrical appliances, like mixer, vacuum cleaner, electric fan. It is normal.
Dim oven light	In low power microwave cooking, oven light may become dim. It is normal.
Steam accumulating on door, hot air out of vents.	In cooking, steam may come out of food. Most will get out from vents, but some may accumulate on cool place like oven door. It is normal.
Oven started accidentally with no food in.	<i>It is forbidden to run the unit without any food inside. It is very dangerous.</i>

Trouble	Possible cause	Remedy
Oven can not be started.	(1) Power cord not plugged tightly.	Unplug. Then unplug again after 10 seconds.
	(2) Fuse blowing or circuit breaker works.	Replace fuse or reset circuit breaker (repaired by professional personnel of our company)
	(3) Trouble with outlet.	Test outlet with other electrical appliances.
Oven does not heat	(4) Door not closed well.	Close door well.

5. SPECIFICATIONS

Model:	TILLREDA 004.934.17
Rated Voltage:	220V~ 60Hz
Rated Input Power(Microwave):	1050W
Rated Output Power(Microwave):	700 W
Oven Capacity:	20 L
Turntable Diameter:	255 mm
External Dimensions:	439.5x340.0x258.2mm
Net Weight:	Approx. 10.39 kg

6. INSTALLATION AND CONNECTION

Countertop Installation

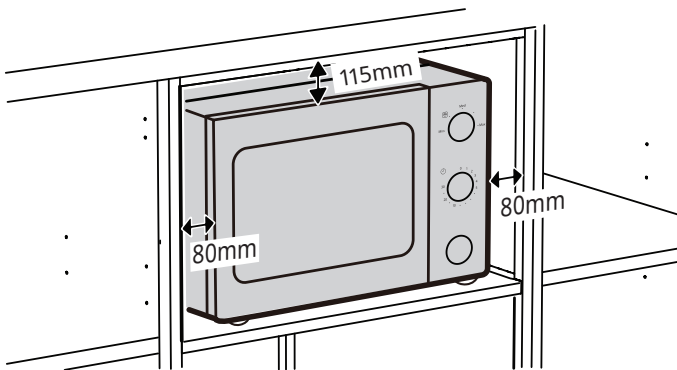
Remove all packing material and accessories. Examine the oven for any damage such as dents or broken door. Do not install if oven is damaged.

Cabinet: Remove any protective film found on the microwave oven cabinet surface.

Do not remove the white plastic cover that is attached to the oven cavity to protect the magnetron.

Installation

1. Select a level surface that provide enough open space for the intake and/or outlet vents.



- (1) The rear surface of appliance shall be placed against a wall. Leave a minimum clearance of 11.5 cm above the oven, a minimum clearance of 8 cm is required between the oven and any adjacent walls.
- (2) Do not remove the legs from the bottom of the oven.

- (3) Blocking the intake and/or outlet openings can damage the oven.
- (4) Place the oven as far away from radios and TV as possible. Operation of microwave oven may cause interference to your radio or TV reception.

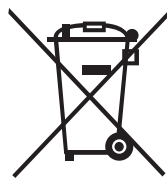
2. Plug your oven into a standard household outlet. Be sure the voltage and the frequency is the same as the voltage and the frequency on the rating label.

WARNING: Do not install oven over a range cooktop or other heat-producing appliance. If installed near or over a heat source, the oven could be damaged and the warranty would be void.



The accessible surface may be hot during operation.

7. ENVIRONMENTAL CONCERNS



According to Waste of Electrical and Electronic Equipment (WEEE) directive, WEEE should be separately collected and treated. If at any time in future you need to dispose of this product please do NOT dispose of this product with household waste. Please send this product to WEEE collecting points where available.

8. IKEA GUARANTEE

How long is the IKEA guarantee valid?

This guarantee is valid for two (2) years from the original date of purchase of your appliance at IKEA. The original sales receipt, is required as proof of purchase. If service work is carried out under guarantee, this will not extend the guarantee period for the appliance.

Who will execute the service?

Contact nearest IKEA store.

What does this guarantee cover?

The guarantee covers faults of the appliance, which have been caused by faulty construction or material faults from the date of purchase from IKEA. This guarantee applies to domestic use only. The exceptions are specified under the headline "What is not covered under this guarantee?" Within the guarantee period, the costs to remedy the fault e.g. repairs, parts, labour and travel will be covered, provided that the appliance is accessible for repair without special expenditure. Replaced parts become the property of IKEA.

What will IKEA do to correct the problem?

IKEA will examine the product and decide, at its sole discretion, if it is covered under this guarantee. If considered covered, IKEA will then, at its sole discretion, either repair the defective product or replace it with the same or a comparable product.

What is not covered under this guarantee?

- Normal wear and tear.
- Deliberate or negligent damage, damage caused by failure to observe operating instructions, incorrect installation or by connection to the wrong voltage, damage caused by chemical or electrochemical reaction, rust, corrosion or water damage including but not limited to damage caused by excessive lime in the water supply, damage caused by abnormal environmental conditions.
- Consumable parts including batteries and lamps.
- Non-functional and decorative parts which do not affect normal use of the appliance, including any scratches and possible colour differences.
- Accidental damage caused by foreign objects or substances and cleaning or unblocking of filters, drainage systems or soap drawers.
- Damage to the following parts: ceramic glass, accessories, crockery and cutlery baskets, feed and drainage pipes, seals, lamps and lamp covers,

screens, knobs, casings and parts of casings. Unless such damages can be proved to have been caused by production faults.

- Repairs not carried out by our appointed service providers and/or an authorized service contractual partner or where non-original parts have been used.
- Repairs caused by installation which is faulty or not according to specification.
- The use of the appliance in a non-domestic environment i.e. professional use.
- Transportation damages. If a customer transports the product to his home or another address, IKEA is not liable for any damage that may occur during transport. However, if IKEA delivers the product to the customer's delivery address, then damage to the product that occurs during this delivery will be covered by IKEA.
- Cost for carrying out the initial installation of the IKEA appliance. However, if an IKEA appointed Service Provider or its authorized service partner repairs or replaces the appliance under the terms of this guarantee, the appointed Service Provider or its authorized service partner will reinstall the repaired appliance or install the replacement, if necessary.

How country law applies

The IKEA guarantee gives you specific legal rights, which cover or exceed all the local legal demands. However these conditions do not limit in any way consumer rights described in the local legislation.

Area of validity

For appliances which are purchased in one EU country and taken to another EU country, the services will be provided in the framework of the guarantee conditions normal in the new country. An obligation to carry out services in the framework of the guarantee exists only if the appliance complies and is installed in accordance with:

- the technical specifications of the country in which the guarantee claim is made;
- the Assembly Instructions and User Manual Safety Information.

AFTER SALES for IKEA appliances

Please don't hesitate to contact IKEA to:

- make a service request under this guarantee.
- ask for clarification on functions of IKEA appliances.

To ensure that we provide you with the best assistance, please read carefully the Assembly Instructions and/or the User Manual before contacting us.

ENGLISH

How to reach us if you need our service



The IKEA after sales customer service centre will assist you on the phone with basic trouble shooting for your appliance at the time of service call request. Please see the IKEA catalogue or visit www.ikea.com to find your local store phone number and opening time.

In order to provide you a quicker service, please also always refer to the IKEA article number (8 digit code) placed on the rating plate of your appliance.

SAVE THE SALES RECEIPT!

It is your proof of purchase and required for the guarantee to apply. The sales receipt also reports the IKEA name and article number (8 digit code) for each of the appliances you have purchased.

Do you need extra help?

For any additional questions not related to After Sales of your appliances please contact your nearest IKEA store call centre. We recommend you read the appliance documentation carefully before contacting us.

1.안전 정보	18
2.제품 설명	23
3.조작부	24
4.문제 해결	25
5.사양	25
6.설치 및 연결	26
7.환경 보호	26
8.IKEA 품질보증	27

한국어

전자레인지 사용하기 전에 이 설명서를 주의 깊게 읽고 잘 보관하세요.

설명서 준수하면 수년 동안 전자레인지의 우수한 품질이 유지됩니다.

설명서를 잘 보관하세요

1. 안전 정보



과도한 전자파에 노출되지 않기 위해 취해야 할 예방 조치

- a) 유해한 전자파에 노출될 수 있으므로 문을 연 상태로 전자레인지의 작동하지 마세요. 안전 스위치를 파손하거나 변조하지 않는 것이 중요합니다.
- b) 전자레인지의 앞면과 문 사이에 물건을 놓지 마시고 슝링 부위의 표면에 먼지 또는 세척제의 잔여물이 쌓이지 않도록 하세요.
- c) **경고:** 문 또는 문 슝링 부위가 파손된 경우 유자격자가 수리할 때까지 전자레인지를 작동해서는 안 됩니다.

추가 사항

기기를 청결한 상태로 유지하지 않을 경우 표면이 손상되어 수명에 영향을 미칠 수 있으며, 이로 인해 위험한 상황이 초래될 수 있습니다.

중요 안전 지침 및 경고

기기를 사용할 때 화재, 감전, 상해 또는 과도한 전자파 노출의 위험을 줄이려면 다음과 같은 기본적인 예방 조치를 준수하세요.

1. **“과도한 전자파에 노출되지 않기 위해 취해야 할 예방 조치”**를 정확하게 읽고 준수하세요.
2. 이 기기는 안전하게 사용하는 방법에 관한 지침을 받고 관련된 위험을 이해하는 경우 8세 이상의 어린이 및 신체적, 감각적 또는 정신적 능력이 저하되거나 경험 또는 지식이 부족한 사람이 사용할 수 있습니다. 어린이가 기기를 가지고 놀아서는 안 됩니다. 감독 없이 어린이가 제품을 청소 또는 유지 보수해서는 안 됩니다.
3. 8세 미만 어린이는 제품 및 제품 코드에서 떨어져 있도록 하세요.
4. 전원 코드가 손상된 경우 위험을 방지하기 위해 반드시 제조사, 서비스 센터 또는 이와 유사한 자격을 갖춘 사람에 의해 교체되어야 합니다.
5. **경고:** 유자격자 이외의 사람이 전자파 노출을 방지하는 덮개를 제거해야 하는 서비스 또는 수리 작업을 수행하는 것은 위험합니다.

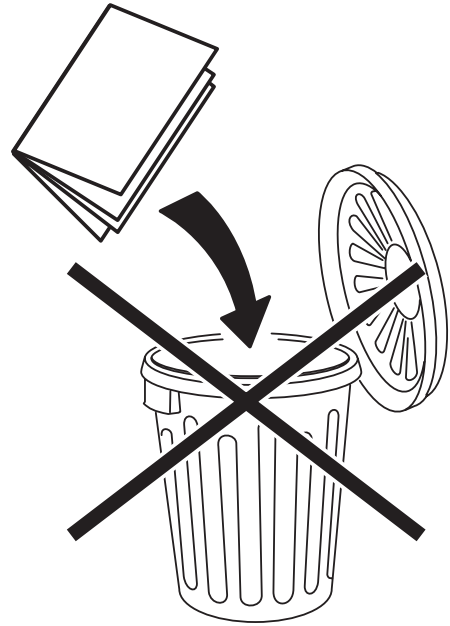
한국어

6. 전자레인지로 음료를 가열하면 액체가 끓어 갑자기 폭발할 수 있습니다.
7. 플라스틱 또는 종이 용기에 담은 음식을 가열할 때는 발화할 수 있으므로 전자레인지를 지켜보세요.
8. 전자레인지를 사용할 때는 적절한 용기만 사용하세요.
9. 연기가 발생하는 경우 전원을 끄거나 기기의 플러그를 뽑고 불꽃이 잦아들도록 문을 닫으세요.
10. 전자레인지에서 음료를 데울 때는 음료가 끓어 넘칠 수 있으므로 용기를 조심히 다뤄야 합니다.
11. 젖병 및 이유식 용기의 내용물은 먹이기 전에 젖거나 흔들어 온도를 확인해 데지 않도록 해야 합니다.
12. 껍질이 있는 달걀 및 삶은 달걀은 전자레인지의 가열이 종료된 이후에도 폭발할 수 있으므로 전자레인지에서 가열해서는 안 됩니다.
13. 전자레인지는 주기적으로 청소하고 남아 있는 음식물을 제거해야 합니다.
14. 전자레인지를 청결한 상태로 관리하지 않는 경우 표면의 품질이 저하될 수 있으며, 이는 기기의 수명에 악영향을 미치고 위험한 상황을 초래할 수 있습니다.
15. 과열을 방지하기 위해 기기를 장식용 문 뒤에 설치해서는 안 됩니다.
16. 전자레인지는 캐비닛의 문을 연 상태로 작동해야 합니다.
17. 이 제품은 가정용으로만 사용하도록 설계되었으며 적용할 수 있는 유사 분야는 다음과 같습니다.
 - 사무실 및 기타 사무용 공간에서의 직원용 탕비실.
 - 호텔, 모텔 및 기타 숙박 시설의 투숙객 전용 공간.
 - 농가.
 - B&B 유형 환경.
18. 이 전자레인지는 음식 및 음료를 데우기 위한 것입니다. 음식 또는 의류의 건조 및 보온 패드, 슬리퍼, 스펀지, 젖은 천 및 유사 물품의 가열은 상해, 발화 또는 화재의 위험을 초래할 수 있습니다.

한국어

19. 전자레인지에 사용해 음식 또는 음료를 데울 때는 금속 용기를 사용해서는 안 됩니다.
20. 이 기기를 스팀 청소기로 청소해서는 안 됩니다.
21. 이 기기는 단독으로 놓거나 캐비닛 안에서 사용하도록 설계되었습니다.
22. 기기의 뒷면이 벽면을 마주하도록 놓으세요.
23. 이 기기는 가정용이며 실내 사용 전용입니다. 옥외에서 사용하지 마세요!
24. 감전을 방지하기 위해 제품, 코드의 주요 부위를 물에 담그거나 물 또는 기타 액체에 코드를 씻지 마세요.
25. **경고:** 액체 및 기타 음식물이 폭발할 수 있으므로 밀폐된 용기에 넣어 가열해서는 안 됩니다.

주의 깊게 읽고 추후 참조할 수 있도록 보관하세요.



한국어

접지 시 사람의 부상 위험을 줄이기 위해

위험

감전 위험

일부 내부 부품을 만지면 심각한 부상을 입거나 사망에 이를 수 있습니다. 기기를 분해하지 마세요.

경고

감전 위험

접지 플러그를 잘못 사용하면 감전을 초래할 수 있습니다. 기기가 적절히 설치되고 접지될 때까지 플러그를 콘센트에 꽂지 마세요.

이 기기는 접지되어야 합니다. 접지되면 단락될 경우 전류가 흐르는 전선이 분리되어 감전의 위험이 줄어듭니다. 이 기기에는 접지 플러그가 있는 접지 전선 코드가 장착되어 있습니다. 접지 플러그는 적절히 설치되어 접지된 콘센트에 꽂아야 합니다.

접지 지침을 완벽하게 이해하지 못하거나 기기가 제대로 접지되었는지 의심스러운 경우 유자격 전기 기술자 또는 서비스 담당자에게 문의하세요. 연장 코드를 사용해야 하는 경우 3선 연장 코드만 사용하세요.

1. 코드가 길어 얽히거나 걸려 넘어져 발생하는 위험을 줄이기 위해 짧은 전원 공급 코드가 제공됩니다.
2. 긴 코드 세트 또는 연장 코드를 사용하는 경우:
 - a) 코드 세트 또는 연장 코드에 표시된 정격 전류 및 전압은 기기의 정격 전류 및 전압 이상이어야 합니다.
 - b) 연장 코드는 접지된 3선 유형 코드여야 합니다.
 - c) 조리대 상단 또는 테이블 상단 위에 긴 코드를 늘어뜨려 어린이가 당기거나 실수로 걸려 넘어질 수 있게 해서는 안 됩니다.

청소

전원 공급 장치에서 기기의 플러그를 뽑으세요.

1. 물기를 약간 묻힌 천을 사용해 전자레인지의 을 청소하세요.
2. 구성품은 세제를 사용해 일반적인 방법으로 닦아주세요.

3. 문 프레임과 씰링 부위 및 그 주변부가 지저분할 경우에는 주의를 기울여 젖은 천으로 청소해야 합니다.

4. 전자레인지의 문은 표면이 긁혀 유리가 깨질 수 있으니 거친 연마성 세척제 또는 뾰족한 금속 스크레이퍼를 사용하지 마세요.

5. 청소 팁 ★ 요리하는 음식이 닿을 수 있는 캐비티를 쉽게 청소하려면: 그릇에 레몬 반 개를 넣고 물 300ml(1/2 파인트)를 부은 후 전자레인지의 출력을 100%로 조정해 10분간 가열하세요. 부드럽고 마른 천을 사용해 전자레인지를 닦아내세요.

용기

주의

사람이 다칠 수 있음

유자격자 이외의 사람이 전자파 노출을 방지하는 덮개를 제거해야 하는 서비스 또는 수리 작업을 수행하는 것은 위험합니다.

“전자레인지에서 사용할 수 있거나 사용을 피해야 할 재질”에 관한 지침을 참조하세요.

전자레인지에 사용하기에 안전하지 않은 특정 비금속 용기가 있을 수 있습니다. 확실하지 않은 경우 다음 절차에 따라 용기를 테스트할 수 있습니다.

용기 테스트:

1. 전자레인지에서 사용할 수 있는 용기에 차가운 물 1컵(250ml)을 채우고 테스트하는 용기를 놓으세요.
2. 최대 출력에서 1분간 가열하세요.
3. 용기를 조심스럽게 만져보세요. 빈 용기가 따뜻하다면 전자레인지에 사용해서는 안 됩니다.
4. 조리 시간은 1분을 초과해서는 안 됩니다.

한국어

전자레인지에서 사용할 수 있는 재질

용기	비고
전자레인지 전용 용기	제조사사의 지침을 따르세요. 전자레인지 전용 용기는 턴테이블 위에 놓았을 때 5mm(3/16인치) 이상이어야 합니다. 잘못 사용하면 턴테이블이 파손될 수 있습니다.
식기	전자레인지 안전용기만 사용하세요. 제조사의 지침을 따르세요. 금이 가거나 이가 빠진 그릇은 사용하지 마세요.
유리병	항상 뚜껑을 분리하세요. 음식을 따뜻하게 데우는 용도로만 사용하세요. 대부분의 유리병은 내열성이 아니며 깨질 수 있습니다.
유리 용기	전자레인지용 내열 유리 용기만 사용하세요. 금속성 테두리가 없는지 확인하세요. 금이 가거나 이가 빠진 그릇은 사용하지 마세요.
전자레인지용 쿠킹백	제조사사의 지침을 따르세요. 금속 끈으로 묶지 마세요. 증기가 빠져나갈 구멍을 만들어주세요.
종이 접시 및 컵	짧은 시간 조리/데우기 할 때만 사용하세요. 조리하는 동안 전자레인지에서 떠나지 마세요.
종이 타월	음식을 다시 데우거나 지방을 제거할 때 사용하세요. 짧은 시간 조리할 때만 사용하고 지켜보세요.
유산지	음식물이 튀지 않게 하거나 증기를 이용하기 위해 덮을 때 사용하세요.
플라스틱	전자레인지 안전용기만 사용하세요. 제조사의 지침을 준수하세요. “전자레인지 사용 가능” 라벨이 있어야 합니다. 일부 플라스틱 용기는 들어 있는 음식물이 뜨거워지면 약해집니다. “스팀백” 및 단단히 밀봉한 플라스틱 봉투는 포장 지침에 따라 구멍 또는 통풍구를 만들어야 합니다.
랩	전자레인지 안전용기만 사용하세요. 조리하는 동안 수분을 유지하기 위해 음식을 덮을 때 사용하세요. 랩이 음식물에 닿지 않게 하세요.
온도계	전자레인지 안전 제품만 사용하세요(육류 및 사탕 온도계).
왁스 페이퍼	음식물이 튀는 것을 방지하고 수분을 유지하기 위해 덮을 때 사용합니다.

전자레인지에서 피해야 할 재질

용기	비고
알루미늄 트레이	불꽃을 일으킬 수 있습니다. 음식을 전자레인지 전용 용기로 옮기세요.
금속 손잡이가 있는 포장 상자	불꽃을 일으킬 수 있습니다. 음식을 전자레인지 전용 용기로 옮기세요.
금속 재질이거나 금속 테두리가 있는 용기	금속은 전자파가 음식에 닿지 않도록 차단합니다. 금속 테두리는 불꽃을 일으킬 수 있습니다.
금속이 섞인 끈	불꽃을 일으켜 전자레인지 내부에서 화재가 발생할 수 있습니다.
종이봉투	전자레인지에 화재가 발생할 수 있습니다.
플라스틱 폼	플라스틱 폼은 고온에 노출되면 녹거나 내용물을 오염시킬 수 있습니다.
나무	나무는 전자레인지에서 사용하면 건조되어 갈라지거나 벌어질 수 있습니다.

2. 제품 설명

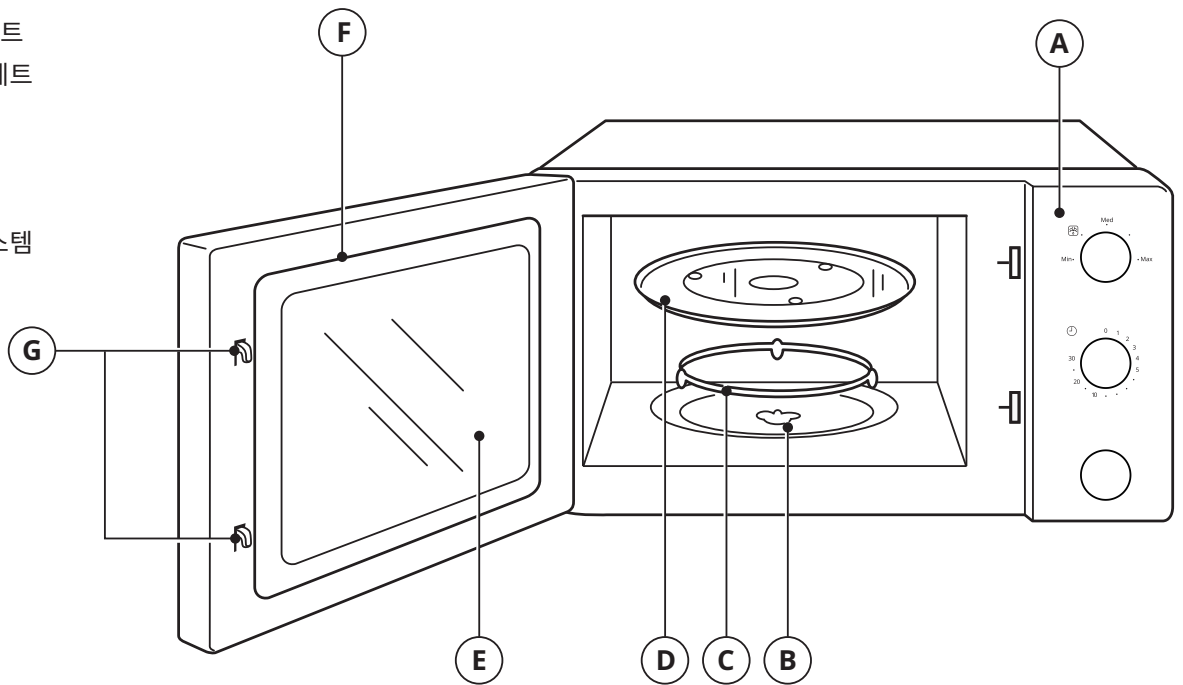
전자레인지 설치하기

전자레인지 부품 및 액세서리 이름

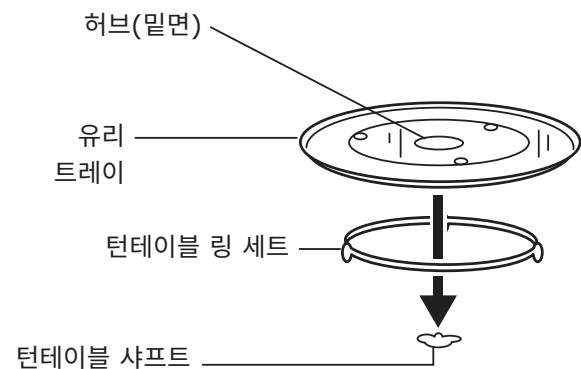
포장 상자에서 전자레인지의 모든 구성품과 캐비티를 꺼내세요. 전자레인지는 다음과 같은 액세서리로 구성됩니다.

유리 트레이	1개
턴테이블 링 세트	1개
설명서	1개

- A. 조작부
- B. 턴테이블 샤프트
- C. 턴테이블 링 세트
- D. 유리 트레이
- E. 관찰 창
- F. 문 세트
- G. 안전 잠금 시스템



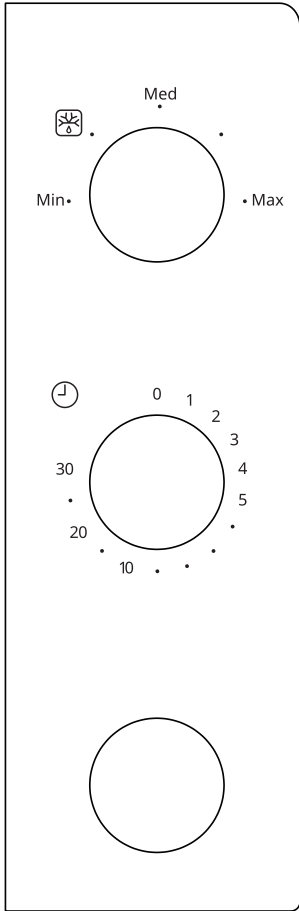
턴테이블 설치




- a) 유리 트레이를 거꾸로 놓지 마세요. 유리 트레이를 사용하지 않으면 안 됩니다.
- b) 조리하는 동안에는 항상 유리 트레이와 턴테이블 링 세트를 모두 사용해야 합니다.
- c) 음식 및 음식물을 담은 용기는 모두 항상 유리 트레이 위에 올려놓고 조리해야 합니다.
- d) 유리 트레이 또는 턴테이블 링 세트에 금이 가거나 깨진 경우 가까운 공인 서비스 센터에 문의하세요.

3. 조작부

조작부 및 기능 작동 지침



1. 조리 출력을 설정하려면 출력 노브를 원하는 레벨로 돌리세요.
2. 조리 시간을 설정하려면 음식 조리 가이드에 따라 시간 노브를 원하는 시간으로 돌리세요.
3. 출력 레벨과 시간을 설정하면 전자레인지가 자동으로 조리를 시작합니다.
4. 조리 시간이 완료되면 기기에서 “땡” 소리가 나며 작동이 중지됩니다.
5. 기기를 사용하지 않는 경우 항상 시간을 “0”으로 설정하세요.

기능/출력	와트	조리 대상
Min	115W	아이스크림 녹이기
	230W	국물 요리, 버터 녹이기 또는 해동
Med	390W	국물 요리, 생선
.	540W	밥, 생선, 치킨, 다진 고기
Max	700W	데우기, 우유, 뜨거운 물, 야채, 음료

알림:

전자레인지에서 음식을 꺼낼 때는 타이머 스위치를 0(제로)으로 돌려 전자레인지 전원을 끄세요. 그렇지 않으면 음식이 없는 상태로 전자레인지가 작동해 과열되고 마그네트론이 손상될 수 있습니다.

한국어

4. 문제 해결

정상	
전자레인지가 TV 수신에 간섭을 일으킴	전자레인지를 작동할 때 라디오 및 TV 수신에 간섭될 수 있습니다. 마찬가지로 믹서, 진공청소기, 선풍기와 같은 소형 가전제품도 간섭을 일으킬 수 있습니다. 이것은 정상입니다.
전자레인지의 내부등 흐려짐	출력이 낮은 상태로 전자레인지를 작동할 때는 전자레인지의 내부등이 흐려집니다. 이것은 정상입니다.
증기가 문으로 물리고 뜨거운 공기가 배출됩니다.	조리할 때는 음식에서 증기가 나올 수 있습니다. 대부분은 통풍구를 통해 배출되지만 일부는 전자레인지 문 같이 온도가 낮은 곳에 몰릴 수 있습니다. 이것은 정상입니다.
실수로 음식을 넣지 않고 전자레인지를 작동했습니다.	음식을 넣지 않고 기기만 작동하는 것은 금지됩니다. 매우 위험합니다.

문제	가능한 원인	해결책
전자레인지가 작동하지 않습니다.	(1) 전원 코드가 제대로 연결되지 않았습니니다.	전원 코드를 뽑으세요. 10초 후에 다시 꽂으세요.
	(2) 누전이거나 회로 차단기가 작동합니다.	퓨즈를 교체하거나 회로 차단기(당사 전문가에 의해 수리된)를 재설정하세요.
	(3) 콘센트에 문제가 있습니다.	다른 전자 기기를 사용해 콘센트를 테스트하세요.
전자레인지가 가열되지 않습니다.	(4) 문이 잘 닫히지 않았습니니다.	문을 잘 닫으세요.

5. 사양

모델:	TILLREDA 004.934.17
정격 전압:	220V~60Hz
정격 입력 전력(마이크로파):	1050W
정격 출력 전원(마이크로파):	700W
전자레인지 용량:	20L
턴테이블 직경:	255mm
외부 직경:	439.5x340.0x258.2mm
제품 중량:	약 10.39kg

6. 설치 및 연결

조리대 위 설치

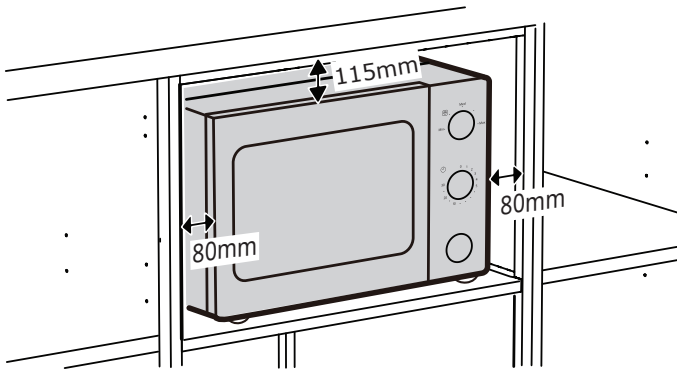
포장된 모든 구성품 및 액세서리를 꺼내세요. 흠집이 있거나 문이 깨치는 등 손상된 곳이 있는지 전자레인지 를 확인 하 세 요 . 전자레인지가 손상된 경우 설치하지 마세요.

캐비닛: 전자레인지 캐비닛 표면에 있는 보호 필름을 제거하세요.

흰색 플라스틱을 제거하지 마십시오. 마그네트론을 보호하기 위해 오븐 캐비닛에 부착된 덮개.

제품 설치

1. 표면이 평평하며 통풍의 유입 및/또는 배출이 원활한 열린 공간을 선택하세요.



(1) 기 기 의 뒷 면 이 벽 을 마주 하 도 록 놓 으 세 요 . 전자레인지 위로 최소 11.5cm의 간격을, 전자레인지와 인접한 벽 사이에 최소 8cm의 간격을 두세요.

(2) 전자레인지 하단의 다리를 제거하지 마세요.

(3) 유입구 및/또는 배출구를 막으면 전자레인지가 손상될 수 있습니다.

(4) 전자레인지는 가능한 한 라디오 및 TV에서 멀리 두세요. 전자레인지를 작동하면 라디오 또는 TV 수신에 간섭을 일으킬 수 있습니다.

2. 전자레인지를 표준 가정용 콘센트에 꽂으세요. 전압 및 주파수가 라벨에 표시된 정격 전압 및 주파수와 동일한지 확인하세요.

경고: 가스레인지, 인덕션 또는 기타 열을 발생하는 기기 위에 전자레인지를 설치하지 마세요. 열원 주변 또는 위에 설치하는 경우 전자레인지가 손상될 수 있으며 보증이 무효가 될 수 있습니다.



작동하는 동안 손에 닿는 표면이 뜨거울 수 있습니다.



7. 환경 보호

전기 및 전자 장비 폐기물(WEEE) 처리 시행령에 따라 WEEE

한국어

는 분리수거되어 처리되어야 합니다. 추후 이 제품을 폐기하는 경우 제품을 가정용 쓰레기와 함께 폐기하지 마세요. 이 제품을 이용할 수 있는 WEEE 분리수거 장소로 보내세요.

8. IKEA 품질보증

IKEA의 유효 품질보증 기간은 얼마인가요?

품질보증은 IKEA에서 제품을 구매한 날부터 2년 동안 유효합니다. 구매 증빙 자료로 영수증 원본이 필요합니다. 품질보증으로 서비스가 수행될 경우 이는 제품의 품질보증 기간을 연장하지 않습니다.

서비스를 수행하는 사람은 누구인가요?

가까운 IKEA 매장에 연락하세요.

품질보증에 해당하는 것은 무엇인가요?

품질보증에는 IKEA에서 구매한 날부터 재질 또는 제조상의 결함으로 발생한 제품의 결함이 해당합니다. 이 품질보증은 가정용으로 사용한 경우에만 적용됩니다. 품질보증 적용 예외는 “품질보증에 해당하지 않는 것은 무엇인가요?” 항목에 명시됩니다. 품질보증 기간 동안 수리비, 부품비, 인건비 및 교통비 등 결함을 수리하는 비용은 IKEA가 부담하며, 추가 비용 없이 제품 수리를 제공합니다. 교환된 부품은 IKEA의 자산으로 귀속됩니다.

IKEA는 문제를 해결하기 위해 어떤 조치를 취하나요?

IKEA는 제품을 검사하여 단독 재량에 따라 품질보증 대상에 해당하는지 판단합니다. 품질보증 대상에 해당하면 IKEA는 단독 재량으로 결함이 있는 제품을 수리하거나 동일 제품 또는 유사한 제품으로 교체해드립니다.

품질보증에 해당하지 않는 것은 무엇인가요?

- 통상적인 마모 및 손상.
- 고의 또는 부주의로 인한 손상, 사용 지침을 준수하지 않거나 잘못된 설치 또는 잘못된 전압 연결로 인한 손상, 화학 반응 또는 전기화학 반응으로 인한 손상, 녹, 부식 또는 물로 발생한 손상 및 이에 국한되지 않고 물 공급으로 인한 과도한 석회질로 발생한 손상, 비정상적인 환경 조건으로 인한 손상.
- 배터리 및 램프 등 소모품.
- 모든 굵힘 및 변색 등 제품의 정상적인 사용에 영향을 주지 않는 비기능성 부품 및 장식용 부품.
- 이물질 또는 물체 및 청소 또는 필터, 배수 시스템 또는 세제 통의 해제로 인해 발생한 우발적인 손상.
- 다음과 같은 부품의 손상: 세라믹 글라스, 액세서리, 그릇 및 식기 도구 통, 공급 및 배수 파이프, 밀봉품, 램프 및 램프 커버, 화면, 노브, 케이스 및 케이스 부품. 이러한 손상이 제조상의 결함으로 인한 손상으로 밝혀지지 않는 한 품질보증 대상에서 제외됨.

- IKEA가 지정한 서비스 제공 업체 및/또는 공식 서비스 계약 파트너가 아닌 곳에서 실행한 수리 또는 정품이 아닌 부품의 사용.
- 잘못된 또는 제품 사양을 준수하지 않은 설치로 인한 수리.
- 전문적 사용 등 가정용 이외의 환경에서 제품을 사용한 경우.
- 이동상의 손상. 사용자가 제품을 집 또는 기타 장소로 이동할 경우 IKEA는 이동 중 발생하는 모든 손상에 대해 책임을 지지 않습니다. 그러나 IKEA가 제품을 사용자의 주소로 인도한 경우 이 인도 과정에서 발생한 제품 손상은 IKEA가 보상합니다.
- IKEA 제품 최초 설치 시 발생하는 비용. 그러나 IKEA 지정 서비스 제공 업체 또는 공식 서비스 파트너가 품질보증 조건에 따라 제품을 수리 또는 교체할 경우, IKEA 지정 서비스 제공 업체 또는 공식 서비스 파트너는 필요에 따라 수리한 제품을 재설치하거나 교체한 제품을 설치합니다.

국내법 적용 방법

IKEA 품질보증은 특정 법적 권리를 부여하며, 이는 해당 국가의 법적 요구사항을 충족 또는 부합합니다. 그러나 이러한 조건은 해당 국가의 법률에 설명된 소비자의 권리를 어떠한 방식으로 제한하지 않습니다.

유효 지역

EU의 한 국가에서 구매한 후 EU의 다른 국가로 이동한 제품의 경우 새로운 국가의 일반적인 품질보증 조건 한도 내에서 서비스를 받을 수 있습니다. 품질보증 한도 내의 서비스 수행 책임은 다음 사항을 준수하고 적절하게 제품을 설치한 경우에만 이행됩니다.

- 품질보증 청구가 이행되는 국가의 기술 사양.
- 조립 설명서 및 사용자 설명서 안전 정보.

IKEA 제품의 서비스

다음과 같은 경우 IKEA에 편하게 연락하세요.

- 품질보증에 따른 서비스 신청.
- IKEA 제품의 기능 설명 요청.

적절한 도움을 제공해드릴 수 있도록 IKEA에 연락하기 전에 조립 설명서 및/또는 사용자 설명서를 주의 깊게 읽어주세요.

서비스가 필요할 때 어떻게 연락하나요?



IKEA 고객 서비스 센터는 서비스 요청 전화를 주실 경우 제품의 기본적인 문제를 해결할 수 있도록 전화상으로 지원합니다. IKEA 카달로그를 보거나 www.ikea.com을 방문해 현지 매장 전화번호 및 운영 시간을 확인하세요.

한국어

또한 빠르게 서비스를 받을 수 있도록 항상 제품 명판에 부착된 **IKEA** 제품 번호(8자리 코드)를 참조해 주세요.

영수증을 보관하세요.

영수증은 구매 증빙 자료이며 품질보증을 받을 경우에 필요합니다. 또한 영수증에는 구매하신 모든 IKEA 제품의 이름과 제품 번호(8자리 코드)가 명시됩니다.

추가적인 도움이 필요하세요?

제품의 서비스와 무관한 추가적인 도움이 필요한 모든 경우가 가까운 IKEA 매장 고객지원센터에 연락하세요. 연락하시기 전에 제품 서류를 주의 깊게 읽으시기를 권장합니다.

