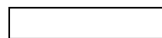
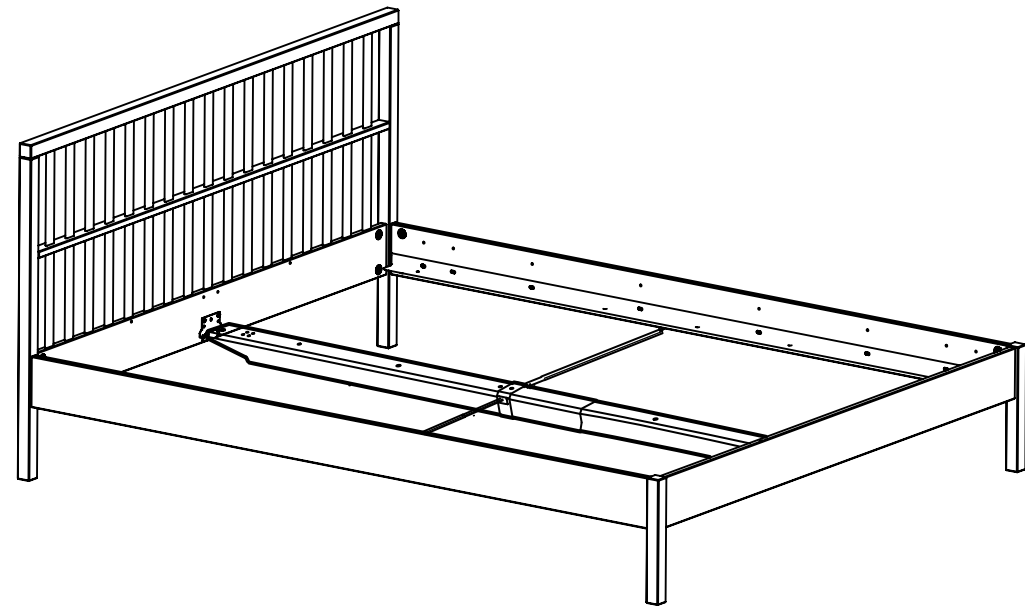
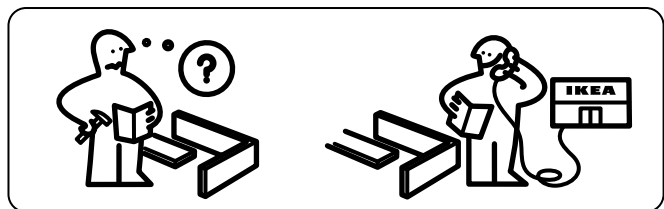
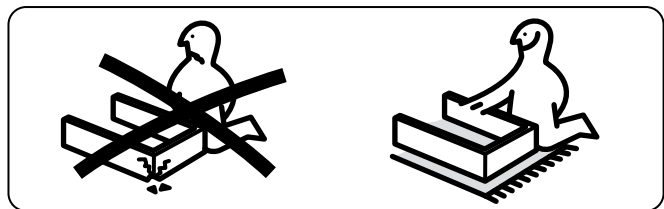
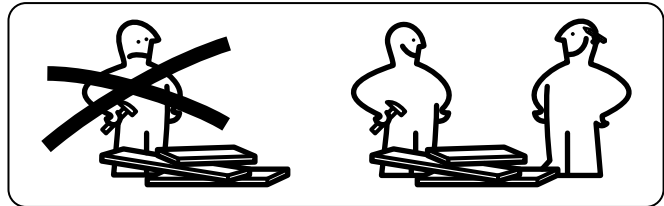
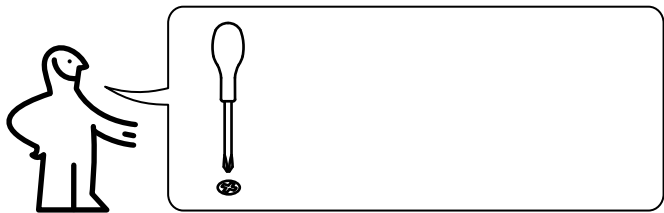
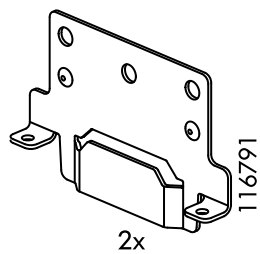
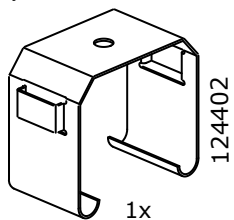
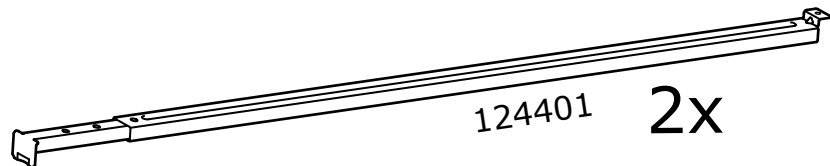
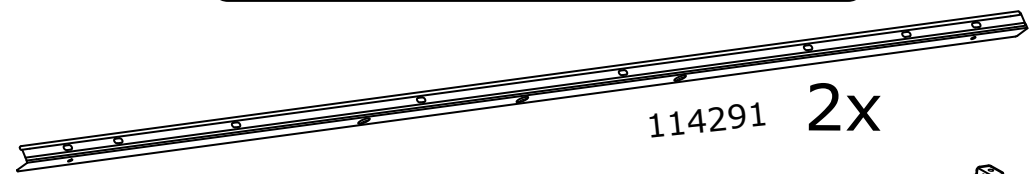
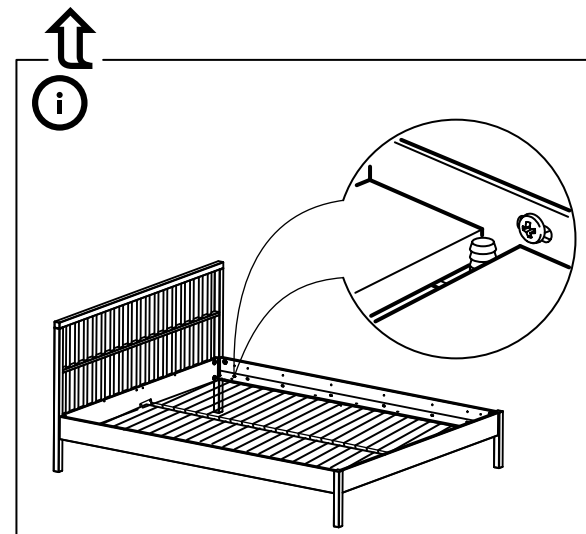
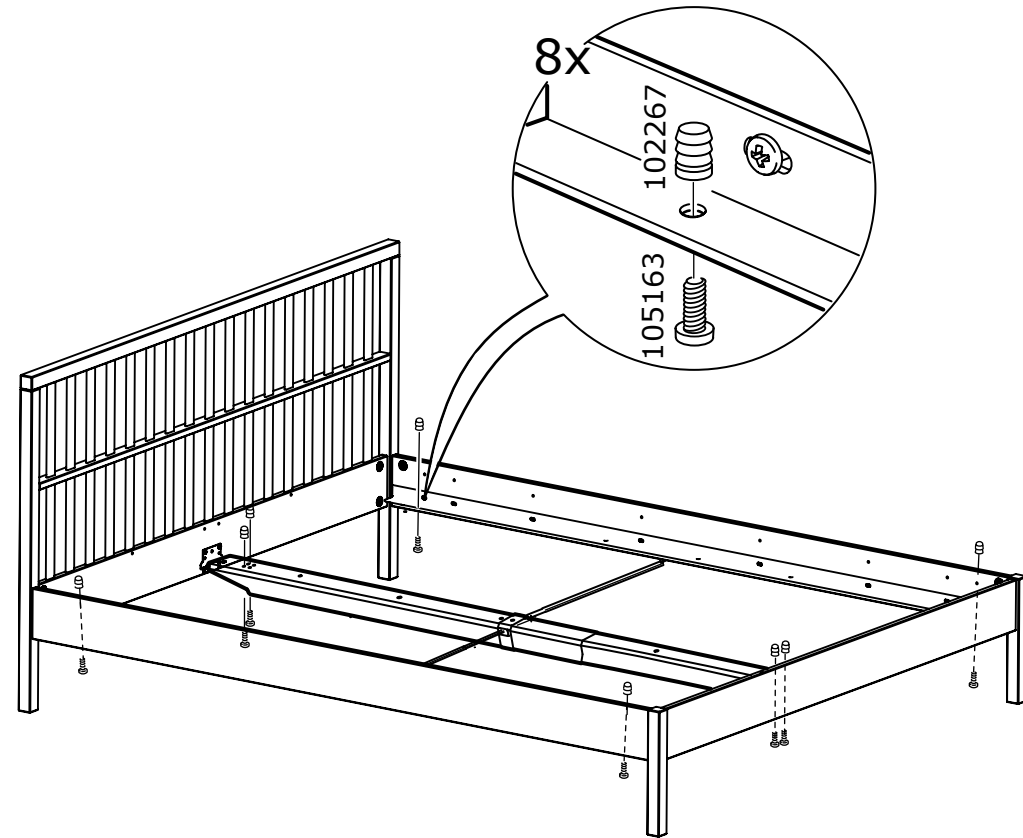


# KONGSHUS

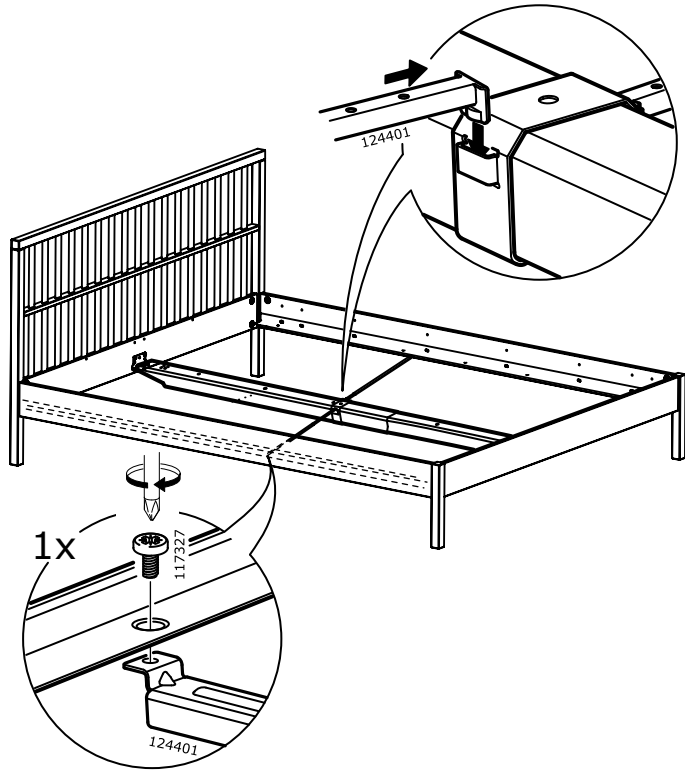




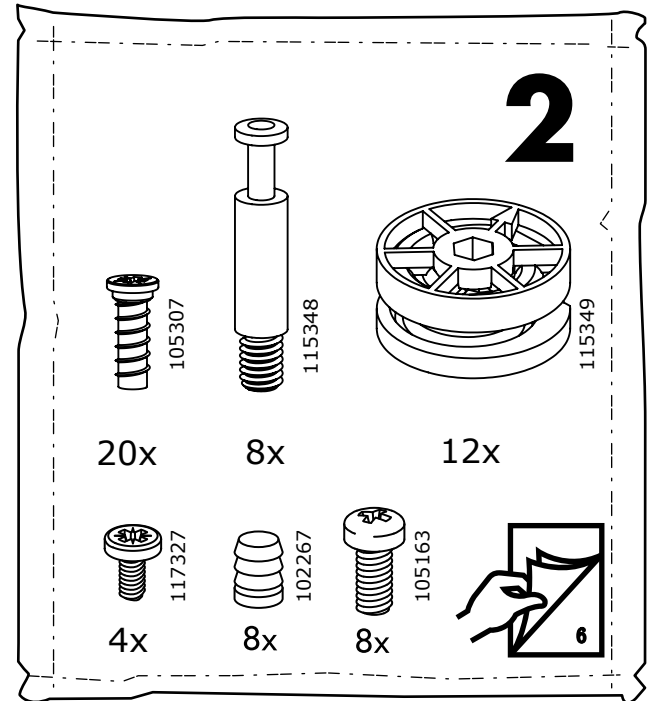
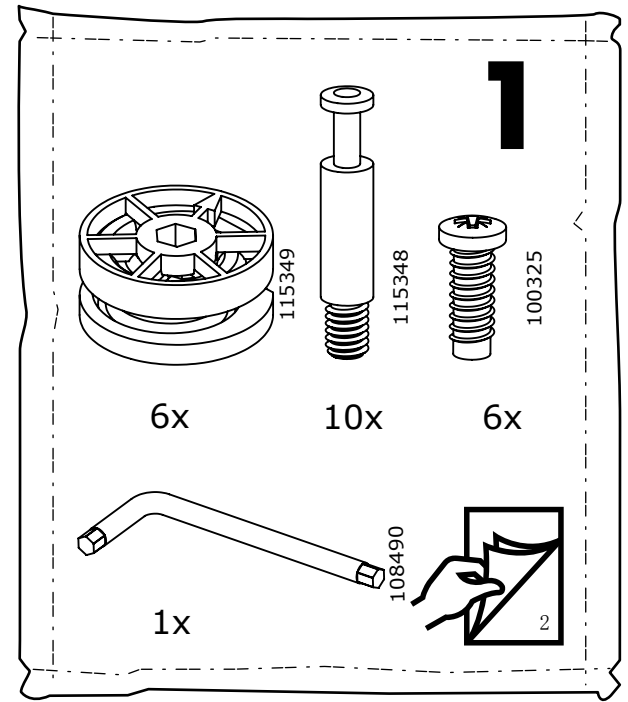
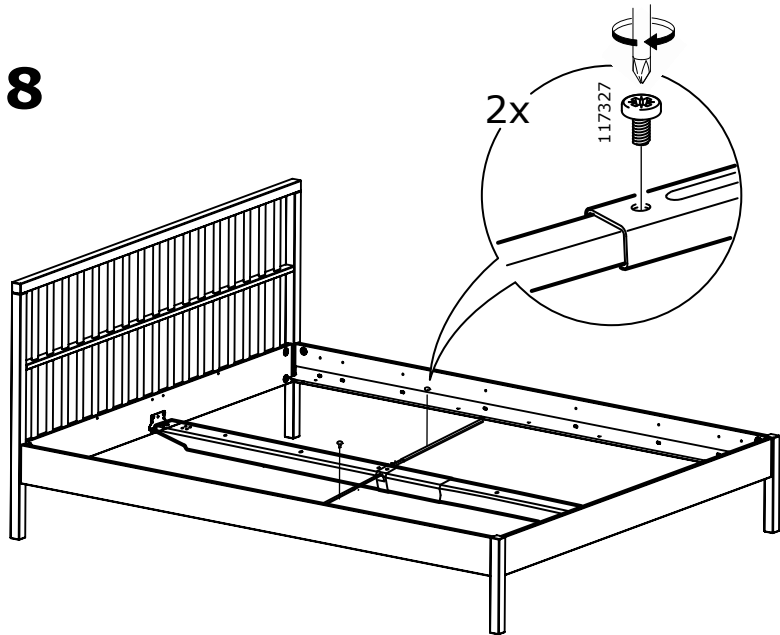
19



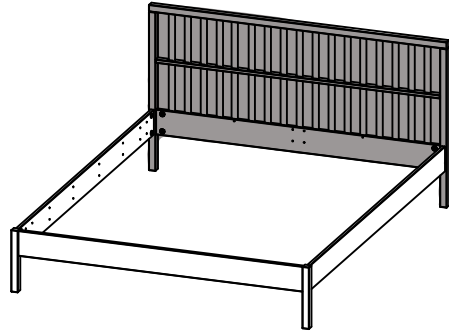
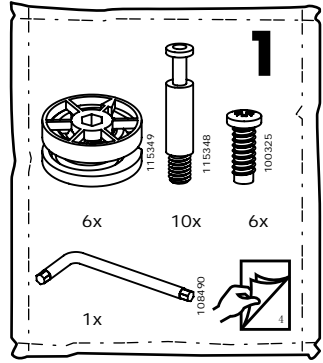
17



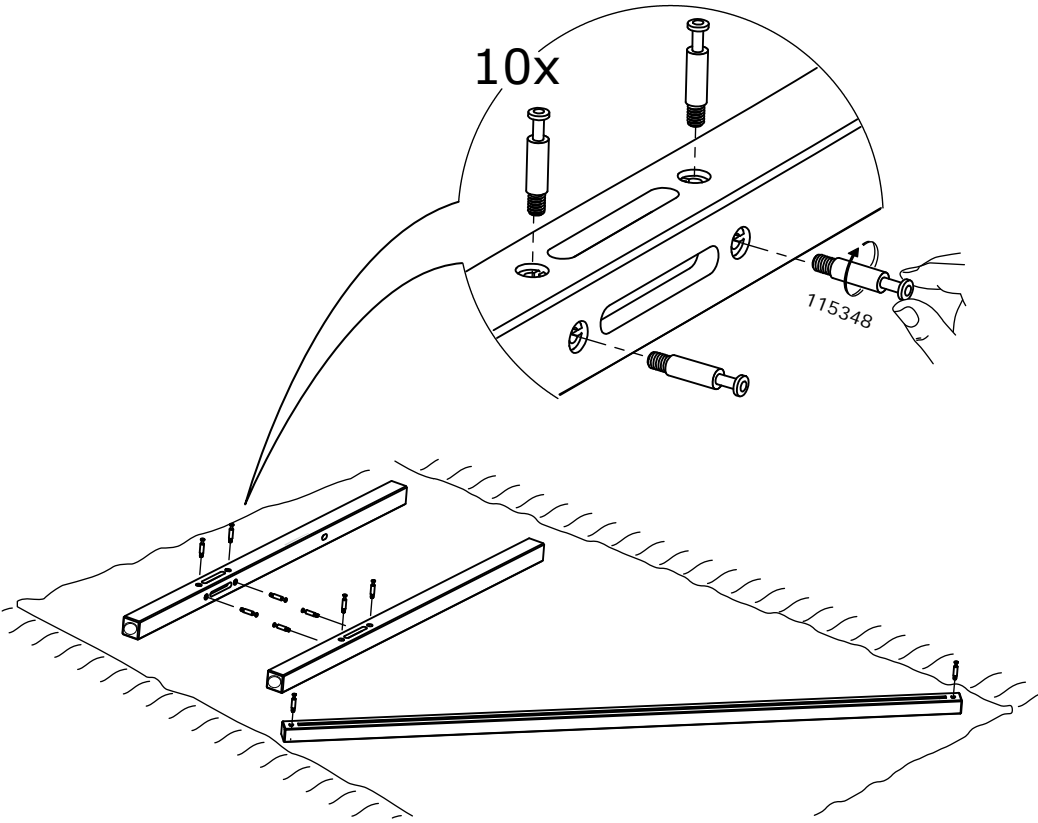
18



1

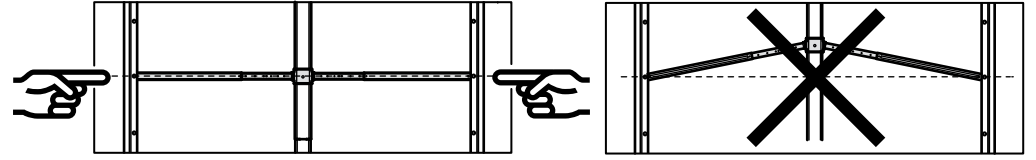


10x

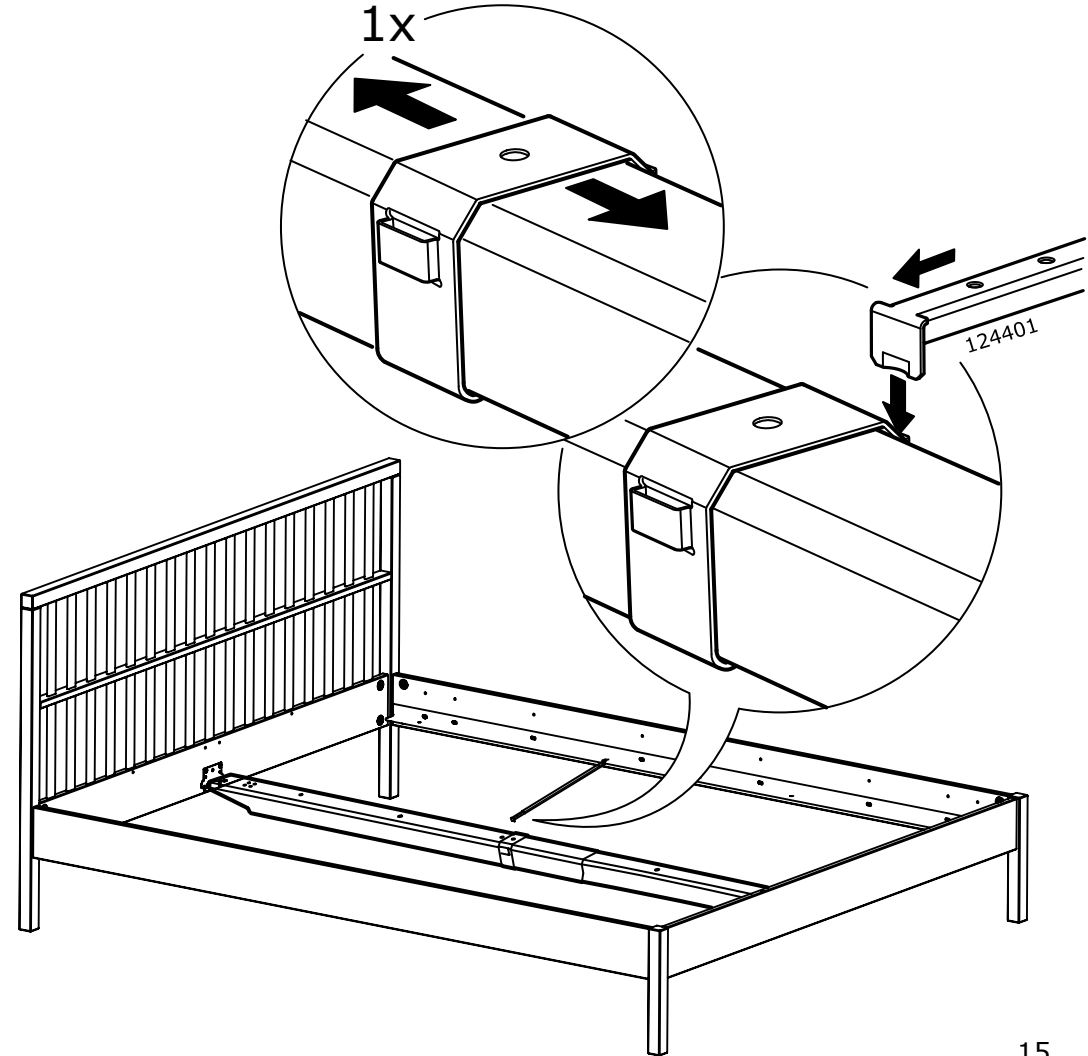


115348

16



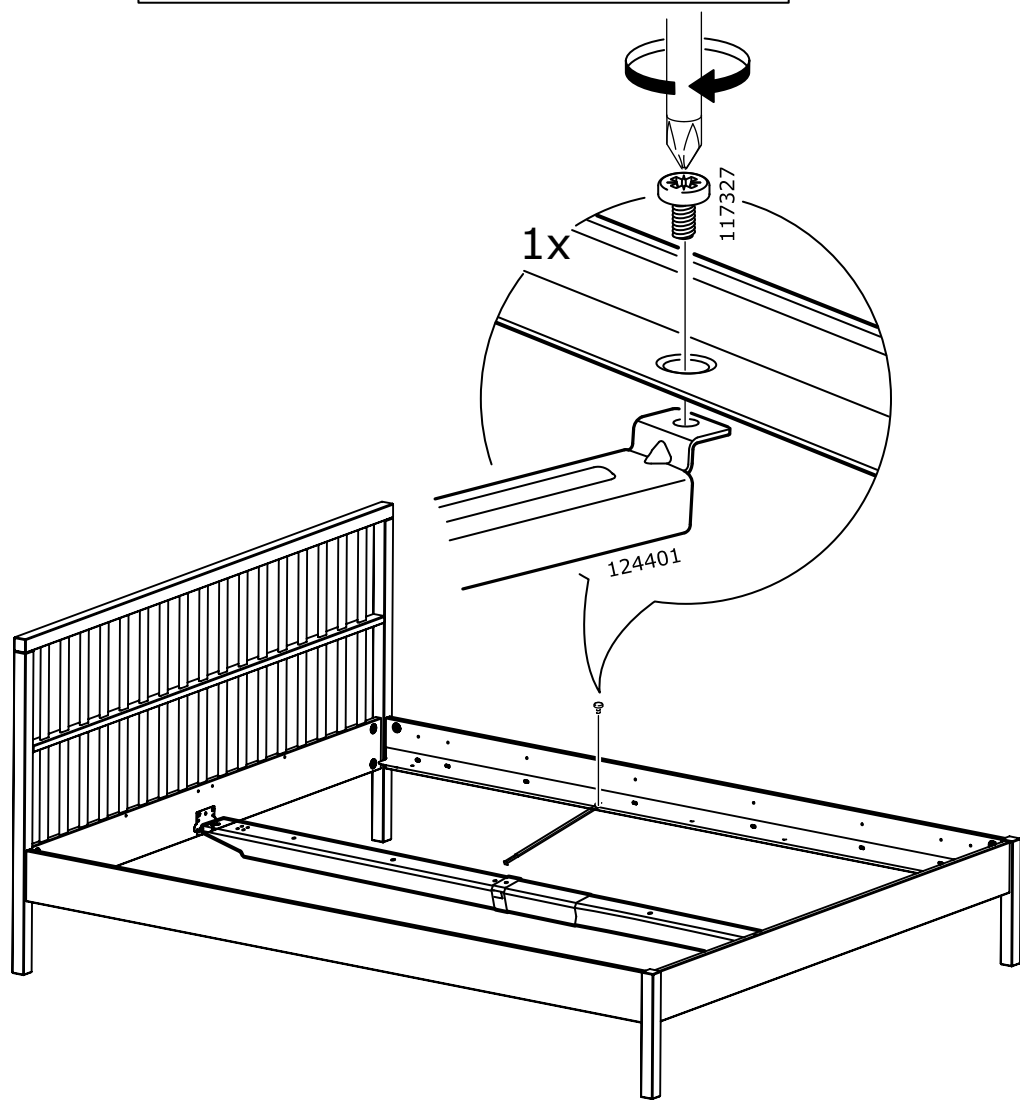
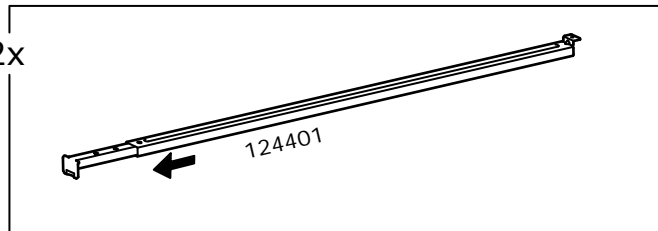
1x



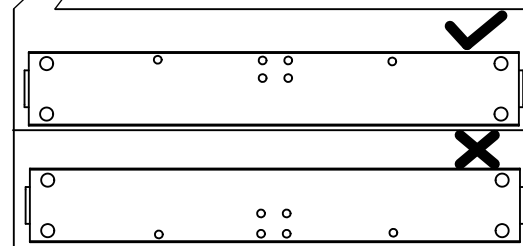
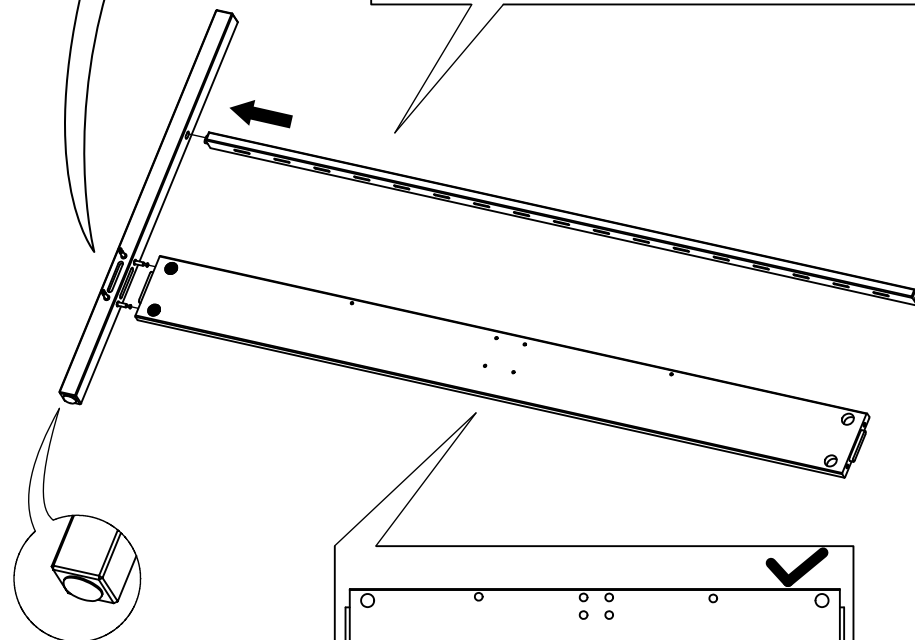
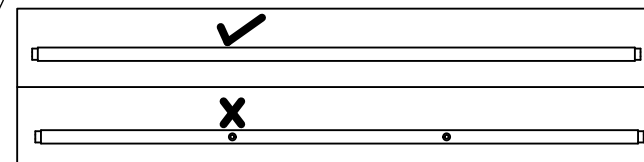
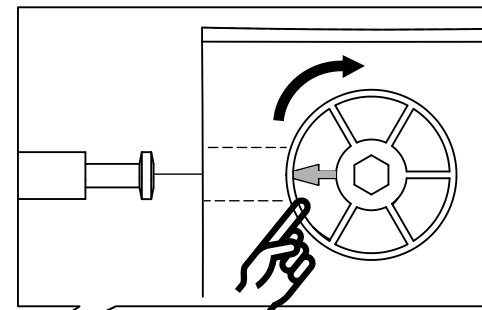
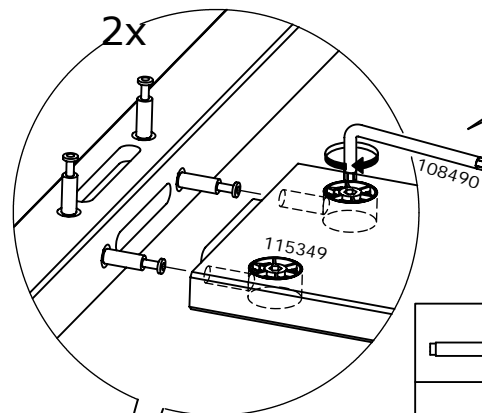
124401

15

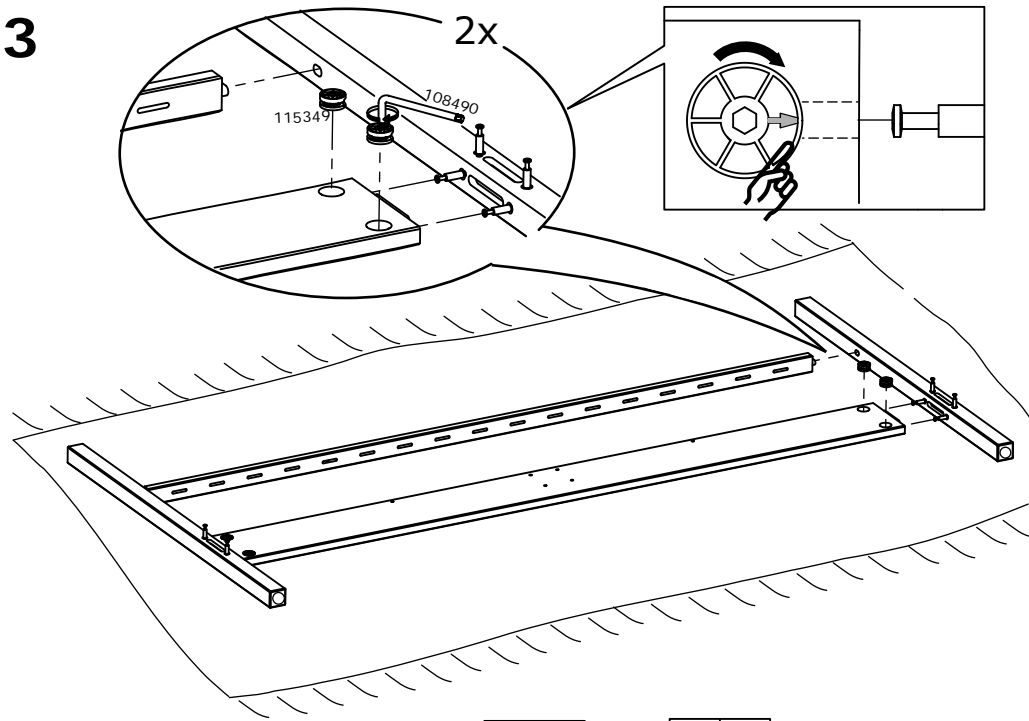
2x



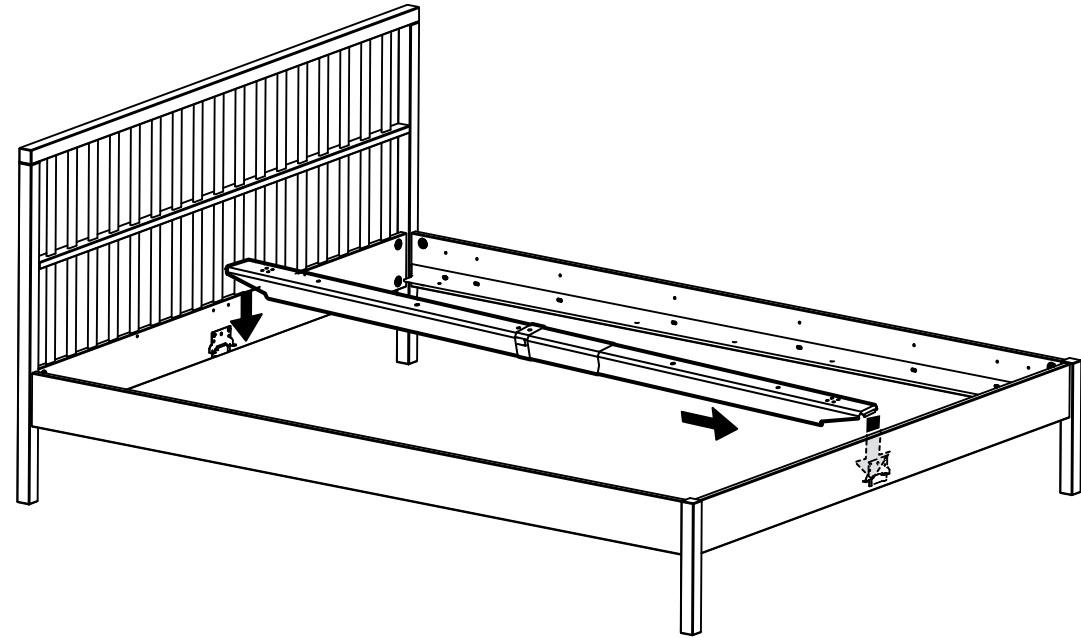
2



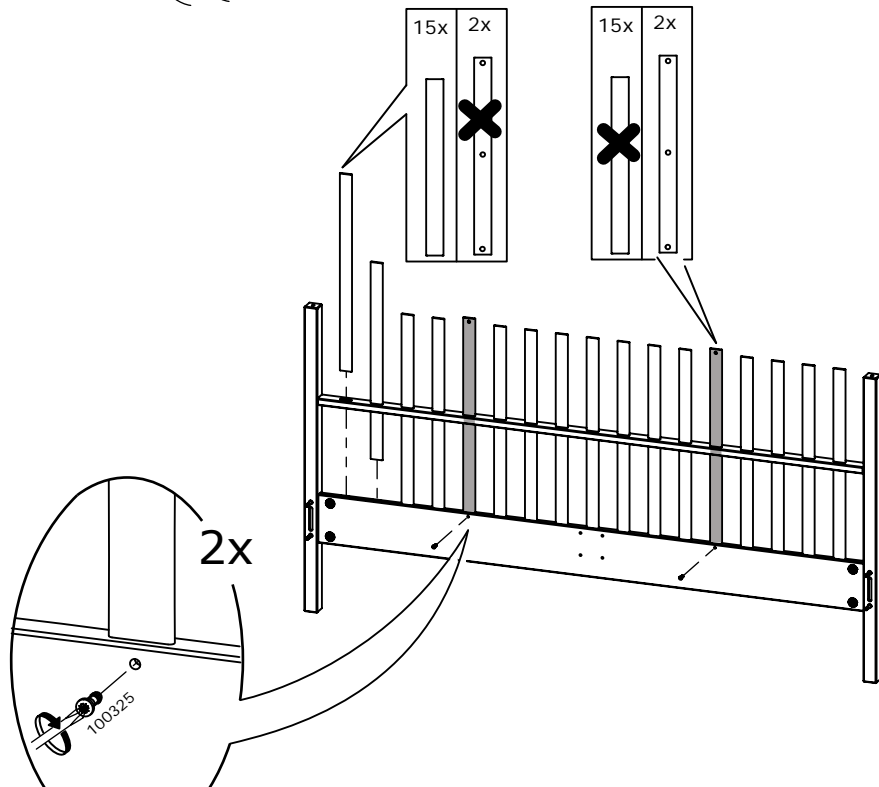
3



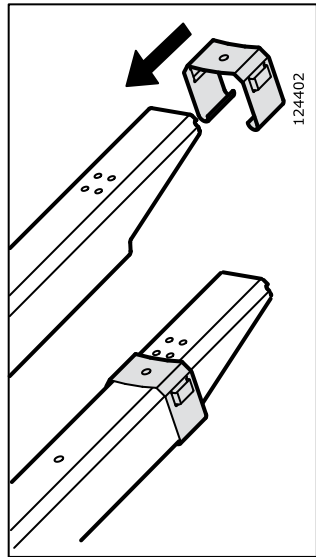
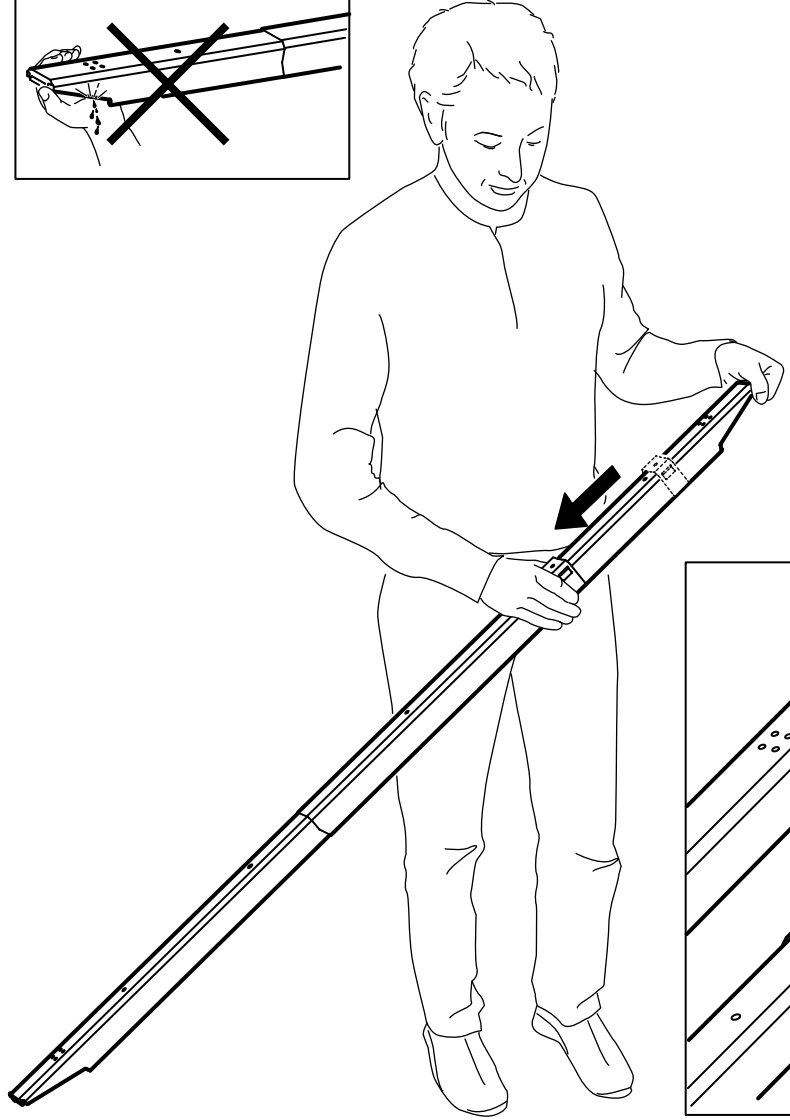
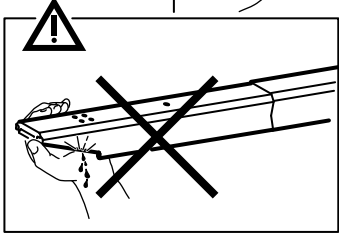
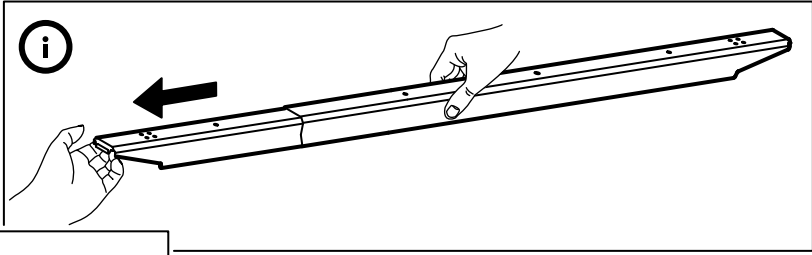
14



4



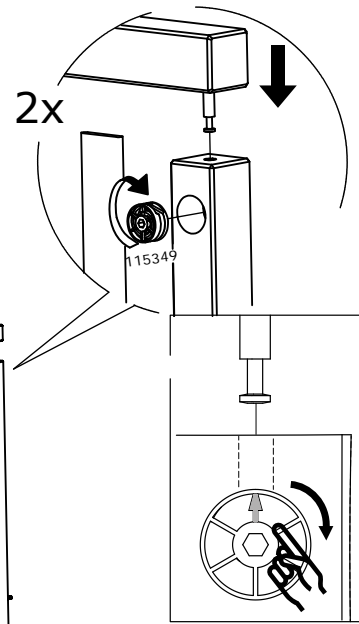
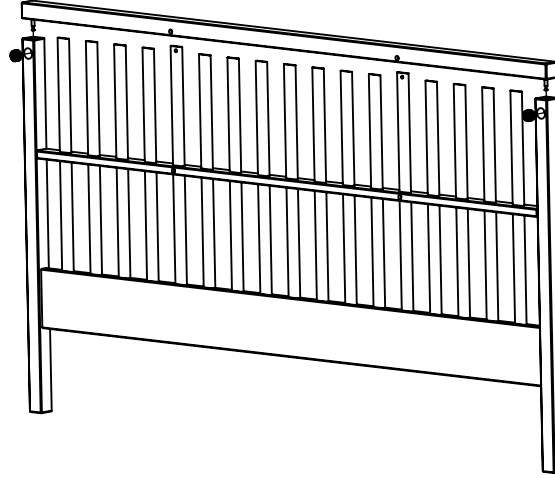
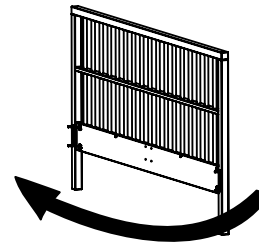
13



124402

12

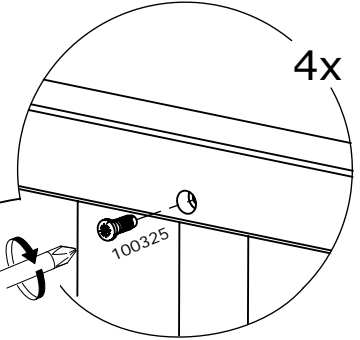
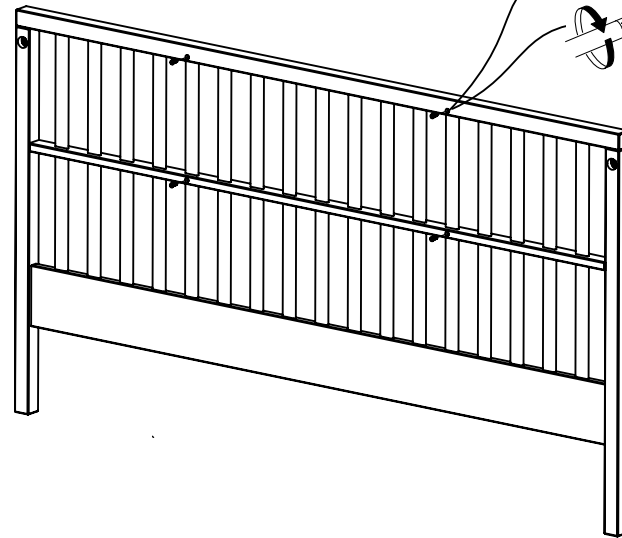
5



2x

115349

6

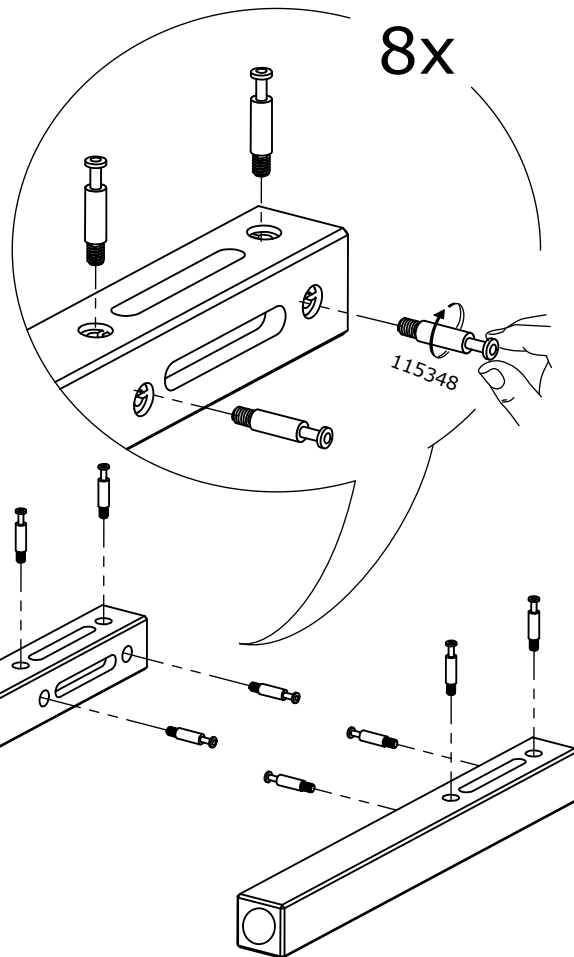
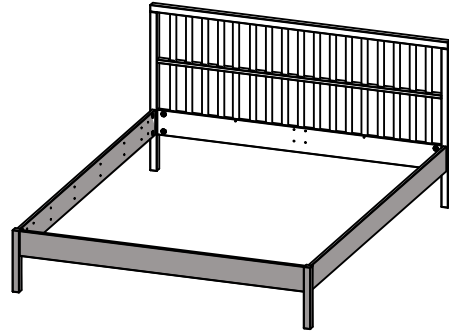
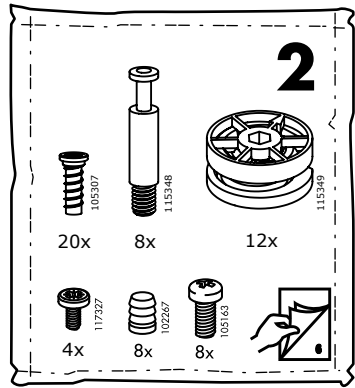


4x

100325

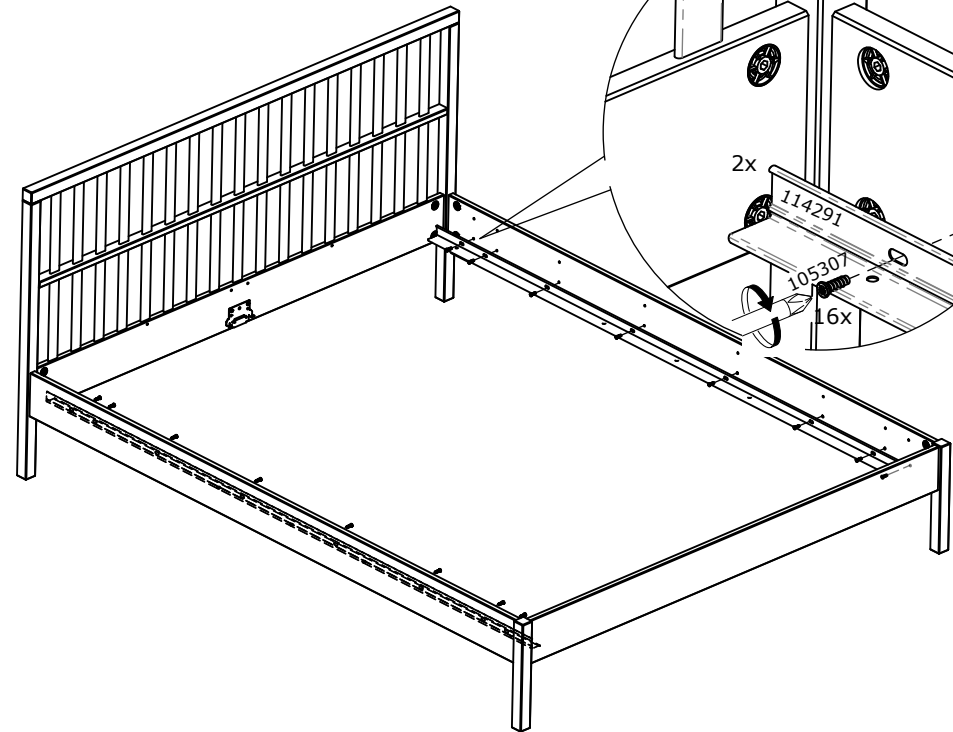
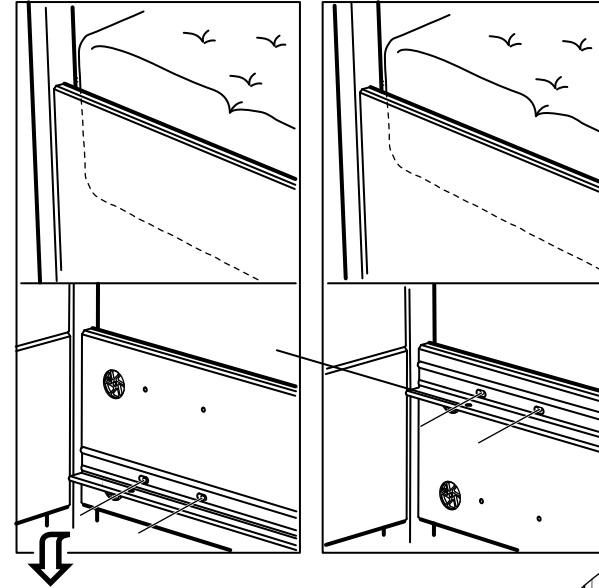
4

7



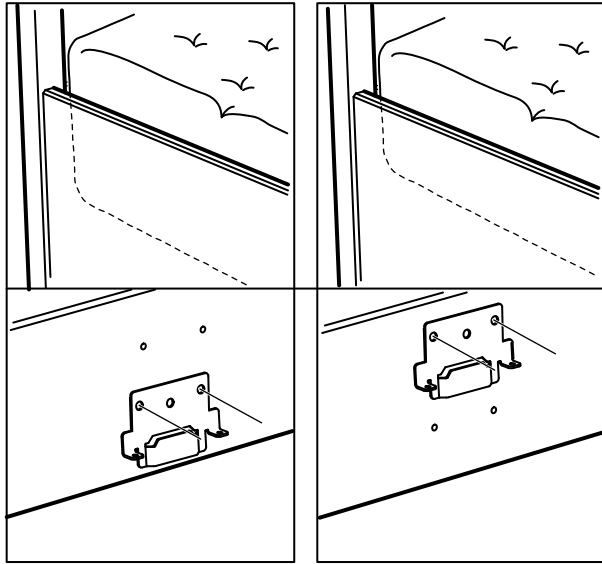
6

12

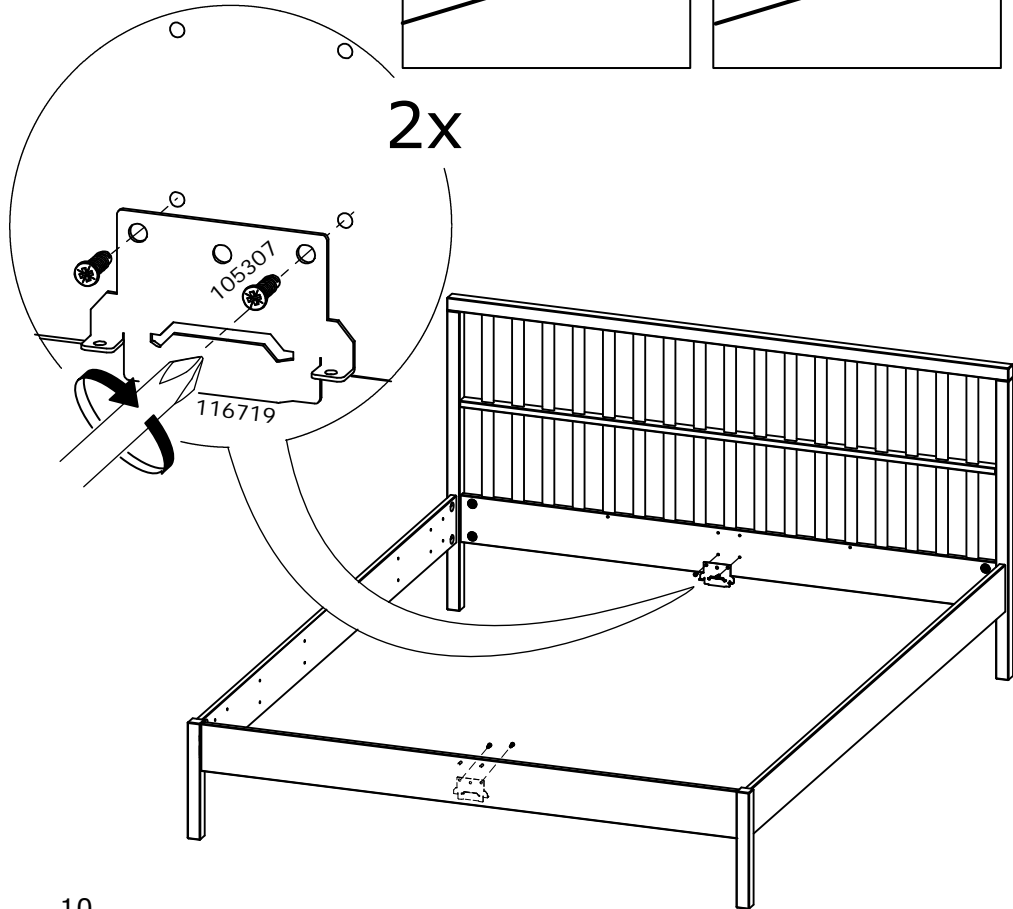


11

11

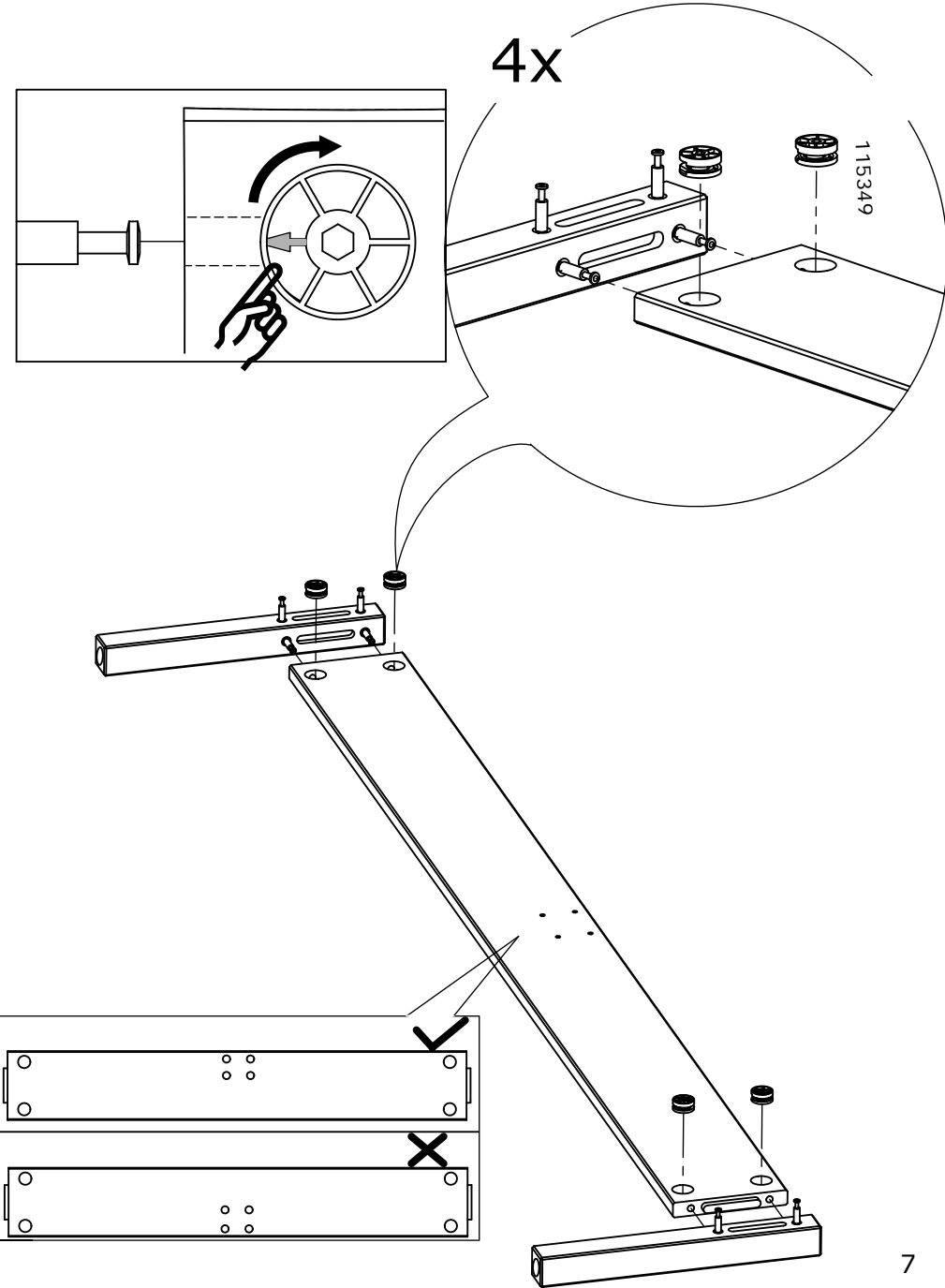


2x



10

8



7

