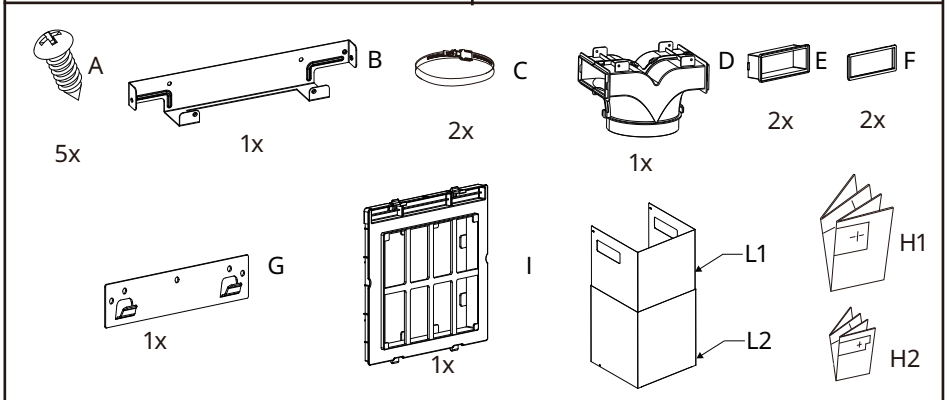
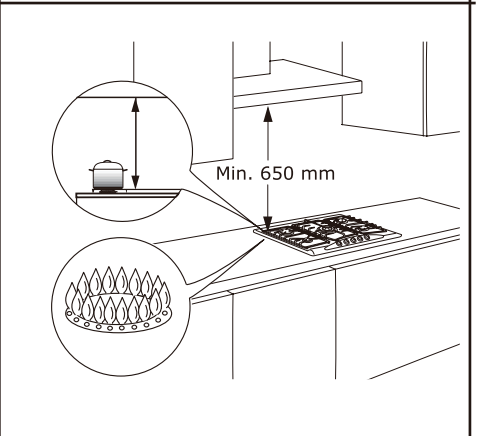
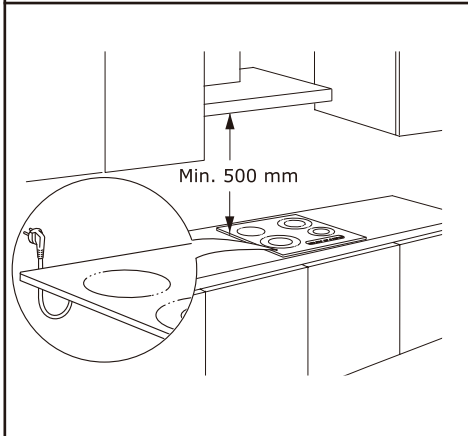
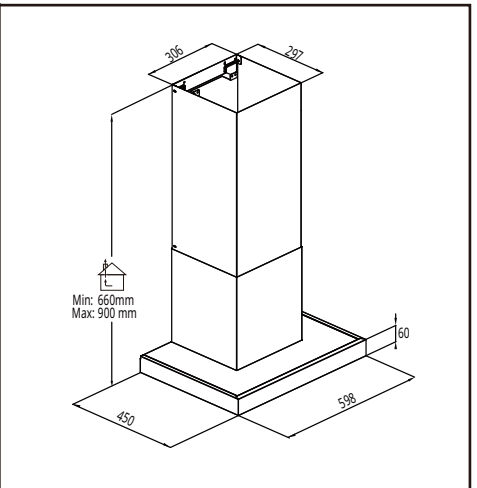
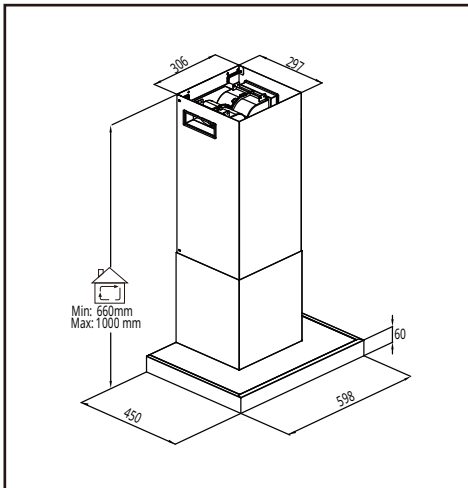
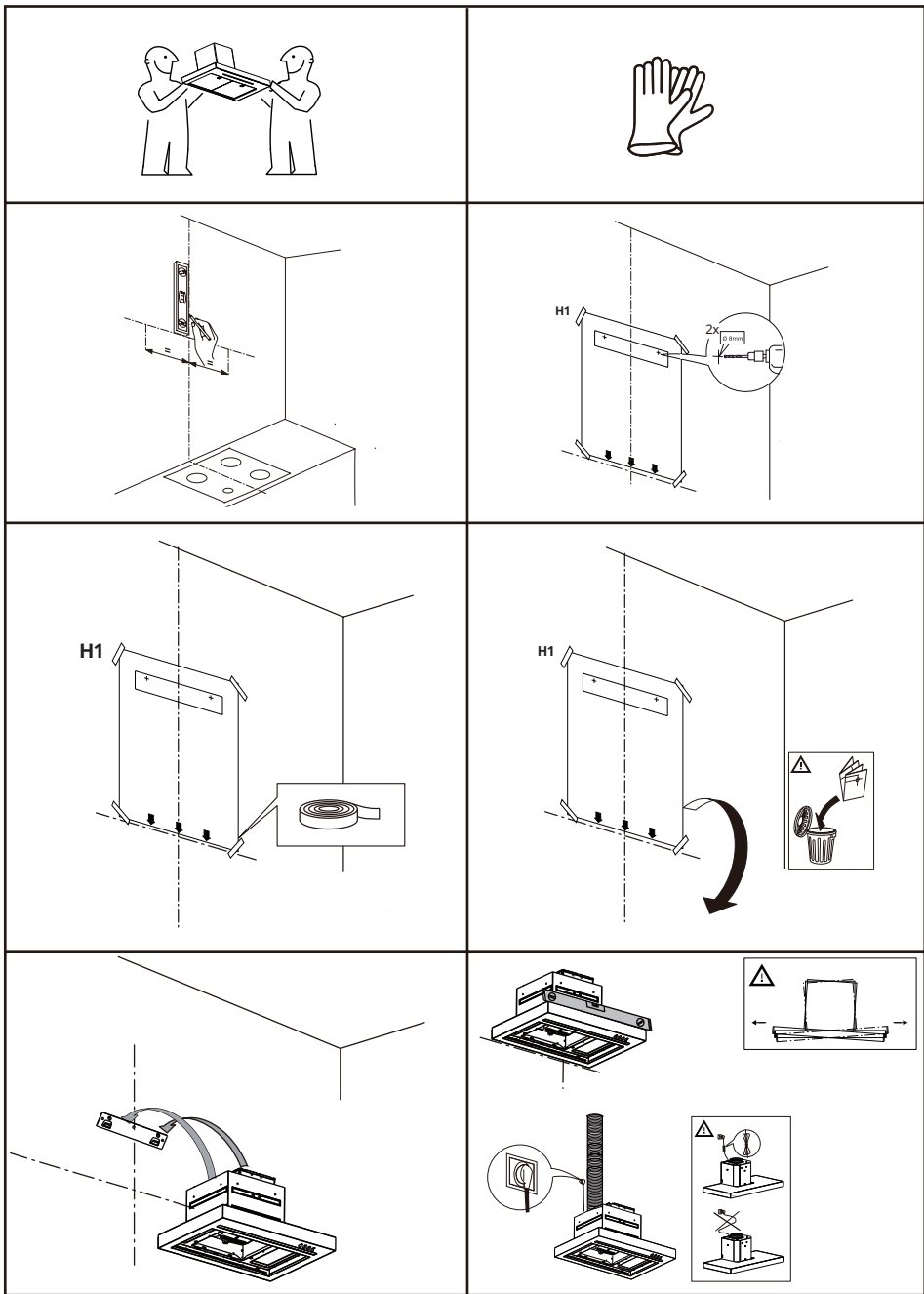


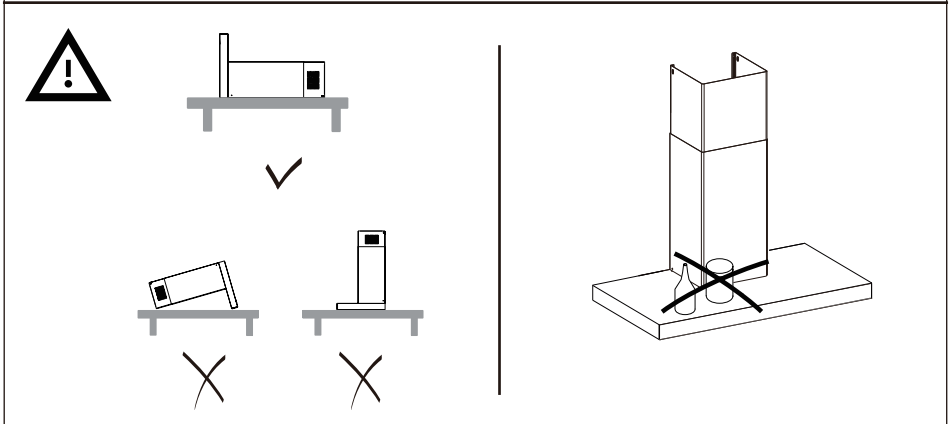
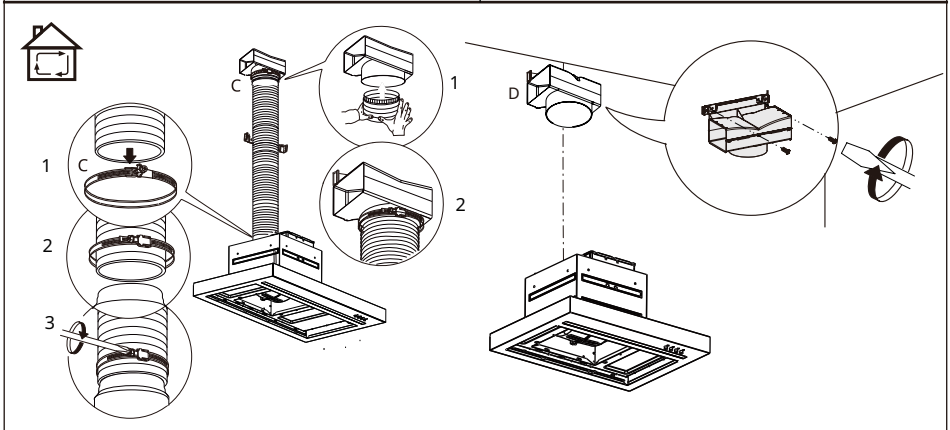
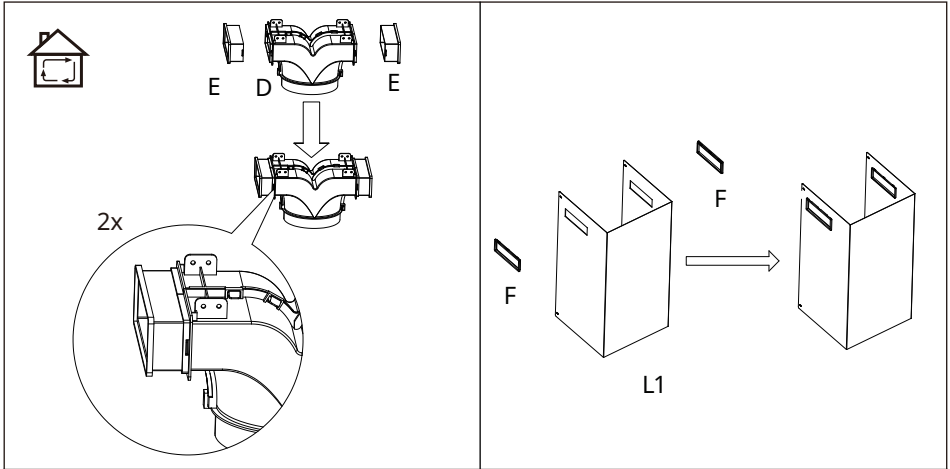
# RULLBO



Design and Quality  
IKEA of Sweden














## Safety information

-  For your safety and correct operation of the appliance, read this manual carefully before installation and use. Look carefully at the warning pictures at the beginning of this manual. For a correct and complete installation, refer to the specific installation manual provided with the product. Always keep these instructions with the appliance even if you move or sell it. Users must fully know the operation and safety features of the appliance.
-  The wire connection has to be done by specialized technician.
- The manufacturer will not be held liable for any damages resulting from incorrect or improper installation.
  - The minimum safety distance between the cooker top and the extractor hood is: for electrical hob 500mm and for gas hob 650mm.
  - If the instructions for installation for the gas hob specify a greater distance, this must be respected.
  - Check that the mains voltage corresponds to that indicated on the rating plate fixed to the inside of the hood.
  - Means for disconnection must be incorporated in the fixed wiring in accordance with the wiring rules.
  - For Class I appliances, check that the domestic power supply guarantees adequate earthing.
  - Connect the extractor to the exhaust flue through a pipe of minimum diameter 150mm. The route of the flue must be as short as possible.
  - Do not connect the extractor hood to exhaust ducts carrying combustion fumes (boilers, fireplaces, etc.).
  - If the extractor is used in conjunction with non-electrical appliances (e.g. gas burning appliances), a sufficient degree of aeration must be guaranteed in the room in order to prevent the backflow of exhaust gas. When the cooker hood is used in conjunction with appliances supplied with energy other than electric, the negative pressure in the room must not exceed 0.04 mbar to prevent fumes being drawn back into the room by the cooker hood.
  - The air must not be discharged into a flue that is used for exhausting fumes from appliances burning gas or other fuels.
  - If the supply cord is damaged, it must be replaced from the manufacturer or its service agent.
  - Connect the plug to a socket complying with current regulations, located in an accessible place.
  - With regards to the technical and safety measures to be adopted for fume discharging it is important to closely follow the regulations provided by the local authorities.
-  **WARNING:** Before installing the Hood, remove the protective films.
- Use only screws and small parts in support of the hood.
-  **WARNING:** Failure to install the screws or fixing device in accordance with these instructions may result in electrical hazards.

- Connect the hood to the power net by using a bipolar switch having a contact gap of at least 3 mm.
  - Do not look directly at the light through optical devices (binoculars, magnifying glasses...).
  - Do not flambe under the range hood; risk of fire.
  - This appliance can be used by children aged from 8 years and above and persons with reduced physical, sensory or mental capabilities or lack of experience and knowledge if they have been given supervision or instruction concerning use of the appliance in a safe way and understand the hazards involved. Children shall not play with the appliance. Cleaning and user maintenance shall not be made by children without supervision.
  - Children should be supervised to ensure that they do not play with the appliance.
  - The appliance is not to be used by persons (including children) with reduced physical, sensory or mental capabilities, or lack of experience and knowledge, unless they have been given supervision or instruction.
-  Accessible parts may become hot when used with cooking appliances.
- Clean and/or replace the Filters after the specified time period (Fire hazard).
  - There shall be adequate ventilation of the room when the range hood is used at the same time as appliances burning gas or other fuels (not applicable to appliances that only discharge the air back into the room)

## Installation

### Installation modes

The hood has been designed to be installed and used either as a "Exhaust mode", or as "Recirculation mode".

### Exhaust mode (see symbol in installation booklet)

Cooking steam is sucked and channelled outside the house through a discharge duct (not supplied), fitted to the hood steam outlet.

Ensure that the discharge duct is correctly fitted to the air outlet, unit using an appropriate connection system.

### Recirculation mode (see symbol in installation booklet)

The air is filtered through one or more the charcoal filters, and then resented in room.

**Important:** Ensure appropriate air circulation around the hood.

**Important:** If the hood is supplied without charcoal filters and installed on recirculation mode, these must be fitted before the hood can be used. Filters are available in shops.

The hood should be installed away from particularly dirty areas, windows, doors and heat sources.

The accessories for wall fixing are not included because wall made of different materials require different types of fixing accessories. Use fixing systems suitable for the walls of your home and the weight of the appliance. For more details, contact a specialized dealer.

Keep this booklet for future consultation.

## Environmental aspects

### Instructions on disposal

#### Your old appliance is an electrical device.



This electrical or electronic equipment is marked with a crossed-out wheeled bin. The equipment may therefore only be collected and returned separately from unsorted municipal waste, i.e. it must not be disposed of with household waste. The equipment can be returned, for example, to a municipal collection point or, if applicable, to a distributor (see below for their take-back obligations in Germany). This also applies to all components, sub-assemblies and consumables of the old equipment to be disposed of.

Before the old equipment may be disposed of all old batteries and old accumulators that are not enclosed by the old equipment must be separated from the old equipment. The same applies to lamps that can be removed from the old equipment without destroying them. The end-user is also responsible for deleting personal data from the old equipment.

#### Notes on recycling



Help recycle all materials marked with this symbol. Do not dispose of such materials, especially packaging, in the household waste but via the relevant containers provided or the appropriate local collection systems.

Help to protect the environment and human health by recycling including waste of electrical and electronic appliances.

## Care and cleaning

### Use

- Switch off or unplug the appliance from the mains supply before carrying out any maintenance work.
- The top of the hood must not be used as a shelf.
- The extractor hood has been designed exclusively for domestic use to eliminate kitchen smells.
- Never use the hood for purposes other than for which it has been designed.
- Never leave high naked flames under the hood when it is in operation.
- Adjust the flame intensity to direct it onto the bottom of the pan only, making sure that it does not engulf the sides.
- Deep fat fryers must be continuously monitored during use: overheated oil can burst into flames.

### Care and cleaning

- Grease filters must be cleaned every 2 months of operation, or more frequently

for particularly heavy usage, in order to avoid a potential fire hazard, and can be washed in a dishwasher.

- Clean the hood using a damp cloth and a neutral liquid detergent.

### Care and cleaning long life Charcoal filter

- The odour filter should be washed and regenerated once a month. The filter will retain its odour-absorbing capacity for three years, after which it must be replaced.

### Regeneration procedure:

- Wash in the dishwasher at the maximum temperature using a normal dishwasher detergent. To prevent food particles or dirt from settling on the filter during washing and causing odours later, it is recommended to wash the filter on its own.
- Dry in an oven at a temperature of 100°C for 10 minutes.

### Replacing the lamps

For Replacement please contact an Authorized Service Center.

## Manufacturer

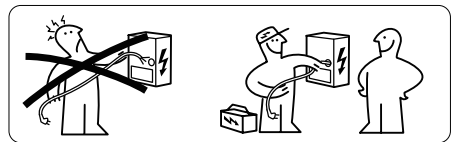
Ikea of Sweden AB - SE - 343 81 Älmhult, Sweden

## Electrical connection

**⚠ WARNING:** All electrical connections must be carried out by an authorised installer.

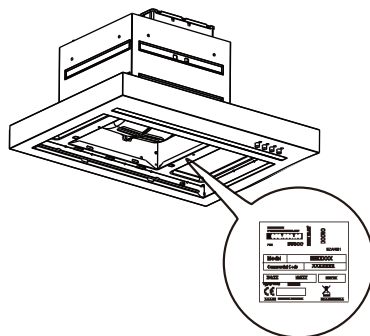
- Before making the connections, check that the rated voltage of the appliance indicated on the respective rating plate corresponds to the power supply voltage.

**⚠ Caution!** Do not weld any of the cables!



## Rating plate

The technical information is situated in the rating plate on the internal side of the appliance. The serial number is indicated on the rating plate.



## IKEA GUARANTEE

### How long is the IKEA guarantee valid?

This guarantee is valid for five (5) years from the original date of purchase of your appliance at IKEA. The original sales receipt is required as proof of purchase. If service work is carried out under guarantee, this will not extend the guarantee period for the appliance.

### Who will execute the service?

IKEA service provider will provide the service through its own service operations or authorized service partner network.

### What does this guarantee cover?

The guarantee covers faults of the appliance, which have been caused by faulty construction or material faults from the date of purchase from IKEA. This guarantee applies to domestic use only. The exceptions are specified under the headline "What is not covered under this guarantee?" Within the guarantee period, the costs to remedy the fault e.g. repairs, parts, labor and travel will be covered, provided that the appliance is accessible for repair without special expenditure. On these conditions the EU guidelines (DIRECTIVE(EU)2019/771) and the respective local regulations are applicable. Replaced parts become the property of IKEA.

### What will IKEA do to correct the problem?

IKEA designated service provider will examine the product and decide, at its sole discretion, if it is covered under this guarantee. If considered covered, IKEA service provider or its authorized service partner through its own service operations, will then, at its sole discretion, either

repair the defective product or replace it with the same or a comparable product.

### What is not covered under this guarantee?

- Normal wear and tear.
- Deliberate or negligent damage, damage caused by failure to observe operating instructions, incorrect installation or by connection to the wrong voltage, damage caused by chemical or electro-chemical reaction, rust, corrosion or water damage including but not limited to damage caused by excessive lime in the water supply, damage caused by abnormal environmental conditions.
- Consumable parts including batteries and lamps.
- Non-functional and decorative parts which do not affect normal use of the appliance, including any scratches and possible color differences.
- Accidental damage caused by foreign objects or substances and cleaning or unblocking of filters, drainage systems or soap drawers.
- Damage to the following parts: ceramic glass, accessories, crockery and cutlery baskets, feed and drainage pipes, seals, lamps and lamp covers, screens, knobs, casings and parts of casings. Unless such damages can be proved to have been caused by production faults.
- Cases where no fault could be found during a technician's visit.
- Repairs not carried out by our appointed service providers and/or an authorized

service contractual partner or where non-original parts have been used.

- Repairs caused by installation which is faulty or not according to specification.
- The use of the appliance in a non-domestic environment, professional use.
- Transportation damages. If a customer transports the product to their home or other address, IKEA is not liable for any damage that may occur during transport. However, if IKEA delivers the product to the customer's delivery address, then damage to the product that occurs during this delivery will be covered by this guarantee.
- Cost for carrying out the initial installation of the IKEA appliance. However, if an IKEA service provider or its authorized service partner repairs or replaces the appliance under the terms of this guarantee, the service provider or its authorized service partner will re-install the repaired appliance or install the replacement, if necessary.

This restriction do not apply to fault-free work carried out by a qualified specialist using our original parts in order to adapt the appliance to the technical safety specifications of another EU country.

### How country law applies

The IKEA guarantee gives You specific legal rights which cover or exceed local demands. However these conditions do not limit in any way your rights described in the local legislation.

### Area of validity

This guarantee applies to appliances used in one EU country and taken to another EU country, the appliances will be repaired or replaced in the framework of the guarantee conditions normal in the new country. An obligation to carry out services in the framework of the guarantee exists only if the appliance complies and is installed in accordance with:

- the technical specifications of the country in which you claim your guarantee rights;
- the Assembly Instructions and User Manual Safety Information.

### The dedicated After Sales Service for IKEA appliances:

Please do not hesitate to contact IKEA After Sales Service to:

1. make a service request under this guarantee;

2. ask for clarification on installation of the IKEA appliance in the dedicated IKEA kitchen furniture. The service won't provide clarifications related to:
  - the overall IKEA kitchen installation;
  - connection to electricity (if machines do not have a cable), to water and to gas since these must be carried out by an authorized service engineer.
3. ask for clarification on user manual contents and specifications of the IKEA appliance.

To ensure that we provide you with the best assistance, please read carefully the Assembly Instructions and/or the User Manual section of this booklet before contacting us.

### How to reach us if You need our service



Please refer to the last page of this manual for the full list of IKEA appointed contacts and relative national phone numbers.


**Important!** In order to provide You with a quicker service, we recommend that You use the specific phone numbers listed at the end of this manual. Always refer to the numbers listed in the booklet of the specific appliance You need an assistance for. When calling us, ensure that You have to hand the IKEA article number (8 digit code) for the appliance of which you need our assistance.


**Important! SAVE THE SALES RECEIPT!** It is Your proof of purchase and required for the guarantee to apply. Note that the receipt reports also the IKEA article number (8 digit code) for each of the appliances you have purchased.

### Do you need extra help?

For any additional questions not related to After Sales Service of appliances, please contact our nearest IKEA store call centre. We recommend you read the appliance documentation carefully before contacting us.

## Πληροφορίες ασφαλείας

 Για την ασφάλειά σας και τη σωστή χρήση της συσκευής, διαβάστε προσεκτικά αυτό το εγχειρίδιο πριν από την εγκατάσταση και τη χρήση. Μελετήστε προσεκτικά τις προειδοποιητικές εικόνες στην αρχή αυτού του εγχειριδίου. Για σωστή και πλήρη εγκατάσταση, ανατρέξτε στο ειδικό εγχειρίδιο εγκατάστασης που παρέχεται με το προϊόν. Αποθηκεύστε αυτές τις οδηγίες μαζί με τη συσκευή, ακόμη κι όταν τη μεταφέρετε ή την πουλήσετε. Οι χρήστες πρέπει να γνωρίζουν πλήρως τη λειτουργία και τα χαρακτηριστικά ασφαλείας της συσκευής.

 Η σύνδεση των καλωδίων πρέπει να γίνεται από εξειδικευμένο τεχνικό.

- Ο κατασκευαστής δεν φέρει καμία ευθύνη για τυχόν ζημιές που προκύπτουν από λανθασμένη ή ακατάλληλη εγκατάσταση.
- Η ελάχιστη απόσταση ασφαλείας μεταξύ της εστίας και του απορροφητήρα είναι: για ηλεκτρική εστία 500 mm και για εστία αερίου 650 mm.
- Εάν οι οδηγίες για την εγκατάσταση της εστίας αερίου ορίζουν μεγαλύτερη απόσταση, θα πρέπει να τηρούνται.
- Βεβαιωθείτε ότι η τάση του δικτύου αντιστοιχεί σε αυτήν που αναγράφεται στην πινακίδα χαρακτηριστικών που είναι τοποθετημένη στο εσωτερικό του απορροφητήρα.
- Τα μέσα αποσύνδεσης πρέπει να είναι ενσωματωμένα στη σταθερή καλωδίωση, σύμφωνα με τους κανόνες συνδεσμολογίας.
- Για συσκευές κλάσης I, βεβαιωθείτε ότι η οικιακή παροχή ρεύματος εξασφαλίζει επαρκή γείωση.
- Συνδέστε τον απορροφητήρα στον αγωγό αναρρόφησης μέσω σωλήνα διαμέτρου τουλάχιστον 150 mm. Η διαδρομή του αγωγού πρέπει να είναι όσο το δυνατόν συντομότερη.
- Μην συνδέετε τον απορροφητήρα σε αγωγούς αναρρόφησης καυσαερίων (λέβητες, τζάκια κ.λπ.).
- Εάν ο απορροφητήρας χρησιμοποιείται σε συνδυασμό με μη ηλεκτρικές συσκευές (π.χ. συσκευές που λειτουργούν με αέριο), πρέπει να εξασφαλίζεται επαρκής αερισμός του χώρου, ώστε να αποφεύγεται τυχόν αντίστροφη ροή των καυσαερίων. Όταν ο απορροφητήρας χρησιμοποιείται σε συνδυασμό με συσκευές που τροφοδοτούνται με άλλο είδος ενέργειας εκτός της ηλεκτρικής, η αρνητική πίεση στο δωμάτιο δεν πρέπει να υπερβαίνει τα 0,04 mbar, προκειμένου να αποφευχθεί τυχόν επιστροφή των καυσαερίων στο δωμάτιο από τον απορροφητήρα.
- Ο αέρας δεν πρέπει να διοχετεύεται σε καπνοδόχο που χρησιμοποιείται για την εξαγωγή καπνών από συσκευές που καίνε αέριο ή άλλα καύσιμα.
- Σε περίπτωση φθοράς του καλωδίου τροφοδοσίας, απευθυνθείτε στον κατασκευαστή ή σε έναν ειδικευμένο τεχνικό για την αντικατάστασή του.
- Συνδέστε το φις σε πρίζα που πληροί τους ισχύοντες κανονισμούς και βρίσκεται σε προσβάσιμο σημείο.

- Όσον αφορά τις τεχνικές και μέτρα ασφαλείας που πρέπει να ληφθούν για την απομάκρυνση αναθυμιάσεων, είναι σημαντικό να ακολουθούνται οι κανονισμοί που προβλέπονται από τις τοπικές αρχές.

**⚠ ΠΡΟΕΙΔΟΠΟΙΗΣΗ:** Πριν από την εγκατάσταση του απορροφητήρα, αφαιρέστε τις προστατευτικές μεμβράνες.

- Χρησιμοποιείτε μόνο βίδες και μικρά εξαρτήματα για τη στήριξη του απορροφητήρα.

**⚠ ΠΡΟΕΙΔΟΠΟΙΗΣΗ:** Η μη σωστή τοποθέτηση των βιδών ή της διάταξης στερέωσης σύμφωνα με τις παρούσες οδηγίες ενδέχεται να προκαλέσει ηλεκτρικούς κινδύνους.

- Συνδέστε τον απορροφητήρα στο δίκτυο ρεύματος χρησιμοποιώντας έναν διακόπτη δύο πόλων με απόσταση επαφής τουλάχιστον 3 mm.
- Μην κοιτάζετε απευθείας το φως μέσω οπτικών συσκευών (κιάλια, μεγεθυντικοί φακοί...).
- Μην μαγειρεύετε φλαμπέ κάτω από τον απορροφητήρα- κίνδυνος πυρκαγιάς.
- Η παρούσα συσκευή μπορεί να χρησιμοποιηθεί από παιδιά ηλικίας 8 ετών και άνω και από άτομα με μειωμένες σωματικές, αισθητηριακές ή πνευματικές δυνατότητες ή έλλειψη εμπειρίας και γνώσης, εφόσον επιβλέπονται ή έχουν λάβει οδηγίες σχετικά με τη χρήση της συσκευής με ασφαλή τρόπο και κατανοούν τους κινδύνους που ενέχονται. Τα παιδιά δεν πρέπει να παίζουν με τη συσκευή. Ο καθαρισμός και η

συντήρηση από τον χρήστη δεν πρέπει να πραγματοποιούνται από παιδιά χωρίς επίβλεψη.

- Τα παιδιά πρέπει να παρακολουθούνται για να μην παίζουν με τη συσκευή.
- Η συσκευή δεν πρέπει να χρησιμοποιείται από άτομα (συμπεριλαμβανομένων των παιδιών) με μειωμένες σωματικές, αισθητηριακές ή διανοητικές ικανότητες ή με έλλειψη εμπειρίας και γνώσεων, εκτός εάν βρίσκονται υπό επίτηρηση ή έχουν λάβει σχετικές οδηγίες.

**⚠** Τα προσβάσιμα μέρη μπορεί να θερμανθούν πολύ κατά τη διάρκεια της χρήσης με συσκευές μαγειρικής.

- Καθαρίστε ή/και αντικαταστήστε τα φίλτρα μετά την καθορισμένη χρονική περίοδο (κίνδυνος πυρκαγιάς).
- Ο χώρος πρέπει να αερίζεται επαρκώς όταν ο απορροφητήρας χρησιμοποιείται ταυτόχρονα με συσκευές που καίνε αέριο ή άλλα καύσιμα (δεν ισχύει για συσκευές που εξαγουν τον αέρα μόνο στο δωμάτιο)

## Εγκατάσταση

### Τρόποι εγκατάστασης

Ο απορροφητήρας έχει σχεδιαστεί για εγκατάσταση και χρήση είτε σε «λειτουργία αναρρόφησης» είτε σε «λειτουργία ανακυκλοφορίας».

### Λειτουργία αναρρόφησης (βλ. σύμβολο

 στο εγχειρίδιο εγκατάστασης)

Ο ατμός από το μαγείρεμα απορροφάται και διοχετεύεται έξω από το σπίτι μέσω ενός αγωγού εξαγωγής (δεν παρέχεται), που είναι τοποθετημένος στην έξοδο ατμού του απορροφητήρα.

Βεβαιωθείτε ότι ο αγωγός εξαγωγής είναι σωστά τοποθετημένος στην έξοδο αέρα της συσκευής χρησιμοποιώντας ένα κατάλληλο σύστημα σύνδεσης.

### Λειτουργία ανακυκλοφορίας (βλ. σύμβολο

 στο εγχειρίδιο εγκατάστασης)

Ο αέρας φιλτράρεται μέσω ενός ή περισσότερων φίλτρων άνθρακα και, στη συνέχεια, επιστρέφει στο δωμάτιο.

**Σημαντικό:** Εξασφαλίστε την κατάλληλη κυκλοφορία του αέρα γύρω από τον απορροφητήρα.

**Σημαντικό:** Εάν ο απορροφητήρας παρέχεται χωρίς φίλτρα άνθρακα και είναι εγκατεστημένος σε λειτουργία ανακυκλοφορίας, αυτά πρέπει να τοποθετηθούν πριν από τη χρήση του απορροφητήρα. Τα φίλτρα διατίθενται στο εμπόριο.

Ο απορροφητήρας πρέπει να εγκατασταθεί μακριά από ιδιαίτερα βρώμικες περιοχές, παράθυρα, πόρτες και πηγές θερμότητας.

Τα εξαρτήματα για την τοποθέτηση σε τοίχο δεν περιλαμβάνονται, επειδή οι τοίχοι από διαφορετικά υλικά απαιτούν διαφορετικούς τύπους εξαρτημάτων στερέωσης.

Χρησιμοποιήστε συστήματα στερέωσης κατάλληλα για τους τοίχους του σπιτιού σας και το βάρος της συσκευής. Για περισσότερες λεπτομέρειες, επικοινωνήστε με έναν εξειδικευμένο αντιπρόσωπο.

Φυλάξτε αυτό το εγχειρίδιο για μελλοντική χρήση.

## Περιβαλλοντικά θέματα

### Οδηγίες σχετικά με τη διάθεση

**Η παλιά σας συσκευή είναι μια ηλεκτρική συσκευή.**



Αυτός ο ηλεκτρικός ή ηλεκτρονικός εξοπλισμός φέρει τη σήμανση ενός διαγραμμένου κάδου με ρόδες. Επομένως, ο εξοπλισμός μπορεί να συλλεχθεί και να επιστραφεί μόνο ξεχωριστά από τα κοινά αστικά απορρίμματα, δηλαδή δεν πρέπει να απορρίπτεται μαζί με τα οικιακά απορρίμματα. Ο εξοπλισμός μπορεί να επιστραφεί, για παράδειγμα, σε ένα δημοτικό σημείο συλλογής ή, κατά περίπτωση, σε έναν διανομέα (βλ. παρακάτω για τις υποχρεώσεις επιστροφής στη Γερμανία). Αυτό ισχύει επίσης για όλα τα εξαρτήματα, υποσυστήματα και αναλώσιμα του εξοπλισμού που πρόκειται να απορριφθεί.

Πριν από την απόρριψη του παλιού εξοπλισμού, όλες οι παλιές μπαταρίες και οι παλιοί συσσωρευτές που δεν είναι

ενσωματωμένοι στον εξοπλισμό πρέπει να διαχωριστούν από τον εξοπλισμό. Το ίδιο ισχύει για τους λαμπτήρες που μπορούν να αφαιρεθούν από τον εξοπλισμό χωρίς να καταστραφούν. Ο τελικός χρήστης είναι επίσης υπεύθυνος για τη διαγραφή των προσωπικών δεδομένων από τον εξοπλισμό.

### Σημειώσεις σχετικά με την ανακύκλωση



Βοηθήστε στην ανακύκλωση όλων των υλικών που φέρουν αυτό το σύμβολο. Μην απορρίπτετε τέτοια υλικά, ιδίως τις συσκευασίες, στα οικιακά απορρίμματα, αλλά απορρίπτετέ τα στους σχετικούς κάδους ή σε κατάλληλα τοπικά συστήματα συλλογής.

Συμβάλετε στην προστασία του περιβάλλοντος και της ανθρώπινης υγείας ανακυκλώνοντας, συμπεριλαμβανομένης της ανακύκλωσης άχρηστων ηλεκτρικών και ηλεκτρονικών συσκευών.

## Φροντίδα και καθαρισμός

### Χρήση

- Απενεργοποιήστε ή αποσυνδέστε τη συσκευή από την παροχή ρεύματος πριν από την εκτέλεση οποιασδήποτε εργασίας συντήρησης.
- Το πάνω μέρος του απορροφητήρα δεν πρέπει να χρησιμοποιείται ως ράφι.
- Ο απορροφητήρας έχει σχεδιαστεί αποκλειστικά για οικιακή χρήση για εξάλειψη των οσμών από την κουζίνα.
- Μην χρησιμοποιείτε ποτέ τον απορροφητήρα για σκοπούς άλλους από εκείνους για τους οποίους έχει σχεδιαστεί.
- Μην αφήνετε ποτέ γυμνές φλόγες κάτω από τον απορροφητήρα όταν βρίσκεται σε λειτουργία.
- Ρυθμίστε την ένταση της φλόγας ώστε να κατευθύνεται μόνο στον πάτο του σκεύους, φροντίζοντας να μην φτάνει τα πλαϊνά.
- Οι φριτέζες πρέπει να παρακολουθούνται συνεχώς κατά τη χρήση: εάν το λάδι υπερθερμανθεί ενδέχεται να αναφλεγεί.

### Φροντίδα και καθαρισμός

- Τα φίλτρα λίπους πρέπει να καθαρίζονται κάθε 2 μήνες λειτουργίας ή πιο συχνά σε περίπτωση ιδιαίτερα εντατικής χρήσης, προκειμένου να αποφευχθεί ο κίνδυνος

πυρκαγιάς, ενώ μπορούν να πλυθούν στο πλυντήριο πιάτων.

- Καθαρίστε τον απορροφητήρα με ένα υγρό πανί και ένα ουδέτερο υγρό απορρυπαντικό.

### Φροντίδα και καθαρισμός φίλτρου άνθρακα μακράς διάρκειας

- Το φίλτρο οσμών πρέπει να πλένεται και να ανανεώνεται μία φορά τον μήνα. Το φίλτρο διατηρεί την ικανότητα απορρόφησης οσμών για τρία χρόνια και, στη συνέχεια, πρέπει να αντικατασταθεί.

### Διαδικασία ανανέωσης:

- Πλύνετε στο πλυντήριο πιάτων στη μέγιστη θερμοκρασία χρησιμοποιώντας ένα κανονικό απορρυπαντικό πλυντηρίου πιάτων. Προκειμένου να αποφύγετε την εναπόθεση υπολειμμάτων τροφών ή ακαθαρσιών στο φίλτρο κατά το πλύσιμο και την μετέπειτα πρόκληση οσμών, συνιστάται να πλένετε το φίλτρο μόνο του.
- Στεγνώστε σε φούρνο σε θερμοκρασία 100 °C για 10 λεπτά.

### Αντικατάσταση των λαμπτήρων

Για αντικατάσταση, επικοινωνήστε με ένα εξουσιοδοτημένο κέντρο εξυπηρέτησης.

## Κατασκευαστής

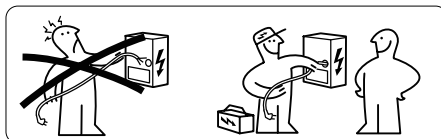
Ikea of Sweden AB - SE - 343 81 Älmhult, Sweden

## Ηλεκτρική σύνδεση

**⚠ ΠΡΟΕΙΔΟΠΟΙΗΣΗ:**  
Όλες οι ηλεκτρικές συνδέσεις πρέπει να πραγματοποιούνται από εξουσιοδοτημένο τεχνικό εγκατάστασης.

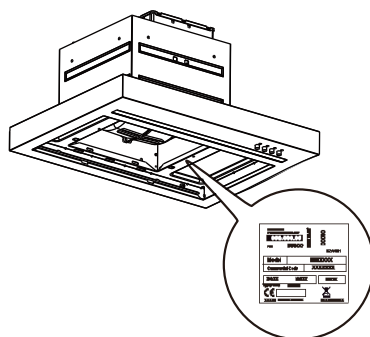
- Πριν από τη σύνδεση, βεβαιωθείτε ότι η ονομαστική τάση της συσκευής που αναγράφεται στην αντίστοιχη πινακίδα τεχνικών χαρακτηριστικών αντιστοιχεί στην τάση τροφοδοσίας ισχύος.

**⚠ Προσοχή!** Μην συγκολλάτε τα καλώδια!



## Πινακίδα χαρακτηριστικών

Οι τεχνικές πληροφορίες βρίσκονται στην πινακίδα τεχνικών χαρακτηριστικών στο εσωτερικό της συσκευής. Ο σειριακός αριθμός αναφέρεται στην πινακίδα τύπου.



## ΕΓΓΥΗΣΗ ΙΚΕΑ

**Για πόσο διάστημα ισχύει η εγγύηση της ΙΚΕΑ;**

Αυτή η εγγύηση ισχύει για πέντε (5) χρόνια από την αρχική ημερομηνία αγοράς της συσκευής σας από την ΙΚΕΑ. Απαιτείται η πρωτότυπη απόδειξη αγοράς ως αποδεικτικό στοιχείο. Εάν εκτελεστούν εργασίες σέρβις εντός εγγύησης, δε θα επεκταθεί το χρονικό διάστημα της εγγύησης για τη συσκευή.

**Ποιος εκτελεί τις εργασίες επισκευής;**

Ο πάροχος τεχνικής εξυπηρέτησης της ΙΚΕΑ θα μεριμνήσει για την επισκευή μέσω του εξουσιοδοτημένου δικτύου συνεργατών τεχνικής εξυπηρέτησης.

**Ποιες περιπτώσεις καλύπτονται από την συγκεκριμένη εγγύηση;**

Η εγγύηση καλύπτει βλάβες της συσκευής που προκλήθηκαν από εσφαλμένη κατασκευή ή από αστοχίες υλικού από την ημερομηνία αγοράς από την ΙΚΕΑ. Η εγγύηση αυτή ισχύει μόνο για οικιακή χρήση. Οι εξαιρέσεις αναγράφονται κάτω από την επικεφαλίδα «Τι δεν καλύπτεται από την εγγύηση;» Κατά τη διάρκεια ισχύος της εγγύησης, καλύπτεται το κόστος αποκατάστασης της βλάβης, π.χ. επισκευές, εξαρτήματα, εργατικά και μετακινήσεις, εφόσον για την επισκευή της συσκευής δεν απαιτούνται ειδικές δαπάνες. Υπό αυτές τις προϋποθέσεις εφαρμόζονται οι οδηγίες της ΕΕ (ΟΔΗΓΙΑ (ΕΕ) 2019/771) και οι αντίστοιχες εθνικές

διατάξεις. Τα εξαρτήματα που αντικαθίστανται περιέχονται στην κατοχή της IKEA.

### Τι θα κάνει η IKEA για να διορθώσει το πρόβλημα;

Ο πάροχος τεχνικής εξυπηρέτησης της IKEA θα εξετάσει το προϊόν και θα αποφασίσει, κατά την αποκλειστική διακριτική του ευχέρεια, αν καλύπτεται από την παρούσα εγγύηση. Εφόσον αυτό κριθεί ότι καλύπτεται, ο πάροχος τεχνικής εξυπηρέτησης της IKEA ή ο εξουσιοδοτημένος συνεργάτης τεχνικής εξυπηρέτησης, θα προβεί στη συνέχεια, κατά την αποκλειστική διακριτική του ευχέρεια, είτε στην επισκευή του προβληματικού προϊόντος, είτε στην αντικατάστασή του με άλλο ίδιο ή αντίστοιχο προϊόν.

### Τι δεν καλύπτεται από την εγγύηση;

- Φυσιολογική φθορά.
- Βλάβη από πρόθεση ή αμέλεια, βλάβη που οφείλεται σε μη τήρηση των οδηγιών λειτουργίας, εσφαλμένη εγκατάσταση ή σύνδεση σε ακατάλληλη τάση, βλάβη που οφείλεται σε χημική ή ηλεκτροχημική αντίδραση, σκουριά, διάβρωση ή βλάβη λόγω του νερού, συμπεριλαμβανομένης, ενδεικτικά, βλάβης λόγω υπερβολικής συσσώρευσης αλάτων στην παροχή νερού, καθώς και βλάβη που οφείλεται σε μη φυσιολογικές περιβαλλοντικές συνθήκες.
- Αναλώσιμα εξαρτήματα, συμπεριλαμβανομένων μπαταριών και λαμπτήρων.
- Τα μη λειτουργικά ή τα διακοσμητικά εξαρτήματα που δεν επηρεάζουν την κανονική χρήση της συσκευής, συμπεριλαμβανομένων των γρατζουνιών και των πιθανών δυσχρωμιών.
- Τυχαιά βλάβη που προκαλείται από ξένα σωματίδια ή ουσίες, καθώς και βλάβη που οφείλεται στον καθαρισμό ή την απόφραξη φίλτρων, συστημάτων αποστράγγισης ή θηκών απορρυπαντικού.
- Ζημιές στα παρακάτω εξαρτήματα: υαλοκεραμικές επιφάνειες, πρόσθετα εξαρτήματα, σκέυη και καλάθια μαχαροπίρουνων, σωλήνες παροχής και αποστράγγισης, λάστιχα στεγανοποίησης, λαμπτήρες και καλύμματα λαμπτήρων, οθόνες, διακόπτες, περιβλήματα και τμήματα περιβλημάτων. Εκτός εάν αυτές οι ζημιές αποδεχτεί πως έχουν προκληθεί από ελαττωματική λειτουργία του προϊόντος.
- Οι περιπτώσεις όπου δεν διαπιστώθηκε πρόβλημα κατά την επίσκεψη του τεχνικού.
- Οι επισκευές που δεν πραγματοποιήθηκαν

- από εξουσιοδοτημένους και/ή από αντισυμβαλλόμενους τεχνικούς παροχής υπηρεσιών σέρβις, ή όταν έχουν χρησιμοποιηθεί μη γνήσια ανταλλακτικά.
- Επισκευές λόγω εσφαλμένης εγκατάστασης ή εγκατάστασης που δεν πληρεί τις προδιαγραφές.
- Η χρήση της συσκευής σε μη οικιακό περιβάλλον ή για επαγγελματική χρήση.
- Ζημιές κατά τη μεταφορά. Εάν ένας πελάτης μεταφέρει το προϊόν στο σπίτι του ή σε άλλη διεύθυνση, η IKEA δεν είναι υπεύθυνη για τυχόν ζημιές που θα προκληθούν κατά τη μεταφορά. Ωστόσο, εάν η IKEA μεταφέρει το προϊόν στη διεύθυνση παράδοσης του πελάτη, τότε τυχόν ζημιές που θα προκληθούν στο προϊόν κατά τη μεταφορά καλύπτονται από την παρούσα εγγύηση.
- Το κόστος για την αρχική εγκατάσταση της συσκευής IKEA. Ωστόσο, εάν ο πάροχος τεχνικής εξυπηρέτησης της IKEA ή ο εξουσιοδοτημένος συνεργάτης υπηρεσιών επισκευής επισκευάσει ή αντικαταστήσει τη συσκευή βάσει των όρων της παρούσας εγγύησης, ο πάροχος τεχνικής εξυπηρέτησης ή ο εξουσιοδοτημένος συνεργάτης υπηρεσιών επισκευής θα εγκαταστήσει ξανά την επισκευασμένη συσκευή ή θα εγκαταστήσει τη συσκευή αντικατάστασης, εάν απαιτείται.

Αυτός ο περιορισμός δεν ισχύει σε περίπτωση εργασιών, χωρίς τεχνικό πρόβλημα, από εξουσιοδοτημένο ειδικό, ο οποίος χρησιμοποιεί δικά μας γνήσια ανταλλακτικά για να προσαρμόσει τη συσκευή στις τεχνικές προδιαγραφές ασφάλειας άλλης χώρας της ΕΕ.

### Πώς εφαρμόζεται η εθνική νομοθεσία

Η εγγύηση της IKEA σάς παραχωρεί ιδιαίτερα νομικά δικαιώματα, τα οποία καλύπτουν ή υπερκαλύπτουν όλες τις εθνικές νομικές απαιτήσεις. Ωστόσο αυτές οι προϋποθέσεις δεν περιορίζουν με κανένα τρόπο τα δικαιώματά σας που περιγράφονται στην τοπική νομοθεσία.

### Περιοχή ισχύος

Αυτή η εγγύηση ισχύει για συσκευές που χρησιμοποιούνται σε μια χώρα της ΕΕ και, εφόσον μεταφερθούν σε άλλη χώρα της ΕΕ, οι συσκευές θα επισκευαστούν ή θα αντικατασταθούν στο πλαίσιο των όρων εγγύησης που ισχύουν στη νέα χώρα. Η εκτέλεση των υπηρεσιών επισκευής στο πλαίσιο της εγγύησης είναι υποχρεωτική, μόνο εάν η συσκευή συμμορφώνεται και έχει εγκατασταθεί σύμφωνα με:

- τις τεχνικές προδιαγραφές της χώρας στην οποία διεκδικείτε τα δικαιώματα εγγύησης.
- τις Οδηγίες συναρμολόγησης και τις Πληροφορίες ασφάλειας του εγχειριδίου χρήσης.

### **Αποκλειστική υπηρεσία εξυπηρέτησης μετά την πώληση για συσκευές ΙΚΕΑ:**

Μη διστάσετε να επικοινωνήσετε με την υπηρεσία εξυπηρέτησης μετά την πώληση της ΙΚΕΑ για να κάνετε τα εξής:

1. να υποβάλετε αίτημα εργασιών στο πλαίσιο της εγγύησης,
2. να ζητήσετε διευκρινίσεις για την εγκατάσταση της συσκευής ΙΚΕΑ στο έπιπλο κουζίνας ΙΚΕΑ. Η τεχνική εξυπηρέτηση δε θα παράσχει διευκρινίσεις σχετικά με τα ακόλουθα:
  - τη συνολική εγκατάσταση της κουζίνας της ΙΚΕΑ,
  - τις συνδέσεις στις παροχές ρεύματος (εφόσον η συσκευή δεν έχει καλώδιο), νερού και αερίου, καθώς αυτές πρέπει να εκτελούνται από εξουσιοδοτημένο τεχνικό προσωπικό.
3. διευκρινίσεις για το εγχειρίδιο χρήστη και για τις προδιαγραφές της συσκευής της ΙΚΕΑ.

Για να εξασφαλιστεί ότι σας παρέχουμε την καλύτερη δυνατή υποστήριξη, παρακαλούμε διαβάστε προσεκτικά τις Οδηγίες συναρμολόγησης και/ή την σχετική ενότητα του παρόντος Εγχειριδίου χρήστη προτού επικοινωνήσετε μαζί μας.

### **Πώς να επικοινωνήσετε μαζί μας αν χρειαστείτε τις υπηρεσίες μας**



Ανατρέξτε στην τελευταία σελίδα του παρόντος εγχειριδίου για μια πλήρη λίστα των επιλεγμένων παρόχων τεχνικής εξυπηρέτησης της ΙΚΕΑ και των σχετικών τηλεφωνικών αριθμών σε κάθε χώρα.

**Σημαντικό!** Προκειμένου να σας προσφέρουμε γρήγορη εξυπηρέτηση, συνιστούμε να χρησιμοποιείτε τους αριθμούς τηλεφώνου που αναγράφονται στο τέλος του παρόντος εγχειριδίου. Πάντα να ανατρέχετε στους αριθμούς που αναγράφονται στο φυλλάδιο της εκάστοτε συσκευής για την οποία χρειάζεστε βοήθεια. Όταν μας καλείτε, βεβαιωθείτε ότι έχετε τον αριθμό είδους ΙΚΕΑ (8ψήφιος κωδικός) της συσκευής για την οποία χρειάζεστε τη βοήθειά μας.

### **Σημαντικό! ΦΥΛΑΞΤΕ ΤΗΝ ΑΠΟΔΕΙΞΗ ΑΓΟΡΑΣ!**

Αποτελεί αποδεικτικό αγοράς και είναι απαραίτητη ώστε να ισχύει η εγγύηση. Μην ξεχνάτε ότι η απόδειξη αναγράφει επίσης τον αριθμό είδους ΙΚΕΑ (8ψήφιος κωδικός) για κάθε μία από τις συσκευές που αγοράσατε.

### **Χρειάζεστε περισσότερη βοήθεια;**

Για επιπλέον ερωτήσεις που δεν αφορούν την εξυπηρέτηση μετά την πώληση για συσκευές, επικοινωνήστε με το τηλεφωνικό κέντρο του πλησιέστερου καταστήματος ΙΚΕΑ. Συνιστάται να διαβάσετε προσεκτικά το εγχειρίδιο της συσκευής πριν επικοινωνήσετε μαζί μας.

Country	Phone Number	Call Fee	Opening Time (Mon-Fri)
Deutschland	08007242420	Kostenlos	8am - 5pm
France	0805543333	Gratuit	8.30 am - 7.00 pm (lun-ven) 8.30 am - 1.00 pm (sam)
Italia	800130373	Gratuito	9am-6pm
España	900822398	Gratis	9am-6pm
Ελλάδα	0080044146128	Χωρίς χρέωση	9am-6pm
България	0 700 10 218	Безплатно	9.00 - 18.00 ч. (пон. - пет.)
Nederland	Local(within NL): 050-7111267 International: +31 507111267	Gratis	Ma-Vr 8-20, Za 9-20
Sverige	0775700500	Kostnadsfritt	mån-fre 8.30 - 20.00 lör-sön 9.30 - 18.00
Österreich	0800909626	Kostenlos	9am-5pm
België	080080159	Gratis	9am-5pm
Belgique		Gratuit	9am-5pm
Luxembourg		Gratuit	9am-5pm
Danmark	70 15 09 09	Gratis	man. - fre. 09.00 - 20.00 lør. - søn. 09.00 - 18.00
Norge	80031407	Gratis	9.00 am - 4.00 pm
Polska	800012088	Bezpłatne	9am-5pm
Portugal	800210151	Gratuita	9am-6pm
Česká republika	800050717	Zdarma	9am-5pm
Suomi	0800302588	Maksuton	9.00 am - 4.00 pm
Magyarország	0680984517	Ingyenes	9am-5pm
Россия	88005510448	Бесплатно	9am-6pm
Slovensko	0800160182	Bezpłatne	9.00 - 18.00 (pondelok - piatok)
Latvija	80000037	Bezmaksas	9.00 - 18.00 (P - Pk)
Eesti	8000044841	Tasuta	9.00 - 18.00 (E-R)
Lietuva	880030167	Nemokamai	9.00 - 18.00 (Pr-Pn)
United Kingdom	08009175827	free	9am till 5pm
Ireland		free	9am till 5pm
Schweiz	0800110344	Kostenlos	8am - 5pm
Suisse		Gratuit	8am - 5pm
Svizzera		Gratuito	8am - 5pm
Србија	IKEA.com	Besplatno	
Ísland	IKEA.com	Ókeypis	
România	IKEA.com	Gratuit	
Hrvatska	IKEA.com	Ne naplaćuje se	
Slovenija	IKEA.com	Brezplačno	
Tenerife	IKEA.com	Gratis	

