

LAGAN

en
gr



Design and Quality
IKEA of Sweden

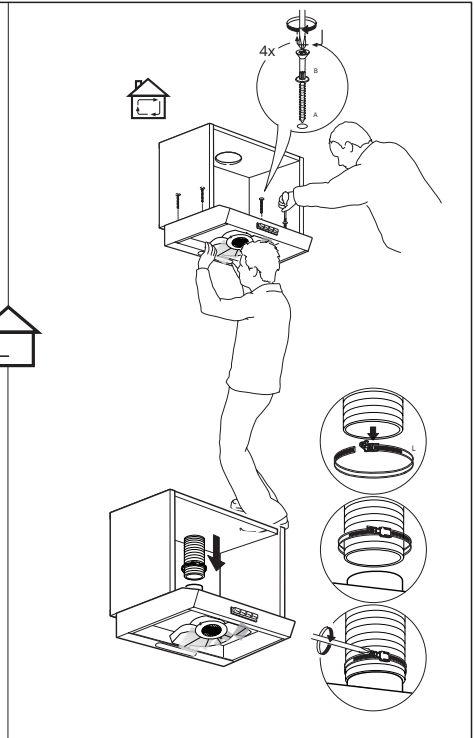
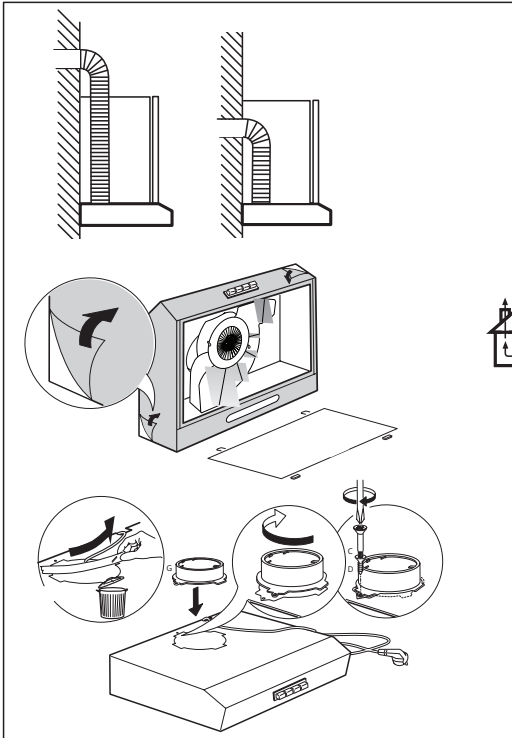
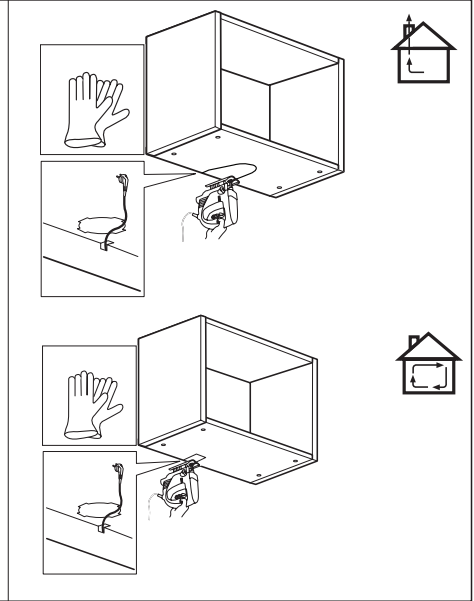
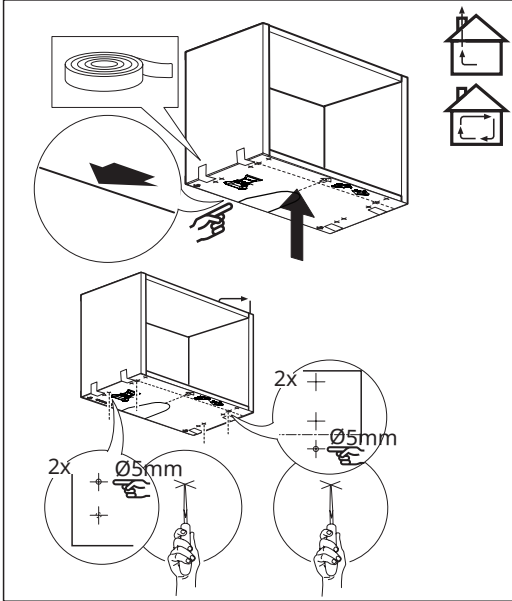


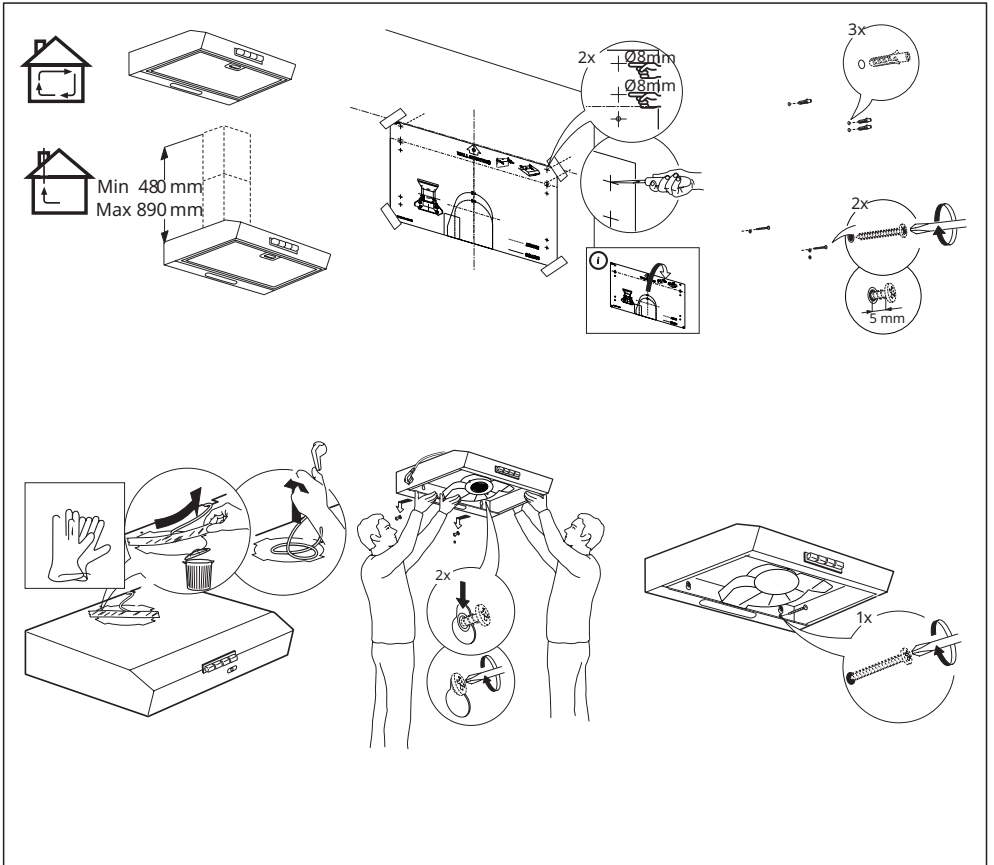
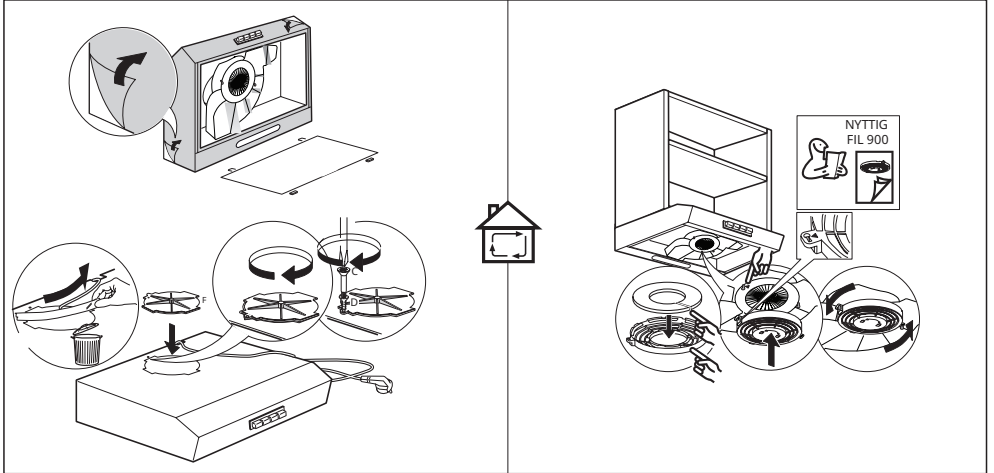
This section contains three rows of diagrams. The first row shows two incorrect installation methods: one with a person carrying a tray of materials and another with two people carrying a tray. The second row shows a person carrying a tray and another person standing. The third row shows a kitchen sink with two bottles on top, crossed out with a large 'X'. To the right are three parts lists, each with a shopping cart icon and a house icon:

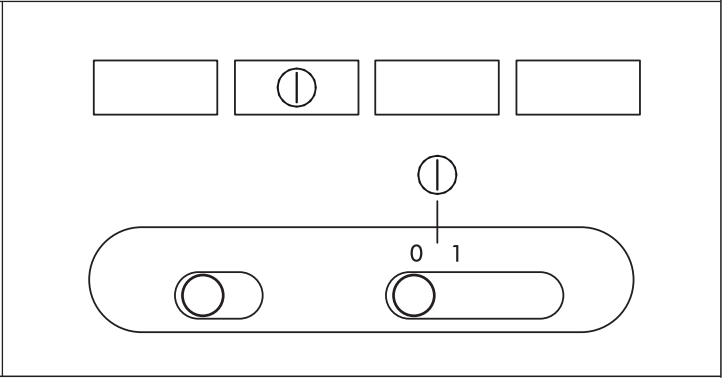
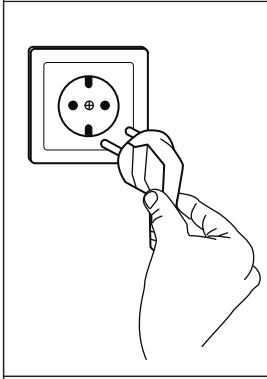
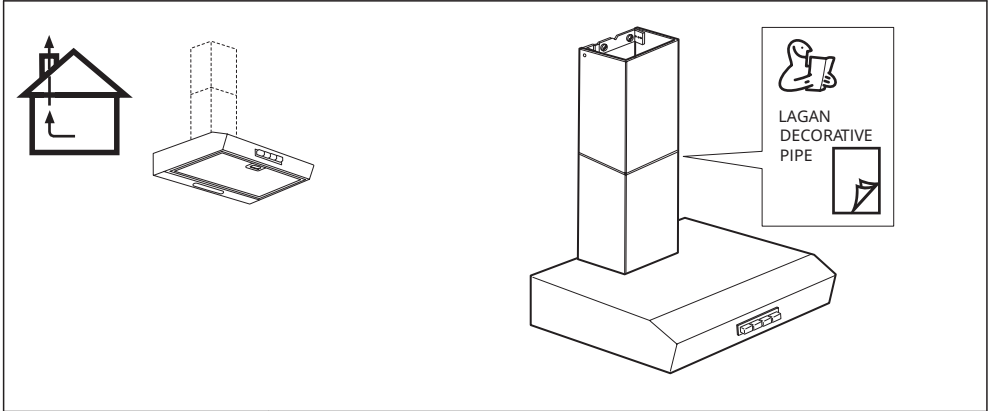
- Row 1:** 3x screws (Ø 5 mm), 3x screws (Ø 5 mm).
- Row 2:** 1x LAGAN DECORATIVE PIPE, 1x decorative pipe (Ø 125 mm).
- Row 3:** 1x filter, 1x NYTTIG FIL 900.

This section contains two diagrams showing the required clearance between the range hood and the cooktop. Both diagrams include a circular inset showing a close-up of the cooktop surface.

- Top Diagram:** Shows a cooktop with a decorative pipe. The clearance height is labeled "H min. 500 mm".
- Bottom Diagram:** Shows a cooktop with a standard burner. The clearance height is labeled "H min. 650 mm".







ENGLISH

8

ΕΛΛΗΝΙΚΑ


15

Safety instructions


Before the first use


For your own safety and for the correct operation of the appliance, please read this manual carefully before installation and commissioning. Look at the warning pictures at the beginning of this manual carefully. For correct and complete installation, refer to the specific installation manual supplied with the product.

Always keep these instructions with the appliance, even if it is transferred to a third party. It is important for the users to be familiar with all the operating and safety features of the appliance.



 The danger symbol, relating to safety, which warns of potential risks for the user and for others.

All safety-related messages will be preceded by the danger symbol and by the following terms:

 **DANGER:** indicates a dangerous situation which, if not avoided, will result in serious injuries.

 **WARNING:** indicates a dangerous situation which, if not avoided, may result in serious injuries.


All safety warnings provide specific details concerning the possible danger, as well as instructions on how to reduce the risk of injuries, damage and electric shock resulting from using the appliance in an improper way. Follow these instructions carefully.


- Make sure that the appliance has not been damaged during transport
- Remove the cardboard protections and any protective film and stickers from the accessories.
- Installation operations and electrical connections must be carried out by a qualified technician, following the manufacturer's instructions and in accordance with local safety regulations. Do not repair or replace any part of the appliance unless specifically recommended in the user manual.
- The appliance must be disconnected from the electrical power supply before performing any installation operation.
-  **WARNING:** failure to install the screws or fastening elements indicated by the instructions may cause electrical hazards.
- By law, the appliance must be earthed. (Not possible for class II hoods identified by the symbol  on the serial number plate).
- Do not pull the power cable to unplug the appliance from the wall socket.
- When installation is complete, the electrical components must no longer be accessible by the user.
- Do not touch the appliance with wet or damp body parts and do not use it barefoot.
- This appliance can be used by children over the age of 8 and by people with reduced physical, sensory or mental capabilities or with unsuitable experience and knowledge only if supervised and if they have received instructions on the safe use of the appliance and understand the risks involved. Children must be supervised to ensure they do not play with the device. Cleaning and routine maintenance must never be performed by children without adult supervision.
- All other maintenance operations must be carried out by a specialised technician.
- When drilling holes in the wall, take care not to damage electrical connections and/or pipes.
- The ventilation openings must always be directed towards the open air.
- The manufacturer shall not be held responsible for any damage caused by improper use or incorrect settings.
- Proper maintenance and cleaning ensure correct operation and the best performance of the appliance. Regularly remove all stubborn dirt from the surface

to avoid grease build-up. Remove and clean or change the filter regularly. To do this, follow the instructions given in the paragraph "Cleaning and Maintenance".

- Do not cook food over the flame ("flambé") under the appliance. The use of open flames may cause a fire.
- Failure to follow the instructions when cleaning the hood and when cleaning and replacing the filters may result in the risk of fire.
- The exhaust air must not be discharged through the same duct used to extract the fumes generated by appliances burning gas or other fuels, but it must have an independent outlet.
- All national regulations regarding exhaust air must be complied with.
- There must be adequate ventilation if the hood is used with other appliances burning gas or other fuels. The negative pressure of the room must not be above 4 Pa (4 x 10⁻⁵ bar). For this reason, make sure that the room is well ventilated. If in doubt, contact an authorised service centre or a qualified professional.

- Do not leave pans on the stove unattended while frying food, as the oil used for frying can catch fire.
- Before touching the light bulbs, make sure that they are cold.
- Do not use or leave the hood without the light bulb correctly installed, because it might cause an electric shock.
- The hood is not a worktop: do not place objects on it or overload it.
- For all installation and maintenance operations, always use suitable work gloves.
- The appliance is not suitable for outdoor use.

 **WARNING:** when the hob is on, the accessible parts of the hood may become hot.

 **WARNING:** this appliance is heavy; the hood must be lifted and installed by two or more people only. The minimum distance between the hob and the lower part of the hood must not be less than 65 cm for hobs with gas or other fuel burners and 50 cm for electric cookers. Before installing, also check the minimum distances indicated in the hob manual. If the hob installation instructions indicate a greater distance, it must be taken into account.

Installation

The hood is designed to be installed and used in "suction" or "recirculation" mode.

Suction version (see the symbol  in the installation instructions)

The steam produced while cooking is sucked in and conveyed outdoors through an exhaust pipe (not supplied) connected to the hood steam outlet.

Make sure that the exhaust pipe is installed correctly in the air outlet using a suitable connection system.

Important: if already installed, remove the carbon filter(s).

Air recirculation version

(see the symbol  in the installation instructions)

The air is filtered through one or more filters and then conveyed back into the room.

Important: make sure that there is correct air circulation around the hood.

Important: if the hood is not supplied with carbon filters, they must be ordered and installed before using the appliance. The filters are available at IKEA stores.

The hood must be installed away from particularly dirty areas, windows, doors and heat sources.

The accessories for wall mounting are not included because walls made of different materials require different types of accessories. Use fastening systems suitable for the walls in your home and

appropriate for the weight of the appliance. For further details, contact a specialist dealer.

Keep these instructions for future reference.

Environmental protection advice


The packaging material

The packaging is 100% recyclable and it is

marked with the recycling symbol 

The different parts of the packaging must not be dispersed into the environment; they must be disposed of in accordance with the regulations set out by the local authorities.



The  symbol on the product or documentation provided indicates that this product must not be treated as domestic waste, but must be taken to a suitable waste collection site for the recycling of electrical and electronic appliances.

Cleaning and maintenance

WARNING

- Disconnect the hood from the electrical power supply
- Clean the surfaces using a damp cloth. If very dirty, add a few drops of dishwashing liquid to the water. Dry with a dry cloth.
- Do not use tools or other cleaning instruments.
- Avoid using steam jet cleaners

IMPORTANT: do not use corrosive or abrasive detergents. If one of these products were to accidentally come into contact with the appliance, clean it immediately with a damp cloth.

Use specific detergents to clean the appliance and follow the manufacturer's instructions.

Do not use abrasive sponges, scouring pads or metal scrapers. In the long run, they may damage the surface

IMPORTANT: clean the grease filters at least once a month to remove any oil or grease residues.

Washing the grease filter

The metal grease filter has an unlimited service life and must be washed once a month by hand or in the dishwasher at low temperatures on a short program.

If washed in the dishwasher, the grease filter may become slightly discoloured, but its filtering properties will not change.

Carbon filter maintenance.

The anti-odour filter must be washed and regenerated every 3-4 months (or more frequently if the hood is subjected to intensive use), up to a maximum of 8 regeneration cycles (in case of particularly intense use, it is advisable not to exceed 5 cycles).


Regeneration procedure

- Wash in the dishwasher at a maximum temperature of 70°C or by hand in warm water without using abrasive sponges (do not use detergents!)
- Dry in the oven at a maximum temperature of 70°C for 2 hours, or leave it to dry at room temperature, placing the filter in an upright position to facilitate water drainage.

Light bulb maintenance

- Open the intake grille or remove the self-bearing grease filter.
- Replace the damaged light bulb. Use only E14 light bulbs, max 3W.
- Refit the intake grille or the grease filter.

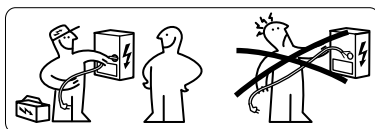
IMPORTANT: use gloves when replacing the light bulb

Light bulb	Power (W)	Socket	Voltage (V)	LCL	IL COS D Code
	3	E14	230	55	DRGSB/C/UB-/27/1B-230-E14-55

Manufacturer

Ikea of Sweden AB-SE-343 81 Älmhult, Sweden

Electrical connection



⚠ WARNING: All electrical connections must be made by an authorised installer. Make sure that the voltage indicated on the product plate corresponds to the mains voltage.

This information is indicated inside the hood, beneath the grease filter.

⚠ WARNING: If the hood is equipped with a plug, connect the appliance to a wall socket that complies with current standards, located in an accessible area. The hood comes with a special power

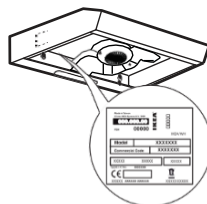
cable (type H05 VV-F); if it is damaged, ask the technical assistance service for a replacement.

If it is not equipped with a plug (direct connection to the mains), or if the nearest wall socket is not in an accessible area, install a standardised double-pole switch that provides complete isolation from the mains in the event of a category III overvoltage, in accordance with the wiring regulations.

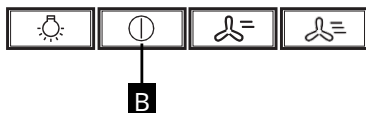
⚠ WARNING: Do not weld the cables!

Data Plate

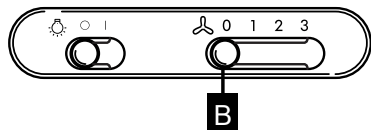
The technical specifications are indicated on the plate on the inner side of the appliance



Control Panel



B Motor ON/OFF button



B Motor ON/OFF button

WARRANTY IKEA LAGAN 5 YEARS

How long does the IKEA warranty last?

This warranty is valid for 5 years from the date of purchase/delivery of your appliance from an IKEA store. You will need to show your original receipt as proof of purchase. Any servicing carried out during the warranty period does not extend the warranty period.

Which LAGAN appliances are not covered by the IKEA 5-year guarantee?

LAGAN appliances purchased from IKEA before 1 May 2026 are covered by a 2-year guarantee, starting from the original date of purchase

Who provides the service?

The assistance service chosen and authorised by IKEA will provide the service through its network of authorised Service Partners.

What does this warranty cover?

The warranty covers any manufacturing defects (functional defects), from the date of purchase/delivery of the appliance. This warranty applies to domestic use only. Any exceptions are described under "What is not covered by the warranty?". During the warranty period, repair costs (spare parts, labour and travel costs of technicians) will be borne by the assistance service, provided that access to the equipment for repair work does not involve any special costs. These conditions are in accordance with EU directives (No. 99/44/EC) and local regulations. Any replaced components become the property of IKEA.

How will IKEA solve the problem?

The assistance service appointed by IKEA to carry out the intervention will examine the product and decide, at its sole discretion, whether it is covered by the

warranty or not. The IKEA Assistance Service or its authorised Service Partner, through their respective Service Centres, at their sole discretion, will repair the defective product or replace it with an equal product or one of equivalent value.

What is not covered by the warranty?

- Normal wear and tear
- Damage caused deliberately, damage caused by failure to comply with the operating instructions, incorrect installation or by connecting to an incorrect voltage. Damage caused by chemical or electro-chemical reactions, rust, corrosion or damage caused by water, including damage caused by the presence of excessive limescale in the water pipes. Damage caused by weather and natural events.
- Consumables, including batteries and light bulbs.
- Damage to non-functional and decorative parts that do not affect the normal use of the appliance, including scratches and colour differences.
- Accidental damage caused by foreign bodies or substances and damage caused by cleaning or eliminating clogging from filters, drainage systems or detergent trays.
- Damage to the following components: glass ceramic, accessories, baskets for cutlery and tableware, supply and drainage pipes, light bulbs and light bulb covers, grilles, knobs, coating and parts of coating. Unless it can be proved that such damage was caused by manufacturing errors.
- Cases in which functional defects are not found by the technician upon inspection.

- Repairs not performed by our authorised Assistance Service and/or by an authorised contractual Service Partner or if non-original spare parts are used.
- Repairs caused by incorrect installation or installation not in accordance with the specifications.
- Cases of improper use and/or non-domestic use of the appliance, e.g. professional use.
- Transport damage. If it is the customer who transports the product to his/her home or to another address, IKEA is not responsible for any damage that may occur during transport. On the other hand, if IKEA delivers the product to the customer's address, any damage to the product during transport will be covered by IKEA.
- Costs relating to the first installation of the IKEA appliance. However, if an IKEA service provider or its authorised partner repairs or replaces the appliance within the terms of this warranty, the service provider or authorised partner will reinstall the repaired appliance or install the replacement appliance, if necessary. These restrictions do not apply to regular work carried out by qualified technicians with original spare parts to adapt the appliance to the technical safety regulations of another EU country.

Application of national laws

The customer is the owner of the rights provided for by the Italian Legislative Decree no.206/2005 and this 5 (five) year IKEA warranty does not affect these rights which meet or extend the minimum legal rights of each country in terms of warranty. These conditions do not, however, limit the customer's rights, as defined by local laws, in any way.

Area of validity

For appliances purchased in one EU country and taken to another EU country, the services will be provided according to the warranty conditions applicable in the new country. The obligation to provide the

service based on the warranty conditions exists only if the appliance complies with and is installed according to:

- the technical specifications of the country in which the application of the warranty is required;
- the safety information contained in the Assembly Instructions and in the User Manual.

The dedicated ASSISTANCE service for IKEA appliances

Do not hesitate to contact the Authorised Service Centre appointed by IKEA to:

- request technical assistance during the warranty period
- request information on the operation of IKEA appliances.

To ensure you get the best assistance, please read the assembly instructions and/or the instruction manual of the product carefully before contacting us.

How to contact us if you need assistance



Please contact the IKEA Service Centre. You will find the phone number on the last page of this manual.

i In order to provide you with faster service, we suggest that you use the telephone numbers listed in this manual. Always refer to the numbers indicated in the manual of the appliance for which you require assistance. We advise you to always have available the IKEA code (8 digits) and the 12-digit code indicated on the label on your product.

i KEEP THE PURCHASE/DELIVERY DOCUMENT!

It is your proof of purchase and the warranty will not be valid without it. The receipt also features the name and the IKEA article number (8 digits) for each appliance purchased.

Need more help?

For any information not involving assistance, please refer to the Customer Service of your reference IKEA store. Please read the technical documentation provided with your appliance carefully before contacting us.

Οδηγίες ασφαλείας

i Πριν από την πρώτη χρήση

Για την ασφάλειά σας και για τη σωστή λειτουργία της συσκευής, διαβάστε προσεκτικά το παρόν εγχειρίδιο πριν την εγκατάσταση και τη λειτουργία. Μελετήστε προσεκτικά τις εικόνες με τις προειδοποιήσεις στην αρχή του παρόντος εγχειριδίου. Για τη σωστή και πλήρη εγκατάσταση συμβουλευτείτε το ειδικό εγχειρίδιο εγκατάστασης που παρέχεται μαζί με το προϊόν.

Οι παρούσες οδηγίες πρέπει να συνοδεύουν πάντα τη συσκευή, ακόμη και σε περίπτωση μεταβίβασης ή μεταφοράς σε τρίτους. Είναι σημαντικό οι χρήστες να γνωρίζουν όλα τα χαρακτηριστικά λειτουργίας και ασφαλείας της συσκευής.


⚠ Αυτό το σύμβολο σημαίνει κίνδυνος και προειδοποιεί για την πιθανή παρουσία κινδύνων που μπορεί να επηρεάσουν τον χρήστη και τους άλλους.

Σε όλα τα μηνύματα που αφορούν την ασφάλεια προηγείται το σύμβολο του κινδύνου καθώς και ένας από τους ακόλουθους όρους:

⚠ KINΔYΝΟΣ: υποδεικνύει μια επικίνδυνη κατάσταση που, εάν δεν αποφευχθεί, προκαλεί σοβαρούς τραυματισμούς.

⚠ ΠΡΟΕΙΔΟΠΟΙΗΣΗ: υποδεικνύει μια επικίνδυνη κατάσταση που, εάν δεν αποφευχθεί, μπορεί να προκαλέσει σοβαρούς τραυματισμούς. Όλες οι προειδοποιήσεις ασφαλείας παρέχουν συγκεκριμένες λεπτομέρειες σχετικά με τον πιθανό κίνδυνο που υπάρχει καθώς και οδηγίες ως προς τον τρόπο μείωσης του κινδύνου τραυματισμού, ζημιάς και ηλεκτροπληξίας που προκαλείται από τη μη κατάλληλη χρήση της συσκευής. Τηρείτε προσεκτικά τις παρακάτω οδηγίες.

- Ελέγξτε ότι η συσκευή δεν έχει υποστεί ζημιές κατά τη μεταφορά.

- Αφαιρέστε τις προστασίες από χαρτόνι, τις προστατευτικές μεμβράνες και τις αυτοκόλλητες ετικέτες από τα διάφορα εξαρτήματα.
- Η εγκατάσταση και η ηλεκτρική σύνδεση πρέπει να εκτελούνται από ειδικευμένο τεχνικό σύμφωνα με τις οδηγίες του κατασκευαστή και σε συμμόρφωση με τους τοπικούς κανονισμούς περί ασφαλείας. Μην επισκευάζετε ή αντικαθιστάτε οποιοδήποτε μέρος της συσκευής εάν δεν προτείνεται από το εγχειρίδιο χρήσης.
- Η συσκευή πρέπει να αποσυνδέεται από το ηλεκτρικό ρεύμα πριν από την εκτέλεση οποιασδήποτε εργασίας εγκατάστασης.
- **⚠ ΠΡΟΕΙΔΟΠΟΙΗΣΗ:** η μη τοποθέτηση των βιδών ή των στοιχείων στερέωσης σύμφωνα με τις παρούσες οδηγίες μπορεί να προκαλέσει κινδύνους ηλεκτρικής φύσης.
- Η γείωση της συσκευής είναι υποχρεωτική βάσει νόμου. (Δεν είναι εφικτή για τους απορροφητήρες κλάσης II που φέρουν το σύμβολο  στην πινακίδα στοιχείων).
- Μην τραβάτε το καλώδιο τροφοδοσίας της συσκευής για να την αποσυνδέσετε από την πρίζα του ρεύματος.
- Μετά την ολοκλήρωση της εγκατάστασης, τα ηλεκτρικά εξαρτήματα δεν πρέπει να είναι προσβάσιμα από τον χρήστη.
- Μην αγγίζετε τη συσκευή με βρεγμένα μέρη του σώματος και μην τη χρησιμοποιείτε με γυμνά πόδια.
- Η συσκευή αυτή μπορεί να χρησιμοποιηθεί από παιδιά ηλικίας άνω των 8 ετών και από άτομα με μειωμένες σωματικές, αισθητηριακές ή διανοητικές ικανότητες ή με ελλιπή εμπειρία και γνώση μόνο εάν επιβλέπονται ή έχουν λάβει οδηγίες σχετικά με την ασφαλή χρήση της συσκευής και κατανοούν τους σχετικούς κινδύνους. Τα παιδιά απαγορεύεται να παίζουν με τη συσκευή. Ο τακτι-

κός καθαρισμός και συντήρηση δεν πρέπει να πραγματοποιούνται από παιδιά εάν δεν επιβλέπονται από έναν ενήλικα.

- Όλες οι άλλες υπηρεσίες συντήρησης πρέπει να εκτελούνται από εξειδικευμένο τεχνικό.
- Όταν τρυπάτε τον τοίχο, προσέχετε να μην καταστρέψετε τις ηλεκτρικές συνδέσεις ή/και τις σωληνώσεις.
- Τα ανοίγματα για τον εξωτερικό πρέπει πάντα να οδηγούν σε εξωτερικό χώρο.
- Ο κατασκευαστής απαλλάσσεται από κάθε ευθύνη για οποιαδήποτε ζημιά που οφείλεται σε μη κατάλληλη χρήση ή σε λανθασμένες ρυθμίσεις.
- Ο σωστός καθαρισμός και συντήρηση εξασφαλίζουν σωστό αποτέλεσμα και βέλτιστες επιδόσεις της συσκευής. Καθαρίζετε τακτικά την επίμονη βρωμιά που υπάρχει στην επιφάνεια της συσκευής προκειμένου να αποφύγετε τη συσσώρευση λίπους. Αφαιρείτε και καθαρίζετε ή αντικαθιστάτε τακτικά το φίλτρο. Για να το κάνετε αυτό, ακολουθήστε τις οδηγίες στην ενότητα «Καθαρισμός και συντήρηση».
- Μη μαγειρεύετε με τη χρήση φλόγας («φλαμπέ») κάτω από τη συσκευή. Η χρήση ελεύθερης φλόγας μπορεί να αποτελέσει αιτία πυρκαγιάς.
- Η μη τήρηση των οδηγιών για τον καθαρισμό του απορροφητήρα και για την αντικατάσταση και καθαρισμό των φίλτρων συνεπάγεται τον κίνδυνο φωτιάς.
- Ο αποβαλλόμενος αέρας δεν πρέπει να εκκενώνεται σε αγωγό που χρησιμοποιείται για την εκκένωση των καπνών που παράγονται από συσκευές καύσης αερίου ή άλλων καυσίμων, αλλά πρέπει να έχει αυτόνομη έξοδο.
- Πρέπει να τηρούνται όλοι οι εθνικοί κανονισμοί αναφορικά με την αποβολή του αέρα.
- Πρέπει να υπάρχει κατάλληλος εξαερισμός σε περίπτωση που ο απορροφητήρας χρησιμοποιείται σε συνδυασμό με άλλες συσκευές που χρησιμοποιούν αέριο ή άλλες καύσιμες ύλες. Η αρνητι-

κή πίεση του δωματίου δεν πρέπει να ξεπερνά τα 4 Pa (4 x 10⁻⁵ bar). Γι' αυτόν τον λόγο, βεβαιωθείτε ότι το δωμάτιο αερίζεται επαρκώς. Σε περίπτωση αμφιβολίας, απευθυνθείτε σε ένα εξουσιοδοτημένο κέντρο υποστήριξης ή σε έναν εξειδικευμένο επαγγελματία.

- Μην αφήνετε σκεύη επάνω στη φωτιά χωρίς επίβλεψη όταν τηγανίζετε, διότι το λάδι που χρησιμοποιείται για τη γάνισμα μπορεί να αναφλεγεί.
- Προτού πιάσετε τους λαμπτήρες βεβαιωθείτε ότι είναι κρύοι.
- Μη χρησιμοποιείτε τον απορροφητήρα εάν ο λαμπτήρας δεν έχει τοποθετηθεί σωστά, διότι αυτό μπορεί να προκαλέσει ηλεκτροπληξία.
- Ο απορροφητήρας δεν είναι επιφάνεια στήριξης και επομένως μην στηρίζετε επάνω του αντικείμενα και μην τοποθετείτε υπερβολικό βάρος.
- Για όλες τις εργασίες εγκατάστασης και συντήρησης φοράτε κατάλληλα γάντια εργασίας.
- Η συσκευή δεν είναι κατάλληλη για χρήση σε εξωτερικό χώρο.

⚠ ΠΡΟΕΙΔΟΠΟΙΗΣΗ: όταν η μονάδα των εστιών μαγειρέματος είναι σε λειτουργία τα προσβάσιμα μέρη του απορροφητήρα ενδέχεται να είναι ζεστά.

⚠ ΠΡΟΕΙΔΟΠΟΙΗΣΗ: η συσκευή αυτή είναι βαριά και επομένως ο απορροφητήρας πρέπει να σηκώνεται και να εγκαθίσταται από δύο ή περισσότερα άτομα. Η ελάχιστη απόσταση μεταξύ της μονάδας των εστιών μαγειρέματος και του κάτω μέρους του απορροφητήρα δεν πρέπει να είναι μικρότερη από 65 cm για τις εστιές αερίου ή άλλων καυσίμων υλών και μικρότερη από 50 cm για τα ηλεκτρικά μάτια. Πριν από την εγκατάσταση ελέγξτε και τις ελάχιστες αποστάσεις που υποδεικνύονται στο εγχειρίδιο της επιφάνειας μαγειρέματος. Εάν στις οδηγίες εγκατάστασης της επιφάνειας μαγειρέματος ορίζεται μεγαλύτερη απόσταση, θα πρέπει να τηρείται η συγκεκριμένη απόσταση.

Εγκατάσταση

Ο απορροφητήρας είναι έτσι σχεδιασμένος ώστε να εγκαθίσταται και να χρησιμοποιείται είτε σε λειτουργία «απορρόφησης» είτε σε λειτουργία «ανακυκλοφορίας αέρα».

Έκδοση απορρόφησης (δείτε το


σύμβολο  στις οδηγίες εγκατάστασης)

Ο ατμός μαγειρέματος απορροφάται και διοχετεύεται εκτός του δωματίου μέσω ενός σωλήνα εξαγωγής (δεν παρέχεται), ο οποίος είναι συνδεδεμένος στην έξοδο των ατμών του απορροφητήρα.

Βεβαιωθείτε ότι ο σωλήνας εξαγωγής είναι σωστά εγκατεστημένος στην έξοδο του αέρα μέσω κατάλληλου συστήματος σύνδεσης.

Σημαντικό: εάν είναι ήδη τοποθετημένο/-α, αφαιρέστε το φίλτρο/-α άνθρακα.

Έκδοση με ανακυκλοφορία αέρα

(δείτε το σύμβολο  στις οδηγίες εγκατάστασης)

Ο αέρας φιλτράρεται μέσω ενός ή περισσότερων φίλτρων και έπειτα διοχετεύεται ξανά στον χώρο.

Σημαντικό: βεβαιωθείτε ότι υπάρχει σωστή κυκλοφορία του αέρα γύρω από τον απορροφητήρα.

Σημαντικό: εάν ο απορροφητήρας δεν διαθέτει φίλτρα άνθρακα, θα πρέπει να τα παραγγείλετε και να τα τοποθετήσετε πριν από τη χρήση της συσκευής. Τα φίλτρα δεν διατίθενται στα καταστήματα ΙΚΕΑ.

Ο απορροφητήρας πρέπει να εγκαθίσταται μακριά από χώρους με πολλή βρωμιά, παράθυρα, πόρτες και πηγές θερμότητας.

Τα εξαρτήματα για την στερέωση στον τοίχο δεν συμπεριλαμβάνονται διότι ανάλογα με το υλικό από το οποίο είναι φτιαγμένος ο τοίχος απαιτούνται και διαφορετικοί τύποι εξαρτημάτων στερέωσης. Χρησιμοποιήστε συστήματα στερέωσης που είναι κατάλληλα για τους τοίχους του σπιτιού σας και για το βάρος της οικιακής συσκευής. Για περισσότερες λεπτομέρειες, απευθυνθείτε σε έναν εξειδικευμένο μεταπωλητή.

Φυλάξτε τις παρούσες οδηγίες για μελλοντική αναφορά.

Συμβουλές για την προστασία του περιβάλλοντος


Υλικό συσκευασίας

Η συσκευασία είναι ανακυκλώσιμη 100% και φέρει το σύμβολο της ανακύκλωσης



Τα διάφορα μέρη της συσκευασίας δεν πρέπει επομένως να απορρίπτονται στο περιβάλλον, αλλά να απορρίπτονται σύμφωνα με τους κανονισμούς που ορίζουν οι τοπικές αρχές.



Το σύμβολο  επάνω στο προϊόν ή στα συνοδευτικά έγγραφα, υποδεικνύει ότι το παρόν προϊόν δεν πρέπει να συγκαταλέγεται στα οικιακά απορρίμματα αλλά πρέπει να παραδίδεται σε κάποιο ειδικό σημείο συλλογής για την ανακύκλωση ηλεκτρικού και ηλεκτρονικού εξοπλισμού.

Καθαρισμός και συντήρηση

ΠΡΟΕΙΔΟΠΟΙΗΣΗ

- Αποσυνδέστε τον απορροφητήρα από το ηλεκτρικό ρεύμα

- Καθαρίστε τις επιφάνειες με ένα υγρό πανί. Εάν είναι πολύ βρώμικες, προσθέστε στο νερό μερικές σταγόνες απορρυπαντικού πιάτων. Στεγνώστε με ένα στεγνό πανί.

- Μη χρησιμοποιείτε εργαλεία ή άλλα μέσα καθαρισμού.
- Αποφύγετε τη χρήση ατμοκαθαριστών

ΣΗΜΑΝΤΙΚΟ: μη χρησιμοποιείτε διαβρωτικά ή λειαντικά καθαριστικά. Εάν, κατά λάθος, κάποιο από αυτά τα προϊόντα έρθει σε επαφή με τη συσκευή, καθαρίστε την αμέσως με ένα βρεγμένο πανί.

Χρησιμοποιείτε ειδικά καθαριστικά για τον καθαρισμό της συσκευής και ακολουθείτε πάντα τις οδηγίες του κατασκευαστή.

Μη χρησιμοποιείτε λειαντικά σφουγγάρια, σύρματα καθαρισμού ή μεταλλικές ξύστρες. Μπορεί μακροπρόθεσμα να καταστρέψουν την επιφάνεια

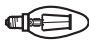
ΣΗΜΑΝΤΙΚΟ: καθαρίζετε τα φίλτρα συγκράτησης λίπους τουλάχιστον μία φορά τον μήνα ώστε να απομακρύνονται τα υπολείμματα λαδιού ή λίπους.

Για να πλύνετε το φίλτρο συγκράτησης λίπους

Το μεταλλικό φίλτρο συγκράτησης λίπους έχει απεριόριστη διάρκεια και πρέπει να πλένεται μία φορά τον μήνα στο χέρι ή στο πλυντήριο πιάτων σε χαμηλές θερμοκρασίες και σε σύντομο πρόγραμμα πλύσης.

Με το πλύσιμο σε πλυντήριο πιάτων το φίλτρο συγκράτησης λίπους μπορεί ελαφρώς να ξεθωριάσει, όμως οι ιδιότητες φιλτραρίσματος που διαθέτει δεν επηρεάζονται καθόλου.

Συντήρηση του φίλτρου άνθρακα.

Λαμπτήρας	Ισχύς (W)	Πρίζα	Τάση (V)	LCL	IL COS D Code
	3	E14	230	55	DRGSB/C/UB-/27/1B-230-E14-55

Το φίλτρο κατά των οσμών πρέπει να πλένεται και να αναγεννιάται κάθε 3-4 μήνες (ή και συχνότερα εάν η χρήση του απορροφητήρα είναι εντατική), έως 8 κύκλους αναγέννησης το μέγιστο (σε περίπτωση ιδιαίτερα εντατικής χρήσης, συνιστάται να μην υπερβαίνουν οι 5 κύκλοι).

Διαδικασία αναγέννησης

- Το πλύσιμο γίνεται στο πλυντήριο πιάτων σε μέγιστη θερμοκρασία 70°C, ή στο χέρι με ζεστό νερό δίχως να χρησιμοποιείτε λειαντικά σφουγγάρια (μη χρησιμοποιείτε απορρυπαντικά!)
- Στεγνώστε το στον φούρνο σε μέγιστη θερμοκρασία 70°C για 2 ώρες, ή αφήστε το να στεγνώσει σε θερμοκρασία περιβάλλοντος, στερεώνοντας το φίλτρο κατακόρυφα ώστε να διευκολύνεται η εκροή του νερού.

Συντήρηση του λαμπτήρα

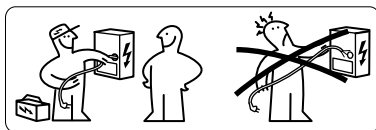
- Ανοίξετε τη σχάρα απορρόφησης ή αφαιρέστε το αυτοφερόμενο φίλτρο συγκράτησης λίπους.
- Αντικαταστήστε τον κατεστραμμένο λαμπτήρα. Χρησιμοποιείτε αποκλειστικά λαμπτήρες E14 των 3W το μέγιστο.
- Επανατοποθετήστε τη σχάρα απορρόφησης ή το φίλτρο συγκράτησης λίπους.

ΣΗΜΑΝΤΙΚΟ:φοράτε γάντια όταν αντικαθιστάτε τον λαμπτήρα

Κατασκευαστής

Ikea of Sweden AB-SE-343 81 Älmhult,
Σουηδία

Ηλεκτρική σύνδεση



⚠ ΠΡΟΕΙΔΟΠΟΙΗΣΗ: Όλες οι ηλεκτρικές συνδέσεις πρέπει να πραγματοποιούνται από εξουσιοδοτημένο εγκαταστάτη. Ελέγξτε ότι η τάση που αναγράφεται στην πινακίδα με τα στοιχεία του προϊόντος είναι ίδια με εκείνη του ηλεκτρικού δικτύου.

Οι πληροφορίες αυτές αναγράφονται στο εσωτερικό του απορροφητήρα, κάτω από το φίλτρο λίπους.

⚠ ΠΡΟΕΙΔΟΠΟΙΗΣΗ: Εάν ο απορροφητήρας διαθέτει φως, συνδέστε τη συσκευή σε μια πρίζα που συμμορφώνεται με την ισχύουσα νομοθεσία, η οποία να βρίσκεται σε προσβάσιμο σημείο. Ο απορροφητήρας

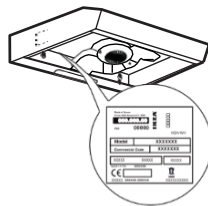
διαθέτει ειδικό καλώδιο τροφοδοσίας (τύπου H05 VV-F). Σε περίπτωση που υποστεί ζημιά, ζητήστε την αντικατάστασή του από την υπηρεσία τεχνικής υποστήριξης.

Εάν δεν διαθέτει φως (απευθείας καλωδίωση στο ηλεκτρικό ρεύμα), ή εάν η πρίζα δεν βρίσκεται σε προσβάσιμο σημείο, εγκαταστήστε έναν τυποποιημένο διπολικό διακόπτη που να επιτρέπει την πλήρη απομόνωση από το δίκτυο σε περίπτωση υπέρτασης κατηγορίας III, σύμφωνα με του κανονισμούς καλωδίωσης.

⚠ ΠΡΟΕΙΔΟΠΟΙΗΣΗ: Μην πραγματοποιείτε συγκολλήσεις στα καλώδια!

Πινακίδα Στοιχείων

Τα τεχνικά στοιχεία αναγράφονται στην πινακίδα που βρίσκεται στην εσωτερική πλευρά της συσκευής

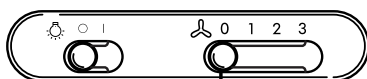


Πίνακας Ελέγχου



B

B Πλήκτρο ON/OFF κινητήρα



B

B Πλήκτρο ON/OFF Μοτέρ

ΕΓΓΥΗΣΗ IKEA LAGAN

Ποια είναι η διάρκεια της εγγύησης IKEA;

Η εγγύηση αυτή ισχύει για 5 χρόνια από την ημερομηνία αγοράς/παράδοσης της οικιακής ηλεκτρικής συσκευής σας από ένα κατάστημα IKEA. Είναι απαραίτητη η επίδειξη της πρωτότυπης απόδειξης ως αποδεικτικό έγγραφο που αποδεικνύει την αγορά. Τυχόν παρεμβάσεις υποστήριξης που πραγματοποιήθηκαν κατά τη διάρκεια της εγγύησης δεν παρατείνουν την ισχύ της.

Ποιες ηλεκτρικές οικιακές συσκευές LAGAN δεν καλύπτονται από την εγγύηση IKEA 5 ετών;

Οι ηλεκτρικές οικιακές συσκευές LAGAN που έχουν αγοραστεί από την IKEA πριν από την 1η Μαΐου 2026 καλύπτονται από εγγύηση 2 ετών, η οποία ισχύει από την αρχική ημερομηνία αγοράς.

Ποιος παρέχει την υπηρεσία σέρβις;

Η υπηρεσία υποστήριξης που επιλέγεται και εξουσιοδοτείται από την IKEA θα παρέχει την υπηρεσία μέσω του δικτύου των εξουσιοδοτημένων Συνεργατών Υποστήριξης που διαθέτει.

Τι καλύπτει αυτή η εγγύηση;

Η εγγύηση καλύπτει τα ελαττώματα της οικιακής συσκευής που οφείλονται σε κατασκευαστικό πρόβλημα (λειτουργικό ελάττωμα), από την ημερομηνία αγοράς/παράδοσης της οικιακής συσκευής. Η εν λόγω εγγύηση ισχύει μόνο όταν γίνεται οικιακή χρήση. Οι εξαιρέσεις περιγράφονται στο ερώτημα «Τι δεν καλύπτει η εγγύηση;». Εντός της περιόδου ισχύος της εγγύησης, τα έξοδα επίσκεψης (ανταλλακτικά, εργατικό δυναμικό και μετακινήσεις του τεχνικού προσωπικού) αναλαμβάνονται

από την υπηρεσία υποστήριξης, υπό την προϋπόθεση ότι η πρόσβαση στη συσκευή για την εκτέλεση της επίσκεψης δεν συνεπάγεται ιδιαίτερες δαπάνες. Οι όροι αυτοί συμμορφώνονται με τις οδηγίες ΕΕ (αρ. 99/44/ΕΚ) και με τους

τοπικούς κανονισμούς. Τα εξαρτήματα που αντικαθίστανται αποτελούν ιδιοκτησία της IKEA.

Με ποιον τρόπο η IKEA παρεμβαίνει για να λύσει το πρόβλημα;

Η υπηρεσία υποστήριξης που εξουσιοδοτείται από την IKEA για την εκτέλεση του σέρβις εξετάζει το προϊόν και αποφασίζει, κατά την αποκλειστική της κρίση, εάν το προϊόν καλύπτεται από την εγγύηση. Η Υπηρεσία Υποστήριξης IKEA ή ο εξουσιοδοτημένος Συνεργάτης Υποστήριξης που διαθέτει μέσω των αντίστοιχων Κέντρων Υποστήριξης, κατά την αποκλειστική τους κρίση, θα επισκευάσουν το ελαττωματικό προϊόν ή θα προβούν στην αντικατάστασή του με ένα όμοιο ή ίσης αξίας προϊόν.

Τι δεν καλύπτει η εγγύηση;

- Φυσιολογική φθορά
- Ζημιές που προκαλούνται σκοπιμώς, ζημιές που προκαλούνται λόγω μη τήρησης των οδηγιών λειτουργίας, λόγω εσφαλμένης εγκατάστασης ή κατόπιν σύνδεσης σε εσφαλμένη τάση. Ζημιές που οφείλονται σε χημικές ή ηλεκτροχημικές αντιδράσεις, σκουριά, διάβρωση ή ζημιές που προκαλούνται από νερό, συμπεριλαμβανομένων των ζημιών που προκαλούνται από την παρουσία υπερβολικών αλάτων στους αγωγούς ύδρευσης. Ζημιές που οφείλονται σε ατμοσφαιρικά και φυσικά φαινόμενα.
- Τα μέρη που υπόκεινται σε φθορά, συμπεριλαμβανομένων των μπαταριών και των λαμπτήρων.
- Ζημιές σε μη λειτουργικά και διακοσμητικά στοιχεία που δεν επηρεάζουν την κανονική χρήση της οικιακής συσκευής, συμπεριλαμβανομένων γρατζουνιών και χρωματικών διαφορών.
- Τυχαίες ζημιές που προκαλούνται από ξένα σώματα ή ουσίες και ζημιές που προκαλούνται από τον καθαρισμό ή την απομάκρυνση εμποδίων από τα φίλτρα, τα συστήματα εξαγωγής ή τις θήκες του απορρυπαντικού.

- Ζημιές στα ακόλουθα μέρη: υαλοκεραμική επιφάνεια, αξεσουάρ, καλάθια για μαχαιροπύρουνα και σκεύη, σωλήνες τροφοδοσίας και αποστράγγισης, παρεμβύσματα, λαμπτήρες και καλύμματα λαμπτήρων, σχάρες, λαβές, επένδυση και μέρη της επένδυσης. Εκτός εάν μπορεί να αποδειχθεί ότι οι ζημιές αυτές προκλήθηκαν λόγω σφαλμάτων κατασκευής.
- Περιπτώσεις στις οποίες δεν εντοπίζονται λειτουργικά ελαττώματα κατά τη διάρκεια της επίσκεψης ενός τεχνικού.
- Επισκευές που δεν έχουν πραγματοποιηθεί από την εξουσιοδοτημένη Υπηρεσία Υποστήριξης που διαθέτουμε ή/και από τον εξουσιοδοτημένο βάσει σύμβασης Συνεργάτη Υποστήριξης ή σε περίπτωση χρήσης μη γνήσιων ανταλλακτικών.
- Επισκευές που απαιτούνται λόγω μη σωστής εγκατάστασης ή εγκατάστασης που δεν συμμορφώνεται με τις απαιτήσεις.
- Περιπτώσεις μη κατάλληλης ή/και μη οικιακής χρήσης της συσκευής, π.χ. για επαγγελματική χρήση.
- Ζημιές λόγω μεταφοράς. Σε περίπτωση που ο πελάτης αναλαμβάνει τη μεταφορά του προϊόντος στην οικία του ή σε άλλη διεύθυνση, η IKEA δεν ευθύνεται για τυχόν ζημιές που μπορεί να προκύψουν κατά τη διάρκεια της μεταφοράς. Από την άλλη πλευρά, σε περίπτωση που η IKEA αναλαμβάνει τη μεταφορά του προϊόντος στη διεύθυνση του πελάτη, τυχόν ζημιές που προκαλούνται στο προϊόν κατά τη διάρκεια της παράδοσης καλύπτονται από την IKEA.
- Δαπάνες που αφορούν την αρχική εγκατάσταση της οικιακής συσκευής IKEA. Ωστόσο, σε περίπτωση που ένας πάροχος υπηρεσιών IKEA ή ένας εξουσιοδοτημένος συνεργάτης της επισκευάσει ή αντικαταστήσει τη συσκευή όπως ορίζει η παρούσα εγγύηση, ο πάροχος ή ο εξουσιοδοτημένος συνεργάτης θα εγκαταστήσουν εκ νέου την επιδιορθωμένη συσκευή ή θα εγκαταστήσουν τη νέα συσκευή λόγω αντικατάστασης, εφόσον

είναι απαραίτητο. Οι περιορισμοί αυτοί δεν ισχύουν στην περίπτωση τακτικών εργασιών που διεξάγονται από ειδικευμένο τεχνικό προσωπικό με γνήσια ανταλλακτικά για την προσαρμογή της συσκευής στις τεχνικές διατάξεις ασφαλείας μιας άλλης χώρας της ΕΕ.

Εφαρμογή της εθνικής νομοθεσίας

Ο πελάτης είναι δικαιούχος των δικαιωμάτων που προβλέπονται από το Ν.Δ. αρ.206/2005, και η παρούσα εγγύηση IKEA 5 (πέντε) ετών δεν επηρεάζει τα εν λόγω δικαιώματα που πληρούν ή επεκτείνουν τα ελάχιστα νομικά δικαιώματα κάθε χώρας όσον αφορά την εγγύηση. Οι όροι αυτοί ωστόσο δεν περιορίζουν με οποιονδήποτε τρόπο τα δικαιώματα του καταναλωτή που ορίζουν οι τοπικές νομοθεσίες.

Τόπος Ισχύος

Για τις οικιακές ηλεκτρικές συσκευές που αγοράζονται σε μια από τις χώρες της ΕΕ και μεταφέρονται σε μια άλλη χώρα της ΕΕ, οι υπηρεσίες θα παρέχονται με βάση τους όρους της εγγύησης που ισχύουν στη νέα χώρα. Η υποχρέωση παροχής σέρβις με βάση τους όρους της εγγύησης υπάρχει μόνο εάν η οικιακή ηλεκτρική συσκευή συμμορφώνεται και εγκαθίσταται σύμφωνα με:

- τις τεχνικές προδιαγραφές της χώρας στην οποία ζητείται η εφαρμογή της εγγύησης,
- τις πληροφορίες σχετικά με την ασφάλεια που περιέχονται στις Οδηγίες συναρμολόγησης και στο Εγχειρίδιο χρήστη.

Ειδική υπηρεσία ΥΠΟΣΤΗΡΙΞΗΣ για τις συσκευές IKEA

Μη διστάσετε να επικοινωνήσετε με το Εξουσιοδοτημένο Κέντρο Υποστήριξης που ορίζεται από την IKEA για:

- να ζητήσετε τεχνική υποστήριξη κατά τη διάρκεια της εγγύησης
- να ζητήσετε πληροφορίες σχετικά με τη λειτουργία των οικιακών ηλεκτρικών συσκευών IKEA.

Για να εξασφαλίσετε την καλύτερη δυνατή εξυπηρέτηση διαβάστε προσεκτικά τις οδηγίες συναρμολόγησης ή/και το εγχειρίδιο οδηγιών του προϊόντος προτού επικοινωνήσετε μαζί μας.

Πώς να επικοινωνήσετε μαζί μας σε περίπτωση που χρειάζεστε υποστήριξη



Καλέστε τον τηλεφωνικό αριθμό του κέντρου υποστήριξης ΙΚΕΑ που αναφέρεται στην τελευταία σελίδα του παρόντος εγχειριδίου.

i Για πιο γρήγορη εξυπηρέτηση, συνιστάται να χρησιμοποιείτε τους τηλεφωνικούς αριθμούς που περιέχονται στο παρόν εγχειρίδιο. Αναφέρετε πάντα τους αριθμούς που περιέχονται στο εγχειρίδιο της συσκευής για την οποία χρειάζεστε υποστήριξη. Συνιστάται να έχετε πάντα διαθέσιμο τον κωδικό ΙΚΕΑ (8 ψηφία) και τον 12ψήφιο κωδικό που αναγράφονται στην ετικέτα του προϊόντος σας.

i ΦΥΛΑΞΤΕ ΤΟ ΑΠΟΔΕΙΚΤΙΚΟ ΑΓΟΡΑΣ/ ΠΑΡΑΔΟΣΗΣ!

Αποτελεί απόδειξη για την αγορά σας και είναι απαραίτητη η προσκόμισή του προκειμένου να έχει ισχύ η εγγύηση. Στην απόδειξη αναγράφεται επίσης το όνομα και ο κωδικός προϊόντος ΙΚΕΑ (8 ψηφία) για κάθε συσκευή που αγοράσατε.

Χρειάζεστε περαιτέρω βοήθεια;

Για οποιαδήποτε πληροφορία που δεν αφορά θέματα υποστήριξης απευθυνθείτε στο Τμήμα Εξυπηρέτησης Πελατών του καταστήματος ΙΚΕΑ. Προτού επικοινωνήσετε μαζί μας, διαβάστε προσεκτικά τα τεχνικά έγγραφα που συνοδεύουν την οικιακή ηλεκτρική συσκευή.

BELGIË - BELGIQUE - BELGIEN

Telefoon/Numéro de téléphone/Telefon-Nummer:	026200311	
Tarief/Tarif/Tarif:	Lokaal tarief/Prix d'un appel local/Ortstarif	
Openingstijd:	Maandag - Vrijdag	8.00 - 20.00
Heures d'ouverture:	Lundi - Vendredi	8.00 - 20.00
Öffnungszeiten:	Montag - Freitag	8.00 - 20.00

БЪЛГАРИЯ

Телефонен номер:	02 4003536	
Тарифа:	Локална тарифа	
Работно време:	понеделник - петък	8.00 - 20.00

ČESKÁ REPUBLIKA

Telefonní číslo:	225376400	
Sazba:	Místní sazba	
Pracovní doba:	Pondělí - Pátek	8.00 - 20.00

DANMARK

Telefonnummer:	70150909	
Takst:	Lokal takst	
Åbningstid:	Mandag - fredag	9.00 - 20.00
	Lørdag	9.00 - 18.00
	(Åbent udvalgte søndage, se IKEA.dk)	

DEUTSCHLAND

Telefon-Nummer:	06929993602	
Tarif:	Ortstarif	
Öffnungszeiten:	Montag - Freitag	8.00 - 20.00

ΕΛΛΑΔΑ

Τηλεφωνικός αριθμός:	2109696497	
Χρέωση:	Τοπική χρέωση	
Ωρες λειτουργίας:	Δευτέρα - Παρασκευή	8.00 - 20.00

ESPAÑA

Teléfono:	913754126 (España Continental)	
Tarifa:	Tarifa local	
Horario:	Lunes - Viernes	8.00 - 20.00

EESTI

<http://www.ikea.com>

FRANCE

Numéro de téléphone:	0170480513	
Tarif:	Prix d'un appel local	
Heures d'ouverture:	Lundi - Vendredi	9.00 - 21.00

HRVATSKA

Broj telefona:	0800 3636	
Tarifa:	Localna tarifa	
Radno vrijeme:	Ponedjeljak - Petak	8.00 - 20.00

ÍSLAND

Símanúmer:	5852409	
Kostnaður við símtal:	Almennt mínútuverð	
Opnunartími:	Mánudaga - Föstudaga	9.00 - 17.00

ITALIA

Telefono:	0238591334	
Tariffa:	Tariffa locale	
Orari d'apertura:	Lunedì - Venerdì	8.00 - 20.00

LATVIJA

<http://www.ikea.com>

LIETUVIŲ

Telefono numeris:	(0) 520 511 35	
Skambučio kaina:	Vietos mokestis	
Darbo laikas:	Nuo pirmadienio iki penktadienio	8.00 - 20.00

LUXEMBOURG

Numéro de téléphone:	035220882569	
Tarif:	Prix d'un appel local	
Heures d'ouverture:	Lundi - Vendredi	8.00 - 18.00

MAGYARORSZÁG

Telefon szám:	(06-1)-3285308	
Tarifa:	Helyi tarifa	
Nyitvatartási idő:	Hétfőtől - Péntekig	8.00 - 20.00

NEDERLAND

Telefoon:	0900-235 45 32 en/of 0900 BEL IKEA 0031-50 316 8772 international	
Tarief:	Geen extra kosten. Alleen lokaal tarief.	
Openingstijd:	Maandag t/m - Vrijdag	8.00 - 21.00
	Zaterdag	9.00 - 21.00
	Zondag / Feestdagen	10.00 - 18.00



NORGE

Telefon nummer:	23500112	
Takst:	Lokal takst	
Åpningstider:	Mandag - Fredag	8.00 - 20.00

ÖSTERREICH

Telefon-Nummer:	01360 2771461	
Tarif:	Ortstarif	
Öffnungszeiten:	Montag - Freitag	8.00 - 20.00

POLSKA

Numer telefonu:	225844203	
Stawka operatora:	Koszt połączenia według taryfy	
Godziny otwarcia:	Poniedziałek - Piątek	8.00 - 20.00

PORTUGAL

Telefone:	213164011	
Tarifa:	Tarifa local	
Horario:	Segunda - Sexta	9.00 - 21.00

REPUBLIC OF IRELAND

Phone number:	016590276	
Rate:	Local Rate:	
Opening hours:	Monday - Friday	8.00 - 20.00

ROMÂNIA

Număr de telefon:	021 2044888	
Tarif:	Tarif local	
Orar:	Luni - Vineri	8.00 - 20.00

РОССИЯ

Телефонный номер:	84957059426	
Стоимость звонка:	Местная стоимость звонка	
Время работы:	Понедельник - Пятница	9.00 - 21.00 (Московское время)

SCHWEIZ - SUISSE - SVIZZERA

Telefon-Nummer/Numéro de téléphone/Telefono:	0225675345	
Tarif/Tarif/Tariffa:	Ortstarif/Prix d'un appel local/Tariffa locale	
Öffnungszeiten:	Montag - Freitag	7.30-12.00/13.00-17.30
Heures d'ouverture:	Lundi - Vendredi	7.30-12.00/13.00-17.30
Orario d'apertura:	Lunedì - Venerdì	7.30-12.00/13.00-17.30

SLOVENSKO

Telefónne číslo:	(02) 50102658	
Cena za hovor:	Cena za miestny hovor	
Pracovná doba:	Pondelok až piatok	8.00 - 20.00

SLOVENIJA

<http://www.ikea.com>

SRBIJA

Број телефона:	011 7 555 444	
стопа:	lokalna курс	
Радно време:	Понедељак - субота	9.00 - 20.00
	недеља	9.00 - 18.00

SUOMI

Puhelinnumero:	0981710374	
Hinta:	Yksikköhinta	
Aukioloaika:	Maanantaista perjantaihin	8.00 - 20.00

SVERIGE

Telefon nummer:	0775-700 500	
Taxa:	Lokal samtal	
Öppet tider:	Måndag - Fredag	8.30 - 20.00
	Lördag - Söndag	9.30 - 18.00

UNITED KINGDOM

Phone number:	02076601517	
Rate:	Local rate	
Opening hours:	Monday - Friday	8.30am - 6.30pm
	Saturday	8.30am - 5.30pm
	Sunday	9.30am - 3.30pm

