

Buying guide

ENHET

Bathroom series

Design

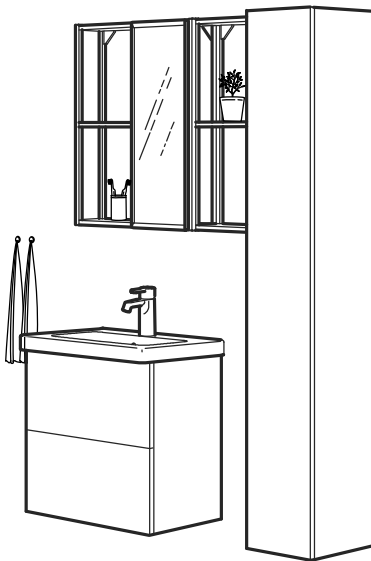
Francis Cayotte &
Eva Lilja Löwenhielm

Safety

Furniture must be fixed to the wall with the enclosed wall fastener. Different wall materials require different types of fixing devices. Use fixing devices suitable for the walls in your home, sold separately. Secure that the walls in your bathroom can support the weight of the wash-stand, and if not, then use legs.

10

The ENHET bathroom series has a 10-year guarantee. Read more in the guarantee brochure.



Plan less, live more

ENHET is easy to buy and equally easy to update if you need to, or simply feel like it. You can choose between ready-made combinations online and buy your favourite with a few clicks. All parts are easy to assemble, intuitively and without any special tools.

The playful design inspires you to adapt ENHET to reflect your personality. With a combination of closed cabinets and open shelves in stable metal frames you can display your favourite things and hide the rest. The ENHET bathroom units also come in different widths and depths, making them easy to adapt to a smaller space.

All the products (shown here) may not be available at the store. Please contact the staff or look at www.IKEA.com for more information. For more detailed product information, see the pricetag and the Internet. All units require assembly.



Content

How to plan	3
Designed to fit your space.....	4
How to combine.....	5
ENHET complete bathrooms	6
ENHET storage combinations.....	9
ENHET - all parts	12
Washbasins for ENHET	13
SILVERGLANS LED Lighting for ENHET all parts	14
How to mount SILVERGLANS for ENHET bathroom series page.....	14
Complete your combination with lighting.....	15
Service	16
Guidance	16

How to plan

What do you want to store?

Start by thinking what storage needs do you have in your bathroom. Think of the activities that happen in your bathroom like laundry, shower, clean and care. How many people use the bathroom and when is the rush hour usually. Based on these activities you can plan how many storage units you will need as well as decide if a drawer or a door solution will be best suited for your needs. Think of the wall space you have too in your bathroom as this will be perfect place for shelving units that take very little space but they create lots of storage capacity for all the clean and care products that find home in the bathroom.

How much space do you have?

Decide on where you will place your vanity unit and start building your new bathroom around this space, see if you have enough wall space for an additional storage unit like a high cabinet or a shelving unit. Sketch out the space, measuring from the width and the height from the floor, if you have a narrow bathroom then the depth of you furniture will make a difference. For narrow bathrooms you can consider shallow ENHET cabinets. Take detailed measurements, note the shower area and all the space you might need for the piping that could affect your storage solution.

Want a ready-made combination?

We have made it much easier to buy ENHET bathrooms be it IKEA.com or the store, we have created ready-made combinations that you can choose after you have considered what type of storage you need. These combinations are varied and have been designed to cover a wide storage functionality as well as style needs. Just browse the combinations in this buying guide on, page 07 . You can buy them here in the store or on www.IKEA.com.

Do you want to create your own solution? Use the additional information provided in this buying guide to follow these simple steps:

1. Pick a wash-stand

The closed cabinets come with 2 functionality - either with a shelf, or 2 drawers, so depending on your preferences you can choose the functionality that works best in your bathroom. When you have your wash-stand in place, complete it with a mirror above, either a open wall frame with a hanging mirror or a closed mirror cabinet. Do you need more storage? Wall cabinets and high cabinets are available in both open and closed versions.

2. Complete your solution

Complete your solution based on your needs. There are legs for extra stability, swivel tray for small bottles to be on display or do you need to have your laundry bag in the bathroom, that's solved with ENHET.

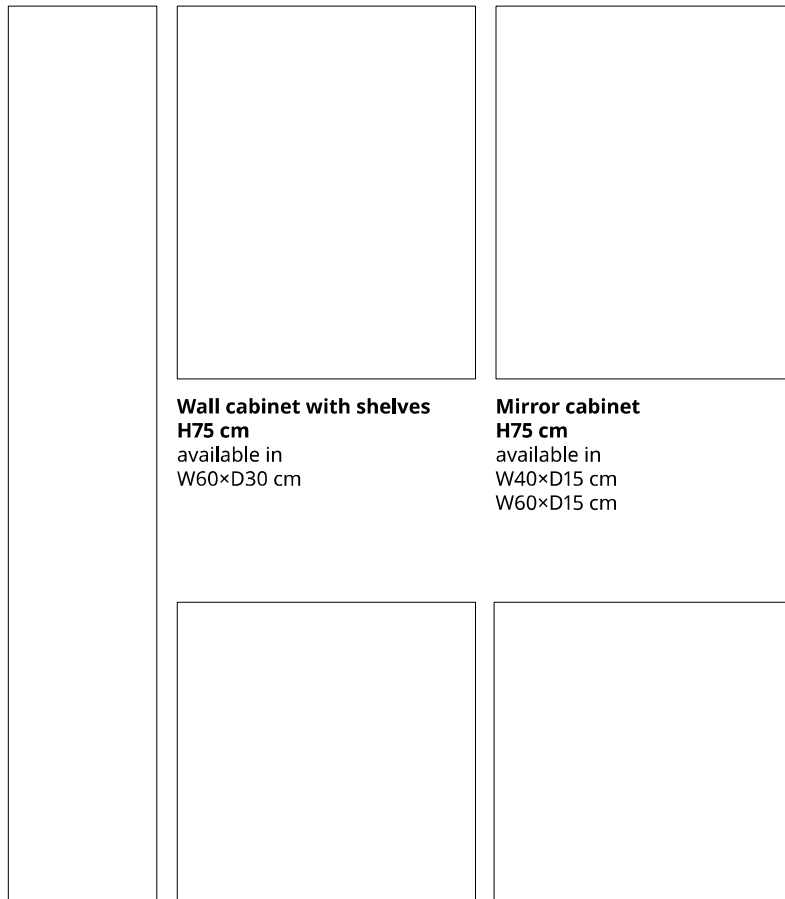
3. Personalize

To put the final touch, add your choice of knobs/handles, accessories and bath textiles to make your bathroom complete.

Designed to fit your space

To find the right cabinets for you is easier than you might think. On this page you'll get an overview of all cabinets, frames and available sizes in the ENHET system. On the following pages you'll find all available parts.

Closed cabinets



Wall cabinet with shelves
H75 cm
available in
W60×D30 cm

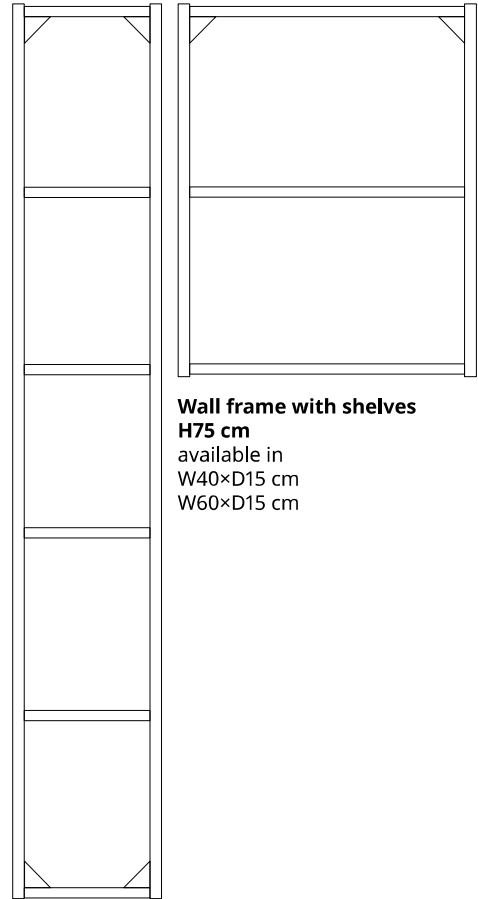
Mirror cabinet
H75 cm
available in
W40×D15 cm
W60×D15 cm

High cabinet with shelves
H180 cm
available in
W30×D30 cm

Base cabinet for washbasin with shelves
H60 cm
available in
W40×D40 cm
W60×D40 cm
W60×D30 cm

Base cabinet for washbasin with 2 drawers
H60 cm
available in
W40×D40 cm
W60×D40 cm

Open frames

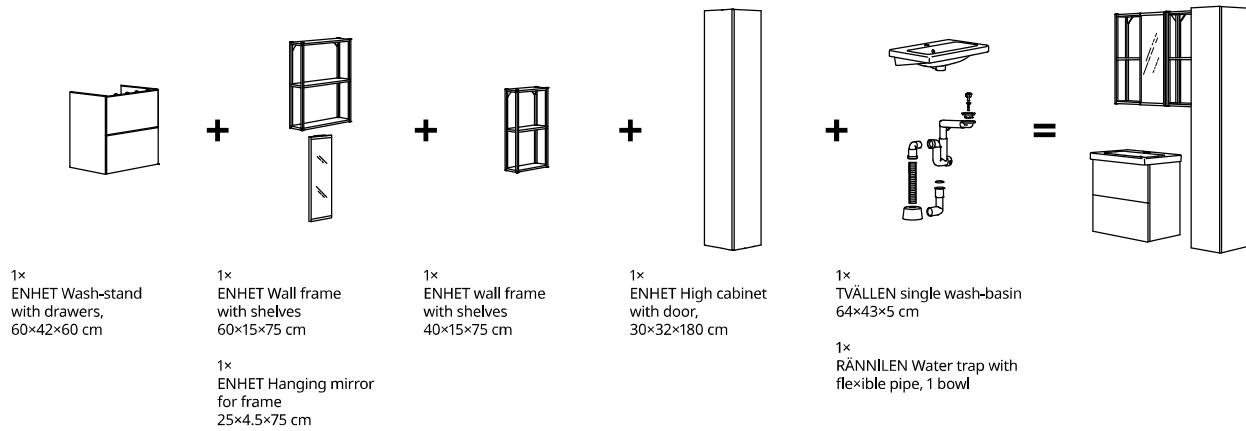


Wall frame with shelves
H75 cm
available in
W40×D15 cm
W60×D15 cm

High frame with shelves
H180 cm
available in
W30×D30 cm

How to combine

Here is a little guide to explain how you can put together your very own ENHET bathroom solution. For all the parts and pieces see page 12. If you want to browse our ready-made solutions just check pages 07–11 in this buying guide or www.IKEA.com.



ENHET B104 bathroom, white. 64×43×65 cm.

This combination

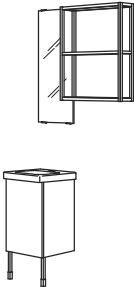
296.133.39

ENHET complete bathrooms

Getting a complete bathroom has probably never been easier. We have combined ENHET units into a number of practical solutions that you can find online and buy directly, so all you have to

do is find the bathroom that fits your needs and matches your temperament.

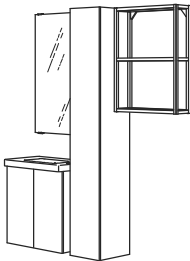
B100



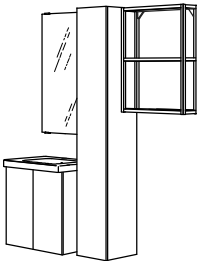
B101



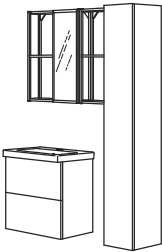
B102



B103



B104



B106

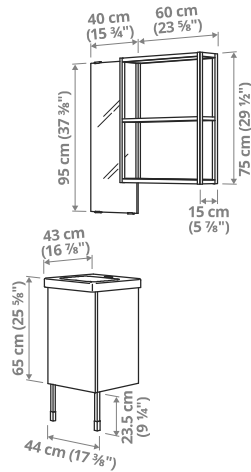


B111



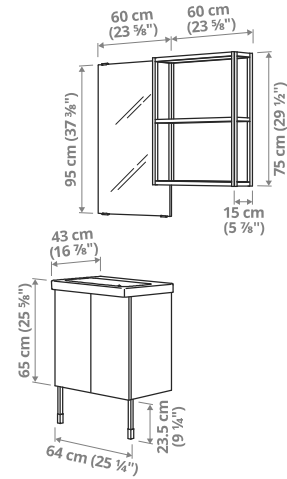
ENHET bathroom combinations

Note! Lighting products not included. Knobs/handles not included, sold separately.



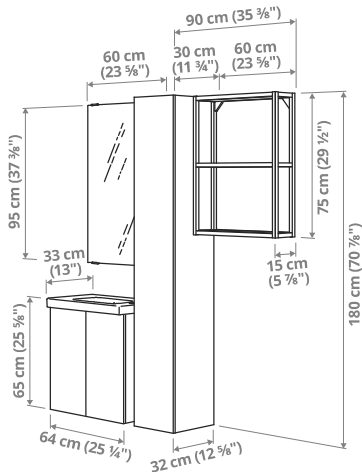
B100 - with washbasin 44 cm wide 44×43×87 cm.
A perfectly tailored solution with a mix of open and closed storage. The mirror offers good views – of yourself and all your things. Legs included.

White 596.133.47



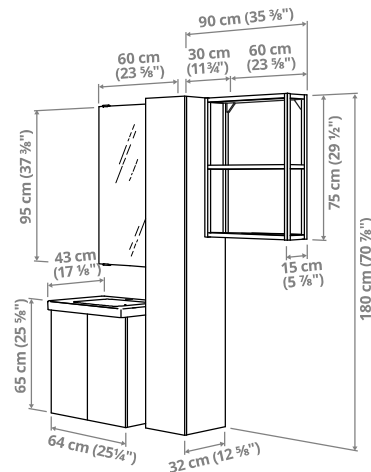
B101 - with washbasin 64 cm wide 64×43×87 cm.
A perfectly tailored solution with a mix of open and closed storage. The mirror offers good views – of yourself and all your things. Complete with a tap of your choice.

White 896.133.55



B102 - with washbasin 33 cm deep 64×33×65 cm.
Even the smallest bathroom can fit great storage when you combine a shallow wash-stand with open and closed storage. And with a beautiful reflection on the mirror, every morning is a good morning. Complete with a tap of your choice.

Anthracite/white 096.133.40
White 696.133.61

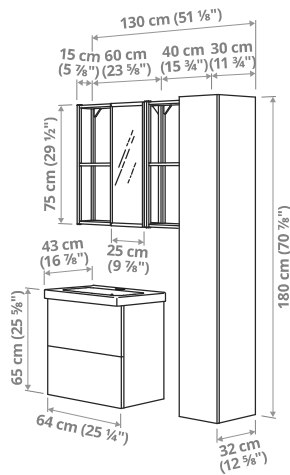


B103 - with washbasin 64 cm wide 64×43×65 cm.
A perfectly tailored solution with a mix of open and closed storage. The mirror offers good views – of yourself and all your things. Legs included. Complete with a tap of your choice.

Anthracite/white 896.133.36
White 396.133.48

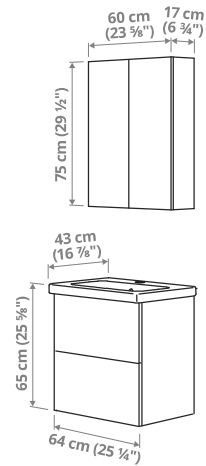
ENHET bathroom combinations

Note! Lighting products not included. Knobs/handles not included, sold separately.



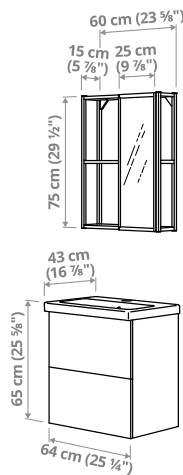
B104 – washbasin 64 cm wide 64×43×65 cm.
Small space with lots to store? This solution has room for all your things with a blend of open and closed storage topped with accessories for things that are needless to stow away. Complete with a tap of your choice.

Anthracite/white	596.133.52
White	296.133.39



B106 – washbasin 64 cm wide 64×43×65 cm.
A space-smart solution with both open and closed storage. The mirror cabinet keeps all your smaller items right where you need them. Complete with a tap of your choice.

White	696.133.37
-------	------------



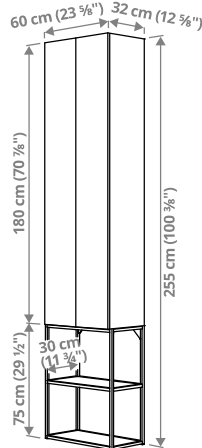
B111 – washbasin 64 cm wide 64×43×65 cm.
The wall frame is teamed up with a sliding mirror so you can get up close and personal. There's ample storage space in the cabinet below. Complete with a tap of your choice.

Anthracite/white	296.133.58
White	196.133.49

ENHET storage combinations

Note! Lighting products not included. Knobs/handles not included, sold separately.

ENHET is all about simplicity and the possibility to change and adapt your home when your life changes. No matter what happens, everyday life becomes much easier when all things can be found in their designated place, especially if floor space is limited. That is why we have developed these combinations that

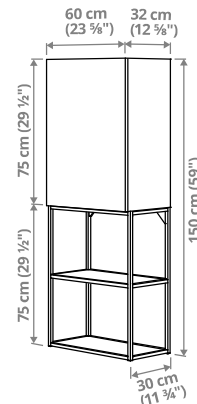


ENHET A100 storage combination 60×32×255 cm.

This combo makes good use of the wall space while taking up minimal floor space. You can keep cluttering items dust-free behind doors and create a statement with your favourite objects on the open shelves.

Anthracite/white	796.133.51
White	896.133.41

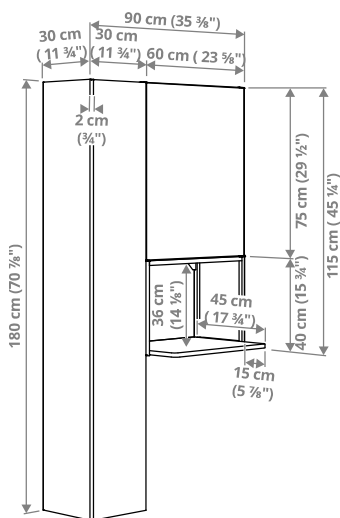
can be added on to your ENHET bathroom units to create extra storage space for laundry activities as an example. Pick the one that best suits your needs and helps you use your bathroom space efficiently.



ENHET A102 storage combination 60×32×150 cm.

A mix of open and closed storage that allows you to show or not to show. Put your favourite objects on display and hide the messy stuff. A clever combo that can be placed almost anywhere in your home.

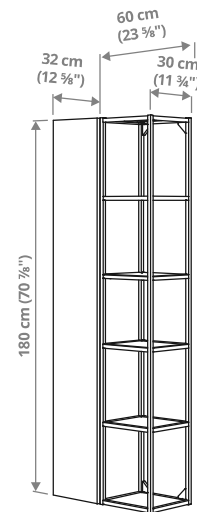
Anthracite/white	496.133.38
White	096.133.59



ENHET A112 storage combination 90×32×180 cm.

A mix of open and closed storage that allows you to show or not to show. Put your favourite objects on display and hide the messy stuff. A clever combo that can be placed almost anywhere in your home.

White	396.133.53
-------	------------



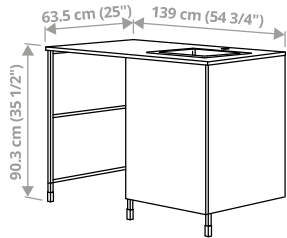
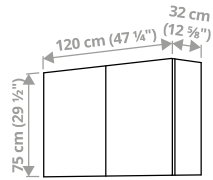
ENHET A115 storage combination 60×32×180 cm.

This generous solution is a great choice if you have wall space but not so much floor space. It offers a place to showcase objects and cabinets to neatly tuck things away in one smart, cohesive combo

Anthracite/white	996.133.45
White	996.133.50

ENHET storage combinations

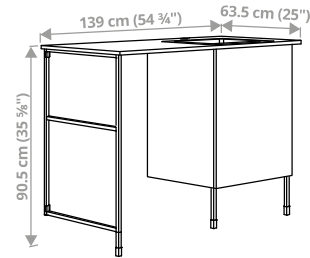
Note! Lighting products not included. Knobs/handles not included, sold separately.



ENHET A106 storage combination 139×63.5×87.5 cm. The countertop is perfect for folding and stacking laundry and the space underneath is ideal for whatever you need to store. Complete with a tap of your choice.

White

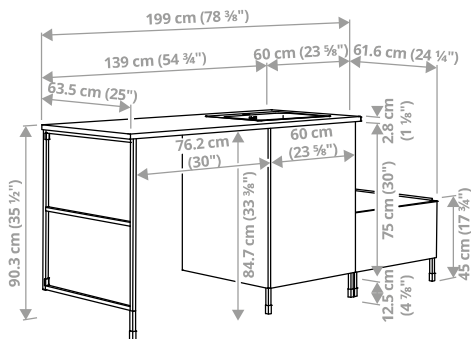
896.133.60



ENHET A107 storage combination 139×63.5×90.5 cm. This combo allows a lot of productivity in a small space. It has a dedicated spot for an appliance, a countertop and a cabinet for bulkier items. Complete with a tap of your choice.

White

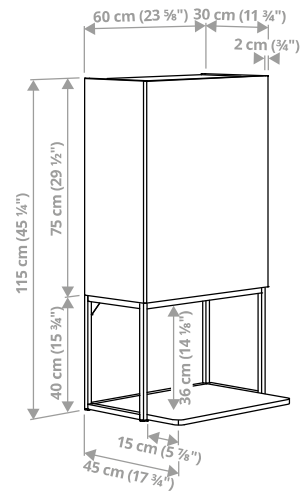
396.133.72



ENHET A110 storage combination 199×63.5×90 cm. This combo raises your appliance, has a countertop and sink for handwashing, and space below for ENHET laundry bags with castors. Complete with a tap of your choice.

White

596.133.33



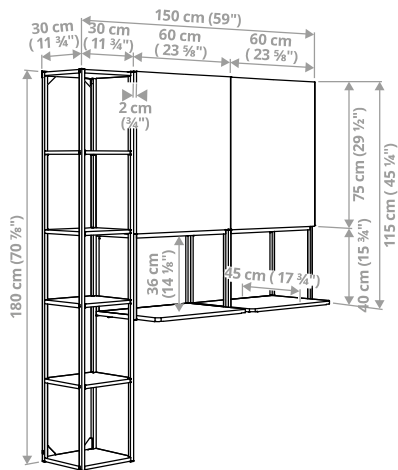
ENHET A108 storage combination 60×45×115 cm. This combo of wall cabinet and wall shelf frame helps make the most of your laundry space – and keeps things tidy too.

White

196.133.30

ENHET storage combinations

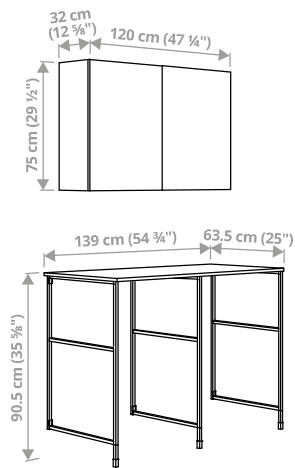
Note! Lighting products not included. Knobs/handles not included, sold separately.



ENHET A109 storage combination 150×45×180 cm. This combination offers a perfect mix of open and closed storage – and a tailored space for a washing machine and laundry bin.

White

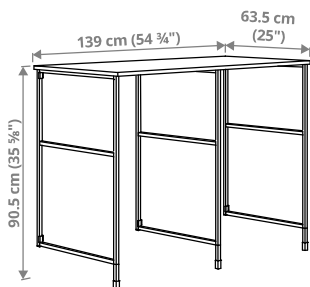
996.133.31



ENHET A128 storage combination 139×63.5×90.5 cm. You get a tidy look with closed wall storage combined with a niche for things like your washing machine, dryer or laundry bags. The countertop provides a functional space for sorting and folding clothes.

White

696.133.42



ENHET A122 storage combination 139×63.5×87.5 cm. This combo provides a coveted workspace where you can sort and fold your clothes as well as a dedicated space underneath for other things to keep them out of the way.

White/white laminate

094.774.27

ENHET – all parts

ENHET series makes it easy to start fresh with a new bathroom solution. The unique wedge dowels make assembly easy and the fittings are nearly invisible. For our closed storage, add your choice of knobs or handles to match your personality.

Closed cabinets



ENHET high cabinet with door.	
30×32×180 cm	
White	106.230.36



ENHET mirror cabinet with doors.	
40×17×75 cm	
White	306.230.40



60×17×75 cm	
White	506.230.44



80×17×75 cm	
White	806.230.47



ENHET pedestal for washer/dryer.	
60×62×45 cm	
White	306.229.84



ENHET sink cabinet with drawer.	
60×62×75 cm	
White	006.230.32



ENHET wash-stand with door.	
40×42×60 cm	
White	806.231.46



ENHET wash-stand with doors.	
60×42×60 cm	
White	706.230.57



60×32×60 cm	
White	606.230.53



ENHET wash-stand with drawers.	
40×42×60 cm	
White	206.230.12



60×42×60 cm	
White	506.230.20



ENHET wall cabinet with door.	
60×32×75	
White	406.230.25



TVÄLLEN/ENHET wash-stand with door/wash-basin,	
44×43×65 cm.	
White	496.133.57



TVÄLLEN/ENHET wash-stand with doors/wash-basin,	
64×33×65 cm.	
White	796.133.46



TVÄLLEN / ENHET wash-stand with doors/wash-basin,	
64×43×65 cm.	
White	096.133.35



TVÄLLEN/ENHET wash-stand with drawers/wash-basin,	
44×43×65 cm.	
White	196.133.54



TVÄLLEN/ENHET wash-stand with drawers/wash-basin,	
64×43×65 cm.	
White	496.133.43

Legs

Legs increase the stability of the cabinet and you can coordinate with the colour of your other ENHET frames. The legs are adjustable to compensate any irregularities in the floor.



ENHET legs for closed cabinet, 23.5 cm, 2-p. Adjustable from 22–24.5 cm.	
White	704.490.20



ENHET legs for closed cabinet, 12.5 cm, 2-p. Adjustable from 11–13.5 cm.	
White	104.490.18



ENHET legs for open frames, 23.5 cm, 2-p.	
White	004.599.13
Anthracite	804.599.14

ENHET – all parts

Open frames



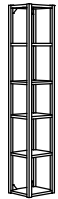
ENHET wall shelf frame.	
60×45×40 cm	
White	406.229.88



ENHET wall frame with shelves. This open frame with 2 shelves is a perfect solution for creating extra storage space above the worktop, wash-basin or wherever you have free wall space.	
40×15×75 cm	
White	704.489.35
Anthracite	304.489.37
60×15×75 cm	
White	004.489.67
Anthracite	804.489.68



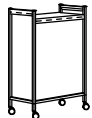
ENHET mirror cabinet.	
40×15×75 cm	
White	193.365.16
Anthracite	993.365.17
60×15×75 cm	
White	793.365.18
Anthracite	593.365.19



ENHET high frame with shelves. This open high frame with 5 shelves gives a good overview and easy access to bowls, bottles, baskets and detergents.	
30×30×180 cm	
White	404.489.46
Anthracite	204.489.47



ENHET supporting side panel/leg.	
60×1.8×87.5 cm	
White	705.160.95



ENHET laundry bag with castors. 28×55×79 cm, 80l. Roll this laundry bag on wheels to wherever it's needed for filling or emptying and then park it in its spot when the job is done.	
White	506.139.07
Anthracite	706.139.06



ENHET Base frame with shelves. This open base frame with 2 shelves gives a good overview and easy access to towels, bottles and baskets.	
40×40×60 cm	
White	604.489.50
Anthracite	404.489.51
60×40×60 cm	
White	804.489.73
Anthracite	604.489.74



ENHET Base frame for washbasin.	
60×40×60 cm	
White	404.644.70
Anthracite	204.644.71

Accessories for ENHET open frame



ENHET swivel shelf, 40×21 cm. Tired of looking for those things that tend to disappear in the kitchen or bathroom? You can easily solve this by attaching this handy swivel shelf to any of the open frames in the ENHET series.	
Anthracite	204.657.34



ENHET hanging mirror for frame, 25×4.5×75 cm. With a mirror above the wash-basin, it will be easier to shave and fix the make-up without any mishaps. It is easy to attach so that you can enjoy the view in no time.	
Anthracite	404.490.74

Other accessories



HEMTRÅSK countertop, 139×63.5 cm.	
White/laminate	205.161.11



ENHET hook, 2-p. To be used on the side of the open frames and supporting side panel.	
Anthracite	604.657.51
White	004.657.54



ENHET Rail for hooks. With this rail you can utilise every centimetre under your open ENHET frame for storage. In no time, you can hang both hooks and containers – without using tools or drill.	
37 cm	
White	104.657.39
Anthracite	704.657.36
57 cm	
White	504.657.42
Anthracite	704.657.41

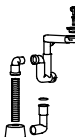
Washbasins for ENHET

Ceramic wash-basins are appreciated for their soft shapes and durable surfaces. Since we manufacture them with care and the best materials, we can proudly offer you a 10-year guarantee on all of them. To be completed with RÄNNILEN water trap and



TVÄLLEN washbasin 1 bowl, ceramics.	
44×43×5 cm	804.508.24
64×33×5 cm	404.801.73
64×43×5 cm	504.508.25

strainer, sold separately. All wash-basins may be fitted into a wash-basin cabinet or 64×33 cm, 64×43 cm and 84×43 cm can be wall hung.



RÄNNILEN water trap with flexible pipe, 1 bowl.	
	205.545.32

SILVERGLANS LED lighting for ENHET – all parts

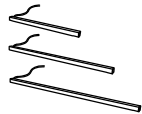
SILVERGLANS LED lighting is designed for the ENHET series. With this LED lighting strip, you enjoy both a functional light and a nice atmosphere in your ENHET bathroom – making the morning and evening routines calmer, safer and easier. You can use the lighting strip under or on top ENHET wall cabinets and open wall frames – or use it to create cosy light inside the open

wall frames. With BILRESA remote control you can easily turn on, off and dim your lighting. By connecting this product to DIRIGERA hub, you get even more out of it and can also control it, together with other smart products, in the IKEA Home smart app.



SILVERGLANS driver, 30W , wireless control, approved for bathroom, white.

104.747.72



SILVERGLANS LED Lighting strip.

Anthracite

40 cm 305.286.70

60 cm 205.292.17

White

40 cm 705.286.68

60 cm 105.292.27

80 cm 705.293.66



BILRESA remote control, white smart/dual button.

106.041.65



DIRIGERA hub for smart product.

White

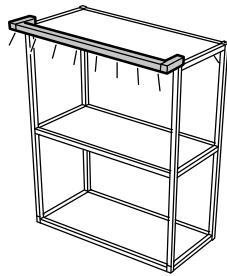
105.034.06

How to mount SILVERGLANS for ENHET bathroom series

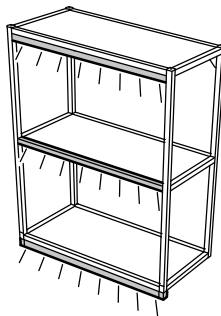
There are a few different ways to mount SILVERGLANS on ENHET open and closed solutions, see examples below.

The detailed information on how to do this is available in the Assembly Instructions for your products.

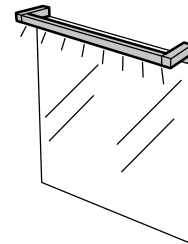
ENHET open frames



On top of frame

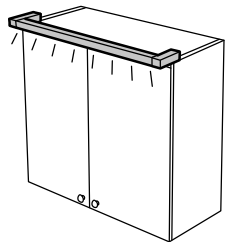


Under shelf

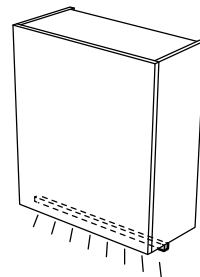


Above mirror

ENHET closed solutions



On top of cabinet



Under cabinet

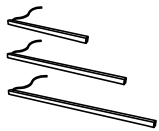
NOTE! In some countries electrical installation work may only be carried out by an authorised electrical contractor. Contact your local electricity authority for advice.

Complete your combination with lighting

How to build

- When you start building your system, you must first consider the widths of your cabinets. E.g. for a cabinet with a width of 60 cm, you'll need the SILVERGLANS lighting strip 60 cm.
- Choose the number of SILVERGLANS lighting strips that you need.
- Add the SILVERGLANS LED driver.
You can connect up to 5 units to the driver, as long as the total wattage does not exceed 30W.
- SILVERGLANS driver needs to be connected to your wired-in electrical installation. In some countries electrical installation work may only be carried out by an authorized electrical contractor. Contact your local electricity authority for advice.
- Add BILRESA remote control to dim your lighting. Pair the dimmer to the SILVERGLANS driver and the entire combination will dim at the same time.
- Add the DIRIGERA hub to control SILVERGLANS lighting from the IKEA Home smart app in different ways together with other smart product in your home.

Basic parts



SILVERGLANS LED bathroom lighting strip



SILVERGLANS driver for wireless control
Power: 30W



BILRESA remote control



DIRIGERA hub

Installation accessories

Services

We offer a range of services to help you with everything from putting it together to getting it home. Of course, the more you do yourself, the lower the price will be. And the more we do for you, the more you can sit back and relax!

Delivery service

Add our delivery service to your total cost regardless of whether you're shopping online or in your local store. We can deliver the same day/next day within the store delivery area. And, we don't just stop at your front door, we deliver all the way to your room of choice

Assembly service

We assemble your IKEA furniture in your home following the assembly instructions. The assembly service includes a free 1-year guarantee on workmanship, and disposal of all packaging in an environmentally friendly way.

It's ok to change your mind

You have 365 days to return your purchase. Keep your receipt safe to make returns easier. You're free to change your mind. Return unused items in their original packaging within 365 days together with proof of purchase for a full refund.

Guidance

Enjoy fast and easy guidance on the way to your new IKEA kitchen. Below you find brochures and tools that will assist you in every step of the journey. All materials are available at your local IKEA store or online at [IKEA.com](https://www.ikea.com).

IKEA.com

On our webpage you'll find lots of inspiration and ideas to get the most out of your ENHET bathroom, whether it's a new one or an old that you want to freshen up. Plus, here you'll find all products that you can imagine to personalise and create the bathroom of your dreams.

ENHET Bathroom installation guide

Our ENHET bathroom installation guide gives you tips and step-by-step instructions on how to install your bathroom on your own. Just remember, you can do it all by yourself, but you don't have to. Read about our services on page 16.

Shop at IKEA



IKEA online
For more information about
Shop at IKEA visit [IKEA.com](https://www.ikea.com)



Visit the IKEA store:
For opening hours and directions to
your nearest IKEA store, visit our
website at [IKEA.com](https://www.ikea.com)