

OMNEJD

en



Design and Quality
IKEA of Sweden



6x

1x

1x

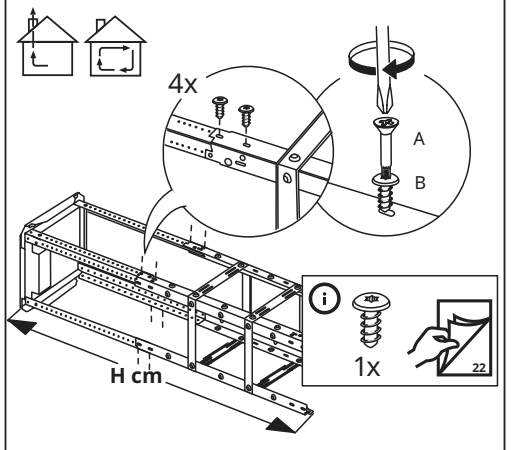
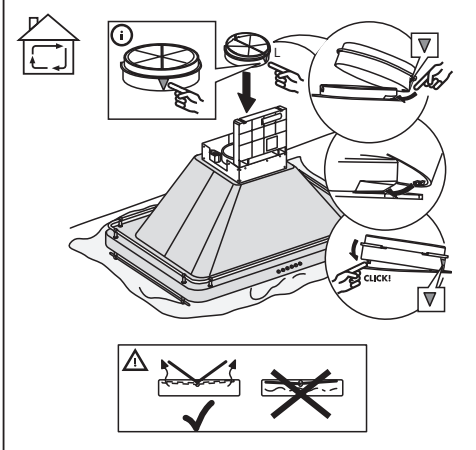
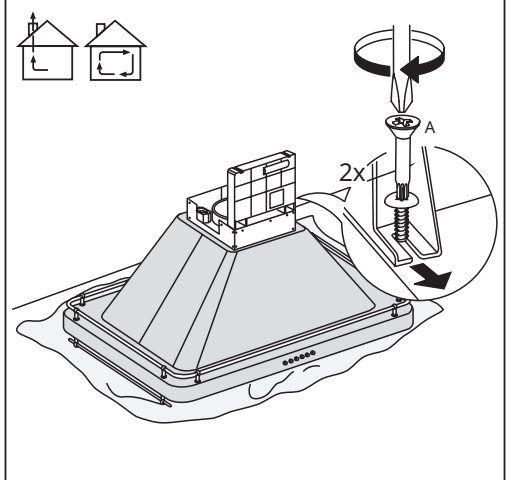
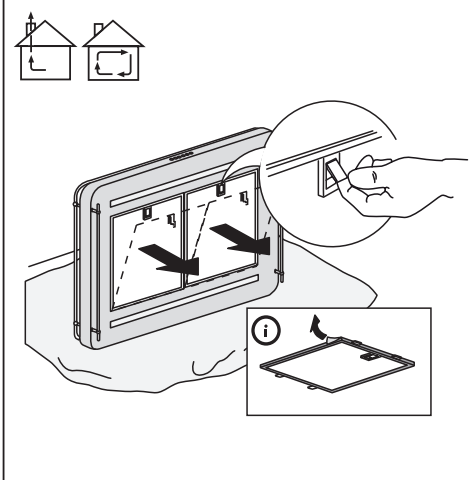
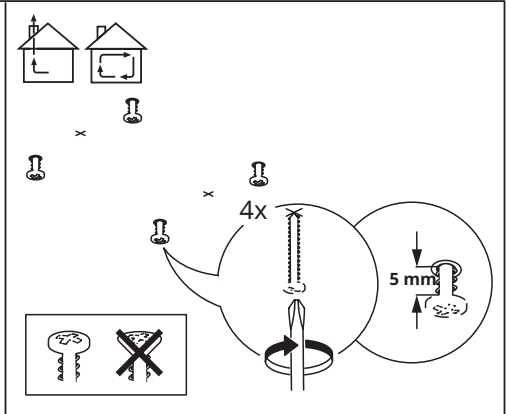
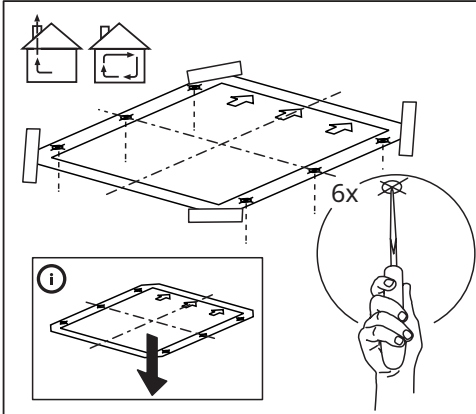
2x

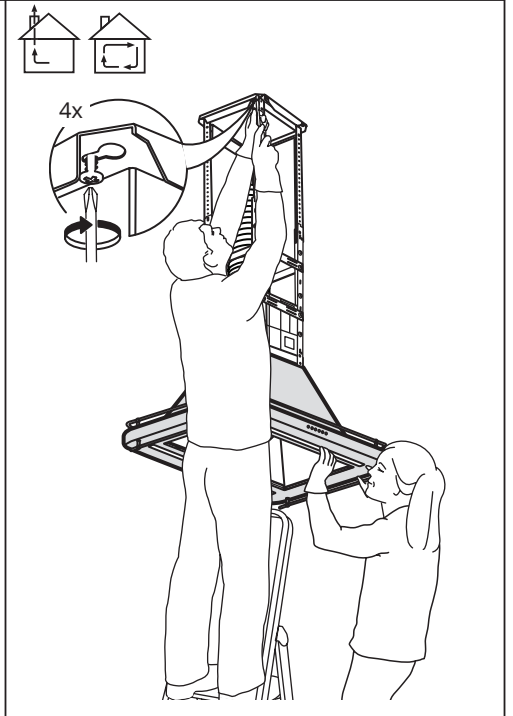
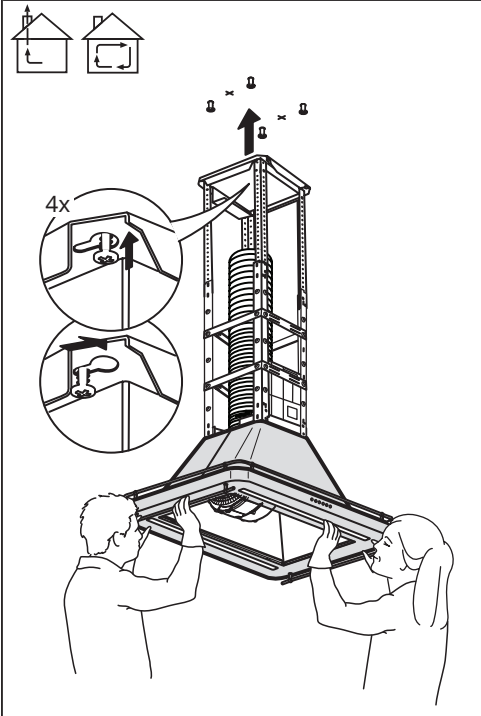
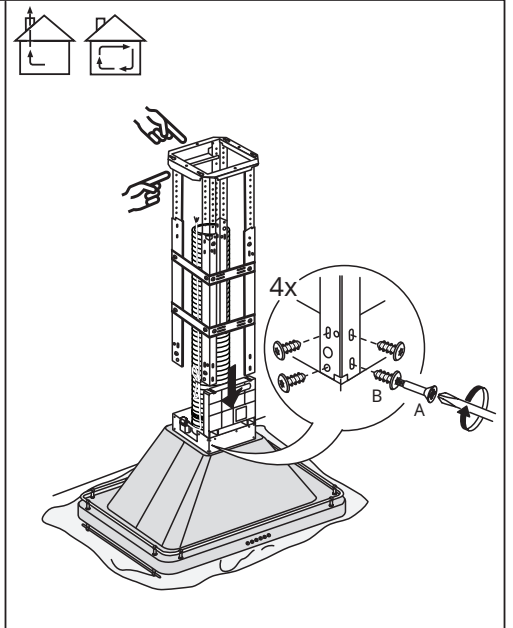
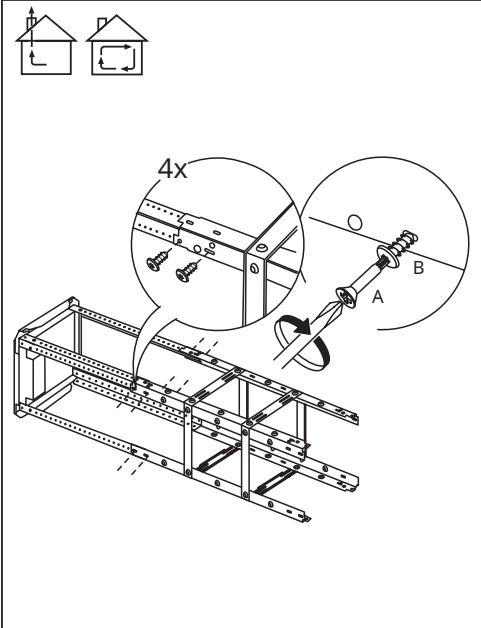
2x

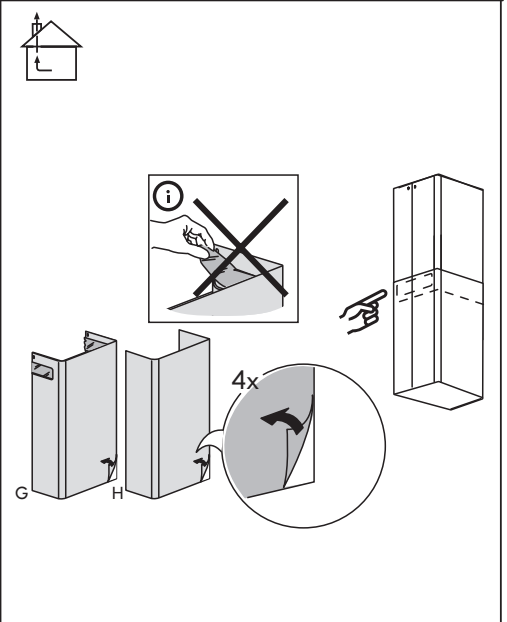
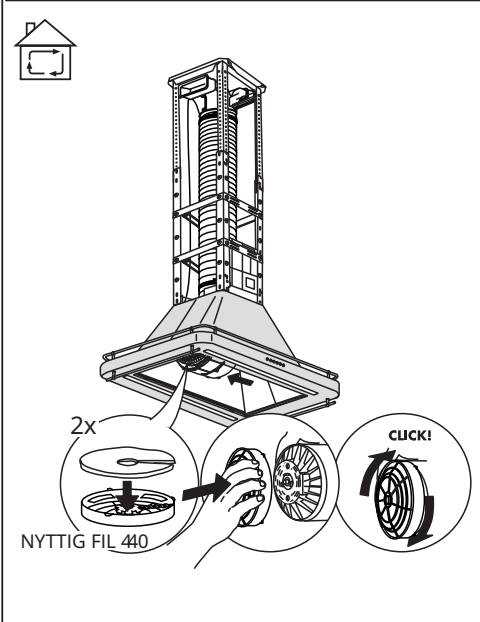
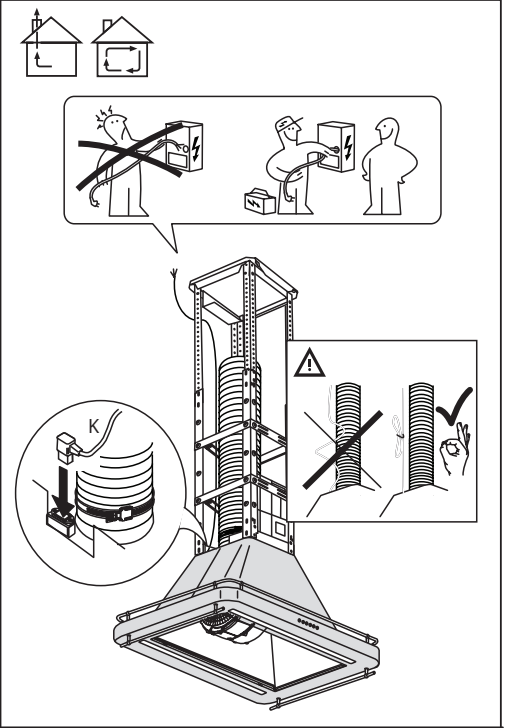
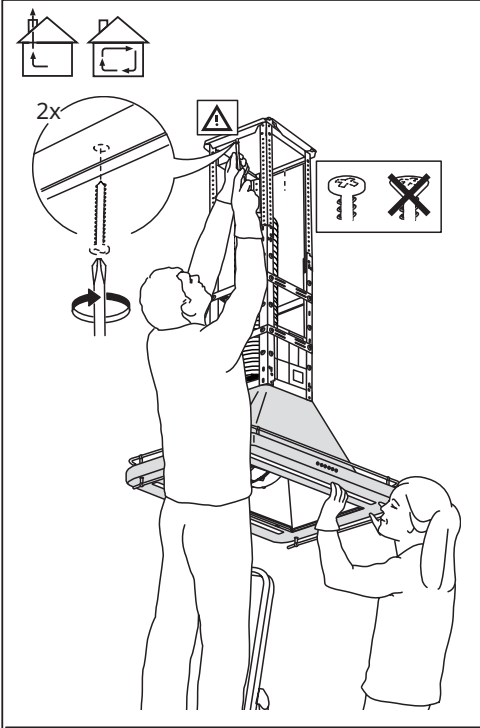
H min. 500 mm
H min. 600 mm (AU/NZL)

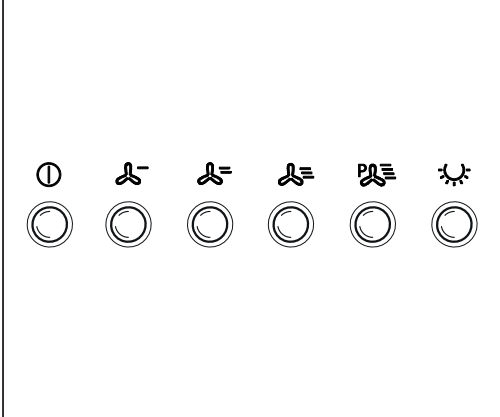
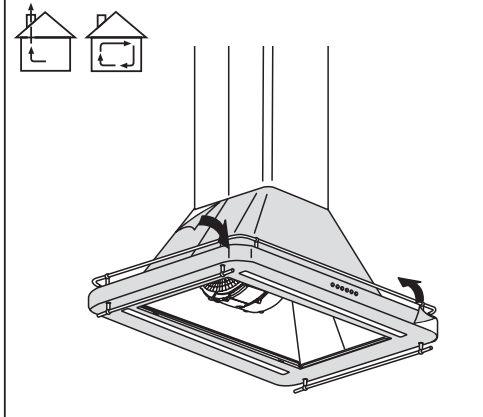
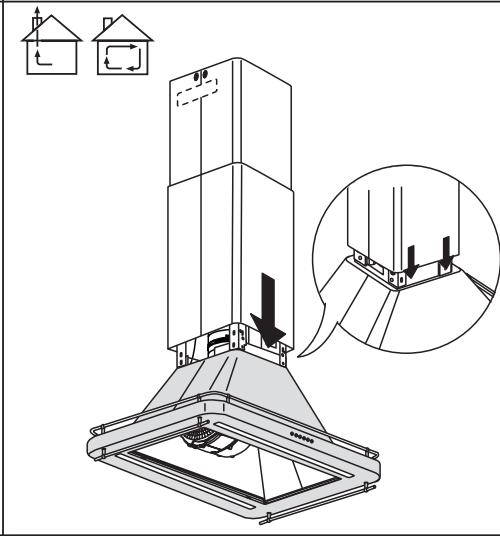
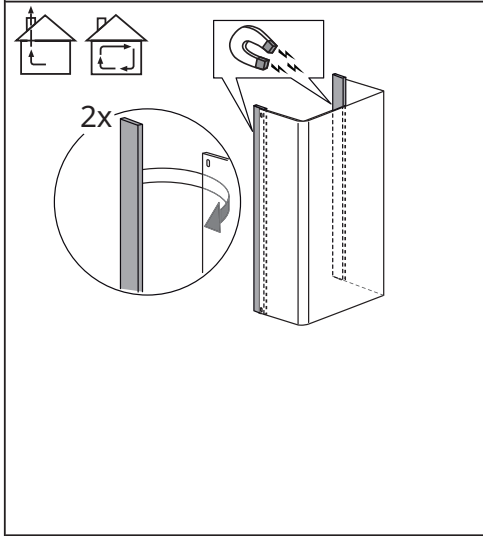
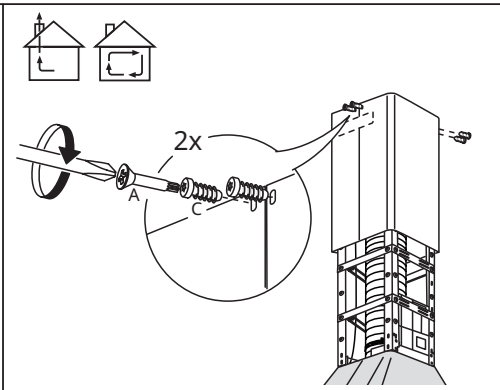
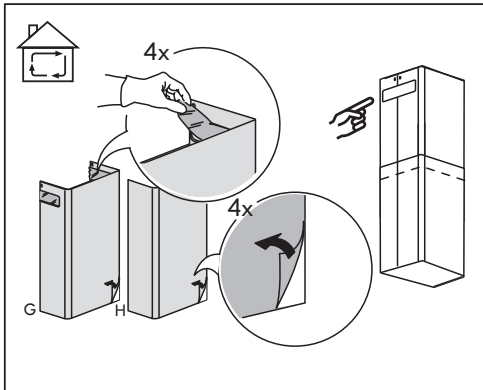
H min. 650 mm

Max 2 kg
(4,4 lb)










Safety instructions


Before the first use


For your own safety and for the correct operation of the appliance, please read this manual carefully before installation and commissioning. Look at the warning pictures at the beginning of this manual carefully. For correct and complete installation, refer to the specific installation manual supplied with the product.

Always keep these instructions with the appliance, even if it is transferred to a third party. It is important for the users to be familiar with all the operating and safety features of the appliance.



 The danger symbol, relating to safety, which warns of potential risks for the user and for others.

All safety-related messages will be preceded by the danger symbol and by the following terms:

 **DANGER:** indicates a dangerous situation which, if not avoided, will result in serious injuries.

 **WARNING:** indicates a dangerous situation which, if not avoided, may result in serious injuries.


All safety warnings provide specific details concerning the possible danger, as well as instructions on how to reduce the risk of injuries, damage and electric shock resulting from using the appliance in an improper way. Follow these instructions carefully.


- Make sure that the appliance has not been damaged during transport
- Remove the cardboard protections and any protective film and stickers from the accessories.
- Installation operations and electrical connections must be carried out by a qualified technician, following the manufacturer's instructions and in accordance with local safety regulations. Do not repair or replace any part of the appliance unless specifically recommended in the user manual.
- The appliance must be disconnected from the electrical power supply before performing any installation operation.
-  **WARNING:** failure to install the screws or fastening elements indicated by the instructions may cause electrical hazards.
- By law, the appliance must be earthed. (Not possible for class II hoods identified by the symbol  on the serial number plate).
- Do not pull the power cable to unplug the appliance from the wall socket.
- When installation is complete, the electrical components must no longer be accessible by the user.
- Do not touch the appliance with wet or damp body parts and do not use it barefoot.
- This appliance can be used by children over the age of 8 and by people with reduced physical, sensory or mental capabilities or with unsuitable experience and knowledge only if supervised and if they have received instructions on the safe use of the appliance and understand the risks involved. Children must be supervised to ensure they do not play with the device. Cleaning and routine maintenance must never be performed by children without adult supervision.
- All other maintenance operations must be carried out by a specialised technician.
- When drilling holes in the wall, take care not to damage electrical connections and/or pipes.
- The ventilation openings must always be directed towards the open air.
- The manufacturer shall not be held responsible for any damage caused by improper use or incorrect settings.
- Proper maintenance and cleaning ensure correct operation and the best performance of the appliance. Regularly remove all stubborn dirt from the surface

to avoid grease build-up. Remove and clean or change the filter regularly. To do this, follow the instructions given in the paragraph "Cleaning and Maintenance".

- Do not cook food over the flame ("flambé") under the appliance. The use of open flames may cause a fire.
- Failure to follow the instructions when cleaning the hood and when cleaning and replacing the filters may result in the risk of fire.
- The exhaust air must not be discharged through the same duct used to extract the fumes generated by appliances burning gas or other fuels, but it must have an independent outlet.
- All national regulations regarding exhaust air must be complied with.
- There must be adequate ventilation if the hood is used with other appliances burning gas or other fuels. The negative pressure of the room must not be above 4 Pa (4 x 10⁻⁵ bar). For this reason, make sure that the room is well ventilated. If in doubt, contact an authorised service centre or a qualified professional.

- Do not leave pans on the stove unattended while frying food, as the oil used for frying can catch fire.
- Before touching the light bulbs, make sure that they are cold.
- Do not use or leave the hood without the light bulb correctly installed, because it might cause an electric shock.
- The hood is not a worktop: do not place objects on it or overload it.
- For all installation and maintenance operations, always use suitable work gloves.
- The appliance is not suitable for outdoor use.

 **WARNING:** when the hob is on, the accessible parts of the hood may become hot.

 **WARNING:** this appliance is heavy; the hood must be lifted and installed by two or more people only. The minimum distance between the hob and the lower part of the hood must not be less than 65 cm for hobs with gas or other fuel burners and 50 cm for electric cookers. Before installing, also check the minimum distances indicated in the hob manual. If the hob installation instructions indicate a greater distance, it must be taken into account.

Installation

The hood is designed to be installed and used in "suction" or "recirculation" mode.

Suction version (see the symbol  in the installation instructions)

The steam produced while cooking is sucked in and conveyed outdoors through an exhaust pipe (not supplied) connected to the hood steam outlet.

Make sure that the exhaust pipe is installed correctly in the air outlet using a suitable connection system.

Important: if already installed, remove the carbon filter(s).

Air recirculation version

(see the symbol  in the installation instructions)

The air is filtered through one or more filters and then conveyed back into the room.

Important: make sure that there is correct air circulation around the hood.

Important: if the hood is not supplied with carbon filters, they must be ordered and installed before using the appliance. The filters are available at IKEA stores.

The hood must be installed away from particularly dirty areas, windows, doors and heat sources.

The accessories for wall mounting are not included because walls made of different materials require different types of accessories. Use fastening systems suitable for the walls in your home and


appropriate for the weight of the appliance. For further details, contact a specialist dealer.

Keep these instructions for future reference.

Environmental protection advice


The packaging material

The packaging is 100% recyclable and it is

marked with the recycling symbol 

The different parts of the packaging must not be dispersed into the environment; they must be disposed of in accordance with the regulations set out by the local authorities.



The  symbol on the product or documentation provided indicates that this product must not be treated as domestic waste, but must be taken to a suitable waste collection site for the recycling of electrical and electronic appliances.

Cleaning and maintenance

WARNING

- Disconnect the hood from the electrical power supply
- Clean the surfaces using a damp cloth. If very dirty, add a few drops of dishwashing liquid to the water. Dry with a dry cloth.
- Do not use tools or other cleaning instruments.
- Avoid using steam jet cleaners

IMPORTANT: do not use corrosive or abrasive detergents. If one of these products were to accidentally come into contact with the appliance, clean it immediately with a damp cloth.

Use specific detergents to clean the appliance and follow the manufacturer's instructions.

Do not use abrasive sponges, scouring pads or metal scrapers. In the long run, they may damage the surface

IMPORTANT: clean the grease filters at least once a month to remove any oil or grease residues.

Washing the grease filter

The metal grease filter has an unlimited service life and must be washed once a month by hand or in the dishwasher at low temperatures on a short program.

If washed in the dishwasher, the grease filter may become slightly discoloured, but its filtering properties will not change.

Carbon filter maintenance.

The anti-odour filter must be washed and regenerated every 3-4 months (or more frequently if the hood is subjected to intensive use), up to a maximum of 8 regeneration cycles (in case of particularly intense use, it is advisable not to exceed 5 cycles).

Regeneration procedure

- Wash in the dishwasher at a maximum temperature of 70°C or by hand in warm water without using abrasive sponges (do not use detergents!)
- Dry in the oven at a maximum temperature of 70°C for 2 hours, or leave it to dry at room temperature, placing the filter in an upright position to facilitate water drainage.

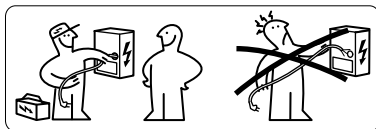
Light bulb maintenance

The hood is equipped with a LED lighting system.

LEDs provide optimal illumination, last up to 10 times longer than conventional lamps and save 90% of electricity.

To replace them, contact the Authorised Service Centre.

Electrical connection



⚠ WARNING: All electrical connections must be made by an authorised installer. Make sure that the voltage indicated on the product plate corresponds to the mains voltage.

This information is indicated inside the hood, beneath the grease filter.

⚠ WARNING: If the hood is equipped with a plug, connect the appliance to a wall socket that complies with current standards, located in an accessible area. The hood comes with a special power

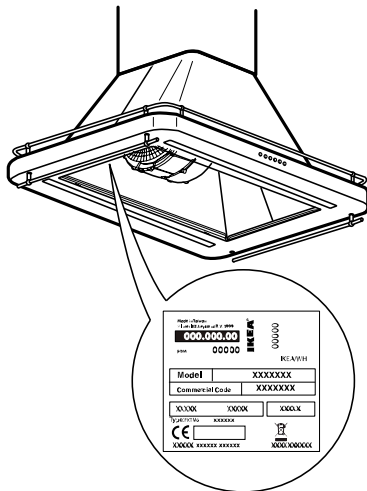
cable (type H05 VV-F); if it is damaged, ask the technical assistance service for a replacement.

If it is not equipped with a plug (direct connection to the mains), or if the nearest wall socket is not in an accessible area, install a standardised double-pole switch that provides complete isolation from the mains in the event of a category III overvoltage, in accordance with the wiring regulations.

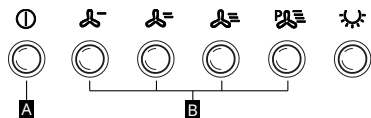
⚠ WARNING: Do not weld the cables!

Data Plate

The technical specifications are indicated on the plate on the inner side of the appliance



Control Panel



A Motor OFF button

B Motor ON button

IKEA WARRANTY

How long does the IKEA warranty last?

This warranty is valid for 5 years from the date of purchase/delivery of your appliance from an IKEA store. You will need to show your original receipt as proof of purchase. Any servicing carried out during the warranty period does not extend the warranty period.

Who provides the service?

The assistance service chosen and authorised by IKEA will provide the service through its network of authorised Service Partners.

What does this warranty cover?

The warranty covers any manufacturing defects (functional defects), from the date of purchase/delivery of the appliance. This warranty applies to domestic use only. Any exceptions are described under "What is not covered by the warranty?". During the warranty period, repair costs (spare parts, labour and travel costs of technicians) will be borne by the assistance service, provided that access to the equipment for repair work does not involve any special costs. These conditions are in accordance with EU directives (No. 99/44/EC) and local regulations. Any replaced components become the property of IKEA.

How will IKEA solve the problem?

The assistance service appointed by IKEA to carry out the intervention will examine the product and decide, at its sole discretion, whether it is covered by the warranty or not. The IKEA Assistance Service or its authorised Service Partner, through their respective Service Centres, at their sole discretion, will repair the defective product or replace it with an equal product or one of equivalent value.

What is not covered by the warranty?

- Normal wear and tear
- Damage caused deliberately, damage caused by failure to comply with the operating instructions, incorrect installation or by connecting to an incorrect

voltage. Damage caused by chemical or electro-chemical reactions, rust, corrosion or damage caused by water, including damage caused by the presence of excessive limescale in the water pipes. Damage caused by weather and natural events.

- Consumables, including batteries and light bulbs.
- Damage to non-functional and decorative parts that do not affect the normal use of the appliance, including scratches and colour differences.
- Accidental damage caused by foreign bodies or substances and damage caused by cleaning or eliminating clogging from filters, drainage systems or detergent trays.
- Damage to the following components: glass ceramic, accessories, baskets for cutlery and tableware, supply and drainage pipes, light bulbs and light bulb covers, grilles, knobs, coating and parts of coating. Unless it can be proved that such damage was caused by manufacturing errors.
- Cases in which functional defects are not found by the technician upon inspection.
- Repairs not performed by our authorised Assistance Service and/or by an authorised contractual Service Partner or if non-original spare parts are used.
- Repairs caused by incorrect installation or installation not in accordance with the specifications.
- Cases of improper use and/or non-domestic use of the appliance, e.g. professional use.
- Transport damage. If it is the customer who transports the product to his/her home or to another address, IKEA is not responsible for any damage that may occur during transport. On the other hand, if IKEA delivers the product to the

customer's address, any damage to the product during transport will be covered by IKEA.

- Costs relating to the first installation of the IKEA appliance. However, if an IKEA service provider or its authorised partner repairs or replaces the appliance within the terms of this warranty, the service provider or authorised partner will reinstall the repaired appliance or install the replacement appliance, if necessary. These restrictions do not apply to regular work carried out by qualified technicians with original spare parts to adapt the appliance to the technical safety regulations of another EU country.

Application of national laws

The customer is the owner of the rights provided for by the Italian Legislative Decree no.206/2005 and this 5 (five) year IKEA warranty does not affect these rights which meet or extend the minimum legal rights of each country in terms of warranty. These conditions do not, however, limit the customer's rights, as defined by local laws, in any way.

Area of validity

For appliances purchased in one EU country and taken to another EU country, the services will be provided according to the warranty conditions applicable in the new country. The obligation to provide the service based on the warranty conditions exists only if the appliance complies with and is installed according to:

- the technical specifications of the country in which the application of the warranty is required;
- the safety information contained in the Assembly Instructions and in the User Manual.

The dedicated ASSISTANCE service for IKEA appliances

Do not hesitate to contact the Authorised Service Centre appointed by IKEA to:

- request technical assistance during the warranty period

- request information on the operation of IKEA appliances.

To ensure you get the best assistance, please read the assembly instructions and/or the instruction manual of the product carefully before contacting us.

How to contact us if you need assistance



Please contact the IKEA Service Centre. You will find the phone number on the last page of this manual.

i In order to provide you with faster service, we suggest that you use the telephone numbers listed in this manual. Always refer to the numbers indicated in the manual of the appliance for which you require assistance. We advise you to always have available the IKEA code (8 digits) and the 12-digit code indicated on the label on your product.

i KEEP THE PURCHASE/DELIVERY DOCUMENT!

It is your proof of purchase and the warranty will not be valid without it. The receipt also features the name and the IKEA article number (8 digits) for each appliance purchased.

Need more help?

For any information not involving assistance, please refer to the Customer Service of your reference IKEA store. Please read the technical documentation provided with your appliance carefully before contacting us.

BELGIË - BELGIQUE - BELGIEN

Telefoon/Numéro de téléphone/Telefon-Nummer:	026200311
Tarief/Tarif/Tarif: Lokaal	tarief/Prix d'un appel local/Ortstarif
Openingstijd:	Maandag - Vrijdag 8.00 - 20.00
Heures d'ouverture:	Lundi - Vendredi 8.00 - 20.00
Öffnungszeiten:	Montag - Freitag 8.00 - 20.00

БЪЛГАРИЯ

Телефонен номер:	02 4003536
Тарифа:	Локална тарифа
Работно време:	понеделник - петък 8.00 - 20.00

ČESKÁ REPUBLIKA

Telefonní číslo:	225376400
Sazba:	Místní sazba
Pracovní doba:	Pondělí - Pátek 8.00 - 20.00

DANMARK

Telefonnummer:	70150909
Takst:	Lokal takst
Åbningstid:	Mandag - fredag 9.00 - 20.00 Lørdag 9.00 - 18.00 (Åbent udvalgte søndage, se IKEA.dk)

DEUTSCHLAND

Telefon-Nummer:	06929993602
Tarif:	Ortstarif
Öffnungszeiten:	Montag - Freitag 8.00 - 20.00

ΕΛΛΑΔΑ

Τηλεφωνικός αριθμός:	2109696497
Χρέωση:	Τοπική χρέωση
Ωρες λειτουργίας:	Δευτέρα - Παρασκευή 8.00 - 20.00

ESPAÑA

Teléfono:	913754126 (España Continental)
Tarifa:	Tarifa local
Horario:	Lunes - Viernes 8.00 - 20.00

EESTI

<http://www.ikea.com>

FRANCE

Numéro de téléphone:	0170480513
Tarif:	Prix d'un appel local
Heures d'ouverture:	Lundi - Vendredi 9.00 - 21.00

HRVATSKA

Broj telefona:	0800 3636
Tarifa:	Localna tarifa
Radno vrijeme:	Ponedjeljak - Petak 8.00 - 20.00

ÍSLAND

Símanúmer:	5852409
Kostnaður við símtal:	Almennt mínútuverð
Opnunartími:	Mánudaga - Föstudaga 9.00 - 17.00

ITALIA

Telefono:	0238591334
Tariffa:	Tariffa locale
Orari d'apertura:	Lunedì - Venerdì 8.00 - 20.00

LATVIJA

<http://www.ikea.com>

LIETUVIŲ

Telefono numeris:	(0) 520 511 35
Skambučio kaina:	Vietos mokestis
Darbo laikas:	Nuo pirmadienio iki penktadienio 8.00 - 20.00

LUXEMBOURG

Numéro de téléphone:	035220882569
Tarif:	Prix d'un appel local
Heures d'ouverture:	Lundi - Vendredi 8.00 - 18.00

MAGYARORSZÁG

Telefon szám:	(06-1)-3285308
Tarifa:	Helyi tarifa
Nyitvatartási idő:	Hétfőtől - Péntekig 8.00 - 20.00

NEDERLAND

Telefoon:	0900-235 45 32 en/of 0900 BEL IKEA 0031-50 316 8772 international
Tarief:	Geen extra kosten. Alleen lokaal tarief.
Openingstijd:	Maandag t/m - Vrijdag 8.00 - 21.00 Zaterdag 9.00 - 21.00 Zondag / Feestdagen 10.00 - 18.00



NORGE

Telefon nummer:	23500112
Takst:	Lokal takst
Åpningstider:	Mandag - Fredag 8.00 - 20.00

ÖSTERREICH

Telefon-Nummer:	01360 2771461
Tarif:	Ortstarif
Öffnungszeiten:	Montag - Freitag 8.00 - 20.00

POLSKA

Numer telefonu:	225844203
Stawka operatora:	Koszt połączenia według taryfy
Godziny otwarcia:	Poniedziałek - Piątek 8.00 - 20.00

PORTUGAL

Telefone:	213164011
Tarifa:	Tarifa local
Horario:	Segunda - Sexta 9.00 - 21.00

REPUBLIC OF IRELAND

Phone number:	016590276
Rate:	Local Rate:
Opening hours:	Monday - Friday 8.00 - 20.00

ROMÂNIA

Număr de telefon:	021 2044888
Tarif:	Tarif local
Orar:	Luni - Vineri 8.00 - 20.00

РОССИЯ

Телефонный номер:	84957059426
Стоимость звонка:	Местная стоимость звонка
Время работы:	Понедельник - Пятница 9.00 - 21.00 (Московское время)

SCHWEIZ - SUISSE - SVIZZERA

Telefon-Nummer/Numéro de téléphone/Telefono:	0225675345
Tarif/Tarif/Tariffa:	Ortstarif/Prix d'un appel local/Tariffa locale
Öffnungszeiten:	Montag - Freitag 7.30-12.00/13.00-17.30
Heures d'ouverture:	Lundi - Vendredi 7.30-12.00/13.00-17.30
Orario d'apertura:	Lunedì - Venerdì 7.30-12.00/13.00-17.30

SLOVENSKO

Telefónne číslo:	(02) 50102658
Cena za hovor:	Cena za miestny hovor
Pracovná doba:	Pondelok až piatok 8.00 - 20.00

SLOVENIJA

<http://www.ikea.com>

SRBIJA

Broj telefona:	011 7 555 444
stopa:	lokalna kurs
Radno vreme:	Ponedjeljak - subota 9.00 - 20.00 nedelja 9.00 - 18.00

SUOMI

Puhelinnumero:	0981710374
Hinta:	Yksikköhinta
Aukioloaika:	Maanantaista perjantaihin 8.00 - 20.00

SVERIGE

Telefon nummer:	0775-700 500
Taxa:	Lokal samtal
Öppet tider:	Måndag - Fredag 8.30 - 20.00 Lördag - Söndag 9.30 - 18.00

UNITED KINGDOM

Phone number:	02076601517
Rate:	Local rate
Opening hours:	Monday - Friday 8.30am - 6.30pm Saturday 8.30am - 5.30pm Sunday 9.30am - 3.30pm

