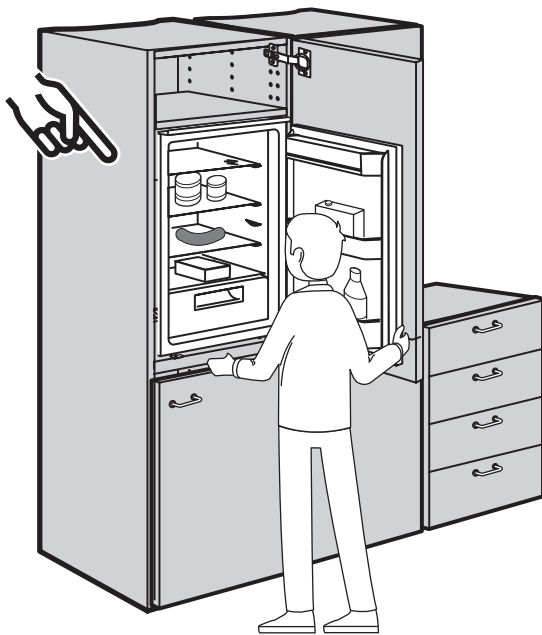
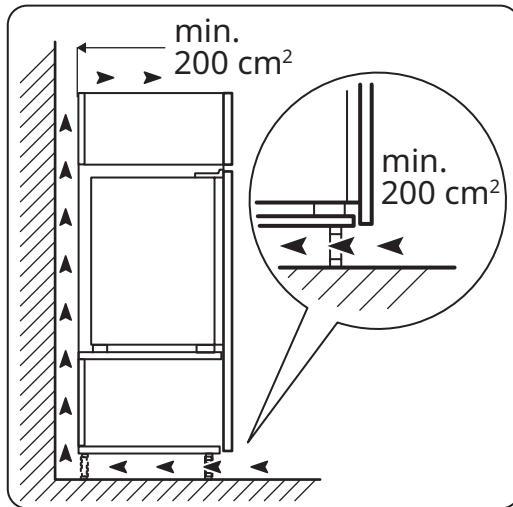


LAGAN

en



Design and Quality
IKEA of Sweden



Safety information

This section includes the safety instructions necessary to prevent the risk of personal injury or material damage.

The manufacturer declines any liability for failure to observe these safety instructions, for inappropriate use of the appliance or incorrect setting of controls.

Do not repair or replace any part of the product unless otherwise specified in the user manual. Do not perform any modifications on the product.

PURPOSE OF USAGE

⚠ This product is not intended for commercial use and it shall not be used out of its intended purpose.

This product is intended for operating interiors, such as households or similar.

For example, in:

- staff kitchens in stores, offices and other working environments
- farm houses
- hotel/motel units or other resting facility used by customers
- hostels or similar environments
- catering services or similar non-retail applications.

This product shall not be used in open or enclosed external environments such as vessels, balconies or terraces. Exposing the product to rain, snow, sunlight and wind may cause risk of fire.

SAFETY OF CHILDREN, VULNERABLE PERSONS AND PETS

- This product may be used by children aged 8 years and older and persons with underdeveloped physical, sensory or mental capabilities or lack of experience and knowledge if they have been given supervision or instruction concerning safe use of the appliance and the hazards involved.
- Children between 3 and 8 years are allowed to put food in and take food out from the cooler product.

⚠ Electrical products are dangerous for children and pets. Children and pets must not play with, climb on, or enter the product.

⚠ Cleaning and user maintenance should not be performed by children unless there is someone overseeing them.

⚠ Keep the packaging materials away from children. Risk of injury and suffocation.

Before disposing of old products:

1. Unplug the power cord from the mains socket.
2. Cut the power cord and remove it from the appliance together with the plug.
3. Do not remove the racks and drawers from the product to prevent children from getting inside the appliance.
4. Remove the doors.
5. Store the product so that it shall not be tipped over.
6. Do not allow children to play with the scrapped product.
 - Do not dispose of the product by throwing it into fire. Risk of explosion.
 - If there is a lock available in the product's door, keep the key out of children's reach.

ELECTRICAL SAFETY

- The product shall not be plugged into the outlet during installation, maintenance, cleaning, repair, and transportation operations.
- If the power the cord is damaged, it shall be replaced by authorized service only to avoid any risk that may occur.
- Do not tuck the power cord under the product or to the rear of the product. Do not put heavy items on the power cord. The power cord should not be bent, crushed, or come into contact with any heat source.
- Do not use an extension cord, multi-plug or adaptor to operate your product.
- Portable multi sockets or portable power supplies may overheat and cause fire. Thus, do not have a multi-plug behind or in the vicinity of the product.
- The plug shall be easily accessible. If this is not possible, a mechanism that meets the electrical legislation and that disconnects all terminals from the mains (fuse, switch, main switch, etc.) shall be

available on the electrical installation.

- Do not touch the plug with wet hands.
- When unplugging the appliance, do not hold the power cord, but the plug.

HANDLING SAFETY

- This product is heavy, do not handle it by yourself.
- Do not move the product by holding the door.
- Be careful not to damage the cooling system and the pipes while handling the product. Do not operate the product if the pipes are damaged, and contact an authorized service.

INSTALLATION SAFETY

- To prepare the product for installation, see the information in the user guide and make sure the electric and water utilities are as required. If the installation is not suitable, call a qualified electrician and plumber to have them make the necessary arrangements. Otherwise, electric shock, fire, issues with the product or injuries may occur.
- Check for any damage on the product before installing it. Do not have the product installed if it is damaged.
- Place the product on a level and hard surface and balance with the adjustable legs. Otherwise, the refrigerator may tip over and cause injuries.
- The product shall be installed in a dry and ventilated environment. Do not keep carpets, rugs or similar floor covers under the product unless recommended by the supplier. This may cause risk of fire as a result of inadequate ventilation!
- Do not block or cover ventilation holes. Otherwise, power consumption may be increased and damage to your product may occur.
- Do not connect the product to supply systems such as solar power supplies. Otherwise, damage to your product may occur as a result of the abrupt voltage fluctuations!
- The more refrigerant a refrigerator contains, the bigger its installation room

shall be. In very small rooms, a flammable gas-air mixture may occur in case of a gas leak in the cooling system. At least 1 m³ of volume is required for each 8 grams of refrigerant. The amount of the refrigerant available in your product is specified in the Type Label.

- The installation place of the product shall not be exposed to direct sunlight and it shall not be in the vicinity of a heat source such as stoves, radiators, etc.

⚠ If you cannot prevent installation of the product in the vicinity of a heat source, you shall use a suitable insulation plate and the minimum distance to the heat source shall be as specified below.

- At least 30 cm away from heat sources such as stoves, heating units and heaters, etc.,
- And at least 5 cm away from electric ovens.
- Your product has the protection class of I. Plug the product in a grounded socket that conforms with the Voltage, Current and Frequency values specified in the type label. The socket outlet shall be equipped with a fuse with a rating of 10 A – 16 A. IKEA of Sweden shall not be responsible for the damages that shall be incurred as a result of operating the product without ensuring ground and electrical connections made as per local or national regulations.
- The product's power cable must be unplugged during installation. Otherwise, risk of electric shock and injury may occur!
- Do not plug the product to loose, broken, dirty, greasy sockets or sockets that have come out of their seats or sockets with a risk of water contact.
- Place the power cord and hoses (if available) of the product so that they shall not cause a risk of tripping over.
- Penetration of humidity to live parts or to the power cord may cause short circuit. Thus, do not use the product in humid environments or in areas where water may splash (e.g. garage or laundry room). If the refrigerator is wet by water, unplug it and contact an authorized service.
- Do not connect your refrigerator to power saving devices. These systems are harmful for the product.

OPERATIONAL SAFETY

- Do not use chemical solvents on the product. These materials contain an explosion risk.
- In case of a failure of the product, unplug it and do not operate until it is repaired by the authorized service. There is a risk of electric shock!
- Do not place a source of flame (e.g. candles or cigarettes) on the product or in the vicinity of it.
- Do not get on the product. Risk of falling and injury!
- Do not use sharp or piercing tools that may cause damage to the pipes of the cooling system. The refrigerant that sprays out in case of puncturing the gas pipes, pipe extensions or upper surface coatings may cause skin irritation or injury to the eyes.
- Do not place and operate electric appliances inside the refrigerators/ deep freezer unless it is advised by the manufacturer.
- Do not jam any parts of your hands or your body to the moving parts inside the product. Be careful to prevent jamming of your fingers between the refrigerator and its door. Be careful while opening or closing the door if there are children around.
- Do not put ice cream, ice cubes or frozen food to your mouth as soon as you take them out of the freezer. Risk of frostbite!
- Do not touch the inner walls, metal parts of the freezer or food kept inside the refrigerator with wet hands. Risk of frostbite!
- Do not place soda cans or cans and bottles that contain fluids that may be frozen in the freezer compartment. Cans or bottles may explode. Risk of injury and material damage!
- Do not use or place materials sensitive against temperature such as flammable sprays, flammable objects, dry ice or other chemical agents in the vicinity of the refrigerator. Risk of fire and explosion!
- Do not store explosive materials such as aerosol cans with flammable materials inside the product.
- Do not place cans containing fluids over the product. Splashing of water on an electrical part may cause the risk of an electric shock or a fire.
- This product is not intended for storage and cooling of medicines, blood plasma, laboratory preparations or similar materials and products that are subject to the Medical Products Directive.
- If the product is used against its intended purpose, it may cause damage to or deterioration of the products kept inside.
- If your refrigerator is equipped with blue light, do not look at this light with optical devices. Do not stare directly at UV LED light for a long time. Ultraviolet rays may cause eye strain.
- Do not fill the product with more food than its capacity. Injuries or damages may occur if refrigerator contents fall when the door is opened. Similar problems may occur when an object is placed on top of the product.
- Ensure that you have removed any ice or water that may have fallen to the floor to prevent injuries.
- Change the locations of the racks/bottle racks on the door of your refrigerator while the racks are empty only. Danger of physical injury!
- Do not place objects that may fall/tipped on top of the product. These objects may fall while opening or closing the door and cause injuries and/or material damages.
- Do not hit or exert excessive pressure on glass surfaces. Broken glass may cause injuries and/or material damages.



- The cooling system in your product contains R600a refrigerant. The refrigerant type used in the product is specified in the the type label. This gas is flammable. Therefore, be careful not to damage the cooling system and the pipes while operating the product. In case of damage to the pipes:
 - Do not touch the product or the power cord.
 - Keep the product away from potential

sources of fire that may cause the product to catch fire.

- Ventilate the area where the product is placed. Do not use a fan.

- If the product is damaged and you observe gas leak, please stay away from the gas. Gas may cause frostbite if it comes in contact with your skin.

MAINTENANCE AND CLEANING SAFETY

- Do not pull by the door handle if you are moving the product for cleaning purposes. Handle may cause injuries if it is pulled too hard.
- Do not clean the product by spraying or pouring water on the product and inside the product. Risk of electric shock and fire.
- Do not use sharp or abrasive tools to clean the product.
- Do not use materials such as household cleaning agents, detergents, gas, gasoline, alcohol or wax.
- Only use cleaning agents that are not harmful to food inside the product.
- Do not use steam or steamed cleaning materials for cleaning the product and thawing the ice inside it. Steam contacts the live areas in your refrigerator and causes short circuit or electric shock!
- Take care to keep water away from the electronic circuits or lighting of the product.
- Use a clean, dry cloth to wipe the dust or foreign material on the tips of the plugs. Do not use a wet or damp piece of cloth to clean the plug. Otherwise, risk of fire or electric shock may occur.

Installation

To make the product ready for use, be careful that the electrical wiring and plumbing are appropriate by referring to the information in the user manual. If not, call a qualified electrician and plumber and have the necessary arrangements made.

⚠ WARNING: The manufacturer is not liable for damages caused by operations by unauthorized persons. To avoid shaking, place the product on a flat surface.

⚠ WARNING: During the installation, the

power plug of the product should not be plugged in. Otherwise, there is a danger of death or serious injury!

⚠ WARNING: If the doorway of the room to where the product will be placed is so narrow that the product cannot pass through, pass the product by turning it to side; otherwise, call an authorized service.

- Do not expose the product to direct sunlight and do not store it in humid place.
- Do not install the product where the temperature drops below 10 °C.

Before you start the refrigerator,

Check the following before you start to use your refrigerator:

1. Clean the interior of the refrigerator as recommended in the “Maintenance and cleaning” section.
2. Connect the plug of the refrigerator to the wallsocket. When the fridge door is opened, fridge internal lamp will turn on.
3. When the compressor starts to operate, a sound will be heard. The liquid and gases sealed within the refrigeration system may also give rise to noise, even if the compressor is not running and this is quite normal.
4. Front edges of the refrigerator may feel warm. This is normal. These areas are designed to be warm to avoid condensation.

ELECTRICAL CONNECTION

⚠ WARNING: Do not make connections to the extension cords or multiple sockets.

⚠ WARNING: Damaged power cable must be replaced by an Authorized Service.

⚠ WARNING: When positioning the appliance, ensure the supply cord is not trapped or damaged

- IKEA of Sweden will not be liable for any damages that occur when the product is used without grounding and electrical connections that are according to national regulations.
- The power cord plug must be easily accessible after installation.

- Connect your refrigerator to an outlet with a ground line with 220-240V/50 Hz voltage. Plugs should have a 10-16 A fuse.

CLIMATE CLASS AND DEFINITIONS

Please refer to the Climate Class on the rating plate of your device. One of the following information is applicable to your device according to the Climate Class.

SN: Long Term Temperate Climate: This cooling device is designed for use at ambient

temperatures between 10 °C and 32 °C.

N: Temperate Climate: This cooling device is designed for use at ambient temperatures between 16°C and 32 °C.


ST: Subtropical Climate: This cooling device is designed for use at ambient temperatures between 16°C and 38°C.

T: Tropical Climate: This cooling device is designed for use at ambient temperatures between 16°C and 43°C.

Environmental concerns

Compliance with the WEEE Directive and Disposing of the Waste Product

This product complies with EU WEEE Directive (2012/19/EU). This product bears a classification symbol for waste electrical and electronic equipment (WEEE).


 This symbol indicates that this product shall not be disposed with other household wastes at the end of its service life. Used device must be returned to official collection point for recycling of electrical and electronic devices. To find these collection systems please contact to your local authorities or retailer where the product was purchased. Each household performs important role in recovering and recycling of old appliance. Appropriate disposal of used appliance helps prevent potential negative consequences for the environment and human health.

Compliance with RoHS Directive

The product you have purchased complies with EU RoHS Directive (2011/65/EU). It does not contain harmful and prohibited materials specified in the Directive.



Package information

 Packaging materials of the product manufactured from recyclable materials in accordance with our National Environment Regulations. Do not dispose of the packaging materials together with the domestic or other wastes. Take them to the packaging material collection points designated by the local authorities.

Manufacturer

Ikea of Sweden AB - SE - 343 81 Älmhult, Sweden

Maintenance and cleaning

- Never use gasoline, benzene or similar substances for cleaning purposes.
- We recommend that you unplug the appliance before cleaning.
- Never use any sharp abrasive instrument, soap, household cleaner, detergent and wax polish for cleaning.
- For non-No Frost products, water drops and frosting up to a fingerbreadth occur on the rear wall of the Fridge compartment. Do not clean it; never apply oil or similar agents on it.
- Only use slightly damp microfiber cloths to clean the outer surface of the product. Sponges and other types of cleaning cloths may scratch the surface.
- Use lukewarm water to clean the cabinet of your refrigerator and wipe it dry.
- Use a damp cloth wrung out in a solution of one teaspoon of bicarbonate of soda to

one pint of water to clean the interior and wipe it dry.

- Make sure that no water enters the lamp housing and other electrical items.
- If your refrigerator is not going to be used for a long period of time, unplug the power cable, remove all food, clean it and leave the door open.
- Check door seals regularly to ensure they are clean and free from food particles.
- To remove door racks, remove all the contents and then simply push the door rack upwards from the base.
- Never use cleaning agents or water that contain chlorine to clean the outer surfaces and chromium coated parts of the product. Chlorine causes corrosion on

such metal surfaces.

- Do not use sharp, abrasive tools, soap, household cleaning agents, detergents, kerosene, fuel oil, varnish, etc. to prevent removal and deformation of the prints on the plastic part. Use lukewarm water and a soft cloth for cleaning and then wipe it dry.

Protection of plastic surfaces

- Do not put the liquid oils or oil-cooked meals in your refrigerator in unsealed containers as they damage the plastic surfaces of your refrigerator. In case of spilling or smearing oil on the plastic surfaces, clean and rinse the relevant part of the surface at once with warm water.

IKEA GUARANTEE

How long is the IKEA guarantee valid?

This guarantee is valid for five (5) years from the original date of purchase of your appliance at IKEA. The original sales receipt is required as proof of purchase. If service work is carried out under guarantee, it will not extend the guarantee period for the appliance.

Which LAGAN appliances are not covered by the IKEA 5-year guarantee?

LAGAN appliances purchased from IKEA before 1 May 2026 are covered by a 2-year guarantee, starting from the original date of purchase.

Who will execute the service?

IKEA service provider will provide the service through its own service operations or authorized service partner network.

What does this guarantee cover?

The guarantee covers faults of the appliance, which have been caused by faulty construction or material faults from the date of purchase from IKEA. This guarantee applies to domestic use only. The expectations are specified under the headline "What is not covered under this guarantee?" Within the guarantee period, the costs to remedy the fault e.g. repairs, parts, labour and travel will be covered, provided that the appliance is accessible for repair without special expenditure. On these conditions the EU guidelines (Nr. 99/44/EG) and the respective local regulations are applicable. Replaced parts become the property of IKEA.

What will IKEA do to correct the problem?

IKEA appointed Service Provider will examine the product and decide, at its sole discretion, if it is covered under this guarantee. If considered covered, IKEA Service Provider or its authorized service partner through its own service operations, will then, at its sole discretion, either repair the defective product or replace it with the same or a comparable product.

What is not covered under this guarantee?

- Normal wear and tear.
- Deliberate or negligent damage, damage caused by failure to observe operating instructions, incorrect installation or by

connection to the wrong voltage, damage caused by chemical or electrochemical reaction, rust, corrosion or water damage including but not limited to damage caused by excessive lime in the water supply, damage caused by abnormal environmental conditions.

- Consumable parts including batteries and lamps.
- Non-functional and decorative parts which do not affect normal use of the appliance, including any scratches and possible colour differences.
- Accidental damage caused by foreign objects or substances and cleaning or unblocking of filters, drainage systems or soap drawers.
- Damage to the following parts: ceramic glass, accessories, crockery and cutlery baskets, feed and drainage pipes, seals, lamps and lamp covers, screens, knobs, casings and parts of casings. Unless such damages can be proved to have been caused by production faults.
- Cases where no fault could be found during a technician's visit.
- Repairs not carried out by our appointed service providers and/or an authorized service contractual partner or where non-original parts have been used.
- Repairs caused by installation which is faulty or not according to specification.
- The use of the appliance in a non-domestic environment i.e. professional use.
- Transportation damages. If a customer transports the product to his home or another address, IKEA is not liable for any damage that may occur during transport. However, if IKEA delivers the product to the customer's delivery address, then damage to the product that occurs during this delivery will be covered by IKEA.
- Cost for carrying out the initial installation of the IKEA appliance.
- However, if an IKEA appointed Service Provider or its authorized service partner repairs or replaces the appliance under the terms of this guarantee, the appointed Service Provider or its authorized service partner will reinstall the repaired appliance

- or install the replacement, if necessary.
- This does not apply within Ireland, customer should contact the local IKEA dedicated after sales line or the appointed Service Provider for further information. **(just for GB)**

These restrictions do not apply to fault-free work carried out by a qualified specialist using our original parts in order to adopt the appliance to the technical safety specifications of another EU country.

How country law applies

The IKEA guarantee gives you specific legal rights, which cover or exceed all the local legal demands. However these conditions do not limit in any way consumer rights described in the local legislation.

Area of validity

For appliances which are purchased in one EU country and taken to another EU country, the services will be provided in the framework of the guarantee conditions normal in the new country.

An obligation to carry out services in the framework of the guarantee exists only if the appliance complies and is installed in accordance with:

- the technical specifications of the country in which the guarantee claim is made;
- the Assembly Instructions and User Manual Safety Information.

The dedicated AFTER SALES for IKEA appliances

Please don't hesitate to contact IKEA appointed Authorized Service Centre to:

- make a service request under this guarantee;
- ask for clarifications on installation of the IKEA appliance in the dedicated IKEA kitchen furniture;
- ask for clarification on functions of IKEA appliances.

To ensure that we provide you with the best assistance, please read carefully the Assembly Instructions and/or the User Manual before contacting us.

How to reach us if you need our service



Please refer to the last page of this manual for the full list of IKEA appointed Authorized Service Centre and relative national phone numbers.

i In order to provide you a quicker service, we recommend to use the phone numbers listed on this manual. Always refer to the numbers listed in the booklet of the appliance you need an assistance for. Please also always refer to the IKEA article number (8 digit code).

i SAVE THE SALES RECEIPT!
It is your proof of purchase and required for the guarantee to apply. The sales receipt also reports the IKEA name and article number (8 digit code) for each of the appliances you have purchased.

Do you need extra help?

For any additional questions not related to After Sales of your appliances please contact your nearest IKEA store call centre. We recommend you read the appliance documentation carefully before contacting us.

Spare parts information

- The following spare parts: thermostats, temperature sensors, printed circuit boards and light sources, will be available to professional repairers for a minimum period of seven years, after placing the last unit of the model on the market.
- The following spare parts: door handles, door hinges, trays and baskets will be available to professional repairers and end users for a minimum period of seven years, and door gaskets for a minimum period of 10 years, after placing the last unit of the model on the market.

The spare parts can be found: www.IKEA.com

This refrigerator contains biocidal products in the following parts to prevent dry film fungal growth and unwanted odours.

A

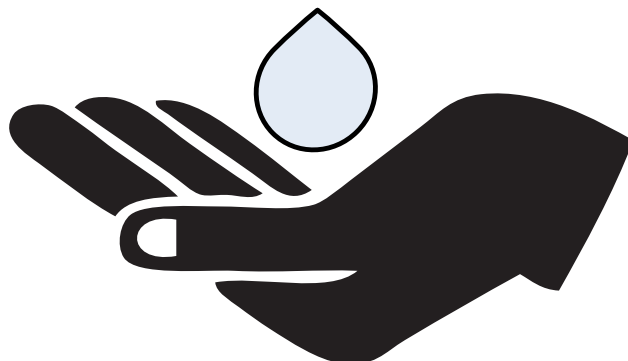
Active substance:

- Silver (CAS: 7440-22-4) contains (nano) silver for door handle and carbon filter.
- Titanium dioxide (CAS 13463-67-7) contains (nano) titanium dioxide for carbon filter.
- IPBC (CAS 55406-53-6) for seal.

B

The concentrations of biocidal products are very low hence they should not pose unacceptable health risks.

C



Country	Phone Number	Call Fee	Opening time
België	0 2 303 75 75	Lokaal nummer	Ma.-Vrij. 09.00-17.00
Belgique		Nombre local	Lun.-Ven. 09.00-17.00
България	0800 45 800	Безплатен телефонен номер	Пон-Нед 9:00-20:00
Česká republika	+420 227 272 613	lokální číslo	7 dní v týdnu 8:00-17:00
Danmark	70 15 09 09 https://serviceinfo.se/onsite/ikea	Landstakst	man. - fre. 09.00 - 20.00 lør. - søn. 09.00 - 18.00
Deutschland	06102 86 86 891	Regional Number	Mo.-Fr. 8.00-18.00
Eesti	3,726,366,525	Vastavalt operaatori tariifile	Es-Re 9:00-17:30
	3,724,427,231	Vastavalt operaatori tariifile	Es-Re 9:00-18:00
	7,344,299	Vastavalt operaatori tariifile	Es-Re 9:00-18:00
	6,512,222	Vastavalt operaatori tariifile	Es-Re 9:00-17:00
Espanã	932 514 201	Numero local	Lunes a Viernes: 9:00 – 20:00
Ελλάδα	+30 2510 392 511/512	Με χρέωση σύμφωνα με τη τιμολογιακή πολιτική του τηλεπικοινωνιακού παρόχου σας	Δευτ. – Παρ. 09.00 – 17.00
France	09 69 37 71 99	Service gratuit + prix appel	Du lundi au vendredi de 9h00 à 19h00.
Nederland	088 - 3425200	Lokaal nummer	Ma-Vrij. 09.00-17.00
Norge	815 59590 https://serviceinfo.se/onsite/ikea	Lokal takst	Mo-Fr: 09.00-15.00
Hrvatska	01 77 100 71	Lokalni poziv	Ponedjeljak - petak od 9:00 - 17:00 Subota od 9:00 - 14:00
Italia	02 7040	National Number	Dal lunedì al sabato - dalle 08.00 alle 20.00
Ireland	01 862 3411	National Number	Mon – Fri 8.00am – 6.00pm Sat – Sun 9.00am – 5.00pm UK Public holidays 9.00am – 5.00pm
Ísland	3,545,202,500	Sveitarfélaga skatta	Mán-Sun: 11:00-17:30
Κύπρος	(+357) 22 502 502	Με χρέωση σύμφωνα με τη τιμολογιακή πολιτική του τηλεπικοινωνιακού παρόχου σας	Δευτ. – Σαβ. 08:00 – 21:00Κυρ. 11:00 – 20:00
Latvija	+(371) 67-42-52-32	Saskaņā ar operatora tarifu	Pir-Pie 9:00-17:30
Lietuva	8 700 55 595	Pagal operatoriaus tarifa	Pir-Pen 9:00-18:00
	370 37 330187	Pagal operatoriaus tarifa	Pir-Pen 9:00-18:00
Luxembourg	0032 2 303 75 75	Tu appelles la Belgique	Lundi- Vendredi. 09.00-17.00
Magyarország	+36 1 210 92 37	Helyi tarifával hívható	Hétfő – Péntek 8:00 - 17:00
Россия	8 800 200 23 56	Федеральная горячая линия	Пн-Пт: 07.00-21.00 Сб-Вс: 08.00-21.00 Праздничные дни: 08.00-17.00
Polska	222 50 14 14	wg taryfy operatora	Poniedziałek - Piątek 8:00 - 20:00
Portugal	00351 215551968	Chamada local (sem custo adicional)	Segunda a Sexta das 9h00 às 18h00
Romania	*9010	Numar national taxat standard	Luni - Vineri 08:30 - 20:00 Sambata - 08:30 - 17:00
Schweiz	0848 801 100	Tarif für Anrufe im Bundesgebiet	Mo-Fri: 8:30 – 19:30 Sa: 8:30 -18:00
Suisse		Tarif des appels nationaux	
Svizzera		Tariffa applicata alle chiamate nazionali	
Slovenija	01 309 3701	Lokalni poziv	Ponedeljek - petek od 8.00 - 18.00
Slovensko	+421 572 909 620	lokálne číslo	7 dní v týždni 8:00-17:00
Srbija	0800 800 008	Besplatan poziv	Ponedeljak - petak od 9:00 - 17:00 Subota od 9:00 - 14:00
Suomi	0800 152 152 https://serviceinfo.se/onsite/ikea	Local number	Mo-Fr: 09.00-16.00
Sverige	775700500 https://serviceinfo.se/onsite/ikea	Lokalsamtal (lokal taxa)	mån-fre 8.30 - 20.00 lör-sön 9.30 - 18.00
United Kingdom	0333 207 9710	National Number	Mon – Fri 8.00am – 6.00pm Sat – Sun 9.00am – 5.00pm UK Public holidays 9.00am – 5.00pm
Österreich	01 26 76 004	Local number	Mo.-Fr. 8.00-17.00
Україна	0800 500 432	Місцевий номер	Понеділок п'ятниця 9:00-18:00

UK
CA
CE