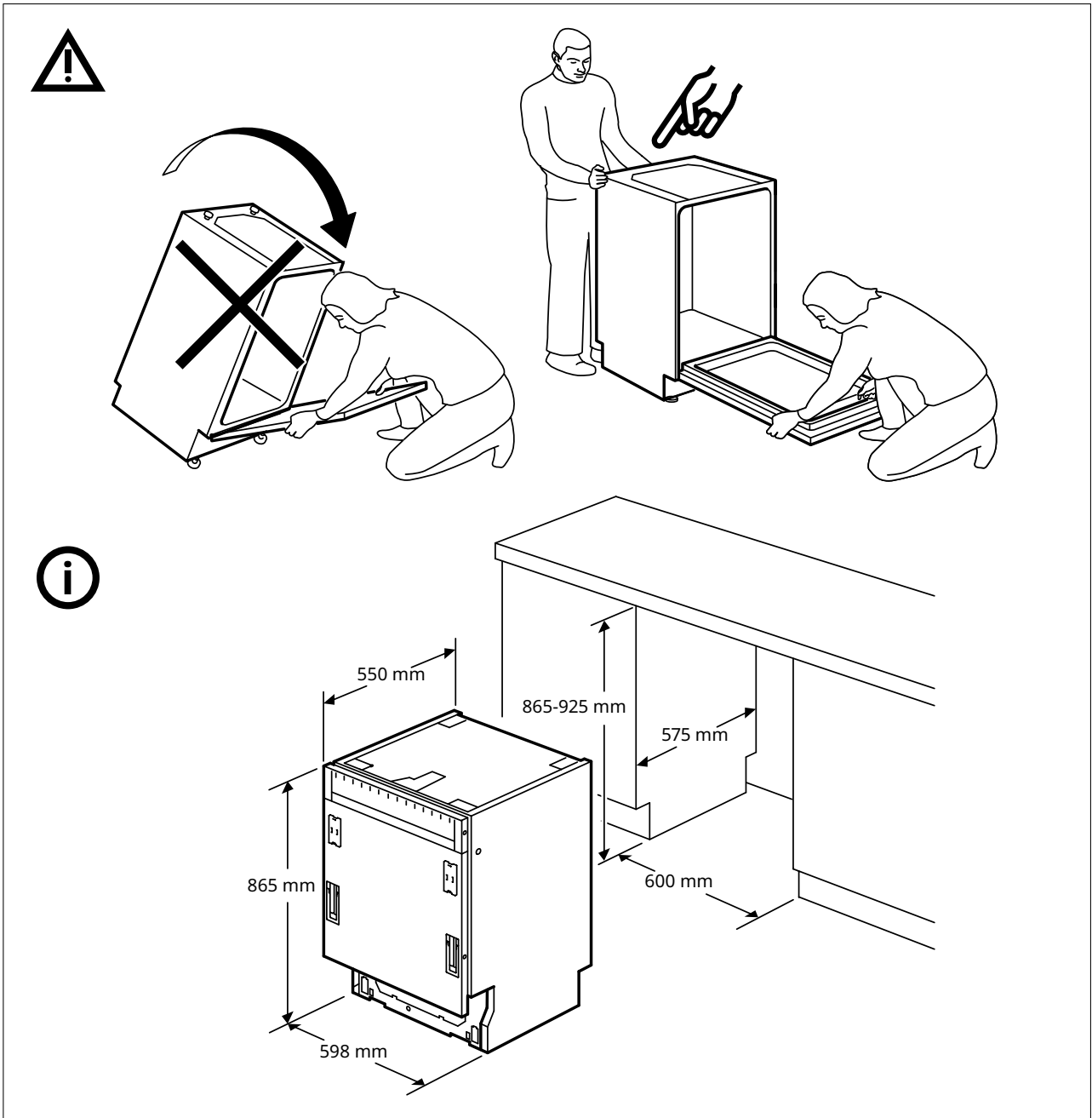
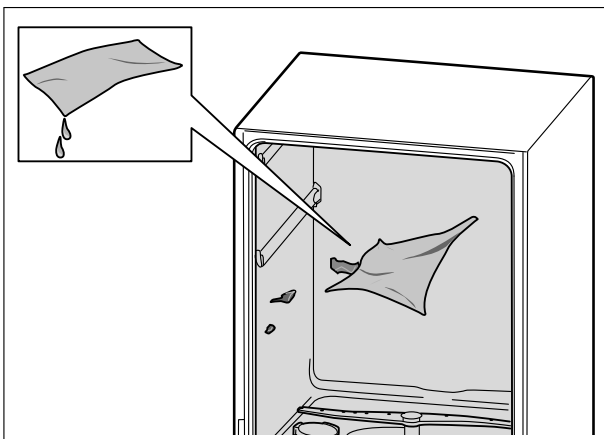


TORSBODA KALLBODA

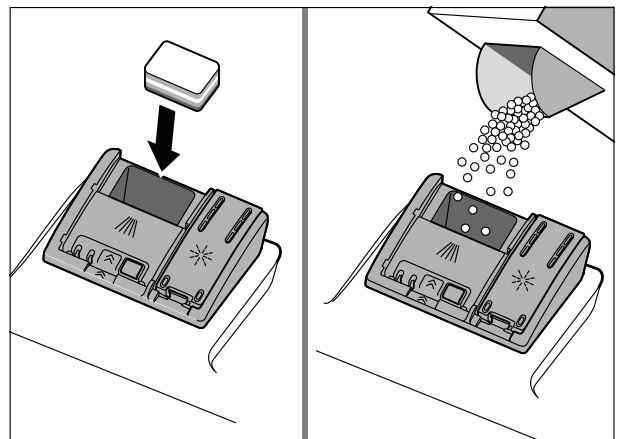




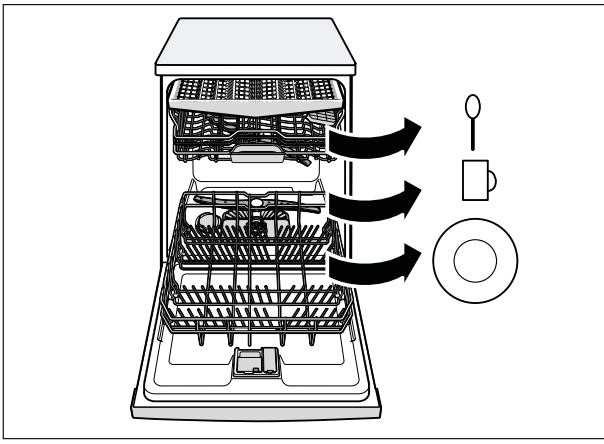
1



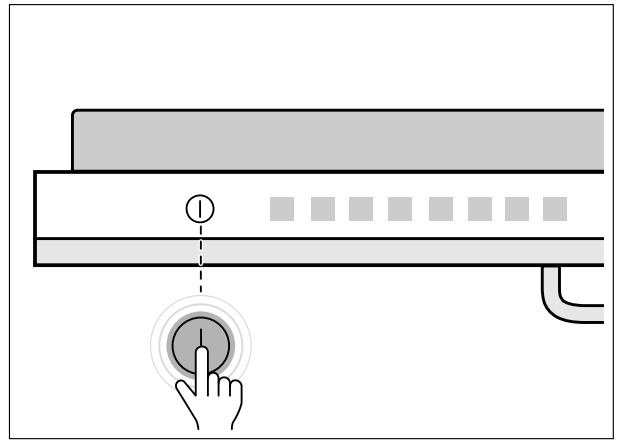
2



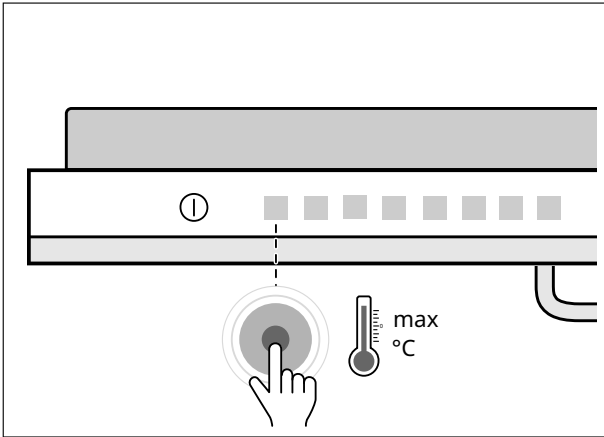
3



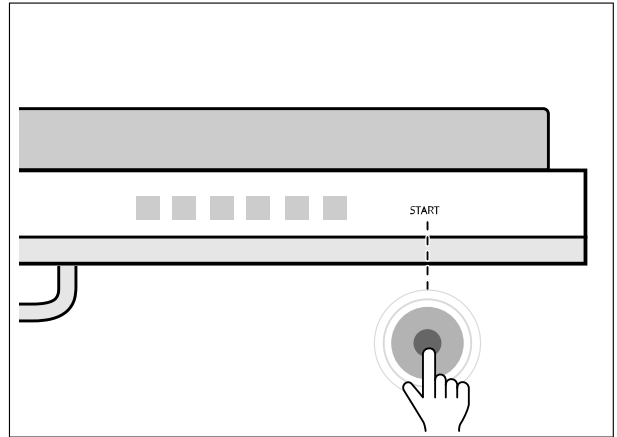
4



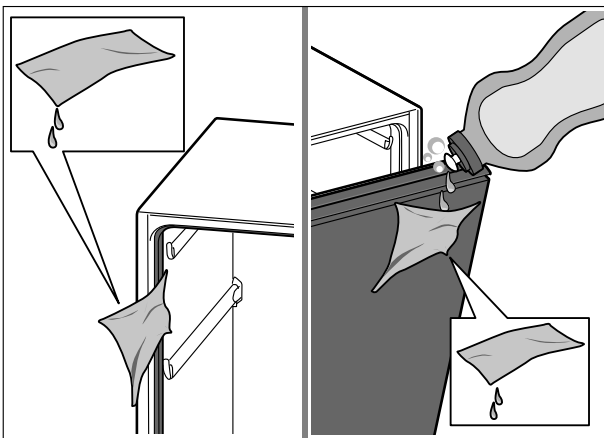
5



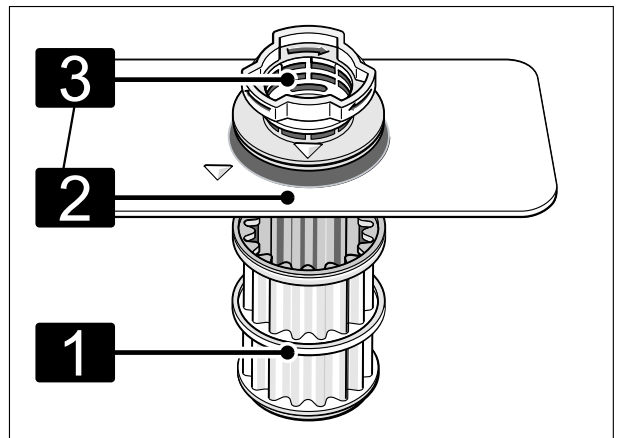
6



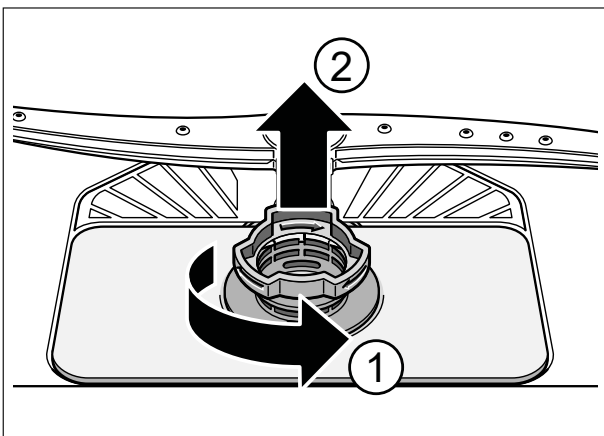
7



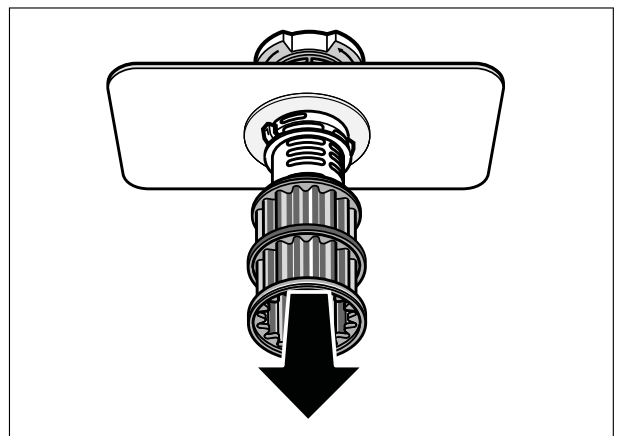
8



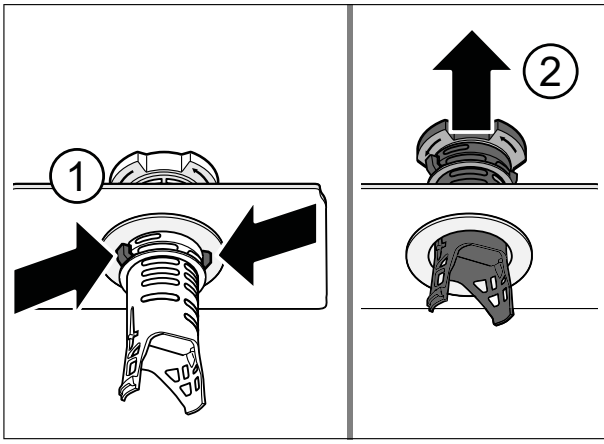
9



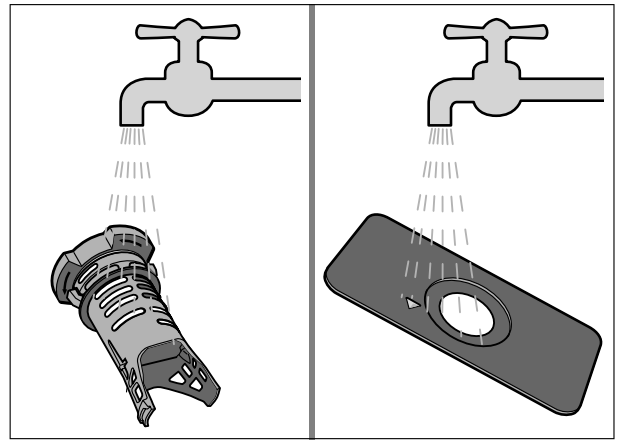
10



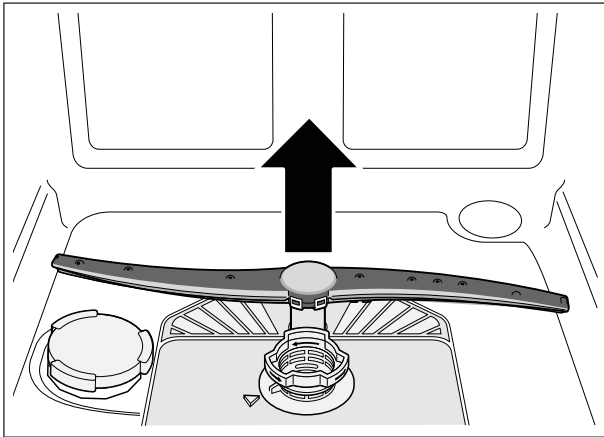
11



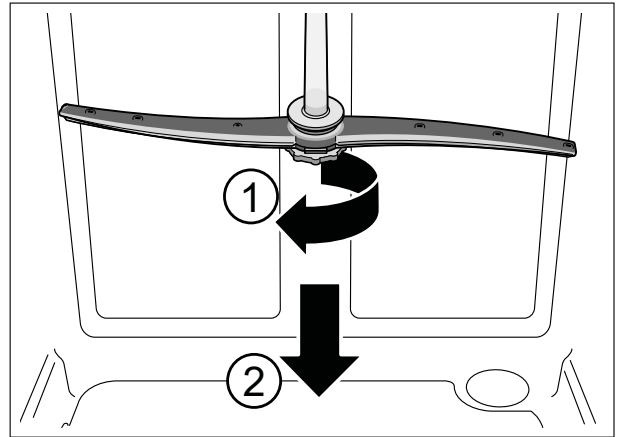
12



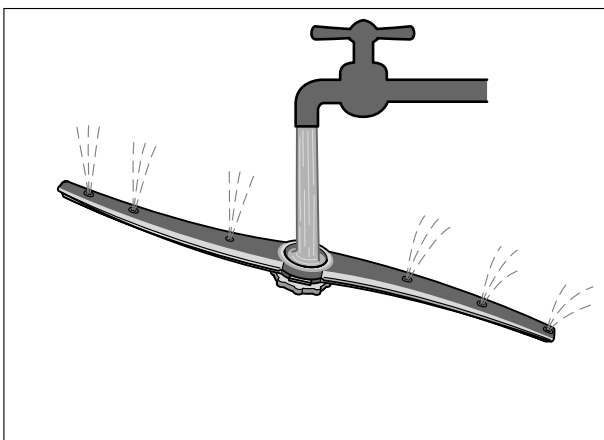
13



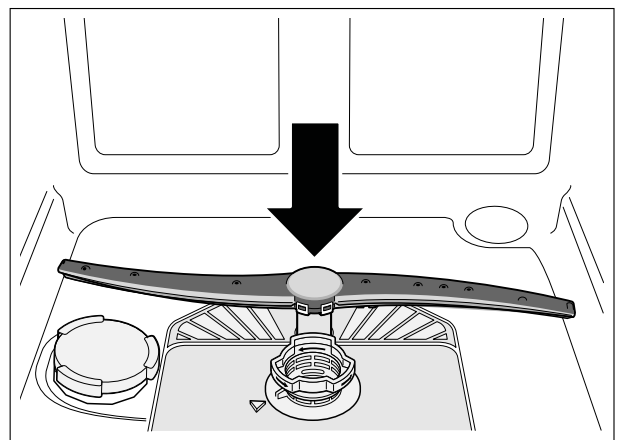
14



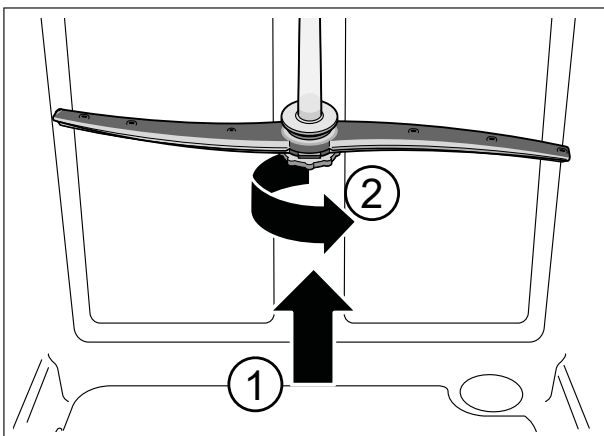
15



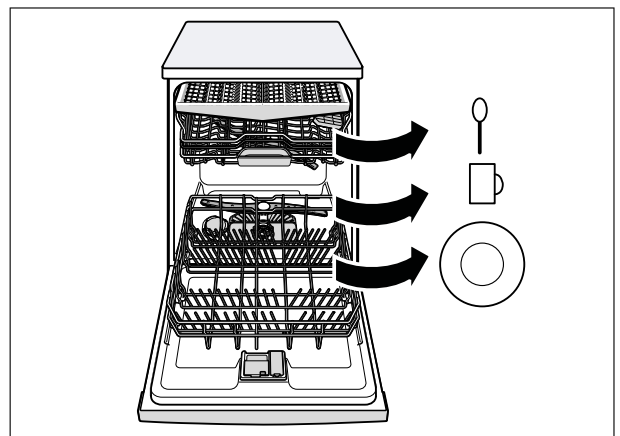
16



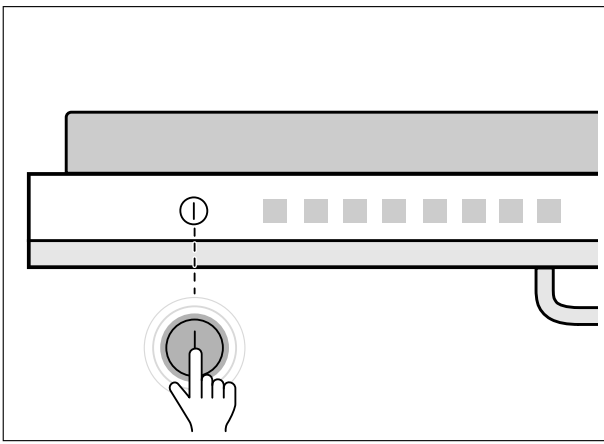
17



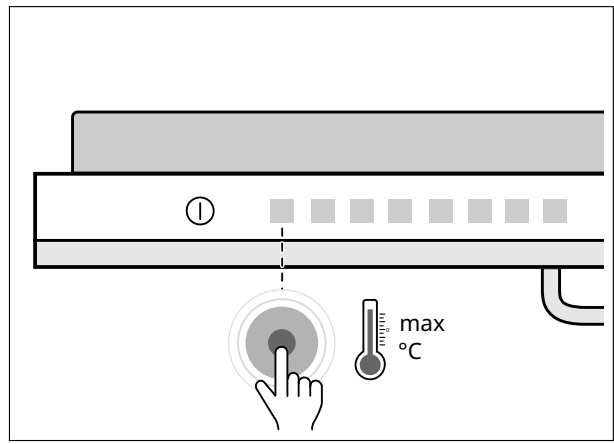
18



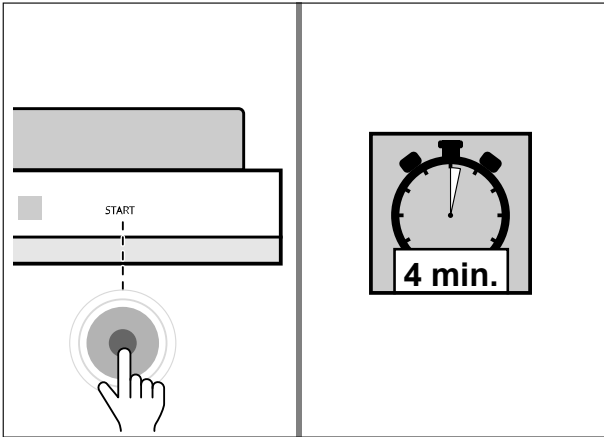
19



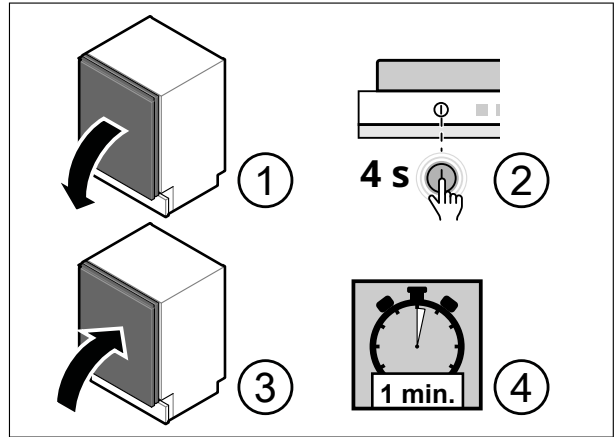
20



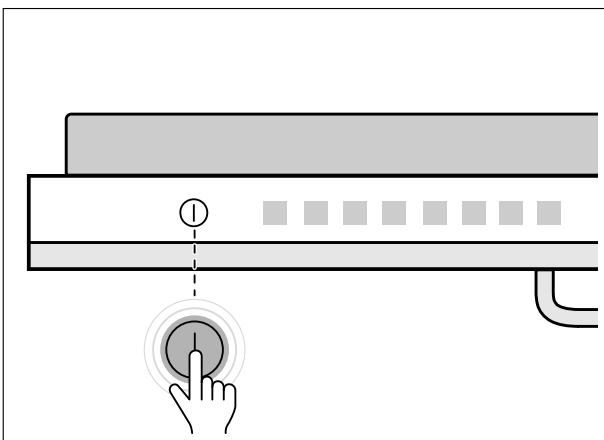
21



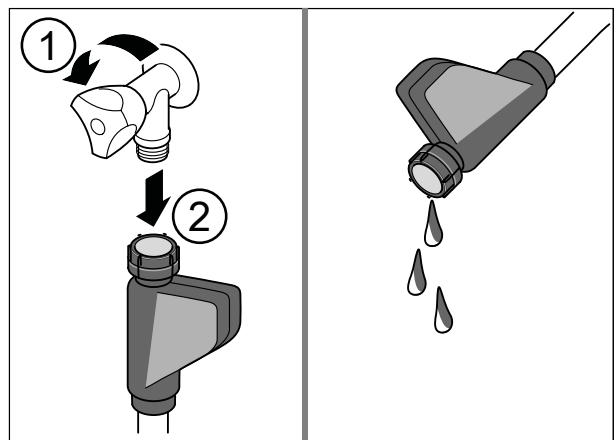
22



23



24



25

Safety

Observe the following safety instructions.

General information

- Read this instruction manual carefully.
- Keep the instruction manual and the product information safe for future reference or for the next owner.
- Do not connect the appliance if it has been damaged in transit.

Intended use

Only use this appliance:

- For cleaning household tableware.
- In private households and in enclosed spaces in a domestic environment.
- with mineral drying up to a height of 2500 m above mean sea level.
- without mineral drying up to a height of 4000 m above mean sea level.

Restriction on user group

This appliance may be used by children aged 8 or over and by people who have reduced physical, sensory or mental abilities or inadequate experience and/or knowledge, provided that they are supervised or have been instructed on how to use the appliance safely and have understood the resulting dangers.

Children must not play with the appliance.

Cleaning and user maintenance must not be performed by children unless they are being supervised.

Keep children under the age of 8 years away from the appliance and power cable.

Safe installation

WARNING – Risk of injury!

- Improper installation may cause injury.
 - When installing and connecting the appliance, follow the instructions in the manual and installation instructions.

WARNING – Risk of electric shock!

- Incorrect installation is dangerous.
 - Connect and operate the appliance only in accordance with the specifications on the rating plate.
 - Always use the supplied power cable for the new appliance.
 - Connect the appliance to a power supply with alternating current only via a properly installed socket with earthing.
 - The protective conductor system of the domestic electrical installation must be properly installed.
 - Never equip the appliance with an external switching device, e.g. a timer or remote control.
 - When the appliance is installed, the mains plug of the power cord must be freely accessible. If free access is not possible, an isolating switch must be integrated into the permanent electrical installation according to the installation regulations.
 - When installing the appliance, check that the power cable is not trapped or damaged.

- Cutting through the supply hose or immersing the Aqua-Stop valve in water is dangerous.
 - Never immerse the plastic housing in water. The plastic housing on the supply hose contains an electric valve.
 - Never cut through the supply hose. The supply hose contains electric power cables.

⚠ WARNING – Risk of fire!

- It is dangerous to use an extended power cord and non-approved adapters.
 - Do not use extension cables or multiple socket strips.
 - Only use adapters and power cords approved by the manufacturer.
 - If the power cord is too short and a longer one is not available, please contact an electrician to have the domestic installation adapted.
- Contact between the appliance and installation lines may lead to a defect in these lines, e.g. gas pipes and power lines. Gas from a corroded gas pipe can ignite. A damaged power line can cause a short circuit.
 - Check that there is a distance of at least 5 cm between the appliance and installation lines.

⚠ WARNING – Risk of injury!

- Hinges move when opening and closing the appliance door and can cause injury.
 - If built-under or integrable appliances are not in a cavity so that one side is accessible, the hinge area must be covered at the side. Covers are available from IKEA or Customer Service.

⚠ WARNING – Risk of tipping!

- Improper installation may cause the appliance to tip up.
 - Only install built-under or integrable appliances under a continuous worktop that is securely connected to adjacent cabinets.

Safe use

⚠ WARNING – Risk of serious harm to health!

- Failure to comply with safety instructions and directions for use on packagings of detergent and rinse aid products may cause serious harm to health.
 - Follow the safety instructions and directions for use on the packagings of detergent and rinse aid products.

⚠ WARNING – Risk of explosion!

- Adding solvents to the interior of the appliance may cause explosions.
 - Never add solvents to the interior of the appliance.
- Highly caustic alkaline or highly acidic cleaning agents in conjunction with aluminium parts in the interior of the appliance may cause explosions.
 - Never use highly caustic alkaline or highly acidic cleaning agents, in particular commercial or industrial products, in conjunction with aluminium parts (e.g. grease filters of extractor hoods or aluminium pans), e.g. for the Machine Care programme.

⚠ WARNING – Risk of injury!

- Leaving the appliance door open may result in injury.
 - Only open the appliance door to load or unload tableware in order to prevent accidents, e.g. through tripping.
 - Do not sit or stand on the appliance door when open.

- Knives and utensils with sharp points can cause injuries.
 - Arrange knives and utensils with sharp points in the cutlery basket with the points downwards, on the knife shelf or in the cutlery drawer.

⚠ WARNING – Risk of scalding!

- If you open the appliance door while the programme is running, hot water may splash out of the appliance.
 - Open the appliance door carefully if the programme is still running.

⚠ WARNING – Risk of electric shock!

- An ingress of moisture can cause an electric shock.
 - Only use the appliance in enclosed spaces.
 - Never expose the appliance to intense heat or humidity.
 - Do not use steam- or high-pressure cleaners to clean the appliance.
- If the insulation of the power cord is damaged, this is dangerous.
 - Never let the power cord come into contact with hot appliance parts or heat sources.
 - Never let the power cord come into contact with sharp points or edges.
 - Never kink, crush or modify the power cord.

⚠ WARNING – Risk of burns!

- The blow opening of the Zeolith container becomes hot and can cause burns.
 - Never touch the blow opening of the Zeolith container.

Damaged appliance

⚠ WARNING – Risk of electric shock!

- If the appliance or the power cord is damaged, this is dangerous.
 - Never operate a damaged appliance.
 - Never operate an appliance with a cracked or fractured surface.
 - Never pull on the power cord to unplug the appliance. Always unplug the appliance at the mains.
 - If the appliance or the power cord is damaged, immediately unplug the power cord or switch off the fuse in the fuse box and turn off the water tap.
 - Call customer services.
- Incorrect repairs are dangerous.
 - Repairs to the appliance should only be carried out by trained specialist staff.
 - Only use genuine spare parts when repairing the appliance.
 - If the power cord or the appliance power cable of this appliance is damaged, it must be replaced with a special power cord or special appliance power cable, which is available from the manufacturer or its Customer Service.

Risk to children

⚠ WARNING – Risk of suffocation!

- Children may put packaging material over their heads or wrap themselves up in it and suffocate.
 - Keep packaging material away from children.
 - Do not let children play with packaging material.
- Children may breathe in or swallow small parts, causing them to suffocate.
 - Keep small parts away from children.
 - Do not let children play with small parts.
- Children may become trapped in the appliance and suffocate.
 - Use the childproof lock if fitted.

- Never let children play with or operate the appliance.

⚠ WARNING – Risk of harm to health!

- Children can lock themselves in the appliance, thereby putting their lives at risk.
 - With redundant appliances, unplug the power cord. Then cut through the cord and damage the lock on the appliance door beyond repair so that the appliance door will no longer close.

⚠ WARNING – Risk of crushing!

- With higher-level appliances, children can become crushed between the appliance door and cabinet doors underneath.
 - Keep an eye on children when opening and closing the appliance door.

⚠ WARNING – Risk of chemical burns!

- Rinse aid and detergent may cause chemical burns to the mouth, throat and eyes.
 - Keep children away from detergent and rinse aid products.
 - Keep children away from the appliance when open. The water in the interior of the dishwasher is not drinking water. It may contain residues of detergents and rinse aid.

⚠ WARNING – Risk of injury!

- Children may get their fingers caught in the slots of the tablet collecting tray and injure themselves.
 - Keep children away from the appliance when open.

Preventing material damage

Safe installation

ATTENTION!

- Improper installation of the appliance may cause damage.
 - If the dishwasher is installed above or below other domestic appliances, follow the information on installation in combination with a dishwasher in the installation instructions for the individual appliances.
 - If there is no information or if the installation instructions do not include the relevant information, contact the manufacturer of these appliances to check that the dishwasher can be installed above or below these appliances.
 - If no information is available from the manufacturer, the dishwasher should not be installed above or below such appliances.
 - To ensure the safe operation of all domestic appliances, continue following the installation instructions for the dishwasher.
 - Do not install the dishwasher under a hob.
 - Do not install the dishwasher near heat sources, e.g. radiators, heat storage tanks, ovens or other appliances that generate heat.
- Contact between the appliance and water pipes may lead to corrosion of these pipes, possibly causing them to leak.
 - Check that there is a distance of at least 5 cm between the appliance and the water pipe. The pipes supplied for the drinking water and waste water connections are not affected here.
- Modified or damaged water hoses may result in material damage and damage to the appliance.
 - Never kink, crush, modify or cut through water hoses.
 - Only use the water hoses supplied with the appliance or genuine spare hoses.

- Never re-use water hoses that have been used before.
- If the water pressure is too high or too low, the appliance may not be able to operate properly.
- Make sure that the water pressure in the water supply system is min. 50 kPa (0.5 bar) and max. 1000 kPa (10 bar).
- If the water pressure exceeds the maximum value specified, a pressure-reducing valve must be installed between the drinking water connection and the hose set of the appliance.

Safe use

ATTENTION!

- Escaping water vapour can damage fitted units.
 - When the programme ends, leave the appliance to cool down for a while before opening the door.
- Special salt for dishwashers can damage the tub due to corrosion.
 - To make sure that any special salt that escapes is washed out of the tub, add the special salt to the dispenser for special salt immediately before the programme starts.
- Detergent may damage the water softening system.
 - Only fill the dispenser of the water softening system with special dishwasher salt.
- Unsuitable cleaning agents may damage the appliance.
 - Do not use a steam cleaner.
 - So as not to scratch the finish on the appliance, do not use sponges with a rough surface or abrasive cleaning agents.
 - To prevent corrosion, do not use sponge cloths on dishwashers with a stainless steel front or rinse such cloths thoroughly several times before using them for the first time.

Installation requirements

→ Fig. 1

Environmental protection and saving energy

Help protect the environment by using your appliance in a way that conserves resources and by disposing of reusable materials properly.

Disposing of packaging

The packaging materials are environmentally compatible and can be recycled.

- Sort the individual components by type and dispose of them separately.
Information about current disposal methods is available from IKEA or your local authority.

Saving energy

If you follow this instruction, your appliance will use less electricity and less water.

Use the Eco 50 ° programme.

- ✚ The Eco 50 ° programme is energy-efficient and environmentally friendly.

Note: To save energy and water, load the machine with the maximum number of place settings specified.

Drying (depending on appliance specifications)

The appliance has functions and features that enable energy saving during drying.

For further information, please read "Green living and saving" in the full version of the user manual available at www.ikea.com.

Cleaning and servicing

To keep your appliance working efficiently for a long time, it is important to clean and maintain it carefully.

⚠ CAUTION Risk of injury!

- An appliance that is connected to the power cord during maintenance work poses a risk of injury.
- Before performing maintenance work, ensure that the appliance is disconnected from the power cord.

Cleaning the tub

⚠ WARNING Risk of harm to health!

- Using detergents containing chlorine may result in harm to health.
- Never use detergents containing chlorine.

→ Fig. 2 - 7

Self-cleaning interior

To remove deposits, the appliance self-cleans the interior at regular intervals.

The programme sequence is automatically adjusted for self-cleaning, e.g. the cleaning temperature is briefly increased. Consumption values, e.g. water and electricity, may also increase as a result.

If the interior is no longer self-cleaned adequately and deposits occur, see this information:

→ "Cleaning the tub", Page 12.

Cleaning products

Only use suitable cleaning products to clean your appliance.
→ "Safe use", Page 11

Tips on appliance care

Follow the tips on appliance care to ensure that your appliance functions properly at all times.

Note: If the appliance is not going to be used for a while, leave the appliance door slightly ajar.

→ Fig. 8

Filter system

The filter system removes coarse soiling from the dishwashing cycle.

→ Fig. 9

1	Micro filter
----------	--------------

2	Fine filter
3	Coarse filter

Cleaning filters

Soiling in the dishwashing water may block the filters.

Note: After each wash, check the filters for residue. Check that no foreign objects fall into the sump during dishwashing.

→ Fig. 10 - 12

Cleaning spray arms


Limescale and soiling in the dishwashing water may block the nozzles and bearings on the spray arms. Clean the spray arms regularly.

→ Fig. 14 - 15

Machine Care

Deposits can cause your appliance to malfunction. To avoid such malfunctions, we recommend cleaning your appliance at regular intervals.

Notes

- Run the Machine Care programme without any tableware in the dishwasher.
 - Only use machine care products and machine cleaners specially designed for dishwashers.
 - Make sure that there are no aluminium parts, e.g. extractor hood grease filters or aluminium pans, in the interior of the appliance.
 - If you have not run Machine Care after 3 washing cycles, the indicator for Machine Care will go out automatically.
 - Follow the safety instructions given on the packaging of the machine care products and machine cleaners.
1. Remove any coarse soiling in the interior with a damp cloth.
 2. Clean the filters.
 3. Place the machine care product in the appliance interior.
Only use machine care products specially designed for dishwashers.
 4. Pour the machine cleaner into the detergent dispenser until it is filled completely.
Do not place any additional machine cleaner in the appliance interior.
 5. Press .
 6. Press Start.

Transportation, storage and disposal

Removing the appliance

1. Disconnect the appliance from the power supply.
2. Turn off the water tap.
3. Detach the drainage connection.
4. Detach the drinking water connection.
5. Loosen any screws fastening the appliance to cabinet parts.

6. Remove the base panel if fitted.
7. Pull the appliance out carefully, along with the hose behind it.

Protect appliance from frost

If there is a risk of frost at the appliance's place of use, e.g. in a holiday home, empty the appliance completely.

- → "Transporting the appliance", Page 13

Transporting the appliance

To avoid damage to the appliance, empty it before transport and secure all loose parts.

Note: Always transport the appliance upright to prevent residual water getting into the machine's controls and damaging the appliance.

→ Fig. 19 - 23

Disposing of old appliance

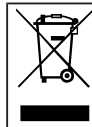
Valuable raw materials can be reused by recycling.

WARNING

Risk of harm to health!

- Children can lock themselves in the appliance, thereby putting their lives at risk.
- With redundant appliances, unplug the power cord. Then cut through the cord and damage the lock on the appliance door beyond repair so that the appliance door will no longer close.

1. Unplug the appliance from the mains.
2. Cut through the power cord.
3. Dispose of the appliance in an environmentally friendly manner.



This appliance is labelled in accordance with European Directive 2012/19/EU concerning used electrical and electronic appliances (waste electrical and electronic equipment - WEEE). The guideline determines the framework for the return and recycling of used appliances as applicable throughout the EU.

Declaration of Conformity

IKEA of Sweden AB hereby declares that the appliance conforms to the essential requirements and other relevant provisions of Directive 2014/53/EU.

A detailed RED Declaration of Conformity can be found online at www.ikea.com among the additional documents on the product page for your appliance.




Hereby, IKEA of Sweden AB declares that the appliance is in compliance with relevant statutory requirements.

A detailed Declaration of Conformity can be found online at www.ikea.com among the additional documents on the product page for your appliance.



2.4 GHz band (2400–2483.5 MHz): Max. 100 mW
5-GHz band (5150–5350 MHz + 5470–5725 MHz): max. 180 mW

	BE	BG	CZ	DK	DE	EE	IE	EL	ES
	FR	HR	IT	CY	LI	LV	LT	LU	HU
	MT	NL	AT	PL	PT	RO	SI	SK	FI
	SE	NO	CH	TR	IS	UK (NI)			

5 GHz WLAN (Wi-Fi): For indoor use only.

AL	BA	MD	ME	MK	RS	UK	UA
----	----	----	----	----	----	----	----

5 GHz WLAN (Wi-Fi): For indoor use only.

IKEA guarantee

FAQs about the guarantee:

How long is the IKEA guarantee valid?

This guarantee is valid for five (5) years from the original date of purchase of your appliance at IKEA. The original sales receipt is required as proof of purchase. If service work is carried out under guarantee, this will not extend the guarantee period for the appliance.

Who will execute the service?

The IKEA service provider will provide the service through its own service operations or authorised service partner network.

What does this guarantee cover?

This guarantee only applies to domestic use of the relevant product. The exceptions are specified under the headline "What is not covered under this guarantee?" Within the guarantee period, the costs to remedy the fault, e.g. repairs, parts, labour and travel, will be covered, provided that the appliance is accessible for repair without special expenditure. The respective local regulations are applicable. Replaced parts become the property of IKEA.

What will IKEA do to correct the problem?

The IKEA-appointed service provider will examine the product and decide, at its sole discretion, if it is covered under this guarantee. If considered covered, the IKEA service provider or its authorised service partner through its own

service operations will then, at its sole discretion, either repair the defective product or replace it with the same or a comparable product.

What is not covered under this guarantee?

- Normal wear and tear.
- Deliberate or negligent damage, damage caused by failure to observe the user manual, incorrect installation or by connection to the wrong voltage, damage caused by chemical or electrochemical reaction, rust, corrosion or water damage including but not limited to water damage caused by excessive lime in the water supply, and damage caused by abnormal environmental conditions.
- Consumable parts including batteries and bulbs.
- Non-functional and decorative parts which do not affect normal use of the appliance, including any scratches and possible differences in colour.
- Accidental damage caused by foreign objects or substances and damage associated with cleaning or unblocking of filters, drainage systems or soap drawers.
- Damage to the following parts: ceramic glass, accessories, crockery and cutlery baskets, feed and drainage pipes, seals, lamps and lamp covers, screens, knobs, panels, casing covers and parts of casings. Unless such damage can be proved to have been caused by production faults.
- Cases where no fault could be found during a technician's visit.
- Repairs not carried out by our appointed service providers and/or an authorised contractual service partner, or where non-original parts have been used.
- Repairs caused by installation which was improper or not according to specification.
- Use of the appliance in a non-domestic environment, i.e. professional use.
- Transport damage: Where the product is transported by customers themselves either to their home or to another address, IKEA shall not be liable for any damage which may occur during such transport. However, if IKEA delivers the product to the customer's delivery address, then damage to the product that occurs during this delivery will be covered by IKEA.
- Cost of carrying out initial installation of the IKEA appliance. However, if an IKEA-appointed service provider or its authorised service partner repairs or replaces the appliance under the terms of this guarantee, the appointed service provider or its authorised service partner will reinstall the repaired appliance or install the replacement, if necessary.

How national regulations apply

The IKEA guarantee gives you specific legal rights, which cover or exceed all the local legal demands. However, these conditions do not limit in any way consumer rights described in the local regulations.

Scope

For appliances which are purchased in one EU country and taken to another EU country, the services will be provided in the framework of the guarantee conditions normal in the

new country. An obligation to carry out services in the framework of the guarantee exists only if the appliance complies and is installed in accordance with:

- the technical specifications of the country in which the guarantee claim is made;
- the assembly instructions and safety information in the user manual.

Dedicated customer service for IKEA appliances

Please don't hesitate to contact the IKEA-appointed authorised service centre:

- to make a service request under this warranty;
- to ask for clarification about functions of IKEA appliances.

To ensure that we provide you with the best assistance, please read the installation instructions and/or the user manual before contacting us.

How to reach us if you need our service



On the final page of this user manual you will find a full list of authorised service centres selected by IKEA, together with the relevant national telephone numbers.

To provide you with faster service, please use the telephone numbers listed in this user manual.

When calling us, make sure that you have the details of the relevant appliance to hand. These are:

- Appliance number (E-Nr)
- Production number (FD)
- IKEA article number (8 digit code located on the line below the appliance number (E-Nr))
- IKEA manufacturing date

This information can be found on the rating plate on the appliance door.

SAVE THE SALES RECEIPT!

Note: It is your proof of purchase and required for guarantee claims. The sales receipt also shows the IKEA designation and article number (8-digit code) for each of the appliances you have purchased.

Do you need extra help?

For any further questions not related to customer service for your appliance, please contact the hotline of your nearest IKEA store. Before contacting us, please read the appliance documentation carefully.

After-sales service

You can find an overview of the telephone numbers for customer service and information on spare parts availability at the end of this document.

Function-relevant genuine spare parts according to the corresponding Ecodesign Order can be obtained from Customer Service for a period of at least 10 years from the date on which your appliance was placed on the market within the European Economic Area.

Availability of spare parts:

Door hinges and door seals, other seals, spray arms, strainer filters, inner support and plastic accessories, such as baskets and lid. As well as other spare parts, e.g. cutlery drawers, handles, inserts, holders, fixing sets, insulating plates, locks, child-proof door locks, rails, housing side parts, Aquastop, cable connections, Aquastop valves, hinge belts, bearings, power cords, protective covers, rubber forming parts, ventilation ducts, water storage tanks, actuators, hoses, hose clamps, display modules, panel boxes, handle strips, perspex doors, sump seals, basket rollers, clamps, cutlery baskets, clamps, fixing parts, cup racks, heat exchangers, threaded screws, flow-through sensors, drain hoses, water softening systems, regeneration valves, pump sumps, screws, water switches, heating pumps, drain pumps, pipes, upper and lower spray arms, fine filters, micro filters, dosing containers, doors and much more...

Service Contacts

Country	Phone number	Call Fee	Opening time
Australia	1300008610	Local tariff	Monday - Friday 8.00 - 24.00
België / Belgique / Belgien	024757120	Lokaal tarief / Prix d'un appel local / Ortstarif	Maandag - Vrijdag / Lundi - Vendredi / Montag - Freitag 8.00 - 17.00
България	070020818	в зависимост от тарифния план на клиента	Понеделник - Събота 8.00 - 20.00 часа
Česká republika	+420251095027	Závisí na tarifu lokálního operátora	Po - Čt 8.30 - 18.00 Pá 8.30 - 17.00
Danmark	70150909	Lokal takst	Mandag - fredag 9.00 - 20.00 Lørdag (Åbent udvalgte søndage, se IKEA.dk) 9.00 - 18.00
Deutschland	08912475328	Ortstarif	7 Tage die Woche 7.00 - 22.00
Ελλάδα	+302104277770	Τυπική αστική χρέωση	24 ώρες, 7 ημέρες την εβδομάδα
España	976 305740	llamada local	Lunes - Viernes 7.00 - 22.00 Sábado 7.00 - 15.00
France	0969327707	appel non surtaxé	lundi - dimanche 7.00 - 22.00
Hrvatska	01/5520-337	Cijena lokalnog poziva ovisno o tarifi i paketu vašeg pružatelja usluge	svaki dan od 00 - 24h
Ireland	014502655	Local tariff	Monday - Friday 8.00 - 20.00 Saturday 9.00 - 17.00 Sunday 9.00 - 16.00
Ísland	+3544312200	Venjulegur símakostnaður	Mánudagur - Föstudagur 10.00 - 17.00
Italia	02412678501	Tariffa locale	Lunedì - Venerdì 8.00 - 20.00 Sabato 8.00 - 13.00
Lietuva	+370852463350	Vietinių pokalbių įkainiai	Pirmadienis - Penktadienis 9.00 - 17.00
Luxemburg / Luxembourg	26349-861	Ortstarif aus Luxembourg / Prix d'un appel local depuis le Luxembourg	Montag - Freitag / Lundi - Vendredi 8.00 - 12.00 ; 13.00 - 17.00
Magyarország	0680200201	Díjmentes telefonszám	Hívható munkanapokon 8.00 - 17.00
Nederland	09002354532 en/of 0900 BEL IKEA	15 cent/min., starttarief 4.54 cent en gebruikelijke belkosten	Maandag t/m - Vrijdag 8.00 - 20.00 Zaterdag 9.00 - 20.00
Norge	22660560	Lokal takst	Mandag - Fredag 8.00 - 21.00 Lørdag - Søndag 9.00 - 16.00
Österreich	0810144180	Ortstarif	7 Tage die Woche 7.00 - 22.00
Polska	801002068	Jak za połączenie lokalne lub według stawek operatora sieci komórkowej	Poniedziałek - Niedziela w godzinach 7.00 - 22.00
Portugal	214250784	custo de chamada para número fixo	segunda a sexta 8.30 - 20.00 sábado 9.00 - 18.00
România	+40212039748	Tarif normal	Lu-Vi: 8.00 - 20.00 Sam. 9.00 - 16.00
Россия	88002003040	бесплатно по России с любых номеров	круглосуточно 24/7
Schweiz / Suisse / Svizzera	0848808555	max. 0.075 CHF / min. + MwSt./TVA./IVA./VAT.	Montag - Freitag / Lundi - Vendredi / Lunedì - Venerdì 8.00 - 17.00
Suomi	08207510790	Paikallinen tariffi, matkapuhelin 8,35 senttiä puhelua kohti + 16,69 senttiä min	Maanantaista-torstaihin 8.00 - 17.00 Perjantaihin 9.00 - 16.00
Sverige	0775700500	Lokal samtal	Måndag - Fredag 8.30 - 20.00 Lördag - Söndag 9.30 - 18.00
United Kingdom	03301343106	Local tariff	Monday - Friday 8.00 - 20.00 Saturday 9.00 - 17.00 Sunday 9.00 - 16.00
Србија	+381113537009	Cijene lokalnog poziva ovisno o tarifama i paketu vašeg pružatelja usluga	Pon-Sub: 8.00 - 20.00
Slovenská republika	+420251095028	Závisí na tarife lokálneho operátora	Po - Št 8.30 - 18.00 Pia 8.30 - 17.00
Slovenija	+386 1 5830 701	Lokalna tarifa	Pon. - Sob. ; 7:00- 20:00
Latvija	www.ikea.com	-	-
Україна	www.ikea.com	-	-
Eesti	www.ikea.com	-	-



A series of horizontal lines for writing, starting below a grey header bar and extending to the bottom of the page. The lines are evenly spaced and cover the majority of the page area.

