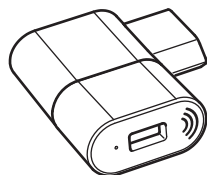
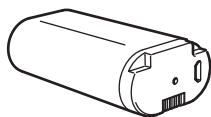
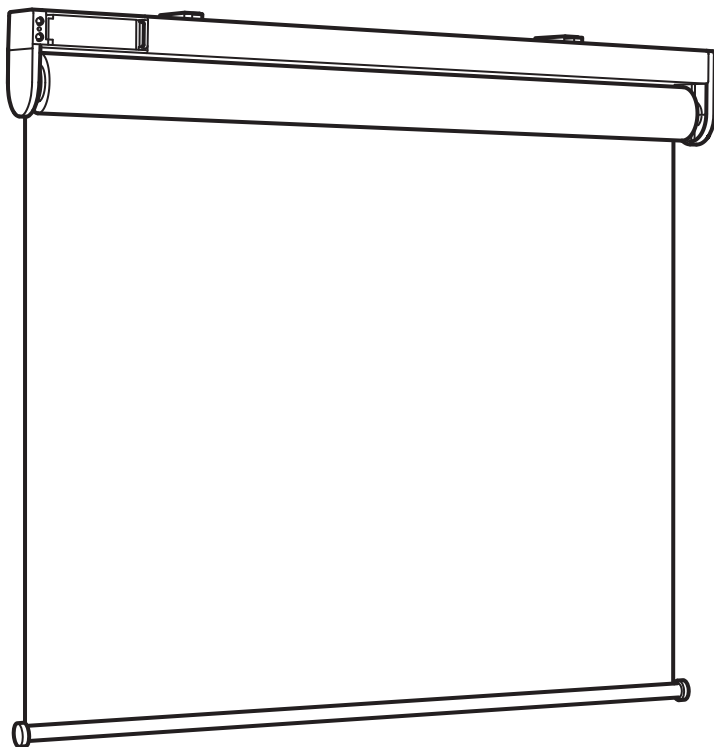
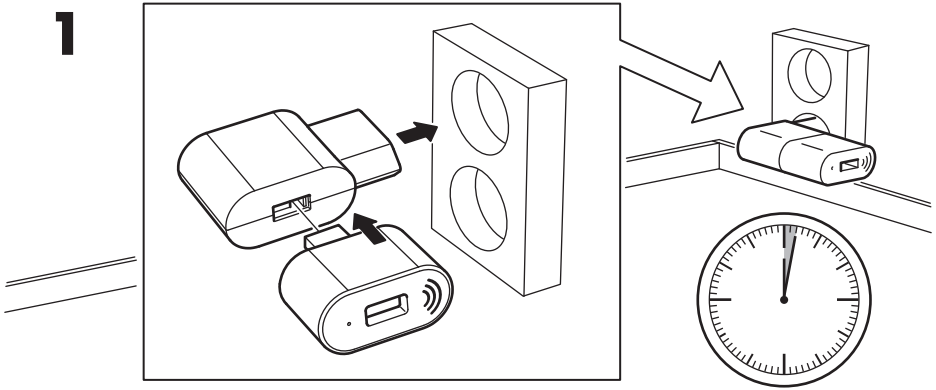


# QUICK START GUIDE

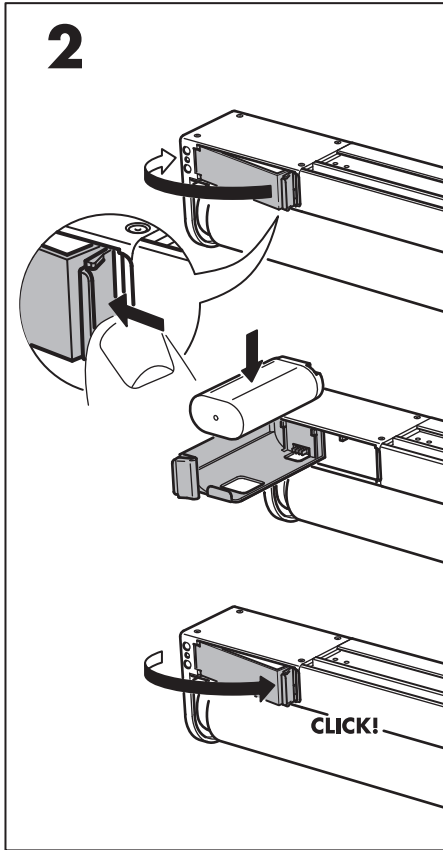


Design and Quality  
IKEA of Sweden

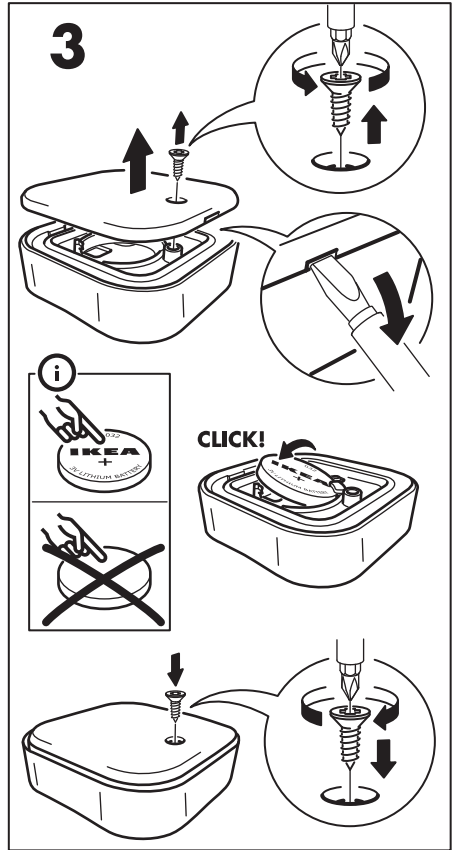
1



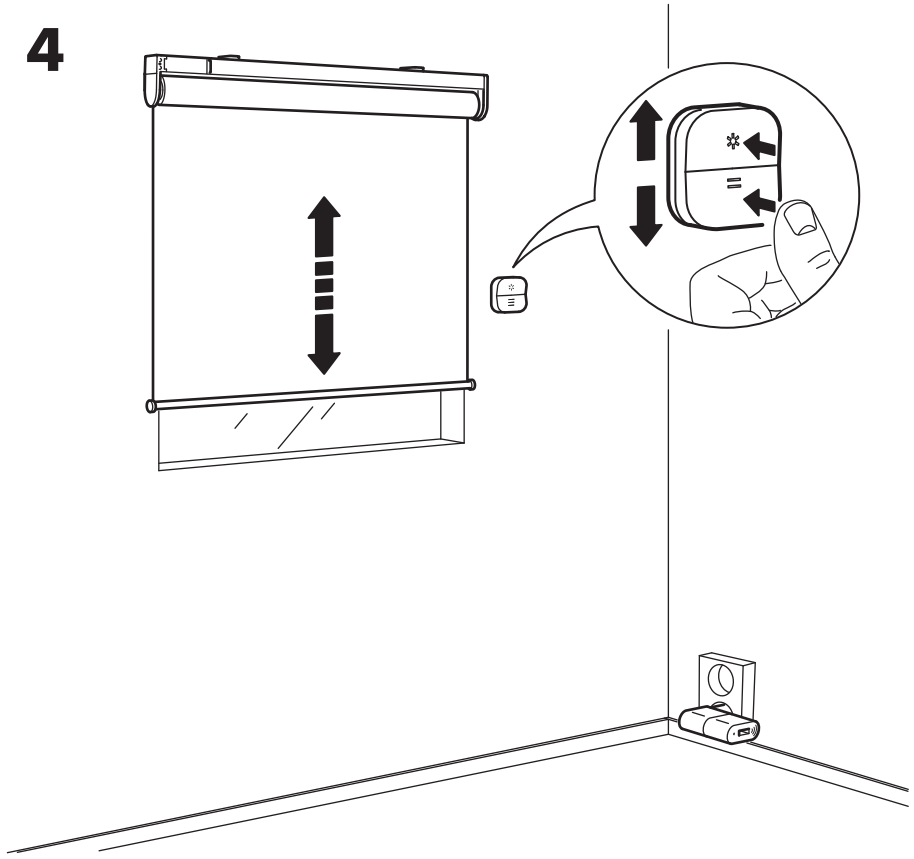
2



3



4



**i**

1x + 2-4x

TRÅDFRI

