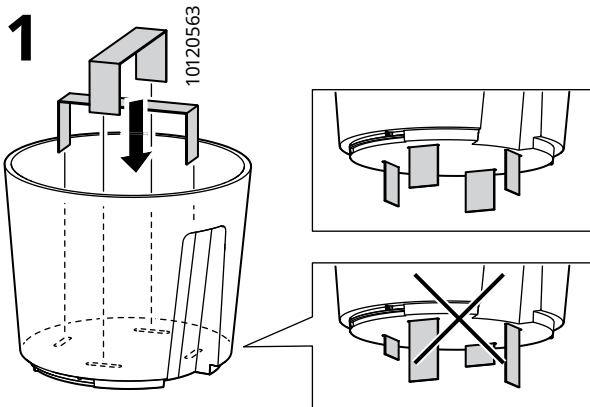
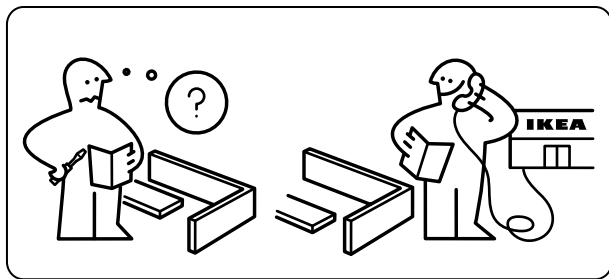
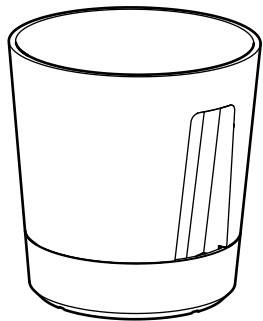
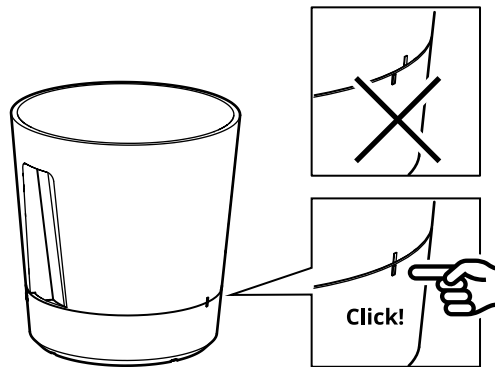
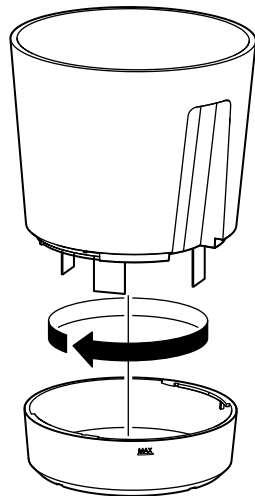


VÅRDTRÄD



2



Design and Quality
IKEA of Sweden

3

