

# UPPLEVA

GB

DE

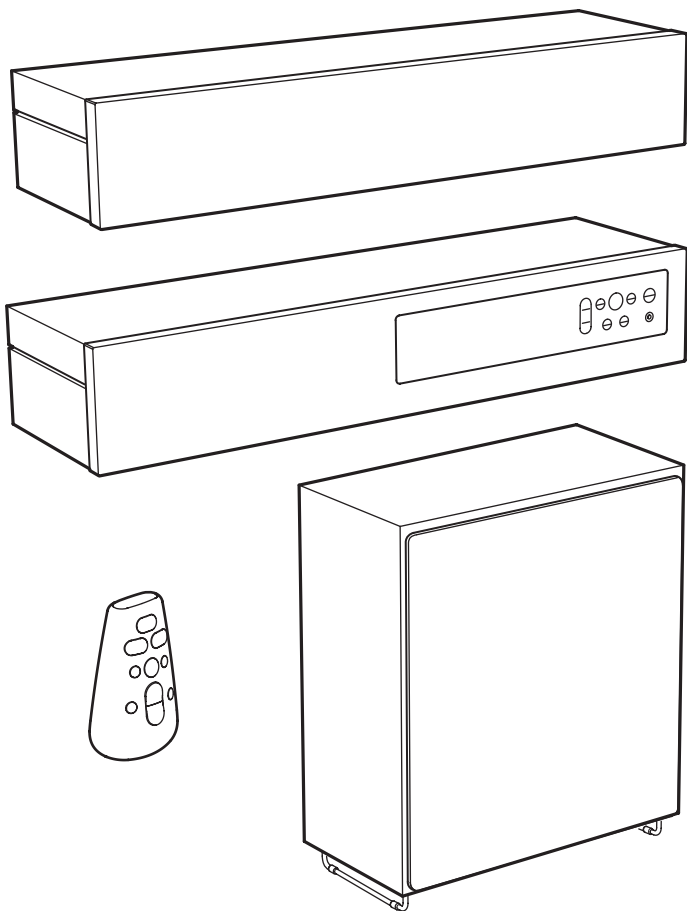
FR

NL

DK

IS

NO



Design and Quality  
IKEA of Sweden



<b>ENGLISH</b>	<b>4</b>
<b>DEUTSCH</b>	<b>21</b>
<b>FRANÇAIS</b>	<b>38</b>
<b>NEDERLANDS</b>	<b>55</b>
<b>DANSK</b>	<b>72</b>
<b>ÍSLENSKA</b>	<b>89</b>
<b>NORSK</b>	<b>106</b>

**Contents**

- 1 Important ..... 5**
  - Safety and important notice..... 5
  - Disposal of your old product and batteries ..... 5
  - Copyright notice..... 6
  - Notice for Trademark..... 6
- 2 Product overview ..... 7**
  - Sound system bar ..... 7
  - Rear panel..... 8
  - Remote control ..... 9
  - Subwoofer..... 10
- 3 Preparation ..... 11**
  - Prepare the remote control ..... 11
- 4 Connection ..... 12**
  - Connecting the right speaker ..... 12
  - Connecting to a TV ..... 12
  - Connecting to an analogue output or device..... 12
  - Connecting to a media device ..... 12
  - Pairing the subwoofer ..... 13
- 5 Using your sound system ..... 14**
  - TV..... 14
  - FM radio..... 14
  - Bluetooth ..... 14
  - Choosing sound mode..... 15
- 6 Settings ..... 16**
  - Sound settings..... 16
  - Panel display brightness ..... 16
  - Change the standby time ..... 16
  - UPPLEVA TV ..... 16
  - Reset to default settings..... 16
- 7 Specifications..... 17**
- 8 Troubleshooting ..... 18**
- 9 Glossary ..... 19**
- 10 Contact IKEA ..... 19**
- 11 DECLARATION OF CONFORMITY ..... 20**

## 1 Important

### Safety and important notice

#### Warning:

- Risk of overheating! Never install the product in a confined space. Always leave a space of at least 5 mm around the product for ventilation. Ensure curtains or other objects never cover the ventilation slots on the product.
- Never place the product, remote control or batteries near naked flames or other heat sources, including direct sunlight.
- Only use this product indoors. The apparatus shall not be exposed to dripping or splashing, no objects filled with liquids, such as vases, shall be placed on the apparatus.
- Never place this product on other electrical equipment.
- The mains plug or an appliance couple is used as disconnect device, the disconnect device shall remain readily operable.

Batteries (battery pack or batteries installed) shall not be exposed to excessive heat such as sunshine, fire or the like.

This product and the supplied accessories are marked with "CE" and comply therefore with the applicable harmonized European standards: the Low Voltage Directive 2006/95/EC, the EMC Directive 2004/108/EC, the ErP Directive 2009/125/EC.

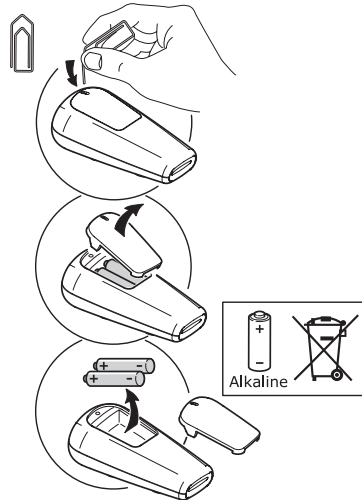


### Disposal of your old product and batteries



The crossed-out wheeled bin symbol indicates that the item should be disposed of separately from household waste. The item should be handed in for recycling in accordance with local environmental regulations for waste disposal.

By separating a marked item from household waste, you will help reduce the volume of waste sent to incinerators or land-fill and minimize any potential negative impact on human health and the environment. For more information, please contact your IKEA store.



## Copyright notice



This item incorporates copy protection technology that is protected by U.S. patents and other intellectual property rights of Rovi Corporation. Reverse engineering and disassembly are prohibited.

## Notice for Trademark



HDMI, the HDMI logo and High-Definition Multimedia Interface are trademarks or registered trademarks of HDMI Licensing LLC in the United States and other countries.



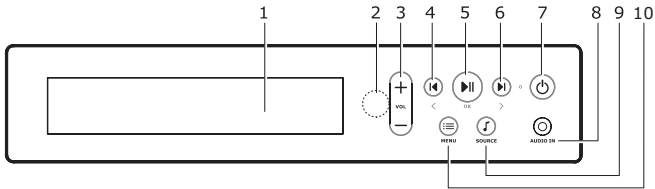
Dolby and the double-D symbol are registered trademarks of Dolby Laboratories.



The Bluetooth word mark and logos are registered trademarks owned by Bluetooth SIG, Inc. and any use of such marks by IKEA is under license. Other trademarks and trade names are those of their respective owners.

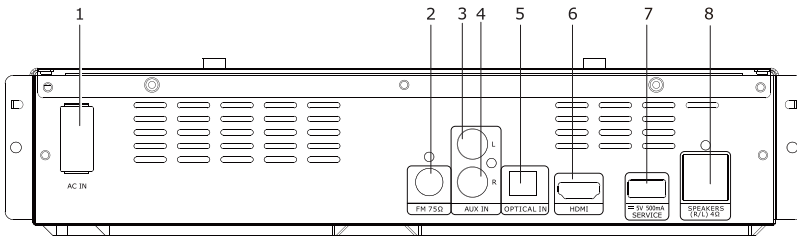
## 2 Product overview

### Sound system bar



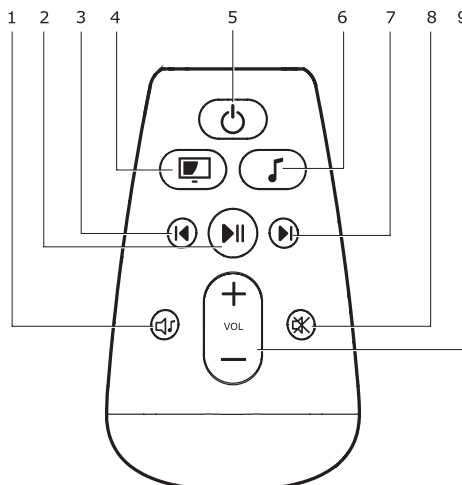
No.	Control	Function
1	Display panel	Shows information about what the sound system is playing.
2	IR Sensor	Point the remote control at the IR (Infra Red) sensor.
3	VOL + VOL -	Turns up the volume. Press once to turn up the volume one step. Press and hold to keep turning it up. Turns down the volume. Press once to turn down the volume one step. Press and hold to keep turning it down.
4	⏮ <	Skip to previous track or FM channel. Navigate backwards in the Menu.
5	⏸ OK	Play/Pause. Press OK in the Menu.
6	⏭ >	Skip to next track or FM channel. Navigate forwards in the Menu.
7	⏻	Press for power on/off.
8	AUDIO IN	For connecting an audio playback device, for example an MP3 player or CD player.
9	SOURCE	Press to change Source.
10	MENU	Press to enter and exit Menu and Settings.

## Rear panel



No.	Control	Function
1	AC IN	To connect the power cord for power supply.
2	FM 75Ω	To connect the antenna for FM radio reception.
3	AUX IN L	To connect the left channel of an analogue device, for example a CD player or media player, to your UPPLEVA sound system.
4	AUX IN R	To connect the right channel of an analogue device, for example a CD player or media player, to your UPPLEVA sound system.
5	OPTICAL IN	To connect to an optical audio output on the TV or a digital device.
6	HDMI	To connect to the HDMI-ARC input on the TV.
7	SERVICE	For service use only.
8	SPEAKERS (R/L) 4Ω	To connect to the right speaker of the UPPLEVA system.

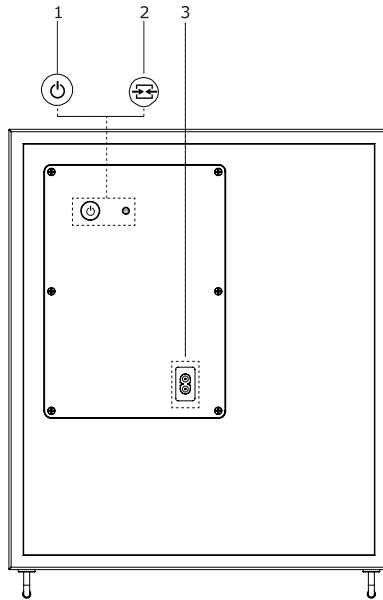
## Remote control



No.	Control	Function
1		Changes between different sound modes.
2		Play/Pause with connected Bluetooth devices.
3		Skips to previous track/TV channel/FM channel.*
4		Turns your TV on: if the TV is on, this changes the TV source.*
5		Power On or Off. Turns sound system and TV on and off.*
6		Source button. Turns the sound system on. If the sound system is on, this changes the sound system source.
7		Skips to next track/TV channel/FM channel.*
8		Mutes or unmutes the sound system.
9	+ VOL -	Turns the volume up or down.

\*These functions are only guaranteed to work with these UPPLEVA TVs:  
 402-565-98, 802-662-13, 202-565-99, 502-662-19, 802-566-00, 102-662-16,  
 602-566-01, 002-662-12, 002-565-81, 302-662-15, 602-565-78, 902-662-17.

## Subwoofer



No.	Control	Function
1	⏻	Power On or Off. Turns the subwoofer on and off.
2	↔	For pairing the subwoofer with the sound bar.
3	AC IN	To connect the power cord for power supply.

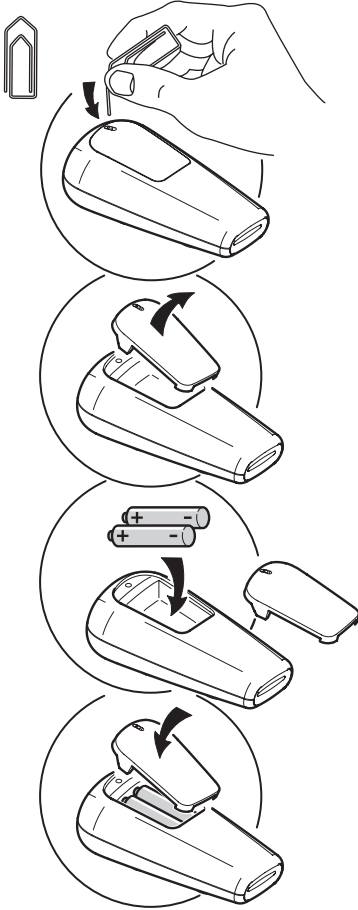
### 3 Preparation

#### Prepare the remote control

Insert two LR03 (AAA) batteries with correct polarity (+/-) as indicated on the remote control.

#### Notes:

- If you are not going to use the remote control for a long time, remove the batteries.
- Do not combine old and new or different types of batteries.
- Keep batteries away from heat, sunshine or fire.

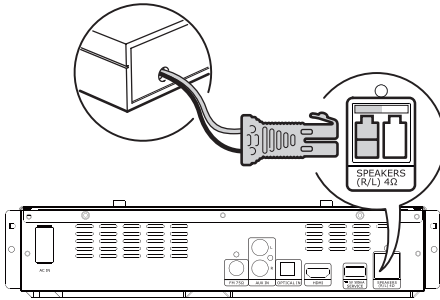


#### 4 Connection

Connect your sound system in these ways.

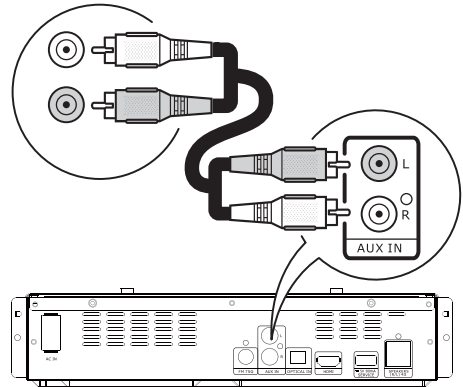
##### Connecting the right speaker

Connect the red speaker cable from the right speaker to the red SPEAKERS (R/L) 4Ω socket on the back of the sound bar.

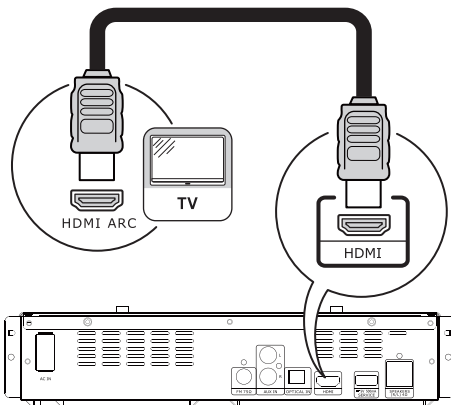


##### Connecting to an analogue output or device

Connect to an analogue audio output on the TV or other device, or to an analogue device.




##### Connecting to a TV

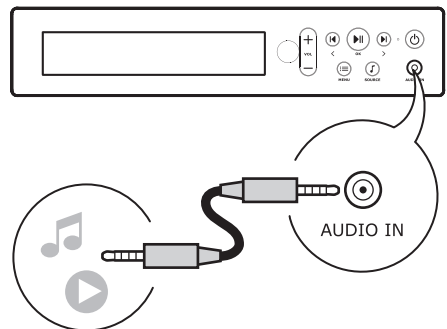


Connect the sound system to an UPPELEVA TV using an HDMI cable and the HDMI ARC socket on the TV. If you want to connect the sound system to another TV, we recommend you use HDMI ARC or OPTICAL sockets.

After connecting, press the SOURCE button on the remote control to switch to Television mode.

Connect the audio cable from the AUX IN sockets on the sound system to the AUDIO OUT sockets on the TV or other device. After connecting, press the  SOURCE button on the remote control to switch to Aux In mode.

##### Connecting to a media device



Connect a portable audio device, for example an MP3 player or CD player, to the AUDIO IN socket. After connecting, press the SOURCE button on the remote control to switch to Audio In mode.

**Pairing the subwoofer**

The subwoofer is already paired for automatic wireless connection with the sound bar when buying the sound system. The pairing is only needed in the rare occasion when connection is lost. To pair the subwoofer with the sound bar follow these steps.


1. Make sure both the sound bars and the subwoofer is on. The subwoofer light will flash slowly.
2. Press the pairing button on the back of the subwoofer for about 6 seconds. The indicator light on the front of the subwoofer starts to flash faster.
3. Enter the MENU of the sound system and select PAIR. The Display panel on the sound bar will show the message "Pairing". When the pairing is done the indicator light on the subwoofer will shine continuously.

Press the power button on the subwoofer to temporary switch it off. The indicator light on the front of the subwoofer will go out.

## 5 Using your sound system


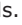
This chapter helps you use your sound system to play media from a wide range of sources. Make sure the necessary connections are done before you start.

### TV

If your TV has an HDMI ARC socket the sound system can play sound from the TV. To do this toggle the  sound system source key on the remote control until Television is chosen.

### FM radio

To search and store your favorite radio stations follow these steps.

1. Install the FM antenna in a suitable location and connect it to the FM antenna input. Install the FM antenna in a suitable location and connect it to the FM antenna input. Press SOURCE on the sound system bar, toggle to *FM*.
2. Press MENU on the sound system bar to enter the menu options. Use *</>* to select *FM INSTALL* and press OK. The available stations are automatically stored. Press MENU on the sound system bar to store the channels. Use ,  buttons to switch between the stations.

To manually tune stations follow these steps.

1. Press SOURCE on the sound system bar and toggle to *FM*.
2. Press MENU on the sound system bar to enter the menu options. Use *</>* to select *FM MANUAL TUNE* and press OK. Use *</>* to fine tune the frequency by steps of 0.05MHz. Press OK to store the new frequency. Select a new station number with *</>* and press OK.

To delete stored stations follow these steps.

1. Press SOURCE on the sound system bar and toggle to *FM*. Use *</>* to select the station you want to delete.
2. Press MENU on the sound system bar to enter the menu options. Use *</>* to select *FM DELETE* and press OK. Press menu to return to *FM*.

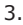


To choose your favorite display mode on the sound system panel display follow these steps.

1. Press SOURCE on the sound system bar and toggle to *FM*.
2. Press MENU on the sound system bar to enter the menu options. Use *</>* to select *INFO* and press OK. Use *</>* to select your preferred display mode and press OK to confirm.
  - *INFO<FREQ>* will display the frequency channel.
  - *INFO<RDS>* will display the text from Radio Data System (when available).
  - *INFO<RADIO-TEXT>* will display the radio text (when available).

### Bluetooth

All Bluetooth enabled phones, tablets and other media devices are compatible with UPPLEVA sound system\*. Once your media device is paired with the sound system it will automatically connect when BLUETOOTH is chosen as a source again. The sound system can be paired with 8 devices but it will only be visible to the device connected firstly. Follow these steps to pair, use and disconnect Bluetooth.

To pair a media device.

1. Press the sound system source button on the remote control and toggle to *BLUETOOTH*. If there is no device connected, the panel display will show *Bluetooth Wait*.
2. Switch on Bluetooth on your media device. Connect to the sound system by connecting to "UPPLEVA". Once connected the display panel will show *Bluetooth Ready*.
3. Use , ,  and *<+ VOL ->* buttons to control the music playing.

To choose your favorite display mode on the panel display.

1. Press SOURCE on the sound system bar and toggle to *BLUETOOTH*.
2. Press MENU on the sound system bar to enter the menu options. Use *</>* to select *INFO* and press OK. Use *</>* to select your preferred display mode and press OK to confirm. Press MENU to finish.
  - *ID3* will display the Title on the top row and the Artist and Album on the bottom row.
  - *TIME* will display the text BLUETOOTH on the top row and the Time on the bottom row.

\*Provided it is compatible with Bluetooth v2.1+EDR or higher.

To unpair a media device.


1. Press SOURCE on the sound system bar and toggle to *BLUETOOTH*.
2. Press MENU on the sound system bar to enter the menu options. Use </> and the OK button to select *FORCE UNLINK*.

*Note: force unlink is required if you have connected the sound system to more than 8 different devices.*

To disconnect a media device.


Switch off Bluetooth on your Bluetooth device or simply unpair with UPPLEVA to disconnect.

### **Choosing sound mode**

You can choose between different sound modes to improve the sound experience. Press  on the remote control to choose between Standard, Music, News, Movies and Personal mode. The sound mode effect becomes fully audible after a few seconds.

To set up the personal mode

In the personal mode you can choose bass and treble levels and the wide mode according to your own preference. Follow these steps to set your personal mode.

1. Press  on the remote control and toggle to Personal mode.
2. Bass level: Press MENU on the on the sound system bar to enter the menu options. Use </> to select BASS and press OK. Use </> to choose on a scale from -8 to 8 and press OK to confirm. Press MENU to finish. The higher level you choose the more enhanced the bass sounds will be.
3. Treble level: Press MENU on the on the sound system bar to enter the menu options. Use </> to select TREBLE and press OK. Use </> to choose on a scale from -6 to 6 and press OK to confirm. The higher level you choose the more enhanced the treble sounds will be.

## 6 Settings

### Sound settings

To get a surround sound effect the WIDE mode can be turned on:

1. Press MENU on the sound system bar to enter the menu options. Use </> to select *WIDE* and press OK. Use the > button to switch to *On* and press OK to confirm. Press MENU to finish.

The subwoofer bass level can be adjusted to fit your preference.

1. Press MENU on the on the sound system bar to enter the menu options. Use </> to select *SUB* and press OK. Use </> to choose on a scale from -9 to 0 and press OK to confirm. Press MENU to finish. The higher the value, the more the bass will be enhanced.

### Panel display brightness

The panel display brightness can be adjusted to suit different surroundings or preferences. Follow these steps to change the brightness.

1. Press MENU on the sound system bar to enter the menu options. Use </> to select *BRIGHTNESS* and press OK.
2. Use the </> buttons to select *Off*, *Low*, *AUTO* or *High* and press OK to confirm. Press MENU to finish. The *High* and *Low* settings will give a high respectively low brightness of the panel display while with the *Auto* setting the panel display will dim down after 15 seconds of non-use. The *Off* setting will clear the display of all information for a less distracting appearance. The volume indicator ring remains visible. Any operation will show the display information for 15 seconds.

### Change the standby time

To save energy the sound system will enter standby automatically if there is no sound playing. Follow these steps to adjust the time before it enters standby. Select *OFF* to prevent the system to enter standby by itself.

1. Press MENU on the sound system bar to enter the menu options. Use </> to select *AUTO STANDBY* and press OK.
2. Use </> to select your preferred timing and press OK to confirm. Press menu to finish.

### UPPLEVA TV

We recommend you to do the following setting if you have another TV (not UPPLEVA\*) connected with HDMI to the UPPLEVA sound system. The setting makes the TV and the UPPLEVA sound system function in the best possible way together.

Follow these steps to set it up.

1. Press MENU on the sound system bar, toggle to UPPLEVA TV and press OK.
2. Select *No* if you don't have an UPPLEVA TV\*.

The setting "*No*" will prevent the sound system to break in as the active source on your TV when it is turned on.

The setting "*Yes*" must be used for UPPLEVA TV\*

You can change the setting back again if you want to use the UPPLEVA sound system with an UPPLEVA TV\* at a later stage.

Follow these steps to set it up.

1. Press MENU on the sound system bar, toggle to UPPLEVA TV and press OK.
2. Select *Yes* if you have an UPPLEVA TV\*

\*Only valid for these UPPLEVA TVs (stated in article numbers):

402-565-98, 802-662-13, 202-565-99, 502-662-19, 802-566-00, 102-662-16, 602-566-01, 002-662-12, 002-565-81, 302-662-15, 602-565-78, 902-662-17.

### Reset to default settings

Follow these steps to reset the sound system to default settings.

1. Press MENU on the sound system bar to enter the menu options. Use </> to select *RESET* and press OK. The text *Warning* will be shown on the panel display. Press OK.
2. Use </> to select *Yes* or *No*. *Yes* will reset the sound system to factory settings and *No* will jump back to menu options.

## 7 Specifications

### Main Functions

- FM tuner / Bluetooth / Audio in /Aux in / Optical in /HDMI
- Speaker Type: 2.1 Stereo+subwoofer
- HDMI system control:
- HDMI CEC 1.4, ARC, System Audio control, Remote Pass Through, OneTouchStandby, One touch play
- FM functions: RDS, Radio-text (PS, RT)
- Sound modes: 5 presets, bass and treble
- Surround: Virtual Surround
- Auto Standby

### Audio Input Connections

- HDMI + CEC/ARC
- Digital in: Optical
- AUX in L/R: cinch
- Front audio in: 3,5 mm
- FM antenna: 75 ohm

### Supported digital audio formats

- Dolby digital / PCM
- Sample rate 32kHz/44.1kHz/48kHz

### Bluetooth

- Version compatibility: 2.1+EDR or higher
- Codec support: SBC, A2DP 1.2, AVRCP 1.4
- Auto pairing: up to 8 devices
- Auto A2DP connect
- ID3 tag display: Title/artist/album
- Player control: Play/pause, Next/previous, Fwd/Frew

### Service

- The SERVICE USB port is only used to update the software.

#### Note:

*Do not power outage and pull the USB device when update software.*

### Main Unit

- Power supply rating: 220-240V 50/60Hz
- Power consumption in standby mode: <0.5W
- Rated power consumption of Sound system bar: 30W
- Rated power consumption of subwoofer: 20W
- Power consumption of the subwoofer in standby mode: <0.5W
- Power consumption of the subwoofer in networked standby mode: <2.0W
- Operating temperature: 5°C to 35°C
- Operating humidity: Less than 80% (no condensation)

### Amplifier

- Total output power: 100W RMS (1% THD)
- Frequency response: 40 Hz-20 kHz
- Input sensitivity:  
AUX IN: 2 V  
AUDIO IN: 1 V

### Radio

- Tuning range:  
FM 87.5-108 MHz (50 kHz)
- Signal-to-noise ratio: FM 50 dB

## 8 Troubleshooting

If you experience any of the following difficulties while using this unit, check the list below. If you still experience problems with your UPPLEVA sound system, please contact IKEA Customer Service at [www.IKEA.com](http://www.IKEA.com).

Problem	Tip
No reaction to the remote control.	Make sure the remote control is pointed towards the sound system.
	Make sure the batteries are inserted correctly.
	Check if the batteries are drained of power and needs to be changed to new ones.
Poor FM reception	Make sure the FM antenna is connected and installed properly. Alternatively use an outdoor FM antenna, or use a FM cable connection.
Can not use Bluetooth.	Make sure your phone, tablet or other media device supports Bluetooth.
	Make sure to connect to the correct IKEA device named <i>UPPLEVA</i> .
	Make sure your phone, tablet or other media device is paired and that its bluetooth function is turned on.
	Make sure no other Bluetooth devices in the room are paired. If another bluetooth device is paired, turn off the bluetooth function in that device.
Poor sound quality when playing via Bluetooth.	The Bluetooth reception is poor. Move the device closer to the sound system or remove any obstacles between the device and the sound system. Note: Bluetooth reception will normally operate at a distance of up to 6-8 meters in unobstructed path. When objects, furniture or walls are in between, distance will be reduced. Also when the device is placed in pockets of cloths or in a bag, distance can be reduced.
No sound from TV.	Make sure the sound system is connected to the TV through the HDMI ARC socket of your TV.
	Make sure the T-link function in the UPPLEVA TV is switched on.
No sound from the sound system.	Make sure that the sound system is connected to the power source.
	Make sure the sound system is on.
	Make sure the cables are connected and not broken.
	Make sure both left and right speakers are connected.
	Make sure mute is not activated or the volume is set to 0.
	Make sure the correct source is chosen.
TV screen changes its input source and turns black when the sound system is turned on.	Make sure you have chosen if you have an UPPLEVA TV* or not in the UPPLEVA TV setting, see Chapter 6 Settings / UPPLEVA TV. *Only valid for these UPPLEVA TVs: 402-565-98, 802-662-13, 202-565-99, 502-662-19, 802-566-00, 102-662-16, 602-566-01, 002-662-12, 002-565-81, 302-662-15, 602-565-78, 902-662-17.

**Note! If the problems you are experiencing are not solved by above tips unplug the power cord for 1 minute. In rare cases the sound system might need a software upgrade. Please contact IKEA Customer Service at [www.IKEA.com](http://www.IKEA.com) for more information.**

## 9 Glossary

### **ARC**

Audio Return Channel is a technology used in HDMI connections of Televisions and Sound System devices. ARC will output the sound of the TV image through the HDMI cable to the sound system. It prevents the need to install an extra audio cable.

### **Digital Audio**

Digital Audio is a sound signal that has been converted into numerical values. Digital sound can be transmitted through multiple channels. Analogue sound can only be transmitted through two channels.

### **Dolby® Digital**

The system to compress digital sound developed by Dolby Laboratories. It offers you sound of stereo (2ch) or multichannel audio.

### **HDCP**

High-bandwidth Digital Content Protection. This is a specification that provides a secure transmission of digital contents between different devices (to prevent unauthorized copyright.)

### **HDMI®**

High-Definition Multimedia Interface (HDMI) is a high-speed digital interface that can transmit uncompressed high definition video and digital multichannel audio. It delivers high quality picture and sound quality. HDMI is fully backward-compatible with DVI. As required by the HDMI standard, connecting to HDMI or DVI products without HDCP (High-bandwidth Digital Content Protection) will result in no Video or Audio output.

### **HDMI-CEC**

The HDMI connection allows the TV and Sound System a unified system control via HDMI CEC signals. You can use one Remote Control to operate functions in either of the devices. These include for instance combined volume control, automatic source selection, an automated power on and off of the TV and the sound system, or change the TV channels.

### **PCM**

Pulse Code Modulation. A digital audio encoding system.

## 10 Contact IKEA

If you have any questions regarding your new UPPLEVA TV or Sound System or need service or support, contact IKEA Customer Service at [www.IKEA.com](http://www.IKEA.com).

To be sure we can give you the best possible assistance, please read the manual carefully before contacting us. And have the article number for your purchase at hand when you call. You'll find this 8-digit article number on your receipt or on the back of your UPPLEVA TV or Sound System.

## 11 DECLARATION OF CONFORMITY

The product satisfies the provision for CE-marking according to the following directive(s):

- Low Voltage Directive (LVD) 2006/95/EC
- EMC Directive 2004/108/EC
- RoHS Directive 2011/65/EU
- ErP Directive 2009/125/EC
- R&TTE Directive 1999/5/EC

<b>Type of equipment:</b>	Sound System
<b>Brand name or trade mark:</b>	IKEA
<b>Type designation:</b>	Sound bar: MFE, MFC, Wireless subwoofer: SFE, SFC
<b>Manufacturer:</b>	IKEA of Sweden AB
<b>Address:</b>	Box 702, SE-343 81 Älmhult SWEDEN
<b>Telephone No.:</b>	+46(0)476-81000

The following harmonised European standards or technical specifications, which comply with good engineering practice in safety matters in force within the EEA, have been applied.

### Safety

EN 60065: 2002 (Seventh Edition) + A1: 2006 + A11: 2008 + A2: 2010 + A12: 2011

### EMC

EN61000-3-2:2006+A1:2009+A2:2009  
 EN61000-3-3:2008  
 EN62479:2010  
 EN55013:2001+A1:2003+A2:2006  
 EN55020:2007+A11:2011

### R&TTE

ETSI EN300 328 V1.8.1: 2012  
 ETSI EN300440-1 V1.6.1:2010  
 ETSI EN300440-2 V1.4.1:2010  
 ETSI EN301489-1 V1.9.2:2011  
 ETSI EN301489-17 V2.2.1:2012  
 ETSI EN301489-3 V1.4.1:2002

### ERP

Regulation 1275/2009

Additional information

The product is CE-marked 2014.

We have product surveillance according to IKEA product description.

As the manufacturer/manufacturers authorised representative established within the EEA, we declare under our sole responsibility that the equipment follows the provisions of the Directives stated above.



Date 2014-08-18  
 Business Area Manager  
 Living room & Workspaces  
 IKEA of Sweden AB

**Inhalt**

<b>1 Wichtig</b> .....	<b>22</b>
Sicherheit und wichtige Hinweise .....	22
Entsorgung von Altgeräten und Batterien.....	22
Copyright Hinweis .....	23
Hinweise zu den Markennamen .....	23
<b>2 Produktübersicht</b> .....	<b>24</b>
Soundsystemleiste .....	24
Rückseite .....	25
Fernbedienung .....	26
Subwoofer.....	27
<b>3 Vorbereitung</b> .....	<b>28</b>
Vorbereiten der Fernbedienung .....	28
<b>4 Verbindung</b> .....	<b>29</b>
Verbindung zum rechten Lautsprecher .....	29
Anschluss an einen Fernseher .....	29
Anschluss an einen Analogausgang oder Gerät .....	29
Anschluss an ein Mediengerät .....	29
Paarung des Subwoofers .....	30
<b>5 Verwendung Ihres Soundsystems</b> .....	<b>31</b>
TV.....	31
FM Radio.....	31
Bluetooth .....	31
Auswahl des Klangmodus .....	32
<b>6 Einstellungen</b> .....	<b>33</b>
Sound-Einstellungen .....	33
Helligkeit des Anzeigefeldes .....	33
Ändern der Standby-Zeit .....	33
UPPLEVA TV .....	33
Auf Werkseinstellung zurücksetzen .....	33
<b>7 Spezifikationen</b> .....	<b>34</b>
<b>8 Fehlerbehebung</b> .....	<b>35</b>
<b>9 Glossar</b> .....	<b>36</b>
<b>10 Kontakt IKEA</b> .....	<b>36</b>
<b>11 KONFORMITÄTSERKLÄRUNG ÜBERSETZUNG</b> .....	<b>37</b>

## 1 Wichtig

### Sicherheit und wichtige Hinweise

#### Warnung:

- Gefahr der Überhitzung! Installieren Sie das Produkt niemals in geschlossenen Räumen. Lassen Sie für die Belüftung immer einen Abstand von mindestens 5 mm rund um das Produkt. Stellen Sie sicher, dass Vorhänge und andere Gegenstände die Lüftungsschlitze am Produkt nicht verdecken.
- Platzieren Sie das Produkt, die Fernbedienung oder Batterien niemals in die Nähe von offenem Feuer oder anderen Wärmequellen, einschließlich direktem Sonnenlicht.
- Verwenden Sie dieses Produkt nur im Innenbereich. Das Gerät darf weder Tropf- noch Spritzwasser ausgesetzt werden, noch dürfen mit Flüssigkeiten gefüllte Objekte, wie z. B. Vasen, auf dem Gerät platziert werden.
- Stellen Sie dieses Gerät niemals auf andere elektrische Geräte.
- Der Netzstecker oder ein Gerätepaar, das als Trennvorrichtung verwendet wird, muss immer frei zugänglich bleiben.
- Batterien (Akkus oder Batterien) dürfen niemals übermäßiger Wärme wie Sonnenschein, Feuer oder ähnlichem ausgesetzt werden.

Dieses Produkt und die mitgelieferten Zubehörteile sind mit der „CE“-gekennzeichnet und erfüllen somit die zutreffenden harmonisierten Europäischen Normen: Die Niederspannungsrichtlinie 2006/95/EG, die EMV-Richtlinie 2004/108/EG, die ErP-Richtlinie 2009/125/EG.

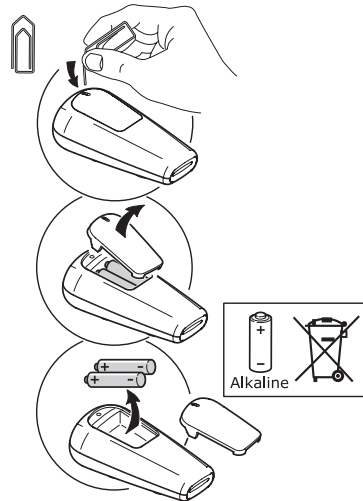


### Entsorgung von Altgeräten und Batterien



Das Symbol der durchgestrichenen Abfalltonne zeigt an, dass der Artikel getrennt vom Hausmüll entsorgt werden sollte. Der Artikel sollte dem Recycling zugeführt werden in Übereinstimmung mit den örtlichen Bestimmungen zur Abfallbeseitigung.

Die Trennung markierter Artikel von Haushaltsabfällen hilft dabei, das Volumen der Abfälle in Verbrennungsanlagen oder Landfüllung zu verringern und alle möglichen negativen Auswirkungen auf die menschliche Gesundheit und die Umwelt zu minimieren. Für weitere Informationen, kontaktieren Sie bitte Ihre IKEA-Filiale.



## Copyright Hinweis



Be responsible  
Respect copyrights

Dieser Artikel enthält Kopierschutztechnologie, die durch US-Patente und andere geistige Eigentumsrechte der Rovi Corporation geschützt sind. Reverse Engineering und Demontage sind verboten.

## Hinweise zu den Markennamen



HIGH-DEFINITION MULTIMEDIA INTERFACE

HDMI, das HDMI-Logo und High-Definition Multimedia Interface sind Warenzeichen oder eingetragene Warenzeichen von HDMI Licensing LLC in den Vereinigten Staaten und anderen Ländern.



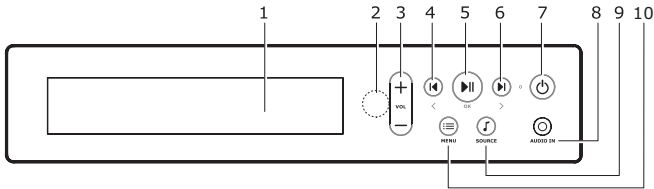
Dolby und das Doppel-D Symbol, sind eingetragene Warenzeichen von Dolby Laboratories.



Der Bluetooth-Markennamen und Logos sind eingetragene Markennamen im Besitz von Bluetooth SIG, Inc. und jegliche Verwendung dieser Marken durch IKEA, erfolgt unter Lizenz. Andere Marken und Markennamen sind Eigentum der jeweiligen Inhaber.

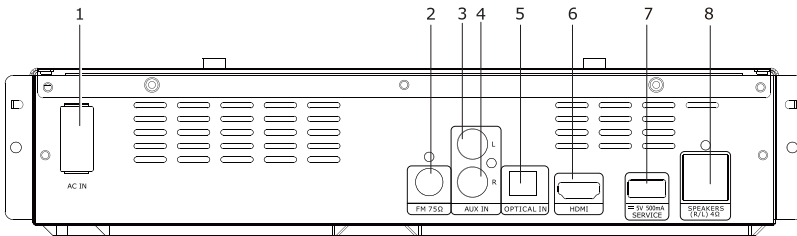
## 2 Produktübersicht

### Soundsystemleiste



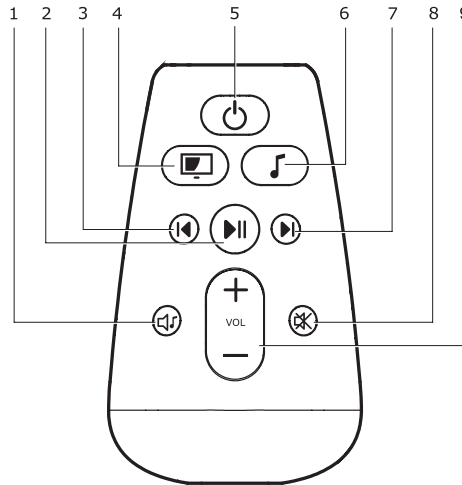
Nr.	Steuerung	Funktion
1	Anzeigefeld	Zeigt Informationen darüber, was das Soundsystem abspielt.
2	IR-Sensor	Zeigt die Fernbedienung am IR (Infrarot)-Sensor.
3	VOL +  VOL -	Erhöht die Lautstärke. Jedes drücken erhöht die Lautstärke um einen Schritt. Drücken und halten, um weiter zu erhöhen.  Verringert die Lautstärke. Jedes drücken verringert die Lautstärke um einen einen Schritt. Drücken und halten, um weiter zu verringern.
4	◀  <	Springen zum vorherigen Titel oder UKW-Kanal.  Navigiert rückwärts im Menü.
5	▶    OK	Wiedergabe/Pause.  Drücken Sie im Menü OK.
6	▶  >	Zum vorherigen Titel oder UKW-Kanal springen.  Im Menü vorwärts navigieren.
7	⏻	Drücken, zum Ein/Ausschalten.
8	AUDIO IN	Für ein Audiowiedergabegerät, beispielsweise einen MP3-Player oder CD-Player.
9	SOURCE	Drücken, um die Quelle zu ändern.
10	MENU	Drücken, um die Option Menü und Einstellungen zu erreichen und zu verlassen.

## Rückseite



Nr.	Steuerung	Funktion
1	AC IN	Anschluß des Netzkabels für die Stromversorgung.
2	FM 75Ω	Anschluß der Antenne für den FM-Radioempfang.
3	AUX IN L	Anschluß des linken Kanals eines analogen Geräts, beispielsweise eines CD- oder Media-Players, zu Ihrem UPPLEVA Soundsystem.
4	AUX IN R	Anschluß des rechten Kanals eines analogen Geräts, beispielsweise eines CD- oder Media-Players, zu Ihrem UPPLEVA Soundsystem.
5	OPTICAL IN	Anschluß eines optischen Audio-Ausgangs eines Fernsehers oder Verbindung zu einem digitalen Gerät.
6	HDMI	Anschluß zum HDMI-ARC-Eingang am TV-Gerät.
7	SERVICE	Nur für Servicezwecke.
8	SPEAKERS (R/L) 4Ω	Anschluß an den rechten Lautsprecher des UPPLEVA -Systems.

## Fernbedienung

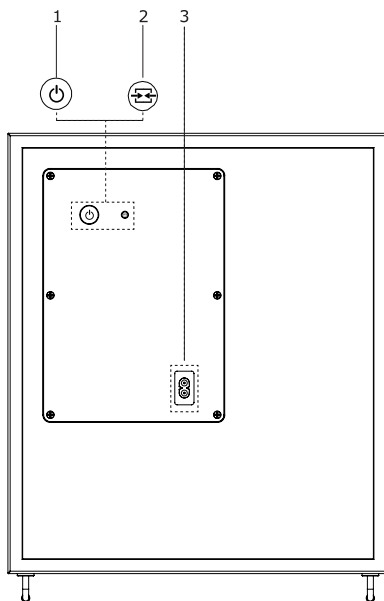




Nr.	Steuerung	Funktion
1		Änderungen zwischen verschiedenen Sound-Modi.
2		Wiedergabe/Pause von verbundenen Bluetooth-Geräten.
3		Springt zum vorherigen Titel/TV-Kanal/UKW-Kanal.*
4		Schaltet Ihr TV ein: wenn der Fernseher an ist, ändert dies die TV-Quelle*.
5		Netzspannung Ein- oder Ausschalten. Schaltet das Soundsystem und TV ein und aus.*
6		Source-Taste. Schaltet das Soundsystem ein. Wenn das Soundsystem eingeschaltet ist, ändert es die Quelle des Soundsystems.
7		Springt zum vorherigen Titel/TV-Kanal/UKW-Kanal.*
8		Stummschalten oder Einschaltung des Soundsystems.
9	+ VOL -	Erhöht oder verringert die Lautstärke.

\*Diese Funktionen werden nur mit diesen UPPLEVA TVs (angegeben in Artikelnummern) gewährleistet:

402-565-98, 802-662-13, 202-565-99, 502-662-19, 802-566-00, 102-662-16, 602-566-01, 002-662-12, 002-565-81, 302-662-15, 602-565-78, 902-662-17.

## Subwoofer



Nr.	Steuerung	Funktion
1		Netzspannung Ein- oder Ausschalten. Schaltet den Subwoofer Ein und Aus.
2		Für die Paarung des Subwoofers mit der Soundleiste.
3	AC IN	Anschluß des Netzkabels für die Stromversorgung.

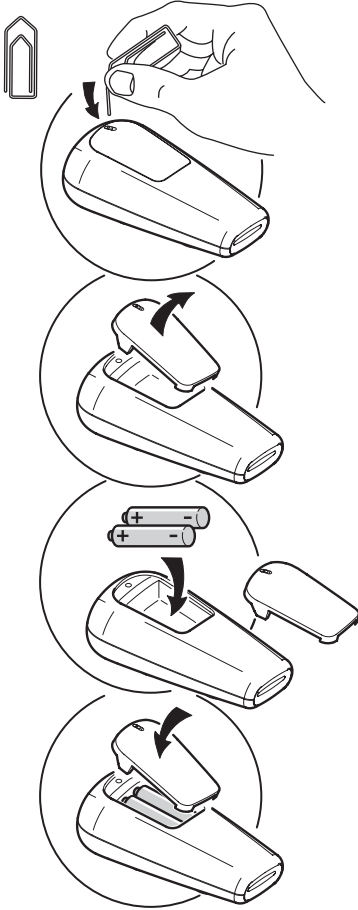
### 3 Vorbereitung

#### Vorbereiten der Fernbedienung

Legen Sie zwei LR03 (AAA) Batterien mit der richtige Polarität (+ / -) ein, wie auf der Fernbedienung angegeben

#### Hinweise:

- Wenn Sie die Fernbedienung längere Zeit nicht verwenden, entfernen Sie die Batterien.
- Kombinieren Sie keine alten mit neuen oder anderen Arten von Batterien.
- Halten Sie die Batterien fern von Hitze, Sonnenschein oder Feuer.

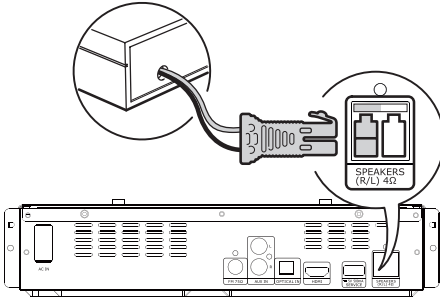


#### 4 Verbindung

So schließen Sie Ihr Soundsystem an.

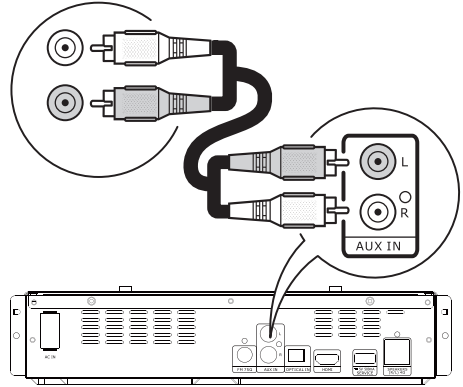
##### Verbindung zum rechten Lautsprecher

Schließen Sie das rote Lautsprecherkabel des rechten Lautsprechers an die rote SPEAKERS (R/L) 4 Ω-Buchse auf der Rückseite der Soundsystem-Leiste an.

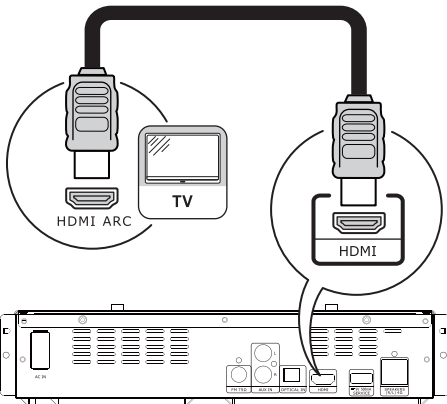


##### Anschluss an einen Analogausgang oder Gerät

Anschluß an einen analogen Audio-Ausgang am TV oder einem anderen Gerät oder zu einem analogen Gerät.



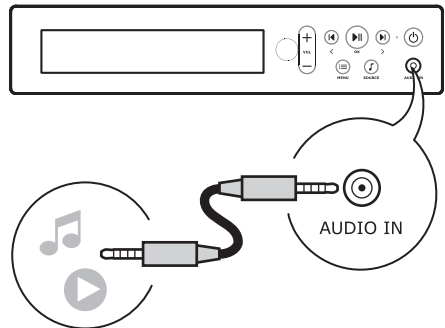
##### Anschluss an einen Fernseher



Anschluß des Soundsystems an ein UPPELEVA TV über ein HDMI-Kabel und den HDMI ARC-Anschluss am TV. Wenn Sie das Soundsystem an ein anderes TV-Gerät anschließen möchten, empfehlen wir Ihnen die Verwendung von HDMI ARC oder der OPTICAL-Anschlüsse. Nach dem Anschluss, drücken Sie die Taste SOURCE auf der Fernbedienung, um zum TV-Modus zu wechseln.

Verbinden Sie das Audiokabel der AUX-IN Buchsen am Soundsystem mit den AUDIO OUT Buchsen am TV oder einem anderen Gerät. Nach dem Anschluss, drücken Sie die Taste SOURCE auf der Fernbedienung, um zum Aux In Modus zu wechseln.

##### Anschluss an ein Mediengerät



Anschluss eines tragbaren Audiogeräts, zum Beispiel einen MP3-Player oder CD-Player, an die AUDIO IN Buchse. Nach dem Anschluss, drücken Sie die Taste SOURCE auf der Fernbedienung, um zum Audio In Modus zu wechseln.

### **Paarung des Subwoofers**

Der Subwoofer ist bereits beim Kauf des Soundsystems für automatische Funkverbindung mit der Soundsystem-Leiste gepaart.

Die Paarung wird nur in den seltenen Fällen benötigt, wenn die Verbindung verloren geht. Um den Subwoofer mit der Soundsystem-Leiste zu paaren, gehen Sie wie folgt vor:

1. Stellen Sie sicher, dass sowohl die Soundsystem-Leiste, als auch der Subwoofer eingeschaltet ist. Das Licht am Subwoofer blinkt langsam.
2. Drücken Sie die Pairing Taste auf der Rückseite des Subwoofers für etwa 6 Sekunden. Die Leuchtanzeige an der Vorderseite des Subwoofers beginnt schneller zu blinken.
3. Rufen Sie das MENU am Soundsystem auf und wählen Sie PAIR. Im Anzeigefeld auf der Soundsystem-Leiste erscheint die Meldung "Pairing". Wenn die Paarung erfolgt ist, leuchtet die Kontrollleuchte auf dem Subwoofer ständig.

Drücken Sie den Ein-/Ausschalter am Subwoofer, um das Gerät vorübergehend auszuschalten. Die Leuchtanzeige an der Vorderseite des Subwoofers erlischt.

## 5 Verwendung Ihres Soundsystems

Dieses Kapitel hilft Ihnen bei der Verwendung Ihres Soundsystems, um Medien aus einer Vielzahl von Quellen wiederzugeben. Stellen Sie sicher, dass die notwendigen Anschlüsse erfolgt sind, bevor Sie beginnen.

### TV

Wenn Ihr TV über eine HDMI-ARC Buchse verfügt, kann das Soundsystem den Ton des TV wiedergeben. Dazu drücken Sie die Taste SOURCE des Soundsystems auf der Fernbedienung, bis TV gewählt ist.

### FM Radio

Um Ihre Lieblings-Radiosender zu suchen und zu speichern, gehen Sie folgendermaßen vor:

1. Stellen Sie die FM-Antenne an einem geeigneten Ort auf und verbinden Sie sie mit der FM-Antennenbuchse. Drücken Sie SOURCE an der Soundsystem-Leiste und stellen Sie FM ein.
2. Drücken Sie MENU auf der Soundsystem-Leiste, um zur Menüoptionen zu gelangen. Verwenden Sie </>, um FM INSTALL auszuwählen, und drücken Sie OK. Die verfügbaren Sender werden automatisch gespeichert. Drücken Sie MENU an der Soundsystem-Leiste, um die Kanäle zu speichern. Verwenden Sie die ◀, ▶-Tasten, zum Wechseln zwischen den Sendern.

Um manuell Sender einzustellen, gehen Sie folgendermaßen vor:

1. Drücken Sie SOURCE auf der Soundsystem-Leiste und schalten Sie auf FM.
2. Drücken Sie MENU auf der Soundsystem-Leiste, um zur Menüoptionen zu gelangen. Verwenden Sie </>, um FM MANUAL TUNE auszuwählen und drücken Sie OK. Benutzen Sie </> um die Frequenz in Schritten von 0,05 MHz einzustellen. Drücken Sie OK, um die neue Frequenz abzuspeichern. Mit </> wählen Sie eine neue Sendernummer aus. Drücken Sie dann OK.

Um gespeicherte Sender zu löschen, gehen Sie folgendermaßen vor:

1. Drücken Sie SOURCE auf der Soundsystem-Leiste und schalten Sie auf FM. Mithilfe von </> den Sender auswählen, den Sie löschen möchten.
2. Drücken Sie MENU auf der Soundsystem-Leiste, um zur Menüoptionen zu gelangen. Verwenden Sie </>, um FM DELETE auszuwählen und drücken Sie OK. Drücken Sie MENU, um zu FM zurückzukehren.

Um Ihren Lieblingsanzeigemodus auf dem Anzeigefeld des Soundsystems auszuwählen, gehen Sie folgendermaßen vor:

1. Drücken Sie SOURCE auf der Soundsystem-Leiste und schalten Sie auf FM.
2. Drücken Sie MENU auf der Soundsystem-Leiste, um zur Menüoptionen zu gelangen. Verwenden Sie </>, um INFO auszuwählen, und drücken Sie OK. Verwenden Sie </>, um Ihren bevorzugten Anzeigemodus einzustellen, und bestätigen Sie mit OK.
  - INFO <FREQ> , zeigt die Frequenz des Kanals an.
  - INFO <RDS> , zeigt den Text des Radio Data Systems an (wenn verfügbar).
  - INFO <RADIO-TEXT> , zeigt den Radio Text an (wenn verfügbar).
  - INFO <OFF> , dunkelt die Anzeige nach 15 Sekunden ab, wenn keine Eingabe erfolgt.

### Bluetooth

Alle Bluetooth-fähigen Handys, Tablets und andere Mediengeräte sind kompatibel mit dem UPPEVA Sound System\*. Sobald Ihr Medien-Gerät einmal mit dem Soundsystem gekoppelt wurde, wird es automatisch verbinden, wenn BLUETOOTH wieder als Quelle gewählt wird. Das Soundsystem kann mit acht Geräten gekoppelt werden, aber es wird nur für das zuerst angeschlossene Gerät sichtbar sein. Befolgen Sie diese Schritte, um mit Bluetooth zu paaren, die Paarung zu verwenden und wieder zu trennen.

Um ein Mediengerät zu paaren:

1. Drücken Sie die SOURCE-Taste am Soundsystem auf der Fernbedienung und gehen Sie zu BLUETOOTH. Wenn kein Gerät angeschlossen ist, wird das Display Bluetooth wait anzeigen.
2. Wechseln Sie zu Bluetooth auf dem Mediengerät. Verbinden Sie mit dem Soundsystem, durch anschließen an "UPPEVA". Wenn Sie verbunden sind, zeigt das Anzeigefeld Bluetooth ready.
3. Benutzen Sie die ◀, ▶, ▶▶ und < + VOL-> -Tasten, zur Steuerung der Musikwiedergabe.

Um Ihren Lieblingsanzeigemodus auf dem Anzeigefeld des Soundsystems auszuwählen:

1. Drücken Sie SOURCE auf der Soundsystem-Leiste und schalten Sie auf BLUETOOTH.
2. Drücken Sie MENU auf der Soundsystem-Leiste, um zur Menüoptionen zu gelangen. Verwenden Sie </>, um INFO auszuwählen, und drücken Sie OK. Verwenden Sie </>, um Ihren bevorzugten Anzeigemodus einzustellen, und bestätigen Sie mit OK. Zum Abschluss MENU drücken.

- ID3 zeigt den Titel in der obersten Zeile und den Interpreten und das Album auf der unteren Zeile an.
- TIME zeigt den Text BLUETOOTH in der oberen Zeile und die Zeit in der unteren Zeile an.

\*Vorausgesetzt, es ist mit Bluetooth v2.1 + EDR oder höher kompatibel.


Um ein Mediengerät zu trennen.

1. Drücken Sie SOURCE auf der Soundsystem-Leiste und schalten Sie auf BLUETOOTH.
2. Drücken Sie MENU auf der Soundsystem-Leiste, um zur Menüoptionen zu gelangen. Verwenden Sie </> und die OK-Taste, um FORCE UNLINK auszuwählen. *Bitte beachten: FORCE UNLINK wird benötigt, wenn das Soundsystem an mehr als 8 Geräte angeschlossen ist.*


Um ein Mediengerät zu trennen.

Schalten Sie Bluetooth an Ihrem Bluetooth-Gerät ab oder einfach unpair mit UPPLEVA zur Trennung.

### **Auswahl des Klangmodus**

Sie können zwischen verschiedenen Sound-Modi wählen, um das Klangerlebnis zu verbessern. Drücken Sie  auf der Fernbedienung, um zwischen Standard-, Musik-, Nachrichten-, Film- und Persönlichem Modus zu wechseln. Der gewählte Sound-Modus ist nach ein paar Sekunden voll hörbar.

Um den persönlichen Modus einzustellen  
Im persönlichen Modus können Sie Bässe, Höhen und Klangbreite nach Ihren eigenen Vorstellungen wählen. Befolgen Sie diese Schritte, um Ihre persönlichen Modus einzustellen.

1. Drücken Sie  auf der Fernbedienung und gehen Sie zu Personal Mode.
2. Basspegel: Drücken Sie MENU auf der Soundsystem-Leiste, um zur Menüoptionen zu gelangen. Verwenden Sie </>, um BASS auszuwählen, und drücken Sie OK. Verwenden Sie </>, um von einer Skala von -8 bis 8 zu wählen und bestätigen Sie mit OK. Zum Abschluss MENU drücken. Je höher die Ebene ist, die Sie wählen, desto besser werden die Bassklänge.
3. Höhenpegel: Drücken Sie MENU auf der Soundsystem-Leiste, um zu Menüoptionen zu gelangen. Verwenden Sie </>, um TREBLE auszuwählen, und drücken Sie OK. Verwenden Sie </> auf einer Skala von -6 bis 6, und bestätigen Sie OK. Je höher die Ebene ist, die Sie wählen, desto besser werden die Höhenklänge.

## 6 Einstellungen

### Sound-Einstellungen

Um einen Surround-Sound Effekt zu erzielen, kann der WIDE-Modus eingeschaltet werden:

1. Drücken Sie MENU auf der Soundsystem-Leiste, um zur Menüoption zu gelangen. Verwenden Sie  $\langle / \rangle$ , um WIDE auszuwählen, und drücken Sie OK. Verwenden Sie die Schaltfläche  $\rangle$ , um auf ON umzuschalten und bestätigen Sie mit OK. Zum Abschluss MENU drücken.

Der Basspegel des Subwoofers kann nach Ihren Wünschen angepasst werden.

1. Drücken Sie MENU auf der Soundsystem-Leiste, um zur Menüoption zu gelangen. Verwenden Sie  $\langle / \rangle$ , um SUB auszuwählen, und drücken Sie OK. Verwenden Sie  $\langle / \rangle$ , um aus einer Skala von -9 bis 0 auszuwählen, und bestätigen Sie mit OK. Zum Abschluss MENU drücken. Je höher der Wert, desto mehr wird der Bass verbessert.

### Helligkeit des Anzeigefeldes

Die Helligkeit des Anzeigefeldes kann eingestellt werden, um sie an unterschiedliche Umgebungen oder Vorlieben anzupassen. Befolgen Sie diese Schritte, um die Helligkeit zu ändern:

1. Drücken Sie MENU auf der Soundsystem-Leiste, um zu Menüoptionen zu gelangen. Verwenden Sie  $\langle / \rangle$ , um BRIGHTNESS auszuwählen, und drücken Sie OK.

2. Verwenden Sie die  $\langle / \rangle$  Tasten, um Off, Low, AUTO oder High auszuwählen und bestätigen Sie mit OK. Zum Abschluss MENU drücken. Die High und Low Einstellungen werden eine hohe, bzw. geringe Helligkeit des Display ergeben, während mit der Auto-Einstellung, das Display sich nach 15 Sekunden der Nichtbenutzung abdunkelt. Durch die Off-Einstellung werden alle Informationen aus dem Anzeigefeld gelöscht, damit diese nicht zu sehr ablenken. Die Lautstärkenanzeige bleibt sichtbar. Jede vorgenommene Einstellung wird für 15 Sekunden auf dem Anzeigefeld zu sehen sein.

### Ändern der Standby-Zeit

Um Energie zu sparen wird das Soundsystem automatisch in den Standby-Modus gehen, wenn kein Ton abzuspielen ist. Befolgen Sie diese Schritte, um die Zeit einzustellen, bevor es in den Standby-Modus geht. Wählen Sie OFF, damit das System nicht automatisch in den Standby-Modus umschaltet.

1. Drücken Sie MENU auf der Soundsystem-Leiste, um zu Menüoptionen zu gelangen. Verwenden Sie  $\langle / \rangle$ , um zu AUTO STANDBY zu gelangen und drücken Sie OK.

2. Verwenden Sie  $\langle / \rangle$ , um Ihre bevorzugte Zeit einzustellen, und bestätigen Sie mit OK. Zum Abschluss MENU drücken.

### UPPLEVA TV

Folgende Einstellung empfehlen wir, wenn Sie einen anderen TV (nicht UPPLEVA\*) mit HDMI an das UPPLEVA Soundsystem angeschlossen haben. Diese Einstellung bewirkt, dass das TV-Gerät und das UPPLEVA-Soundsystem in der bestmöglichen Art und Weise zusammen funktionieren.

Befolgen Sie diese Schritte, zur Einrichtung.

1. Drücken Sie MENU auf der Soundsystem-Leiste, schalten Sie auf UPPLEVA TV und drücken Sie OK.

2. Wählen Sie No, wenn Sie kein UPPLEVA TV\* haben.

Die Einstellung "No" wird verhindern, dass das Soundsystem als aktive Quelle auf den TV reagiert, wenn es eingeschaltet ist. Die Einstellung "Yes" muss für UPPLEVA TV\* verwendet werden.

Sie können die Einstellung wieder ändern, wenn Sie das UPPLEVA Soundsystem zu einem späteren Zeitpunkt mit dem UPPLEVA TV\* verwenden möchten.

Befolgen Sie diese Schritte, zur Einrichtung:

1. Drücken Sie MENU auf der Soundsystem-Leiste, schalten Sie auf UPPLEVA TV und drücken Sie OK.

2. Wählen Sie Yes, wenn Sie ein UPPLEVA TV\* haben

\*Gilt nur für diese UPPLEVA TVs (angegeben in Artikelnummern):  
402-565-98, 802-662-13, 202-565-99,  
502-662-19, 802-566-00, 102-662-16,  
602-566-01, 002-662-12, 002-565-81,  
302-662-15, 602-565-78, 902-662-17.

### Auf Werkseinstellung zurücksetzen

Befolgen Sie diese Schritte, um das Soundsystem auf die Standardeinstellungen zurückzusetzen:

1. Drücken Sie MENU auf der Soundsystem-Leiste, um zu Menüoptionen zu gelangen. Verwenden Sie  $\langle / \rangle$ , um RESET auszuwählen, und drücken Sie OK. Der Text Warning wird auf dem Display angezeigt. Drücken Sie OK.

2. Benutzen Sie  $\langle / \rangle$ , um Yes oder No auszuwählen. Yes wird das Soundsystem auf die Werkseinstellungen zurücksetzen und No bringt Sie zurück zu den Menüoptionen.

## 7 Spezifikationen

### Hauptfunktionen

- FM-Tuner/Bluetooth/Audio in/Aux in/Optical in/HDMI
- Lautsprechertyp: 2.1 Stereo + Subwoofer
- HDMI-Systemsteuerung:
- HDMI CEC 1.4, ARC, Audio-Systemsteuerung, Remote Pass Through, One Touch Standby, One Touch Play
- FM-Funktionen: RDS, Radio-text (PS, RT)
- Sound-Modi: 5 Voreinstellungen, Bass und Höhen
- Surround: Virtual Surround
- Automatischer Standby-Modus

### Audio-Anschlüsse

- HDMI + CEC/ARC
- Digital in: Optical
- AUX in L/R: Cinch
- Audio in an der Vorderseite: 3,5 mm
- FM-Antenne: 75 Ohm

### Unterstützte digitale Audio-Formate

- Dolby digital/PCM
- Abtastgeschwindigkeit 32kHz/44.1kHz/48kHz

### Bluetooth

- Folgende Versionen sind kompatibel: 2.1 + EDR oder höher
- Codec-Unterstützung: SBC, A2DP 1.2, AVRCP 1.4
- Automatisches Koppeln: bis zu 8 Geräte
- Automatisch A2DP verbinden
- ID3-Tag-Anzeige: Title/artist/album (Titel/Interpret/Album)
- Player control: Play/Pause (abspielen/ Pause), Next/Previous (nächste/ vorherige), Fwd/Frew (vorspulen/ zurückspulen)

### Service

- Der SERVICE USB-Anschluss wird nur verwendet, um die Software zu aktualisieren.

#### Hinweis:

*Trennen Sie das Gerät nicht von der Netzspannung und ziehen Sie das USB-Gerät nicht heraus, wenn Sie die Software aktualisieren.*

### Hauptgerät

- Bewertung der Stromversorgung: 220-240V 50/60Hz
- Stromverbrauch im Standby-Modus: <0.5W
- Leistungsaufnahme der Soundsystem-Leiste: 30W
- Leistungsaufnahme des Subwoofers: 20W
- Leistungsaufnahme des Subwoofers im Standby-Modus: <0.5 W
- Energieverbrauch des Subwoofers im vernetzten Standby-Modus: <2.0W
- Betriebstemperatur: 5°C bis 35°C
- Luftfeuchtigkeit: Weniger als 80 % (keine Kondensation)

### Verstärker

- Gesamt-Ausgangsleistung: 100 W EFFEKTIV (1 % THD)
- Frequenzbereich: 40 Hz-20 kHz
- Eingangsempfindlichkeit: AUX IN: 2 V AUDIO IN: 1 V

### Radio

- Empfangsbereich: FM 87.5-108 MHz (50 kHz)
- Signal-Rausch-Verhältnis: FM 50 dB

## 8 Fehlerbehebung

Wenn eins der folgenden Probleme bei der Verwendung dieses Geräts auftreten, überprüfen Sie bitte die Liste unten. Wenn Sie immer noch Probleme mit Ihrem UPPLEVA Soundsystem haben, kontaktieren Sie bitte IKEA Customer Service bei [www.IKEA.com](http://www.IKEA.com).

Problem	Tipp
Keine Reaktion auf die Fernbedienung	Achten Sie darauf, dass die Fernbedienung auf das Soundsystem gerichtet ist.
	Achten Sie darauf, die Batterien richtig eingesetzt sind.
	Prüfen Sie, ob die Batterien entladen sind und ersetzt werden müssen.
Schlechter FM-Empfang	Stellen Sie sicher, dass die FM-Antenne ist angeschlossen und installiert ist. Alternativ können Sie eine FM-Außenantenne oder ein FM-Kabelverbindung verwenden.
Bluetooth funktioniert nicht.	Stellen Sie sicher, dass Ihr Telefon, Tablet oder anderes Mediengerät Bluetooth unterstützt.
	Stellen Sie sicher, dass Sie mit dem richtigen IKEA-Gerät mit dem Namen UPPLEVA verbinden.
	Stellen Sie sicher, dass Ihr Telefon, Tablet oder anderes Mediengerät gepaart ist und dass die Bluetooth-Funktion eingeschaltet ist.
	Stellen Sie sicher, dass keine anderen Bluetooth-Geräten im Raum gepaart sind. Wenn ein anderes Bluetooth-Gerät gepaart ist, schalten Sie die Bluetooth-Funktion in diesem Gerät ab.
Schlechte Tonqualität beim abspielen über Bluetooth.	Die Bluetooth-Empfang ist schlecht. Bewegen Sie das Gerät näher an das Soundsystem oder entfernen Sie alle Hindernisse zwischen dem Gerät und dem Soundsystem. Hinweis: Der Bluetooth-Empfang funktioniert normalerweise in einem freien Bereich von bis zu 6 - 8 Metern. Wenn Objekte, Möbel oder Wände dazwischen sind, wird der Bereich reduziert. Auch wenn das Gerät sich in Taschen von Bekleidung oder in einer anderen Tasche befindet, reduziert sich die Entfernung.
Kein Ton vom TV.	Stellen Sie sicher, dass das Sound-System an das TV über die HDMI-ARC Buchse des TVs angeschlossen ist.
	Stellen Sie sicher, dass die T-Link-Funktion am UPPLEVA TV eingeschaltet ist.
Kein Ton vom Soundsystem.	Stellen Sie sicher, dass das Soundsystem ist mit dem Stromquelle.
	Stellen Sie sicher, dass das Soundsystem eingeschaltet ist.
	Achten Sie darauf, dass die Kabel angeschlossen und nicht gebrochen sind.
	Achten Sie darauf, dass der linke und rechte Lautsprecher angeschlossen sind.
	Stellen Sie sicher, dass die Stummschaltung nicht aktiviert oder die Lautstärke auf 0 gesetzt ist.
	Achten Sie darauf, dass die richtige Quelle gewählt ist.
TV-Bildschirm ändert den Eingang und wird schwarz, wenn Das Soundsystem eingeschaltet ist	Stellen Sie sicher, dass Sie in der UPPLEVA TV-Einstellung gewählt haben, ob Sie ein UPPLEVA TV* haben oder nicht, siehe Kapitel 6 Einstellungen/UPPLEVA TV. Only valid for these UPPLEVA TVs: 402-565-98, 802-662-13, 202-565-99, 502-662-19, 802-566-00, 102-662-16, 602-566-01, 002-662-12, 002-565-81, 302-662-15, 602-565-78, 902-662-17.

**Hinweis! Wenn die Probleme die Sie haben, nicht durch die oben genannten Tipps gelöst werden, ziehen Sie den Netzstecker und schließen Sie das Gerät erst nach 1 Minute wieder an. In seltenen Fällen könnte das Soundsystem eine Software-Aktualisierung benötigen. Bitte wenden Sie sich an den Kundendienst von IKEA [www.IKEA.com](http://www.IKEA.com) für weitere Informationen.**

## 9 Glossar

### ARC

Der Audio Return Channel (Audio-Rückkanal) ist eine Technologie, die bei HDMI-Verbindungen von Fernsehgeräten und Soundsystemen zum Einsatz kommt. ARC schickt den Ton des Fernsehgeräts über das HDMI-Kabel an das Soundsystem. Daher muss kein zusätzliches Audio-Kabel angeschlossen werden.

### Digital Audio

Digital Audio ist ein akustisches Signal, das in numerische Werte konvertiert wurde. Digital-Sound kann über mehrere Kanäle übertragen werden. Analoger Sound kann nur über zwei Kanäle übertragen werden.

### Dolby® Digital

Das System, zur Komprimierung digitalen Sounds, das von Dolby Laboratories entwickelt wurde. Es bietet Ihnen Stereoklang (2-Kanal) oder Mehrkanal-Audio.

### HDCP

High-Bandwidth Digital Content Protection. Dies ist eine Spezifikation, die eine sichere Übertragung der digitalen Inhalte zwischen verschiedenen Geräten bereitstellt (um unberechtigtes Copyright zu verhindern.)

### HDMI®

High-Definition Multimedia Interface (HDMI) ist eine digitale Hochgeschwindigkeits-Schnittstelle, die unkomprimierte High-Definition Videos und digitales Mehrkanal-Audio übertragen kann. Sie liefert qualitativ hochwertige Bild- und Tonqualität. HDMI ist voll abwärtskompatibel mit DVI. Wie durch den HDMI-Standard gefordert, ergibt das Anschließen an HDMI- oder DVI-Produkte ohne HDCP (High-Bandwidth Digital Content Protection) keine Video- oder Audio-Ausgabe.

### HDMI-CEC

Durch einen HDMI-Anschluss können Fernsehgerät und Soundsystem über eine einheitliche Systemsteuerung über HDMI-CEC-Signale gesteuert werden. Mit nur einer Fernbedienung werden die Funktionen beider Geräte bedient.

Dies umfasst z. B. eine kombinierte Lautstärkensteuerung, automatische Wahl der Eingangsquelle, automatisches Ein- und Ausschalten der Stromversorgung für Fernsehgerät und Soundsystem oder das Wechseln der TV-Kanäle.

### PCM

Pulse Code Modulation. Ein digitales Audiokodierungs-System.

## 10 Kontakt IKEA

Wenn Sie Fragen zu Ihrem neuen UPPEVA TV oder Soundsystem haben oder Service oder Support benötigen, kontaktieren Sie den IKEA Kundenservice unter [www.IKEA.com](http://www.IKEA.com).

Um sicherzustellen, dass wir Ihnen die bestmögliche Unterstützung geben können, lesen Sie bitte die Bedienungsanleitung sorgfältig, bevor Sie uns kontaktieren. Bitte haben Sie die Artikelnummer Ihres Einkaufs vorliegen, wenn Sie anrufen. Sie finden die 8-stellige Artikelnummer auf Ihrer Quittung oder auf der Rückseite Ihres UPPEVA TV oder Soundsystems.

## 11 KONFORMITÄTSERKLÄRUNG ÜBERSETZUNG

Das Produkt entspricht den Bestimmungen für eine CE-Kennzeichnung gemäß der/den folgenden Richtlinie(n):

- Niederspannungsrichtlinie 2006/95/EG
- EMV-Richtlinie 2004/108/EG
- RoHS-Richtlinie 2011/65/EU
- Ökodesign-Richtlinie 2009/125/EG
- R&TTE-Richtlinie 1999/5/EG

<b>Gerätetyp:</b>	Soundsystem
<b>Markenname oder Warenzeichen:</b>	IKEA
<b>Typenbezeichnung:</b>	Soundbar: MFE, MFC Drahtloser Subwoofer: SFE, SFC
<b>Hersteller:</b>	IKEA of Sweden AB
<b>Adresse:</b>	Box 702, SE-343 81 Älmhult SWEDEN
<b>Telefon-Nr.:</b>	+46(0)476-81000

Die folgenden harmonisierten europäischen Standards oder technischen Spezifikationen, die dem in der EWR-Vereinbarung geltenden Stand der Sicherheitstechnik entsprechen, wurden angewandt.

### Sicherheit

EN 60065: 2002 (Siebte Ausgabe) + A1: 2006 + A11: 2008 + A2: 2010 + A12: 2011

### EMV

EN61000-3-2:2006+A1:2009+A2:2009  
 EN61000-3-3:2008  
 EN62479:2010  
 EN55013:2001+A1:2003+A2:2006  
 EN55020:2007+A11:2011

### R&TTE

ETSI EN300 328 V1.8.1: 2012  
 ETSI EN300440-1 V1.6.1:2010  
 ETSI EN300440-2 V1.4.1:2010  
 ETSI EN301489-1 V1.9.2:2011  
 ETSI EN301489-17 V2.2.1:2012  
 ETSI EN301489-3 V1.4.1:2002

### Warenwirtschaftssystem

Verordnung 642/2009

### Zusatzinformationen

Das Produkt wurde 2014 CE-gekennzeichnet.  
 Die Produktkontrolle erfolgte gemäß der IKEA Produktbeschreibung.

Als Hersteller/Bevollmächtigter des Herstellers, der innerhalb des Europäischen Wirtschaftsraums tätig ist, erklären wir in alleiniger Verantwortung, dass das Gerät den Bestimmungen der oben genannten Richtlinien entspricht.

Datum: 18.08.2014

**Table des matières**

<b>1 Important</b> .....	<b>39</b>
Sécurité et recommandations importantes .....	39
Élimination de votre ancien produit et des batteries .....	39
Remarque sur les droits de propriété .....	40
Remarque sur la marque déposée .....	40
<b>2 Aperçu du produit</b> .....	<b>41</b>
Barre se système de sonorisation .....	41
Panneau arrière .....	42
Télécommande .....	43
Caisson de grave .....	44
<b>3 Préparation</b> .....	<b>45</b>
Préparer la télécommande .....	45
<b>4 Connexions</b> .....	<b>46</b>
Connexion de l'enceinte droite .....	46
Connecter à un téléviseur .....	46
Connexion à une sortie ou à un dispositif analogique .....	46
Connexion à un appareil multimédia .....	46
Coupler le caisson de graves .....	47
<b>5 Utilisation de votre système de sonorisation</b> .....	<b>48</b>
TV .....	48
Radio FM .....	48
Bluetooth .....	48
Choix du mode de sonorisation .....	49
<b>6 Paramètres</b> .....	<b>50</b>
Réglages du son .....	50
Luminosité du panneau d'affichage .....	50
Changer l'heure de veille .....	50
UPPLEVA TV .....	50
Réinitialisation des paramètres par défaut .....	50
<b>7 Spécifications</b> .....	<b>51</b>
<b>8 Résolution des problèmes</b> .....	<b>52</b>
<b>9 Glossaire</b> .....	<b>53</b>
<b>10 Contact IKEA</b> .....	<b>53</b>
<b>11 DÉCLARATION DE CONFORMITÉ TRADUCTION</b> .....	<b>54</b>

## 1 Important

### Sécurité et recommandations importantes

Avertissement :

- Risque de surchauffe ! N'installez jamais dans un espace confiné. Laissez toujours un espace d'au moins 5 mm autour du produit pour la ventilation. Assurez-vous que les rideaux ou d'autres objets ne couvrent pas les trous de ventilation sur le produit.
- Ne placez jamais le produit, la télécommande ou les piles à proximité de flammes ou autres sources de chaleur, y compris la lumière directe du soleil.
- N'utilisez ce produit qu'en intérieur. L'appareil ne doit pas être exposé aux gouttes ou aux éclaboussures et les objets remplis de liquides, tels que des vases, ne doivent pas être placés près de l'appareil.
- Ne placez jamais l'appareil sur un autre équipement électrique.
- Lorsque l'alimentation principale ou un appareil de raccordement sert de sectionneur, le sectionneur doit toujours rester en état de marche.
- La batterie (batterie ou piles ou bloc piles) ne doit pas être exposée à une chaleur excessive telle que la lumière du soleil, le feu ou autres.

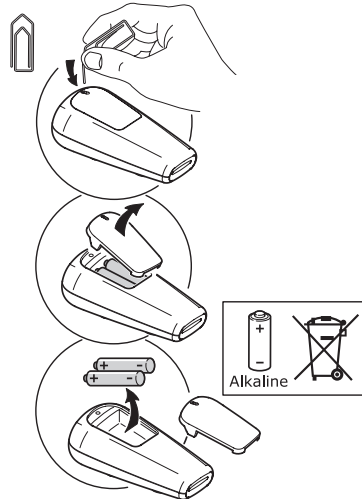
Le produit et les accessoires fournis sont marqués « CE » et sont donc conformes aux normes applicables européennes harmonisées : la directive basse tension 2006/95/EC, la directive EMC 2004/108/ EC, la directive ERP 2009/125/EC.



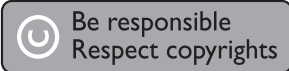
### Élimination de votre ancien produit et des batteries



Le symbole de poubelle à roue barrée indique que cet objet doit être jeté séparément des déchets domestiques. L'objet doit être remis au recyclage conformément aux réglementations locales concernant l'élimination des déchets. En séparant un objet marqué des déchets ménagers, vous aidez à réduire le volume de déchets envoyés aux incinérateurs et aux décharges et minimisez l'impact négatif potentiel sur la santé humaine et sur l'environnement. Pour plus d'informations, veuillez contacter votre magasin IKEA.



### Remarque sur les droits de propriété



Ce produit comporte une technologie de protection de la propriété intellectuelle, protégé par les lois des États-Unis sur les brevets et autres droit de propriété intellectuelle de Rovi Corporation. La retro-ingénierie et le désassemblage sont interdits.

### Remarque sur la marque déposée



HDMI, le logo HDMI et High-Definition Multimedia Interface sont des marques ou des marques déposées de HDMI Licensing LLC aux USA et dans d'autres pays.



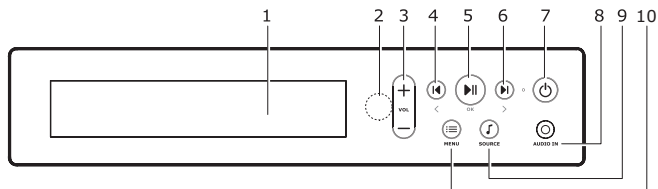
Dolby et le symbole double D sont des marques déposées des Laboratoires Dolby.



Le mot Bluetooth® ainsi que les marques et logo sont des marques commerciale déposées détenues par Bluetooth SIG, Inc. et l'utilisation de ces marques par IKEA se fait dans le cadre d'une autorisation. Les autres marques et noms commerciaux sont les propriétés de leurs titulaires respectifs.

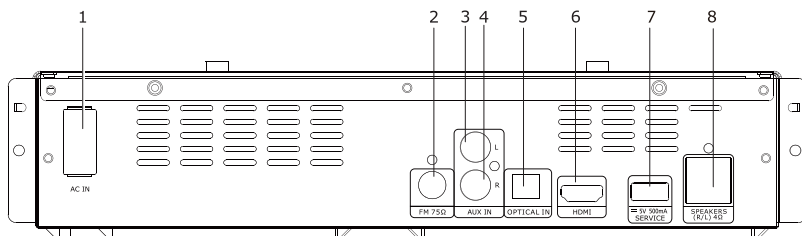
## 2 Aperçu du produit

### Barre se système de sonorisation



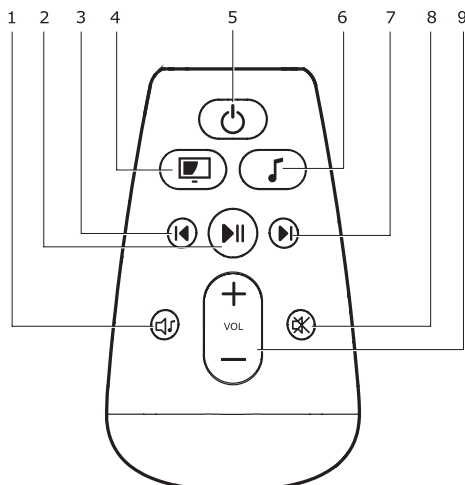
No.	Touche de contrôle	Fonction
1	Panneau d'affichage	Affiche des informations sur ce que le système de sonorisation est en train de jouer.
2	Capteur IR	Pointez la télécommande en direction du capteur IR (InfraRouge)
3	VOL +  VOL -	Augmente le volume. Appuyez une fois pour augmenter le volume d'un incrément. Tenez appuyé pour continuer à augmenter le volume.  Baisse le volume. Appuyez une fois pour diminuer le volume d'un incrément. Tenez appuyé pour continuer à diminuer le volume.
4	◀  <	Passé à la piste ou au canal FM précédent.  Navigue en arrière dans le Menu.
5	▶    OK	Lecture/Pause.  Appuyez sur OK dans le menu.
6	▶   >	Passé à la piste ou au canal FM suivant.  Navigue en avant dans le Menu.
7	⏻	Appuyez pour allumer ou éteindre l'unité.
8	ENTRÉE AUDIO	Pour la connexion d'un appareil de lecture audio, par exemple un lecteur MP3 ou un lecteur CD.
9	SOURCE	Appuyez pour changer la source.
10	MENU	Appuyez pour entrer dans/quitter le Menu et les paramètres.

## Panneau arrière



No.	Touche de contrôle	Fonction
1	AC IN	Permet de connecter le cordon d'alimentation.
2	FM 75Ω	Permet de connecter l'antenne pour la réception radio.
3	AUX IN L	Permet de connecter le canal gauche d'un appareil analogique, par exemple un lecteur CD, sur votre système de sonorisation UPPLEVA.
4	AUX IN R	Permet de connecter le canal droite d'un appareil analogique, par exemple un lecteur CD, sur votre système de sonorisation UPPLEVA.
5	OPTICAL IN	Permet de connecter sur une sortie audio optique d'un téléviseur ou d'un appareil numérique.
6	HDMI	Permet de connecter sur l'entrée HDMI-ARC sur le téléviseur.
7	SERVICE	Permet de connecter une clé USB pour la mise à jour logicielle.
8	SPEAKERS (R/L) 4Ω	Permet de connecter à l'enceinte droite du système UPPLEVA.

## Télécommande

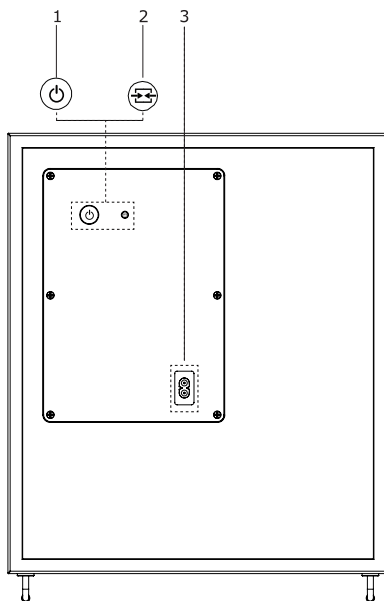




No.	Touches de contrôle	Fonction
1	🔊	Change entre les différents modes d'écoute.
2	▶	Lecture/Pause avec équipements Bluetooth connectés.
3	◀	Passe à la piste ou au canal FM / chaîne TV précédent.*
4	📺	Allume votre TV: si la TV est allumée, cela change la source du téléviseur.*
5	⏻	Allumer ou éteindre Allume ou éteint le système et la TV.*
6	🎵	Touche source. Allume le système de sonorisation. Si le système de sonorisation est allumé, cela change la source du système.
7	▶	Passe à la piste ou au canal FM / chaîne TV suivant.*
8	🔇	Coupe ou réactive le son du système.
9	+ VOL -	Augmente ou diminue le volume.

\*L'utilisation de ces fonctions n'est garantie qu'avec ces Téléviseurs (mentionnés dans les numéros d'article) UPPLEVA:

402-565-98, 802-662-13, 202-565-99, 502-662-19, 802-566-00, 102-662-16, 602-566-01, 002-662-12, 002-565-81, 302-662-15, 602-565-78, 902-662-17.

## Caisson de grave

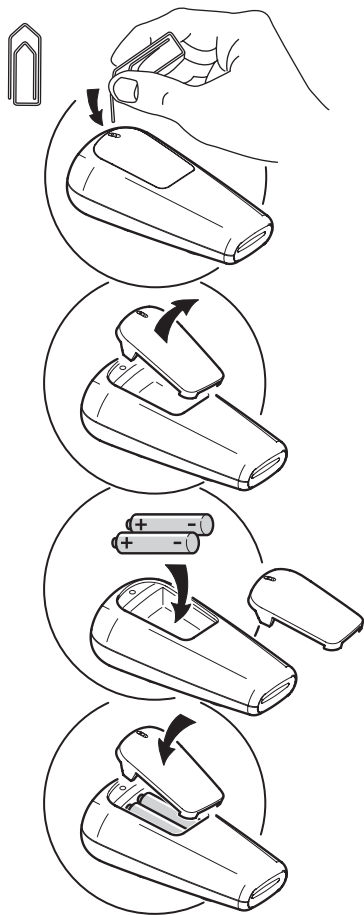


No.	Touches de contrôle	Fonction
1		Allumer ou éteindre. Allume ou éteint le caisson de graves.
2		Permet de coupler le caisson de graves avec la barre d'enceinte.
3	AC IN	Permet de connecter le cordon d'alimentation.

### 3 Préparation

#### Préparer la télécommande

Insérez deux piles LR03 (AAA) avec la polarité correcte (+/-) comme indiqué dans la télécommande.



#### Remarque :

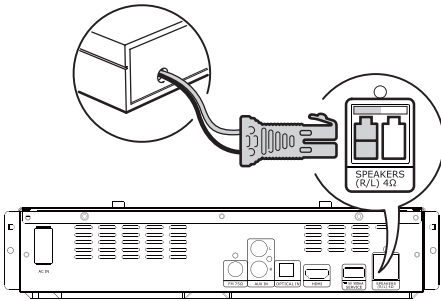
- Si vous n'utilisez pas la télécommande pendant longtemps, enlevez les piles.
- Ne combinez pas les piles neuves et anciennes ou les piles de types différents.
- Tenez les piles hors de portée de la chaleur / du soleil ou du feu.

#### 4 Connexions

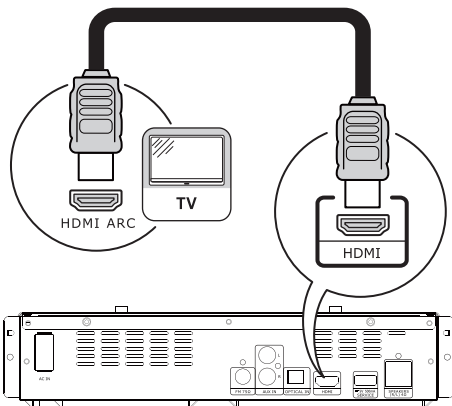
Connectez votre système sonore de ces manières.

##### Connexion de l'enceinte droite

Connectez le câble d'enceinte rouge de l'enceinte droite sur la prise SPEAKERS (R/L) 4Ω rouge à l'arrière de la barre d'enceinte.



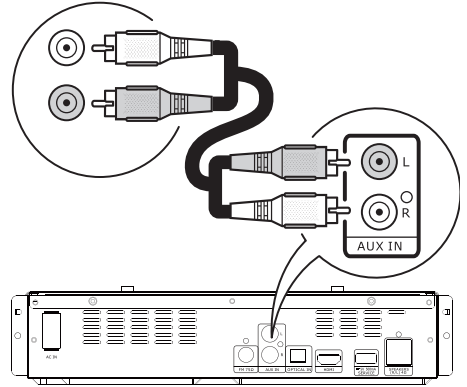
##### Connecter à un téléviseur



Connectez le système sonore sur un téléviseur UPPELEVA à l'aide d'un câble HDMI et de la prise HDMI ARC sur le téléviseur. Si vous souhaitez connecter le système de sonorisation sur un autre téléviseur, nous recommandons d'utiliser les prises HDMI ARC ou OPTICAL. Après la connexion, appuyez sur la touche SOURCE sur la télécommande pour entrer en mode TV.

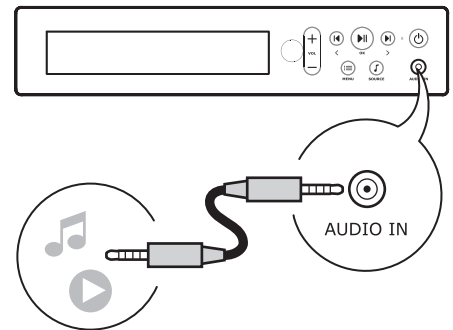
##### Connexion à une sortie ou à un dispositif analogique

Connexion à une sortie audio analogique sur le téléviseur ou sur un autre appareil, ou sur un appareil analogique.



Connectez le câble audio depuis les prises AUX IN sur le système de sonorisation sur les prises AUDIO OUT sur le téléviseur ou tout autre appareil. Après la connexion, appuyez sur la touche SOURCE (🎵) sur la télécommande pour entrer en mode auxiliaire.

##### Connexion à un appareil multimédia



Connectez un appareil audio portable, par exemple un lecteur audio MP3 ou un lecteur CD, sur la prise AUDIO IN. Après la connexion, appuyez sur la touche SOURCE sur la télécommande pour entrer en mode entrée auxiliaire.

### **Coupler le caisson de graves**

Le caisson de graves est déjà couplé pour une connexion sans fil automatique avec les barres d'enceintes lors de l'achat du système de sonorisation. Le couplage n'est nécessaire que rarement, lorsque la connexion se perd. Pour coupler le caisson de grave avec les barres d'enceinte, suivez ces étapes.

1. Assurez-vous que les barres d'enceintes et le caisson de grave soient allumés. L'indicateur du caisson de graves clignotera lentement.
2. Appuyez sur la touche Pairing à l'arrière du caisson de graves pendant 6 secondes environ. L'indicateur à l'avant du caisson de graves commence à clignoter plus rapidement.
3. Entrez dans le MENU du système de sonorisation et choisissez PAIR. Le panneau d'affichage de la barre d'enceinte affichera le message « Pairing ». Lorsque le couplage sera terminé, l'indicateur sur le caisson de grave sera allumé en permanence.

Appuyez sur la touche power sur le caisson de graves pour l'éteindre temporairement. L'indicateur à l'avant du caisson de graves s'éteindra.

## 5 Utilisation de votre système de sonorisation

Ce chapitre vous aide à utiliser votre système de sonorisation pour lire des contenus multimédias depuis une grande variété de sources. Assurez-vous que les connexions nécessaires soient faites avant de démarrer.

### TV

Si votre téléviseur a une prise HDMI ARC, le système de sonorisation peut diffuser les sons du téléviseur. Pour faire cela, appuyez sur la touche source du système de sonorisation sur la télécommande jusqu'à ce que TV soit sélectionné.

### Radio FM

Pour chercher et enregistrer vos stations de radio favorites, suivez ces étapes.

1. Installez l'antenne FM à un endroit approprié puis connectez-la à la prise d'entrée. Appuyez sur la touche SOURCE sur la barre du système de sonorisation, positionnez sur FM.
2. Appuyez sur MENU sur la barre du système de sonorisation pour entrer dans le menu d'options. Utilisez </> pour choisir FM INSTALL et appuyez sur OK. Les stations disponibles sont sauvegardées automatiquement. Appuyez sur MENU sur la barre du système de sonorisation pour sauvegarder les canaux. Utilisez les touches ◀, ▶ pour circuler entre les stations.

Pour régler les stations manuellement, suivez ces étapes.

1. Appuyez sur la touche SOURCE sur la barre du système de sonorisation, positionnez sur FM.
2. Appuyez sur MENU sur la barre du système de sonorisation pour entrer dans le menu d'options. Utilisez </> pour choisir FM MANUAL TUNE et appuyez sur OK. Utilisation de </> pour régler en précision les fréquences par incrément de 0,05MHz. Appuyez sur OK pour sauvegarder la nouvelle fréquence. Sélectionnez un nouveau numéro de station à l'aide de </> puis appuyez sur OK.

Pour effacer les stations, suivez ces étapes.

1. Appuyez sur la touche SOURCE sur la barre du système de sonorisation, positionnez sur FM. Utilisation de </> pour sélectionner la station à supprimer.
2. Appuyez sur MENU sur la barre du système de sonorisation pour entrer dans le menu d'options. Utilisez </> pour choisir FM DELETE et appuyez sur OK. Appuyez sur MENU pour retourner sur FM.

Pour choisir votre mode d'affichage préféré sur le panneau d'affichage du système de sonorisation, suivez ces étapes.

1. Appuyez sur la touche SOURCE sur la barre du système de sonorisation, positionnez sur FM.
2. Appuyez sur MENU sur la barre du système de sonorisation pour entrer dans le menu d'options. Utilisez </> pour choisir INFO et appuyez sur OK. Utilisez </> pour sélectionner votre mode d'affichage préféré et appuyez sur OK pour confirmer.
  - INFO<FREQ> affichera la fréquence du canal.
  - INFO<RDS> affichera le texte du Radio Data System (lorsque disponible).
  - INFO<RADIO-TEXT> affichera le texte de la radio (lorsque disponible).

### Bluetooth

Tous les téléphones, tablettes et autres appareils multimédia avec fonction Bluetooth sont compatibles avec le système de sonorisation UPPLEVA\*. Une fois que votre appareil multimédia est couplé avec le système de sonorisation, il se connectera automatiquement lorsque BLUETOOTH sera de nouveau choisi comme source. Le système de sonorisation peut être couplé avec 8 appareils mais il ne sera visible que sur le premier appareil connecté. Suivez ces étapes pour coupler, utiliser et déconnecter le Bluetooth.

Pour coupler un appareil multimédia

1. Appuyez sur la touche source du système de sonorisation sur la télécommande et positionnez sur BLUETOOTH Si aucun appareil n'est connecté, le panneau d'affichage affichera Bluetooth Wait.
2. Activez la fonctionnalité Bluetooth sur votre appareil multimédia. Connectez le système de sonorisation en le connectant sur « UPPLEVA ». Une fois connecté, le panneau d'affichage affichera Bluetooth Ready.
3. Utilisez les touches ◀, ▶, ▶▶ et + VOL -> pour contrôler la lecture de musique.

Pour choisir votre mode d'affichage préféré sur le panneau d'affichage.

1. Appuyez sur la touche SOURCE sur la barre du système de sonorisation, positionnez sur BLUETOOTH.
2. Appuyez sur MENU sur la barre du système de sonorisation pour entrer dans le menu d'options. Utilisez </> pour choisir INFO et appuyez sur OK. Utilisez </> pour sélectionner votre mode d'affichage préféré et appuyez sur OK pour confirmer. Appuyez sur menu pour terminer.
  - ID3 affichera le titre sur la ligne supérieure et l'artiste et l'album sur la ligne inférieure.

- TIME affichera le texte BLUETOOTH sur la ligne supérieure et l'heure sur la ligne inférieure.

\* Dans la mesure où il est compatible avec Bluetooth v2.1+EDR ou supérieur.

Pour découpler un appareil multimédia.


1. Appuyez sur la touche SOURCE sur la barre du système de sonorisation, positionnez sur BLUETOOTH.
2. Appuyez sur MENU sur la barre du système de sonorisation pour entrer dans le menu d'options. Utilisez les touches </> et OK pour choisir FORCE UNLINK.

*Remarque : FORCE UNLINK est nécessaire si vous avez raccordé le système audio à plus de 8 appareils différents.*

Pour déconnecter un appareil multimédia.


Éteignez le Bluetooth sur votre appareil Bluetooth ou découpez simplement avec UPPLEVA pour déconnecter.

### **Choix du mode de sonorisation**

Vous pouvez choisir entre différents modes de sonorisation pour améliorer l'expérience sonore. Appuyez sur  sur la télécommande pour choisir entre les modes Standard, Music, News, Movies et Personal. L'effet de sonorisation est complètement audible au bout de quelques secondes.

Configuration du mode personnel

Dans le mode personnel, vous pouvez choisir les niveaux de graves et d'aigües et le mode stéréo en fonction de vos préférences. Suivez ces étapes pour régler votre mode personnel.

1. Appuyez sur  sur la télécommande et positionnez-vous sur le mode Personal.
2. Niveau de graves : Appuyez sur MENU sur la barre du système de sonorisation pour entrer dans le menu d'options. Utilisez </> pour choisir BASS et appuyez sur OK. Utilisez </> pour choisir sur une échelle de -8 à 8 et appuyez sur OK pour confirmer. Appuyez sur MENU pour terminer. Plus fort sera le niveau choisi, plus forts seront les sons graves.
3. Niveau des aigües : Appuyez sur la touche MENU sur la barre d'enceinte du système de sonorisation pour entrer dans le menu d'options.

Utilisez </> pour choisir TREBLE et appuyez sur OK. Utilisez </> pour choisir sur une échelle de -6 à 6 et appuyez sur OK pour confirmer. Plus fort sera le niveau choisi, plus forts seront les sons aigües.

## 6 Paramètres

### Réglages du son

Pour obtenir un effet sonore surround, vous pouvez allumer le mode WIDE:

1. Appuyez sur MENU sur la barre du système de sonorisation pour entrer dans le menu d'options. Utilisez </> pour choisir WIDE et appuyez sur OK. Utilisez la touche > pour positionner sur On et appuyez sur OK pour confirmer. Appuyez sur MENU pour terminer.

Le niveau de graves du caisson de graves peut être réglé selon vos préférences.

1. Appuyez sur MENU sur la barre du système de sonorisation pour entrer dans le menu d'options. Use </> Utilisez </> pour choisir SUB et appuyez sur OK. Utilisez </> pour choisir sur une échelle de -9 à 0 et appuyez sur OK pour confirmer. Appuyez sur MENU pour terminer. Plus forte sera la valeur, plus fortes seront les graves.

### Luminosité du panneau d'affichage

La luminosité du panneau d'affichage peut être réglée en fonction de différents environnements ou préférences. Suivez ces étapes pour changer la luminosité.

1. Appuyez sur MENU sur la barre du système de sonorisation pour entrer dans le menu d'options. Utilisez </> pour choisir BRIGHTNESS et appuyez sur OK.  
2. Utilisez les touches </> pour choisir *Off*, *Low*, *AUTO* ou *High* et appuyez sur OK pour confirmer. Appuyez sur MENU pour terminer. Les paramètres High et Low donneront respectivement une luminosité forte ou faible du panneau d'affichage alors que le paramètre Auto estompera la luminosité après 15 secondes sans action. Le réglage sur Off supprime tout affichage pour un aspect plus lisible. L'indicateur du volume reste visible. Toute opération déclenche un affichage des informations d'une durée de 15 secondes.

### Changer l'heure de veille

Pour économiser l'énergie, le système de sonorisation passera en mode veille automatiquement si aucun son n'est diffusé. Suivez ces étapes pour régler l'heure avant que le système ne passe en veille. Sélectionnez OFF pour éviter que le système ne se mette seul en mode de veille.  
1. Appuyez sur MENU sur la barre du système de sonorisation pour entrer dans le menu d'options. Utilisez </> pour choisir AUTO STANBY et appuyez sur OK.

2. Utilisez </> pour choisir votre temps préféré et appuyez sur OK pour confirmer. Appuyez sur MENU pour terminer.

### UPPLEVA TV

Nous vous recommandons d'effectuer les réglages suivants si vous avez un autre téléviseur (pas un UPPEVA\*) connecté par HDMI sur le système de sonorisation UPPEVA. Le réglage permet de faire fonction in the best possible way together.

Suivez ces étapes pour le régler.

1. Appuyez sur la touche MENU sur la barre du système de sonorisation et appuyez sur OK.  
2. Choisissez No si vous n'avez pas un téléviseur UPPEVA\*.  
Le réglage « No » empêchera le système de sonorisation d'être forcé comme source active sur votre TV lorsqu'il est allumé. Le réglage « Yes » doit être utilisé dans le cas d'un téléviseur UPPEVA\*.

Vous pouvez changer le réglage de nouveau si vous souhaitez utiliser le système de sonorisation UPPEVA avec un téléviseur UPPEVA\* par la suite.

Suivez ces étapes pour le régler.

1. Appuyez sur la touche MENU sur la barre du système de sonorisation et appuyez sur OK.  
2. Choisissez Yes si vous avez un téléviseur UPPEVA\*.

\*Ne convient que pour les Téléviseurs (mentionnés dans les numéros d'article) UPPEVA suivants:

402-565-98, 802-662-13, 202-565-99, 502-662-19, 802-566-00, 102-662-16, 602-566-01, 002-662-12, 002-565-81, 302-662-15, 602-565-78, 902-662-17.

### Réinitialisation des paramètres par défaut

Suivez ces étapes pour réinitialiser les paramètres par défaut du système de sonorisation.

1. Appuyez sur MENU sur la barre du système de sonorisation pour entrer dans le menu d'options. Utilisez </> pour choisir RESET et appuyez sur OK. Le texte Warning s'affichera sur le panneau d'affichage. Appuyez sur OK.  
2. Utilisez </> pour choisir Yes ou No. Yes réinitialisera les paramètres par défaut du système de sonorisation etNo permettra de revenir au menu d'options.

## 7 Spécifications

### Fonctions principales

- Tuner FM / Bluetooth / Audio in / Aux in / Optical in / HDMI
- Enceintes : 2.1 (stéréo + caisson de basses)
- Commande HDMI : HDMI CEC 1.4, ARC, system Audio control, Remote Pass Through, OneTouchStandby, One touch play
- Fonctions FM : RDS, Radio-text (PS, RT)
- Contrôle son : 5 modes, basses et aigus
- Surround : Virtual Surround
- Mise en veille automatique

### Connexions audio

- HDMI + CEC/ARC
- Digital in : optique
- AUX in L/R : cinch
- Front audio in : 3,5 mm
- Antenne FM : 75 ohm

### Formats audio pris en charge

- Dolby digital / PCM
- Fréquence d'échantillonnage : 32kHz / 44,1kHz / 48kHz

### Bluetooth

- Compatibilité : 2.1 +EDR ou supérieur
- Codec support : SBC, A2DP 1.2, AVRCP 1.4
- Auto pairing : jusqu'à 8 appareils
- Auto A2DP connect
- ID3 tag display : titre/artiste/album
- Player control : Play/pause, Next/previous, Ffwd/Frew

### Réparation

- Le port SERVICE USB ne sert que pour la mise à jour du logiciel.

*Remarque:*

*Ne coupez pas l'alimentation et ne retirez pas l'appareil USB lors de la mise à jour du logiciel.*

### Unité principale

- Tension d'alimentation: 220-240V 50/60Hz
- Consommation électrique en mode veille : <0,5W
- Consommation électrique nominale de la barre de son : 30W
- Consommation électrique nominale du caisson de grave : 20W
- Consommation énergétique du caisson de grave en mode veille : <0,5W
- Consommation en mode veille du caisson de basses en réseau : <2,0 W
- Température d'utilisation : 5°C à 35°C
- Taux d'humidité d'utilisation: inférieur à 80% (pas de condensation)

### Amplificateur

- Puissance totale : 100W RMS (1% THD)
- Réponse en fréquence : 40 Hz - 20 kHz
- Sensibilité d'entrée : ENTRÉE AUXILIAIRE (AUX IN) : 2 V  
ENTRÉE AUDIO : 1 V

### Radio

- Plage de fréquence: FM 87.5-108 MHz (50 kHz)
- Rapport signal sur bruit: FM 50 dB

## 8 Résolution des problèmes

Si vous rencontrez des problèmes pendant l'utilisation de cet appareil, vérifiez la liste ci-dessous. Si vous rencontrez encore des problèmes avec votre système de sonorisation UPPLEVA, veuillez contacter le centre d'assistance d'IKEA à [www.IKEA.com](http://www.IKEA.com).

Problème	Astuce
Pas de réaction à la télécommande.	Assurez-vous que la télécommande soit pointée vers le système de sonorisation.
	Assurez-vous que les piles soient correctement installées.
	Vérifiez si les piles sont vides et s'il ne faut pas en installer de neuves.
Réception FM faible	Assurez-vous que l'antenne FM est connectée et installée correctement. Autrement, utilisez une antenne FM d'extérieur, ou utilisez une connexion câble FM.
Le Bluetooth ne peut être utilisé.	Assurez-vous que votre téléphone ou d'autres appareils multimédia sont compatibles avec le Bluetooth.
	Assurez-vous de bien connecter sur le bon appareil IKEA appelé UPPLEVA.
	Assurez-vous que votre téléphone, tablette ou autre appareil multimédia sont couplés et que leur fonction Bluetooth est activée.
	Assurez-vous qu'aucun autre appareil Bluetooth dans la pièce n'est couplé. Si un autre appareil Bluetooth est couplé, éteignez la fonction Bluetooth de cet appareil.
Mauvaise qualité sonore lors de la lecture par Bluetooth.	La réception Bluetooth est faible Déplacez l'appareil plus près du système de sonorisation ou enlevez tous les obstacles entre l'appareil et le système. Remarque: La réception Bluetooth fonctionnera normalement à une distance jusqu'à 6-8 mètres sans obstacle. Lorsque des objets, des meubles ou des murs sont sur le passage, la distance est réduite. Par ailleurs, lorsque l'appareil est placé dans des poches de vêtement ou dans un sac, la distance peut être réduite.
Pas de son du téléviseur.	Assurez-vous que le système de sonorisation est connecté sur le téléviseur par la prise HDMI ARC de votre téléviseur.
	Assurez-vous que la fonction T-link de votre téléviseur UPPLEVA est activée.
Pas de son du système.	Assurez-vous que le système est connecté sur la source d'alimentation.
	Assurez-vous que le système est allumée.
	Assurez-vous que les câbles sont connectés et ne sont pas cassés.
	Assurez-vous que les enceintes droites et gauches sont connectées.
	Assurez-vous que la fonction Mute n'est pas activée ou que le volume n'est pas réglé sur 0.
Assurez-vous que la source correcte est sélectionnée.	
L'écran du téléviseur change de source d'entrée et passe au noir lorsque le système de sonorisation est allumé	Assurez-vous d'avoir choisi si vous avez un téléviseur UPPLEVA ou non dans les paramètres UPPLEVA TV, voyez le chapitre 6 Paramètres / UPPLEVA TV. Ne convient que pour les téléviseurs UPPLEVA suivants: 402-565-98, 802-662-13, 202-565-99, 502-662-19, 802-566-00, 102-662-16, 602-566-01, 002-662-12, 002-565-81, 302-662-15, 602-565-78, 902-662-17.

**Remarque ! Si les problèmes que vous rencontrez n'ont pu être résolus par les conseils donnés plus haut, débranchez le câble d'alimentation pendant 1 minute avant de le rebrancher. En de rares occasions le système audio peut nécessiter une mise à jour de logiciel. Veuillez alors contacter le Service Clientèle IKEA. Voir [www.IKEA.com](http://www.IKEA.com) pour plus d'informations.**

## 9 Glossaire

### ARC

L'Audio Return Channel (canal de retour audio) est une technologie utilisée pour les connexions HDMI entre un téléviseur et un système audio. L'ARC transmet les signaux audio du téléviseur vers le système audio au travers du câble HDMI. Ceci évite d'avoir à installer un câble audio supplémentaire.

### Audio numérique

Digital Audio est un signal sonore qui a été converti en valeurs numériques. Le son numérique peut être transmis par divers canaux. Le son analogique ne peut être transmis que par deux canaux.

### Dolby® Digital

Système permettant de compresser le son numérique développé par les Laboratoires Dolby. Il vous procure un son stéréo (2 canaux) ou multicanaux.

### HDCP

High-bandwidth Digital Content Protection. (Protection de contenu numérique à forte bande passante) Il s'agit d'une spécification permettant une transmission de contenus numériques sécurisée entre différents appareils (pour empêcher les enfreintes aux droits d'auteur.)

### HDMI®

High-Definition Multimedia Interface (HDMI) (Interface multimédia haute définition) est une interface numérique haut débit pouvant transmettre des contenus vidéo et sonores multicanaux numérique non compressés. Cela procure une image de haute qualité, et un son de qualité. Le HDMI est complètement compatible avec le DVI. Comme exigé par le standard HDMI, la connexion avec des produits HDMI ou DVI sans HDCP (High-bandwidth Digital Content Protection) aboutira à une absence de sortie vidéo ou audio.

### HDMI-CEC

La connexion HDMI permet une commande unifiée entre le téléviseur et le système audio via les signaux HDMI-CEC. Vous pouvez utiliser une seule télécommande pour activer des fonctions sur n'importe lequel de vos appareils connectés. Ceci comprend par exemple la commande du volume du son, la sélection automatique de la source, la possibilité d'allumer et d'éteindre automatiquement le téléviseur et le système audio, ou le changement de chaînes.

### MP3

Un format de fichier avec un système de compression des données sonores. MP3 est une abréviation pour « Motion Picture Experts Group 1 (or MPEG-1) Audio Layer 3 ». Avec le format MP3, un CD-Rou ou un CD-RW peut contenir environ 10 fois plus de données qu'un CD normal.

### PCM

Pulse Code Modulation. Un système d'encodage audio numérique.

## 10 Contacter IKEA

Si vous avez des questions à propos de votre nouveau téléviseur ou système audio UPPELVA, si vous avez besoin de réparation ou d'assistance, contactez le Service clientèle IKEA, voir [www.IKEA.com](http://www.IKEA.com)

Pour être sûr de bénéficier de la meilleure assistance possible, veuillez attentivement lire le manuel avant de nous contacter. Et gardez le numéro d'article de votre achat à portée de main lorsque vous appelez. Vous trouverez un numéro d'article à 8 chiffres sur votre ticket de caisse ou à l'arrière de votre téléviseur ou système audio UPPELVA.

## 11 DÉCLARATION DE CONFORMITÉ TRADUCTION

Ce produit est conforme aux exigences du marquage CE selon les directives suivantes :

- Directive sur la basse tension (LVD) 2006/95/EC
- Directive sur la compatibilité électronique (EMC) 2004/108/EC
- Directive sur la limitation des substances dangereuses dans les équipements électriques et électroniques (RoHS) 2011/65/EU
- Directive sur les produits liés à l'énergie (ErP) 2009/125/EC
- Directive sur les équipements radioélectriques et des équipements terminaux de télécommunications (R&TTE) 1999/5/EC

<b>Type d'équipement :</b>	Système audio
<b>Nom de marque ou marque :</b>	IKEA
<b>Modèles :</b>	Barre de son Caisson de basses sans fil
<b>Fabricant :</b>	IKEA of Sweden AB
<b>Adresse :</b>	Box 702, SE-343 81 Älmhult, SWEDEN
<b>N° de téléphone :</b>	+46(0)476-81000

Sont respectées les normes européennes harmonisées ou spécifications techniques suivantes, conformes à une bonne pratique technique en matière de sécurité dans l'Espace économique européen.

### Sécurité

EN 60065: 2002 (septième édition) + A1:2006 + A11:2008 + A2:2010 + A12:2011

### EMC

EN61000-3-2:2006+A1:2009+A2:2009

EN61000-3-3:2008

EN62479:2010

EN55013:2001+A1:2003+A2:2006

EN55020:2007+A11:2011

### R&TTE

ETSI EN300 328 V1.8.1: 2012

ETSI EN300440-1 V1.6.1:2010

ETSI EN300440-2 V1.4.1:2010

ETSI EN301489-1 V1.9.2:2011

ETSI EN301489-17 V2.2.1:2012

ETSI EN301489-3 V1.4.1:2002

### ERP

Règlement 642/2009

Information complémentaire

Ce produit est marqué CE 2014.

Nous disposons d'une surveillance de produit permettant au produit IKEA d'être conforme à sa description.

En tant que représentant autorisé du fabricant/fabricants établi dans l'Espace économique européen, nous déclarons que l'équipement est conforme aux dispositions relatives aux directives mentionnées ci-dessus.

Date 18-08-2014

**Inhoudsopgave**

<b>1</b>	<b>Belangrijk</b> .....	<b>56</b>
	Veiligheid en belangrijke mededeling .....	56
	Weggooiën van het product en de batterijen .....	56
	Copyright .....	57
	Handelsmerken .....	57
<b>2</b>	<b>Productoverzicht</b> .....	<b>58</b>
	Soundbar .....	58
	Achterpaneel .....	59
	Afstandsbediening .....	60
	Subwoofer .....	61
<b>3</b>	<b>Klaarmaken voor gebruik</b> .....	<b>62</b>
	Gereedmaken van de afstandsbediening .....	62
<b>4</b>	<b>Aansluiten</b> .....	<b>63</b>
	Aansluiten van de rechter luidspreker .....	63
	Aansluiten op een TV .....	63
	Aansluiten op een analoge uitvoer of analogo apparaat .....	63
	Aansluiten op een media-apparaat .....	63
	Pairing van de subwoofer .....	64
<b>5</b>	<b>Gebruik van het geluidssysteem</b> .....	<b>65</b>
	TV .....	65
	FM-radio .....	65
	Bluetooth .....	65
	Een geluidsmodus selecteren .....	66
<b>6</b>	<b>Instellingen</b> .....	<b>67</b>
	Geluidsinstellingen .....	67
	Helderheid van de display .....	67
	De stand-by tijd aanpassen .....	67
	UPPLEVA tv .....	67
	Terug naar fabrieksinstellingen .....	67
<b>7</b>	<b>Specificaties</b> .....	<b>68</b>
<b>8</b>	<b>Probleemoplossingen</b> .....	<b>69</b>
<b>9</b>	<b>Verklarende woordenlijst</b> .....	<b>70</b>
<b>10</b>	<b>Contact opnemen met IKEA</b> .....	<b>70</b>
<b>11</b>	<b>CONFORMITEITSVERKLARING VERTALING</b> .....	<b>71</b>

## 1 Belangrijk

### Veiligheid en belangrijke mededeling

#### Waarschuwing:

- Risico op oververhitting. Plaats het product nooit in een te kleine ruimte. Laat altijd minstens 5 mm ruimte om het product vrij voor ventilatie. Let erop dat gordijnen of andere voorwerpen de ventilatieroosters van het product niet afdekken.
- Plaats het product, de afstandsbediening of de batterijen nooit in de directe nabijheid van open vuur of andere warmtebronnen, inclusief direct zonlicht.
- Gebruik dit product alleen binnen. Stel het apparaat niet bloot aan waterdruppels of -spetters en plaats geen voorwerpen gevuld met water, zoals vazen, op het apparaat.
- Plaats het product niet op andere elektronische apparatuur.
- De stekker of stekkerdoos wordt gebruikt om het apparaat los te koppelen van het stroomnet en moet altijd direct toegankelijk zijn.
- Batterijen (accu of batterijen in het product) mogen niet blootgesteld worden aan extreme hitte zoals zonlicht, vuur of een andere warmtebron.

Dit product en de meegeleverde accessoires hebben een CE keurmerk en voldoen zodoende aan de geldende Europese normen: de Low Voltage Directive 2006/95/EC, de EMC Directive 2004/108/EC, the ErP Directive 2009/125/EC.



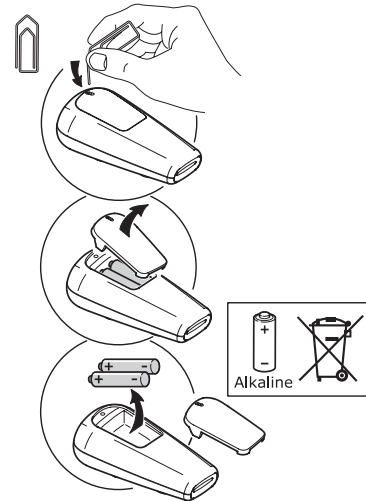
### Weggoien van het product en de batterijen



Het doorgekruisde symbool met wielen geeft aan dat het product niet bij het huishoudelijk afval mag worden weggegooid. Het product moet ingeleverd worden voor recycling in overeenstemming met de lokale milieuvorschriften voor afvalverwijdering.

Door een product met een CE keurmerk te scheiden van huishoudelijk afval belandt er minder afval op de vuilstort en worden de negatieve gevolgen voor de gezondheid en het milieu tot een minimum beperkt.

Neem voor meer informatie contact op met een IKEA bij jou in de buurt.



## Copyright



Be responsible  
Respect copyrights

Dit product heeft technologie voor kopieerbeveiliging die is beschermd door Amerikaanse patenten en andere intellectuele eigendomsrechten van Rovi Corporation. Reverse engineering en demontage zijn niet toegestaan.

## Handelsmerken



HIGH-DEFINITION MULTIMEDIA INTERFACE

HDMI, het HDMI-logo en High-Definition Multimedia Interface zijn handelsmerken of geregistreerde handelsmerken van HDMI Licensing LLC in de Verenigde Staten en andere landen.



DOLBY  
DIGITAL

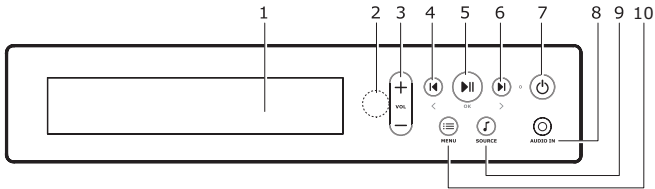
Dolby en het dubbel D-symbool zijn geregistreerde handelsmerken van Dolby Laboratories.



Het woordmerk en de logo's van Bluetooth zijn geregistreerde handelsmerken in bezit van Bluetooth SIG, Inc. IKEA heeft een licentie voor het gebruik van deze merken. Andere handelsmerken en handelsnamen zijn van de desbetreffende eigenaars.

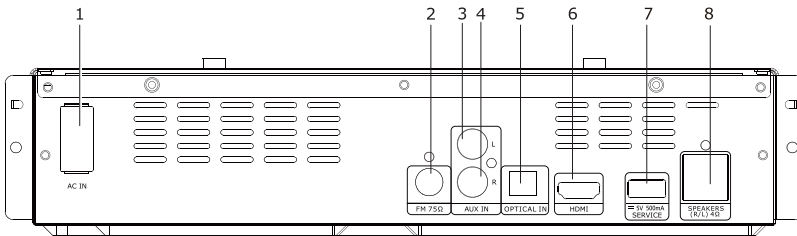
## 2 Productoverzicht

### Soundbar



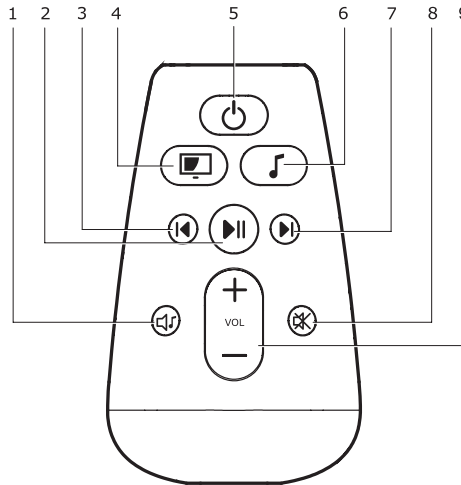
Nr.	Component	Functie
1	Display	Toont gegevens over wat er wordt afgespeeld.
2	IR-sensor	Richt de afstandsbediening op de IR(Infra Red)-sensor.
3	VOL +  VOL -	Voor het verhogen van het volume. Druk één keer om het volume één niveau hoger te zetten. Druk en hou vast om het volume verder te verhogen.  Voor het verlagen van het volume. Druk één keer om het volume één niveau lager te zetten. Druk en hou vast om het volume verder te verlagen.
4	◀  <	Terug naar vorig nummer of vorige FM-zender.  Terugbladeren in Menu.
5	▶    OK	Afspelen/Pauze.  Druk op OK in het Menu.
6	▶   >	Verder naar volgend nummer of FM-zender.  Vooruit bladeren in Menu.
7	⏻	Indrukken om Aan/Uit te zetten.
8	AUDIO IN	Voor het verbinden van een audio-apparaat zoals een mp3-speler of cd-speler.
9	SOURCE	Indrukken om Bron te veranderen.
10	MENU	Indrukken om Menu en Instellingen te openen en te verlaten.

## Achterpaneel



Nr.	Component	Functie
1	AC IN	Voor het aansluiten van de stroomkabel op een stroomvoorziening.
2	FM 75Ω	Voor het aansluiten van de antenne voor FM-ontvangst.
3	AUX IN L	Voor het aansluiten van het linkerkanaal van een analoog apparaat, zoals een cd-speler of een media-player, op het UPPLEVA geluidssysteem.
4	AUX IN R	Voor het aansluiten van het rechterkanaal van een analoog apparaat, zoals een cd-speler of een media-player, op het UPPLEVA geluidssysteem.
5	OPTICAL IN	Voor het aansluiten van een optische audio-uitvoer op de tv of een digitaal apparaat.
6	HDMI	Voor het aansluiten van de HDMI-ARC op de tv.
7	SERVICE	Alleen voor service-gebruik.
8	SPEAKERS (R/L) 4Ω	Voor het aansluiten van de rechter luidspreker van het UPPLEVA systeem.

## Afstandsbediening

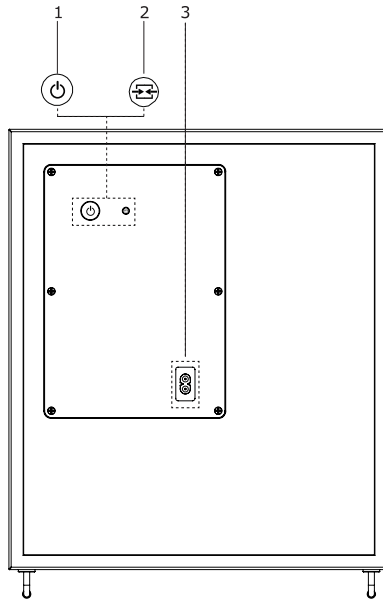




Nr.	Component	Functie
1		Schakelen tussen verschillende geluidsmodi.
2		Afspelen/Pauze met verbonden Bluetooth apparaten.
3		Naar vorig nummer/tv-zender/FM-zender.*
4		Tv aanzetten: als de tv aan staat, verander je zo de tv-bron.*
5		Systeem Aan/Uit. Het geluidssysteem en de tv aan-/uitzetten*
6		Source knop. Geluidssysteem aanzetten. Als het geluidssysteem aan staat verandert dit de bron van het geluidssysteem.
7		Naar volgend nummer/tv-zender/FM-zender.*
8		Geluidssysteem op mute zetten of van mute afhalen.
9	+ VOL -	Volume hoger of later zetten.

\*Deze functies werken alleen gegarandeerd met de volgende UPPLEVA tv's (vermeld per artikelnummer):

402-565-98, 802-662-13, 202-565-99, 502-662-19, 802-566-00, 102-662-16, 602-566-01, 002-662-12, 002-565-81, 302-662-15, 602-565-78, 902-662-17.

## Subwoofer

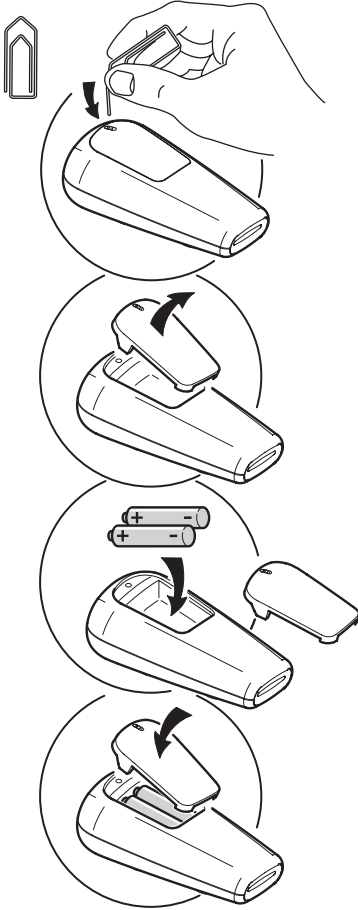


Nr.	Component	Functie
1		Aan/Uit. De subwoofer aan-/uitzetten.
2		Voor het paren van de subwoofer met de soundbar.
3	AC IN	Voor het aansluiten van de stroomkabel voor de stroomvoorziening.

### 3 Klaarmaken voor gebruik

#### Gereedmaken van de afstandsbediening

Plaats twee LR03 (AAA) batterijen volgens de aangeduide polariteit (+/-) in de afstandsbediening.



#### Opmerkingen:

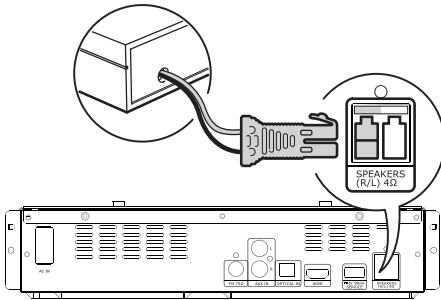
- Verwijder de batterijen als de afstandsbediening langere tijd niet gebruikt wordt.
- Combineer geen oude en nieuwe batterijen of verschillende soorten batterijen.
- Vermijd contact met hitte, zonlicht of vuil.

#### 4 Aansluiten

Sluit je geluidssysteem op onderstaande manieren aan.

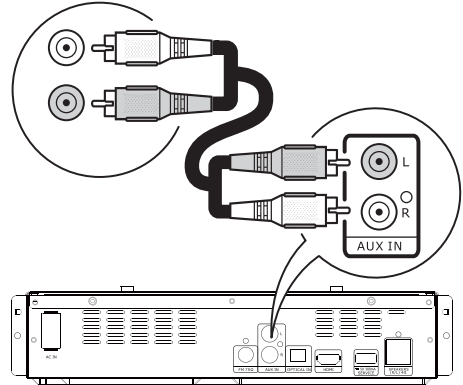
##### Aansluiten van de rechter luidspreker

Steek de rode luidsprekerkabel uit de rechter luidspreker in de aansluiting voor de rode SPEAKERS (R/L) 4Ω aan de achterkant van de soundbar.

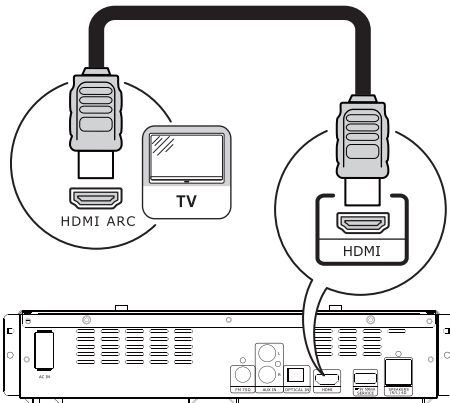


##### Aansluiten op een analoge uitvoer of analogo apparaat

Aansluiten op een analoge audio-uitvoer op de tv of een ander apparaat of op een analogo apparaat.



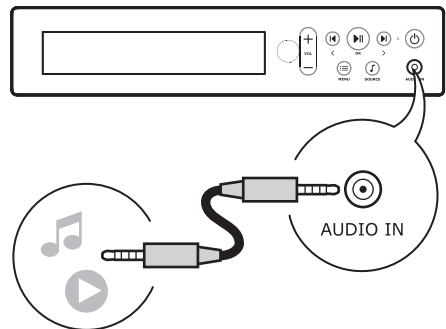
##### Aansluiten op een TV



Gebruik een HDMI-kabel en de HDMI ARC-poort op de tv om het geluidssysteem op een UPPELVA tv aan te sluiten. Als je het geluidssysteem op een andere tv wilt aansluiten, adviseren we om de HDMI ARC-poort of OPTICAL poorten te gebruiken. Eenmaal aangesloten druk je op de SOURCE knop op de afstandsbediening om over te schakelen naar televisie-modus.

Sluit de audiokabel van de AUX IN-poorten op het geluidssysteem aan op de AUDIO OUT-poorten op de tv of ander apparaat. Na het aansluiten druk je op de SOURCE knop op de afstandsbediening om over te schakelen naar de Aux In-modus.

##### Aansluiten op een media-apparaat



Een draagbaar media-apparaat, zoals een mp3-speler of cd-speler sluit je aan op de AUDIO-IN poort. Na het aansluiten druk je op de SOURCE knop om over te schakelen naar de Audio In-modus.

**Pairing van de subwoofer**

De subwoofer is fabrieksmatig gepaired voor automatische draadloze verbinding met de soundbar. Pairing is alleen nodig in het uitzonderlijke geval dat de verbinding is verbroken. Volg onderstaande stappen om de subwoofer te pairen met de soundbar:

1. Controleer of de soundbar en de subwoofer aan staan. Het lampje van de subwoofer knippert langzaam.
2. Druk ca. 6 seconden op de pairing-knop aan de achterkant van de subwoofer. Het indicatorlampje aan de voorkant van de subwoofer gaat sneller knipperen.
3. Ga naar het MENU van het geluidssysteem en selecteer PAIR. Op het display van de sound bar verschijnt 'Pairing'. Als het pairen voltooid is, blijft het lampje van de subwoofer continue branden.

Druk op de aan/uit-knop van de subwoofer om de pairing tijdelijk te verbreken. Het indicatorlampje van de subwoofer gaat uit.

## 5 Gebruik van het geluidssysteem

In dit hoofdstuk wordt uitgelegd hoe je het geluidssysteem kan gebruiken om media van diverse bronnen af te spelen. Zorg eerst dat alle benodigde aansluitingen zijn gemaakt.

### TV

Als de tv een HDMI ARC-poort heeft kan het geluidssysteem geluid van de tv afspelen. Druk net zolang op de **↕** SOURCE knop op de afstandsbediening totdat Televisie geselecteerd is.

### FM-radio

Volg onderstaande stappen voor het opzoeken en opslaan van je favoriete radiozenders:

1. Plaats de FM-antenne op een geschikte plek en sluit hem aan op de FM-antennepoort. Druk op SOURCE op de soundbar en blader naar *FM*.
2. Druk op MENU op de soundbar om naar de menu-opties te gaan. Gebruik **</>** om *FM INSTALL* te selecteren en druk op OK. De beschikbare zenders worden automatisch opgeslagen. Druk op MENU op de soundbar om de zenders op te slaan. Gebruik de **◀**, **▶** knoppen om tussen de zenders te schakelen.

Volg onderstaande stappen om de zenders handmatig in te stellen:

1. Druk op SOURCE op de soundbar en blader naar *FM*.
2. Druk op MENU op de soundbar om naar de menu-opties te gaan. Gebruik **</>** om *FM MANUAL TUNE* te selecteren en druk op OK. Gebruik **</>** om de frequentie te wijzigen met stappen van 0.05MHz. Druk op OK om de nieuwe frequentie op te slaan. Selecteer een nieuw zendernummer met **</>** en druk op OK.

Volg onderstaande stappen om opgeslagen zenders te verwijderen:

1. Druk op SOURCE op de soundbar en schakel naar *FM*. Gebruik **</>** om de te verwijderen zender te selecteren.
2. Druk op MENU op de soundbar om naar de menu-opties te gaan. Gebruik **</>** om *FM DELETE* te selecteren en druk op OK. Druk op MENU om terug te keren naar *FM*.

Volg onderstaande stappen voor het selecteren van je favoriete display-modus op de display van het geluidssysteem:

1. Druk op SOURCE op de soundbar en blader naar *FM*.  
-Druk op MENU op de soundbar om naar de menu-opties te gaan. Gebruik **</>** om *INFO* te selecteren en druk op OK. Gebruik **</>** om de gewenste display-modus te selecteren en druk op OK.  
*INFO<FREQ>* geeft het frequentiekanaal weer.  
*-INFO<RDS>* geeft de tekst van het Radio Data Systeem weer (indien beschikbaar).  
*-INFO<RADIO-TEXT>* geeft de radiotekst weer (indien beschikbaar).

### Bluetooth

Alle telefoons, tablets en andere media-apparaten met Bluetooth zijn compatibel met het UPPEVA geluidssysteem\*. Na pairing van het media-apparaat wordt er automatisch verbinding gemaakt zodra BLUETOOTH als bron wordt geselecteerd. Het geluidssysteem kan met 8 apparaten worden gepaired, maar is alleen zichtbaar voor het apparaat dat als eerste is verbonden. Volg deze stappen voor het pairen, gebruiken en uitschakelen van Bluetooth.

Het pairen van een media-apparaat.

1. Druk op de SOURCE knop op de afstandsbediening en blader naar BLUETOOTH. Als er geen apparaat is verbonden, toont de display *Bluetooth Wait*.
2. Schakel Bluetooth op je media-apparaat in. Maak verbinding met het geluidssysteem door te verbinden met UPPEVA. Als er eenmaal een verbinding is, toont de display *Bluetooth Ready*.
3. Gebruik **◀**, **▶**, **▶▶** en **<+ VOL ->** knoppen om de muziek te beheren.

Voor het selecteren van je favoriete display-modus op de display:

1. Druk op SOURCE op de soundbar en schakel naar *BLUETOOTH*.
2. Druk op MENU op de soundbar om naar de menu-opties te gaan. Gebruik **</>** om *INFO* te selecteren en druk op OK. Gebruik **</>** voor de gewenste display-modus en druk op OK. Druk ter afsluiting op MENU.  
*-ID3* geeft de titel op bovenste rij neer en artiest en album op de onderste rij.

-*TIME* toont de tekst *BLUETOOTH* op de bovenste rij en de tijd op de onderste rij.

\*Indien compatible met Bluetooth v2.1+EDR of hoger.


Om de verbinding met een media-apparaat te verbreken:

- 1.Druk op *SOURCE* op de soundbar en blader naar *BLUETOOTH*.
- 2.Druk op *MENU* op de soundbar om naar de menu-opties te gaan. Gebruik *</>* en de OK-knop om *FORCE UNLINK* te selecteren. Let op: force unlink is noodzakelijk als je meer dan 8 apparaten aan het geluidssysteem gekoppeld hebt.

Zet Bluetooth uit op je Bluetooth-apparaat of maak de pairing met *UPPLEVA* ongedaan om de verbinding te verbreken.

### **Een geluidsmodus selecteren**

Je kan kiezen uit verschillende geluidsmodi om je geluidservaring te verbeteren.

Druk op  op de afstandsbediening en kies uit Standaard, Muziek, Nieuws, Films en Persoonlijke modus. Het gekozen effect is na een paar seconden volledig waarneembaar.

#### **Persoonlijke modus instellen**

In de persoonlijke modus kan het niveau van de lage en hoge tonen en de wide modus gewijzigd worden naar gelang je persoonlijke voorkeur. Volg deze stappen voor het instellen van de persoonlijke modus.

- 1.Druk op  op de afstandsbediening en schakel naar Persoonlijke modus.
2. Niveau van lage tonen: Druk op *MENU* op de soundbar om naar de menu-opties te gaan. Gebruik *</>* om *BASS* te selecteren en druk op OK. Gebruik *</>* om te kiezen uit een schaal van -8 tot 8 en druk op OK om te bevestigen. Druk op *MENU* ter afsluiting. Hoe hoger het geselecteerde niveau, hoe meer uitgesproken het geluid van de lage tonen is.
- 3.Niveau van hoge tonen: Druk op *MENU* op de soundbar om naar de menu-opties te gaan. Gebruik *</>* om *TREBLE* te selecteren en druk op OK. Gebruik *</>* om te kiezen uit een schaal van -6 tot 6 en druk op OK om te bevestigen. Hoe hoger het niveau, hoe uitgesprokener het geluid van de hoge tonen is.

## 6 Instellingen

### Geluidsinstellingen

Schakel de WIDE modus in voor een surround sound-effect:

1. Druk op MENU op de soundbar om naar de menu-opties te gaan. Gebruik </> om WIDE te selecteren en druk op OK. Gebruik de > knop om naar *On* te bladeren en druk op OK om te bevestigen. Druk op MENU ter afsluiting.

Het niveau van de lage tonen van de subwoofer kan aangepast worden aan je voorkeuren.

1. Druk op MENU op de soundbar om naar de menu-opties te gaan. Gebruik </> om SUB te selecteren en druk op OK. Gebruik </> om te kiezen uit een schaal van -9 tot 0 en druk op OK om te bevestigen. Druk op MENU ter afsluiting. Hoe hoger de waarden, hoe meer uitgesproken de lage tonen zijn.

### Helderheid van de display

De helderheid van de display kan worden aangepast aan de omgeving of je voorkeur. Volg deze stappen om de helderheid te wijzigen.

1. Druk op MENU op de soundbar om naar de menu-opties te gaan. Gebruik </> om BRIGHTNESS te selecteren en druk op OK.  
2. Gebruik de </> knoppen om *Off*, *Low*, *AUTO* of *High* te selecteren en druk op OK om te bevestigen. Druk op MENU ter afsluiting. De *High* en *Low* geven een hoge en respectievelijk lage helderheid van de display terwijl de Auto-instelling de display dimt als die 15 seconden niet gebruikt is. In de *Off*-instelling geeft de display geen informatie weer om voor zo min mogelijk afleiding te zorgen. De volumeweergave blijft wel zichtbaar. Na elke bediening licht de display 15 seconden op.

### De stand-by tijd aanpassen

Om stroom te besparen gaat het geluidssysteem automatisch in de stand-by modus als er geen geluid wordt afgespeeld. Volg deze stappen om de tijd aan te passen voordat het systeem in stand-by gaat. Selecteer OFF als je niet wilt dat het systeem automatisch in stand-by gaat.

1. Druk op MENU op de soundbar om naar de menu-opties te gaan. Gebruik </> om AUTO STANDBY te selecteren en druk op OK.  
2. Gebruik </> om de gewenste tijdsduur te kiezen en druk op OK om te bevestigen. Druk op MENU ter afsluiting.

### UPPLEVA tv

Het advies luidt om de volgende instelling te gebruiken als je een andere tv (niet UPPLEVA\*) met HDMI hebt aangesloten op het UPPLEVA geluidssysteem. De instelling zorgt ervoor dat de tv en het UPPLEVA geluidssysteem op de best mogelijke manier samenwerken.

Volg deze stappen voor het instellen.

1. Druk op MENU op de soundbar, schakel naar UPPLEVA TV en druk op OK.

2. Selecteer *No* als je geen UPPLEVA tv\* hebt.

Met *No* voorkom je dat het geluidssysteem geactiveerd wordt als actieve bron als je tv aan staat.

Gebruik *Yes* als je een UPPLEVA tv hebt.

Je kan de instelling later veranderen als je het UPPLEVA geluidssysteem toch wil combineren met een UPPLEVA tv\*.

Volg deze stappen voor het instellen.

1. Druk op MENU op de soundbar, blader naar UPPLEVA TV en druk op OK.

2. Selecteer *Yes* als je een UPPLEVA tv hebt\*.

\*Alleen van toepassing voor deze UPPLEVA tv's (vermeld per artikelnummer):

402-565-98, 802-662-13, 202-565-99,  
502-662-19, 802-566-00, 102-662-16,  
602-566-01, 002-662-12, 002-565-81,  
302-662-15, 602-565-78, 902-662-17.

### Terug naar fabrieksinstellingen

Volg deze stappen om het geluidssysteem terug te zetten naar de fabrieksinstellingen.

1. Druk op MENU op de soundbar om naar de menu-opties te gaan. Gebruik </> om RESET te selecteren en druk op OK. De tekst *Warning* verschijnt op de display. Druk op OK.

2. Gebruik </> om *Yes* of *No* te selecteren. Bij *Yes* wordt het geluidssysteem teruggezet naar de fabriekinstellingen en bij *No* keer je terug naar de menu-opties.

## 7 Specificaties

### Hoofdfuncties

- FM-tuner/Bluetooth/Audio in/Aux in/Optisch in/HDMI
- Luidsprekertype: 2.1 stereo+subwoofer
- HDMI system control:
- HDMI CEC 1.4, ARC, System Audio control, Remote Pass Through, OneTouchStandby, OneTouchPlay
- FM functions: RDS, Radio-text (PS, RT)
- Geluidsmodi: 5 voorinstellingen, lage en hoge tonen
- Surround: Virtual Surround
- Auto Standby

### Audio-inputaansluitingen

- HDMI + CEC/ARC
- Digital in: optisch
- AUX in L/R: tulpstekkers
- Audio in voorzijde: 3.5 mm
- FM-antenne: 75 ohm

### Ondersteunde digitale audioformaten

- Dolby digital/PCM
- Bemonsteringsfrequentie 32kHz/44.1kHz/48kHz

### Bluetooth

- Versie compatibiliteit: 2.1+EDR of hoger
- Codec ondersteuning: SBC, A2DP 1.2, AVRCP 1.4
- Auto pairing: max. 8 apparaten
- Auto A2DP verbinding
- ID3 tag display: titel/artiest/album
- Bedieningstoetsen: Play/pause, Volgende/vorige, snel vooruit spoelen/ snel terug spoelen

### Service

- De SERVICE usb-poort wordt alleen gebruikt voor het updaten van de software.

#### Opmerking:

*Schakel het apparaat niet uit en verwijder het usb-apparaat niet tijdens een software-update.*

### Hoofddunit

- Stroomvoorziening: 220-240V 50/60Hz
- Elektrischeitsverbruik in stand-by modus: <0.5W
- Nominaal elektrischeitsverbruik van de soundbar: 30W
- Nominaal elektrischeitsverbruik van de subwoofer: 20W
- Elektrischeitsverbruik van de subwoofer in stand-by modus: <0.5W
- Elektrischeitsverbruik van de subwoofer in netwerk-stand-by modus: <2.0W
- Werktemperatuur: 5 °C to 35 °C
- Werkvochtigheid: Minder dan 80% (geen condensatie)

### Versterker

- Totale stroomuitvoer: 100W RMS (1% THD)
- Frequentiebereik: 40 Hz-20 kHz
- Ingangsgevoeligheid: AUX IN: 2 V  
AUDIO IN: 1 V

### Radio

- Tunerbereik: FM 87.5-108 MHz (50 kHz)
- Signaal-ruisverhouding: FM 50 dB

## 8 Probleemoplossingen

Mocht je problemen ervaren tijdens het gebruik van het product, kijk dan in onderstaande lijst voor een oplossing. Als je geen oplossing kan vinden voor de problemen met je UPPLEVA geluidssysteem, neem dan contact op met de IKEA klantenservice via [IKEA.be](http://IKEA.be).

Probleem	Tip
Afstandsbediening reageert niet.	Zorg dat je de afstandsbediening op het geluidssysteem richt.
	Zorg dat de batterijen er goed in zitten.
	Controleer of de batterijen leeg zijn en vervangen moeten worden door nieuwe batterijen.
Slechte FM-ontvangst	Zorg ervoor dat de FM-antenne goed verbonden en geïnstalleerd is. Gebruik anders een FM-antenne voor buiten of gebruik een FM-kabelverbinding.
Kan Bluetooth niet gebruiken.	Controleer of je telefoon, tablet of ander media-apparaat Bluetooth heeft.
	Zorg dat je verbinding maakt met het juiste IKEA apparaat: UPPLEVA.
	Zorg dat je telefoon, tablet of ander media-apparaat gepaired is en dat Bluetooth ingeschakeld is.
	Zorg ervoor dat er geen andere Bluetooth apparaten in de ruimte gepaired zijn. Als er een ander Bluetooth apparaat gepaired is, schakel je de Bluetooth functie van dat apparaat uit.
Slechte geluidskwaliteit bij het afspelen via Bluetooth.	De Bluetooth ontvangst is slecht. Zet het apparaat dichterbij het geluidssysteem of verwijder voorwerpen die tussen het apparaat en het geluidssysteem staan. Opmerking: Bluetooth ontvangst functioneert normaal gesproken op een afstand van max. 6-8 meter zonder obstakels. Als het signaal geblokkeerd wordt door voorwerpen, meubels of muren, wordt die afstand minder. Als het apparaat in een zak van je kleding zit of of in een tas, kan de afstand ook kleiner worden.
Geluid van de tv doet het niet.	Zorg dat het geluidssysteem op de HDMI ARC-poort van de tv is aangesloten. Zorg dat de T-link functie van de UPPLEVA tv is ingeschakeld.
Geen geluid uit geluidssysteem.	Zorg ervoor dat het geluidssysteem op het stroomnet is aangesloten.
	Zorg ervoor dat het geluidssysteem aan staat.
	Zorg ervoor dat de kabels aangesloten en intact zijn.
	Zorg ervoor dat de linker en recht luidsprekers aangesloten zijn.
	Zorg ervoor dat mute niet aan staat en het volume niet op 0.
Controleer of je de juiste bron hebt geselecteerd.	
TV-scherm verandert van source bron en wordt zwart zodra het geluidssysteem aan gaat.	Controleer of je in de UPPLEVA tv-instelling hebt gekozen voor een UPPLEVA tv* of niet, zie Hoofdstuk 6 Instellingen/UPPLEVA tv. Alleen van toepassing op deze UPPLEVA tv's: 402-565-98, 802-662-13, 202-565-99, 502-662-19, 802-566-00, 102-662-16, 602-566-01, 002-662-12, 002-565-81, 302-662-15, 602-565-78, 902-662-17.

**Let op! Als de oplossing van je problemen niet in bovenstaande lijst staat, koppel je het product 1 minuut los van het elektriciteitsnet. In hoogst uitzonderlijke gevallen kan het zijn dat je geluidssysteem een software-update nodig heeft. Neem contact op met de IKEA klantenservice via [IKEA.be](http://IKEA.be) voor meer informatie.**

## 9 Verklarende woordenlijst

### ARC

Audio Return Channel is een technologie die wordt gebruikt bij HDMI-aansluitingen van televisies en geluidsapparatuur. ARC zorgt ervoor dat het geluid van de tv via de HDMI-kabel door het geluidssysteem wordt afgespeeld. Je hebt in dit geval geen extra audiokabel meer nodig.

### Digital Audio

Digital Audio is een geluidssignaal dat in numerieke waarden is omgezet. Digitaal geluid kan via meerdere kanalen verzonden worden. Analog geluid kan slechts via twee kanalen verzonden worden.

### Dolby® Digital

Het systeem om digitaal geluid te comprimeren, ontwikkeld door Dolby Laboratories. Het zorgt voor stereogeluid (2ch) of meerkanaalsgeluid.

### HDCP

High-bandwidth Digital Content Protection. Deze specificatie verzorgt een veilige uitwisseling van digitale inhoud tussen verschillende apparaten (om schending van copyright te voorkomen).

### HDMI®

High-Definition Multimedia Interface (HDMI) is een snelle digitale interface waarmee video en digitale audio ongecomprimeerd via meerdere kanalen verzonden kunnen worden. Dit zorgt voor beeld en geluid van hoge kwaliteit. HDMI is volledig compatibel met DVI. Als gevolg van de HDMI-norm valt het beeld of geluid weg als je HDMI-/DVI-producten gebruikt zonder HDCP (High-bandwidth Digital Content Protection).

### HDMI-CEC

Met een HDMI-aansluiting kunnen de tv en het geluidssysteem via HDMI-CEC signalen met elkaar communiceren. Je hebt maar één afstandsbediening nodig om alle apparaten te bedienen. Dat geldt onder andere voor de volumeregeling, automatische bronselectie, automatische in- en uitschakeling van de tv en het geluidssysteem of een andere tv-zender kiezen.

### PCM

Pulse Code Modulation. Een digitaal audiocoderingssysteem.

## 10 Contact opnemen met IKEA

Voor vragen, service of ondersteuning met betrekking tot je nieuwe UPPEVA tv of geluidssysteem kan je contact opnemen met de IKEA klantenservice via [IKEA.be](http://IKEA.be). Om je zo goed mogelijk te kunnen helpen, adviseren we je om eerst goed de handleiding te lezen voordat je contact met ons opneemt. Zorg dat je het artikelnummer van het product bij de hand hebt. Dit 8-cijferig nummer vind je op de aankoopbon of op de achterkant van de UPPEVA tv of het geluidssysteem.

## 11 CONFORMITEITSVERKLARING VERTALING

Het product voldoet aan de voorziening voor CE-markering volgens de volgende richtlijn(en):

- Richtlijn laagspanning 2006/95/EG
- EMC-richtlijn 2004/108/EC (elektromagnetische compatibiliteit)
- RoHS-richtlijn 2011/65/EU (gebruik van gevaarlijke stoffen)
- ErP-richtlijn 2009/125/EG (ecodesign)
- R&TTE-richtlijn 1999/5/EG (telecommunicatie-apparatuur)

<b>Type apparatuur:</b>	Geluidssysteem
<b>Merksnaam of handelsmerk:</b>	IKEA
<b>Typeaanduiding:</b>	Soundbar: MFE, MFC Draadloze subwoofer: SFE, SFC
<b>Fabrikant:</b>	IKEA of Sweden AB
<b>Adres:</b>	Box 702, SE-343 81 Älmhult, ZWEDEN
<b>Telefoonnr.:</b>	+46(0)476-81000

De volgende geharmoniseerde Europese normen of technische specificaties, die voldoen aan geldende technische praktijken op het gebied van veiligheid die van kracht zijn binnen de EER, zijn toegepast.

### Veiligheid

EN 60065: 2002 (Zevende editie) + A1: 2006 + A11: 2008 + A2: 2010 + A12: 2011

### EMC

EN61000-3-2:2006+A1:2009+A2:2009  
 EN61000-3-3:2008  
 EN62479:2010  
 EN55013:2001+A1:2003+A2:2006  
 EN55020:2007+A11:2011

### R&TTE

ETSI EN300 328 V1.8.1: 2012  
 ETSI EN300440-1 V1.6.1:2010  
 ETSI EN300440-2 V1.4.1:2010  
 ETSI EN301489-1 V1.9.2:2011  
 ETSI EN301489-17 V2.2.1:2012  
 ETSI EN301489-3 V1.4.1:2002

### ERP

Regeling 12752009

### Aanvullende informatie

Het product heeft een CE-markering 2014.

We hebben producttoezicht volgens de productbeschrijving van IKEA.

Als door de fabrikant/fabrikanten geautoriseerde vertegenwoordiger binnen de EER verklaren wij op geheel eigen verantwoordelijkheid dat de apparatuur voldoet aan de voorzieningen van de bovengenoemde richtlijnen.

Datum 18-8-2014

**Indhold**

<b>1</b>	<b>Vigtigt</b> .....	<b>73</b>
	Sikkerhed og vigtig bemærkning .....	73
	Bortskaffelse af dit gamle produkt og batterier .....	73
	Bemærkning om ophavsret .....	74
	Bemærkning om varemærke .....	74
<b>2</b>	<b>Produktoversigt</b> .....	<b>75</b>
	Lydsystemlinje .....	75
	Bagpanel .....	76
	Fjernbetjening .....	77
	Subwoofer .....	78
<b>3</b>	<b>Forberedelse</b> .....	<b>79</b>
	Forbered fjernbetjeningen .....	79
<b>4</b>	<b>Forbindelse</b> .....	<b>80</b>
	Forbind højre højtaler .....	80
	Forbindelse til et TV .....	80
	Forbindelse til analogt output eller enhed .....	80
	Forbindelse til en medieenhed .....	80
	Parring af subwoofer .....	81
<b>5</b>	<b>Brug af dit lydsystem</b> .....	<b>82</b>
	TV .....	82
	FM radio .....	82
	Bluetooth .....	82
	Valg af lydtilstand .....	83
<b>6</b>	<b>Indstillinger</b> .....	<b>84</b>
	Lydindstillinger .....	84
	Paneldisplayets lysstyrke .....	84
	Ændring af standby-tid .....	84
	UPPLEVA TV .....	84
	Nulstil til fabrikkens indstillinger .....	84
<b>7</b>	<b>Specifikationer</b> .....	<b>85</b>
<b>8</b>	<b>Fejlsøgning</b> .....	<b>86</b>
<b>9</b>	<b>Ordliste</b> .....	<b>87</b>
<b>10</b>	<b>Kontakt IKEA</b> .....	<b>87</b>
<b>11</b>	<b>OVERENSSTEMMELSESERKLÆRING OVERSÆTTELSE</b> .....	<b>88</b>

## 1 Vigtigt

### Sikkerhed og vigtig bemærkning

Advarsel:

- Risiko for overophedning! Installér aldrig produktet på indelukket plads. Efterlad altid mindst 5 mm plads rundt om produktet for ventilering. Sørg for, at gardiner og andre objekter aldrig dækker ventileringåbningerne på produktet.
- Placér aldrig produktet, fjernbetjeningen eller batterier nær åben ild eller andre varmekilder, deriblandt direkte sollys.
- Brug kun produktet indendørs.
- Apparatet må ikke udsættes for dryp eller sprøjt, ingen genstande fyldt med væsker såsom vaser skal placeres på apparatet.
- Placér aldrig dette produkt på andet elektrisk udstyr.
- Strømkvikket eller en apparatkobling bruges som frakoblingsenhed, frakoblingsenheden skal altid være let tilgængelig.
- Batterier (batteripakke eller installerede batterier) må ikke udsættes for overdreven varme såsom sollys, ild eller lignende.

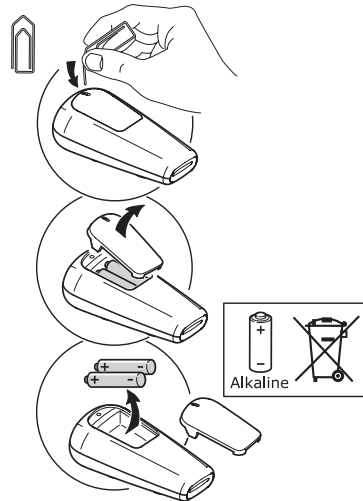
Dette produkt og medfølgende tilbehør er markeret med "CE" og overholder derfor med de gældende, harmoniserede, europæiske standarder: Lavspændingsdirektivet 2006/95/EF, EMC-direktivet 2004/108/EF, ErP-direktivet 2009/125/EF.



### Bortskaffelse af dit gamle produkt og batterier



Symbolet med en overstreget skraldespand angiver, at genstanden bør bortskaffes adskilt fra husholdningsaffald. Genstanden bør afleveres til genbrug i overensstemmelse med lokale miljøregulativer for bortskaffelse af affald. Ved at adskille en markeret genstand fra husholdningsaffald hjælper du med at reducere mængden af affald, der sendes til forbrænding eller lossepladser og minimerer potentiel negativ påvirkning på menneskelig helbred og miljøet. Kontakt din IKEA-butik for mere information.



### Bemærkning om ophavsret



Denne genstand inkorporerer ophavsretsbeskyttende teknologi, som er beskyttet af amerikanske patenter og andre rettigheder om intellektuel ejendom for Rovi Corporation. Det er forbudt at skille ad og udføre omvendt konstruktion.

### Bemærkning om varemærke



HDMI, HDMI-logo og High-Definition Multimedia Interface er varemærker eller registrerede varemærker for HDMI Licensing LLC i USA og andre lande.



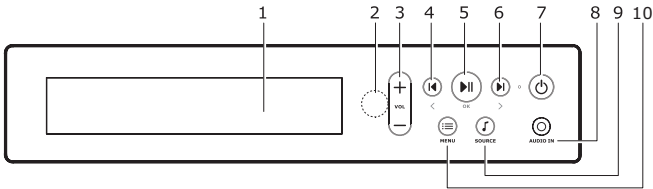
Dolby og symbolet med dobbelt D er registrerede varemærker for Dolby Laboratories.



Bluetooth ordmærke og logoer er registrerede varemærker ejet af Bluetooth SIG, Inc. og alt brug af sådanne mærker af IKEA er med licens. Andre varemærker og varenavne tilhører deres respektive ejere.

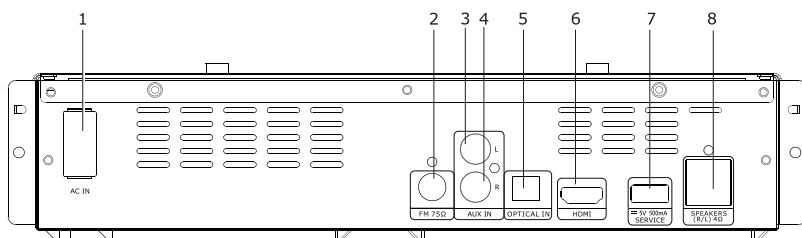
## 2 Produktoversigt

### Lydsystemlinje



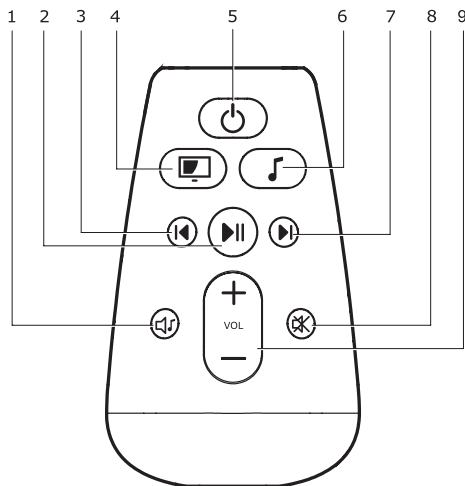
Nr.	Kontrol	Funktion
1	Display panel	Viser information om, hvad lydsystemet afspiller.
2	IR-sensor	Peger fjernbetjeningen på IR-sensoren (infrarød).
3	VOL +  VOL -	Skruer op for volumen. Tryk en gang for at skruе volumen op en gang. Hold nede for at fortsat skruе op.  Skruer ned for volumen. Tryk en gang for at skruе volumen ned en gang. Hold nede for at fortsat skruе ned.
4	◀  <	Skipper til sidste nummer eller FM-kanal.  Navigér bagud i menuen.
5	▶    OK	Afspil/Pause.  Tryk OK i menuen.
6	▶   >	Skipper til næste nummer eller FM-kanal.  Navigér fremad i menuen.
7	⏻	Tryk for at slå strøm til/fra.
8	AUDIO IN	Til at forbinde en lydafspillende enhed, f.eks. en mp3-afspiller eller cd-afspiller.
9	SOURCE	Tryk for at skifte kilde.
10	MENU	Tryk for at gå ind i og ud af menu og indstillinger.

## Bagpanel



Nr.	Kontrol	Funktion
1	AC IN	Til at forbinde strømkablet med strømstikket.
2	FM 75Ω	Til at forbinde antennen til FM radiomodtagelse.
3	AUX IN L	Til at forbinde venstre kanal for en analog enhed, for eksempel en cd-afspiller eller medieafspiller til dit UPPEVA-lydsystem.
4	AUX IN R	Til at forbinde højre kanal for en analog enhed, for eksempel en cd-afspiller eller medieafspiller til dit UPPEVA-lydsystem.
5	OPTICAL IN	Til at forbinde optisk lydoutput på tv'et eller en digital enhed.
6	HDMI	Til at forbinde HDMI-ARC-input på tv'et.
7	SERVICE	Kun til servicebrug.
8	SPEAKERS (R/L) 4Ω	Til at forbinde højre højttaler på UPPEVA-systemet.

## Fjernbetjening

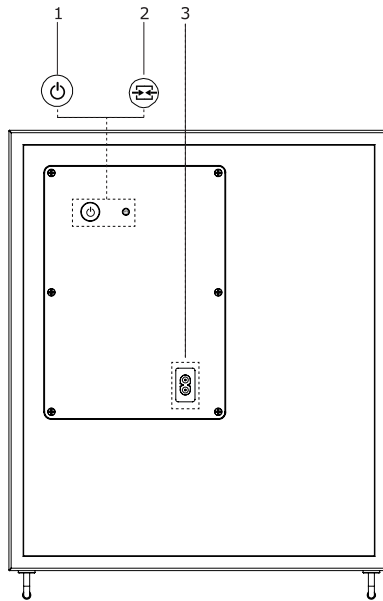


Nr.	Kontrol	Funktion
1		Skifter mellem forskellige lydtilstande.
2		Afspil/Pause med tilsluttede Bluetooth-enheder.
3		Skipper til sidste nummer/TV-kanal/FM-kanal.*
4		Tænder for dit tv: er tv'et tændt ændrer dette tv-kilden.*
5		Strøm til og fra. Slår lydssystem og tv til og fra.*
6		Knappen SOURCE. Tænder for lydsystemet. Hvis lydsystemet er tændt, skifter dette lydssystemets kilde.
7		Skipper til næste nummer/TV-kanal/FM-kanal.*
8		Muter eller fjerner mute fra lydsystemet.
9	+ VOL -	Skruer op eller ned for volumen.

\*Disse funktioner er kun garanteret at virke med disse UPPLEVA Tv'er (erklæret i artikelnumre):

402-565-98, 802-662-13, 202-565-99, 502-662-19, 802-566-00, 102-662-16, 602-566-01, 002-662-12, 002-565-81, 302-662-15, 602-565-78, 902-662-17.

## Subwoofer



Nr.	Kontrol	Funktion
1	⏻	Strøm til eller fra. Slår subwooferen til og fra.
2	🔌	Til at parre subwoofer med lydlinjen.
3	AC IN	Til at forbinde strømkablet med strømstikket.

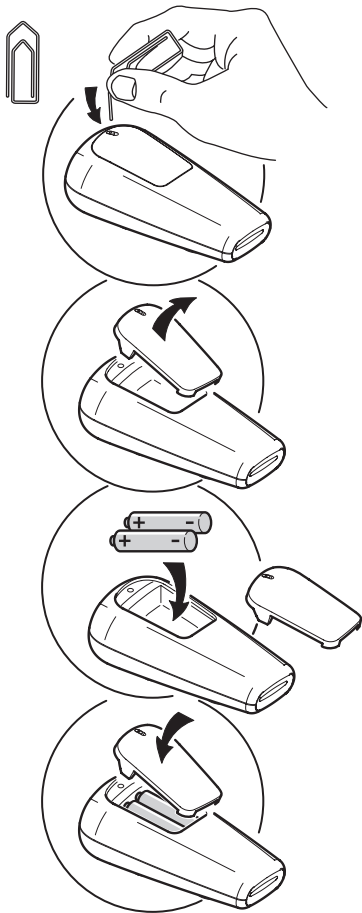
### 3 Forberedelse

#### Forbered fjernbetjeningen

Indsæt to LR03 (AAA) batterier med korrekt polaritet (+/-) som angivet på fjernbetjeningen.

#### Bemærkninger:

- Fjern batterierne, hvis du ikke skal bruge fjernbetjeningen i længere tid.
- Kombiner ikke gamle og nye eller forskellige typer batterier.
- Hold batterier væk fra varme, sollys og ild.

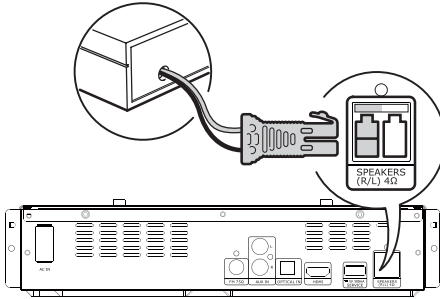


#### 4 Forbindelse

Forbind dit lydsystem på disse måder.

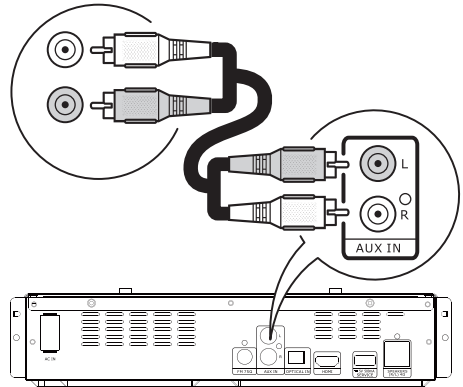
##### Forbind højre højttaler

Forbind det røde højttalerkabel fra højre højttaler til det røde SPEAKERS (R/L) 4Ω stik bag på lydlinjen.

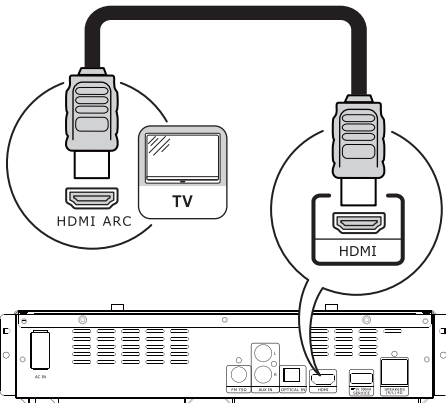


##### Forbindelse til analogt output eller enhed

Forbind til et analogt lydoutput på tv'et eller anden enhed, eller til en analog enhed.



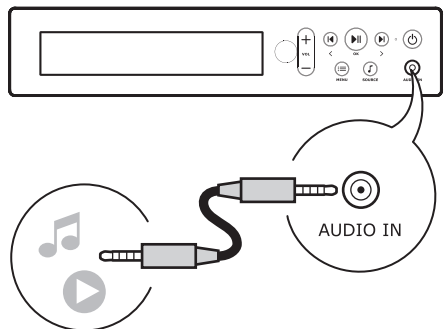
##### Forbindelse til et TV



Forbind lydsystemet til et UPPELEVA tv med et HDMI-kabel og HDMI ARC-stik på tv'et. Hvis du vil forbinde lydsystemet til et andet tv, anbefaler vi at du bruger HDMI ARC eller OPTICAL stik. Tryk på knappen SOURCE på fjernbetjeningen efter at lave forbindelsen for at skifte til tv-tilstand.

Forbind lyd-kablet fra AUX IN stik på lydsystemet til AUDIO OUT stik på tv'et eller anden enhed. Tryk på knappen SOURCE på fjernbetjeningen efter at have lavet forbindelsen for at skifte til Aux In-tilstand.

##### Forbindelse til en medieenhed



Forbind en bærbar lydenhed, for eksempel en mp3-afspiller eller cd-afspiller, til stikket AUDIO IN. Tryk på knappen SOURCE på fjernbetjeningen efter at have lavet forbindelsen for at skifte til Audio In-tilstand.

**Parring af subwoofer**

Subwooferen er allerede parret til automatisk, trådløs forbindelse med lydlinjen, når lydsystemet købes. Parringen er kun nødvendig i de sjældne tilfælde, hvor forbindelsen mistes. For at parre subwooferen med lydlinjen følges disse trin.

1. Sørg for, at både lydlinjerne og Subwooferen er tændt. Subwooferlampen vil blinke langsomt.

2. Tryk på parringsknappen bag på subwooferen i ca. 6 sekunder. Indikatorlampen foran på subwooferen begynder at blinke hurtigere.

3. Gå ind på MENU på lydsystemet og vælg PAIR. Displaypanelet på lydlinjen vil vise beskeden "Pairing". Når parring er udført, vil indikatorlampen på subwooferen lyse uden afbrydelse.

Tryk på subwooferens strømknop for at slukke for den midlertidig. Indikatorlampen foran på subwooferen vil gå ud.

## 5 Brug af dit lydssystem

Dette kapitel hjælper dig med at bruge dit lydssystem til at afspille medier fra en bred række af kilder. Sørg for at de nødvendige forbindelser er tilsluttet, før du begynder.

### TV

Hvis dit tv har et HDMI ARC stok, kan lydsystemet afspille lyd fra tv'et. For at gøre dette trykkes der på lydsystemets kildeknep, indtil tv er valgt.

### FM radio

Følg følgende trin for at søge og gemme dine foretrukne radiostationer.

1. Installer FM-antennen på et passende sted, og forbind den til antenneindgangen. Tryk på knappen SOURCE på lydsystemets linje og skift til FM.
2. Tryk på MENU på lydsystemets linje for at gå i menuindstillinger. Tilgængelige stationer er automatisk gemt. Tryk på MENU på lydsystemets linje for at gemme kanalerne. Brug **◀**, **▶** for at skifte mellem stationer.

Følg følgende trin for manuelt at tune stationer.

1. Tryk på SOURCE på lydsystemets linje og skift til FM.
2. Tryk på MENU på lydsystemets linje for at gå i menuindstillinger. Brug **</>** og vælg FM MANUAL TUNE og tryk på OK. Brug **</>** til at finjustere frekvensen i trin af 0,05MHz. Tryk på OK for at gemme den nye frekvens. Vælg et nyt stationsnummer med **</>**, og tryk på OK.

Følg følgende trin for at slette gemte stationer.

1. Tryk på SOURCE på lydsystemets linje og skift til FM. Brug **</>** til at vælge den station, du vil slette.
2. Tryk på MENU på lydsystemets linje for at gå i menuindstillinger. Brug **</>** til at vælge FM DELETE og tryk på OK. Tryk på MENU for at gå tilbage FM.

Følg følgende trin for at vælge din foretrukne displaytilstand på lydsystemets paneldisplay.

1. Tryk SOURCE på lydsystemets linje og skift til FM. Brug **</>** til at vælge den station, du vil slette.

2. Tryk på MENU på lydsystemets linje for at gå i menuindstillinger. Brug **</>** til at vælge INFO og tryk på OK. Brug **</>** til at vælge din foretrukne displaytilstand og tryk på OK for at bekræfte.

- INFO<FREQ> vil vise frekvenskanalen.
- INFO<RDS> vise tekst fra radiodatasystem (når tilgængelig).
- INFO<RADIO-TEXT> vil vise radioteksten (når tilgængelig).

### Bluetooth

Alle Bluetooth-aktiverede telefoner, tablets og andre medieafspillere er kompatibel med UPPEVA lydssystem\*. Når din medieenhed er parret med lydsystemet, vil det automatisk forbinde, når BLUETOOTH er valgt som kilde igen. Lydsystemet kan parres med 8 enheder, men vil kun være synlig med enheden forbundet først. Følg disse trin til at parre, bruge og frakoble Bluetooth.

For at parre en medieenhed.

1. Tryk på lydsystemets kildeknep på fjernbetjeningen og skift til BLUETOOTH. Hvis ingen enhed er forbundet, vil paneldisplayet vise *Bluetooth Wait*.
2. Skift til Bluetooth på din medieenhed. Forbind til lydsystemet ved at forbinde til "UPPEVA". Når forbundet, vil displaypanelet vise *Bluetooth Ready*.
3. Brug **◀**, **▶**, **▶||** og **<+ VOL ->** knapper til at kontrollere afspillende musik.

For at vælge din foretrukne displaytilstand på paneldisplay.

1. Tryk på SOURCE på lydsystemets linje og skift til BLUETOOTH.
2. Tryk på MENU på lydsystemets linje for at gå i menuindstillinger. Brug **</>** til at vælge INFO og tryk på OK. Brug **</>** til at vælge din foretrukne displaytilstand og tryk OK for at bekræfte. Tryk på MENU for at afslutte.
- ID3 vil vise titlen på øverste række og kunstner og album på nederste række.
- TIME vil vise teksten BLUETOOTH på øverste række og tiden på nederste række.

\*Så længe, det er kompatibelt med Bluetooth v2.1+EDR eller højere.

For at fjerne parring fra en medieenhed.

1. Tryk på SOURCE på lydsystemets linje og skift til BLUETOOTH.

2. Tryk på MENU på lydsystemets linje for at gå i menuindstillinger. Brug </> og OK knappen til at vælge FORCE UNLINK.


*Bemærk: FORCE UNLINK er nødvendig, hvis du har forbundet mere end 8 forskellige enheder til lydsystemet.*

For at frakoble en medieenhed.

Sluk for Bluetooth på din Bluetooth-enhed eller fjern parring med UPPLEVA for at frakoble.


### **Valg af lydtilstand**

Du kan vælge mellem forskellige lydtilstande for at forbedre lydoplevelsen.

Tryk  på fjernbetjeningen for at vælge mellem Standard, Musik, Nyheder, Film og Personlig tilstand. Virkningen af lydtilstanden bliver fuldt hørbar efter nogle sekunder.

For at opsætte personlig tilstand

I personlig tilstand kan du vælge bass- og treble-niveauer og wide-tilstand ifølge din præference. Følg disse trin for at indstille din personlige tilstand.

1. Tryk  på fjernbetjeningen og skift til personlig tilstand.

2. Bass-niveau: Tryk MENU på lydsystemets linje for at gå i menuindstillinger. Brug </> til at vælge BASS og tryk OK. Brug </> til at vælge fra en skala fra -8 til 8 og tryk OK for at bekræfte. Tryk på MENU for at afslutte. Jo højere niveau du vælger, jo mere forbedret vil basslydene være.

3. Treble-niveau: Tryk MENU på lydsystemets linje for at gå i menuindstillinger. Brug </> til at vælge TREBLE og tryk OK. Brug </> til at vælge på en skala fra -6 til 6 og tryk OK for at bekræfte. Jo højere niveau du vælger, jo mere forbedret vil treblelydene være.

## 6 Indstillinger

### Lydindstillinger

For at få en surround sound-effekt kan WIDE-tilstand aktiveres:

1. Tryk MENU på lydsystemets linje for at gå i menuindstillinger. Brug </> til at vælge WIDE og tryk OK. Brug > knappen til at skifte til On og tryk OK for at bekræfte. Tryk på MENU for at afslutte.

Subwoofer bass-niveau kan justeres efter din præference.

1. Tryk MENU på lydsystemets linje for at gå i menuindstillinger. Brug </> til at vælge SUB og tryk OK. Brug </> til at vælge fra en skala mellem -9 og 0 og tryk OK for at bekræfte. Tryk på MENU for at afslutte. Jo højere værdi du vælger, jo mere forbedret vil bass'en være.

### Paneldisplayets lysstyrke

Paneldisplayets lysstyrke kan justeres til at passe til forskellige omgivelser eller præferencer. Følg følgende trin for at skifte lysstyrken.

1. Tryk MENU på lydsystemets linje for at gå i menuindstillinger. Brug </> til at vælge BRIGHTNESS og tryk OK.
2. Brug </> knapperne til at vælge Off, Low, AUTO eller High, og tryk på OK for at bekræfte. Tryk på MENU for at afslutte. Indstillingerne High og Low vil henholdsvis give en høj og lav lysstyrke på paneldisplayet mens auto-indstillingen vil dæmpe paneldisplayets lysstyrke efter 15 sekunder uden brug. Off-indstillingen vil fjerne alle informationer i displayet, så det bliver mere overskueligt. Lydstyrkeringen vil stadig være synlig. Ved enhver brug af displayet vises informationerne i 15 sekunder.

### Ændring af standby-tid

For at spare energi vil lydsystemet gå i standby automatisk, hvis ingen lyd afspilles. Følg følgende trin for at justere tiden, før den går i standby. Vælg OFF for at forhindre systemet i at gå i standby-tilstand automatisk.

1. Tryk MENU på lydsystemets linje for at gå i menuindstillinger. Brug </> til at vælge AUTO STANDBY og tryk OK.

2. Brug </> til at vælge din foretrukne tidsindstilling og tryk OK for at bekræfte. Tryk på MENU for at afslutte.

### UPPLEVA TV

Vi anbefaler følgende indstilling, hvis du har et andet tv (ikke UPPLEVA\*) forbundet med HDMI til UPPLEVA lydsystem. Indstillingen gør, at tv'et og UPPLEVA lydsystem fungerer sammen bedst muligt.

Følg disse trin til at indstille det.

1. Tryk på MENU på lydsystemets linje, skift til UPPLEVA TV og tryk OK.
2. Vælg No hvis du ikke har et UPPLEVA TV\*. Indstillingen "No" vil forhindre lydsystemet i at bryde ind som den aktive kilde på dit tv, når det tændes. Indstillingen "Yes" skal bruges til UPPLEVA TV\*.

Du kan skifte indstillingen tilbage igen hvis du vil bruge UPPLEVA lydsystem med et UPPLEVA TV\* på et senere tidspunkt. Følg disse trin til at indstille det.

1. Tryk MENU på lydsystemets linje, skift til UPPLEVA TV og tryk OK.
2. Vælg Yes hvis du har et UPPLEVA TV\*, skift til UPPLEVA TV og tryk OK.

\*Kun gyldigt for disse UPPLEVA Tv'er (erklæret i artikelnumre):

402-565-98, 802-662-13, 202-565-99, 502-662-19, 802-566-00, 102-662-16, 602-566-01, 002-662-12, 002-565-81, 302-662-15, 602-565-78, 902-662-17.

### Nulstil til fabrikkens indstillinger

Følg disse trin for at nulstille lydsystemet til fabriksindstillinger.

1. Tryk på MENU på lydsystemets linje for at gå i menuindstillinger. Brug </> til at vælge RESET og tryk OK. Teksten Warning vil blive vist på paneldisplayet. Tryk OK.
2. Brug </> til at vælge Yes eller No. Yes vil nulstille lydsystemet til fabriksindstillinger, og No vil springe tilbage til menuindstillinger.

## 7 Specifikationer

### Vigtigste funktioner

- FM tuner / Bluetooth / Audio in / Aux in / Optical in /HDMI
- Højttalertype: 2.1 Stereo+subwoofer
- HDMI-systemkontrol:
- HDMI CEC 1.4, ARC, System Audio control, Remote Pass Through, OneTouchStandby, One touch play
- FM-funktioner: RDS, Radio-text (PS, RT)
- Lydindstillinger: 5 faste indstillinger, bas og diskant
- Surround: Virtual Surround
- Auto Standby

### Lydtilslutninger

- HDMI + CEC/ARC
- Digital in: Optical
- AUX in L/R: cinch
- Front audio in: 3,5 mm
- FM-antenne: 75 ohm

### Understøttede digitale lydformater

- Dolby digital / PCM
- Sample rate 32kHz/44.1kHz/48kHz

### Bluetooth

- Versionskompatibilitet: 2.1+EDR eller højere
- Codec support: SBC, A2DP 1.2, AVRCP 1.4
- Auto pairing: op til 8 enheder
- Auto A2DP connect
- ID3 tag display: Titel/kunstner/album
- Afspillerkontrol: Afspil/pause, Næste/forrige, Spol frem/tilbage

### Service

- SERVICE USB-porten er kun til at opdatere softwaren.

#### Bemærk:

*Slå ikke strømmen fra og træk ikke USB-stik ud når software opdateres.*

### Hovedenhed

- Strømforsyning:220-240V 50/60Hz
- Strømforsøg i standby-tilstand: <0.5W
- Anslået strømforsøg for lydsystemets linje: 30W
- Anslået strømforsøg for subwoofer: 20W
- Strømforsøg af subwooferen i Standbytilstand: <0.5W
- Strømforsøg af subwooferen i netværksforbundet standbytilstand: <2.0W
- Driftstemperatur: 5°C til 35°C
- Driftsluftfugtighed: Under 80% (ingen kondensering)

### Forstærker

- Samlet output strøm: 100W RMS (1% THD)
- Frekvensrespons: 40 Hz-20 kHz
- Inputsensitivitet:  
AUX IN: 2 V  
AUDIO IN: 1 V

### Radio

- Tuningsrækkevidde:  
FM 87.5-108 MHz (50 kHz)
- Signal til støj-forhold: FM 50 dB

## 8 Fejlsøgning

Hvis du oplever nogen af følgende problemer under brug af enheden, så tjek listen foruden. Hvis du stadig oplever problemer med dit UPPLEVA lydssystem, kontakt IKEA kundeservice på [www.IKEA.com](http://www.IKEA.com).

Problem	Tip
Ingen reaktion på fjernbetjeningen.	Sørg for, at fjernbetjeningen peger mod lydsystemet.
	Sørg for, at batterierne er korrekt indsat.
	Tjek, om batterierne er drænet af strøm og skal udskiftes med nye.
Ringe FM-reception.	Sørg for, at FM-antennen er forbundet og korrekt installeret. Alternativt bruges en udendørs FM-antenne eller brug en FM-kabelforbindelse.
Kan ikke bruge Bluetooth.	Sørg for, at din telefon, tablet eller anden medieafspiller understøtter Bluetooth.
	Sørg for at forbinde til den korrekte IKEA-enhed ved navn UPPLEVA.
	Sørg for, at din telefon, tablet eller anden medieenhed er parret, og at bluetooth-funktionen er slået til.
	Sørg for, at ingen andre Bluetooth-enheder i rummet er parret. Hvis en anden Bluetooth-enhed er parret, så sluk Bluetooth-funktionen i den enhed.
Ringe lyd kvalitet når der afspilles via Bluetooth.	Bluetooth reception er ringe. Flyt enheden tættere på lydsystemet eller fjern alle forhindringer mellem enheden og lydsystemet. Bemærk: Bluetooth reception vil normalt fungere på en afstand af op til 6-8 meter i en uhindret linje. Når objekter, møbler eller vægge er imellem, vil afstand reduceres. Derudover, når enheden er i lommen på tøj eller en taske, reduceres afstand.
Ingen lyd fra tv'et.	Sørg for, at lydsystemet er forbundet til tv'et gennem HDMI ARC-stikket på dit tv. Sørg for, at T-link-funktionen i UPPLEVA TV er aktiveret.
Ingen lyd fra lydsystemet.	Sørg for, at lydsystemet er forbundet til strømkilden.
	Sørg for, at lydsystemet er tændt.
	Sørg for, at kabler er forbundne og ikke knækkede.
	Sørg for at både højre og venstre højttaler er forbundne.
	Sørg for, at mute ikke er aktiveret eller volumen sat til 0.
Sørg for, at korrekt kilde er valgt.	
Tv-skærm ændrer inputkilde og bliver sort, når lydsystemet tændes.	Sørg for, du har valgt, om du har et UPPLEVA TV* eller ej i indstillingen UPPLEVA TV, se kapitel 6 Indstillinger/ UPPLEVA TV. Kun gyldigt for disse UPPLEVA tv'er: 402-565-98, 802-662-13, 202-565-99, 502-662-19, 802-566-00, 102-662-16, 602-566-01, 002-662-12, 002-565-81, 302-662-15, 602-565-78, 902-662-17.

**Bemærk! Hvis de problemer, du oplever, ikke løses af ovenstående tips, skal du trække stikket ud i 1 minut. I sjældne tilfælde kan lydsystemet have brug for en softwareopdatering. Kontakt IKEA kundeservice på [www.IKEA.com](http://www.IKEA.com) for mere information.**

## 9 Ordliste

### ARC

Audio Return Channel er en teknologi, der bruges i HDMI-tilslutninger i tv'er og lydsystemer. ARC sender lyd fra tv'et til lydsystemet via HDMI-kablet. Derfor er der ikke brug for at installere et ekstra lydkabel.

### Digital Audio

Digital Audio er et lydsignal, som er blevet konverteret til numeriske værdier. Digital lyd kan transmitteres gennem flere kanaler. Analog lyd kan kun transmitteres gennem to kanaler.

### Dolby® Digital

Systemet til at komprimere digital lyd udviklet af Dolby Laboratories. Det tilbyder dig lyd i stereo (2k) eller multikanal lyd.

### HDCP

High-bandwidth Digital Content Protection. Dette er en specifikation, som giver en sikker transmission af digitalt indhold mellem forskellige enheder (for at forhindre uautoriseret skrivebeskyttelse.)

### HDMI®

High-Definition Multimedia Interface (HDMI) er et højhastigheds digitalt interface, som kan transmittre ukomprimeret video i høj opløsning og digital, multikanals lyd. Det leverer billede og lyd i høj kvalitet. HDMI er fuldt ud baglæns kompatibelt med DVI. Som krævet af HDMI-standard vil forbindelse til HDMI- eller DVI-produkter uden HDCP (High-bandwidth Digital Content Protection) resultere i intet billede- eller lydoutput.

### HDMI-CEC

HDMI-tilslutningen giver mulighed for samlet kontrol af tv og lydsystem via HDMI-CEC-signaler. Du kan nøjes med 1 fjernbetjening til at vælge funktioner i begge enheder. Disse funktioner er f.eks. kombineret lydstyrkekontrol, automatisk valg af kilde, automatisk slukning af tv og lydsystem og skift af tv-kanaler.

### MP3

Et filformat med et komprimeringsystem til lyddata. MP3 er forkortelse for Motion Picture Experts Group 1 (eller MPEG-1) Audio Layer 3. Med MP3-format, kan en CD-R eller CD- RW indeholde omkring 10 gange mere data end en almindelig CD.

### PCM

Pulse Code Modulation. Et digitalt lydindkodningssystem.

## 10 Kontakt IKEA

Hvis du har nogen spørgsmål omkring dit nye UPPLEVA TV eller Lydsystem eller skal bruge service eller support, så kontakt IKEA Kundeservice på [www.IKEA.com](http://www.IKEA.com).

For at være sikker på, at vi kan give dig bedst mulig assistance, så læs manualen omhyggeligt før du kontakter os. Og have artikelnummeret for dit køb klar ved hånden, når du ringer. Du finder det 8-cifrede artikelnummer på din kvittering eller bag på dit UPPLEVA TV eller Lydsystem.

## 11 OVERENSSTEMMELSESERKLÆRING OVERSÆTTELSE

Dette produkt opfylder kravene om CE-mærkning i henhold til følgende direktiv(er):

- Lavspændingsdirektivet (LVD) 2006/95/EF
- EMC-direktivet 2004/108/EF
- RoHS-direktivet 2011/65/EU
- ErP-direktivet 2009/125/EF
- R&TTE-direktivet 1999/5/EF

<b>Udstyrstype:</b>	Lydsystem
<b>Handelsnavn eller varemærke:</b>	IKEA
<b>Typebeskrivelse:</b>	Lydbar: MFE, MFC Trådløs subwoofer: SFE, SFC
<b>Producent:</b>	IKEA of Sweden AB
<b>Adresse:</b>	Box 702, 343 81 Älmhult, SVERIGE
<b>Telefonnummer:</b>	+46(0)476-81000

Følgende harmoniserede EU-standarder eller tekniske specifikationer, som er i overensstemmelse med god teknisk praksis inden for sikkerhedsforhold, og som er gældende inden for EEA, er anvendt.

### Sikkerhed

EN 60065: 2002 (7. udgave) + A1: 2006 + A11: 2008 + A2: 2010 + A12: 2011

### EMC

EN61000-3-2:2006+A1:2009+A2:2009

EN61000-3-3:2008

EN62479:2010

EN55013:2001+A1:2003+A2:2006

EN55020:2007+A11:2011

### R&TTE

ETSI EN300 328 V1.8.1: 2012

ETSI EN300440-1 V1.6.1:2010

ETSI EN300440-2 V1.4.1:2010

ETSI EN301489-1 V1.9.2:2011

ETSI EN301489-17 V2.2.1:2012

ETSI EN301489-3 V1.4.1:2002

### ERP

Forordning 1275/2009

Yderligere oplysninger

Produktet er CE-mærket 2014.

Vi har produktovervågning i henhold til IKEA produktbeskrivelsen.

Som producent/producentens bemyndigede repræsentant i EEA erklærer vi på eget ansvar, at udstyret er i overensstemmelse med de direktiver, der er angivet herover.

Dato 2014-08-18

## Efnisyfirlit

<b>1 Mikilvægt</b> .....	<b>90</b>
Öryggi og mikilvæg tilkynning .....	90
Förgun á gömlu vörunni þinni og rafhlöðum .....	90
Tilkynning um höfundarrétt .....	91
Tilkynning um vörumerki .....	91
<b>2 Vöruyfirlit</b> .....	<b>92</b>
Hljóðkerfisstrík .....	92
Afturhlíð .....	93
Fjarstýring .....	94
Bassahátalari .....	95
<b>3 Undirbúningur</b> .....	<b>96</b>
Undirbúa fjarstýringuna .....	96
<b>4 Tenging</b> .....	<b>97</b>
Hægri hátalarinn tengdur .....	97
Tengst sjónvarpi .....	97
Tengja hliðrænan útgang eða búnað .....	97
Tenging við fjölmiðlabúnað .....	97
Samstillt við bassahátalarann .....	98
<b>5 Að nota hljóðkerfið</b> .....	<b>99</b>
Sjónvarp .....	99
FM útvarp .....	99
Bluetooth .....	99
Að velja hljóðsnið .....	100
<b>6 Stillingar</b> .....	<b>101</b>
Hljóðstillingar .....	101
Stilling á skjábertu .....	101
Breytið biðtímanum .....	101
UPPLEVA TV .....	101
Endurstilla á sjálfgefnar stillingar .....	101
<b>7 Tæknilegar upplýsingar</b> .....	<b>102</b>
<b>8 Lausnaleit</b> .....	<b>103</b>
<b>9 Orðalisti</b> .....	<b>104</b>
<b>10 Hafið samband við IKEA</b> .....	<b>104</b>
<b>11 SAMRÆMISYFIRLÝSING ÞÝÐINGAR</b> .....	<b>105</b>

## 1 Mikilvægt

### Öryggi og mikilvæg tilkynning

Viðvörðun:

- Hætta á ofhitnun! Varan má aldrei standa í lokuðu rými. Alltaf þarf að skilja eftir minnst 5 mm kringum vöruna svo loft leiki um hana. Gætið þess að gluggatjöld eða aðrir hlutir hyjli aldrei loftræstop á vörunni.
- Setjið aldrei vöruna, fjarstýringu eða rafhlöður nálægt opnum eldi eða öðrum hita, þ.m.t. beinu sólarljósi.
- Notið þessa vöru aðeins innanhúss. Tækið má ekki verða fyrir leka eða slettum, ekki má setja hluti með vökva, eins og t.d. blómavasa, ofan á tækið.
- Setjið þessa vöru aldrei á annan rafbúnað.
- Aðalinnstungan eða millisnúra er notuð sem aftengingarbúnaður. Hann þarf alltaf að vera aðgengilegur.
- Rafhlöður (rafhlöðupakki eða rafhlöður sem komið er fyrir) mega ekki verða fyrir miklum hita eins og sólarljósi, eldi eða þess háttar.

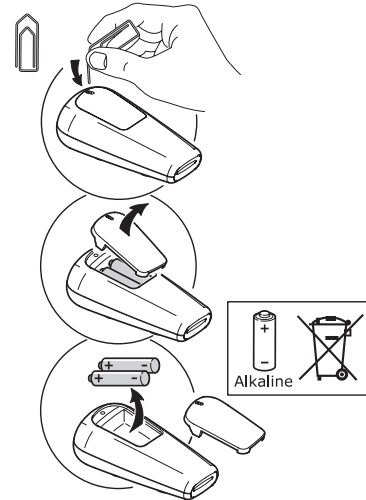
Þessi vara og fylgihlutir hennar eru merktir með "CE" og uppfylla því ákvæði eftirfarandi Evróputilskipanna: Tilskipun um lágspennu 2006/95/EB, EMC tilskipunin 2004/108/EB, ErP tilskipunin 2009/125/EB.



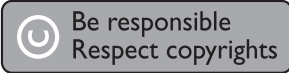
### Förgun á gömlu vörunni þinni og rafhlöðum



Táknið með krossi yfir tunnu sýnir að farga eigi hlutum sérstaklega, ekki með heimilissorpi. Afhenda á hlutinn til endurvinnslu samkvæmt viðeigandi reglugerðum. Með því að aðskilja merktan hlut frá heimilissorpi hjálpið þið til við að draga úr því magni sorps sem sent er í brennslu eða landfyllingu og hefur mögulega neikvæð áhrif á heilsu manna og umhverfið.



## Tilkynning um höfundarrétt



Be responsible  
Respect copyrights

Þessi vara felur í sér afritunarvörn sem er vernduð með bandarísku einkaleyfi og öðrum hugverkarétti Rovi Corporation. Bannað er að taka vöruna í sundur og setja aftur saman.

## Tilkynning um vörumerki



HDMI, HDMI-merkið og High-Definition Multimedia Interface eru skráð vörumerki HDMI Licensing LLC í Bandaríkjunum og öðrum löndum.



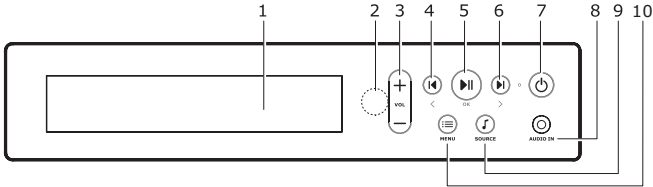
Dolby og tvöfalda D-táknið eru skráð vörumerki Dolby Laboratories.



The Bluetooth orðtáknið og merkin eru skráð vörumerki Bluetooth SIG, Inc. og öll notkun IKEA á slíkum táknum er samkvæmt leyfi. Önnur vörumerki og nöfn eru merki og nöfn hvers eiganda um sig.

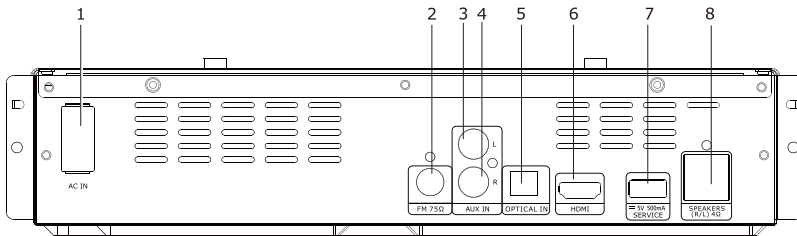
## 2 Vöruyfirlit

### Hljóðkerfisstrík



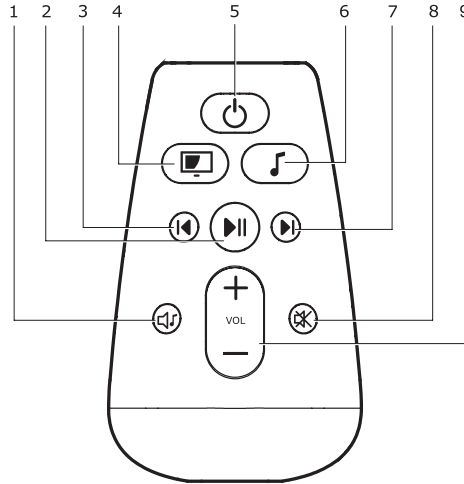
No.	Stjórnþæki	Virgni
1	Skjáborð	Sýnir hvaða hljóðkerfi er í gangi.
2	IR skynjari	Beinir fjarstýringunni að IR (innrauða) skynjaranum.
3	VOL +  VOL -	Hækkar hljóðið. Ýtið einu sinni á til að hækka um eitt stig. Ýtið og haldið til að hækka áfram.  Lækkar hljóðið. Ýtið einu sinni á til að lækka um eitt stig. Ýtið á og haldið til að lækka áfram.
4	◀  <	Fara að fyrra lagi eða FM-stöð.  Fara aftur í aðalvalmynd.
5	▶    OK	Spila/pása.  Ýtið á OK í aðalvalmyndinni.
6	▶   >	Fara að næsta lagi eða FM-stöð.  Halda áfram í aðalvalmyndinni.
7	⏻	Ýtið hér power til að kveikja/slökkva.
8	AUDIO IN	Til að tengja hljóðspilunarbúnað, t.d. MP3 spilara eða geislasplara.
9	SOURCE	Ýtið hér til að breyta um staðsetningu.
10	MENU	Ýtið hér til að komast í og fara út úr aðalvalmynd og stillingum.

## Afturhlíð



Nr.	Stjórnborð	Virkni
1	AC IN	Tengir rafmagnssnúruna við rafmagnsinntakið.
2	FM 75Ω	Tengir loftnetið fyrir FM útvarpsmóttöku.
3	AUX IN L	Tengir vinstri rásina á hliðrænan búnað, t.d. geislaspilara eða margmiðlunarspilara, við UPPLEVA-hljóðkerfið.
4	AUX IN R	Tengir hægri rásina á hliðræna búnaðinum, t.d. við geislaspilara eða margmiðlunarspilara. við UPPLEVA-hljóðkerfið.
5	OPTICAL IN	Tengir optical hljóðútgang á sjónvarpinu eða stafrænan búnað.
6	HDMI	HDMI-ARC tengi sjónvarpsins.
7	SERVICE	Aðeins fyrir þjónustuaðila.
8	SPEAKERS (R/L) 4Ω	Tengir hægri hátalarann í UPPLEVA kerfinu.

## Fjarstýring

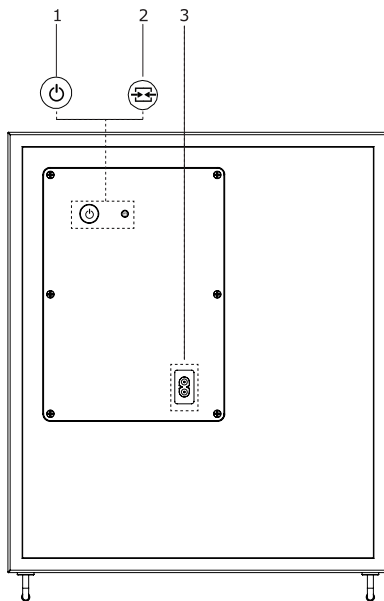




Nr.	Stjórnborð	Virgni
1		Til að skipta á milli mismunandi hljóðsniðs.
2		til að spila/pása með tengdum Bluetooth tækjum.
3		Til að skipta yfir á síðasta lag/sjónvarpsstöð/FM stöð.*
4		Til að kveikja á sjónvarpinu: Ef kveikt er á sjónvarpinu, skiptir þessi hnappur á milli tenginga (source).*
5		Til að kveikja og slökkva á bæði sjónvarpi og hljóðkerfi.*
6		Tenging. Kveikir á hljóðkerfinu. Ef kveikt er á hljóðkerfinu skiptir þessi hnappur á milli tenginga (source) í hljóðkerfinu.
7		Til að skipta yfir í næsta lag/sjónvarpsstöð/FM stöð.*
8		Til að slökkva og kveikja á hljóðinu.
9	+ VOL -	Til að hækka og lækka hljóðið.

\*Þessi virgni er einungis tryggð með eftirfarandi UPPLEVA tækjum (tilgreint í númerum):

402-565-98, 802-662-13, 202-565-99, 502-662-19, 802-566-00, 102-662-16, 602-566-01, 002-662-12, 002-565-81, 302-662-15, 602-565-78, 902-662-17.

## Bassahátalari



Nr.	Tæki	Hlutverk
1		Til að slökkva og kveikja á bassahátalaranum.
2		Stillir bassahátalarann við sjónvarpshátalarann.
3	AC IN	Til að tengja rafmagnssnúruna við rafmagnsinnstunguna.

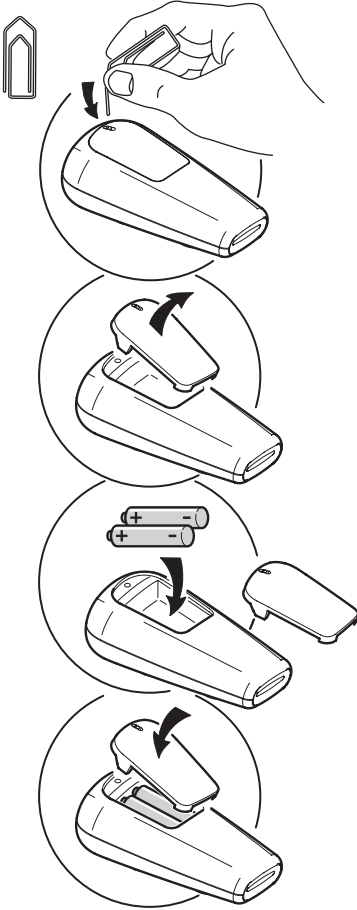
### 3 Undirbúningur

#### Undirbúa fjarstýringuna

Setjið tvær LR03 (AAA) rafhlöður með réttum pólum (+/-) eisu og sýnt er á fjarstýringunni.

Athugasemdir:

- Ef þið ætlið ekki að nota fjarstýringuna lengi fjarlægjið rafhlöðurnar.
- Ekki blanda saman nýjum eða mismunandi tegundum af rafhlöðum.
- Haldið rafhlöðum fjarri hita, sólskini eða eldi.

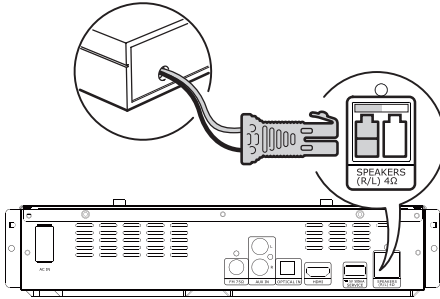


#### 4 Tenging

Breytið hljóðkerfinu á þennan hátt.

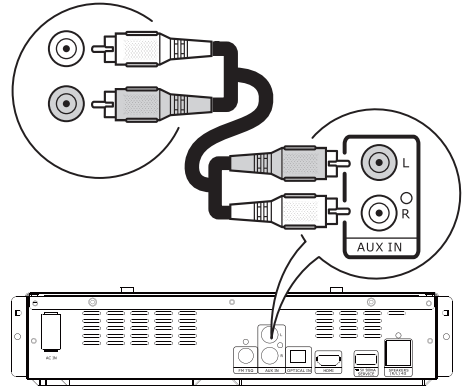
#### Hægri hátalarinn tengdur

Tengið rauðu hátalarnúruna úr hægri hátalaranum við rauðu hátalarana (SPEAKERS (R/L)) 4Ω innstunguna aftan á.

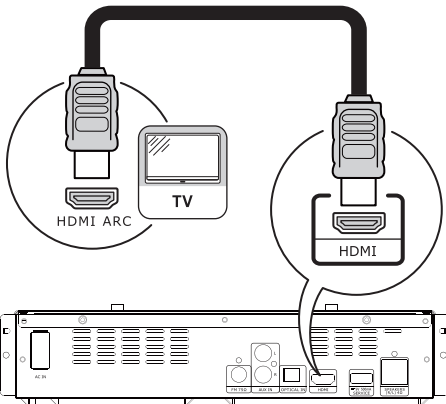


#### Tengja hliðrænan útgang eða búnað

Tengja hliðrænan hljóðútgang við sjónvarpið eða annan búnað eða hliðstæðan búnað.



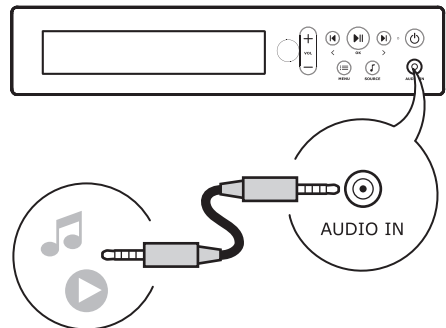
#### Tengst sjónvarpi



Tengið hljóðkerfið við UPPLEVA sjónvarpið með því að nota HDMI-snúru og HDMI ARC-innstunguna á sjónvarpinu. Ef þið viljið tengja hljóðkerfið við annað sjónvarp, mælum við með því að þið notið HDMI ARC eða OPTICAL innstungur. Eftir tengingu þarf að ýta á SOURCE-hnappinn á fjarstýringunni til að skipta yfir í sjónvarpsham.

Tengið hljóðsnúruna úr AUX IN tengjunum í hljóðkerfinu við AUDIO OUT-stungurnar á sjónvarpinu eða hinum búnaðinum. Eftir tenginguna ýtið á SOURCE-hnappinn á fjarstýringunni til að skipta yfir í Aux In-mode.

#### Tenging við fjölmiðlabúnað



Tengið færanlegan hljóðbúnað, t.d. MP3-spilara eða geislaspilara, í innstunguna (AUDIO IN). Eftir að hafa tengst ýtið á SOURCE-hnappinn á fjarstýringunni til að skipta yfir í Audio í Mode.

### **Samstillt við bassahátalarann**

Bassahátalarinn er þegar stilltur á þrãðlaust samband við hljóðmerkið þegar hljóðkerfið er keypt. Samstillingin er aðeins nauðsynleg í þau fáu skipti þegar sambandið rofnar. Til að stilla bassahátalarann við sjónvarpshátalarann þarf að fylgja þessum skrefum:

1. Gætið þess að bæði sé kveikt á sjónvarpshátalaranum og bassahátalaranum. Ljósið á bassahátalaranum blikkar rólega.
2. Ýtið á samstillingarhnappinn (pairing) aftan á bassahátalaranum í um það bil 6 sekúndur. Ljósið fyrir framan bassahátalarann byrjar að blikka hraðar.
3. Farið inn í aðalvalmyndina (MENU) fyrir hljóðkerfið og veljið PAIR. Skjárinn með stjórnborðinu fyrir sjónvarpshátalarann ("sound bar") mun sýna skilaboðin samstilling ("pairing"). Að þörun lokinni verður áfram gaumljós á bassahátalaranum.

Kveikið á bassahátalaranum til að slökkva á honum tímabundið. Ljósið framan á bassahátalaranum slökknar.

## 5 Að nota hljóðkerfið

Þessi kafli hjálpar þér að nota hljóðkerfið til að spila efni frá mismunandi miðlum. r ýmsum áttum. Gætið að nauðsynlegum tengingum áður en þið byrjið.

### Sjónvarp

Ef sjónvarpið er með HDMI ARC tengi getur hljóðkerfið spilað hljóð úr sjónvarpinu. Til að gera það etta snúðið hljóðkerfislykilinum á fjarstýringunni þar til Sjónvarp er valið.

### FM útvarp

Til að leita að útvarpsstöðvum og geyma í minni, þarf að fylgja eftirfarandi skrefum.

1. Setja FM loftnetið upp á hentugum stað og tengja það við FM loftnetstengið. Ýtið á SOURCE á hljóðkerfinu, snúði á FM.
2. Ýtið á MENU í hljóðkerfinu til að slá inn valmöguleika í aðalvalmynd. Notið </> til að velja FM INSTALL og Ýtið á OK. Tiltækar stöðvar geymast sjálfkrafa. Ýtið á MENU á hátalaranum til að vista stöðvarnar. Notið **◀**, **▶** hnappana að skipta á milli stöðva.

Til að handvelja stöðvarnar veljið þessi skref.

1. Ýtið á SOURCE í hljóðkerfinu og snúði á FM.
2. Ýtið á AÐALVALMYND (MENU) í hljóðkerfinu til að slá inn valmöguleikana þar. Notið </> til að velja FM MANUAL TUNE og ýtið áss OK. Notið </> til að fínstillta tíðnina með 0.05MHz skrefum. Ýtið á OK til að vista nýja tíðni. Veljið nýtt stövanúmer með </> og ýtið á OK.

Til að eyða geymdum stöðvum fylgið þessum skrefum.

1. Ýtið á SOURCE í hljóðkerfinu og snúði á FM. Notið <> til að velja stöðina sem á að eyða.
2. Ýtið á AÐALVALMYND (MENU) í hljóðkerfinu til að slá inn valmöguleikana þar. Notið </> til að velja FM DELETE og ýtið á OK. Skiptið á stöðvarnar sem þið viljið eyða og ýtið á OK. Ýtið á MENU til að fara aftur í FM.

Til að velja eftirlætis birtingarhaminn á skjánum í hljóðkerfinu veljið þessi skref.

1. Ýtið á SOURCE í hljóðkerfinu og snúði á FM.

2. Ýtið á AÐALVALMYND (MENU) í hljóðkerfinu til að slá inn valmöguleikana þar. Notið </> til að velja INFO og ýtið á OK. Notið </> til að velja þann birtingarham sem þið kjósið og ýtið á OK til að staðfesta.
  - INFO<FREQ> sýnir tíðnirásina.
  - INFO<RDS> sýnir textann frá útvarpsgagnakerfinu (þegar það er tiltækt).
  - INFO<RADIO-TEXT> sýnir útvarpstextann (þegar hann er tiltækur).

### Bluetooth

Allir Bluetooth símar, spjaldtölvur og annar miðlunarbúnaður eru samhæfð UPPLEVA hljóðkerfinu\*. Þegar miðlunarbúnaðurinn hefur verið samstilltur hljóðkerfinu, tengist hann sjálfkrafa hljóðkerfinu þegar BLUETOOTH er valið sem upprunasvæði aftur. Hljóðkerfið getur verið samstillt 8 tækjum en verður aðeins sýnilegt búnaðinum sem það tengdist fyrst. Fylgið þessum skrefum til að tengja saman, nota og aftengja Bluetooth.

Til að samstillta miðlunarbúnað.

1. Ýtið á hnappinn á fjartstýringunni fyrir upprunasvæðið í hljóðkerfinu og snúði á BLUETOOTH. Ef enginn búnaður er tengdur, sést á skjánum Bluetooth Wait.
2. Stillið á Bluetooth á miðlunarbúnaðinum. Tengist hljóðkerfinu með því að tengjast "UPPLEVA". Þegar þið eruð tengd sést á skjánum Bluetooth Ready.
3. Notið Use **◀**, **▶**, **▶▶** og **+ VOL ->** hnappana til að stjórna tónlistinni sem er spiluð.

Til að velja eftirlætis birtingarhaminn.

1. Ýtið á SOURCE í hljóðkerfinu og snúði á BLUETOOTH.
2. Ýtið á AÐALVALMYND (MENU) á hljóðkerfinu til að slá inn aðalvalmyndarmöguleikana. Notið </> til að velja INFO og ýtið á OK. Notið </> til að velja birtingarham og ýtið á OK til að staðfesta. Ýtið á MENU til að klára.
  - ID3 sýnir heitið í efstu röðinni og listamanninn og alúmið í neðstu röðinni.
  - TIME sýnir textann BLUETOOTH í efstu röðinni og tímann í neðstu röðinni.
  - INFO<OFF> dekki skjáinn eftir 15 sekúndur ef ekkert kemur inn.

\*Að því tilskildu að það sé samhæfanlegt Bluetooth v2.1+EDR eða hærra.

Til að aftengja miðlunarbúnað.

1.Ýtið á SOURCE á hljóðkerfinu og snúið á BLUETOOTH.

2.Ýtið á AÐALVALMYND

(MENU) á hljóðkerfinu til að slá aðalvalmyndarmöguleikana. Notið </> og OK hnappinn til að velja FORCE UNLINK.


*Athugið: force unlink er nauðsynlegt ef hljóðkerfið er tengt fleiri en 8 mismunandi tækjum.*

Til að aftengja miðlunarbúnað.

Slökkvið á Bluetooth á Bluetooth-búnaðinum eða einfaldlega afstillið það við UPPLEVA til að aftengjast.


### Að velja hljóðsnið

Hægt er að velja milli mismunandi hljóðsniða til að bæta hljóðupplifunina.

Ýtið á  á fjarstýringunni til að velja milli Standard, Tónlist, Fréttir, Kvikmyndir og Persónulegt snið. Hljóðsniðið heyrir greinilega eftir nokkrar sekúndur.

Til að setja upp Persónulegt snið.

Í persónulega hættinum getið þið stillt styrk bassa, hárra tóna (treble) og WIDE (surround sound) að eigin óskum. Fylgið þessum skrefum til að stilla Persónulegt snið.

1.Ýtið á s  á fjarstýringunni og snúið á Persónulegt snið.

2.Bassastyrkur: Ýtið á MENU á hljóðkerfinu til að slá inn aðalvalmyndarmöguleika. Notið </> til að velja bassa (BASS) og ýtið á OK. Notið </> til að velja á kvarðanum frá -8 til 8 og ýtið á OK til að staðfesta. Ýtið á MENU til að klára. Því meiri styrk sem þú velur, því öflugra verður bassahljóðið.

3.TREBLE: Ýtið á MENU á hljóðkerfinu til að slá inn aðalvalmyndarmöguleikana. Notið </> til að velja TREBLE og ýtið á OK. Notið </> til að velja á kvarðanum -6 til 6 og ýtið á OK til að staðfesta. Því meiri styrk sem þið veljið því öflugri verður styrkur háu tónanna.

## 6 Stillingar

### Hljóðstillingar

Til að fá surround hljóð er hægt að stilla á WIDE:

1. Ýtið á AÐALVALMYND (MENU) á hljóðkerfinu til að slá inn aðalvalmyndarmöguleikana. Notið </> til að velja WIDE og ýtið á. Notið > hnappinn til að stilla á On og ýtið á OK til að staðfesta. Ýtið á MENU til að klára.

Bassahátalarann má stilla til að það henti ykkar óskum.

1. Ýtið á AÐALVALMYND (MENU) á hljóðkerfinu til að slá inn aðalvalmyndarmöguleikana. Notið </> til að velja SUB og ýtið á OK. Notið </> til að velja á kvarðanum frá -9 til 0 og ýtið á OK til að staðfesta. Ýtið á MENU til að klára. Því hærra sem gildið er því sterkari verður bassinn.

### Stilling á skjábirtnu

Skjábirtnuna má stilla til að henta mismunandi umhverfi eða óskum. Fylgið þessum skrefum til að breyta birtnunni.

1. Ýtið á AÐALVALMYND (MENU) á hljóðkerfinu til að slá inn aðalvalmyndarmöguleikana. Notið </> til að velja BRIGHTNESS og ýtið á OK.  
2. Notið </> hnappana til að velja Off, low, AUTO eða High og ýtið á OK til að staðfesta. Ýtið á MENU til að klára. High og Low-stillingarnar veita mikla og litla skjábirtnu meðan sjálfvirka stillingin dofna eftir 15 sekúndna notkunarleysi. Off stillingin hreinsar allar skjáupplýsingar af skjánum og einfaldar útlit hans. Aðeins hljóðstyrkshnappurinn er þá sjáanlegur. Allar aðgerðir sjást á skjánum í 15 sekúndur.

### Breytið biðtímanum

Til að spara orku fer hljóðkerfið sjálfkrafa í biðstöðu ef ekkert hljóð er leikið. Fylgið þessum skrefum til að stilla tímann áður en það fer í biðstöðu. Veljið OFF til að hindra að kerfið fari sjálfkrafa í biðham.

1. Ýtið á aðalvalmynd á hljóðkerfisstrikinu til að slá in aðalvalmyndarmöguleikana. Notið </> til að selja AUTO STANDBY og ýtið á OK.  
2. Notið </> til að velja tímann og ýtið á OK til að staðfesta. Ýtið á MENU til að klára.

### UPPLEVA TV

Við mælum með því að þú stillir á eftirfarandi hátt ef þú ert með annað sjónvarp (ekki UPPLEVA\*) tengt við HDMI við UPPLEVA hljóðkerfið. Stillingin lætur sjónvarpið og UPPLEVA hljóðkerfið virka á besta mögulega hátt saman.

Fylgið þessum skrefum til að setja það upp.

1. Ýtið á aðalvalmynd í hljóðkerfinu, snúið á UPPLEVA TV og ýtið á OK.

2. Veljið Nei ef þið eruð ekki með UPPLEVA sjónvarp\*.

Stillingin "Nei" kemur í veg fyrir að hljóðkerfið ryðji sér leið í sjónvarpinu þínu sem virkt upprunasvæði þegar kveikt er á því.

Nauðsynlegt er að nota stillinguna "já" fyrir UPPLEVA sjónvörp.\*

Þið getið breytt stillingunni aftur ef þið viljið nota UPPLEVA hljóðkerfið með UPPLEVA sjónvarpi\* seinna.

Fylgið þessum skrefum til að setja það upp.

1. Ýtið á MENU á hljóðkerfinu, snúið á UPPLEVA TV og ýtið á OK.

2. Veljið já Yes ef þið eruð með UPPLEVA sjónvarp\*, snúið á UPPLEVA TV og ýtið á OK.

\*Gildir aðeins um þessi UPPLEVA sjónvörp (tilgreint í númerum):

402-565-98, 802-662-13, 202-565-99, 502-662-19, 802-566-00, 102-662-16, 602-566-01, 002-662-12, 002-565-81, 302-662-15, 602-565-78, 902-662-17.

### Endurstilla á sjálfgefna stillingar

Fylgið þessum skrefum til að endurstilla hljóðkerfið á sjálfgefna stillingar.

1. Ýtið á AÐALVALMYND (MENU) á hljóðkerfinu til að slá inn aðalvalmyndarmöguleikana. Notið </> til að velja ENDURSTILLA og ýtið á OK. Textinn viðvörðun sést á skjánum. Ýtið á OK.  
2. Notið </> til að velja Já eða Nei. Já endurstillir hljóðkerfið á verksmiðjustillingar og Nei fer með ykkur aftur í aðalvalmyndarmöguleikana

## 7 Tæknilegar upplýsingar

### Helstu aðgerðir

- FM útvarp / Bluetooth / Audio in /Aux in / Optical in /HDMI
- Tegund hátalara: 2.1 Stereo+bassahátalari
- HDMI kerfi:
- HDMI CEC 1.4, ARC, System Audio control, Remote Pass Through, OneTouchStandby, One touch play
- FM aðgerðir: RDS, Radio-text (PS, RT)
- Hljóðsnið: 5 forval, bassi og háir tónar (treble)
- Surround hljóð: Virtual Surround
- Sjálfvirkur biðhamur

### Tengingar fyrir hljóð

- HDMI + CEC/ARC
- Digital in: Optical
- AUX in L/R: cinch
- Front audio in: 3,5 mm
- FM loftnet: 75 ohm

### Studd stafræn hljóðsnið

- Dolby digital / PCM
- Sample rate 32kHz/44.1kHz/48kHz

### Bluetooth

- Samþætтанlegt 2.1+EDR eða hærra
- Codec stuðningur: SBC, A2DP 1.2, AVRCP 1.4
- Sjálfvirk pairing: allt að 8 tæki
- Sjálfvirk A2DP tenging
- ID3 upplýsingar: Titill/listamaður/plata
- Leikjastjórnun: Play/pause, Next/previous, Fwd/Frew

### Þjónusta

- SERVICE USB portið er aðeins notað til að uppfæra hugbúnaðinn.

#### Athugið:

*Ekki taka rafmagnið af og fjarlægja USB-búnaðinn þegar hugbúnaður er uppfærður.*

### Aðaltæki

- Aflgjafi: 220-240V 50/60Hz
- Orkunotkun í biðham: <0.5W
- Metin orkunotkun sjónvarpshátalara: 30W
- Metin orkunotkun bassahátalara: 20W
- Orkunotkun bassahátalara í biðham: <0.5W
- Orkunotkun bassahátalara í tengdum biðham: <2.0W
- Vinnsluhiti: 5°C - 35°C
- Vnnsaluraki: Innan við 80% (engin þétting)

### Magnari

- Heildarafl: 100W RMS (1% THD)
- Tíðnisvörðun: 40 Hz-20 kHz
- Inntaksnæmni: AUX IN: 2 V AUDIO IN: 1 V

### Útvarp

- Stillisvið: FM 87.5-108 MHz (50 kHz)
- Suðhlutfall: FM 50 dB

## 8 Lausnaleit

Vinsamlega skoðið listann hér að neðan ef einhver vandamál koma upp við notkun tækisins. Ef það leysir ekki vandann, vinsamlega hafið þá samband við þjónustuver IKEA í síma 520 2500.

Vandamál	Lausn
Engin viðbrögð við fjarstýringunni.	Gætið þess að fjarstýringunni sé beint í áttina að hljóðkerfinu.
	Athugið hvort rafhlöðurnar hafi verið settar inn rétt.
	Gáið hvort rafhlöðurnar eru tómar og þurfi að fá nýjar í staðinn.
Léleg FM mottaka	Gætið þess að FM-loftið sé tengt rétt sett upp. Notið annaðhvort utanhúss FM-loftnet eða FM kapaltengis.
Í Ekki hægt að nota Bluetooth.	Gætið þess að síminn, spjaldtölvan eða annar miðlunarbúnaður styðji Bluetooth.
	Gætið þess að tengja í rétta IKEA-búnaðinn sem heitir UPPLEVA.
	Gætið þess að síminn, spjaldtölvan eða annað tæki séu rétt tengd saman og að kveikt sé á bluetooth virkninni.
	Gætið þess að enginn annar Bluetooth-búnaður í herberginu sé samstilltur. Ef annar Bluetooth-búnaður er samstilltur slökkið þá á bluetooth-virkninni í þeim únaði.
Léleg hljóðgæði við afspilun gegnum Bluetooth.	Bluetooth móttaka er léleg. Færið búnaðinn nær hljóðkerfinu eða fjarlægjið hindranir milli búnaðarins og hljóðkerfisins. Takið eftir: Bluetooth móttakan virkar yfirleitt í allt að 6-8 metra fjarlægð á hindrunarlausri leið. Þegar hlutir, húsgögn eða veggir eru á milli minnkar fjarlægðin. Líka þegar búnaðurinn er settur í vasa í fótum eða í tösku, getur fjarlægðin minnkað.
Ekkert hljóð úr sjónvarpinu.	Gætið þess að hljóðkerfið sé tengt við sjónvarpið gegnum HDMI ARC tengið á sjónvarpinu
	Gætið þess að kveikt sé á T-link virkninni í UPPLEVA sjónvarpinu.
Ekkert hljóð úr hljóðkerfinu.	Gætið þess að hljóðkerfið sé tengt við rafmagn.
	Gætið þess að kveikt sé á hljóðkerfinu.
	Gætið þess að kaplarnir séu tengdir og ekki bilaðir.
	Gætið þess að bæði hægri og vinstri hátalari séu tengdir.
	Gætið þess að ekki sé stillt á hljóðlaust eða hljóðið stillt á 0.
	Gætið þess að rétta upprunasvæðið sé valið.
Sjónvarpsskjárin verður svartur þegar kveikt er á sönvarpinu.	Make sure you have chosen if you have an UPPLEVA TV* or not in the UPPLEVA TV setting, see Chapter 6 Settings / UPPLEVA TV. Gildir aðeins um þessi UPPLEVA sjónvörp: 402-565-98, 802-662-13, 202-565-99, 502-662-19, 802-566-00, 102-662-16, 602-566-01, 002-662-12, 002-565-81, 302-662-15, 602-565-78, 902-662-17.

**Athugið! Ef vandamálið leysist ekki með ofangreindum ráðum ætti að prófa að taka hljóðkerfið úr sambandi í 1 mínútu. Í fágætum tilfellum gæti kerfið þurft á uppfærslu að halda. Hafið samband við þjónustuver IKEA í síma 520 2500 til að fá frekari upplýsingar.**

## 9 Orðalisti

### ARC

Audio Return Channel er tækni sem notuð er fyrir HDMI tengi í sjónvörpum og hljóðkerfum. ARC leiðir hljóðið úr myndinni í gegnum HDMI snúrana í hljóðkerfið. Það kemur í veg fyrir þörfina á því að setja upp aukasnúru fyrir hljóðið.

### Digital Audio

Digital Audio er hljóðmerki sem hefur breytt í talnagildi. Stafrænt hljóð má senda gegnum margar rásir. Analogue hljóð er bara hægt að senda gegnum tvær rásir.

### Dolby® Digital

Kerfið þjappar saman stafrænu hljóði sem Dolby Laboratories hafa þróað. Það býður upp á víðóma hljóm (2ch) eða margrásu hljóð.

### HDCP

HDCP vörn. Þessi möguleiki veitir trygga útsendingu á stafrænu efni milli ólíks búnaðar (til að koma fyrir óleyfilegan höfundarrétt).

### HDMI®

HDMI er háhraða stafræn tenging sem getur setn óþjappaða háskerpumynd og stafrænt, margrásu hljóð. Það skilar miklum gæðum í mynd og hljóði. HDMI er alveg samhæfanlegt DVI. Eins og HDMI-staðlar krefjast, skilar tenging við HDMI eða DVI-vörur án HDCP engri mynd eða hljóði.)

### HDMI-CEC

HDMI tengingin veitir sameinaða stjórnun sjónvarps og hljóðkerfis í gegnum HDMI CEC merki. Þú getur notað eina fjarstýringu til að stjórna báðum tækjum. T.d. breyta hljóðstyrk, leita að tengingu, kveikja og slökkva á báðum tækjum og skipta um stöðvar.

### MP3

Skráarsnið með hljóðgögnum í samþjöppuðu kerfi. MP3 er skammstöfun á Motion Picture Experts Group 1 (eða MPEG-1) Audio Layer 3. Með MP3-sniði, getur einn CD-R geisladiskur or CD- RW geisladiskur innihaldið meira en tífalt meira gagnamagn en venjulegur geisladiskur.

### PCM

Pulse Code Modulation. Stafrænt hljóðkóðunarkerfi.

## 10 Hafið samband við IKEA

Ef þið einhverjar spurningar um nýja UPPLEVA sjónvarpið eða hljóðkerfið eða þurfið þjónustu eða aðstoð, hafið samband við viðskiptamannaþjónustu IKEA Á [www.IKEA.com](http://www.IKEA.com). Þar getið þið fengið bestu mögulegu aðstoð, lesið handbókina vandlega áður en þið hafið samband við okkur. Og hafið vörunúmerið tilbúið þegar þið hringið. Þið finnið þetta 8 stafa númer á kvittuninni eða aftan á UPPLEVA sjónvarpinu eða hljóðkerfinu.

## 11 SAMRÆMISYFIRLÝSING ÞÝÐINGAR

Þessi vara uppfyllir ákvæði CE merkinga fyrir sjónvarpstæki í samræmi við eftirfarandi tilskipanir:

- Tilskipun um rafþöng innan ákveðinna spennumarka 2006/95/EC
- Tilskipun um rafsegulsamhæfi 2004/108/EC
- Tilskipun um takmörkun tiltekinna efna í raftækjum 2011/65/EU
- Tilskipun um visthönnun 2009/125/EC
- Tilskipun um þráðlausan búnað og endabúnað til fjarskipta 1999/5/EC

**Tegund raftækis:** Hjóðkerfi  
**Vörunerki:** IKEA  
**Auðkennisflokkur:** Hjóðkerfi: MFE, MFC  
 Þráðlaust bassabox: SFE, SFC  
**Framleiðandi:** IKEA of Sweden AB  
**Heimilisfang:** Box 702, SE-343 81 Älmhult, SWEDEN  
**Símanúmer:** +46(0)476-81000

Eftirfarandi samræmdum Evrópustöðlum eða tækniforskrift, sem eru í samræmi við góðar verkfræðilegar starfsvenjur í öryggismálum innan EES, hefur verið beitt.

### Öryggi

EN 60065: 2002 (Sjöunda útgáfa) + A1: 2006 + A11: 2008 + A2: 2010 + A12: 2011

### Rafsegulsamhæfi (EMC)

EN61000-3-2:2006+A1:2009+A2:2009  
 EN61000-3-3:2008  
 EN62479:2010  
 EN55013:2001+A1:2003+A2:2006  
 EN55020:2007+A11:2011

### Þráðlaus búnaður og endabúnaður til fjarskipta (R&TTE)

ETSI EN300 328 V1.8.1: 2012  
 ETSI EN300440-1 V1.6.1:2010  
 ETSI EN300440-2 V1.4.1:2010  
 ETSI EN301489-1 V1.9.2:2011  
 ETSI EN301489-17 V2.2.1:2012  
 ETSI EN301489-3 V1.4.1:2002

### Visthönnun (ERP)

Reglugerð 642/2009

Viðbótarupplýsingar

Varan er CE merkt 2014.

Vöruprófanir eru í samræmi við vörulýsingu frá IKEA.

Sem viðurkenndur/ir fulltrúar framleiðanda innan EES, lýsum við yfir ábyrgð okkar á að tækið uppfylli ákvæði þeirra tilskipana sem nefndar eru hér að ofan.

Dagsetning 18.08.14

**Innhold**

<b>1 Viktig .....</b>	<b>107</b>
Sikkerhet og viktige anmerkninger .....	107
Behandling av gamle produkter og batterier .....	107
Varsel om Copyright .....	108
Varemerkeanmerkning .....	108
<b>2 Produktoversikt .....</b>	<b>109</b>
Lydanlegg-panel .....	109
Bakpanel .....	110
Fjernkontroll .....	111
Subwoofer .....	112
<b>3 Preparation .....</b>	<b>113</b>
Forbered fjernkontrollen .....	113
<b>4 Tilkobling .....</b>	<b>114</b>
Tilkobling av høyre høyttaler .....	114
Koble til TV .....	114
Koble til analog kilde eller enhet .....	114
Koble til medieenheter .....	114
Sammenkobling av subwoofer .....	115
<b>5 Bruke lydanlegget .....</b>	<b>116</b>
TV .....	116
FM radio .....	116
Bluetooth .....	116
Velg lydmodus .....	117
<b>6 Innstillinger .....</b>	<b>118</b>
Lydinnstillinger .....	118
Lysstyrke på panel .....	118
Endre standby-tid .....	118
UPPLEVA TV .....	118
Tilbakestilling til standardinnstillinger .....	118
<b>7 Spesifikasjoner .....</b>	<b>119</b>
<b>8 Feilsøking .....</b>	<b>120</b>
<b>9 Ordliste .....</b>	<b>121</b>
<b>10 Kontakt IKEA .....</b>	<b>121</b>
<b>11 SAMSVARSERKLÆRING OVERSETTELSE .....</b>	<b>122</b>

## 1 Viktig

### Sikkerhet og viktige anmerkninger

#### Advarsel:

- Fare for overoppheting! Installer aldri produktet på et avgrenset område. La det være minst 5 mm rundt produktet for ventilasjon. Kontroller at gardiner eller annet ikke dekker ventilasjonsåpningene på produktet.
- Ikke plasser produktet, fjernkontrollen eller batteriene nær åpen flamme eller andre varmekilder, inkludert direkte sollys.
- Bruk kun dette produktet innendørs. Apparatet skal ikke utsettes for drypp eller sprut, og ingen gjenstander fylt med væske, for eksempel vaser, må plasseres på apparatet.
- Plasser aldri produktet på annet elektrisk utstyr.
- Strømuttak eller apparat som brukes som frakoblingsenhet, frakoblingsenheten må hele tiden være klar til bruk.
- Batterier (batteripakke eller installerte batterier) skal ikke utsettes for sterk varme, som sol, brann eller lignende.

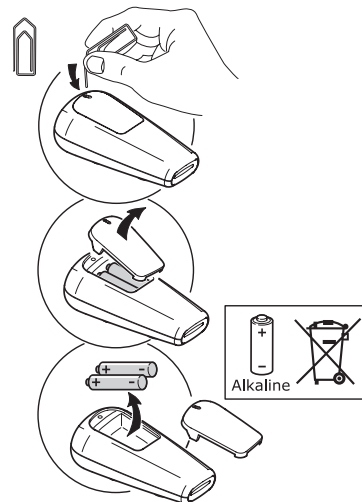
Dette produktet og medfølgende tilbehør er merket med «CE» og oppfyller derfor gjeldende europeiske standarder: lavspenningsdirektivet 2006/95/EF, EMC-direktiv 2004/108 / EF, ERP-direktiv 2009/125/EF.



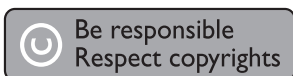
### Behandling av gamle produkter og batterier



Søppeldunk-symbolet med et kryss over angir at elementet skal kastes og sorteres separat fra husholdningsavfall. Elementet skal leveres inn til gjenvinning i henhold til lokale miljøkrav for avfallshåndtering. Ved å skille et slikt element fra husholdningsavfall, vil du bidra til å redusere avfallsmengden som sendes til forbrenningsanlegg og minimalisere eventuelle negative innvirkninger på miljø og menneskers helse. For mer informasjon, vennligst ta kontakt med et IKEA-varehus.



## Varsel om Copyright



Dette produktet innebærer en opphavsrett som beskyttes av U.S.A. Patenter og andre immaterielle eiendomsrettigheter innunder Rovi Corporation. Det er ikke lov til å utføre omvendt konstruksjon av produktet eller montere den fra hverandre.

## Varemerkeanmerkning



HDMI, HDMI-logoen og High-Definition Multimedia Interface er varemerker eller registrerte varemerker innunder HDMI Licensing LLC i USA og andre land.



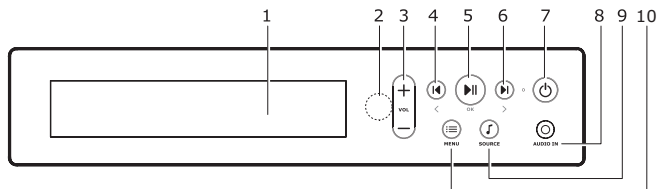
Dolby og dobbel-D symbolet er registrerte varemerker av Dolby



Bluetooth logoer er registrerte varemerker som eies av Bluetooth SIG, Inc. og bruk av disse logoene av IKEA er lisensiert. Andre varemerker og handelsnavn tilhører sine respektive eiere.

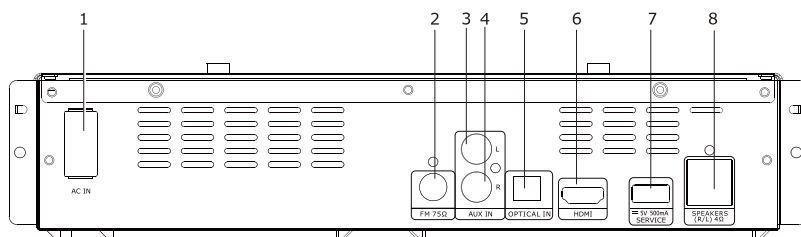
## 2 Produktoversikt

### Lydanlegg-panel



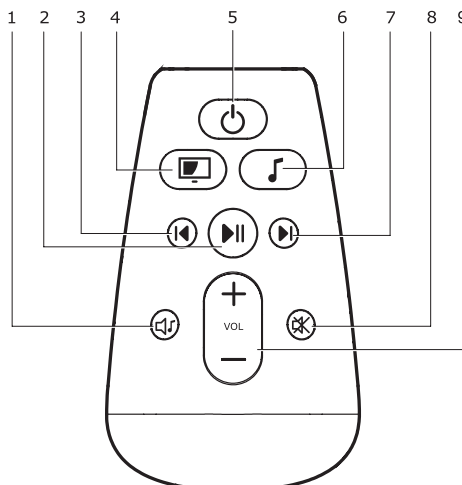
Nr.	Kontroll	Funksjon
1	Skjermpanel	Viser informasjon om hva anlegget spiller av.
2	IR-sensor	Pek fjernkontrollen mot IR-sensor (infrarød sensor).
3	VOL +  VOL -	Skrur lydnivået høyere. Trykk en gang for å skru lydnivået opp ett hakk. Trykk og hold inne knappen for å skru opp lydnivået kontinuerlig.  Skrur lydnivået lavere. Trykk en gang for å skru lydnivået ned ett hakk. Trykk og hold inne knappen for å skru ned lydnivået kontinuerlig.
4	◀  <	Bytt til forrige spor eller FM-kanal.  Naviger bakover i menyen.
5	▶    OK	Spill/Pause.  Trykk OK i menyen.
6	▶  >	Bytt til neste spor eller FM-kanal.  Naviger fremover i menyen.
7	⏻	Trykk for å skru strøm på/av.
8	AUDIO IN	For å koble til en lydavspillingsenhet, for eksempel en MP3-spiller, en mobiltelefon eller CD-spiller.
9	SOURCE	Trykk for å endre kilde.
10	MENU	Trykk for å gå inn og ut av menyen og innstillingene.

## Bakpanel



Nr.	Kontroll	Funksjon
1	AC IN	For å koble til strømledningen for strømforsyning.
2	FM 75Ω	For å koble antennen til FM-radiomottak.
3	AUX IN L	For å koble venstre kanal på en analog enhet, for eksempel en CD-spiller eller mediespiller, til ditt UPPLEVA lydanlegg.
4	AUX IN R	For å koble høyre kanal på en analog enhet, for eksempel en CD-spiller eller mediespiller, til ditt UPPLEVA lydanlegg.
5	OPTICAL IN	Hvis du vil koble til en optisk lydkilde på TV-en eller en digital enhet.
6	HDMI	For å koble til HDMI-ARC-inngangen på TV-en.
7	SERVICE	Kun for servicebruk.
8	SPEAKERS (R/L) 4Ω	For å koble til den høyre høyttaleren av ditt UPPLEVA lydanlegg.

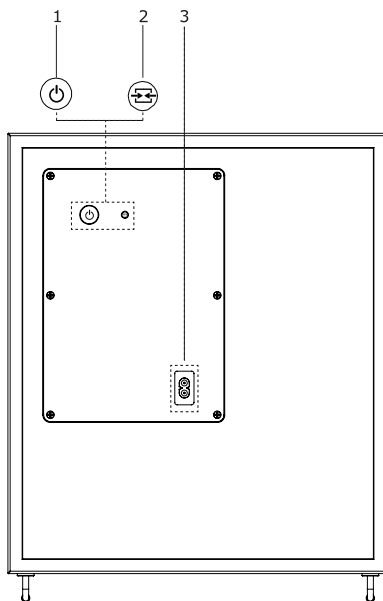
## Fjernkontroll



Nr.	Kontroll	Funksjon
1		Endringer mellom forskjellige lydmoduser.
2		Play/Pause med tilkoblede Bluetooth-enheter.
3		Går til forrige spor/TV-kanal/FM-kanal.*
4		Skrur TV på. Hvis TV-en er på, vil dette endre TV-kilden.*
5		Strøm Av eller På. Skrur lydanlegg og TV på og av.*
6		SOURCE-knapp. Skrur lydssystemet på. Hvis lydssystemet er på, vil dette endre lydssystemets kilde.
7		Går til neste spor/TV-kanal/FM-kanal.*
8		Demper eller opphever demping av lydssystem.
9	+ VOL -	Skrur volumet opp eller ned.

\*Disse funksjonene er kun garantert å fungere med følgende UPPLEVA-TV'er (oppgitt i artikkelnummer) :

402-565-98, 802-662-13, 202-565-99, 502-662-19, 802-566-00, 102-662-16,  
602-566-01, 002-662-12, 002-565-81, 302-662-15, 602-565-78, 902-662-17.

**Subwoofer**

Nr.	Kontroll	Funksjon
1	⏻	Strøm Av eller På. Skrur subwoofer av og på.
2	🔊	For sammenkobling av subwoofer med sound bar.
3	AC IN	For tilkobling av strømledning for strømforsyning.

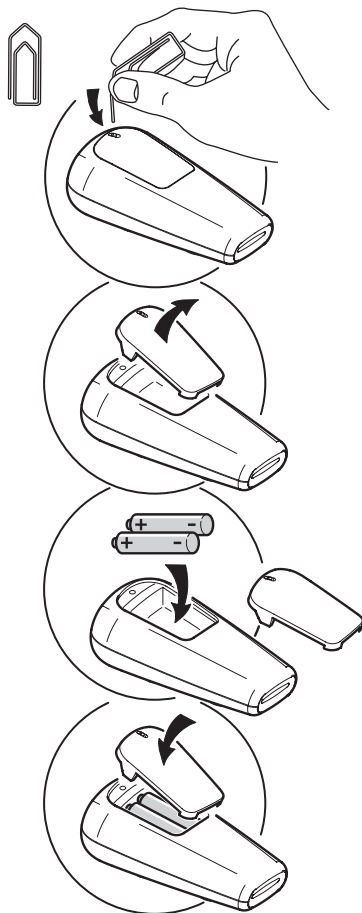
### 3 Preparation

#### Forbered fjernkontrollen

Sett inn to LR03 (AAA) batterier med riktig polaritet (+/-) som angitt på fjernkontrollen.

#### Merknader:

- Hvis du ikke skal bruke fjernkontrollen over lengre tid, ta ut batteriene.
- Ikke bland gamle og nye eller forskjellige typer batterier.
- Hold batteriene unna varme, sollys eller flammer.

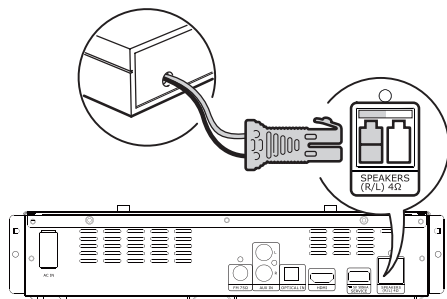


#### 4 Tilkobling

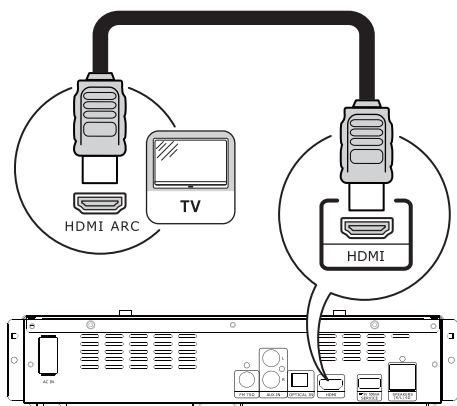
Tilkobling av lydsystemet gjøres på følgende måter.

##### Tilkobling av høyre høyttaler

Koble rød høyttaler kabel fra høyre høyttaler til de røde SPEAKERS (R/L) 4Ω kontakt på baksiden av sound baren.



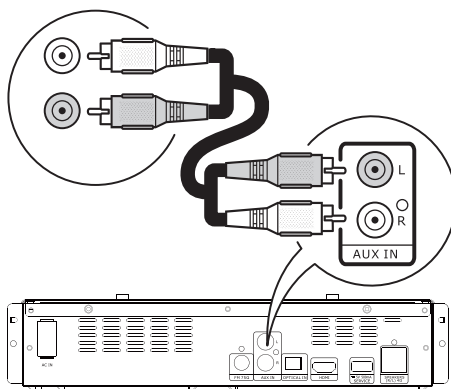
##### Koble til TV



Koble lydsystemet til en UPPLEVA TV ved hjelp av en HDMI-kabel og HDMI-ARC-kontakten på TV-en. Hvis du vil koble lydsystemet til en annen TV, anbefaler vi at du bruker HDMI ARC eller OPTICAL stikkontakter. Etter tilkobling, trykk på SOURCE-knappen på fjernkontrollen for å bytte til TV-modus.

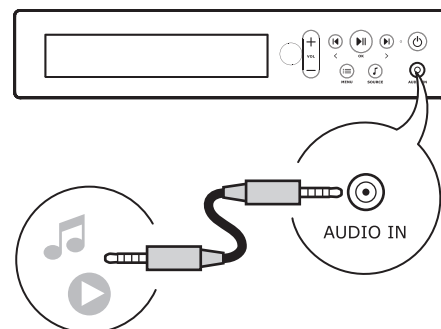
##### Koble til analog kilde eller enhet

Koble til en analog lydkilde på TV-en eller annen enhet, eller til en analog enhet.



Koble lydkabelen fra AUX IN-kontaktene på lydsystemet til AUDIO OUT-kontaktene på TV-en eller annen enhet. Etter tilkobling, trykk på SOURCE-knappen på fjernkontrollen for å bytte til Aux In-modus.

##### Koble til medieenhet



Koble en bærbar lydenhet, for eksempel en MP3-spiller eller CD-spiller, til AUDIO IN-kontakten. Etter tilkobling, trykk på SOURCE-knappen på fjernkontrollen for å bytte til Audio In-modus.

### **Sammenkobling av subwoofer**

Subwooferen er allerede sammenkoblet for automatisk trådløs tilkobling med sound bar når du kjøper lydanlegget. Sammenkoblingen er kun nødvendig i sjeldne anledningen når forbindelsen blir brutt. For å sammenkoble subwooferen med sound baren følger du disse trinnene.

1. Sørg for at både sound bar og subwoofer er på. Subwooferen vil blinke sakte.
2. Trykk inn Pairing-knappen på baksiden av subwooferen i ca. seks sekunder. Indikatorlampen på forsiden av subwooferen begynner å blinke raskere.
3. Gå inn i MENU for lydanlegget og velg PAIR. Skjermpanelet på sound baren vil vise meldingen «Pairing» (kobler til). Når tilkoblingen er gjort vil indikatorlampen på subwooferen lyse kontinuerlig.

Trykk på strømknappen på subwooferen for å skru den av midlertidig. Indikatorlampen på forsiden av subwooferen vil slås av.

## 5 Bruke lydanlegget

Dette kapitlet hjelper deg å bruke lydsystemet til å spille av medier fra en rekke kilder. Pass på at de nødvendige tilkoblinger er gjort før du begynner.

### TV

Hvis TV-en har en HDMI ARC-kontakt, kan lydanlegget kan spille av lyd fra TV-en. For å gjøre dette, trykk på lydsystemets SOURCE-knapp på fjernkontrollen til TV er valgt.

### FM radio

For å søke og lagre dine favoritt radiostasjoner følger du disse trinnene.

1. Fest FM-antennen på et passende sted og koble den til FM-antenne-input. Trykk på SOURCE på lydanlegg-panelet, skift til FM og trykk OK.
2. Trykk på MENU på lydanlegg-panelet for å gå inn i menyvalgene. Bruk < / > for å velge FM INSTALL og trykk OK. Tilgjengelige stasjoner lagres automatisk. Trykk MENU på lydanlegg-panelet for å lagre kanalene. Bruk **◀ ▶** knapper for å veksle mellom stasjonene.

For å søke manuelt på radiostasjoner følger du disse trinnene.

1. Trykk på SOURCE på lydanlegg-panelet og skift til FM.
2. Trykk på MENU på lydanlegg-panelet for å gå inn i menyvalgene. Bruk < / > for å velge FM MANUAL TUNE og trykk OK. Bruk < / > for å finjustere frekvensen i trinn på 0.05MHz. Trykk OK for å lagre den nye frekvensen. Velg et nytt stasjonsnummer med < / > og trykk OK.

For å slette lagrede stasjoner følger du disse trinnene.

1. Trykk på SOURCE på lydanlegg-panelet og skift til FM. Bruk < / > for å velge stasjonen du vil slette.
2. Trykk på MENU på lydanlegg-panelet for å gå inn i menyvalgene. Bruk < / > for å velge FM DELETE og trykk OK. Bytt til stasjonene du ønsker å slette, og trykk OK. Trykk MENU for å gå tilbake til FM.

For å velge din favoritt visningsmodus på lydanlegg-panelet følger du disse trinnene.

1. Trykk på SOURCE på lydanlegg-panelet og skift til FM.
2. Trykk på MENU på lydanlegg-panelet for å gå inn i menyvalgene. Bruk < / > for å velge INFO og trykk OK. Bruk < / > for å velge ønsket visningsmodus og trykk OK for å bekrefte

- INFO<FREQ> vil vise frekvenskanal.
- INFO<RDS> vil vise teksten fra Radio Data System (når tilgjengelig).
- INFO<RADIO-TEXT> vil vise radioteksten (når tilgjengelig).

### Bluetooth

Alle Bluetooth-aktiverte telefoner, nettbrett og andre mediaenheter er kompatible med UPPEVA sound system\*. Når mediaenheten er sammenkoblet med lydanlegget det vil automatisk kobles til når Bluetooth er valgt som kilde igjen. Lydanlegget kan kobles sammen med åtte enheter, men det vil bare være synlig for den enheten som er koblet til først. Følg disse trinnene for å koble til, bruke og koble fra Bluetooth.

Koble til medieenhet

1. Trykk på lydanleggets SOURCEknapp på fjernkontrollen og bytt til BLUETOOTH. Hvis ingen enhet er tilkoblet, vil panelet vise Bluetooth Wait.
2. Skru på Bluetooth på din mediaenhet. Koble til lydsystemet ved å koble til «UPPEVA». Når du er koblet til skjermpanelet vil det vise Bluetooth Ready.
3. Bruk **◀ ▶** og < + VOL - > knapper for å styre musikken.

For å velge din favoritt skjermmodus på skjermpanelet.

1. Trykk på SOURCE på lydanlegg-panelet og bytt til BLUETOOTH.
2. Trykk på MENU på lydanlegg-panelet for å gå inn i menyvalgene. Bruk < / > for å velge INFO og trykk OK. Bruk < / > for å velge ønsket visningsmodus og trykk OK for å bekrefte. Trykk MENU for å avslutte.
  - ID3 vil vise Tittel på øverste rad og Artist og Album på nederste rad.
  - TID vil vise teksten BLUETOOTH på øverste rad og Tid på den nederste raden.

\* Forutsatt at det er kompatibelt med Bluetooth v2.1 + EDR eller høyere.

Slik fjerner du koblingen til en medieenhet.

1. Trykk på SOURCE på lydanlegg-panelet og skift til BLUETOOTH.

2. Trykk på MENU på lydanlegg-panelet for å gå inn i menyvalgene. Bruk < / > og OK-knappen for å velge FORCE UNLINK.

Merk: du må bruke FORCE UNLINK hvis du har koblet lydsystemet til mer enn 8 ulike enheter.

Slik kobler du fra en medieenhet.

Slå av Bluetooth på Bluetooth-enheten eller bare fjern sammenkobling med UPPLEVA for å koble fra.

### Velg lydmodus

Du kan velge mellom forskjellige lydmoduser for å forbedre lydopplevelsen.

Trykk på fjernkontrollen for å velge mellom Standard, Musikk, Nyheter, Filmer og Personlig modus. Lydmoduseffektene blir fullt hørbare etter et par sekunder.

Slik setter du opp personlig modus

I personlig modus kan du velge bass- og diskantnivå og «wide mode» (gir fyldig lyd) ut fra dine egne preferanser. Følg disse trinnene for å sette din personlige modus.

1. Trykk på fjernkontrollen og bytt til Personlig modus.

2. Bassnivå: Trykk på MENU på lydanlegg-panelet for å gå inn i menyvalgene. Bruk < / > for å velge BASS, og trykk OK. Bruk < / > for å velge på en skala fra 4 til 8, trykk OK for å bekrefte. Trykk MENU for å avslutte. Jo høyere nivå du velger, jo sterkere vil basslyden være.

3. Diskantnivå: Trykk på MENU på lydanlegg-panelet for å gå inn i menyvalgene. Bruk < / > for å velge TREBLE og trykk OK. Bruk < / > for å velge på en skala fra -6 til 6, og trykk OK for å bekrefte. Jo høyere nivå du velger, jo sterkere vil diskantlyden være.

## 6 Innstillinger

### Lydinntstillinger

For å få en surroundeffekt kan WIDE-modus slås på:

1. Trykk på MENU på lydanlegg-panelet for å gå inn i menyvalgene. Bruk < / > for å velge WIDE og trykk OK. Bruk > -knappen for å bytte til På og trykk OK for å bekrefte. Trykk MENU for å avslutte.

Subwooferens bassnivå kan justeres til å passe dine preferanser.

1. Trykk på MENU på lydanlegg-panelet for å gå inn i menyvalgene. Bruk < / > for å velge SUB og trykk OK. Bruk < / > for å velge på en skala fra -9 til 0, og trykk OK for å bekrefte. Trykk MENU for å avslutte. Jo høyere nivå du velger, jo sterkere bass.

### Lysstyrke på panel

Lysstyrken på panelet kan justeres for å passe til ulike omgivelser eller preferanser. Følg disse trinnene for å endre lysstyrken.

1. Trykk på MENU på lydanlegg-panelet for å gå inn i menyvalgene. Bruk < / > for å velge BRIGHTNESS, og trykk OK.
2. Bruk < / > knappene for å velge Off, Low, AUTO eller High og trykk OK for å bekrefte. Trykk MENU for å avslutte. De høye og lave innstillingene vil gi panelet en henholdsvis høy og lav lysstyrke, mens Auto-innstillingen vil dimme ned paneletes lysstyrke etter 15 sekunder uten bruk. Off-innstillingen vil tømme displayet for all informasjon, for et mindre distraherende uttrykk. Volumindikatorringen er fortsatt synlig. Enhver bruk vil føre til at displayinformasjonen vises i 15 sekunder.

### Endre standby-tid

For å spare energi vil lydanlegget automatisk gå inn i standby-modus hvis det ikke er spilles noen lyd. Følg disse trinnene for å justere tiden før anlegget går over i standby. Velg OFF for å hindre at systemet går i standby av seg selv.

1. Trykk på MENU på lydanlegg-panelet for å gå inn i menyvalgene. Bruk < / > for å velge AUTO STANDBY og trykk OK.
2. Bruk < / > for å velge ønsket timing og trykk OK for å bekrefte. Trykk MENU for å avslutte.

### UPPLEVA TV

Vi anbefaler deg å gjøre følgende innstilling hvis du har en annen TV (ikke UPPLEVA\*) koblet med HDMI til UPPLEVA lydanlegg. Innstillingen gjør at TV og UPPLEVA lydanlegg kan fungere sammen på en best mulig måte.

Følg disse trinnene for oppsett.

1. Trykk på MENU på lydanlegg-panelet, bytt til UPPLEVA TV og trykk på OK.
2. Velg Nei hvis du ikke har en UPPLEVA TV\*.

Innstillingen «Nei» vil hindre lydsystemet i å bryte inn som aktiv kilde på TV-en din når den er slått på. Innstillingen «Ja» må brukes for UPPLEVA TV\*.

Du kan endre innstillingen tilbake igjen hvis du ønsker å bruke UPPLEVA lydsystem med en UPPLEVA TV\* på et senere tidspunkt. Følg disse trinnene for oppsett.

1. Trykk på MENU på lydanlegg-panelet, skift til UPPLEVA TV og trykk på OK.
2. Velg Ja hvis du har en UPPLEVA TV\*, skift til UPPLEVA TV og trykk OK.

\* Bare gyldig for følgende UPPLEVA-TV-er (oppgitt i artikkelnummer):

402-565-98, 802-662-13, 202-565-99, 502-662-19, 802-566-00, 102-662-16, 602-566-01, 002-662-12, 002-565-81, 302-662-15, 602-565-78, 902-662-17.

### Tilbakestilling til standardinnstillinger

Følg disse trinnene for å tilbakestille lydanlegget til standardinnstillingene.

1. Trykk på MENU på lydanlegg-panelet for å gå inn i menyvalgene. Bruk < / > for å velge RESET og trykk OK. Teksten Warning vil bli vist på skjermpanelet. Trykk på OK.
2. Bruk < / > for å velge Ja eller Nei. Ja vil tilbakestille lydsystemet til fabrikkinnstillinger og Nei vil ta deg tilbake til menyvalg.

## 7 Spesifikasjoner

### Hovedfunksjoner

- FM-tuner / Bluetooth / Audio inn /Aux inn /Optisk inn /HDMI
- Høytalertype: 2,1 stereo+subwoofer
- HDMI systemkontroll:
- HDMI CEC 1,4, ARC, Systemlydkontroll, Remote Pass Through, OneTouchStandby, One touch play
- FM-funksjoner: RDS, Radio-tekst (PS, RT)
- Lydmoduser: 5 forhåndsinnstillinger, bass og diskant
- Surround: Virtual Surround
- Auto Standby

### Audio Input-forbindelser

- HDMI + CEC/ARC
- Digital inn: Optisk
- AUX i L/R: stramme
- Front audio inn: 3,5 mm
- FM-antenne: 75 ohm

### Støttede digitale lydformat

- Dolby digital / PCM
- Sample rate 32 kHz/44,1 kHz/48 kHz

### Bluetooth

- Versjonskompatibilitet: 2,1+EDR eller høyere
- Codec-søtte: SBC, A2DP 1,2, AVRCP 1,4
- Autotilkobling: opptil 8 enheter
- Auto-A2DP-tilkobling
- ID3-tag display: Tittel/artist/album
- Spillerkontroll: Play/pause, neste/forrige, Fwd (frem)/Frew (tilbake).

### Service

- SERVICE USB-porten brukes kun til å oppdatere programvaren.

#### Merk:

*Ikke dra ut strømmen eller trekk ut USB-enheten når programvaren oppdateres.*

### Hovedenhet

- Strømforsyning: 220–240 V, 50/60 Hz
- Strømforbruket i standby-modus: <0,5 W
- Klassifisert strømforbruk av sound bar: 30 W
- Klassifisert strømforbruk av subwoofer: 20 W
- Strømforbruk på subwooferen i standby-modus: <0,5 W
- Strømforbruk på subwooferen i nettverks standby-modus: <2,0 W
- Driftstemperatur: 5 °C til 35 °C
- Fuktighet ved drift: Mindre enn 80 % (ingen kondens)

### Forsterker

- Total utgangseffekt: 100 W RMS (1 % THD)
- Frekvensrespons: 40 Hz–20 kHz
- Inngangsfølsomhet: AUX IN: 2 V AUDIO IN: 1 V

### Radio

- Dekning: FM 87,5–108 MHz (50 kHz)
- Signal-til-støy-forhold: FM 50 dB

## 8 Feilsøking

Hvis du opplever noen av de følgende problemene mens du bruker denne enheten, vennligst se listen under. Hvis du fortsatt opplever problemer med UPPLEVA lydsystem, kan du kontakte IKEA Kundeservice på [www.IKEA.com](http://www.IKEA.com).

Problem	Tips
Reagerer ikke på fjernkontroll.	Sørg for at den fjernkontrollen peker mot lydanlegg.
	Kontroller at batteriene er satt inn riktig.
	Sjekk om batteriene er tomme for strøm og må byttes ut.
Dårlig FM mottak.	Kontroller at FM-antennen er koblet til og installert riktig. Alternativt kan du bruke en utendørs FM-antenne, eller bruke en FM-kabeltilkobling.
Kan ikke bruke Bluetooth.	Sørg for at telefon, nettbrett eller andre medieenheter støtter Bluetooth.
	Sørg for å koble til riktig IKEA enhet kalt UPPLEVA.
	Sørg for at telefon, nettbrett eller andre medieenheter er tilkoblet og at Bluetooth-funksjonen er på.
	Sørg for at ingen andre Bluetooth-enheter i rommet er tilkoblet. Hvis en annen Bluetooth-enhet er tilkoblet, slå av bluetooth-funksjonen i den enheten. Bluetooth- mottaket er dårlig.
Dårlig lyd kvalitet ved avspilling via Bluetooth.	Flytt enheten nærmere lydanlegg eller fjerne eventuelle hindringer mellom enheten og lydanlegg. Merk: Bluetooth-mottak vil normalt operere med en avstand på opp til 6-8 meter i uhindret bane. Når gjenstander, møbler eller vegger er i mellom, vil avstanden bli redusert. Operativ avstand kan også bli redusert når enheten er plassert i f.eks lomme eller pose.
Ingen lyd fra TV.	Sørg for at lydanlegget er koblet til TV-en via HDMI ARC-kontakten på TV-en.
	Sørg for at T-link-funksjonen i UPPLEVA TV-en er på.
Ingen lyd fra lydanlegget.	Sørg for at lydanlegget er koblet til strømkilden.
	Kontroller at lydanlegget er på.
	Sørg for at kablene er tilkoblet og ikke ødelagt.
	Sørg for at både venstre og høyre høyttaler er tilkoblet.
	Kontroller at lyden er ikke er satt på mute eller volum 0.
Kontroller at riktig kilde er valgt.	
TV-skjermen endrer input og blir svart når lydanlegget skrus på.	Sørg for at du har valgt at du har en UPPLEVA TV * eller ikke i UPPLEVA TV-innstillingene, se Kapittel 6 Innstillinger/ UPPLEVA TV. Kun gyldig for følgende UPPLEVA TVer: 402-565-98, 802-662-13, 202-565-99, 502-662-19, 802-566-00, 102-662-16, 602-566-01, 002-662-12, 002-565-81, 302-662-15, 602-565-78, 902-662-17.

**Obs! Dersom de problemene du opplever ikke løses ved tipsene ovenfor, ta ut strømledningen i ett minutt. I sjeldne tilfeller kan lydsystemet trenge en programvareoppgradering. Kontakt IKEA kundeservice på [IKEA.no](http://IKEA.no) for mer informasjon.**

## 9 Ordliste

### ARC

Audio Return Channel er en teknologi som brukes i HDMI-tilkoblinger på TV-er og lydsystemer. ARC sender lyden fra TV-bildene gjennom HDMI-kabler til lydsystemet. Dette fjerner behovet for å montere en ekstra lyd kabel.

### Digital Audio

Digital Audio er et lydsignal som har blitt omgjort til tallverdier. Digital lyd kan overføres gjennom flere kanaler. Analog lyd kan bare overføres gjennom to kanaler.

### Dolby® Digital

System for å komprimere digital lyd utviklet av Dolby Laboratories. Det gir deg lyden av stereo (2k) eller flerkanals lyd.

### HDCP

High-bandwidth Digital Content Protection. Dette er en spesifisering som gir en sikker overføring av digitalt innhold mellom forskjellige enheter (for å hindre uautorisert opphavsrett.)

### HDMI®

High-Definition Multimedia Interface (HDMI) er et høyhastighets digitalt grensesnitt som kan overføre ukomprimert HD-video og digital flerkanalslyd. Den leverer høy bildekvalitet og lyd kvalitet. HDMI er fullstendig bakoverkompatibelt med DVI. Som krevd av HDMI-standarden, tilkobling til HDMI- eller DVI- produkter uten HDCP (High-bandwidth Digital Content Protection) vil resultere i ingen video eller lyd utgang.

### HDMI-CEC

HDMI-tilkoblingen gir mulighet til felles systemkontroll av TV- og lydsystemet via HDMI CEC-signaler. Du kan bruke én fjernkontroll til å styre funksjoner i dem begge. Disse inkluderer for eksempel kombinert volumkontroll, automatisk kildevalg, en automatisk strøm på og av på TV-en og lydsystemet, eller skifte TV-kanaler.

### MP3

Et filformat med et lyd data komprimeringsystem. MP3 er en forkortelse av Motion Picture Experts Group 1 (eller MPEG - 1) Audio Layer 3. Med MP3-format, kan én CD-R eller CD-RW inneholde ca 10 ganger mer data enn en vanlig CD.

### PCM

Pulse Code Modulation. Et digital audio kodesystem.

## 10 Kontakt IKEA

Hvis du har spørsmål om din nye UPPLEVA-TV eller lydanlegg, eller om du trenger service eller support, kontakt IKEA kundeservice på IKEA.no. For å være sikker på at vi gir deg best mulig hjelp, les bruksanvisningen grundig før du kontakter oss. Ha også artikkelnummeret for kjøpet for hånden når du ringer. Du finner det 8-sifrede artikkelnummeret på kvitteringen eller på baksiden av din UPPLEVA-TV eller lydanlegg.

## 11 SAMSVARSERKLÆRING OVERSETTELSE

Produktet oppfyller kravet til CE-merking i henhold til følgende direktiv(er):

- Lavspenningsdirektivet (LVD) 2006/95/EF
- Direktivet om elektromagnetisk kompatibilitet (EMC) 2004/108/EF
- RoHS-direktivet 2011/65/EU
- Direktivet om energirelaterte produkter (ErP) 2009/125/EF
- Radio- og teleterminaldirektivet (R&TTE) 1999/5/EF

<b>Type utstyr:</b>	Lydsystem
<b>Merkenavn eller varemerke:</b>	IKEA
<b>Typebetegnelse:</b>	Lydstang; MFE, MFC Trådløs subwoofer: SFE, SFC
<b>Produsent:</b>	IKEA of Sweden AB
<b>Adresse:</b>	Box 702, SE-343 81 Älmhult, SVERIGE
<b>Telefonnr.:</b>	+46 (0) 476-81000

Det er anvendt følgende harmoniserte europeiske standarder eller tekniske spesifikasjoner, som overholder god ingeniørpraksis i sikkerhetsspørsmål slik den gjelder i EØS-området:

### Sikkerhet

EN 60065: 2002 (Seventh Edition) + A1:2006 + A11:2008 + A2:2010 + A12:2011

### EMC

EN61000-3-2:2006+A1:2009+A2:2009

EN61000-3-3:2008

EN62479:2010

EN55013:2001+A1:2003+A2:2006

EN55020:2007+A11:2011

### R&TTE

ETSI EN300 328 V1.8.1: 2012

ETSI EN300440-1 V1.6.1:2010

ETSI EN300440-2 V1.4.1:2010

ETSI EN301489-1 V1.9.2:2011

ETSI EN301489-17 V2.2.1:2012

ETSI EN301489-3 V1.4.1:2002

### ERP

Forordning 1275/2009

Tilleggsinformasjon:

Produktet er CE-merket i 2014.

Vi har produktkontroll i henhold til IKEAs produktbeskrivelse.

Som produsent / produsentens autoriserte representant i EØS erklærer vi under eneansvar at utstyret overholder bestemmelsene i de ovennevnte direktivene.

Dato 18.8.2014



