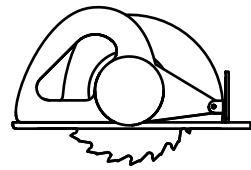
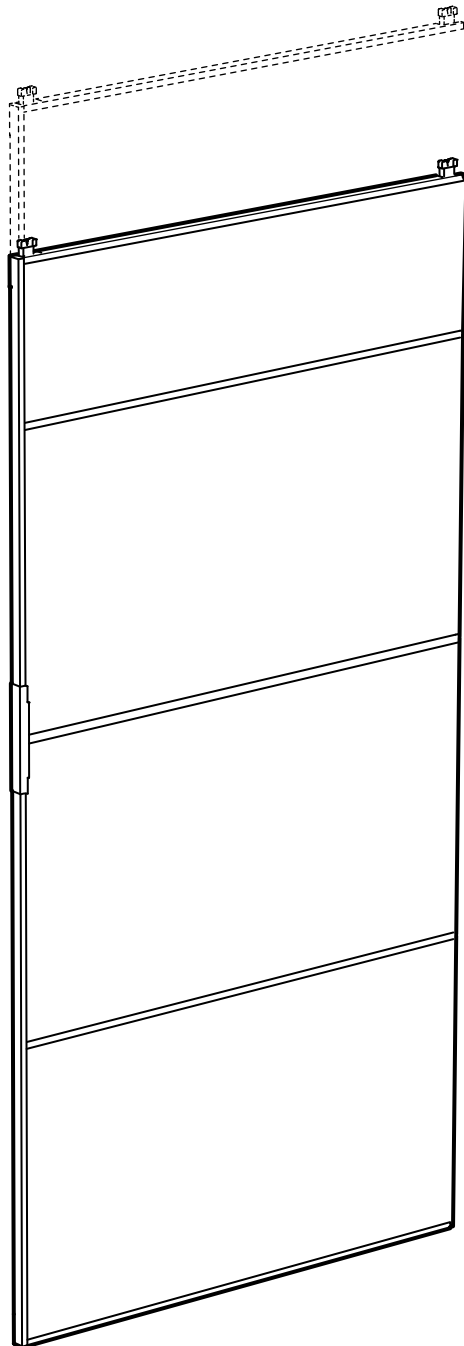
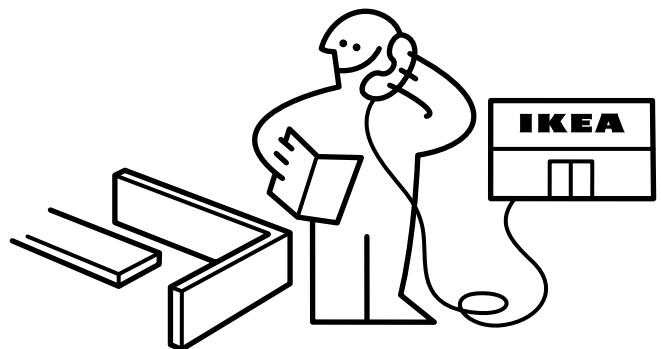
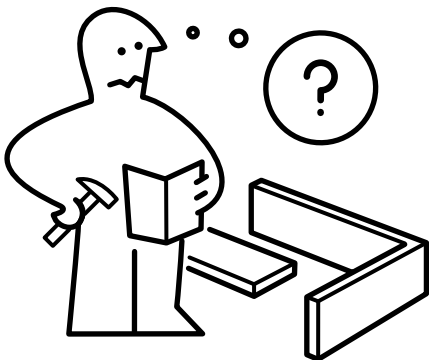
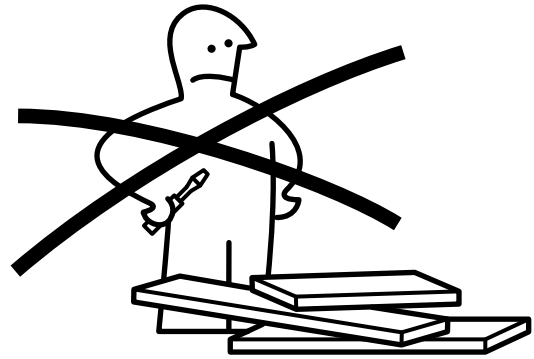
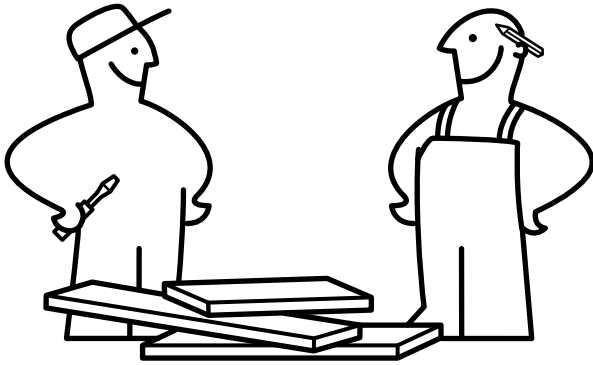
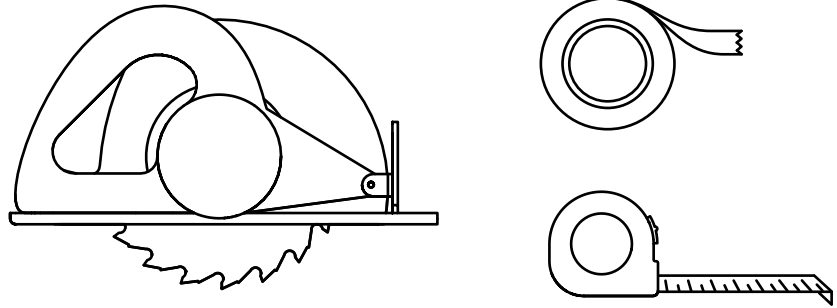
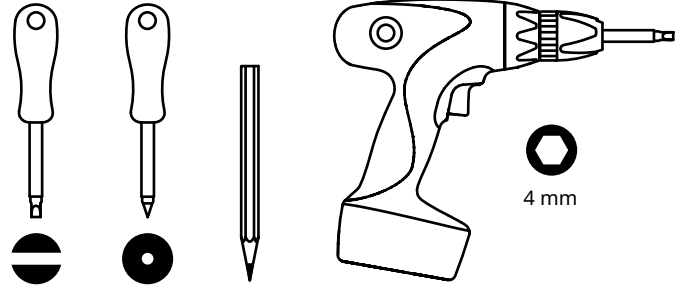


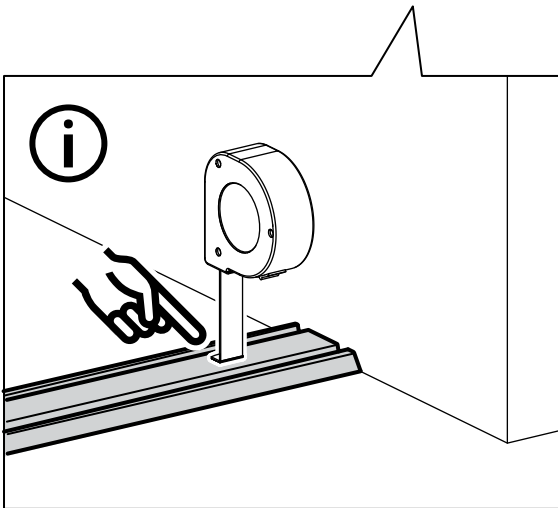
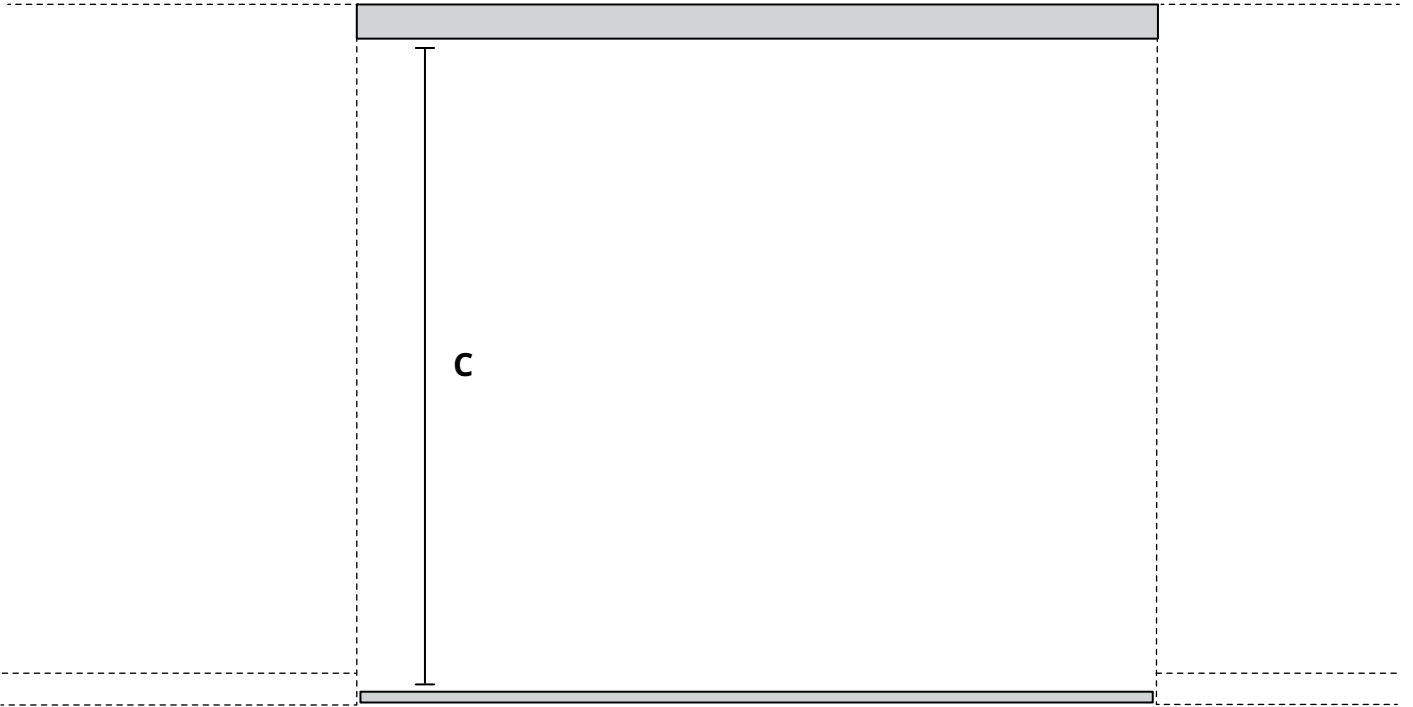
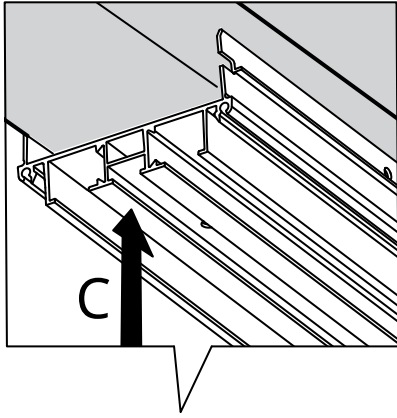
# SKYTTA



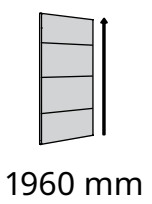
Design and Quality  
IKEA of Sweden



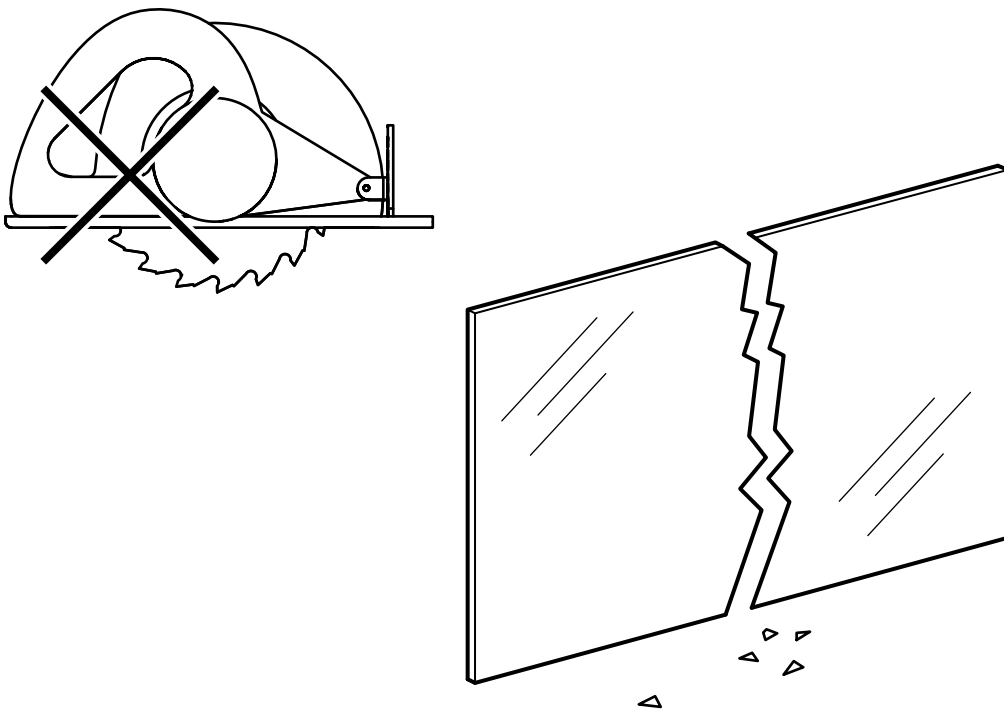
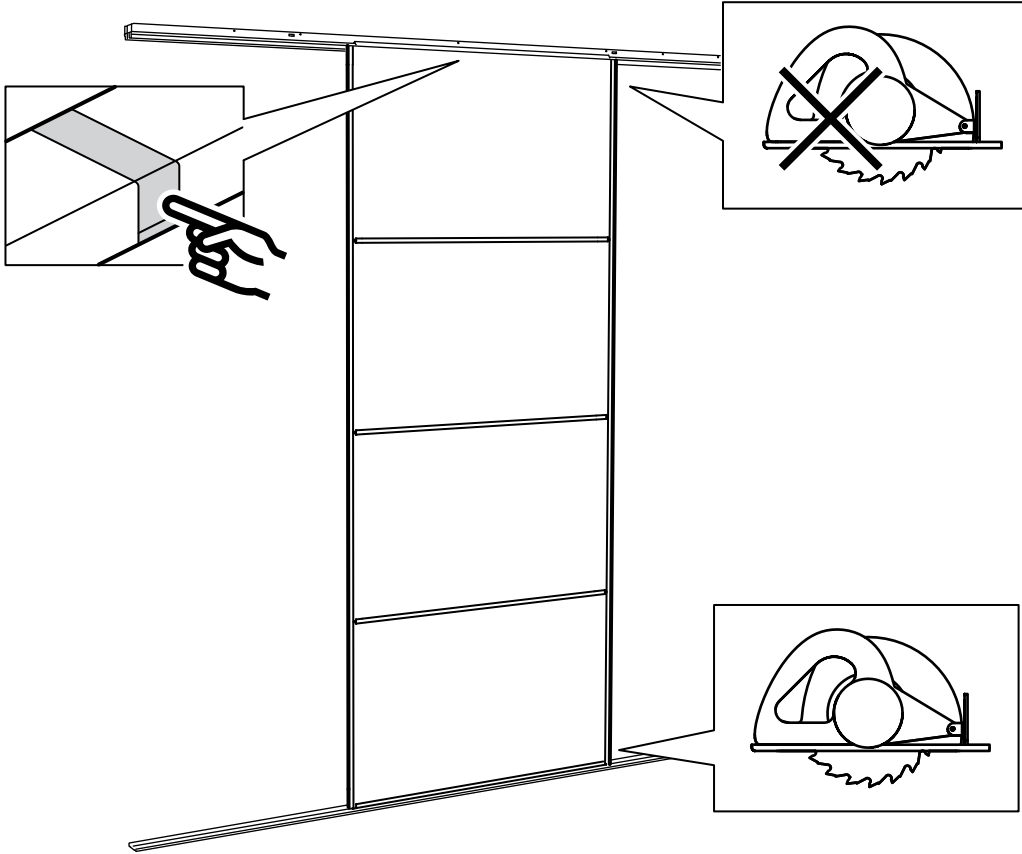
1



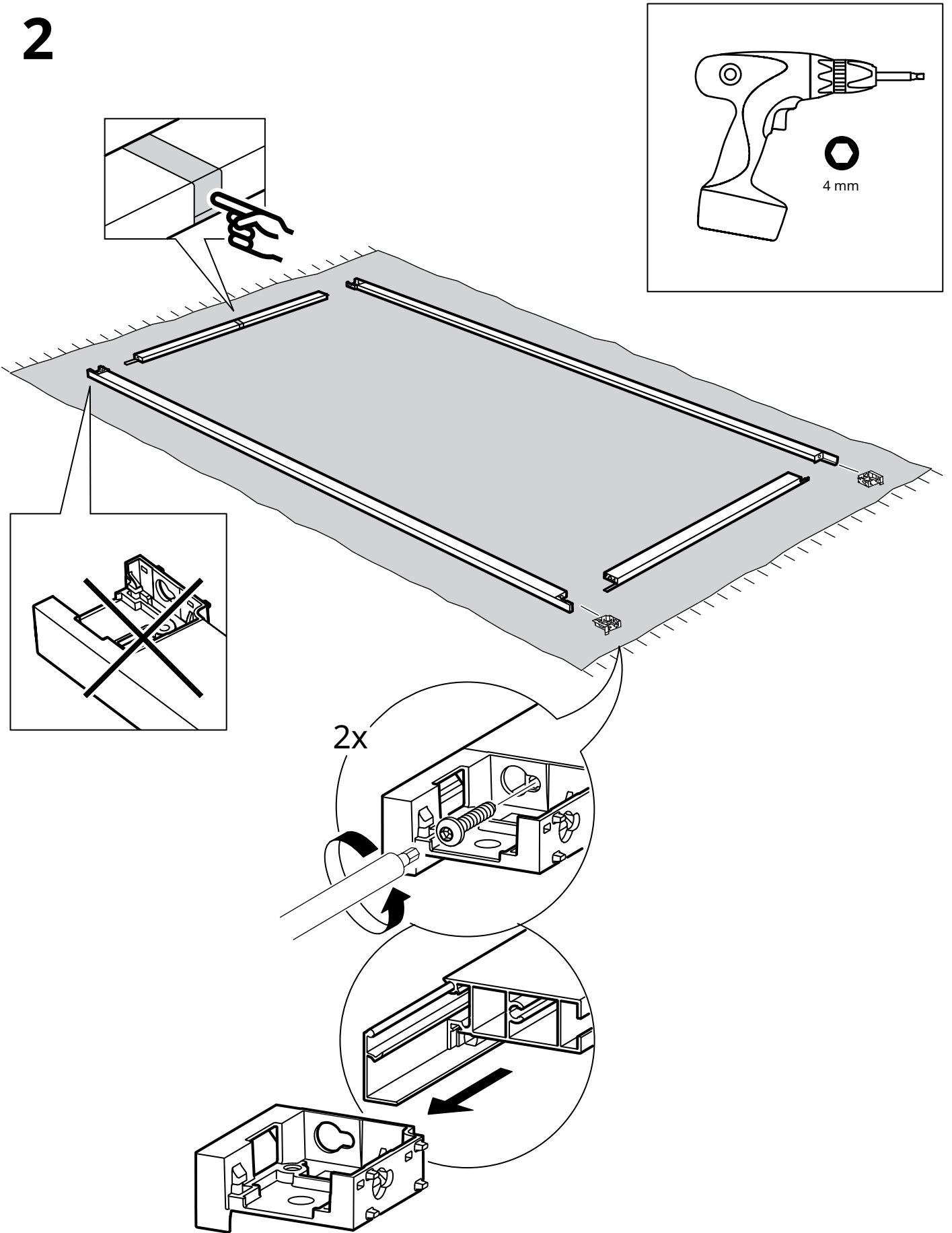
X = \_\_\_\_\_ mm

	$1987 \text{ mm} - C = X$
---	---------------------------

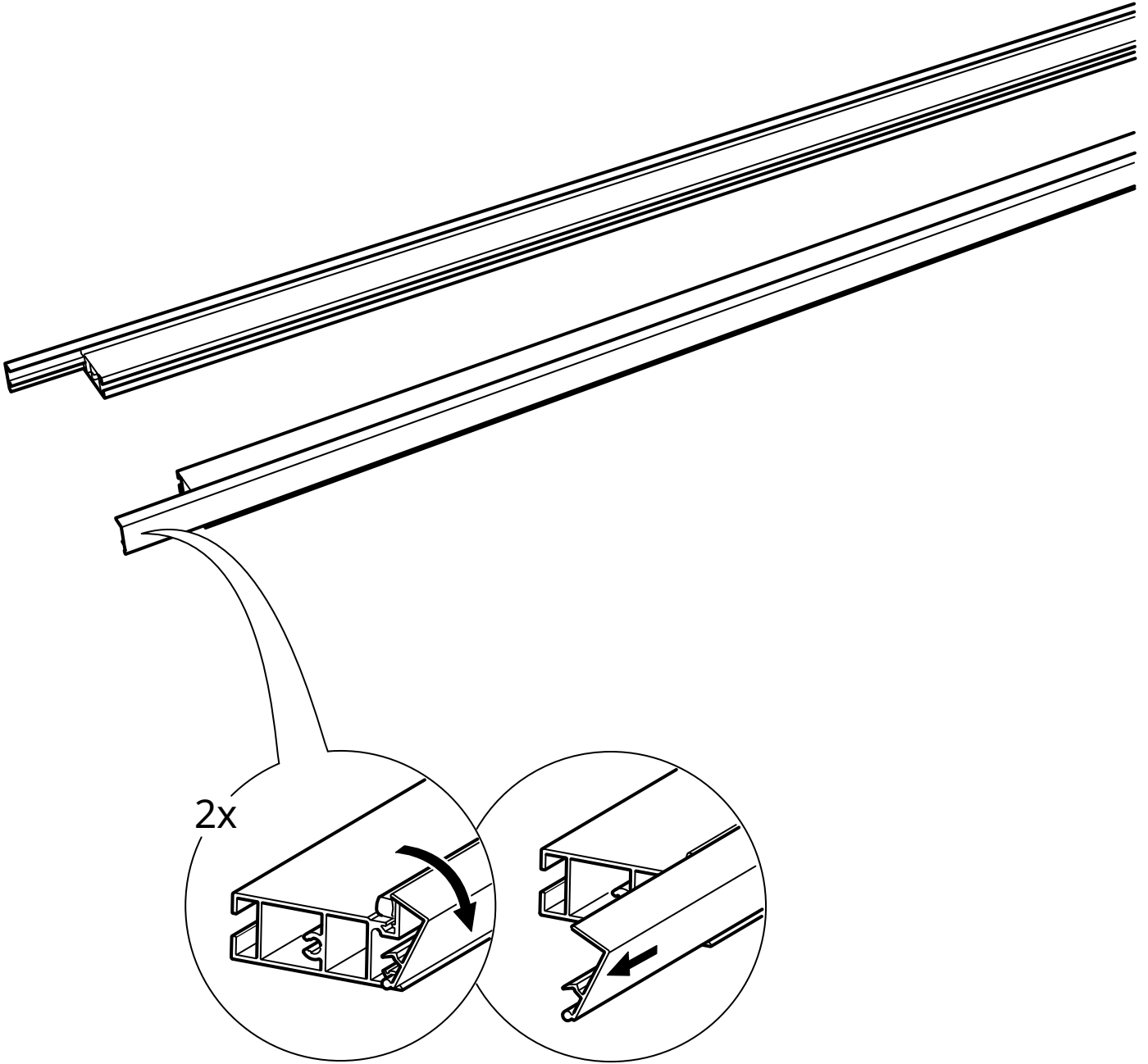
	$2339 \text{ mm} - C = X$
---	---------------------------



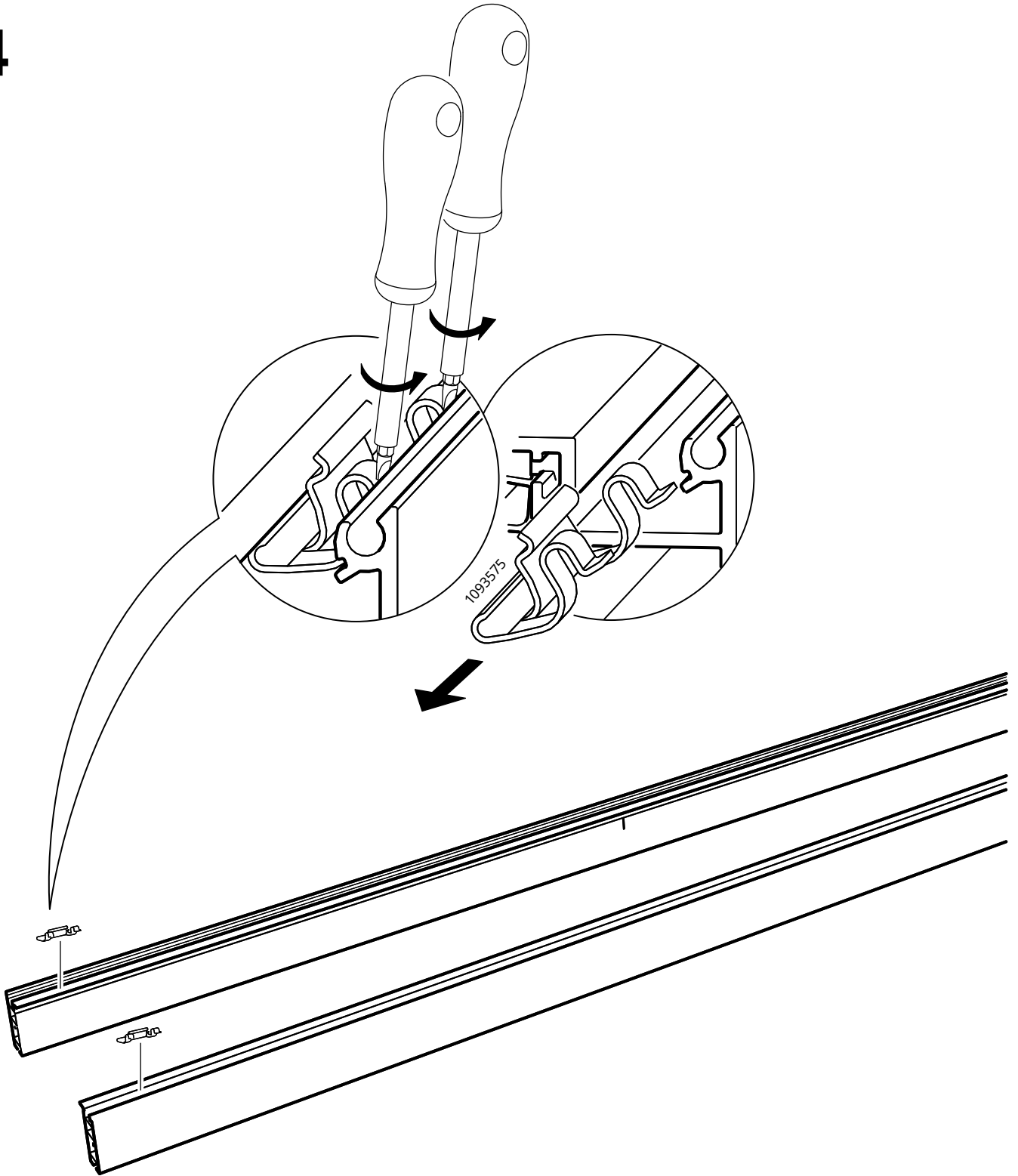
2

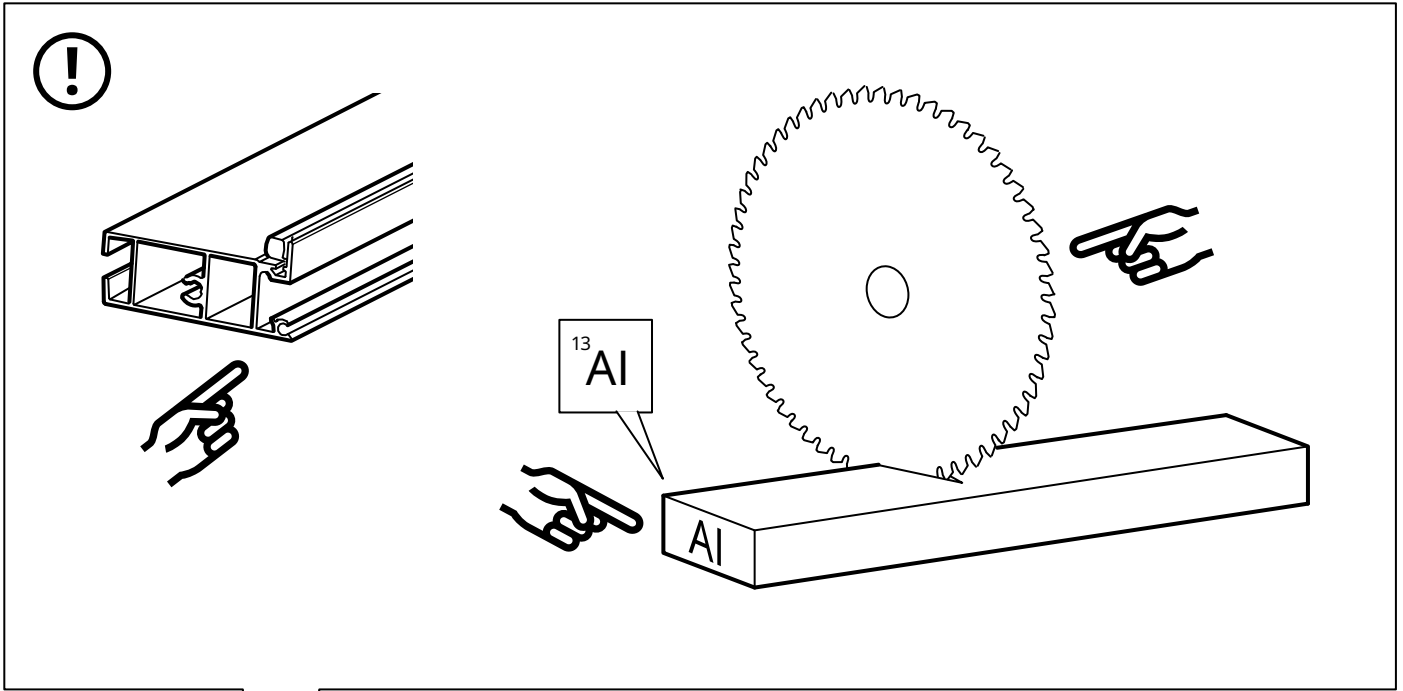


3

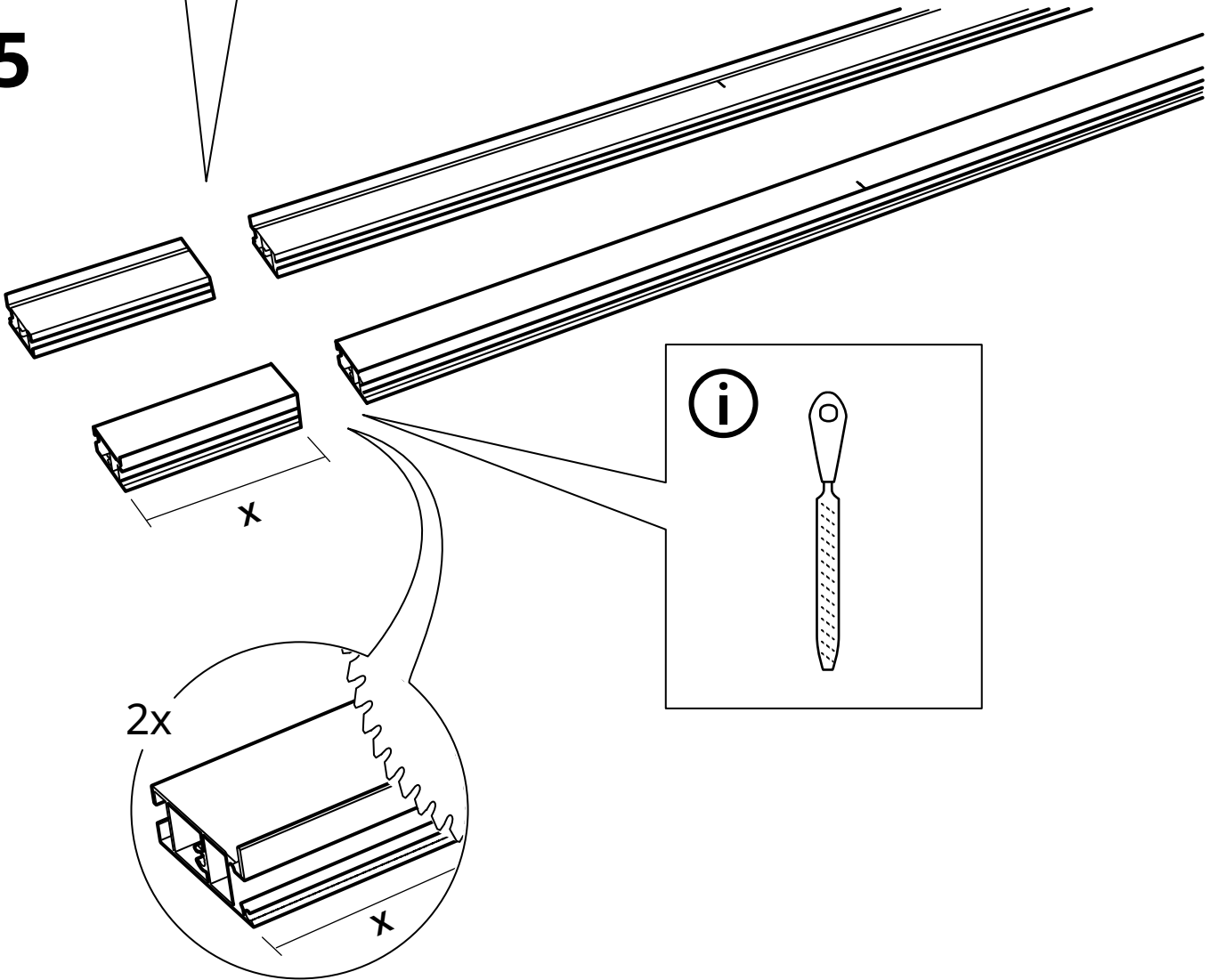


4



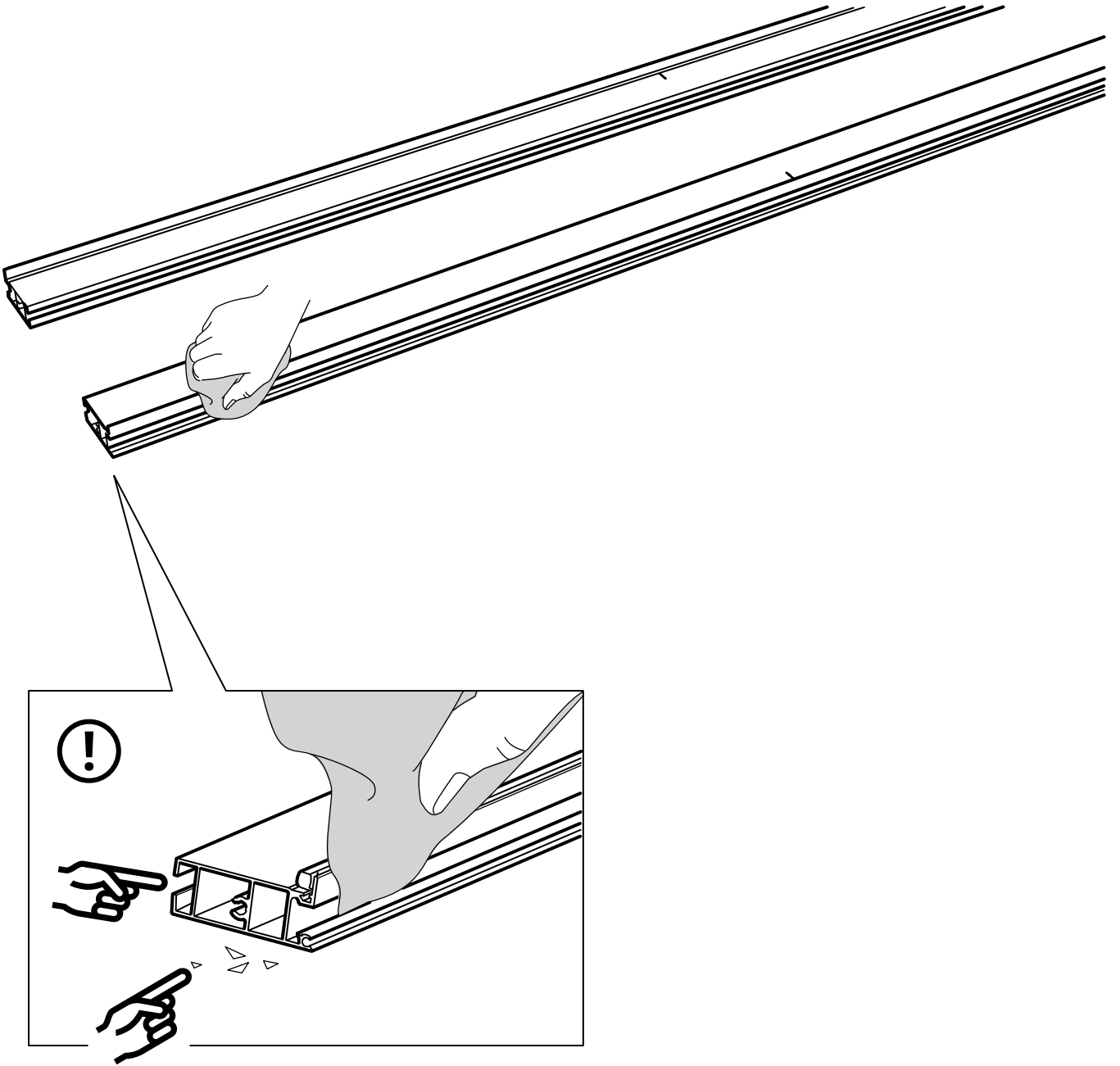


5

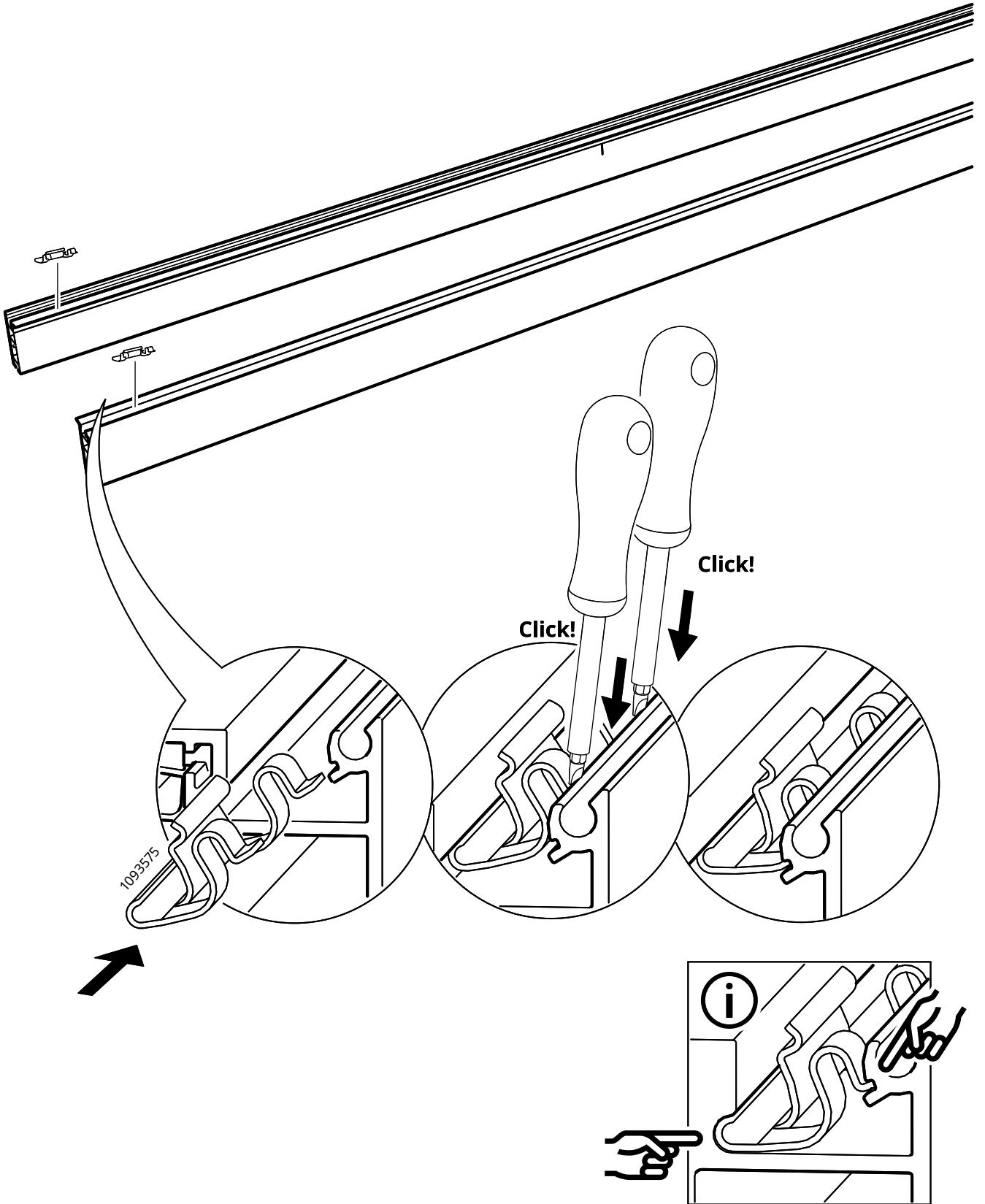


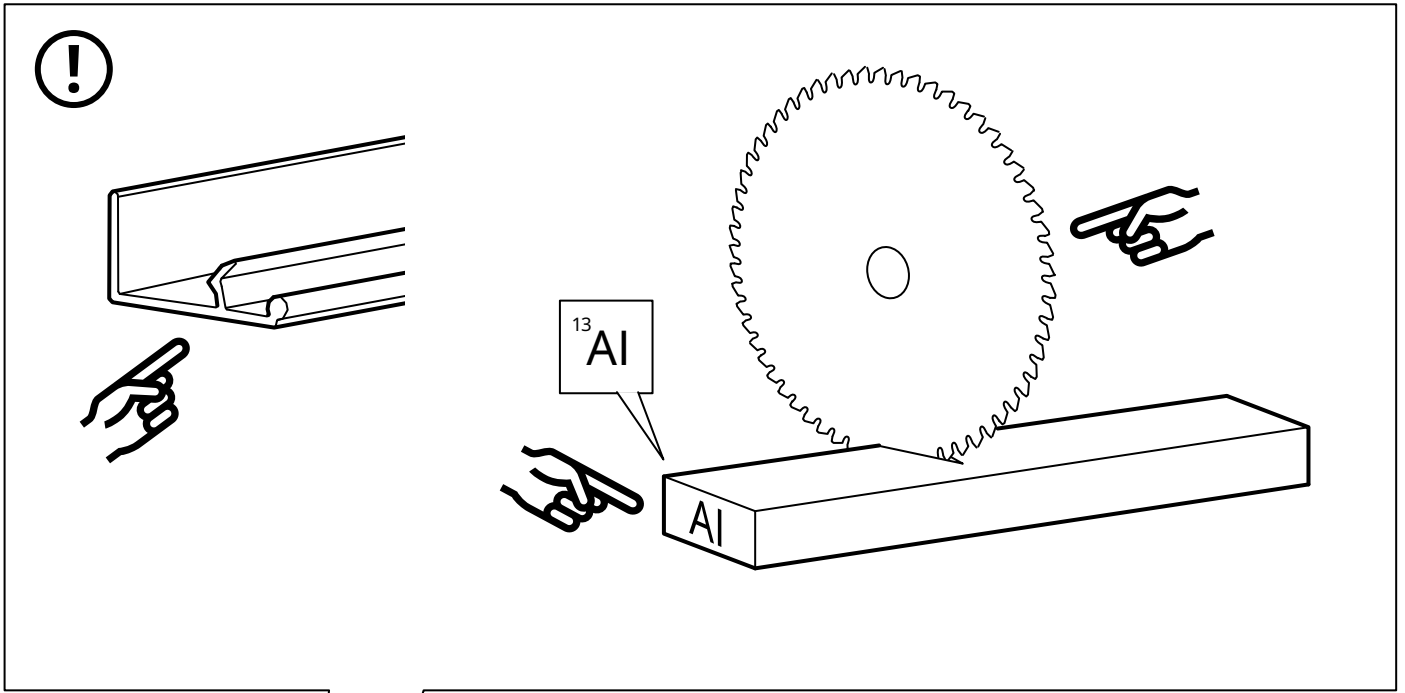


6

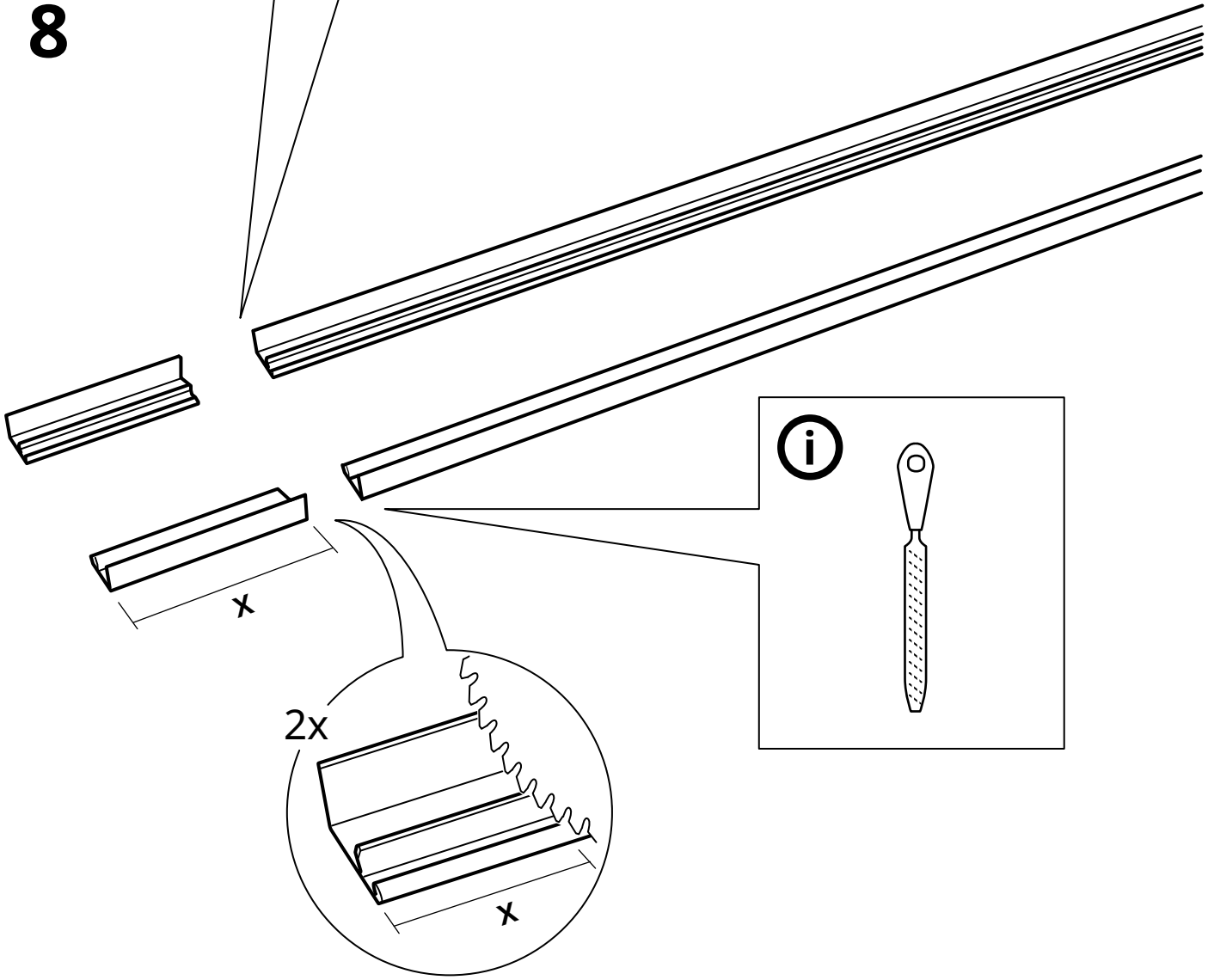


7

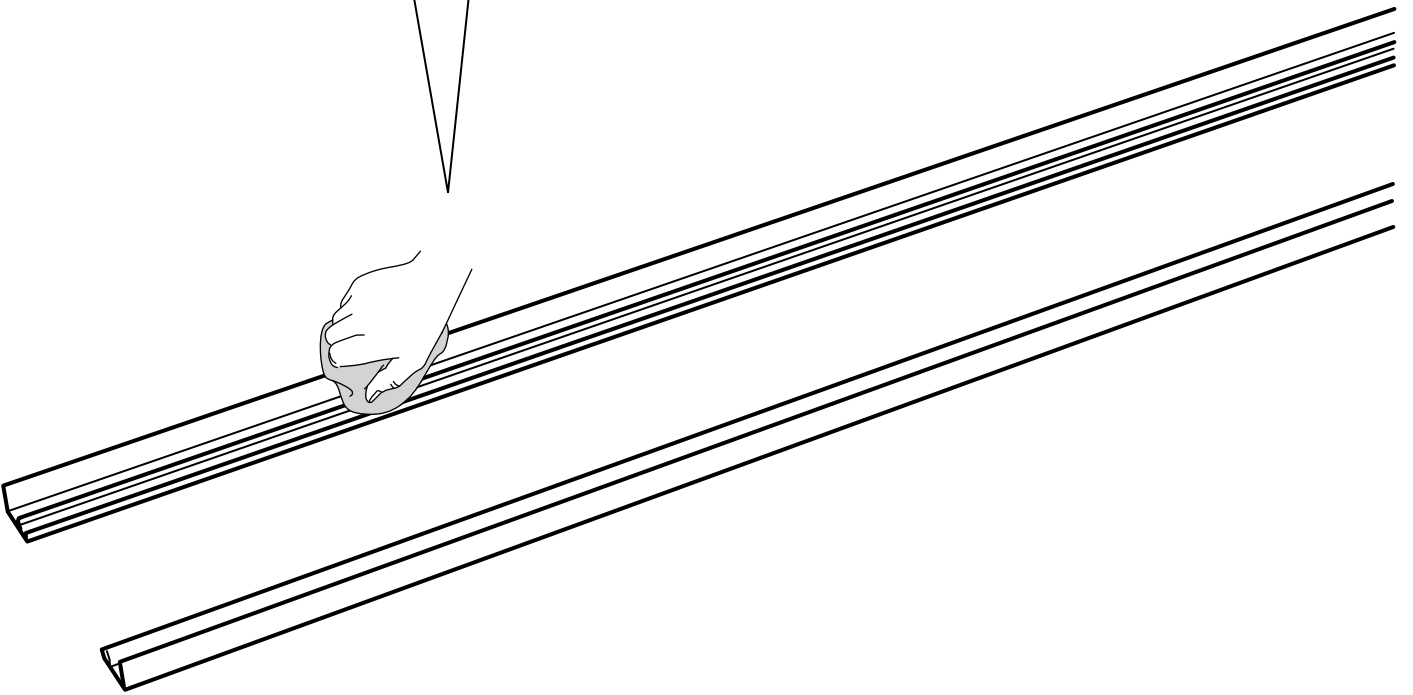
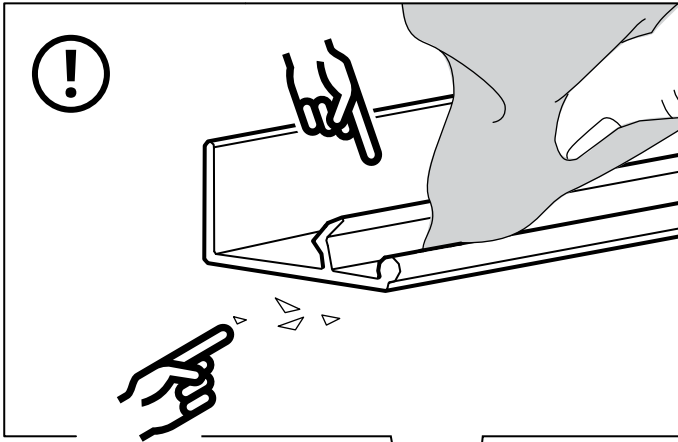




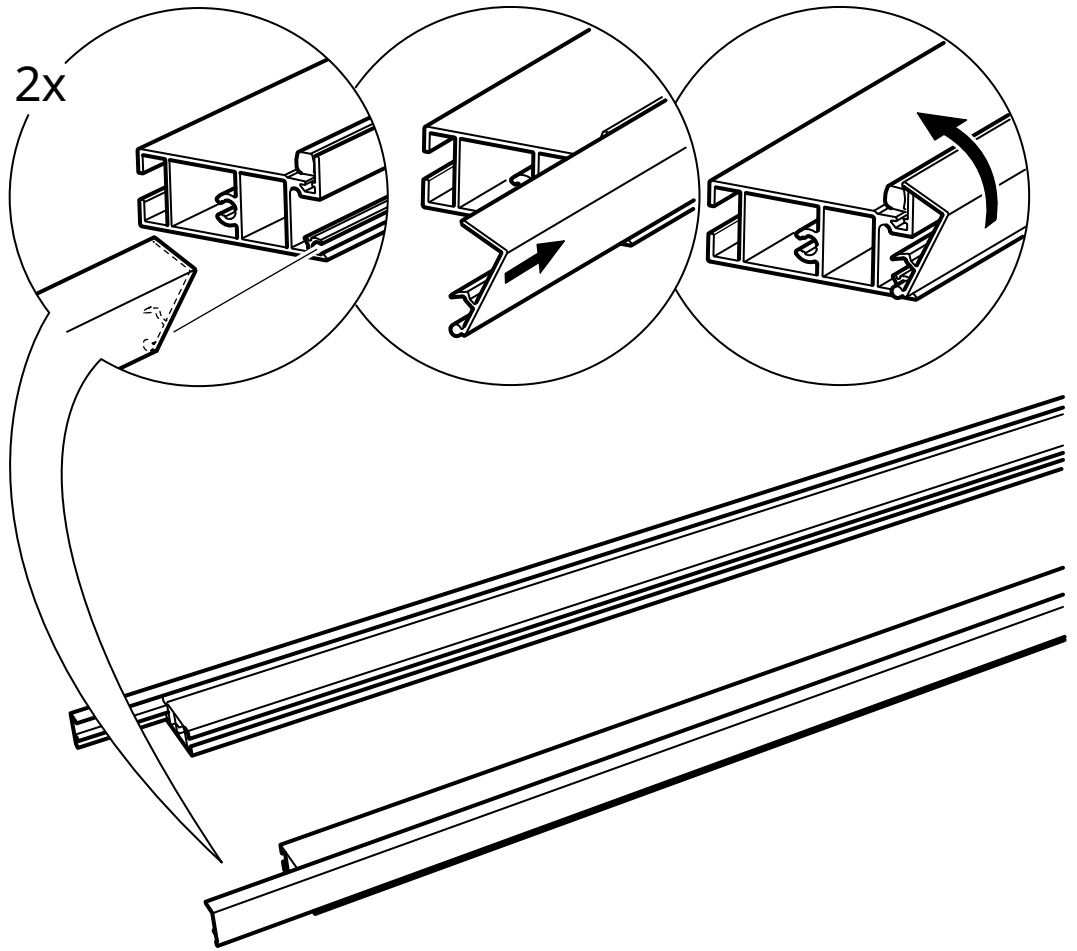
8



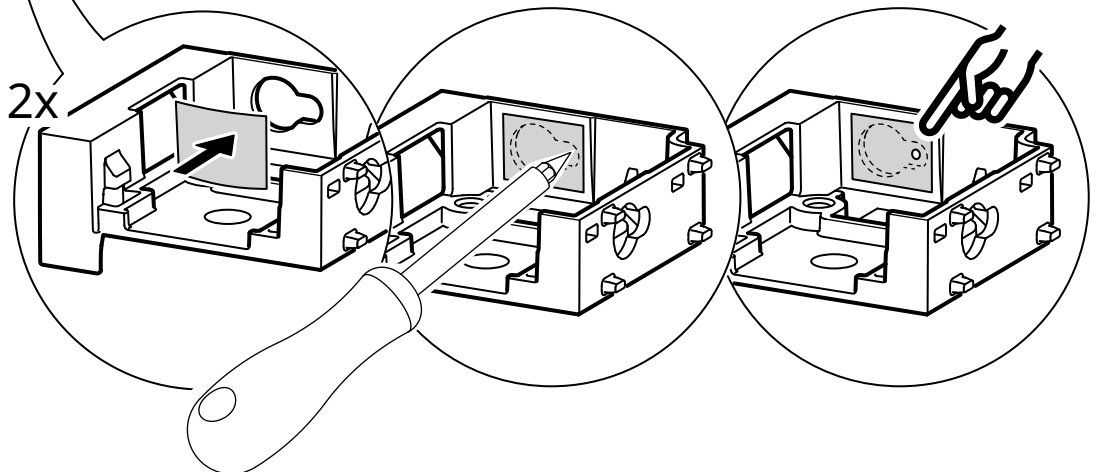
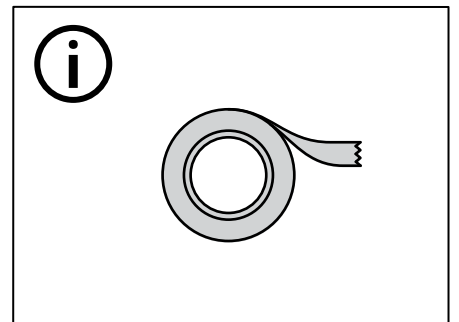
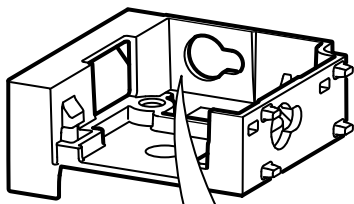
9



10



11



# 12

