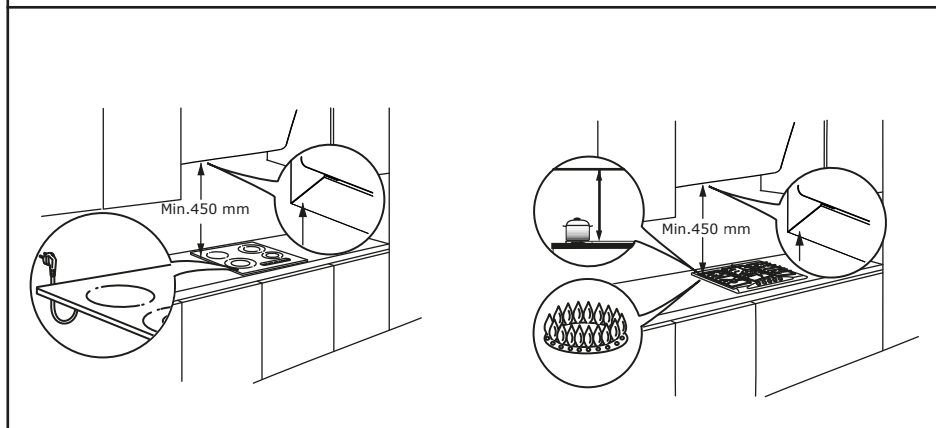
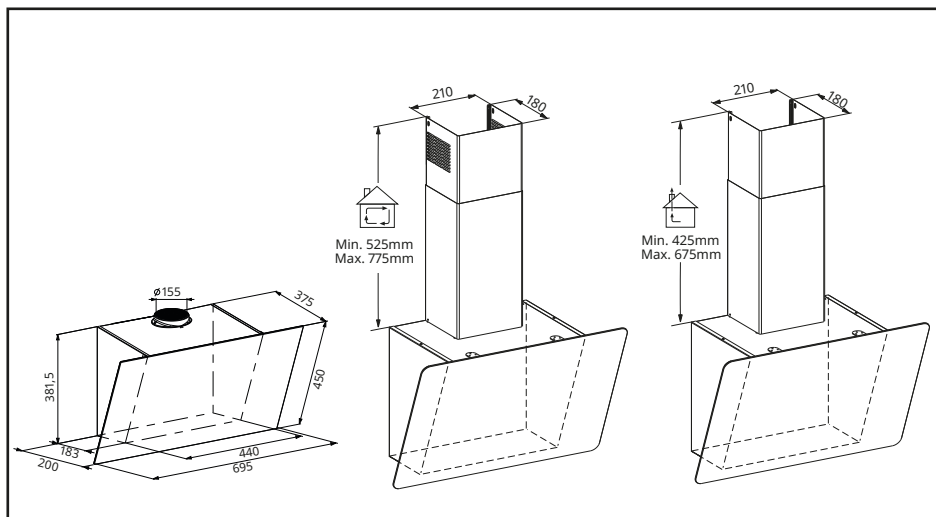


KNUVEBO



Design and Quality
IKEA of Sweden



5x



4x



2x



1x



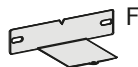
2x



1x



1x



1x



2x



1x

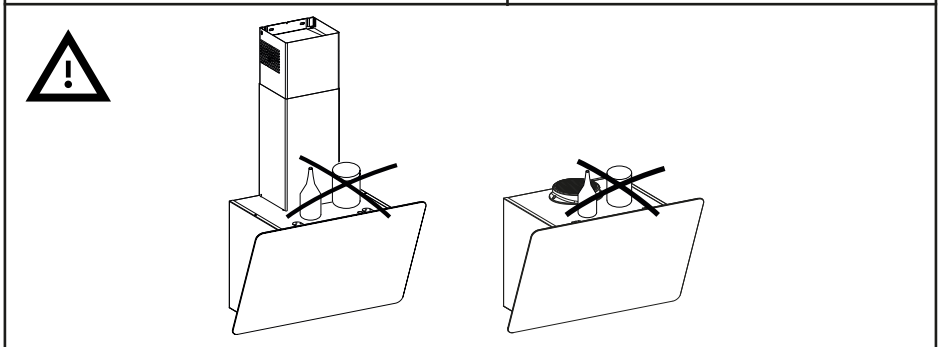
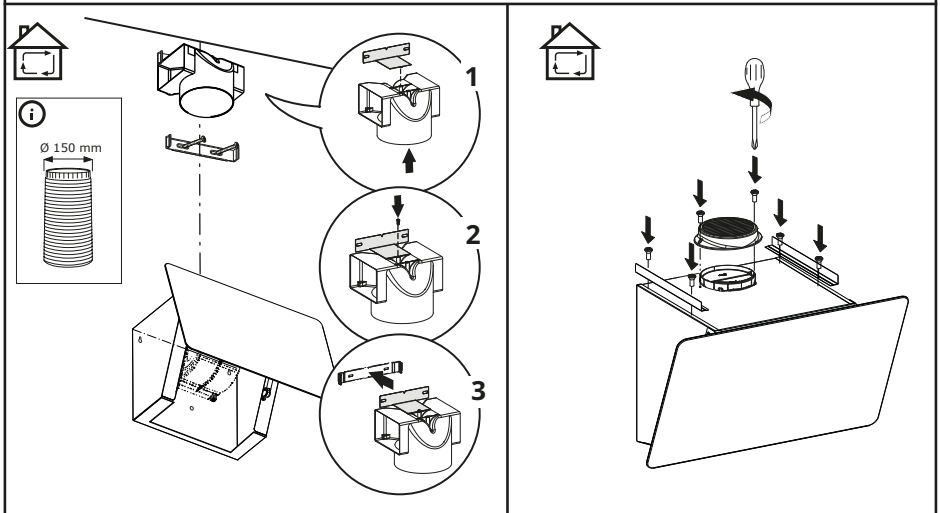
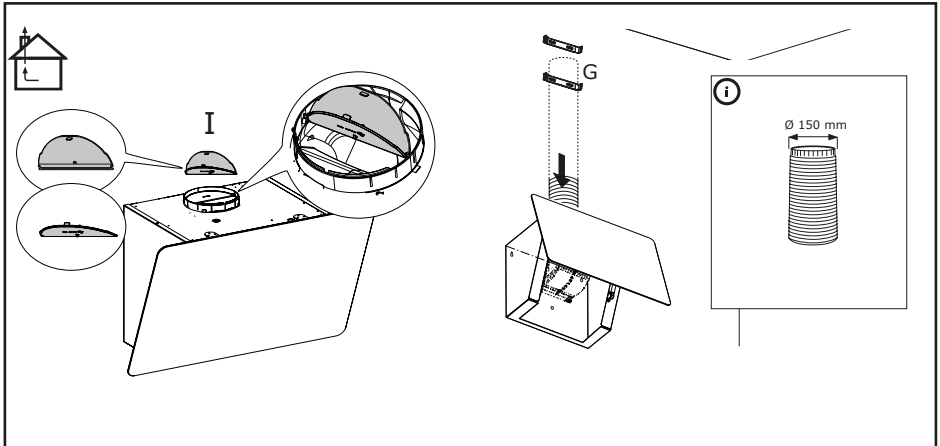


1x




2x





ENGLISH	7
DEUTSCH	15
FRANÇAIS	24
ITALIANO	33

Safety information

 For your own safety and correct operation of the appliance, please read this manual carefully before installation and operation. Always keep these instructions together with the appliance, even if it is sold or transferred to third parties. It is important that users are familiar with all the appliance's operating and safety characteristics.



Connection of the wiring must be performed by a specialist technician.

- The manufacturer cannot be held responsible for any damage resulting from incorrect or inadequate installation.
- The minimum safety distance between the cooker hob and the extractor hood is: 450mm for electrical hob and 450mm for gas hob.
- If the gas hob installation instructions specify a distance greater than that indicated above, this must be taken into account.
- Check that the mains voltage corresponds to that indicated on the rating plate fixed to the inside of the hood.
- The cut-out devices must be installed in the fixed system according to the wiring system regulations.
- For Class I appliances, check that the domestic power supply has a suitable earthing connection.
- Connect the hood to the flue with a pipe with a minimum diameter of 150 mm. The fume path must be as short as possible.
- All the regulations regarding air discharge must be complied with.
- Do not connect the extractor hood to exhaust ducts carrying combustion fumes (boilers, fireplaces, etc.).
- If the extractor is used in conjunction with non-electrical appliances (e.g. gas burning appliances), a sufficient degree of ventilation

must be guaranteed in the room in order to prevent the backflow of exhaust gas.

When the cooker hood is used in conjunction with appliances supplied with energy other than electricity, the negative pressure in the room must not exceed 4 Pa mbar to prevent fumes being drawn back into the room by the cooker hood.

- The air must not be discharged into a flue that is used for exhausting fumes from appliances burning gas or other fuels.
- The power cord, if damaged, must be replaced by the manufacturer or by a service technician.
- Connect the plug to a socket complying with current regulations, located in an accessible place.
- Regarding the technical and safety measures to be adopted for fume discharging it is important to strictly follow the regulations provided by the local authorities.



WARNING: Before installing the hood, remove the protective films.

- Use only screws and small parts of a type suitable for the hood.



WARNING: failure to install the screws or fixing devices in accordance with these instructions may result in electrical hazards.

- Connect the hood to the power supply by means of a bipolar switch with a distance between the contacts of at least 3 mm.
- Do not look directly at the light through optical devices (binoculars, magnifying glasses...).
- Do not flambé under the hood; risk of fire.
- This appliance can be used by children aged from 8 years and above and by persons with reduced physical, sensory or mental capabilities or lacking in experience and knowledge if they have been given supervision or instruction concerning use of

the appliance in a safe way and if they understand the hazards involved. Children must not play with the appliance. Cleaning and maintenance by the user must not be performed by children, unless they are supervised.

- Children should be supervised to ensure that they do not play with the appliance.
- The appliance is not to be used by persons (including children) with reduced physical, sensory or mental capabilities, or lacking in experience and knowledge, unless they have been given supervision or instruction.



The accessible parts may become hot when used with cooking appliances

- Clean and/or replace the filters after the time specified (fire hazard).
- There must be adequate ventilation of the room when the hood is used at the same time as appliances burning gas or other fuels (not applicable to appliances that only discharge the air back into the room).
- Kitchen hoods and other cooking fume extractors can affect the safe operation of appliances which burn gas or other fuels (including those in other rooms) due to the backflow of combustion gases. These gases can cause carbon monoxide poisoning. After installing a kitchen extractor hood or any other cooking fume extractor, make sure that the gas appliances are tested by a certified technician to guarantee that there is no backflow of combustion gases.

Installation

Installation method

The hood has been designed for installation and use in the "suction version" or in the "air recirculation version".



Extraction version (see symbol in the installation instructions)

Cooking steam is suctioned and channelled outside the house through a discharge duct (not supplied), fitted to the hood steam outlet. Make sure that the outlet duct is properly installed at the air outlet, using a suitable connection system.



Air recirculation version (see symbol in the installation instructions)

The air is filtered through one or more carbon filters, and then resent into the room.

Important: Ensure appropriate air circulation around the hood.


Important: If the hood is supplied without carbon filters and installed on recirculation mode, these must be fitted before the hood can be used. The filters are commercially available.

The hood should be installed away from particularly dirty areas, windows, doors and heat sources. Wall mounting accessories are not included as they vary depending on the wall material. Use fixing systems suitable for the walls of your home and for the weight of the appliance. For further details, contact a specialist dealer. Keep this booklet for future consultation.

Environmental aspects

Disposal of household appliances




The  symbol on the product or packaging indicates that the product must not be disposed of with normal domestic waste. The product must be disposed of at a specialist recycling centre for electrical and electronic components. By ensuring that this product is disposed of correctly, you will help prevent possible negative consequences for the environment and health that might result from its improper disposal. For more detailed

information on how to recycle this product, please contact your local municipal offices, local waste disposal service or the shop from which the product was purchased.

The appliance complies with directive 2012/19/EU relating to reduction in the use of dangerous substances in electrical and electronic appliances and waste disposal.

Disposal of packaging materials

Materials with the  symbol can be recycled. Dispose of the packaging in special recycling collection bins.

Cleaning and maintenance

Use

- Switch off or unplug the appliance from the mains supply before carrying out any maintenance work.
- The top of the hood must not be used as a shelf.
- The extractor hood has been designed exclusively for domestic use to eliminate kitchen smells.
- Never use the hood for purposes other than for which it has been designed.
- Never leave high naked flames under the hood when it is in operation.
- Adjust the flame intensity to direct it onto the bottom of the pan only, making sure that it does not engulf the sides.
- Deep fat fryers must be continuously monitored during use: overheated oil can burst into flames.

Cleaning and maintenance

- The grease filters must be cleaned every 2 months of operation, or more frequently for particularly heavy usage, in order to avoid a potential fire hazard, and can be washed in a dishwasher.

- Clean the hood using a damp cloth and a neutral liquid detergent.

Cleaning and maintenance of the long-life carbon filter (green)

- The odour filter can be washed and regenerated every 3-4 months (or more frequently if the hood is subject to intensive use), up to a maximum of 8 regeneration cycles (in case of particularly intensive use it is recommended that you do not exceed 5 cycles).

Regeneration procedure:

- Wash in the dishwasher at a MAX temperature of 70° or hand wash in hot water without using abrasive sponges (do not use detergents!).
- Dry in the oven at a MAX temperature of 70 °C for 2 hours (it is advisable to carefully read the user manual and the assembly instructions of the oven you own).

Replacing the lights

- For Replacement please contact an Authorised Service Centre.

Manufacturer

IKEA of Sweden AB - SE - 343 81 Älmhult, Sweden

Electrical Connection

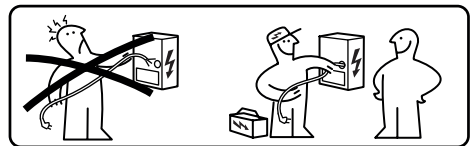


WARNING: All electrical connections must be carried out by an authorised installer.

- Before making the connections, check that the rated voltage of the appliance corresponds to the power supply voltage.



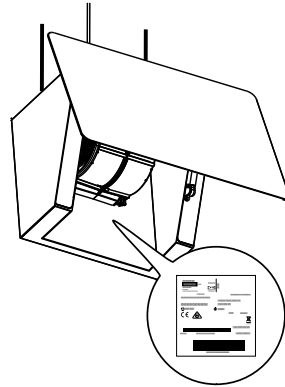
Attention: Do not perform welding on any of the cables.



Rating plate

The technical information is situated in the rating plate on the internal side of the appliance.

The serial number is indicated on the rating plate.



IKEA warranty

How long is the IKEA guarantee valid for?

This guarantee is valid for five (5) years from the original date of purchase of your appliance at IKEA. The original sales receipt is required as a proof of purchase. If service work is carried out under guarantee, this will not extend the guarantee period for the appliance.

Who will execute the service?

IKEA service provider will provide the service through its own service operations or authorized service partner network.

What does this guarantee cover?

The guarantee covers faults of the appliance, which have been caused by faulty construction or material faults from the date of purchase from IKEA. This guarantee applies to domestic use only. The exceptions are specified under the headline "What is not covered under this guarantee?". Within the guarantee period, the costs to remedy the fault e.g. repairs, parts, labour and travel will be covered, provided that the appliance is accessible for repair without special expenditure. On these conditions the respective local regulations are applicable. Replaced parts become the property of IKEA.

How will IKEA intervene to solve the problem?

IKEA appointed Service Provider will examine the product and decide, at its sole discretion, if it is covered under this guarantee. If considered covered, IKEA Service Provider or its authorized service partner through its own service operations, will then, at its sole discretion, either repair the defective product or replace it with the same or a comparable product.

What is not covered under this guarantee?

- Normal wear and tear.
- Deliberate damage or due to negligence, damage caused by failure to follow the operating instructions, improper installation or connection to the incorrect voltage, damage caused by chemical or electro-chemical reactions, rust, corrosion or water damage, including but not limited to damage caused by excessive limescale in the water pipes, and damage caused by weather and natural events.
- Consumable parts including batteries and lamps.
- Non-functional and decorative parts which do not affect normal use of the appliance, including any scratches and possible color differences.

- Accidental damage caused by foreign objects or substances and cleaning or unblocking of filters, drainage systems or soap drawers.
- Damage to the following parts: ceramic glass, accessories, crockery and cutlery baskets, feed and drainage pipes, seals, lamps and lamp covers, screens, knobs, casings and parts of casings. Unless such damages can be proved to have been caused by production faults.
- Cases where no fault could be found during a technician's visit.
- Repairs not carried out by the IKEA-appointed service provider or by an authorised service partner, or repairs where non-original parts have been used.
- Repairs caused by installation which is faulty or not according to specification.
- The use of the appliance in a non- domestic environment i.e. professional use.
- Damage due to transportation. If the customer transports the appliance to his/her home or to another address, IKEA cannot be held responsible for any damage which occurs during transportation. However, if transportation to the customer's address is carried out by IKEA, any damage due to transportation will be covered by this warranty.
- Cost for carrying out the initial installation of the IKEA appliance. If an IKEA-appointed service provider or its authorised service partner repairs or replaces the equipment under the warranty, in any case the supplier or authorised service partner must also reinstall the repaired appliance or the replacement appliance, where necessary.

These limitations do not apply to work carried out properly by qualified personnel and using original parts to adapt the appliance to the safety standards of another EU country.

How country law applies

The IKEA guarantee gives you specific legal rights, which cover or exceed all the local legal demands. These conditions do not, however, in any way limit the consumer's rights outlined in the local legislation.

Area of validity

For household appliances purchased in an EU country and transferred to another EU country, the services will be provided under the warranty conditions which apply in the new country. An obligation to carry out services in the framework of the guarantee exists only if the appliance complies and is installed in accordance with:

- the technical specifications of the country in which the guarantee claim is made;
- the Assembly Instructions and User Manual Safety Information.

The dedicated AFTER SALES for IKEA appliances:

Please don't hesitate to contact IKEA appointed Authorized Service Centre to:

1. make a service request under this guarantee;
2. ask for clarifications on installation of the IKEA appliance in the dedicated IKEA kitchen furniture. The service will not provide support or clarifications about:
 - the installation of complete IKEA kitchens;
 - electrical connections (if the appliance is supplied without cables and plugs), hydraulic connections and connections to the gas supply that must be carried out by an authorised service technician.
3. ask for clarification on the contents of the user manual and specifications of the IKEA appliance.

To ensure that we provide you with the best assistance, please read carefully the Assembly Instructions and/or the User Manual before contacting us.

How to reach us if You need our service



Consult the complete list of IKEA service providers and relevant local phone numbers on the last page of this manual.

Important! To ensure faster service, we recommend that you use the telephone numbers listed at the end of this manual. To request support, always refer to the specific appliance codes indicated in this manual. Before calling us, assure that You have to hand the IKEA article number (8 digit code) and the Serial Number (8 digit code that can be found on the rating plate) for the appliance of which you need our assistance.

Important! SAVE THE SALES RECEIPT!

It is your proof of purchase and required for the guarantee to apply. Note that the receipt reports also the IKEA article name and number (8 digit code) for each of the appliances you have purchased.

Do you need extra help?

For any additional questions not related to After Sales of your appliances please contact your nearest IKEA store call centre. We recommend you read the appliance documentation carefully before contacting us.

Sicherheitsinformationen

-  Für die eigene Sicherheit und die korrekte Funktion des Geräts diese Betriebsanleitung bitte sorgfältig durchlesen, bevor es installiert und in Betrieb genommen wird. Die Bedienungsanleitung stets zusammen mit dem Gerät verwahren, auch wenn es an Dritte weitergeben oder übertragen wird. Es ist wichtig, dass die Benutzer mit allen Funktions- und Sicherheitsmerkmalen des Gerätes vertraut sind.
-  Die Kabel müssen von einem zuständigen Fachmann angeschlossen werden.
- Der Hersteller haftet nicht für etwaige Schäden, die durch die fehlerhafte Installation oder falschen Gebrauch entstehen könnten.
 - Der Mindestsicherheitsabstand zwischen Kochfeld und Dunstabzugshaube beträgt 450 mm für Elektrodunstabzugshauben und 450 mm für Gasdunstabzugshauben.
 - Wenn in der Installationsanleitung des Gaskochfelds ein größerer Abstand als der oben genannte angegeben ist, muss dies berücksichtigt werden.
 - Überprüfen Sie, ob die Netzspannung mit der auf dem Typenschild an der Innenseite der Haube angegebenen Spannung übereinstimmt.
 - Trennvorrichtungen müssen in Übereinstimmung mit den Verkabelungsvorschriften in die fixe Anlage eingebaut werden.
 - Für Geräte der Klasse I muss sichergestellt werden, dass die häusliche Stromversorgung über eine angemessene Erdung verfügt.
 - Schließen Sie die Abzugshaube mit einem Rohr mit einem Mindestdurchmesser von 150 mm an den Schornstein an. Der Rauchweg muss so kurz wie möglich sein.

- Alle Vorschriften zur Abluft müssen eingehalten werden.
 - Schließen Sie die Dunstabzugshaube nicht an Rauchkanäle an, die Verbrennungsdämpfe führen (z.B. von Heizkesseln, Schornsteinen usw.).
 - Wenn die Dunstabzugshaube in Kombination mit nicht-elektrischen Geräten (z.B. Gasgeräten) verwendet wird, muss eine ausreichende Belüftung des Raumes gewährleistet sein, um einen Rückfluss der Abgase zu verhindern. Wenn die Dunstabzugshaube in Kombination mit Geräten verwendet wird, die nicht mit Strom betrieben werden, darf der Unterdruck im Raum 4 Pa nicht überschreiten, um zu verhindern, dass Dämpfe von der Haube zurück in den Raum gezogen werden.
 - Die Luft darf nicht durch einen Kanal abgesaugt werden, der für die Ableitung von Abgasen aus mit Gas oder anderen Brennstoffen betriebenen Verbrennungsgeräten verwendet wird.
 - Wenn das Gerätekabel beschädigt ist, muss es vom Hersteller oder von einem Kundendiensttechniker ersetzt werden.
 - Den Stecker in eine den einschlägigen Vorschriften entsprechende zugängliche Steckdose stecken.
 - Was die technischen und sicherheitstechnischen Maßnahmen für den Rauchabzug anbelangt, so ist es wichtig, dass Sie sich streng an die von den örtlichen Behörden erlassenen Vorschriften halten.
-  **WARNUNG:** Entfernen Sie die Schutzfolien, bevor Sie die Haube montieren.
- Verwenden Sie nur Schrauben und Kleinteile, die für die Haube geeignet sind.
-  **HINWEIS:** Die mangelnde Verwendung von Schrauben und Befestigungselementen gemäß der vorliegenden Anleitung kann zu Stromschlaggefahr führen.

- Schließen Sie die Dunstabzugshaube über einen zweipoligen Schalter mit einem Kontaktabstand von mindestens 3 mm an das Stromnetz an.
 - Nicht direkt mit optischen Instrumenten (Fernglas, Lupe, usw.) in das Licht schauen.
 - Flambieren Sie nicht unter der Haube: es könnte ein Brand entstehen.
 - Dieses Gerät darf von Kindern ab 8 Jahren und von Personen mit beschränkten geistigen, physischen oder sensorischen Fähigkeiten oder mangels Erfahrung und/oder mangels Wissen benutzt werden, vorausgesetzt, sie werden aufmerksam beaufsichtigt oder über den sicheren Gebrauch des Geräts und die damit verbundenen Gefahren eingewiesen. Sicherstellen, dass Kinder nicht mit dem Gerät spielen. Vom Benutzer auszuführende Reinigungs- und Wartungsarbeiten dürfen nicht von Kindern ausgeführt werden, sofern sie nicht dabei beaufsichtigt werden.
 - Kinder müssen beaufsichtigt werden, damit sichergestellt wird, dass sie nicht am Gerät spielen.
 - Dieses Gerät darf nicht von Personen (einschließlich Kindern) mit beschränkten geistigen, physischen oder sensorischen Fähigkeiten oder mangels Erfahrung und/oder mangels Wissen benutzt werden, außer sie werden aufmerksam beaufsichtigt und eingewiesen.
-  Zugängliche Teile können bei der Verwendung von Kochgeräten sehr heiß werden
- Reinigen und/oder ersetzen Sie die Filter nach der angegebenen Zeit (Brandgefahr).
 - Der Raum muss ausreichend belüftet sein, wenn die Abzugshaube gleichzeitig mit Geräten verwendet wird, die mit Gas oder anderen Brennstoffen betrieben werden (gilt nicht für Geräte, die nur Luft in den Raum abführen).

- Die Dunstabzugshauben und andere Wrasenabzüge können den sicheren Betrieb von Geräten, die Gas oder andere Brennstoffe verbrennen (darin eingeschlossen sind die in anderen Räumen), auf Grund des Rückstromes der Verbrennungsgase beeinträchtigen. Diese Gase können eine Kohlenstoffmonoxidvergiftung provozieren. Vergewissern Sie sich nach dem Einbau einer Dunstabzugshaube oder eines anderen Wrasenabzuges, dass die Gasgeräte von kompetenten Personen getestet werden, um zu garantieren, dass es zu keinem Rückstrom der Verbrennungsgase kommt.

Installation

Installationsmodus

Die Dunstabzugshaube ist für die Installation und Verwendung in der "Abluftversion" oder in der "Umluftversion" vorgesehen.



Abluftversion (siehe Symbol in der Installationsanleitung)

Der Kochdampf wird angesaugt und über einen Abluftschlauch (nicht im Lieferumfang enthalten), der am Dampfaustritt der Dunstabzugshaube installiert ist, nach draußen befördert. Achten Sie darauf, dass der Abluftschlauch mit einem geeigneten Anschlussystem ordnungsgemäß am Luftauslass installiert ist.



Umluftversion (siehe Symbol in der Installationsanleitung)

Die Luft wird durch einen oder mehrere Filter gefiltert und dann zurück in den Raum geleitet.

Wichtig: Stellen Sie sicher, dass die Luftzirkulation um die Dunstabzugshaube herum gewährleistet ist.


Wichtig: Wenn die Dunstabzugshaube nicht mit Kohlefiltern geliefert wird, müssen diese bestellt und eingebaut werden, bevor das Gerät in Betrieb genommen wird. Die Filter sind im Handel erhältlich.

Die Dunstabzugshaube muss entfernt von besonders schmutzigen Bereichen, Fenstern, Türen und Wärmequellen installiert werden. Das Zubehör für die Wandmontage ist nicht im Lieferumfang enthalten, da es je nach Wandmaterial variiert. Verwenden Sie Befestigungssysteme, die für die Wände Ihrer Wohnung und das Gewicht des Geräts geeignet sind. Für genauere Informationen wenden Sie sich bitte an einen Fachhändler. Bewahren Sie diese Anleitung zum späteren Nachschlagen auf.

Umweltaspekte

Entsorgung von Elektrogeräten




Das Symbol  auf dem Produkt oder auf der Verpackung weist darauf hin, dass das Produkt nicht als normaler Hausmüll entsorgt werden darf. Das ausrangierte Produkt muss vielmehr bei einer speziellen Sammelstelle für elektrische und elektronische Geräte abgegeben werden. Mit der vorschriftsmäßigen Entsorgung des Produkts trägt der Benutzer dazu bei, schädliche Auswirkungen auf Umwelt und Gesundheit aufgrund der nicht angemessenen Entsorgung zu vermeiden. Für weitere

Informationen über das Recycling dieses Produktes an die Gemeinde, den örtlichen Abfallentsorgungsdienst oder den Händler, bei dem das Gerät gekauft wurde, wenden.

Das Gerät entspricht der Richtlinie 2012/19/EU zur Reduzierung gefährlicher Stoffe in Elektro- und Elektronikgeräten und zur Abfallentsorgung.

Entsorgung von Verpackungsmaterialien

Verpackungsmaterial mit dem Symbol  ist wieder verwendbar. Das Verpackungsmaterial in den dafür vorgesehenen Containern für Recyclingmaterial entsorgen.

Reinigung und Wartung

Gebrauch

- Schalten Sie das Gerät vor allen Wartungsarbeiten aus oder trennen Sie es von der Stromversorgung.
- Die Dunstabzugshaube darf nicht als Arbeitsplatte verwendet werden.
- Die Dunstabzugshaube ist ausschließlich für den Hausgebrauch zur Beseitigung von Gerüchen in der Küche bestimmt.
- Verwenden Sie die Dunstabzugshaube niemals für andere Zwecke als die, für die sie konzipiert wurde.
- Lassen Sie niemals hohe Flammen unter der Dunstabzugshaube, wenn diese in Betrieb ist.
- Stellen Sie die Intensität der Flamme so ein, dass sie nur auf den Boden des Kochgefäßes gerichtet ist und sich nicht um die Seiten wickelt.
- Fritteusen müssen während des Betriebs ständig kontrolliert werden: überhitztes Öl könnte sich entzünden.

Reinigung und Wartung

- Die Fettfilter müssen alle 2 Betriebsmonate oder bei sehr starker Nutzung häufiger gereinigt werden, um eine mögliche Brandgefahr zu vermeiden. Sie können in der Spülmaschine gereinigt werden.

- Reinigen Sie die Dunstabzugshaube mit einem feuchten Tuch und einem neutralen flüssigen Reinigungsmittel.

Reinigung und Wartung des Langzeit-Kohlefilters (grün)

- Der Geruchsfilter kann alle 3-4 Monate (oder häufiger bei intensivem Gebrauch der Abzugshaube) gewaschen und bis zu maximal 8 mal regeneriert werden (bei besonders intensivem Gebrauch empfehlen wir, den Filter nicht mehr als 5 mal zu regenerieren).

Regenerierungsverfahren:

- In der Spülmaschine bei MAX. 70° oder von Hand mit warmem Wasser waschen, ohne scheuernde Schwämme zu benutzen (keine Waschmittel verwenden!).
- 2 Stunden im Ofen bei einer Temperatur von MAX. 70° trocknen (lesen Sie bitte aufmerksam die Gebrauchs- und Montageanleitung Ihres Ofens).

Austausch der Lampen

- Wenden Sie sich für den Austausch an ein autorisiertes Kundendienstzentrum.

Hersteller

IKEA of Sweden AB - SE - 343 81 Älmhult, Schweden

Elektrischer Anschluss

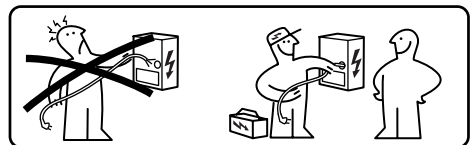


WARNHINWEIS: Alle elektrischen Anschlüsse müssen von einem autorisierten Installateur ausgeführt werden.

- Vor dem Anschließen überprüfen, ob die auf dem Typenschild angegebene Nennspannung des Gerätes mit der Spannung der Netzversorgung übereinstimmt.

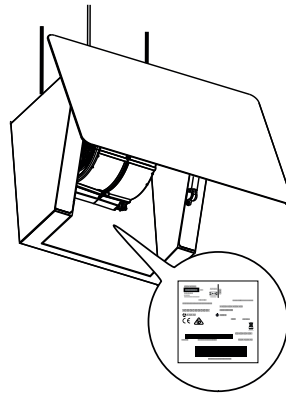


Achtung: Keine Schweißarbeiten an Kabeln ausführen.



Typenschild

Die technischen Daten sind dem Schild im Geräteinnern zu entnehmen.
Auf dem Schild mit den technischen Daten befindet sich die Seriennummer.



IKEA Garantie

Wie lange gilt die IKEA-Garantie?

Diese Garantie hat eine Gültigkeit von fünf (5) Jahren ab Kaufdatum des Geräts bei IKEA. Der Original-Kassenzettel ist als Kaufbeleg unerlässlich. Eine im Laufe der Garantie durchgeführte Reparatur verlängert die Garantiedauer des Geräts nicht.

Wer liefert den Kundendienst?

Der IKEA Kundendienst wird diesen Service über seinen eigenen Kundendienst oder über ein autorisiertes Partner-Netzwerk durchführen lassen.

Was deckt die Garantie ab?

Die Garantie deckt Material- und Produktionsfehler ab. Sie gilt ab dem Datum, an dem das Elektrogerät bei IKEA gekauft wurde. Diese Garantie gilt nur für private Haushalte. Ausnahmen sind unter "Was die Garantie nicht abdeckt" beschrieben. Während der Garantiezeit werden die Reparaturkosten (Ersatzteile, Arbeits- und Reisekosten des technischen Personals) vom Service getragen, sofern der Zugang zum Gerät für die Reparaturarbeiten keinen besonderen Aufwand erfordert. Bei diesen Bedingungen gelten die UE-Richtlinien (Nr.

99/44/EG) und die entsprechenden gesetzlichen Vorschriften. Teile, die ersetzt wurden, gehen in das Eigentum von IKEA über.

Was wird IKEA zur Lösung des Problems tun?

Der von IKEA beauftragte Dienstleister wird das Produkt untersuchen und nach eigenem Ermessen entscheiden, ob das Produkt unter die Garantie fällt. In diesem Fall repariert der IKEA Dienstleister oder sein autorisierter Servicepartner nach eigenem Ermessen das defekte Produkt oder ersetzt es durch ein gleichwertiges oder gleichwertiges Produkt.

Was ist nicht durch diese Garantie abgedeckt?

- Der normale Verschleiß.
- Schäden, die vorsätzlich oder durch Fahrlässigkeit verursacht wurden, Schäden, die durch Nichtbeachtung der Betriebsanleitung, falsche Installation oder Anschluss an eine falsche Spannung entstanden sind, Schäden, die durch chemische oder elektrochemische Reaktionen, Rost, Korrosion oder Wasserschäden verursacht wurden, einschließlich, aber nicht beschränkt auf Schäden, die durch übermäßige Kalkab-

lagerungen in Wasserleitungen entstanden sind, sowie Schäden, die durch Wetter- und Naturereignisse verursacht wurden.

- Verschleißteile wie Batterien und Glühbirnen.
- Dekorative und nicht funktionale Teile, die den normalen Gebrauch des Geräts nicht beeinträchtigen, einschließlich Kratzer und Farbveränderungen.
- Unbeabsichtigte Beschädigung durch Fremdkörper und Reinigung oder Freigabe von Filtern, Abflusssystemen oder Reinigungsmittelwannen.
- Schäden an Teilen wie Glaskeramik, Zubehör, Geschirr und Besteckkörben, Zu- und Abflussrohren, Dichtungen, Glühbirnen und deren Abdeckungen, Blenden, Knöpfe, Verkleidungen und Teilen von Verkleidungen, sofern diese Schäden nicht nachweislich durch Fabrikationsfehler verursacht wurden.
- Fälle, in denen bei einem Besuch durch einen Techniker keine Defekte festgestellt werden.
- Reparaturen, die nicht durch unser autorisiertes Kundendienstpersonal und/oder das autorisierte Kundendienstpersonal unserer Vertragspartner ausgeführt wurden, oder Fälle, in denen keine Originalteile verwendet wurden.
- Reparaturen, die durch fehlerhafte und nicht gemäß der Anleitung durchgeführte Installation verursacht wurden.
- Verwendung des Geräts in einer nicht häuslichen Umgebung, z. B. für den professionellen Einsatz.
- Beschädigung durch den Transport. Wenn ein Kunde das Produkt nach Hause oder an eine andere Adresse transportiert, haftet IKEA nicht für Schäden, die während dieses Transports entstehen. Liefert IKEA das Produkt an die Lieferadresse des Kunden aus, dann sind Schäden, die während der Auslieferung des Produktes entstehen, von der Garantie abgedeckt.
- Kosten für die Erstinstallation des IKEA-Geräts. Wenn jedoch ein von IKEA beauftragter Dienstleister oder sein autorisierter Servicepartner eine Reparatur oder einen Aus-

tausch des Geräts im Rahmen der Garantie durchführt, muss der Dienstleister oder der autorisierte Servicepartner auch für die Neuinstallation des reparierten Geräts oder die Installation des Ersatzgeräts sorgen, falls dies erforderlich ist.

Diese Einschränkung gilt nicht für fehlerfreie Arbeiten, die von qualifiziertem Fachpersonal durchgeführt wurden, um das Gerät an den technischen Sicherheitsstandard eines anderen EU-Landes anzupassen.

Anwendbarkeit nationaler Gesetze

Die IKEA Garantie gibt Ihnen bestimmte gesetzliche Rechte, welche die örtlichen Anforderungen abdecken oder übertreffen. Diese Bedingungen schränken jedoch in keiner Weise die in der lokalen Gesetzgebung beschriebenen Verbraucherrechte ein.

Geltungsbereich

Für Geräte, die in einem EU-Land gekauft und in ein anderes EU-Land mitgenommen werden, stehen die Kundendienstleistungen im Rahmen der Garantiebedingungen bereit, die im neuen Land gültig sind. Die Verpflichtung zur Erbringung von Serviceleistungen im Rahmen der Garantie besteht nur, wenn das Gerät mit den Vorgaben der Garantiebestimmungen übereinstimmt und entsprechend installiert wurde:

- technische Spezifikationen des Landes, in dem der Garantieantrag gestellt wird;
- Sicherheitshinweise, die im Benutzerhandbuch enthalten sind.

After-Sales-Kundendienst für IKEA Geräte:

Zögern Sie nicht, den IKEA-Kundendienst zu kontaktieren, um:

1. Fordern Sie Unterstützung im Rahmen der Garantie an;
2. die Bitte um Klärung von Fragen zur Installation des IKEA Gerätes im speziellen IKEA Küchenmöbel. Der Kundendienst kann keine Fragen beantworten zu:
 - der gesamten IKEA Kücheninstallation;

- Anschlüsse an die Elektrik (falls das Gerät ohne Netzkabel und Stecker kommt), Anschlüsse an Wasser und Gas, da diese Arbeiten von einem autorisierten Kundendiensttechniker ausgeführt werden müssen.

3. die Bitte um Klärung von Fragen zu Inhalten des Benutzerhandbuchs und zu Spezifikationen des IKEA Geräts.

Um sicherzustellen, dass wir Sie stets optimal unterstützen, lesen Sie bitte die Montageanleitung und/oder den Bedienungsanleitungsabschnitt dieser Broschüre durch, bevor Sie sich an uns wenden.

Wie können Sie uns erreichen, wenn Sie uns benötigen



Bitte beachten Sie die vollständige Liste der IKEA Serviceanbieter und deren nationale Telefonnummern auf der letzten Seite dieses Handbuchs.

Wichtig! Damit Sie bei Fragen rasch die zuständige Stelle erreichen, empfehlen wir Ihnen, die am Ende dieser Broschüre aufgelisteten speziellen Telefonnummern zu benutzen. Beziehen Sie sich immer auf die spezifischen Gerätecodes, die in diesem Handbuch zu finden sind. Bevor Sie sich mit uns in Verbindung setzen, stellen Sie bitte sicher, dass Sie den IKEA Produktcode (8-stellig) für das Gerät, für das Sie den Service in Anspruch nehmen möchten, zur Hand haben.


Wichtig! BEWAHREN SIE IHR KAUFBELEG AUF!

Er ist Ihr Kaufnachweis und für einen Garantieanspruch unerlässlich. Auf dem Kaufbeleg sind auch der Name und der Code (8-stellig) jedes IKEA Geräts angegeben, das Sie gekauft haben.

Benötigen Sie zusätzlich Hilfe?

Für alle weiteren Fragen, die nicht den Kundendienst Ihrer Geräte betreffen. Wenden Sie sich bitte an das Callcenter des nächstgelegenen IKEA Einrichtungshauses. Wir empfehlen Ihnen, die Dokumentation des Geräts sorgfältig durchzulesen, bevor Sie uns kontaktieren.

Consignes de sécurité

 Pour la sécurité personnelle et pour le fonctionnement correct de l'appareil, nous vous prions de lire attentivement ce manuel avant l'installation et la mise en marche. Gardez toujours ces instructions avec l'appareil, même en cas de cession ou de transfert à des tiers. Il est important que les utilisateurs connaissent toutes les caractéristiques de fonctionnement et de sécurité de l'appareil.



La connexion des câbles doit être effectuée par un technicien compétent.

- Le fabricant ne pourra être tenu responsable des dommages découlant d'une mauvaise installation ou d'un mauvais usage.
- La distance de sécurité minimale entre la table de cuisson et la hotte aspirante est de 450 mm pour les hottes de cuisinières électriques et de 450 mm pour les hottes de cuisinières à gaz.
- Si les instructions d'installation du plan de cuisson à gaz spécifient une distance supérieure à celle indiquée ci-dessus, il faut en tenir compte.
- Vérifier que la tension du réseau correspond à celle indiquée sur la plaque signalétique fixée à l'intérieur de la hotte.
- Les dispositifs de sectionnement doivent être installés dans l'équipement fixe, conformément aux normes sur les systèmes de câblage.
- Pour les appareils de Classe I, contrôler que le réseau d'alimentation domestique dispose d'un branchement adéquat à la masse.
- Raccorder la hotte au conduit de la fumée avec un tuyau d'un diamètre minimum de 150 mm. Le trajet de la fumée doit être aussi court que possible.
- Toutes les réglementations concernant l'évacuation de l'air doivent être respectées.

- Ne pas raccorder la hotte aspirante à des conduits de fumée qui transportent des fumées de combustion (comme les conduits de chaudières, de cheminées, etc.).
 - Si la hotte est utilisée en combinaison avec des appareils non électriques (par exemple des appareils à gaz), une ventilation suffisante doit être assurée dans la pièce pour éviter le reflux des gaz d'échappement. Lorsque la hotte est utilisée en combinaison avec des appareils qui ne sont pas alimentés par l'électricité, la pression négative dans la pièce ne doit pas dépasser 4 Pa afin d'éviter que les fumées ne soient aspirées par la hotte dans la pièce.
 - L'air ne doit pas être évacué par un conduit utilisé pour l'évacuation des fumées d'appareils à combustion alimentés au gaz ou à d'autres combustibles.
 - Si le cordon d'alimentation est endommagé, faites-le remplacer par le fabricant ou par un technicien d'un service après-vente agréé.
 - Branchez la fiche à une prise conforme aux normes en vigueur et dans une position accessible.
 - En ce qui concerne les mesures techniques et de sécurité à prendre pour l'évacuation des fumées, il est important de suivre strictement les réglementations établies par les autorités locales.
-  **AVERTISSEMENT** : avant d'installer la hotte, retirer les films de protection.
- Utiliser exclusivement des vis et des petites pièces adaptées à la hotte.
-  **AVERTISSEMENT** : toute installation de vis et de dispositifs de fixation non conformes à ces instructions peut entraîner des risques de décharges électriques.
- Branchez la hotte sur le réseau électrique en utilisant un interrupteur bipolaire avec une distance de contact d'au moins 3 mm.

- N'observez pas directement avec des instruments optiques (jumelles, lentilles grossissantes...).
 - Ne pas faire flamber sous la hotte : un incendie pourrait se développer.
 - Cet appareil peut être utilisé par des enfants de plus de 8 ans et par des personnes dont les capacités physiques, sensorielles ou mentales sont diminuées ou ayant une expérience et des connaissances insuffisantes, pourvu que ce soit sous la surveillance attentive d'une personne responsable et après avoir reçu des instructions sur la manière d'utiliser cet appareil en toute sécurité et sur les dangers que cela comporte. Assurez-vous que les enfants ne jouent pas avec cet appareil. Le nettoyage et l'entretien de la part de l'utilisateur ne doivent pas être effectués par des enfants, à moins qu'ils ne soient surveillés.
 - Surveillez les enfants, en vérifiant qu'ils ne jouent pas avec l'appareil.
 - Cet appareil n'est pas destiné à être utilisé par des personnes (enfants compris) dont les capacités physiques, sensorielles ou mentales sont diminuées ou ayant une expérience et des connaissances insuffisantes, à moins que celles-ci ne soient attentivement surveillées et instruites.
-  Les parties accessibles peuvent devenir très chaudes lors de l'utilisation des appareils de cuisson
- Nettoyer et/ou remplacer les filtres après la période de temps indiquée (risque d'incendie).
 - La pièce doit être suffisamment ventilée lorsque la hotte est utilisée en même temps que des appareils utilisant du gaz ou d'autres combustibles (non applicable aux appareils qui ne font qu'évacuer l'air dans la pièce).
 - Les hottes de cuisine et autres aspirateurs de fumées de cuisson peuvent nuire au bon fonctionne-

ment des appareils qui brûlent du gaz ou d'autres combustibles (y compris ceux situés dans d'autres pièces), en raison du retour des gaz de combustion. Ces gaz peuvent provoquer un empoisonnement au monoxyde de carbone. Après

l'installation d'une hotte de cuisine ou de tout autre extracteur de fumées de cuisson, vérifier que les appareils à gaz sont testés par une personne compétente afin de garantir qu'il ne se vérifie pas de reflux de gaz de combustion.

Installation

Modes d'installation

La hotte est conçue pour être installée et utilisée soit en « version aspiration », soit en « version recirculation d'air ».



Version aspiration (voir le symbole dans les instructions d'installation)

La vapeur de cuisson est aspirée et évacuée à l'extérieur de l'habitation par un tuyau d'évacuation (non fourni) installé à la sortie vapeur de la hotte. Veillez à ce que le tuyau d'évacuation soit correctement installé à la sortie d'air, à l'aide d'un système de raccordement approprié.



Version à recirculation d'air (voir symbole dans les instructions d'installation)

L'air est filtré à travers un ou plusieurs filtres, puis renvoyé dans la pièce.

Important : Veillez à ce que l'air circule correctement autour de la hotte.


Important : Si la hotte n'est pas livrée avec des filtres à charbon, ceux-ci doivent être commandés et installés avant l'utilisation de l'appareil. Les filtres sont disponibles dans le commerce.

La hotte doit être installée à l'écart des zones particulièrement sales, des fenêtres, des portes et des sources de chaleur. Les accessoires pour le montage mural ne sont pas inclus car ils varient en fonction du matériau du mur. Utilisez des systèmes de fixation adaptés aux murs de votre habitation et au poids de l'appareil. Pour des informations plus détaillées, veuillez contacter un revendeur spécialisé. Conservez ces instructions pour vous y référer ultérieurement.

Aspects Environnementaux

Élimination des appareils électroménagers




Le symbole  sur le produit ou sur son emballage indique que le produit ne doit pas être jeté avec les déchets ménagers normaux. Cet appareil doit être remis à une déchetterie spécialisée dans le recyclage des composants électriques et électroniques. Assurez-vous que cet appareil a été éliminé correctement, vous participerez ainsi à prévenir les conséquences potentiellement négatives pour l'environnement et pour la santé pouvant découler d'une élimination inappropriée. Pour des informations plus

détaillées sur la manière de recycler ce produit, veuillez contacter votre municipalité, votre déchetterie locale ou le magasin où vous avez acheté ce produit.

Cet appareil est conforme à la directive 2012/19/UE concernant la réduction des substances dangereuses utilisées dans les appareils électriques et électroniques et l'élimination des déchets.

Élimination des matériaux d'emballage

Les matériaux marqués du symbole  sont recyclables. Jeter l'emballage dans les conteneurs à déchets spécialement prévus pour leur recyclage.

Nettoyage et entretien

Utilisation

- Éteindre ou déconnecter l'appareil de l'alimentation électrique avant toute opération d'entretien.
- La hotte ne doit pas être utilisée comme surface d'appui.
- La hotte aspirante est conçue exclusivement pour un usage domestique afin d'éliminer les odeurs de la cuisine.
- Ne jamais utiliser la hotte à d'autres fins que celles pour lesquelles elle a été conçue.
- Ne laissez jamais de flammes vives sous la hotte lorsque celle-ci est en fonctionnement.
- Régler l'intensité de la flamme de manière à ce qu'elle soit dirigée exclusivement vers le fond du récipient de cuisson, en veillant à ce qu'elle n'enveloppe pas les parois.
- Les friteuses doivent être constamment surveillées durant l'utilisation : l'huile surchauffée pourrait prendre feu.

Nettoyage et entretien

- Les filtres à graisse doivent être nettoyés tous les 2 mois de fonctionnement, ou plus fréquemment en cas d'utilisation très intensive, afin d'éviter tout risque d'incendie.

- Nettoyer la hotte à l'aide d'un chiffon humide et d'un détergent liquide neutre.

Nettoyage et entretien du filtre à charbon longue durée (vert)

- Le filtre anti-odeur peut être lavé et régénéré tous les 3-4 mois (ou plus fréquemment en cas d'utilisation intensive de la hotte) jusqu'à un maximum de 8 cycles de régénération (en cas d'utilisation particulièrement intensive, il est conseillé de ne pas dépasser les 5 cycles).

Marche à suivre pour la régénération :

- Laver au lave-vaisselle à une température MAX de 70° ou laver à la main avec de l'eau chaude sans utiliser d'éponges abrasives (ne pas utiliser de produits nettoyants !).
- Sécher au four à une température MAX de 70° pendant 2 heures (lire attentivement le manuel de l'utilisateur et les instructions de montage du four).

Remplacement des lampes

- Pour le remplacement, contactez un centre de service agréé.

Fabricant

IKEA of Sweden AB - SE - 343 81 Älmhult, Suède

Connexion électrique

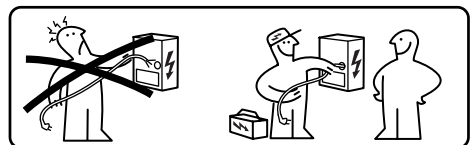


AVERTISSEMENT : Tous les raccordements électriques doivent être effectués par un installateur agréé.

- Avant d'effectuer les raccordements, vérifier que la tension nominale de l'appareil indiquée sur la plaque signalétique correspond à la tension du secteur.

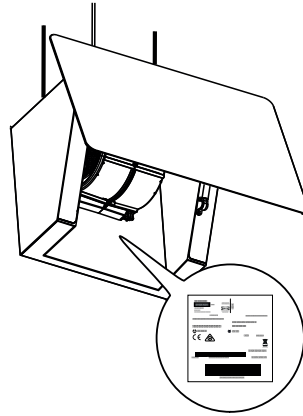


Attention : Ne pas souder les câbles.



Plaque signalétique

Les informations techniques se trouvent sur l'étiquette à l'intérieur de l'appareil. Le numéro de série est indiquée sur l'étiquette des données techniques.



Garantie IKEA

Quelle est la durée de validité de la garantie IKEA ?

Cette garantie est valable cinq (5) ans à compter de la date originale d'achat de l'appareil chez IKEA. L'original du ticket de caisse est indispensable comme preuve de l'achat. Une réparation effectuée dans le cadre de la garantie n'étend pas la période de garantie pour l'appareil.

Qui fournit l'assistance ?

Le service après-vente IKEA se chargera du service par le biais de ses propres services ou du réseau de partenaires autorisés.

Que couvre cette garantie ?

Cette garantie couvre les dommages dus à des composants défectueux ou des défauts de fabrication survenant après la date d'achat chez IKEA. La garantie est uniquement valable sur les appareils électroménagers destinés à un usage domestique. Les exceptions sont indiquées dans le paragraphe "Qu'est-ce qui n'est pas couvert par la garantie ?" Durant la période de validité de la garantie, les frais de réparation (pièces de rechange, main-d'œuvre et déplacements du personnel technique) seront pris en charge par le

service d'assistance, à condition que l'accès à l'appareil pour l'intervention de réparation ne comporte aucun frais supplémentaire. Ces conditions sont conformes aux directives UE (N. 99/44/CE) et aux normes et dispositions locales applicables. Les pièces remplacées deviennent la propriété d'IKEA.

Que fait IKEA en cas de problème ?

Le fournisseur du service d'assistance désigné par IKEA examinera le produit et décidera, à sa seule discrétion, s'il est couvert par la garantie. Si tel est le cas, le fournisseur du service d'assistance IKEA ou son partenaire d'assistance autorisé se chargera, par l'intermédiaire de ses propres centres d'assistance, de réparer le produit défectueux ou de le remplacer par un produit identique ou de la même valeur, à sa seule discrétion.

Qu'est-ce qui n'est pas couvert par la garantie ?

- L'usure normale.
- Les dommages provoqués délibérément ou dus à une négligence, les dommages provoqués par le non-respect des instructions de fonctionnement, par une installation incorrecte ou par un branchement à une tension erronée, les dommages provo-

qués par des réactions chimiques ou électrochimiques, la rouille, la corrosion ou les dommages provoqués par l'eau, y compris, mais sans s'y limiter, les dommages provoqués par la présence d'un excès de calcaire dans les conduites d'eau, et les dommages provoqués par des événements atmosphériques et naturels.

- Les consommables tels que les piles et les ampoules.
- Les parties décoratives et non fonctionnelles qui n'influencent pas l'utilisation normale de l'appareil électroménager, y compris les rayures et les variations de couleur.
- Les dommages accidentels provoqués par des substances ou des corps étrangers et le nettoyage ou la libération des filtres, des systèmes d'évacuation ou des bacs à lessive.
- Les dommages à des pièces comme la vitrocéramique, les accessoires, les paniers à vaisselle et couverts, les tuyaux d'alimentation et d'évacuation, les joints, les ampoules et leurs couvercles, les écrans, les poignées, les revêtements et parties de revêtement, sauf s'il est possible de démontrer que ces dommages ont été provoqués par des défauts de production.
- Les cas où aucun défaut n'a été constaté durant la visite du technicien.
- Les réparations non effectuées par le fournisseur du service nommé par IKEA ou par un partenaire d'assistance autorisé ou les réparations où des pièces non d'origine ont été utilisées.
- Les réparations provoquées par une mauvaise installation ou une installation non conforme aux spécifications.
- L'utilisation de l'appareil électroménager dans un environnement non domestique, par exemple à usage professionnel.
- Les dommages dus au transport. Si le client transporte le produit chez lui ou à une autre adresse, IKEA ne pourra en aucun cas être tenu responsable des dommages survenant pendant le transport. En revanche, si IKEA livre le produit à l'adresse de livraison du client, tout endommagement du produit survenant en cours de transport sera couvert par la présente garantie.

- Frais d'installation initiale de l'appareil IKEA. Cependant, si un fournisseur de service nommé par IKEA ou l'un de ses partenaires d'assistance autorisés effectue une réparation ou un remplacement de l'équipement dans le cadre de la garantie, le fournisseur ou le partenaire d'assistance autorisé devra également procéder à la réinstallation de l'équipement réparé ou à l'installation de l'équipement de remplacement, si nécessaire.

Ces restrictions ne concernent pas les cas où un service après-vente qualifié a travaillé sans faire d'erreur et en utilisant les pièces d'origine afin d'adapter l'appareil aux normes de sécurité techniques d'un autre pays de l'Union européenne.

Applicabilité des lois nationales

La garantie IKEA vous donne des droits légaux spécifiques, qui couvrent ou dépassent les exigences locales. Cependant, ces conditions ne limitent en aucune façon les droits des consommateurs décrits dans la législation locale.

Zone de validité

Pour les appareils achetés dans un pays de l'Union européenne et transportés dans un autre pays de l'Union européenne, les services seront fournis dans le cadre des conditions de garantie valables dans ce dernier. L'obligation de fournir le service selon les conditions de garantie ne subsiste que si l'appareil est conforme et installé conformément aux :

- spécifications techniques du pays dans lequel est demandée l'application de la garantie ;
- consignes de sécurité contenues dans le Manuel d'utilisation.

Service Après-vente dédié aux appareils électroménagers IKEA :

N'hésitez pas à contacter le Service après-vente IKEA pour :

1. demander une assistance couverte par la garantie ;

2. demander des précisions sur l'installation des appareils électroménagers IKEA dans les meubles de cuisine spécifiques d'IKEA. Le service après-vente ne fournira pas de précision en ce qui concerne :

- l'installation de cuisines complètes IKEA ;
- les branchements électriques (si l'appareil est fourni sans câbles et fiches), les raccordements hydrauliques et les branchements à l'installation de gaz qui doivent être effectués par un technicien d'assistance autorisé.

3. demander des précisions sur le contenu du manuel d'utilisation et sur les spécifications de l'appareil électroménager IKEA.

Pour que nous puissions vous fournir la meilleure assistance, lisez attentivement les instructions de montage et/ou le chapitre concerné de la présente notice d'utilisation avant de nous contacter.

Comment nous contacter en cas de besoin ?



Consultez la liste complète des fournisseurs de service IKEA et des numéros de téléphone nationaux dans la dernière page de ce manuel.

Important ! Pour garantir un service plus rapide, il est recommandé d'utiliser les numéros de téléphone indiqués à la fin de ce manuel. Pour demander de l'assistance, toujours faire référence aux codes de l'appareil disponibles dans ce manuel. Avant de nous contacter, assurez-vous d'avoir à portée de main le code produit IKEA (8 chiffres) relatif à l'appareil électroménager pour lequel vous demandez une assistance.



Important ! CONSERVER LE TICKET !

Il s'agit de votre preuve d'achat et il est nécessaire de le présenter pour pouvoir profiter de la garantie. Le nom et le code (à 8 chiffres) de chaque appareil électroménager IKEA que vous avez achetés sont indiqués sur le ticket.

Avez-vous besoin d'aide supplémentaire ?

Pour toute question supplémentaire non liée au service après-vente de vos appareils. Veuillez contacter le centre d'appels de notre magasin IKEA le plus proche. Nous vous recommandons de lire attentivement la notice d'utilisation de l'appareil avant de nous contacter.

Informazioni sulla sicurezza

-  Per la propria sicurezza e per il corretto funzionamento dell'apparecchio, si prega di leggere attentamente questo manuale prima dell'installazione e della messa in funzione. Tenere queste istruzioni sempre insieme all'apparecchio, anche in caso di cessione o trasferimento a terzi. È importante che gli utilizzatori conoscano tutte le caratteristiche di funzionamento e sicurezza dell'apparecchio.
-  Il collegamento dei cavi deve essere effettuato da un tecnico competente.
- Il fabbricante non potrà ritenersi responsabile per eventuali danni risultanti da un'installazione o utilizzazione impropria.
 - La distanza minima di sicurezza tra il piano cottura e la cappa aspirante è di 450 mm per le cappe di cucine elettriche e di 450 mm per le cappe di cucine a gas.
 - Se le istruzioni di installazione del piano cottura a gas specificano una distanza maggiore di quella sopra indicata, è necessario tenerne conto.
 - Controllare che la tensione di rete corrisponda a quella indicata sulla targa dati applicata all'interno della cappa.
 - I dispositivi di sezionamento devono essere installati nell'impianto fisso in conformità alle normative sui sistemi di cablaggio.
 - Per gli apparecchi di Classe I, controllare che la rete di alimentazione domestica disponga di un adeguato collegamento a terra.
 - Collegare la cappa alla canna fumaria con un tubo di diametro minimo di 150 mm. Il percorso dei fumi deve essere il più corto possibile.
 - Devono essere rispettate tutte le normative riguardanti lo scarico dell'aria.
 - Non collegare la cappa aspirante ai condotti fumari che trasportano fumi di combu-

- stione (per es. di caldaie, camini ecc.).
- Se la cappa è utilizzata in combinazione con apparecchi non elettrici (per es. apparecchi a gas), deve essere garantito un sufficiente grado di aerazione nel locale per impedire il ritorno di flusso dei gas di scarico. Quando la cappa per cucina è utilizzata in combinazione con apparecchi non alimentati dalla corrente elettrica, la pressione negativa nel locale non deve superare 4 Pa per evitare che i fumi vengano riaspirati nel locale dalla cappa.
 - L'aria non deve essere evacuata attraverso un condotto utilizzato per lo scarico dei fumi da apparecchi di combustione alimentati a gas o altri combustibili.
 - Il cavo di alimentazione, se danneggiato, deve essere sostituito dal fabbricante o da un tecnico del servizio assistenza.
 - Collegare la spina ad una presa di tipo conforme alle normative vigenti e in posizione accessibile.
 - Relativamente alle misure tecniche e di sicurezza da adottare per lo scarico dei fumi è importante attenersi scrupolosamente ai regolamenti stabiliti dalle autorità locali.
-  **AVVERTENZA:** prima di installare la cappa, rimuovere le pellicole di protezione.
- Usare solo viti e minuteria di tipo idoneo per la cappa.
-  **AVVERTENZA:** la mancata installazione delle viti o dei dispositivi di fissaggio in conformità alle presenti istruzioni può comportare rischi di scosse elettriche.
- Collegare la cappa alla rete di alimentazione elettrica mediante un interruttore bipolare con distanza tra i contatti di almeno 3 mm.
 - Non osservare direttamente con strumenti ottici (binocolo, lente d'ingrandimento...).
 - Non cuocere al flambé sotto la cappa: si potrebbe sviluppare un incendio.

- Questo apparecchio può essere utilizzato da bambini di età non inferiore a 8 anni e da persone con ridotte capacità psico-fisico-sensoriali o con esperienza e conoscenze insufficienti, purché attentamente sorvegliati e istruiti su come utilizzare in modo sicuro l'apparecchio e sui pericoli che ciò comporta. Assicurarsi che i bambini non giochino con l'apparecchio. Pulizia e manutenzione da parte dell'utente non devono essere effettuate da bambini, a meno che non siano sorvegliati.
 - Sorvegliare i bambini, assicurandosi che non giochino con l'apparecchio.
 - L'apparecchio non deve essere utilizzato da persone (bambini compresi) con ridotte capacità psico-fisico-sensoriali o con esperienze e conoscenze insufficienti, a meno che non siano attentamente sorvegliate e istruite.
-  Le parti accessibili possono diventare molto calde durante l'uso degli apparecchi di cottura
- Pulire e/o sostituire i filtri dopo il periodo di tempo specificato (pericolo di incendio).
 - Deve essere presente un'adeguata ventilazione nel locale quando la cappa è utilizzata contemporaneamente ad apparecchi che utilizzano gas o altri combustibili (non applicabile ad apparecchi che scaricano unicamente l'aria nel locale).
 - Le cappe da cucina e altri estrattori dei fumi di cottura possono compromettere il funzionamento sicuro degli apparecchi che bruciano gas o altri combustibili (compresi quelli situati in altri ambienti), a causa del flusso di ritorno dei gas di combustione. Questi gas possono provocare un avvelenamento da monossido di carbonio. Dopo l'installazione di una cappa da cucina o di un qualsiasi altro estrattore dei fumi di cottura, assicurarsi che gli apparecchi a gas vengano testati da una persona competente per garantire che non si verifichi un flusso di ritorno dei gas di combustione.

Installazione

Modalità di installazione

La cappa è stata progettata per l'installazione e l'uso in "versione aspirante" o in "versione ricircolo d'aria".



Versione aspirante (vedere il simbolo nelle istruzioni di installazione)

Il vapore di cottura viene aspirato e convogliato al di fuori dell'abitazione attraverso un tubo di scarico (non in dotazione) installato all'uscita del vapore della cappa. Assicurarsi che il tubo di scarico sia correttamente installato all'uscita dell'aria, utilizzando un sistema di collegamento idoneo.



Versione a ricircolo d'aria (vedere il simbolo nelle istruzioni di installazione)

L'aria viene filtrata attraverso uno o più filtri e poi convogliata nuovamente nel locale.

Importante: Assicurarsi che vi sia una corretta circolazione dell'aria attorno alla cappa.


Importante: Se la cappa non ha in dotazione i filtri al carbone, questi devono essere ordinati e montati prima dell'uso dell'apparecchio. I filtri sono reperibili in commercio.

La cappa deve essere installata lontano da aree particolarmente sporche, finestre, porte e fonti di calore. Gli accessori per il fissaggio a parete non sono inclusi perché variano a seconda del materiale della parete. Utilizzare sistemi di fissaggio idonei alle pareti della propria abitazione e al peso dell'apparecchio. Per informazioni più dettagliate, contattare un rivenditore specializzato. Conservare queste istruzioni per future consultazioni.

Aspetti Ambientali

Smaltimento degli elettrodomestici




Il simbolo  sul prodotto o sulla sua confezione indica che il prodotto non deve essere smaltito insieme ai normali rifiuti domestici. Il prodotto deve essere smaltito presso un centro specializzato nel riciclaggio di componenti elettrici ed elettronici. Assicurandosi che questo prodotto sia smaltito correttamente, contribuirà a prevenire potenziali conseguenze negative per l'ambiente e per la salute che potrebbero altrimenti derivare da uno smaltimento inadeguato. Per informazioni più dettagliate

su come riciclare questo prodotto, rivolgersi alle autorità municipali, al locale servizio di smaltimento rifiuti oppure al negozio dove è stato acquistato il prodotto.

L'apparecchio è conforme alla direttiva 2012/19/UE riguardante la riduzione delle sostanze pericolose usate nelle apparecchiature elettriche ed elettroniche e lo smaltimento dei rifiuti.

Smaltimento dei materiali d'imballaggio

I materiali con il simbolo  sono riciclabili. Smaltire i materiali d'imballaggio in appositi contenitori di raccolta per il riciclaggio.

Pulizia e manutenzione

Uso

- Spegnerne o scollegare l'apparecchio dalla rete di alimentazione prima di qualunque operazione di manutenzione.
- La cappa non deve essere utilizzata come piano d'appoggio.
- La cappa aspirante è progettata esclusivamente per l'uso domestico allo scopo di eliminare gli odori dalla cucina.
- Non usare mai la cappa per scopi diversi da quelli per cui è stata progettata.
- Non lasciare mai fiamme alte sotto la cappa quando è in funzione.
- Regolare l'intensità della fiamma in modo da dirigerla esclusivamente verso il fondo del recipiente di cottura, assicurandosi che non ne avvolga i lati.
- Le friggitorici devono essere costantemente controllate durante l'uso: l'olio surriscalda-tore potrebbe incendiarsi.

Pulizia e manutenzione

- I filtri antigrasso devono essere puliti ogni 2 mesi di funzionamento, o più frequentemente in caso di utilizzo molto intenso, al fi-

ne di evitare un potenziale pericolo di incendio e possono essere lavati in lavastoviglie.

- Pulire la cappa utilizzando un panno umido e un detergente liquido neutro.

Pulizia e manutenzione del Filtro al carbone a lunga durata (verde)

- Il filtro antiodori può essere lavato e rigenerato ogni 3-4 mesi (o più frequentemente se la cappa è sottoposta a un uso intensivo), fino a un massimo di 8 cicli di rigenerazione (in caso d'uso particolarmente intensivo si raccomanda di non superare i 5 cicli).

Procedura di rigenerazione:

- Lavare in lavastoviglie a una temperatura MAX di 70° o lavare a mano in acqua calda senza usare spugne abrasive (non usare detersivi!).
- Asciugare in forno a una temperatura MAX di 70° per 2 ore (si raccomanda di leggere attentamente il manuale d'uso e le istruzioni di montaggio del proprio forno).

Sostituzione delle lampade

- Per la sostituzione, contattare un centro di assistenza autorizzato.

Produttore

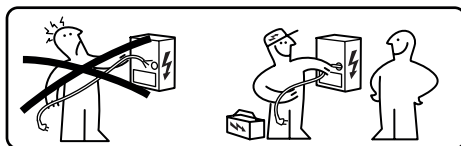
IKEA of Sweden AB - SE - 343 81 Älmhult, Sweden

Connessione Elettrica

AVVERTENZA: Tutti i collegamenti elettrici devono essere eseguiti da un installatore autorizzato.

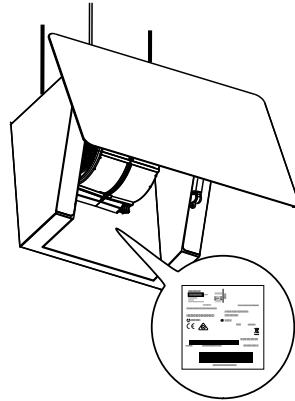
- Prima di eseguire i collegamenti, verificare che la tensione nominale dell'apparecchio indicata sulla targhetta dati corrisponda alla tensione della rete di alimentazione.

Attenzione: Non effettuare saldature sui cavi.



Targhetta dati

Le informazioni tecniche si trovano nell'etichetta sul lato interno dell'apparecchio. Nell'etichetta dato tecnico è indicato il seriale.



Garanzia IKEA

Per quanto è valida la garanzia IKEA?

Questa garanzia è valida per cinque (5) anni dalla data originale di acquisto dell'apparecchio presso IKEA. Lo scontrino originale è indispensabile come ricevuta d'acquisto. Una riparazione effettuata nell'ambito della garanzia non estende il periodo di garanzia per l'apparecchio.

Chi fornisce l'assistenza?

L'assistenza ai clienti sarà garantita dal fornitore del servizio nominato da IKEA attraverso la propria organizzazione o la propria rete di partner di assistenza autorizzati.

Cosa copre la garanzia?

La garanzia copre gli eventuali difetti legati ai materiali e o alla costruzione dell'elettrodomestico ed è valida a partire dalla data di acquisto dell'elettrodomestico presso un punto vendita IKEA. La garanzia è valida solo su elettrodomestici destinati all'impiego domestico. Le eccezioni sono descritte alla voce "Cosa non copre la garanzia". Nel periodo di validità della garanzia, i costi di riparazione (pezzi di ricambio, manodopera e trasferte del personale tecnico) saranno sostenuti dal

servizio assistenza, a patto che l'accesso all'apparecchio per l'intervento di riparazione non comporti spese particolari. Queste condizioni sono conformi alle direttive UE (N. 99/44/CE) e alle norme e disposizioni locali applicabili. Le parti sostituite diventeranno di proprietà di IKEA.

Come interverrà IKEA per risolvere il problema?

Il fornitore del servizio assistenza incaricato da IKEA esaminerà il prodotto e deciderà, a propria esclusiva discrezione, se lo stesso rientra nella copertura di garanzia. In caso affermativo, il fornitore del servizio assistenza IKEA o il suo partner di assistenza autorizzato, tramite i propri centri di assistenza, provvederà a propria esclusiva discrezione a riparare il prodotto difettoso o a sostituirlo con un prodotto uguale o di pari valore.

Cosa non copre la garanzia?

- Normale usura.
- Danni provocati deliberatamente o dovuti a negligenza, danni causati dalla mancata osservanza delle istruzioni di funzionamento, da un'installazione non corretta o da collegamento a un voltaggio errato, danni provocati da reazioni chimiche o elettrochimiche.

che, ruggine, corrosione o danni causati da acqua, inclusi a titolo non limitativo i danni causati dalla presenza di eccessivo calcare nelle condutture idriche, e danni causati da eventi atmosferici e naturali.

- Parti soggette ad usura, per esempio batterie e lampadine.
- Parti decorative e non funzionali che non influiscono sul normale utilizzo dell'elettrodomestico, compresi graffi e variazioni di colore.
- Danni accidentali provocati da sostanze o corpi estranei e pulizia o liberazione dei filtri, sistemi di scarico o cassette del detersivo.
- Danni a parti come vetroceramica, accessori, cesti per stoviglie e posate, tubi di alimentazione e scarico, guarnizioni, lampadine e relative coperture, schermi, pomelli, rivestimenti e parti di rivestimenti, salvo qualora si possa dimostrare che tali danni siano stati causati da difetti di produzione.
- Casi in cui non siano rilevati difetti durante la visita di un tecnico.
- Riparazioni non effettuate dal fornitore del servizio nominato da IKEA o da un partner di assistenza autorizzato o riparazioni in cui siano state utilizzate parti non originali.
- Riparazioni causate da installazione impropria o non conforme alle specifiche.
- Uso dell'elettrodomestico in ambiente non domestico, per esempio per uso professionale.
- Danni dovuti al trasporto. In caso di trasporto effettuato dal cliente presso la propria abitazione o un altro recapito, IKEA non potrà ritenersi responsabile per eventuali danni verificatisi durante il trasporto. Tuttavia, se il trasporto presso il recapito del cliente è effettuato da IKEA, gli eventuali danni dovuti al trasporto rientreranno nella presente garanzia.
- Costo di installazione iniziale dell'apparecchio IKEA. Tuttavia, se un fornitore di servizio nominato da IKEA o un suo partner di assistenza autorizzato effettua una riparazione o sostituzione dell'apparecchiatura nell'ambito della garanzia, il fornitore o il partner di assistenza autorizzato dovrà

provvedere anche alla reinstallazione dell'apparecchiatura riparata o all'installazione dell'apparecchiatura sostitutiva, ove necessario.

Tali limitazioni non si applicano a lavori eseguiti a regola d'arte da personale qualificato e con l'uso di parti originali per adattare l'apparecchio alle norme di sicurezza di un'altra nazione dell'UE.

Applicabilità delle leggi nazionali

La garanzia IKEA conferisce al cliente diritti legali specifici in aggiunta ai diritti previsti dalla legge e variabili a seconda dei paesi. Tuttavia, tali condizioni non limitano in alcun modo i diritti del consumatore descritti nella legislazione locale.

Area di validità

Per gli elettrodomestici acquistati in una nazione UE e trasferiti in un'altra nazione UE, i servizi saranno forniti in base alle condizioni di garanzia applicabili nella nuova nazione. L'obbligo di fornire il servizio in base alle condizioni della garanzia sussiste solo se l'apparecchio è conforme e installato conformemente alle:

- specifiche tecniche del paese in cui è richiesta l'applicazione della garanzia;
- informazioni per la sicurezza contenute nel Manuale d'uso.

Servizio Assistenza post-vendita dedicato agli elettrodomestici IKEA:

Non esitate a contattare il Servizio Assistenza post-vendita IKEA per:

1. chiedere assistenza usufruendo della garanzia;
2. chiedere chiarimenti sull'installazione degli elettrodomestici IKEA nei mobili da cucina specifici di IKEA. Il servizio non fornirà assistenza o chiarimenti in merito a:
 - installazione di cucine complete IKEA;
 - collegamenti elettrici (se l'apparecchio è fornito senza cavi e spine), allacciamenti idraulici e collegamenti all'impianto del gas che devono essere eseguiti da un tecnico di assistenza autorizzato.

3. chiedere chiarimenti sul contenuto del manuale d'uso e sulle specifiche dell'elettrodomestico IKEA.

Per garantirvi la migliore assistenza, Vi preghiamo di leggere attentamente le Istruzioni di montaggio e/o il Manuale d'uso prima di contattarci.

Come contattarci se avete bisogno del nostro intervento



Consultare l'elenco completo dei fornitori di servizio IKEA e dei relativi numeri di telefono nazionali nell'ultima pagina del presente manuale.

Importante! Per garantire un servizio più rapido, raccomandiamo di utilizzare i numeri di telefono elencati alla fine del presente manuale. Per richiedere assistenza, fate sempre riferimento ai codici specifici dell'apparecchio che trovate nel presente manuale. Prima di contattarci, assicuratevi di avere a portata di mano il codice prodotto IKEA (8 cifre) relativo all'elettrodomestico per il quale richiedete assistenza.

Importante! CONSERVATE LO SCONTRINO! È la Vostra prova di acquisto ed è necessario esibirlo per poter usufruire della garanzia. Sullo scontrino sono riportati anche il nome e il codice (a 8 cifre) di ciascun elettrodomestico IKEA che avete acquistato.

Vi serve altro aiuto?

Per ulteriori domande non inerenti il servizio assistenza sulle apparecchiature, contattare il più vicino punto vendita IKEA. Vi preghiamo di leggere attentamente la documentazione dell'apparecchiatura prima di contattarci.

Country name in local languages	Telephone number	Opening times
Österreich	13602771461	Mo-Fr: 8 - 20
België / Belgique	26200311	Ma-Vr: 8 - 20 / Lun-Ven: 8 - 20
България	02 4003536	Пон-Пт: 8 - 20
Canarias	913754126	Lunes-Viernes: 8 - 20
Κύπρος	http://www.ikea.com	8 - 20
Hrvatska	0800 3636	Pon-Pet: 8 - 20
Česká republika	225376400	Po-Pá: 8 - 20
Danmark	70150909	Man.-Fre.: 9 - 20
Eesti	http://www.ikea.com	E-R: 8 - 20
Suomi	981710374	Lu-Ve: 8 - 20
France	170480513	Lun-Ven: 9 - 21
Deutschland	6929993602	Mo-Fr: 8 - 20
Great Britain	2076601517	Mon-Fri: 8 - 20
Ελλάδα	2109696497	Δευ-Παρ: 8 - 20
Magyarország	(06-1)-3285308	Hétfő-Péntek: 8 - 20
Italia	+39 02/38591334	Lun-Ven: 8 - 20
Ireland	2076601517	Mon-Fri: 8 - 20
Ísland	5852409	Mánudagur-Föstudagur Kl.: 8 - 20
Latvija	http://www.ikea.com	P.- Pk.: 8 - 20
Lietuva	(0) 520 511 35	Pirm.-Penkt.: 8 - 20
Mayorca	913754126	Lunes-Viernes: 8 - 20
Malta	+356 (0)25464000	Mon-Fri: 8 - 20
Norge	23500112	Man-Fre: 8 - 20
Nederland	050-7111267 / +31 507111267	Ma-Vr: 8 - 20
Polska	225844203	Poniedziałek-Piątek: 8 - 20
Portugal	213164011	Seg.-Sex.: 9 - 21
România	021 2044888	Luni-Vineri: 8 - 20
Россия	84957059426	Пон-Пятн: 9 - 21
Србија	011 7 555 444	Пон-Пет: 8 - 20
Slovensko	(02) 50102658	Pon-Pia: 8 - 20
Slovenija	+386-1-8107781	Ponedeljek-Petek: 8 - 20
España	913754126	Lunes-Viernes: 8 - 20
Sverige	0775-700 500	Mån-Fre: 8 - 20
Schweiz / Suisse / Svizzera (Ticino)	225675345	8 bis 20 Werktage / Lun-Ven: 8 - 20
Türkiye	+90/262/644 65 95	Pzt-Cuma: 8 - 20
Україна	http://www.ikea.com	Понеділок-П'ятниця: 8 - 20
Марок / المغرب	+212 (5) 20100900 www.ikea.com	

