

ÖVERNÄS

en
de
fr
it



Design and Quality
IKEA of Sweden

ENGLISH	5
DEUTSCH	12
FRANÇAIS	20
ITALIANO	28

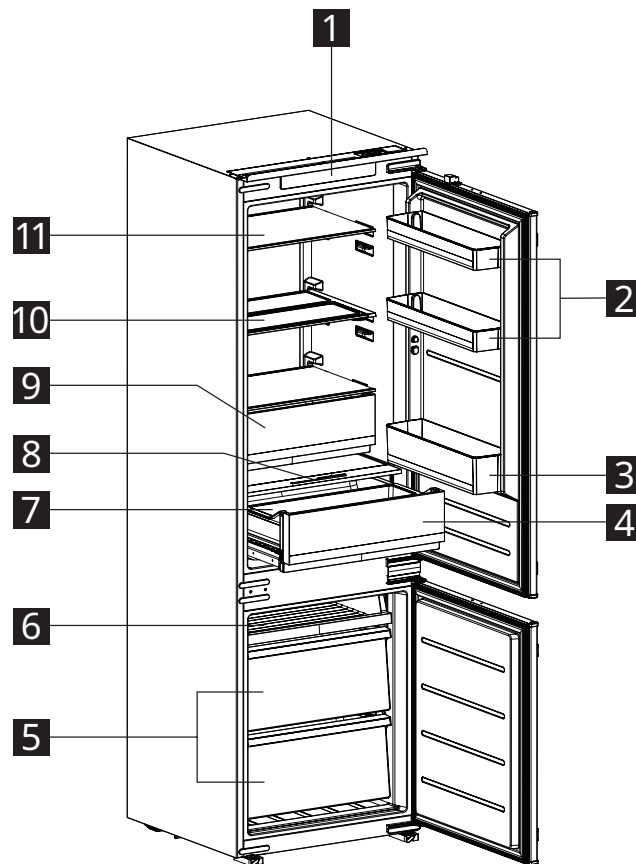


www.ikea.com



Product description

Product overview



- | | |
|---------------------------|----------------------------------|
| 1 Control panel | 7 Sliding tray |
| 2 Door balconies | 8 Humidity slider |
| 3 Bottle balcony | 9 Low temperature drawer |
| 4 Vegetable drawer | 10 Extendable glass shelf |
| 5 Freezer drawers | 11 Glass shelf |
| 6 Freezer tray | |

First use

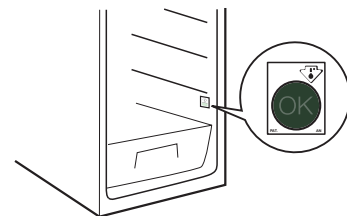
Connect the appliance to the power supply. The ideal food storage temperatures are already factory-set (intermediate).

Important!

This appliance is sold in France.

In accordance with regulations valid in this country it must be provided with a special device (see figure) placed in the lower compartment of the fridge to indicate the coldest zone of it.

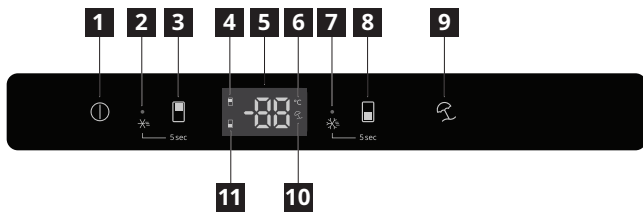
Note: After being switched on, the appliance needs 4-5 hours in order to reach the correct temperature to store a typical volume of food.



Picture for reference only

Operation

Control panel



- 1** On/Off button
- 2** Super cooling mode indicator
- 3** Refrigerator temperature button
- 4** Refrigerator indicator
- 5** LCD screen
- 6** Temperature unit indicator
- 7** Super freezing mode indicator
- 8** Freezer temperature button
- 9** Vacation mode button
- 10** Vacation mode indicator
- 11** Freezer indicator

Note: Do not use sharp objects to operate the control panel. They can scratch or damage the control panel.

Switching on

When you connect the mains plug to a power socket, the appliance switches on, emits a ring and starts operating using the default or last used settings.

Switching off

- To switch off the appliance, tap and hold the On/Off button (1) for 10 seconds. The appliance turns off the control panel and stops operating. **Note:** When the appliance is off, all control panel buttons except the On/Off button (1) are disabled. If you tap a disabled button, the appliance emits a ring.
- To switch the appliance back on, tap and hold the On/Off button (1) for 10 seconds. The appliance turns on the control panel and resumes its operation.
- To disconnect the appliance from the power supply, disconnect the mains plug from the power socket.

Display

- After you plug in the appliance, the entire LCD screen and all indicators will light up for 3 seconds. Then the screen starts showing the set temperature for the refrigerator compartment in °C.
- To view the set temperature for the freezer compartment, tap the Freezer temperature button (8). The Freezer indicator (11) lights up.

- To view the set temperature for the refrigerator compartment again, tap the Refrigerator temperature button (3). The Refrigerator indicator (4) lights up.
- If the door is closed and you do not tap any button, the LCD screen and all relevant indicators will turn off in 15 seconds. To turn them back on, tap any button or open the door.
- In case of a known failure, the appliance shows one of the following error codes on the LCD screen and beeps. To stop the beeping, tap any button.

Error code	Fault
E1	Refrigerator temperature sensor failure
E2	Freezer temperature sensor failure
E5	Freezer defrosting temperature sensor failure
E7	Ambient temperature sensor failure
E6	Internal communication failure

Note: If you see one of these error codes, contact an Authorised Service Centre for advice.

Setting the temperatures

Recommended temperatures

Refrigerator compartment: +5°C (factory setting)

Freezer compartment: -20°C (factory setting)

When you plug in the appliance for the first time, it sets the temperatures to the factory default temperatures. When you plug in or switch on the appliance again, it sets the temperatures to the last set temperatures unless its memory function is off.

- To adjust the refrigerator temperature, tap the Refrigerator temperature button (3) to cycle through the available temperatures (2°C to 8°C) until your desired temperature appears on the screen. The Refrigerator indicator (4) blinks during the adjustment and stops blinking when the set temperature takes effect.



- To adjust the freezer temperature, tap the Freezer temperature button (8) to cycle through the available temperatures (-24°C to -16°C) until your desired temperature appears on the screen. The Freezer indicator (11) blinks during the adjustment and stops blinking when the set temperature takes effect.



Tips:

- You cannot adjust the refrigerator and freezer temperatures when the appliance is in vacation mode.
- The lower the set temperature, the longer you can safely store your food and the more electricity the appliance consumes.
- The higher the set temperature, the quicker your stored food decays and the less electricity the appliance consumes.

Super cooling mode

Note: The Super cooling function is specifically designed to rapidly cool down newly placed food in the fridge compartment. If you have a significant amount of warm food, such as after grocery shopping, it is recommended to activate the Super cooling function. By doing so, you can ensure quick cooling of the products and reduce the temperature rise, thereby effectively prolonging the preservation of all the other food items inside.

- To put the appliance into super cooling mode, tap and hold the Refrigerator temperature button (❏) for 5 seconds. The Super cooling mode indicator (❏) blinks and the appliance displays 2°C on the screen. This mode will take effect when this indicator stops blinking.
- The appliance will automatically exit super cooling mode after being in this mode for 6 hours or when the refrigerator temperature reaches 2°C. To exit this mode earlier, tap the Refrigerator temperature button (❏).

Super freezing mode

Note: The super freezing function is designed to maintain the nutritional value of food in the freezer compartment. It can freeze the food in the shortest time. If a large amount of food is frozen at one time or the food needs to be frozen quickly, it is recommended to turn on the super freezing function and put the food in. At this time, freezing speed of freezer compartment will be increased. Energy consumption increases while the function is ON.

- To put the appliance into super freezing mode, tap and hold the Freezer temperature button (❏) for 5 seconds. The Super freezing mode indicator (❏) blinks and the appliance displays -24°C on the screen. This mode will take effect when this indicator stops blinking.
- The appliance will automatically exit super freezing mode after being in this mode for 40 hours. To exit this mode earlier, tap the Freezer temperature button (❏).

Vacation mode

Before leaving the appliance unused for a long time, you can put it into vacation mode to save energy. In vacation mode, the appliance does not cool the

refrigerator compartment and keeps the freezer compartment at a temperature of -20°C.

Notes:

- Do not store any food in the refrigerator compartment when the appliance is in vacation mode. Leave the refrigerator door open just enough to allow air to circulate inside the compartment. This will prevent the formation of mould and unpleasant odours.
- Both the Refrigerator temperature button (❏) and Freezer temperature button (❏) are disabled when the appliance is in vacation mode.
- To put the appliance into vacation mode, tap and hold the Vacation mode button (❏) for 3 seconds. The Vacation mode indicator (❏) blinks and the appliance displays -20°C on the screen. This mode will take effect when this indicator stops blinking.
- To exit vacation mode, tap and hold the Vacation mode button (❏) for 3 seconds. The Vacation mode indicator (❏) turns off.

Memory function

The appliance has a memory function that is on in most cases. If you switch off or unplug the appliance, or in case of a power outage, it will resume its operation using the last used settings after switching on again.

Similarly, after the appliance exits super cooling, super freezing or vacation mode, it will continue to operate using the settings used before entering that mode.

Notes:

- The appliance will not remember the elapsed time for super cooling or super freezing mode. So, for instance, if it returns to super cooling mode after switching on again, it will always run this mode for 6 hours before exiting automatically.
- The appliance will turn on its memory function only after it has operated continuously for more than 30 minutes. So, if you switch it off after it has operated continuously for less than 30 minutes, it will not remember the last used settings.

Door opening and closing

- The LED light inside the refrigerator compartment turns on when the refrigerator door opens and turns off when the door closes.
- The LCD screen and all relevant indicators turn on when the refrigerator door opens and turn off 15 seconds after the door closes.

Door opening alarm

- If the refrigerator door remains open for more than 120 seconds, the door opening alarm will go off. To stop the alarm, close the open door or tap any button.

- If you stop the alarm by tapping a button and keep the door open, the alarm will go off again after another 120 seconds. If you keep the door open for over 15 minutes, the appliance will turn off the

alarm and LED light, and continue operating as usual.

- **Note:** The door opening alarm is disabled when the appliance is in vacation mode.

Daily use

Low temperature drawer

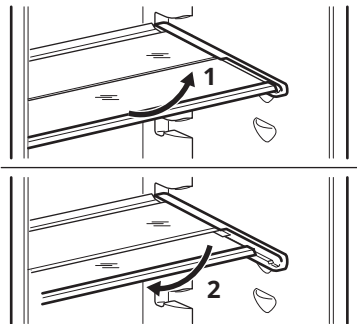
- The low temperature drawer is the coldest zone in the refrigerator compartment. It maintains a temperature that is 1 or 2°C lower than the set temperature.
- Store perishable foods such as fish, sausages and meat in this drawer, so that they will stay fresh longer. **Note:** Store fresh meat in this drawer for no more than two days to guarantee the best freshness.

Extendable glass shelf

This appliance is equipped with an extendable glass shelf in the refrigerator compartment. The front half of the shelf can be placed in front of or under the rear half to suit your needs.

To fold the shelf:

1. Take out the front half gently.
2. Slide it into the lower rail and under the rear half.



Vegetable drawer with humidity control

The vegetable drawer is the best storage location for fresh fruit and vegetables. You can adjust the air humidity in the vegetable drawer via the humidity slider. This allows fresh fruit and vegetables to be stored twice as long as with conventional storage.

The air humidity in the vegetable drawer can be set according to the type and amount of products to be stored:

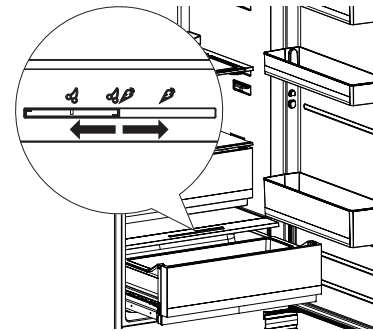
Products	Suggested air humidity
Mainly fruit or a large load	Lower
Mainly vegetables, a mixed load or a small load	Higher

Notes:

- Fruit sensitive to cold (e.g. pineapple, banana, papaya and citrus fruit) and vegetables sensitive to cold (e.g. aubergines, cucumbers, zucchini, peppers, tomatoes and potatoes) should be stored outside the refrigerator at temperatures of about 8-12°C for optimum preservation of quality and flavour.
- Condensation may form in the vegetable drawer depending on the food and quantity stored. Remove condensation with a dry cloth and adjust air humidity in the vegetable drawer with the humidity slider.

The humidity slider is on the front of the vegetable drawer cover.

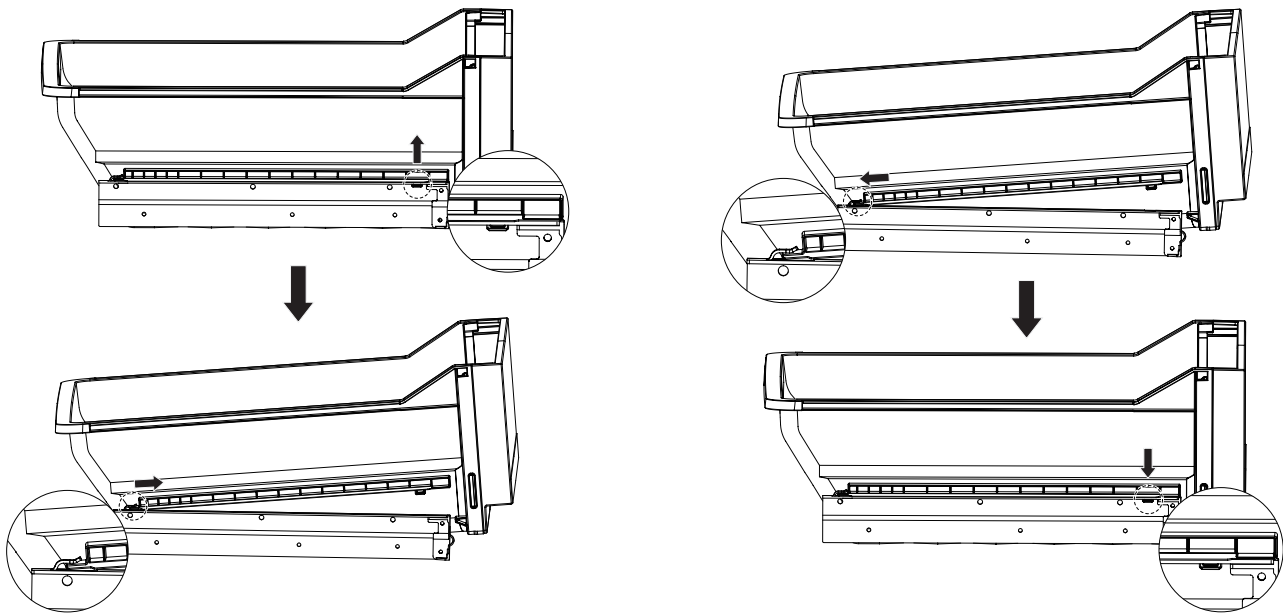
- To increase the air humidity, move the slider rightwards.
- To reduce the air humidity, move the slider leftwards.



The vegetable drawer is attached to a sliding base and can be removed from the appliance.

To remove the vegetable drawer, follow these steps:

1. Fully pull out the drawer.
2. Lift the front of the drawer off the base.
3. Pull the drawer away from the base.



To reinstall the vegetable drawer, follow these steps:

1. Fully pull out the base.
2. Place the back of the drawer onto the base, then slide the two rear tabs into the two slots of the base.
3. Insert the two front tabs into the base.

Hints

Hints for fresh food refrigeration

- Cover or wrap the food, particularly if it has a strong flavour.
- Position the food so that air can circulate freely around it.
- For best performance, leave enough space in the refrigerator compartment for air to circulate around the packages. Also leave enough room at the front so the door can close tightly.
- Do not store warm food or evaporating liquids in the refrigerator.
- Meat (all types): wrap in suitable packaging and place on the glass shelf above the vegetable drawer. Store meat for at most 1-2 days.
- Cooked foods and cold dishes: cover and place on any shelf.
- Fruit and vegetables: clean thoroughly and place in the vegetable drawer. Bananas, potatoes, onions and garlic must not be kept in the refrigerator if not packed.
- Butter and cheese: place in special airtight containers or wrap in aluminium foil or polythene bags to exclude as much air as possible.
- Bottles: close with caps and place on the door balconies.

Freezing fresh food

- The quantity of fresh food that can be frozen in 24 hours is shown on the rating plate.
- Do not allow fresh, unfrozen food to touch food which is already frozen, thus avoiding a rise in temperature of the latter.
- Place fresh food in the freezing area of the freezer compartment leaving enough space between items to allow air to circulate freely.
- Wrap food to protect it from any water, humidity or condensation; this will prevent the spread of any odours in the refrigerator, while also ensuring better storage of frozen food.
- Lean foods store better and longer than fatty ones; salt reduces the storage life of food.
- Never place warm food in the freezer. Cooling hot foods before freezing saves energy and prolongs the life of the appliance.
- Do not refreeze partially thawed food.

Installation

- ⚠ WARNING!** Before installing the appliance, carefully read the safety information in Safety & Warranty booklet.
- ⚠ WARNING!** Refer to the separate Assembly Instructions to install your appliance.
- ⚠ WARNING!** Fix the appliance in accordance with the separate Assembly Instructions to avoid a risk of instability of the appliance.

Location

This appliance should be installed in a dry, well ventilated indoor location. Do not install the appliance near heat sources (e.g. ovens, stoves, radiators, cookers and hobs) or in a place with direct sunlight.

- ⓘ** If you have any doubts regarding installation, please turn to the vendor, our customer service or the nearest Authorised Service Centre.
- ⓘ** It must be possible to disconnect the appliance from the mains power supply. The plug must therefore be easily accessible after installation.

Inspection checklist

Please follow the inspection checklist before using your appliance. If any answer is "NO", follow the relevant action. Remember to write down the product serial number and article number as required and attach your receipt to this page.

Product serial number (Ser. No.):

.....

Product article number (Art. No.):

.....

Purchasing date:

.....

To check	If the answer is NO
Make sure the gasket seals all around the door when each door is closed.	Refer to the assembly instructions - door alignment.
Check if there is no collision between parts and furniture while opening and closing the doors.	Refer to the assembly instructions - door alignment.
Install the appliance as a built-in appliance.	Follow the assembly instructions for proper installation.
Make sure that at first installation or after reversing the doors the appliance stands in the vertical position for at least 4 hours before it is connected to the power supply.	Wait 4 hours before connecting the appliance to the power supply.

Cleaning the appliance

Before using the appliance for the first time, clean the appliance to remove the typical smell of a brand-new product.

1. Make sure the appliance is disconnected from the power supply.
2. Wipe the interior with a soft, moistened cloth.
3. Wash the internal accessories with lukewarm water and some neutral soap, then dry thoroughly.

CAUTION!

Do not use abrasive, chloride or acidic cleaning agents or solvents.

- Do not use scouring or abrasive sponges. The metallic surfaces may corrode.
- Never clean the accessories using a dishwasher. They may become deformed.

Electrical connection

⚠ CAUTION! Any electrical work required to install this appliance should be carried out by a qualified electrician or competent person.

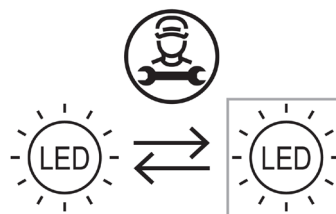
⚠ WARNING! This appliance must be earthed. Failure to follow these instructions can result in death, fire or electrical shock.

The manufacturer declines any liability should these safety measures not be observed. This appliance complies with the E.E.C. Directives.


Replacing the lighting

The appliance is equipped with an LED light for interior lighting.

Only an authorized technician is allowed to replace the lighting device. Please contact your Authorised Service Centre. For a quicker service, always refer to the full list of Authorised Service Centres located at the end of Safety & Warranty or full UM and call the corresponding phone numbers.

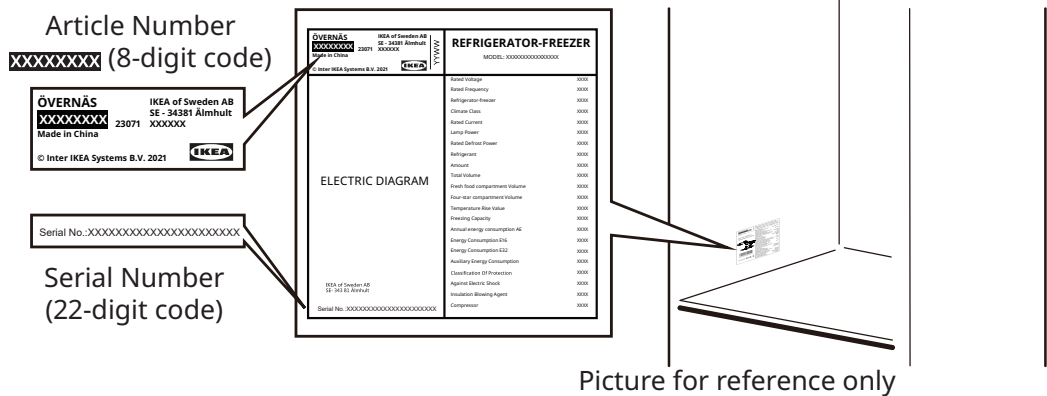


Technical information

Product category	
Product type	Refrigerator - Freezer
Installation type	Built-in
Product dimensions	
Height	1785 mm
Width	540 mm
Depth	550 mm
Net volume	
Fridge	193.0 L
Freezer	74.0 L
Defrost system	
Fridge	Automatic
Freezer	Automatic
Other specifications	
Star rating	
Temperature rising time	9 hours
Freezing capacity	6 kg/24 h
Energy consumption	184 kWh/year
Noise level	35 dB(A), Class B
Energy efficiency class	D
Rated voltage	220-240 V~
Rated frequency	50 Hz
Energy efficiency class of light source	F

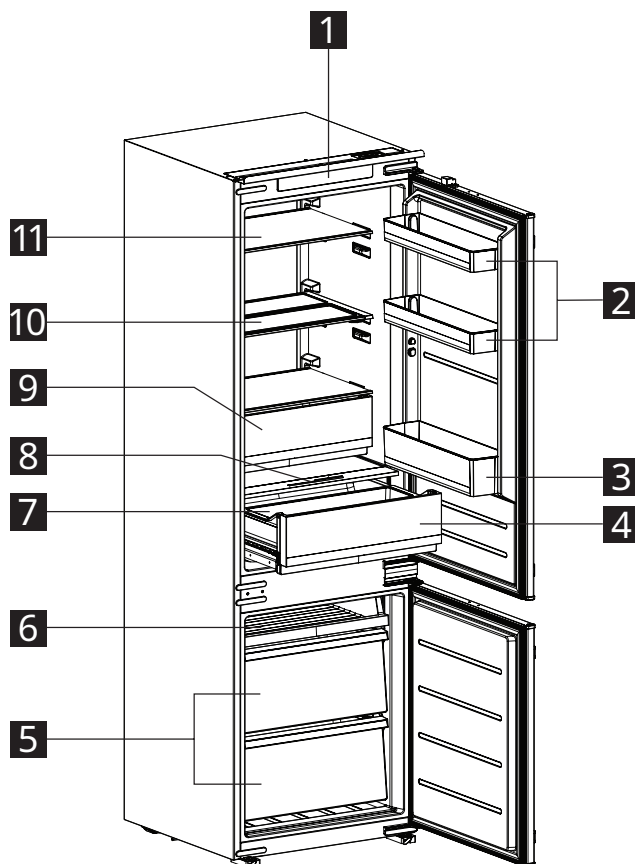
Note: Information about the product in the product database can be accessed by scanning the QR code on the EPREL label.

- ⓘ The article number and serial number are shown on the rating plate on the internal left side of the appliance.



Produktbeschreibung

Überblick über das Gerät



- | | |
|--------------------------------|--|
| 1 Bedienfeld | 7 Schiebefach |
| 2 Türablagefächer | 8 Feuchtigkeitsregler |
| 3 Flaschenfach | 9 Schublade für niedrige Temperaturen |
| 4 Gemüseschublade | 10 Ausziehbare Glasablage |
| 5 Gefrierfachschubladen | 11 Glasablage |
| 6 Gefriertablett | |

Erstinbetriebnahme

Schließen Sie das Gerät an einer Stromversorgung an. Die idealen Aufbewahrungstemperaturen (mittel) sind bereits werkseitig eingestellt.

Hinweis: Nach dem Einschalten benötigt das Gerät vier bis fünf Stunden, um die richtige Temperatur für die Aufbewahrung einer typischen Menge an Lebensmitteln zu erreichen.

Wichtig!

Dieses Gerät wird in Frankreich verkauft.

Gemäß den in diesem Land geltenden Bestimmungen muss das Gerät mit einer speziellen Vorrichtung im unteren Bereich des Kühlschranks ausgestattet sein (siehe Bild), welche den kältesten Bereich kennzeichnet.

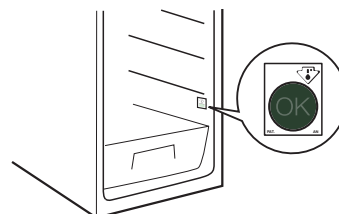
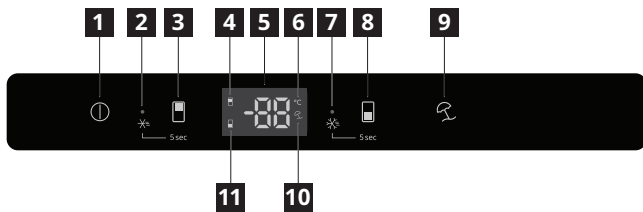


Abbildung dient nur als Referenz

Bedienung

Bedienfeld



- 1** Ein-/Aus-Schalter
- 2** LED-Anzeige des Schnellkühlbetriebs
- 3** Taste für die Kühlschranktemperatur
- 4** Kühlschrankanzeige
- 5** LCD-Bildschirm
- 6** Anzeige der Temperatureinheit
- 7** Anzeige für Schnellgefriermodus
- 8** Taste für die Gefrierfachtemperatur
- 9** Taste für den Urlaubsmodus
- 10** Anzeige für den Urlaubsmodus
- 11** Anzeige für den Gefrierschrank

Hinweis: Verwenden Sie keine scharfkantigen Gegenstände, um die Taste des Bedienfelds zu betätigen. Die Nichtbeachtung dieses Hinweises kann Kratzer oder anderweitige Schäden am Bedienfeld nach sich ziehen.

Einschalten

Wenn Sie den Netzstecker in die Steckdose stecken, schaltet sich das Gerät ein, gibt einen Signalton ab und startet den Betrieb mit den Standardeinstellungen oder den zuletzt verwendeten Einstellungen.

Ausschalten

- Möchten Sie das Gerät ausschalten, halten Sie die Ein-/Aus-Taste (ⓘ) 10 Sekunden lang gedrückt. Das Gerät schaltet das Bedienfeld aus und stellt den Betrieb ein. **Hinweis:** Wenn das Gerät ausgeschaltet ist, sind alle Tasten des Bedienfelds mit Ausnahme der Ein-/Aus-Taste (ⓘ) deaktiviert. Wenn Sie auf eine deaktivierte Taste tippen, gibt das Gerät einen Signalton aus.
- Möchten Sie das Gerät wieder einschalten, halten Sie die Ein-/Aus-Taste (ⓘ) erneut 10 Sekunden lang gedrückt. Das Gerät schaltet das Bedienfeld ein und nimmt seinen Betrieb wieder auf.
- Um das Gerät von der Stromversorgung zu trennen, ziehen Sie den Netzstecker.

Display

- Nachdem Sie das Gerät angeschlossen haben, leuchten der gesamte LCD-Bildschirm und alle Anzeigen 3 Sekunden lang auf. Dann zeigt das Display die eingestellte Temperatur für das Kühlfach in °C an.
- Um die eingestellte Temperatur für das Gefrierfach anzuzeigen, tippen Sie auf die Taste für die Gefrierfachtemperatur (❄️). Die Anzeige für den Gefrierschrank (❄️) leuchtet auf.
- Um die eingestellte Temperatur für das Kühlfach erneut anzuzeigen, tippen Sie auf die Taste für die Kühlschranktemperatur (🌡️). Die Anzeige für den Kühlschrank (🌡️) leuchtet auf.
- Wenn die Tür geschlossen ist und Sie keine Taste antippen, schalten sich der LCD-Bildschirm und alle relevanten Anzeigen nach 15 Sekunden aus. Um sie wieder einzuschalten, tippen Sie auf eine beliebige Taste oder öffnen Sie die Tür.
- Im Falle eines bekannten Fehlers zeigt das Gerät einen der folgenden Fehlercodes auf dem LCD-Bildschirm an und gibt einen Signalton ab. Um den Signalton abzustellen, tippen Sie auf eine beliebige Taste.

Fehlercode	Problembesehung
E1	Temperatursensor im Kühlschrank defekt
E2	Gefrierschrank-Temperatursensor defekt
E5	Temperatursensor für Enteisung des Gefrierschranks defekt
E7	Umgebungstemperatursensor defekt
E6	Interner Kommunikationsfehler

Hinweis: Wenn einer dieser Fehlercodes angezeigt wird, wenden Sie sich an ein autorisiertes Kundendienstzentrum.

Einstellen der Temperaturen

Empfohlene Temperaturen

Kühlfach: +5°C (Werkseinstellung)

Gefrierfach: -20°C (Werkseinstellung)

Wenn Sie das Gerät zum ersten Mal einschalten, werden die Temperaturen auf die werkseitigen Standardtemperaturen eingestellt. Wenn Sie das Gerät erneut einstecken oder einschalten, werden die zuletzt eingestellten Temperaturen verwendet, es sei denn, die Speicherfunktion ist ausgeschaltet.

- Um die Kühlschrankschranktemperatur einzustellen, tippen Sie auf die Taste für die Kühlschrankschranktemperatur (■), um die verfügbaren Temperaturen (2°C bis 8°C) zu durchlaufen, bis die gewünschte Temperatur auf dem Bildschirm erscheint.

Die Kühlschrankschrankanzeige (■) blinkt während der Einstellung und hört auf zu blinken, wenn die eingestellte Temperatur wirksam wird.



- Um die Gefrierschrankschranktemperatur einzustellen, tippen Sie auf die Taste für die Gefrierschrankschranktemperatur (■) um die verfügbaren Temperaturen (-24°C bis -16°C) zu durchlaufen, bis die gewünschte Temperatur auf dem Bildschirm erscheint.

Die Gefrierschrankschrankanzeige (■) blinkt während der Einstellung und hört auf zu blinken, wenn die eingestellte Temperatur wirksam wird.



Tipps:

- Sie können die Kühl- und Gefrierschrankschranktemperaturen nicht einstellen, wenn sich das Gerät im Urlaubsmodus befindet.
- Je niedriger die von Ihnen eingestellte Temperatur ist, desto länger können Sie Ihre Lebensmittel sicher aufbewahren und desto mehr Strom verbraucht das Gerät.
- Je höher die von Ihnen eingestellte Temperatur ist, desto schneller verderben die aufbewahrten Lebensmittel und desto weniger Strom verbraucht das Gerät.

Schnellkühlmodus

Hinweis: Die Schnellkühlfunktion dient dazu, neu ins Kühlfach gegebene Lebensmittel schnell abzukühlen. Wenn Sie eine größere Menge an warmen Lebensmitteln haben, z. B. nach dem Einkaufen, empfiehlt es sich, die Schnellkühlfunktion zu aktivieren. Auf diese Weise können Sie für eine schnelle Abkühlung der Produkte sorgen und den Temperaturanstieg verringern, wodurch sich die Haltbarkeit der anderen Lebensmittel im Kühlschrank effektiv verlängert.

- Um das Gerät in den Schnellkühlmodus zu versetzen, halten Sie die Taste für die Kühlschrankschranktemperatur (■) 5 Sekunden lang gedrückt. Die Anzeige für den Schnellkühlmodus (☒) blinkt und das Gerät zeigt 2°C auf dem Bildschirm an. Dieser Modus wird wirksam, wenn die Anzeige nicht mehr blinkt.

- Das Gerät verlässt den Schnellkühlmodus automatisch, nachdem es sich 6 Stunden lang in diesem Modus befunden hat oder wenn die Kühlschrankschranktemperatur 2°C erreicht hat. Um diesen Modus früher zu beenden, tippen Sie auf die Taste für die Kühlschrankschranktemperatur (■).

Schnellgefriermodus

Hinweis: Die Schnellgefrierfunktion wurde entwickelt, um den Nährwert der Nahrungsmittel im Gefrierfach zu bewahren. Sie kann die Nahrungsmittel in kürzester Zeit einfrieren. Wenn eine große Menge an Nahrungsmitteln gleichzeitig eingefroren werden soll oder die Nahrungsmittel schnell eingefroren werden müssen, ist es empfehlenswert, dass Sie die Schnellgefrierfunktion aktivieren und die Nahrungsmittel in das Gefrierfach legen-/stellen. Die Gefriereschwindigkeit des Gefrierfachs ist jetzt erhöht. Der Energieverbrauch erhöht sich, solange diese Funktion aktiviert ist.

- Um das Gerät in den Schnellgefriermodus zu versetzen, halten Sie die Taste für die Gefrierschrankschranktemperatur (■) 5 Sekunden lang gedrückt. Die Anzeige für den Schnellgefriermodus (☒) blinkt und das Gerät zeigt -24°C auf dem Bildschirm an. Dieser Modus wird wirksam, wenn die Anzeige nicht mehr blinkt.
- Das Gerät verlässt den Schnellgefriermodus automatisch, nachdem es sich 40 Stunden lang in diesem Modus befunden hat. Um diesen Modus früher zu beenden, tippen Sie auf die Taste für die Gefrierschrankschranktemperatur (■).

Urlaubsmodus

Bevor Sie das Gerät für längere Zeit nicht verwenden, können Sie es in den Urlaubsmodus versetzen, um Energie zu sparen. Im Urlaubsmodus kühlt das Gerät das Kühlfach nicht und hält das Gefrierfach auf einer Temperatur von -20°C.

Hinweise:

- Bewahren Sie keine Lebensmittel im Kühlfach auf, wenn sich das Gerät im Urlaubsmodus befindet. Lassen Sie die Kühlschrankschranktür gerade so weit offen, damit die Luft im Fach zirkulieren kann. Dadurch wird einer Bildung von Schimmel und unangenehmen Gerüchen vorgebeugt.
- Sowohl die Taste für die Kühlschrankschranktemperatur (■) als auch die Taste für die Gefrierschrankschranktemperatur (■) sind deaktiviert, wenn sich das Gerät im Urlaubsmodus befindet.
- Um das Gerät in den Urlaubsmodus zu versetzen, halten Sie die Taste für den Urlaubsmodus (☒) 3 Sekunden lang gedrückt. Die Anzeige für den Urlaubsmodus (☒) blinkt und das Gerät zeigt -20°C auf dem Bildschirm an. Dieser Modus wird wirksam, wenn die Anzeige nicht mehr blinkt.

- Um den Urlaubsmodus zu beenden, halten Sie die Taste für den Urlaubsmodus (⏸) 3 Sekunden lang gedrückt. Die Anzeige für den Urlaubsmodus (⏸) erlischt.

Speicherfunktion

Das Gerät hat eine Speicherfunktion, die in den meisten Fällen eingeschaltet ist. Wenn Sie das Gerät ausschalten oder den Netzstecker ziehen, oder im Falle eines Stromausfalls, nimmt es nach dem Wiedereinschalten den Betrieb mit den zuletzt verwendeten Einstellungen wieder auf.

Wenn das Gerät den Schnellkühl-, Schnellgefrier- oder Urlaubsmodus verlässt, arbeitet es ebenfalls mit den Einstellungen weiter, die vor dem Eintritt in diesen Modus verwendet wurden.

Hinweise:

- Das Gerät merkt sich die verstrichene Zeit im Schnellkühl- oder Schnellgefriermodus nicht. Wenn es beispielsweise nach dem erneuten Einschalten in den Schnellkühlmodus zurückkehrt, wird es diesen Modus immer 6 Stunden lang ausführen, bevor es ihn automatisch verlässt.
- Das Gerät schaltet seine Speicherfunktion erst dann ein, wenn es länger als 30 Minuten ununterbrochen in Betrieb war. Wenn Sie das Gerät also ausschalten, nachdem es weniger als 30 Minuten ununterbrochen in Betrieb war,

speichert es die zuletzt verwendeten Einstellungen nicht.

Öffnen und Schließen der Tür

- Die LED-Leuchte im Inneren des Kühlfachs leuchtet auf, wenn die Kühlschranktür geöffnet wird, und erlischt, wenn die Tür geschlossen wird.
- Der LCD-Bildschirm und alle relevanten Anzeigen schalten sich ein, wenn die Kühlschranktür geöffnet wird, und schalten sich 15 Sekunden nach dem Schließen der Tür aus.

Tür-offen-Alarm

- Wenn die Kühlschranktür länger als 120 Sekunden geöffnet bleibt, wird ein Alarm ausgelöst, der Sie darauf hinweist, dass die Tür nicht ordnungsgemäß geschlossen ist. Um den Alarm zu stoppen, schließen Sie die offene Tür oder tippen Sie auf eine beliebige Taste.
- Wenn Sie den Alarm durch Antippen einer Taste stoppen und die Tür offen lassen, wird der Alarm nach weiteren 120 Sekunden erneut ausgelöst. Wenn Sie die Tür länger als 15 Minuten offen lassen, schaltet das Gerät den Alarm und die LED-Leuchte aus und arbeitet wie normal weiter.
- **Hinweis:** Der Alarm für die offene Tür ist deaktiviert, wenn sich das Gerät im Urlaubsmodus befindet.

Tägliche Verwendung

Schublade für niedrige Temperaturen

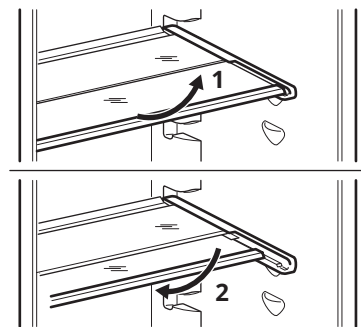
- Die Schublade für niedrige Temperaturen ist der kälteste Bereich im Kühlfach. Sie hält eine Temperatur aufrecht, die 1°C oder 2°C unter der eingestellten Temperatur liegt.
- Bewahren Sie verderbliche Lebensmittel wie Fisch, Wurst und Fleisch in diesem Fach auf, damit sie länger frisch bleiben. **Hinweis:** Lagern Sie frisches Fleisch in dieser Schublade nicht länger als zwei Tage, um beste Frische zu gewährleisten.

Ausziehbare Glasablage

Dieses Gerät ist mit einer ausziehbaren Glasablage im Kühlfach ausgestattet. Die vordere Hälfte der Ablage kann je nach Bedarf vor oder unter der hinteren Hälfte platziert werden.

So klappen Sie die Ablage ein:

1. Nehmen Sie die vordere Hälfte vorsichtig heraus.
2. Schieben Sie sie in die untere Schiene und unter die hintere Hälfte.



Gemüseschublade mit Feuchtigkeitsüberwachung

Die Gemüseschublade ist der beste Aufbewahrungsort für frisches Obst und Gemüse. Sie können die Luftfeuchtigkeit in der Gemüseschublade über den Feuchtigkeitsregler einstellen. So lässt sich frisches Obst und Gemüse doppelt so lange aufbewahren wie bei einer herkömmlichen Aufbewahrung.

Die Luftfeuchtigkeit in der Gemüseschublade kann je nach Art und Menge der aufzubewahrenden Produkte eingestellt werden:

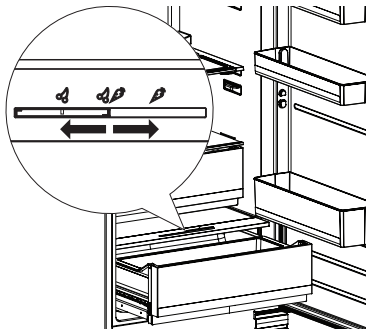
Produkte	Empfohlene Luftfeuchtigkeit
Hauptsächlich Obst oder eine große Ladung	Niedriger
Hauptsächlich Gemüse, eine gemischte oder eine kleine Ladung	Höher

Hinweise:

- Kälteempfindliches Obst (z. B. Ananas, Bananen, Papaya und Zitrusfrüchte) und kälteempfindliches Gemüse (z. B. Auberginen, Gurken, Zucchini, Paprika, Tomaten und Kartoffeln) sollten außerhalb des Kühlschranks bei Temperaturen von ca. 8 - 12°C aufbewahrt werden, um Qualität und Geschmack optimal zu erhalten.
- Je nach Art und Menge der aufbewahrten Lebensmittel kann sich in der Gemüseschublade Kondenswasser bilden. Entfernen Sie Kondenswasser mit einem trockenen Tuch und stellen Sie die Luftfeuchtigkeit in der Gemüseschublade mit dem Feuchtigkeitsregler ein.

Der Feuchtigkeitsregler befindet sich an der Vorderseite der Abdeckung der Gemüseschublade.

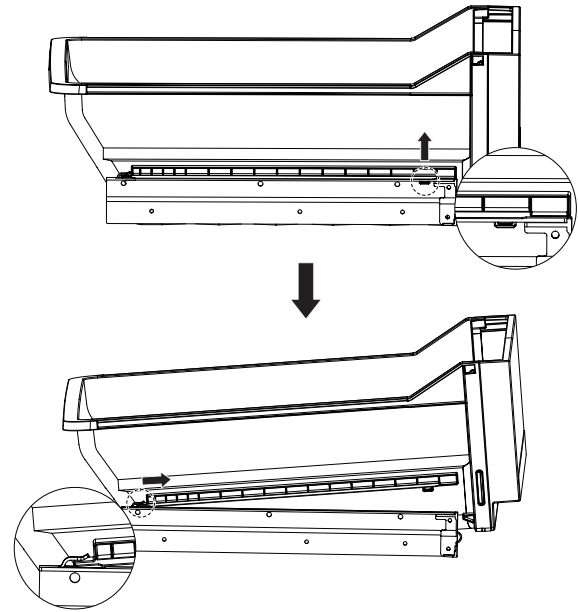
- Um die Luftfeuchtigkeit zu erhöhen, schieben Sie den Regler nach rechts.
- Um die Luftfeuchtigkeit zu verringern, schieben Sie den Regler nach links.



Die Gemüseschublade ist auf einem Schiebesockel befestigt und kann aus dem Gerät herausgenommen werden.

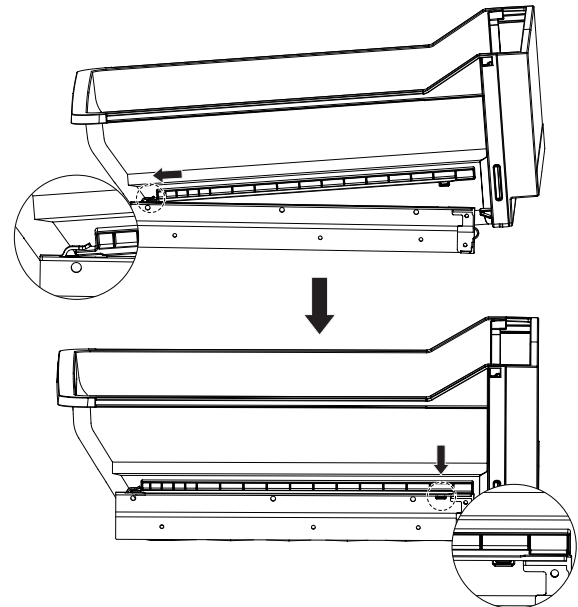
Gehen Sie wie folgt vor, um die Gemüseschublade herauszunehmen:

1. Ziehen Sie die Schublade ganz heraus.
2. Heben Sie die Vorderseite der Schublade vom Sockel ab.
3. Ziehen Sie die Schublade vom Sockel weg.



Gehen Sie wie folgt vor, um die Gemüseschublade wieder einzusetzen:

1. Ziehen Sie den Sockel ganz heraus.
2. Setzen Sie die Rückseite der Schublade auf den Sockel und schieben Sie dann die beiden hinteren Laschen in die beiden Schlitze des Sockels.
3. Setzen Sie die beiden vorderen Laschen in den Sockel ein.



Tipps

Hinweise zum Kühlen von frischen Lebensmitteln

- Decken Sie die Lebensmittel ab oder wickeln Sie sie ein, insbesondere wenn sie ein starkes Aroma haben.
 - Platzieren Sie die Lebensmittel so, dass die Luft frei zirkulieren kann.
 - Lassen Sie für eine optimale Leistung ausreichend Platz für die Luftzirkulation im Kühlfach. Lassen Sie auch genügend Platz nach vorne, damit sich die Tür fest schließen lässt.
 - Bewahren Sie keine warmen Lebensmittel oder verdampfende Flüssigkeiten im Kühlschrank auf.
 - Fleisch (alle Fleischsorten): In eine geeignete Verpackung einwickeln und auf den Glasboden über der Gemüseschublade legen. Bewahren Sie Fleisch höchstens 1 - 2 Tage auf.
 - Gekochte Lebensmittel und kalte Speisen: Abdecken und auf einen beliebigen Einlegeboden stellen.
 - Obst und Gemüse: Gründlich reinigen und in eine Gemüseschublade legen. Bananen, Kartoffeln, Zwiebeln und Knoblauch dürfen nicht im Kühlschrank aufbewahrt werden, wenn sie nicht verpackt sind.
 - Butter und Käse: In speziellen luftdichten Behältern geben, in Alufolie einwickeln oder in einen Plastikbeutel geben, um so viel Luft wie möglich auszuschließen.
- Flaschen: mit den Deckeln verschließen und auf die Türablagen stellen.

Frische Lebensmittel einfrieren

- Die Menge an frischen Lebensmitteln, die sich innerhalb von 24 Stunden einfrieren lässt, ist auf dem Typenschild vermerkt.
- Bringen Sie frische, nicht eingefrorene Lebensmittel nicht in Kontakt mit eingefrorenen Lebensmitteln, damit diese keinen Temperaturanstieg erfahren.
- Legen/Stellen Sie frische Lebensmittel in den Gefrierbereich des Gefrierfachs und lassen Sie genügend Platz zwischen den Lebensmitteln, damit die Luft frei zirkulieren kann.
- Wickeln Sie alle Lebensmittel ein, um sie vor Wasser, Feuchtigkeit und Kondensation zu schützen. So verhindern Sie die Ausbreitung von Gerüchen im Kühlschrank und verbessern gleichzeitig die Aufbewahrung von Gefriergut.
- Magere Lebensmittel sind länger haltbar als fettige. Salz verringert die Haltbarkeit von Lebensmitteln.
- Geben Sie niemals warme Lebensmittel zur Aufbewahrung in das Gefrierfach. Indem Sie heiße Lebensmittel vor dem Einfrieren abkühlen lassen, sparen Sie Energie und verlängern die Lebensdauer des Geräts.
- Frieren Sie bereits angetautes Gefriergut nicht wieder ein.

Installation

⚠️ WARNUNG! Lesen Sie sich vor der Aufstellung und Montage des Geräts sämtliche der in dieser Broschüre enthaltenen Sicherheitshinweise und Garantiebedingungen sorgfältig durch.

⚠️ WARNUNG! Befolgen Sie bei der Aufstellung und Montage Ihres Geräts die in der separaten Montageanleitung aufgeführten Anweisungen.

⚠️ WARNUNG! Befolgen Sie bei der Aufstellung und Montage des Geräts sämtliche der in der separaten Montageanleitung aufgeführten Anweisungen, um etwaigen mit der Instabilität des Geräts einhergehenden Gefahren vorzubeugen.

Standort

Stellen Sie das Gerät in einem trockenen, gut belüfteten Innenraum auf. Achten Sie darauf, das Gerät nicht in der Nähe von Wärmequellen (z. B. Öfen, Herden, Heizkörpern, Kochern und Kochfeldern) oder an einem Ort, an dem es der direkten Sonneneinstrahlung ausgesetzt ist, aufzustellen.

ⓘ Sollten Sie Zweifel bezüglich der Aufstellung und Montage haben, wenden Sie sich an den Händler, unseren Kundendienst oder an das nächstgelegene autorisierte Kundendienstzentrum.

ⓘ Es muss problemlos möglich sein, das Gerät von der Netzstromversorgung zu trennen. Sorgen Sie also dafür, dass der Netzstecker auch nach der Aufstellung weiterhin leicht zugänglich ist.

Checkliste für die Überprüfung

Führen Sie vor der erstmaligen Inbetriebnahme Ihres Geräts zunächst einmal die in der folgenden Checkliste aufgeführten Handlungen aus. Sollte sich die Frage nach der Ordnungsmäßigkeit im Anschluss an eine dieser Handlungen mit „NEIN“ beantworten lassen, wenden Sie die entsprechende Abhilfemaßnahme an. Denken Sie daran, die Seriennummer und die Artikelnummer des Produkts zu notieren, und Ihren Kaufnachweis dieser Seite beizufügen.

Seriennummer des Produkts (Serien- Nr.):

.....

Artikelnummer des Produkts (Art.-Nr.):

.....

Datum des Kaufs:

.....

Zu überprüfen	Bei Antwort NEIN
Vergewissern Sie sich, dass die Dichtungen rund um die Türen ordnungsgemäß abdichten, wenn die Türen geschlossen sind.	Schlagen Sie in der Montageanleitung unter dem Abschnitt „Ausrichten der Türen“ nach.
Stellen Sie sicher, dass die Türen beim Öffnen und Schließen nicht an Möbel oder Einrichtungsgegenstände stoßen.	Schlagen Sie in der Montageanleitung unter dem Abschnitt „Ausrichten der Türen“ nach.
Stellen Sie sicher, dass das Gerät als Einbaugerät aufgestellt wird.	Befolgen Sie die in der Anleitung aufgeführten Anweisungen bezüglich der Aufstellung und Montage, um eine ordnungsgemäße Aufstellung sicherzustellen.
Stellen Sie sicher, dass das Gerät nach der erstmaligen Aufstellung oder dem Umdrehen der Türen mindestens vier Stunden lang senkrecht stand, bevor es an die Netzstromversorgung angeschlossen wird.	Warten Sie mindestens vier Stunden, bevor Sie das Gerät an eine geeignete Netzsteckdose anschließen.

Das Gerät reinigen

Reinigen Sie das Gerät vor dem ersten Gebrauch, um den typischen Geruch eines fabrikneuen Produkts zu entfernen.

1. Vergewissern Sie sich, dass das Gerät von der Stromversorgung getrennt ist.
2. Wischen Sie das Innere mit einem weichen, angefeuchteten Tuch ab.
3. Waschen Sie die inneren Zubehörteile mit lauwarmem Wasser und etwas Neutralreiniger und trocknen Sie sie anschließend gründlich ab.

VORSICHT!

Verwenden Sie keine scheuernden, chlorid- oder säurehaltigen Reinigungs- oder Lösemittel.

- Verwenden Sie keine Scheuerschwämme oder Scheuermittel. Die Metalloberflächen können korrodieren.
- Reinigen Sie Zubehörteile nicht im Geschirrspüler. Sie können sich verformen.

Elektrischer Anschluss

⚠ VORSICHT! Alle elektrischen Arbeiten, die zur Installation dieses Geräts erforderlich sind, müssen von einem qualifizierten Elektriker oder einer Fachkraft durchgeführt werden.

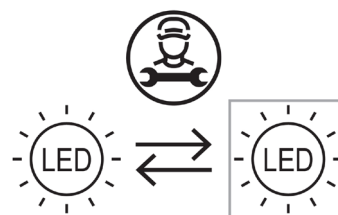
⚠ WARNUNG! Dieses Gerät muss geerdet sein. Nichtbeachtung dieser Hinweise kann zu Tod, Feuer oder Stromschlag führen.

Bei Nichtbeachtung dieser Sicherheitsmaßnahmen lehnt der Hersteller jegliche Haftung ab. Dieses Gerät erfüllt die Anforderungen der EEC-Richtlinien.

Das Leuchtmittel ersetzen

Das Gerät ist mit einer LED-Leuchte für die Innenbeleuchtung ausgestattet.

Nur eine entsprechend ausgebildete Elektrofachkraft darf das Leuchtmittel ersetzen. Wenden Sie sich an Ihren autorisierten Kundendienst. Greifen Sie für eine schnelle Inanspruchnahme von Kundendienstleistungen stets auf die vollständige Liste der autorisierten Kundendienstzentren am Ende von „Sicherheit & Garantie“ oder dieser Bedienungsanleitung zurück und rufen Sie die entsprechenden Telefonnummern an.



Technische Daten

Produktkategorie	
Produkttyp	Art der Installation
Installationstyp	Einbaugerät
Abmessungen	
Höhe	1785 mm
Breite	540 mm
Tiefe	550 mm
Nettovolumen	
Kühlschrank	193,0 L
Gefrierfach	74,0 L
Abtausystem	
Kühlschrank	Automatisch
Gefrierfach	Automatisch
Weitere Spezifikationen	
Sternebewertung	
Zeit bis zum Anstieg der Temperatur	9 Stunden
Gefrierkapazität	6 kg/24 Stunden
Energieverbrauch	184 kWh/Jahr
Geräuschpegel	35 dB (A), Klasse B
Energieeffizienzklasse	D
Nennspannung	220 - 240 V~
Nennfrequenz	50 Hz
Energieeffizienzklasse der Lichtquelle	F

Hinweis: In der Produktdatenbank vorhandene Informationen über das Produkt können durch Scannen des QR-Codes auf dem EPREL-Etikett abgerufen werden.

- Die Artikelnummer und die Seriennummer sind auf dem sich links im Innenraum des Geräts befindlichen Typenschild angegeben.

Artikelnummer (8-stelliger Code)



Serial No.:

Seriennummer (22-stelliger Code)

ÖVERNÄS REFRIGERATOR-FREEZER
 Model: XXXXXXXXXXXXXXXXXXXX
 Technical specifications table:
 - Rated Voltage: 230V
 - Rated Frequency: 50Hz
 - Refrigerant: R600a
 - Climate Class: SN
 - Rated Current: 10A
 - Lamp Power: 10W
 - Rated Defrost Power: 100W
 - Refrigerant: R600a
 - Height: 1785mm
 - Total Volume: 267L
 - Rated Total Compartment Volume: 267L
 - Refrigerant compartment volume: 74L
 - Temperature Rise Value: 9h
 - Freezing Capacity: 6kg/24h
 - Annual energy consumption (AEC): 184kWh
 - Energy Consumption (E24): 184kWh
 - Audible Energy Consumption: 184kWh
 - Classification of Protection: Class II
 - Appliance Electric Shock: Class II
 - Protection Against Aging: Class II
 - Compressor: R600a

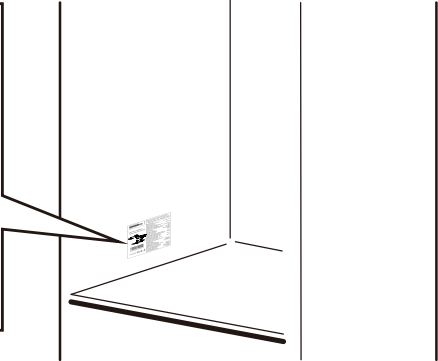
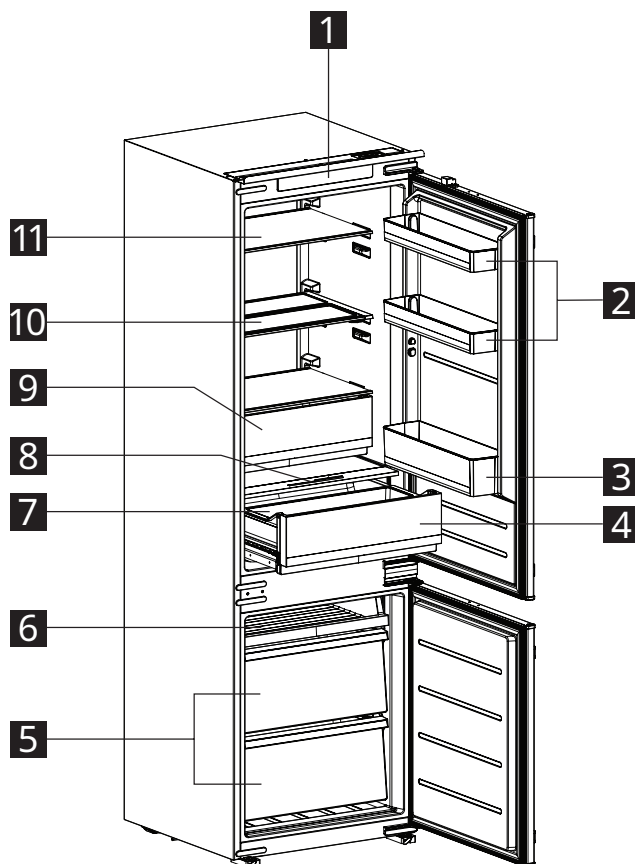


Abbildung dient nur als Referenz

Description de l'appareil

Vue d'ensemble du produit



- | | |
|------------------------------------|--|
| 1 Bandeau de commande | 7 Plateau coulissant |
| 2 Paniers de porte | 8 Curseur d'humidité |
| 3 Compartiment à bouteilles | 9 Tiroir basse température |
| 4 Tiroir à légumes | 10 Clayette en verre extensible |
| 5 Tiroirs du congélateur | 11 Clayette en verre |
| 6 Plateau de congélation | |

Première utilisation

Branchez l'appareil à l'alimentation électrique. Les températures idéales de conservation des aliments sont déjà réglées en usine (intermédiaires).

Remarque : Après avoir été mis en marche, l'appareil nécessite 4 à 5 heures pour atteindre la température adéquate pour conserver un volume typique d'aliments.

Important !

Cet appareil est vendu en France.

Conformément aux réglementations en vigueur dans ce pays, il doit être fourni avec un dispositif spécial (voir l'image) placé dans le compartiment inférieur du réfrigérateur pour indiquer où sa zone la plus froide se trouve.

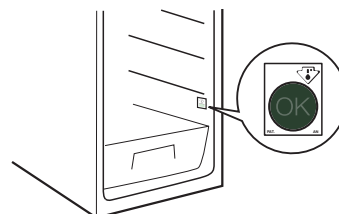
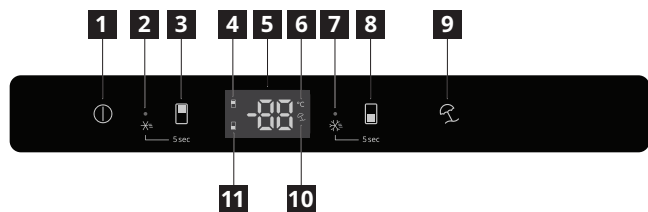


Illustration à titre de référence uniquement

Fonctionnement

Bandeau de commande



- 1** Bouton marche/arrêt
- 2** Voyant du mode super réfrigération
- 3** Bouton de la température du réfrigérateur
- 4** Voyant du réfrigérateur
- 5** Écran LCD
- 6** Indicateur d'unité de température
- 7** Voyant du mode super congélation
- 8** Bouton de la température du congélateur
- 9** Bouton du mode vacances
- 10** Voyant du mode vacances
- 11** Voyant du congélateur

Remarque : N'utilisez pas d'objets pointus pour manipuler le bandeau de commande. Ils peuvent rayer ou endommager le bandeau de commande.

Mise en marche

Lorsque vous branchez la fiche d'alimentation à une prise électrique, l'appareil est mis sous tension, émet une sonnerie et commence à fonctionner.

Arrêt

- Pour éteindre l'appareil, appuyez sur le bouton marche/arrêt (1) et maintenez-le enfoncé pendant 10 secondes. Le bandeau de commande s'éteint et le fonctionnement de l'appareil est interrompu.
Remarque : Lorsque l'appareil est éteint, tous les boutons du bandeau de commande, sauf le bouton marche/arrêt (1), sont désactivés. Si vous appuyez sur un bouton désactivé, l'appareil émet une sonnerie.
- Pour rallumer l'appareil, appuyez sur le bouton marche/arrêt (1) et maintenez-le enfoncé pendant 10 secondes. Le bandeau de commande s'allume et l'appareil reprend son fonctionnement.
- Pour déconnecter l'appareil de l'alimentation électrique, débranchez la fiche secteur de la prise de courant.

Écran

- Après avoir branché l'appareil, l'écran LCD et tous les voyants s'allument complètement pendant 3 secondes. L'écran commence ensuite à indiquer la température réglée pour le compartiment réfrigérateur en °C.

- Pour afficher la température réglée pour le compartiment congélateur, appuyez sur le bouton de la température du congélateur (8). Le voyant du congélateur (11) s'allume.
- Pour afficher la température réglée pour le compartiment réfrigérateur, appuyez sur le bouton de la température du réfrigérateur (3). Le voyant du réfrigérateur (4) s'allume.
- Si vous fermez la porte et que vous n'appuyez sur aucun bouton, l'écran LCD et tous les voyants pertinents s'éteindront au bout de 15 secondes. Pour les rallumer, appuyez sur n'importe quel bouton ou ouvrez la porte.
- En cas de panne connue, l'appareil affiche l'un des codes d'erreur suivants sur l'écran LCD et émet un signal sonore. Pour interrompre le signal sonore, appuyez sur n'importe quel bouton.

Code d'erreur	Panne
E1	Défaut du capteur de température du réfrigérateur
E2	Défaut du capteur de température du congélateur
E5	Défaut du capteur de température de dégivrage du congélateur
E7	Défaut du capteur de température ambiante
E6	Défaut de communication interne

Remarque : Si l'un de ces codes d'erreur est affiché, contactez un centre de service agréé pour obtenir de l'aide.

Réglage des températures

Températures recommandées

Compartiment réfrigérateur : +5 °C (réglage d'usine)

Compartiment congélateur : -20 °C (réglage d'usine)

La première fois que vous branchez l'appareil, les températures sont réglées aux valeurs d'usine par défaut. Si vous rebranchez ou rallumez l'appareil, les températures sont rétablies aux dernières températures réglées, à moins que la fonction mémoire ne soit désactivée.

- Pour régler la température du réfrigérateur, appuyez sur le bouton de la température du réfrigérateur (3) pour faire défiler les températures disponibles (2 à 8 °C) jusqu'à ce que la température souhaitée apparaisse à l'écran. Le voyant du réfrigérateur (4) clignote pendant le réglage et s'arrête de clignoter dès que la température réglée prend effet.



- Pour régler la température du congélateur, appuyez sur le bouton de la température du congélateur (■) pour faire défiler les températures disponibles (-24 à -16 °C) jusqu'à ce que la température souhaitée apparaisse à l'écran. Le voyant du congélateur (■) clignote pendant le réglage et s'arrête de clignoter dès que la température réglée prend effet.



Conseils :

- Il n'est pas possible de régler les températures du réfrigérateur et du congélateur si l'appareil est en mode vacances.
- Plus la température réglée est basse, plus vous pouvez conserver vos aliments en toute sécurité et plus l'appareil consomme d'électricité.
- Plus la température réglée est élevée, plus les aliments conservés se décomposent rapidement et moins l'appareil consomme d'électricité.

Mode super réfrigération

Remarque : La fonction de super réfrigération est spécialement conçue pour refroidir rapidement les aliments tout juste placés dans le compartiment réfrigérateur. Si vous avez une quantité importante d'aliments chauds, p. ex. après avoir fait des courses, il est recommandé d'activer la fonction de super réfrigération. De cette manière, vous pouvez assurer un refroidissement rapide des produits et limiter l'augmentation de la température, ce qui prolonge efficacement la conservation de toutes les autres denrées alimentaires à l'intérieur.

- Pour mettre l'appareil en mode super réfrigération, appuyez sur le bouton de la température (■) et maintenez-le enfoncé pendant 5 secondes. Le voyant du mode super réfrigération (⌘) clignote et l'écran de l'appareil affiche 2 °C. Ce mode prend effet dès que ce voyant cesse de clignoter.
- Le mode super réfrigération est automatiquement désactivé au bout de 6 heures ou dès que la température du réfrigérateur atteint 2 °C. Pour sortir de ce mode plus tôt, appuyez sur le bouton de la température du réfrigérateur (■).

Mode super congélation

Remarque : La fonction de super congélation est conçue pour préserver la valeur nutritionnelle des aliments dans le compartiment congélateur. Elle permet de congeler les aliments en un minimum de temps. Si une grande quantité d'aliments est congelée en une seule fois ou si les aliments doivent être congelés rapidement, il est recommandé d'activer la fonction de super-congélation et de placer les aliments dans le congélateur. À ce moment-là, la

vitesse de congélation du compartiment congélateur sera accrue. La consommation d'énergie augmente lorsque la fonction est activée.

- Pour mettre l'appareil en mode super congélation, appuyez sur le bouton de la température du congélateur (■) et maintenez-le enfoncé pendant 5 secondes. Le voyant du mode super congélation (⌘) clignote et l'écran de l'appareil affiche -24 °C. Ce mode prend effet dès que ce voyant cesse de clignoter.
- Le mode super congélation est désactivé au bout de 40 heures. Pour sortir de ce mode plus tôt, appuyez sur le bouton de la température du congélateur (■).

Mode vacances

Avant de laisser l'appareil inutilisé pendant une longue période, il est possible de le mettre en mode vacances afin d'économiser de l'énergie. En mode vacances, le compartiment réfrigérateur n'est pas refroidi et le compartiment congélateur est maintenu à une température de -20 °C.

Remarques :

- Ne conservez pas d'aliments dans le compartiment réfrigérateur si l'appareil est en mode vacances. Laissez la porte du réfrigérateur ouverte juste assez pour permettre à l'air de circuler à l'intérieur du compartiment. Cela permet d'éviter la formation de moisissures et d'odeurs désagréables.
- Les boutons de la température du réfrigérateur (■) et de la température du congélateur (■) sont désactivés lorsque l'appareil est en mode vacances.
- Pour mettre l'appareil en mode vacances, appuyez sur le bouton du mode vacances (⌘) et maintenez-le enfoncé pendant 3 secondes. Le voyant du mode vacances (⌘) clignote et l'écran de l'appareil affiche -20 °C. Ce mode prend effet dès que ce voyant cesse de clignoter.
- Pour sortir du mode vacances, appuyez sur le bouton du mode vacances (⌘) et maintenez-le enfoncé pendant 3 secondes. Le voyant du mode vacances (⌘) s'éteint.

Fonction de mémorisation

L'appareil est doté d'une fonction de mémorisation qui est activée dans la plupart des cas. Si vous éteignez ou débranchez l'appareil, ou en cas de panne d'électricité, dès que vous le rallumez, l'appareil reprend son fonctionnement en utilisant les derniers réglages utilisés.

De même, lorsque l'appareil sort du mode super réfrigération, super congélation ou vacances, il reprend les réglages utilisés avant l'activation de ce mode.

Remarques :

- L'appareil ne mémorise pas le temps écoulé en mode super réfrigération ou super congélation. Par conséquent, s'il repasse en mode super réfrigération après l'avoir rallumé, il fonctionnera toujours dans ce mode pendant 6 heures avant d'en sortir automatiquement.
- La fonction de mémorisation de l'appareil n'est activée qu'après une période de fonctionnement continu de plus de 30 minutes. Par conséquent, si vous l'éteignez alors qu'il a fonctionné en continu pendant moins de 30 minutes, les derniers réglages utilisés ne seront pas mémorisés.

Ouverture et fermeture de la porte

- La lampe LED à l'intérieur du compartiment réfrigérateur s'allume lorsque la porte du réfrigérateur est ouverte et elle s'éteint lorsque la porte est fermée.

- L'écran LCD et tous les voyants pertinents s'allument lorsque la porte du réfrigérateur est ouverte et ils s'éteignent au bout de 15 secondes dès que la porte est fermée.

Alarme d'ouverture de porte

- Si la porte du réfrigérateur reste ouverte pendant plus de 120 secondes, l'alarme d'ouverture de porte se déclenche. Pour arrêter l'alarme, fermez la porte ouverte ou appuyez sur un quelconque bouton.
- Si vous interrompez l'alarme en appuyant sur un bouton et que vous laissez la porte ouverte, l'alarme se déclenchera à nouveau au bout de 120 secondes. Si vous laissez la porte ouverte pendant plus de 15 minutes, l'alarme est désactivée et la lampe LED s'éteint et l'appareil continue à fonctionner normalement.
- **Remarque :** L'alarme d'ouverture de porte est désactivée si l'appareil est en mode vacances.

Utilisation quotidienne**Tiroir basse température**

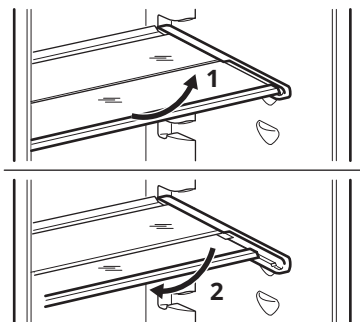
- Le tiroir basse température est la zone la plus froide du compartiment réfrigérateur. La température maintenue dans ce tiroir est inférieure de 1 ou 2 °C à la température réglée.
- Conservez dans ce tiroir les denrées périssables, p. ex. les poissons, les saucisses et les viandes, afin qu'elles restent fraîches plus longtemps.
Remarque : Conservez la viande fraîche dans ce tiroir pendant deux jours au maximum pour garantir une fraîcheur optimale.

Clayette en verre extensible

Cet appareil est équipé d'une clayette en verre extensible dans le compartiment réfrigérateur. La moitié avant de la clayette peut être placée devant ou sous la moitié arrière selon vos besoins.

Pour rabattre la clayette :

1. Retirez doucement la moitié avant.
2. Faites-la glisser dans le rail inférieur et sous la moitié arrière.

**Tiroir à légumes à humidité contrôlée**

Le tiroir à légumes est le meilleur endroit pour ranger les fruits et légumes frais. Il est possible de régler l'humidité de l'air dans le tiroir à légumes à l'aide du curseur d'humidité. Les fruits et légumes frais peuvent ainsi être conservés deux fois plus longtemps par rapport à un système de conservation conventionnel.

L'humidité de l'air dans le tiroir à légumes peut être réglée en fonction du type et de la quantité de produits à conserver :

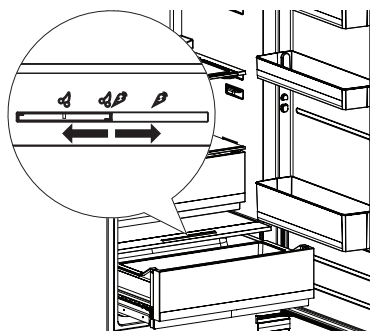
Produits	Humidité de l'air conseillée
Principalement des fruits ou des produits en grande quantité	Inférieure
Principalement des légumes, des produits en quantité mixte ou petite quantité	Supérieure

Remarques :

- Les fruits qui craignent le froid (ananas, bananes, papayes et agrumes) et les légumes qui craignent le froid (aubergines, concombres, courgettes, poivrons, tomates et pommes de terre) doivent être conservés hors réfrigérateur à des températures d'environ 8 à 12 °C pour une préservation optimale de la qualité et de la saveur.
- De la condensation peut se former dans le tiroir à légumes en fonction des aliments et de la quantité de produits conservée. Essuyez la condensation à l'aide d'un chiffon sec et réglez l'humidité de l'air dans le tiroir à légumes à l'aide du curseur d'humidité.

Le curseur d'humidité se trouve à l'avant du couvercle du tiroir à légumes.

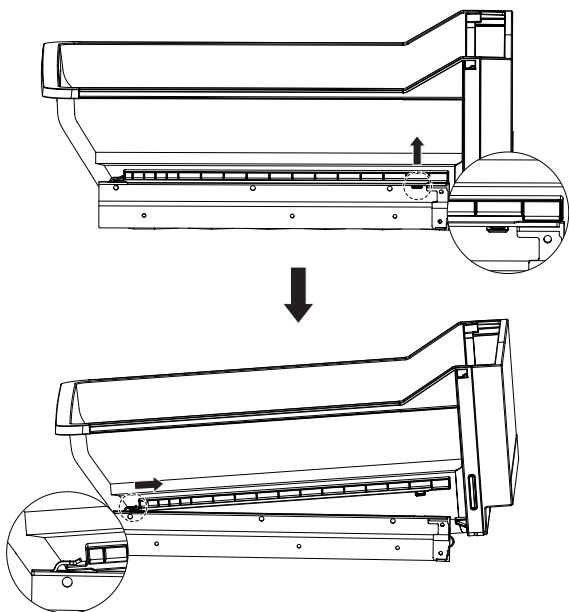
- Pour augmenter l'humidité de l'air, déplacez le curseur vers la droite.
- Pour diminuer l'humidité de l'air, déplacez le curseur vers la gauche.



Le tiroir à légumes est fixé à une base coulissante et peut être retiré de l'appareil.

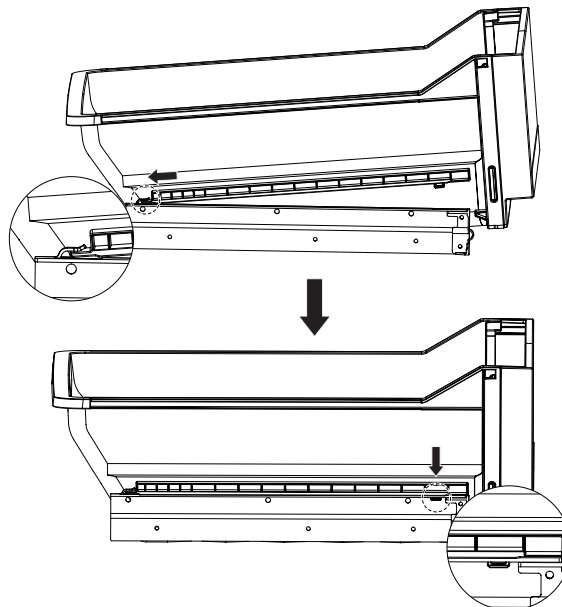
Pour retirer le tiroir à légumes, procédez comme suit :

1. Sortez complètement le tiroir.
2. Soulevez l'avant du tiroir pour le dégager de la base.
3. Extrayez le tiroir de la base.



Pour remettre le tiroir à légumes en place, procédez comme suit :

1. Sortez complètement la base.
2. Placez l'arrière du tiroir sur la base, puis faites glisser les deux languettes arrière dans les deux fentes de la base.
3. Insérez les deux languettes avant dans la base.



Conseils

Conseils pour la réfrigération d'aliments frais

- Couvrez ou enveloppez les aliments, particulièrement s'ils ont une odeur forte.
- Placez la nourriture de manière à ce que l'air puisse circuler librement autour d'elle.
- Pour des performances optimales, laissez suffisamment d'espace dans le compartiment réfrigérateur afin que l'air puisse circuler autour des emballages. Laissez également suffisamment d'espace à l'avant afin que la porte puisse se fermer correctement.
- N'introduisez pas de nourriture chaude ou de liquides en évaporation dans le réfrigérateur.
- Viande (tous types) : enveloppez-la dans un emballage approprié et placez-la sur la clayette en verre au-dessus du tiroir à légumes. Conservez la viande pendant 1 à 2 jours au maximum.
- Aliments cuits et plats froids : couvrez-les et placez-les sur n'importe quelle clayette.

- Fruits et légumes : nettoyez-les bien et placez-les dans le tiroir à légumes. Les bananes, les pommes de terre, les oignons et l'ail ne doivent pas être conservés au réfrigérateur s'ils ne sont pas emballés.
- Beurre et fromage : placez-les dans un récipient hermétique spécial ou enveloppez-les dans une feuille d'aluminium ou un sachet en polyéthylène pour exclure autant d'air que possible.
- Bouteilles : bouchez-les et placez-les sur les balconnets.

Congélation d'aliments frais

- La quantité d'aliments frais pouvant être congelés en 24 heures est indiquée sur la plaque signalétique.
- Ne laissez pas d'aliments frais et non congelés toucher des aliments déjà congelés, afin d'éviter d'augmenter la température de ces derniers.

- Placez les aliments frais dans la zone de congélation du compartiment congélateur en laissant suffisamment d'espace entre les articles pour permettre à l'air de circuler librement.
- Enveloppez les aliments pour les protéger de l'eau, de l'humidité et de la condensation ; vous éviterez ainsi la propagation d'odeurs dans le réfrigérateur, tout en assurant une meilleure conservation des aliments congelés.
- Les aliments maigres se conservent mieux et plus longtemps que les aliments gras ; le sel réduit la durée de conservation des aliments.
- Ne placez jamais d'aliments chauds dans le congélateur. Refroidir les aliments chauds avant de les congeler permet d'économiser de l'énergie et de prolonger la durée de vie de l'appareil.
- Ne recongelez pas des aliments partiellement décongelés.

Installation

⚠ AVERTISSEMENT ! Avant d'installer l'appareil, lisez attentivement les informations relatives à la sécurité figurant dans le livret de sécurité et de garantie.

⚠ AVERTISSEMENT ! Reportez-vous aux instructions d'assemblage séparées pour installer votre appareil.

⚠ AVERTISSEMENT ! Fixez l'appareil conformément aux instructions d'assemblage séparées afin d'éviter tout risque d'instabilité de l'appareil.

Emplacement

Cet appareil doit être installé dans un endroit intérieur sec et bien ventilé. N'installez pas l'appareil à proximité de sources de chaleur (par exemple, fours, cuisinières, radiateurs, gazinières et plaques de cuisson) ou dans un endroit exposé à la lumière directe du soleil.

- ⓘ Si vous avez des doutes concernant l'installation, veuillez vous adresser au vendeur, à notre service clientèle ou au centre de service agréé le plus proche.
- ⓘ L'appareil doit pouvoir être débranché du réseau électrique. La fiche doit donc être facilement accessible après l'installation.

Liste de contrôle

Veuillez suivre la liste de contrôle avant d'utiliser votre appareil. Si l'une des réponses est « NON », suivez l'action correspondante. N'oubliez pas de noter le numéro de série du produit et le numéro d'article, le cas échéant, et de joindre votre reçu à cette page.

Numéro de série du produit (N° de série) :

.....

Numéro de référence du produit (N° de réf.) :

.....

Date d'achat :

.....

À vérifier	Si la réponse est NON
Veillez à ce que le joint soit étanche sur tout le pourtour de la porte lorsque celle-ci est fermée.	Consultez les instructions de montage - alignement de la porte.
Vérifiez qu'il n'y a pas de collision entre les pièces et les meubles lors de l'ouverture et de la fermeture des portes.	Consultez les instructions de montage - alignement de la porte.
Installez l'appareil comme un appareil encastrable.	Suivez les instructions d'assemblage pour une installation correcte.
Lors de la première installation ou après avoir inversé les portes, veillez à ce que l'appareil reste en position verticale pendant au moins 4 heures avant d'être raccordé à l'alimentation électrique.	Attendez 4 heures avant de brancher l'appareil sur la source d'alimentation.

Nettoyage de l'appareil

Avant d'utiliser l'appareil pour la première fois, nettoyez-le pour éliminer l'odeur typique d'un produit neuf.

1. Assurez-vous que l'appareil est débranché de l'alimentation électrique.
2. Essuyez l'intérieur avec un chiffon doux et humide.
3. Lavez les accessoires internes à l'eau tiède et au savon neutre, puis séchez-les soigneusement.

ATTENTION !

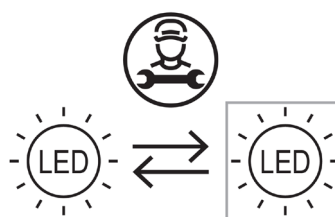
N'utilisez pas de produits de nettoyage ou de solvants abrasifs, chlorés ou acides.

- N'utilisez pas d'éponges à récurer ou abrasives. Les surfaces métalliques peuvent se corroder.
- Ne nettoyez jamais les accessoires au lave-vaisselle. Ils peuvent se déformer.

Connexion électrique

⚠ ATTENTION ! Tout travail électrique nécessaire à l'installation de cet appareil doit être effectué par un électricien qualifié ou une personne compétente.

⚠ AVERTISSEMENT ! Cet appareil doit être mis à la terre. Le non-respect de ces instructions



peut entraîner la mort, un incendie ou une électrocution.

Le fabricant décline toute responsabilité en cas de non-respect de ces mesures de sécurité. Cet appareil est conforme aux directives européennes.

Remplacement de l'éclairage

L'appareil est équipé d'une lampe LED pour l'éclairage intérieur.

Seul un technicien agréé est autorisé à remplacer le dispositif d'éclairage. Veuillez contacter votre centre de service agréé. Pour un service plus rapide, consultez toujours la liste complète des centres de service agréés figurant à la fin de la section Sécurité et garantie ou du manuel d'utilisation complet et appelez les numéros de téléphone correspondants.

Données techniques

Catégorie de produit	
Type de produit	Réfrigérateur - Congélateur
Type d'installation	Encastré
Dimensions du produit	
Hauteur	1 785 mm
Largeur	540 mm
Profondeur	550 mm
Volume net	
Réfrigérateur	193,0 litres
Congélateur	74,0 litres
Système de dégivrage	
Réfrigérateur	Automatique
Congélateur	Automatique
Autres spécifications	
Classement par étoiles	
Durée de montée en température	9 heures
Capacité de congélation	6 kg/24 h
Consommation énergétique	184 kWh/an

Niveau sonore	35 dB(A), Classe B
Classe d'efficacité énergétique	D
Tension nominale	220 à 240 V~
Fréquence nominale	50 Hz
Classe d'efficacité énergétique de la source de lumière	F

Remarque : Les informations sur le produit dans la base de données des produits sont accessibles en scannant le code QR sur l'étiquette EPREL.

- ① Le numéro de référence et le numéro de série sont indiqués sur la plaque signalétique située sur le côté intérieur gauche de l'appareil.

Numéro d'article XXXXXXXX
(code à 8 chiffres)



Serial No.:XXXXXXXXXXXXXXXXXXXX

Numéro de série
(code à 22 chiffres)

ELECTRIC DIAGRAM	ÖVERNÄS IKEA of Sweden AB XXXXXXXX SE-34381 Älmhult Made in China XXXXXXXX © Inter IKEA Systems B.V., 2021	REFRIGERATOR-FREEZER MODEL: XXXXXXXXXXXXXXXXXXXX
	Power Voltage 0000 Rated Frequency 0000 Refrigerant Purity 0000 Climate Class 0000 Rated Current 0000 Lamp Power 0000 Rated Defrost Power 0000 Refrigerant 0000 Material 0000 Total Volume 0000 Fresh Food Compartment Volume 0000 Top-Freezer Compartment Volume 0000 Temperature Rise Value 0000 Freezing Capacity 0000 Annual Energy Consumption A5 0000 Energy Consumption E22 0000 Auxiliary Energy Consumption 0000 Class/Energy Of Refrigerant 0000 Appliance Safety Check 0000 Insulation Shipping Agent 0000 Compressor 0000	

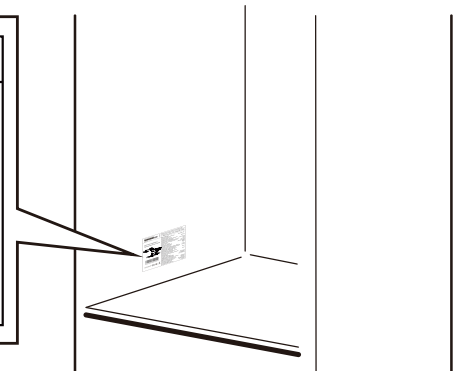
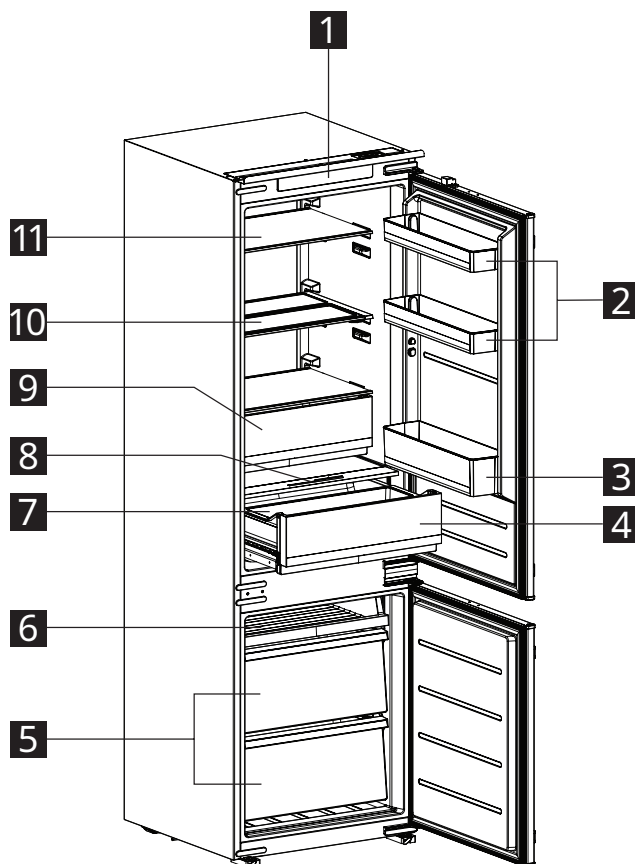


Illustration à titre de référence uniquement

Descrizione del prodotto

Panoramica del prodotto



- | | |
|-----------------------------------|--|
| 1 Pannello di controllo | 7 Vassoio scorrevole |
| 2 Ripiani dello sportello | 8 Selettore umidità |
| 3 Ripiano per bottiglie | 9 Cassetto a bassa temperatura |
| 4 Cassetto per verdure | 10 Ripiano in vetro estendibile |
| 5 Cassetti del congelatore | 11 Ripiani in vetro |
| 6 Ripiano congelatore | |

Primo utilizzo

Collegare l'apparecchio all'alimentazione. Le temperature ideali per la conservazione degli alimenti sono già impostate in fabbrica (valore intermedio).

Importante!

Questo apparecchio è venduto in Francia.

In conformità alle normative valide in questo paese, deve essere fornito con un'apparecchiatura speciale (si veda figura) posta nel vano più basso del frigorifero per indicare la zona più fredda.

Nota: dopo l'accensione, l'apparecchio ha bisogno di 4-5 ore per raggiungere la temperatura corretta per conservare delle quantità tipiche di alimenti.

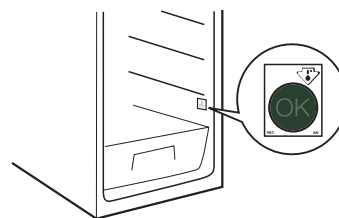
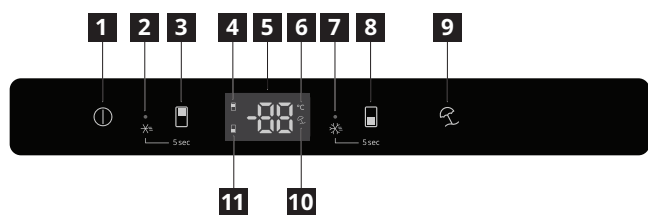


Figura a solo scopo di riferimento

Funzionamento

Pannello di controllo



- 1** Pulsante di accensione/spengimento
- 2** Indicatore modalità di super raffreddamento
- 3** Pulsante di regolazione della temperatura del frigorifero
- 4** Indicatore frigorifero
- 5** Schermo LCD
- 6** Indicatore unità di misura della temperatura
- 7** Indicatore modalità super congelamento
- 8** Pulsante di regolazione della temperatura del congelatore
- 9** Pulsante modalità vacanze
- 10** Indicatore modalità vacanze
- 11** Indicatore congelatore

Nota: non utilizzare oggetti appuntiti per azionare il pannello di controllo. Quest'ultimi potrebbero graffiare o danneggiare il pannello di controllo.

Accensione

Una volta collegata la spina di alimentazione a una presa elettrica, l'apparecchio si accende, emette un suono e inizia a funzionare impostando le impostazioni predefinite o le ultime utilizzate.

Spegnimento

- Per spegnere l'apparecchio, tenere premuto il pulsante di accensione/spengimento (ⓘ) per 10 secondi. L'apparecchio spegne il pannello di controllo e smette di funzionare. **Nota:** Quando l'apparecchio è spento, tutti i pulsanti del pannello di controllo eccetto quello di accensione/spengimento (ⓘ) sono disabilitati. Se si tocca un pulsante disabilitato, l'apparecchio emette un segnale acustico.
- Per riaccendere l'apparecchio, tenere premuto il pulsante di accensione/spengimento (ⓘ) per 10 secondi. Il pannello di controllo dell'apparecchio si accende e riprende a funzionare.
- Per scollegare l'apparecchio dall'alimentazione di rete, rimuovere la spina dalla presa.

Display

- Dopo aver collegato l'apparecchio, l'intero schermo LCD e tutti gli indicatori si accendono per 3 secondi. Successivamente, lo schermo inizia a

visualizzare la temperatura impostata per il vano frigorifero, espressa in °C.

- Per visualizzare la temperatura impostata del vano congelatore, toccare il pulsante di regolazione della temperatura del congelatore (■). L'indicatore del congelatore (■) si accende.
- Per visualizzare nuovamente la temperatura impostata del vano frigorifero, toccare il pulsante di regolazione della temperatura del frigorifero (■). L'indicatore del frigorifero (■) si accende.
- Se lo sportello è chiuso e non viene toccato alcun pulsante, lo schermo LCD e tutti i rispettivi indicatori si spengono dopo 15 secondi. Per riaccenderli, toccare un pulsante qualsiasi o aprire lo sportello.
- In caso di guasto la cui causa sia nota, l'apparecchio visualizza uno dei seguenti codici errore sullo schermo LCD ed emette un segnale acustico. Per interrompere il segnale acustico, toccare un pulsante qualsiasi.

Codice errore	Guasto
E1	Guasto del sensore della temperatura del frigorifero
E2	Guasto al sensore di temperatura del vano congelatore
E5	Guasto al sensore di temperatura per lo sbrinamento del congelatore
E7	Guasto al sensore di temperatura ambiente
E6	Interruzione comunicazione interna

Nota: Se viene visualizzato uno di questi codici errore, contattare un centro di assistenza autorizzato per richiedere consulenza.

Impostazione delle temperature

Temperature consigliate

Vano frigorifero: +5 °C (impostazione di fabbrica)

Vano congelatore: -20 °C (impostazione di fabbrica)

Quando si collega l'apparecchio per la prima volta, le temperature vengono impostate ai valori di fabbrica. Quando si collega o si riaccende l'apparecchio, le temperature vengono riportate alle ultime impostate, a meno che la funzione di memoria non sia disattivata.

- Per regolare la temperatura del frigorifero, toccare il pulsante di regolazione della temperatura del frigorifero (■) per scorrere tra le temperature disponibili (da 2 a 8 °C) finché sullo schermo non viene visualizzata la temperatura desiderata. L'indicatore del frigorifero (■) lampeggia durante

la regolazione e smette di lampeggiare quando la temperatura impostata diventa effettiva.



- Per regolare la temperatura del congelatore, toccare il pulsante di regolazione della temperatura del congelatore (■) per scorrere tra le temperature disponibili (da -24 a -16 °C) finché sullo schermo non viene visualizzata la temperatura desiderata. L'indicatore del congelatore (■) lampeggia durante la regolazione e smette di lampeggiare quando la temperatura impostata diventa effettiva.



Consigli:

- Non è possibile regolare le temperature del frigorifero e del congelatore quando l'apparecchio è in modalità vacanze.
- Più bassa è la temperatura impostata, più a lungo si possono conservare in sicurezza gli alimenti e maggiore sarà il consumo di elettricità dell'apparecchio.
- Più alta è la temperatura impostata, più velocemente si decompongono gli alimenti conservati e meno elettricità verrà consumata dall'apparecchio.

Modalità di super raffreddamento

Nota: la funzione di super raffreddamento è progettata specificamente per raffreddare rapidamente gli alimenti appena inseriti nel vano frigorifero. Se occorre riporre nel frigorifero una grande quantità di alimenti caldi, ad esempio subito dopo avere fatto la spesa, si consiglia di attivare la funzione di super raffreddamento. In questo modo, è possibile garantire un rapido raffreddamento dei prodotti e ridurre l'aumento della temperatura, prolungando in modo efficace la conservazione di tutti gli altri alimenti presenti all'interno.

- Per portare l'apparecchio in modalità di super raffreddamento, tenere premuto il pulsante di regolazione della temperatura del frigorifero (■) per 5 secondi. L'indicatore della modalità di super raffreddamento (⌘) lampeggia e sul display dello schermo viene visualizzato 2 °C. La modalità diventa effettiva quando questo indicatore smette di lampeggiare.
- L'apparecchio esce automaticamente dalla modalità di super raffreddamento dopo 6 ore in questa modalità oppure quando la temperatura del frigorifero raggiunge i 2 °C. Per uscire prima da questa modalità, toccare il pulsante di regolazione della temperatura del frigorifero (■).

Modalità di super congelamento

Nota: La funzione di super congelamento è pensata per mantenere il valore nutrizionale degli alimenti nel vano congelatore. Consente di congelare gli alimenti in brevissimo tempo. Se occorre congelare una grande quantità di alimenti in una volta sola, si raccomanda di attivare la funzione di super congelamento e riporre gli alimenti nel congelatore. In questo modo, la velocità di congelamento del vano congelatore aumenterà. Attivando questa funzione, aumenta il consumo di energia.

- Per portare l'apparecchio in modalità di super congelamento, tenere premuto il pulsante di regolazione della temperatura del congelatore (■) per 5 secondi. L'indicatore della modalità di super congelamento (⌘) lampeggia e sul display dello schermo viene visualizzato -24 °C. La modalità diventa effettiva quando questo indicatore smette di lampeggiare.
- L'apparecchio esce automaticamente dalla modalità di super congelamento dopo 40 ore di permanenza in tale modalità. Per uscire prima dalla modalità, toccare il pulsante di regolazione della temperatura del congelatore (■).

Modalità vacanze

Prima di lasciare l'apparecchio inutilizzato per lungo tempo, è possibile metterlo in modalità vacanze a scopo di risparmio energetico. In modalità vacanze, l'apparecchio non raffredda il vano frigorifero e mantiene il vano congelatore a una temperatura di -20 °C.

Note:

- Non conservare alimenti nel vano frigorifero quando l'apparecchio è in modalità vacanze. Lasciare lo sportello del frigorifero aperto quanto basta per far circolare l'aria all'interno dello scomparto. In questo modo si evita la formazione di muffa e di odori sgradevoli.
- Quando l'apparecchio si trova in modalità vacanze il pulsante di regolazione della temperatura del frigorifero (■) e quello del congelatore (■) vengono entrambi disabilitati.
- Per portare l'apparecchio in modalità vacanze, tenere premuto il pulsante della modalità vacanze (⌘) per 3 secondi. L'indicatore della modalità vacanze (⌘) lampeggia e sul display dello schermo viene visualizzato -20 °C. La modalità diventa effettiva quando questo indicatore smette di lampeggiare.
- Per uscire dalla modalità vacanze, tenere premuto il rispettivo pulsante (⌘) per 3 secondi. L'indicatore della modalità vacanze (⌘) si spegne.

Funzione di memoria

L'apparecchio è dotato di una funzione di memoria che è attiva nella maggior parte dei casi. In caso di spegnimento o scollegamento dell'apparecchio o in caso di interruzione della corrente, dopo la riaccensione l'apparecchio riprenderà il suo funzionamento utilizzando le ultime impostazioni usate.

Analogamente, dopo l'uscita dalle modalità super raffreddamento, super congelamento o vacanze, l'apparecchio continuerà a funzionare con le impostazioni utilizzate prima di passare a tale modalità.

Note:

- L'apparecchio non è in grado di ricordare il tempo trascorso in modalità super raffreddamento o super congelamento. Pertanto, a titolo esemplificativo, se dopo la riaccensione il sistema torna in modalità di super raffreddamento, lo farà sempre per 6 ore prima che esca automaticamente dalla modalità.
- L'apparecchio attiva la funzione di memoria solo dopo un funzionamento ininterrotto per più di 30 minuti. Pertanto, se si spegne l'apparecchio dopo un funzionamento ininterrotto per meno di 30 minuti, non ricorderà le ultime impostazioni utilizzate.

Apertura e chiusura dello sportello

- La luce LED all'interno del vano frigorifero si accende quando lo sportello del frigorifero viene aperto e si spegne quando lo sportello viene chiuso.
- Lo schermo LCD e tutti i relativi indicatori si accendono all'apertura dello sportello del frigorifero e si spengono 15 secondi dopo la chiusura dello sportello.

Segnalazione sportello aperto

- Se lo sportello del frigorifero rimane aperto per più di 120 secondi, si attiva la segnalazione acustica di apertura dello sportello. Per disattivare la segnalazione, chiudere lo sportello aperto o toccare un pulsante qualsiasi.
- Se si interrompe la segnalazione toccando un pulsante e si tiene lo sportello aperto, la segnalazione si attiva nuovamente dopo altri 120 secondi. Se si tiene lo sportello aperto per oltre 15 minuti, l'apparecchio disattiva la segnalazione e la spia LED e continua a funzionare come di consueto.
- **Nota:** la segnalazione sportello aperto viene disabilitata quando l'apparecchio si trova in modalità vacanze.

Uso quotidiano

Cassetto a bassa temperatura

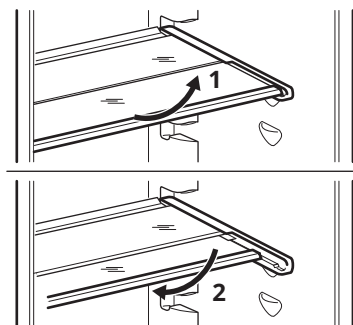
- Il cassetto a bassa temperatura è la zona più fredda del vano frigorifero. Il cassetto mantiene una temperatura inferiore di 1 o 2 °C rispetto alla temperatura impostata.
- Conservate in questo cassetto alimenti deperibili come pesce, salsicce e carne, in modo che si mantengano freschi più a lungo. **Nota:** Conservare la carne fresca in questo cassetto per non più di due giorni per garantirne la massima freschezza.

Ripiano in vetro estendibile

Questo apparecchio è dotato di un ripiano in vetro estendibile nel vano frigorifero. La metà anteriore del ripiano può essere posizionata davanti o sotto la metà posteriore, a seconda delle esigenze.

Per chiudere il ripiano:

1. Estrarre delicatamente la metà anteriore.
2. Farla scorrere nella guida inferiore e sotto la metà posteriore.



Cassetto per verdure con controllo dell'umidità

Il cassetto per verdure è il posto migliore per conservare frutta e verdura fresca. L'umidità dell'aria nel cassetto per verdure può essere regolata tramite il selettore di umidità. Quest'ultimo permette di conservare la frutta e la verdura fresca il doppio del tempo rispetto alla conservazione tradizionale.

L'umidità dell'aria nel cassetto per verdure può essere impostata in base al tipo e alla quantità di prodotti da conservare:

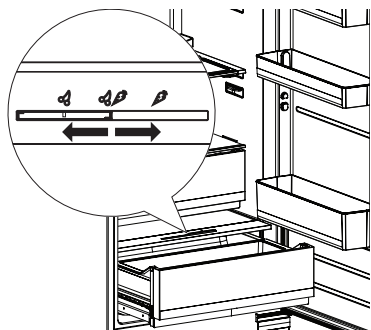
Prodotti	Umidità dell'aria consigliata
Principalmente frutta o grandi carichi	Minima
Principalmente verdura, carichi misti o piccoli	Massima

Note:

- La frutta sensibile al freddo (ad es. l'ananas, la banana, la papaia e gli agrumi) e la verdura sensibile al freddo (ad es. le melanzane, i cetrioli, le zucchine, i peperoni, i pomodori e le patate) devono essere conservate fuori dal frigorifero a temperature di circa 8-12 °C per preservare in modo ottimale la qualità e il sapore.
- Nel cassetto per verdure può formarsi della condensa a seconda degli alimenti e della quantità conservata. Rimuovere la condensa con un panno asciutto e regolare l'umidità dell'aria nel cassetto per verdure con il selettore di umidità.

Il selettore di umidità si trova sulla parte anteriore del coperchio del cassetto per verdure.

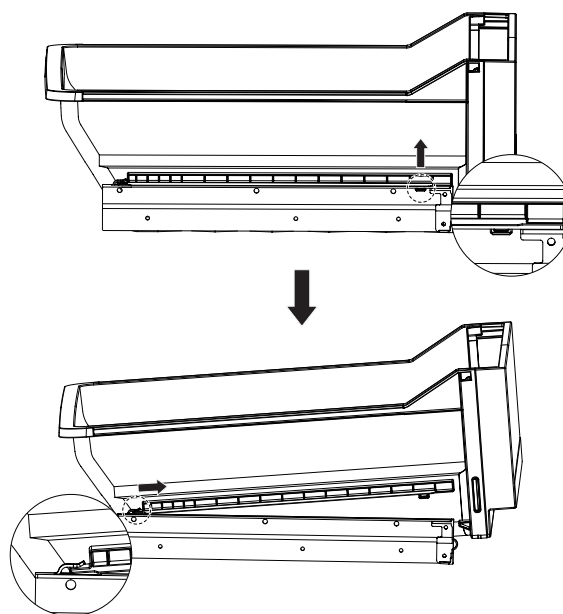
- Per aumentare l'umidità dell'aria, spostare il cursore verso destra.
- Per diminuire l'umidità dell'aria, spostare il cursore verso sinistra.



Il cassetto per verdure è fissato a una base scorrevole e può essere rimosso dall'apparecchio.

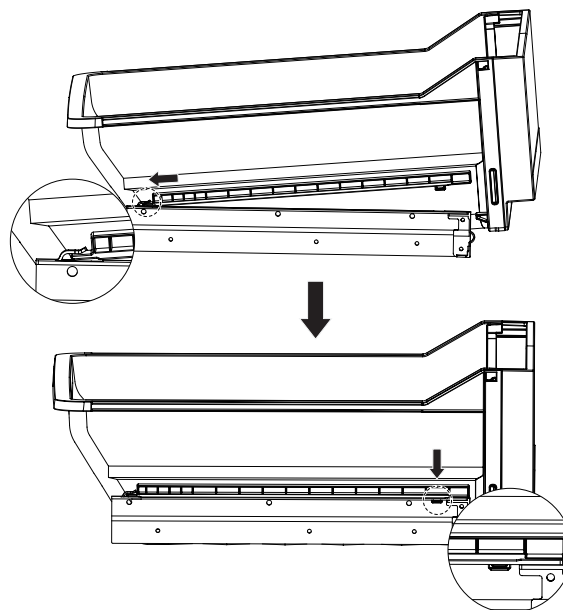
Per rimuovere il cassetto per verdure, seguire questi passaggi:

1. Estrarre completamente il cassetto.
2. Sollevare la parte anteriore del cassetto dalla base.
3. Rimuovere il cassetto dalla base.



Per rimontare il cassetto per verdure, seguire questi passaggi:

1. Estrarre completamente la base.
2. Posizionare il retro del cassetto sulla base, quindi far scorrere le due linguette posteriori nelle due scanalature della base.
3. Inserire le due linguette anteriori nella base.



Consigli

Consigli per la refrigerazione di alimenti freschi

- Coprire o avvolgere gli alimenti, in particolare quelli con un gusto o un aroma forte.
- Posizionare gli alimenti in modo che l'aria possa circolare liberamente attorno ad essi.
- Per ottenere le massime prestazioni, lasciare uno spazio sufficiente nel vano frigo in modo che l'aria possa circolare attorno alle confezioni. Inoltre, lasciare spazio sufficiente nella parte anteriore, in modo che lo sportello possa chiudersi saldamente.
- Non introdurre alimenti o liquidi caldi nel vano frigo.
- Carne (di tutti i tipi): avvolgerla in una confezione adatta e riporla sullo scaffale in vetro sopra al cassetto per verdure. Conservare la carne al massimo per 1-2 giorni.
- Alimenti cotti e piatti freddi: coprire e posizionarli su qualunque scaffale.
- Frutta e verdura: pulire accuratamente e riporla nel cassetto per verdure. Banane, patate, cipolle e aglio non devono essere conservati nel frigorifero senza confezione.
- Burro e formaggio: posizionarli in dei contenitori speciali ermetici oppure avvolgerli nella pellicola di alluminio o in dei sacchetti di polietilene, per impedire quanto più possibile che l'aria penetri all'interno.
- Bottiglie: chiuderle con dei tappi e posizionarle sui ripiani per sportello.

Congelamento di alimenti freschi

- La quantità massima di alimenti freschi che può essere congelata in 24 ore è riportata sulla targa di identificazione.
- Non disporre gli alimenti freschi a contatto con quelli già congelati, per evitare l'aumento della temperatura di questi ultimi.
- Collocare gli alimenti freschi nell'area di congelamento del vano congelatore, lasciando uno spazio sufficiente tra un alimento e l'altro per consentire all'aria di circolare liberamente.
- Avvolgete gli alimenti per proteggerli dall'acqua, dall'umidità o dalla condensa; in questo modo eviterete la diffusione di eventuali odori nel frigorifero e garantirete una migliore conservazione dei cibi congelati.
- Gli alimenti magri si conservano meglio e più a lungo di quelli ricchi di grassi, mentre il sale riduce la durata di conservazione degli alimenti.
- Non collocare mai alimenti caldi nel congelatore. Raffreddare gli alimenti caldi prima di congelarli fa risparmiare energia e prolunga la durata di vita dell'apparecchio.
- Non ricongelare gli alimenti parzialmente scongelati.

Installazione

⚠ AVVERTENZA! Prima di installare l'apparecchio, leggere attentamente le informazioni sulla sicurezza contenute nel libretto relativo alla sicurezza e alla garanzia.

⚠ AVVERTENZA! Per una corretta installazione dell'apparecchio, fare riferimento alle istruzioni di assemblaggio fornite separatamente.

⚠ AVVERTENZA! Fissare l'apparecchio secondo le istruzioni di montaggio separate per evitare rischi di instabilità dello stesso.

Luogo di utilizzo

Questo apparecchio deve essere installato in un luogo interno asciutto e ben ventilato. Non installare l'apparecchio nelle vicinanze di fonti di calore (ad es. forni, stufe, termosifoni, fornelli e piani cottura) o in luoghi esposti alla luce solare diretta.

- ⓘ In caso di dubbi in merito all'installazione, rivolgersi al rivenditore, al servizio clienti o al centro di assistenza autorizzato più vicino.
- ⓘ Garantire la possibilità di scollegare l'apparecchio dall'alimentazione di rete. La spina deve quindi essere facilmente accessibile dopo l'installazione.

Lista di controllo per l'ispezione

Seguire la lista di controllo per l'ispezione prima di utilizzare l'apparecchio. In caso di risposta "Negativa", adottare la misura necessaria. Ricordarsi di prendere nota del numero di serie del prodotto e del codice prodotto, se necessario, nonché di allegare lo scontrino a questa pagina.

Numero di serie del prodotto (N. di serie):

.....

Codice prodotto (Cod. prodotto):

.....

Data di acquisto:

.....

Controllo	Se la risposta è Negativa
Assicurarsi che la guarnizione sia in grado di garantire la tenuta su tutto il perimetro dello sportello quando lo stesso è chiuso.	Vedere le istruzioni di montaggio, allineamento dello sportello.
Verificare che non vi siano collisioni tra le parti e i mobili durante l'apertura e la chiusura degli sportelli.	Vedere le istruzioni di montaggio, allineamento dello sportello.
Installare l'apparecchio come apparecchio da incasso.	Seguire le istruzioni di assemblaggio per garantire una corretta installazione.
Alla prima installazione o dopo aver invertito gli sportelli, assicurarsi che l'apparecchio rimanga in posizione verticale per almeno 4 ore prima di essere collegato all'alimentazione.	Attendere 4 ore prima di collegare l'apparecchio all'alimentazione.

Pulizia dell'apparecchio

Prima di utilizzare l'apparecchio per la prima volta, pulirlo per eliminare l'odore tipico di un prodotto nuovo.

1. Assicurarsi che l'apparecchio sia scollegato dall'alimentazione.
2. Pulire all'interno con un panno morbido e umido.
3. Lavare gli accessori interni con acqua tiepida e sapone neutro, poi asciugare completamente.

ATTENZIONE!

Non utilizzare detergenti o solventi abrasivi, a base di cloruro o acidi.

- Non utilizzare spugne abrasive. Le superfici metalliche potrebbero deteriorarsi.
- Non lavare gli accessori in lavastoviglie. Potrebbero deformarsi.

Collegamento elettrico

⚠ ATTENZIONE! Tutti gli interventi elettrici necessari per installare l'apparecchio devono essere eseguiti da un elettricista qualificato o da personale competente.

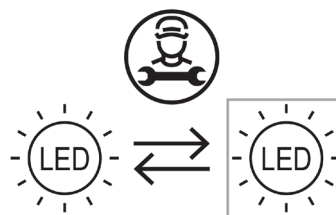
⚠ AVVERTENZA! L'apparecchio deve essere collegato a terra. L'inosservanza di queste istruzioni può causare la morte o il rischio di incendio o scosse elettriche.

Il produttore non sarà in alcun modo responsabile in caso di inosservanza delle misure di sicurezza. Questo apparecchio è conforme alle direttive CEE.


Sostituzione della lampadina

L'apparecchio è dotato di una lampadina a LED per l'illuminazione interna.

Questa lampadina può essere sostituita solo da un tecnico qualificato. Contattare il centro assistenza autorizzato. Per usufruire di un servizio di assistenza più rapido, consultare sempre l'elenco completo dei centri di assistenza autorizzati che si trova alla fine della sezione Sicurezza e garanzia o del manuale d'uso completo e chiamare i numeri di telefono del centro corrispondente.



Informazioni tecniche

Categoria del prodotto	
Tipo di prodotto	Frigorifero - Congelatore
Tipo di installazione	A incasso
Dimensioni del prodotto	
Altezza	1785 mm
Larghezza	540 mm
Profondità	550 mm
Volume netto	
Frigorifero	193,0 litri
Congelatore	74,0 litri
Sistema di sbrinamento	
Frigorifero	Automatico
Congelatore	Automatico
Altre specifiche	
Valutazione a stelle	
Tempo di aumento della temperatura	9 ore
Capacità di congelamento	6 kg/24 ore
Consumo energetico	184 kWh/anno
Livello di rumorosità	35 dB (A), Classe B
Classe di efficienza energetica	D
Tensione nominale	220-240 V~
Frequenza nominale	50 Hz
Classe di efficienza energetica della sorgente luminosa	F

Nota: le informazioni sul prodotto contenute nel database dei prodotti sono accessibili eseguendo la scansione del codice QR sull'etichetta EPREL.

- ❶ Il codice prodotto e il numero di serie sono riportati sulla targa di identificazione sul lato interno sinistro dell'apparecchio.

