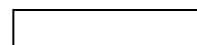
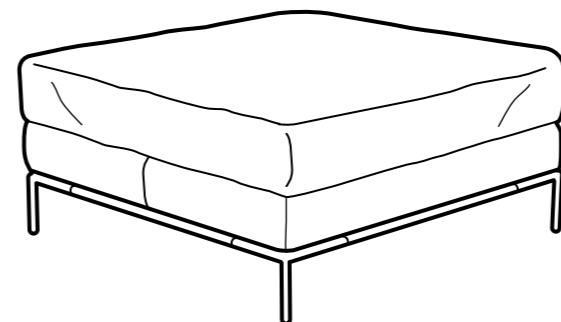
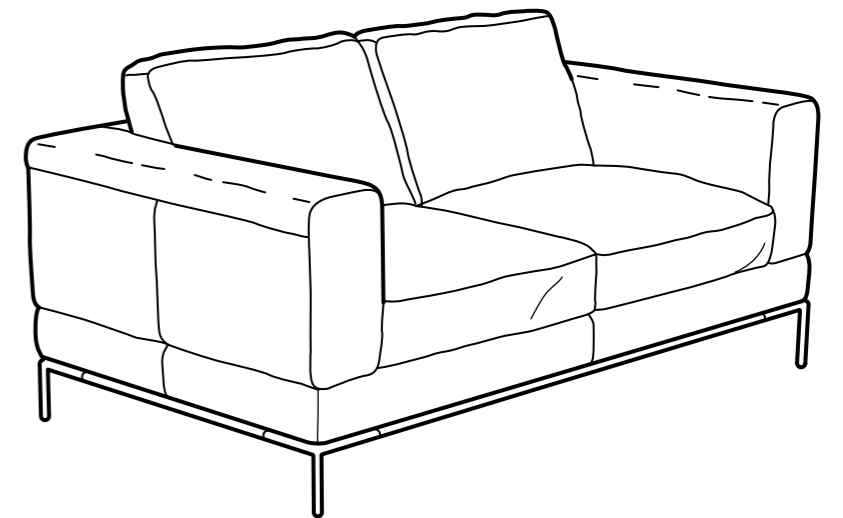
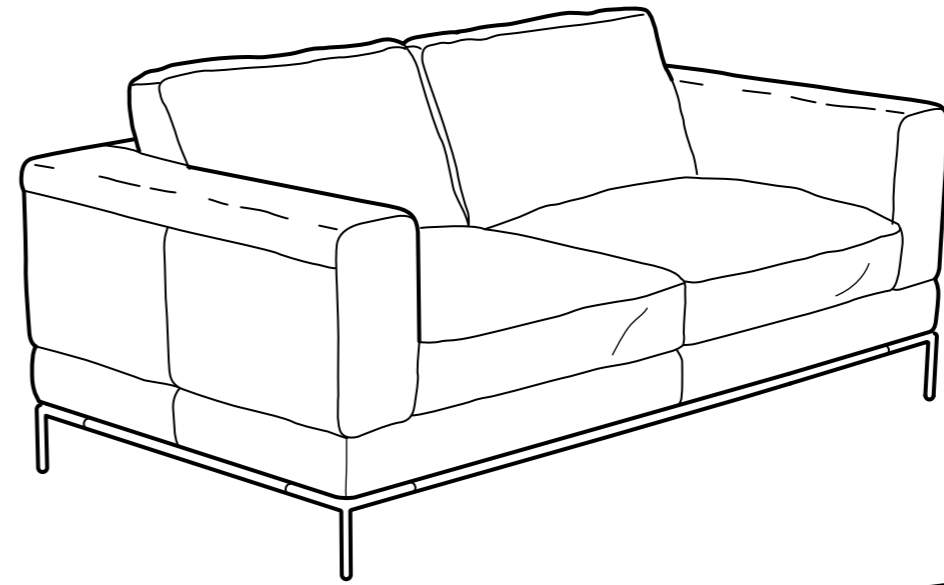
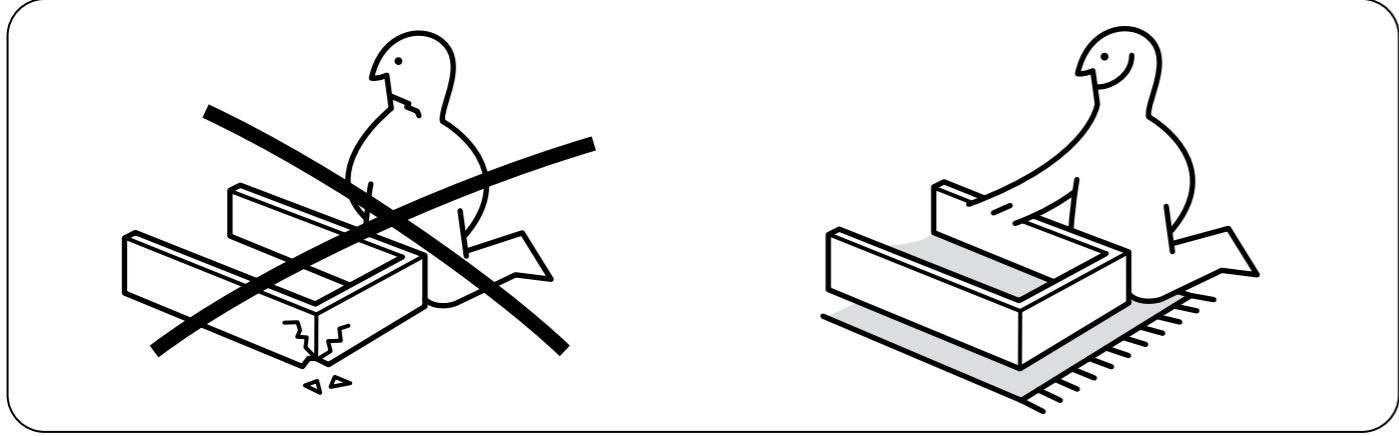
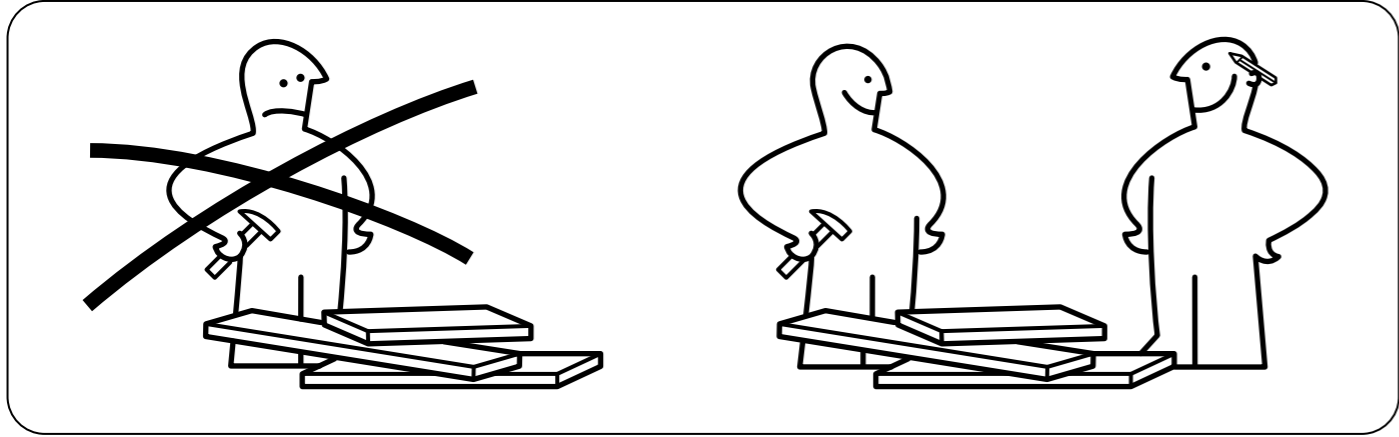
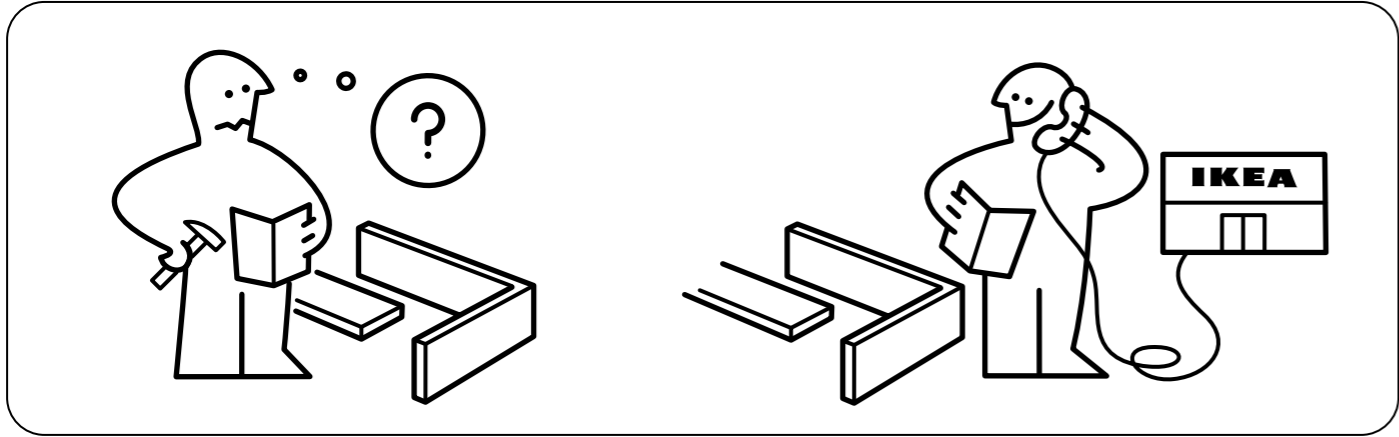
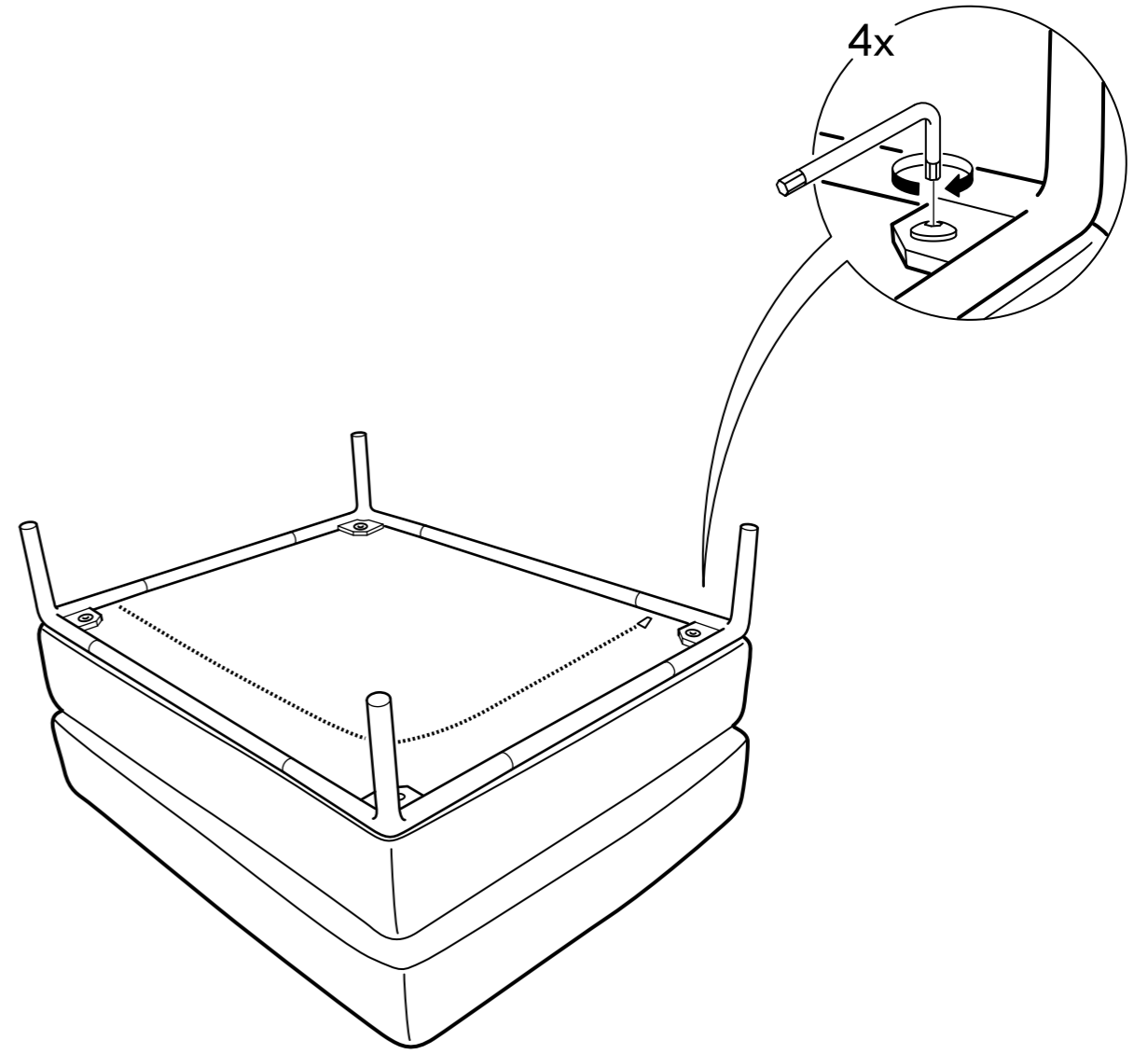


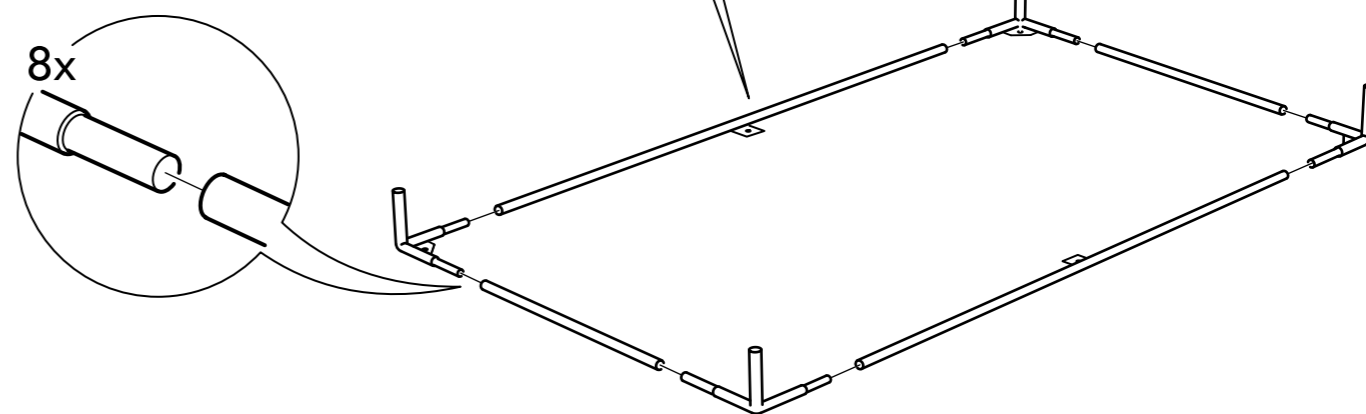
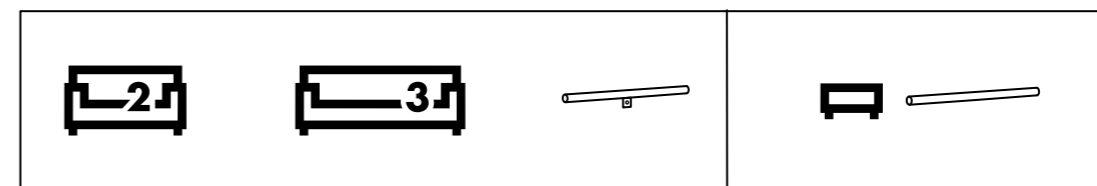
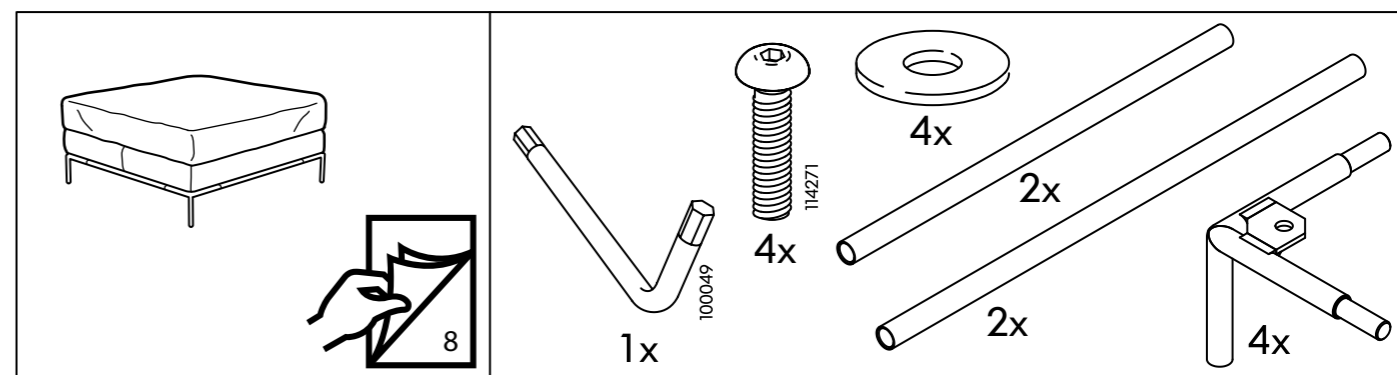
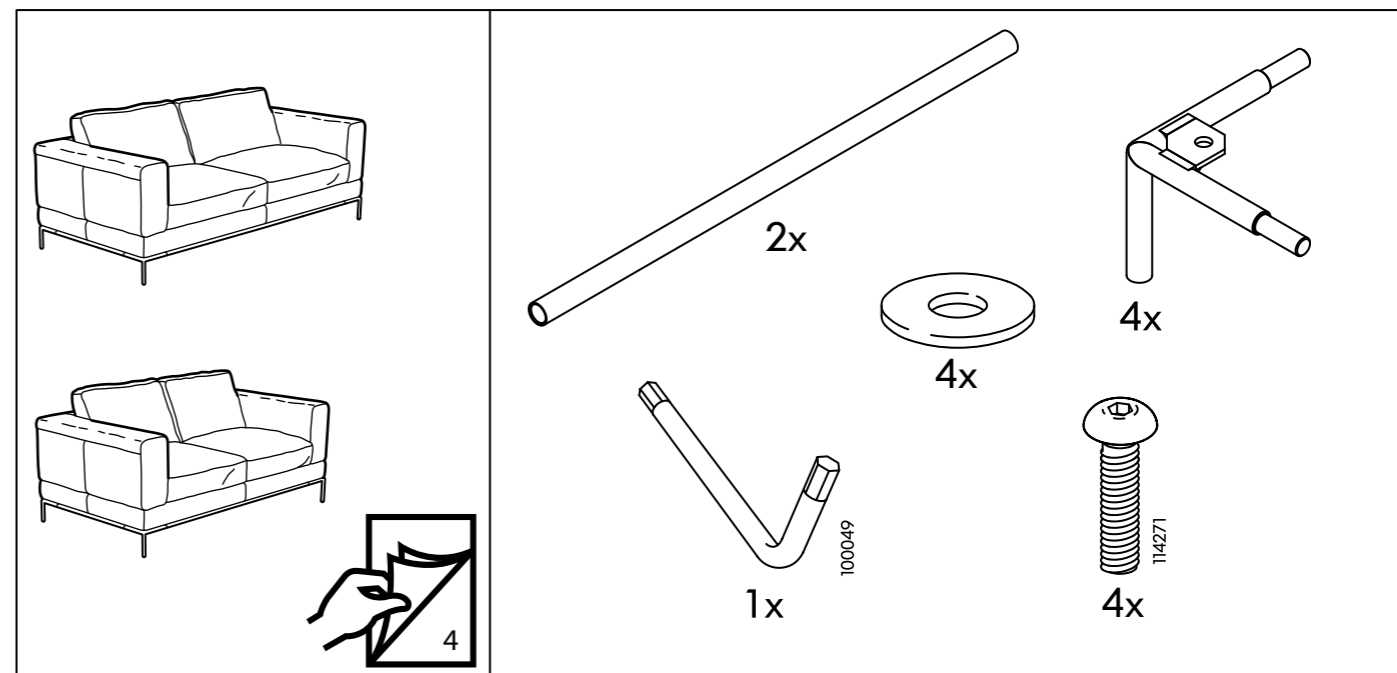
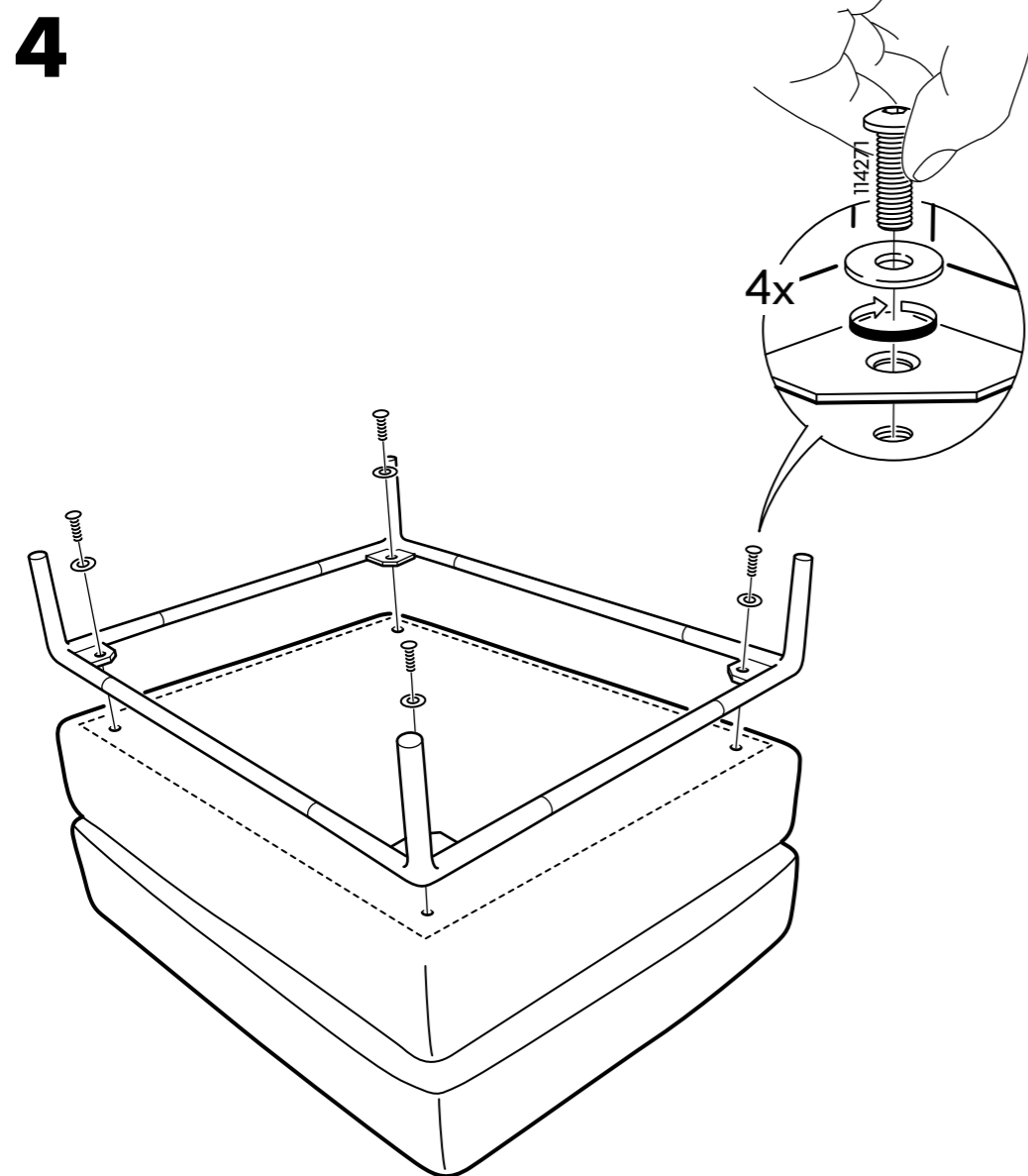
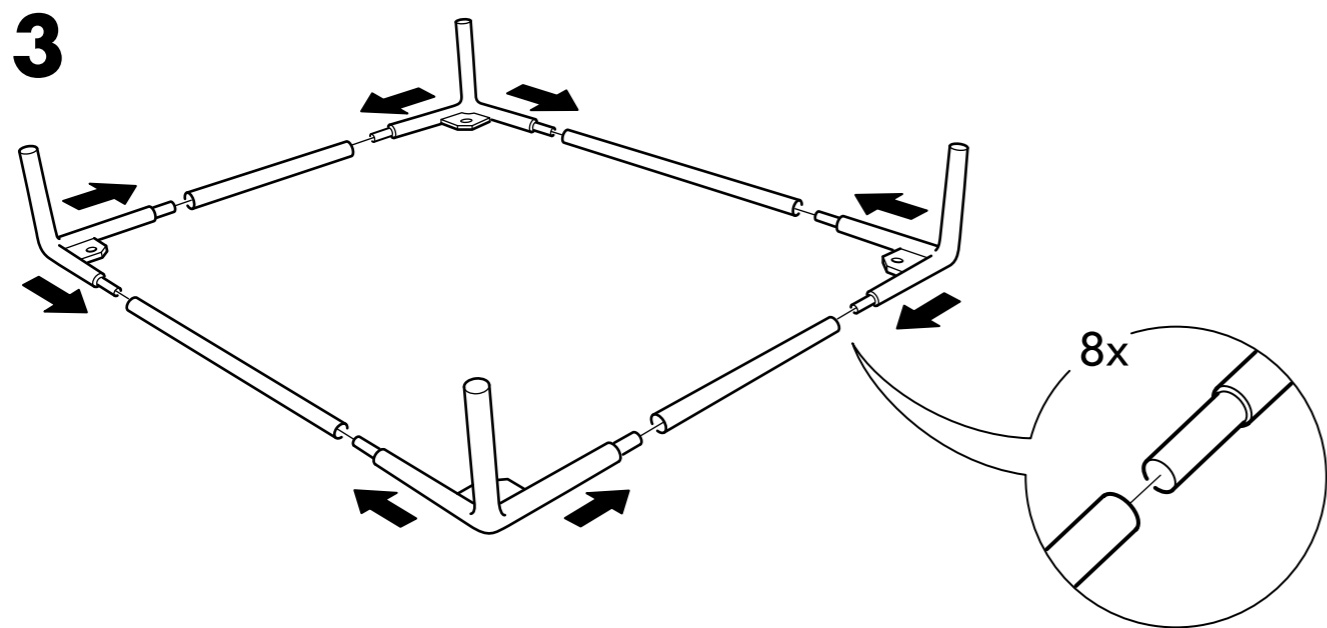
ARILD

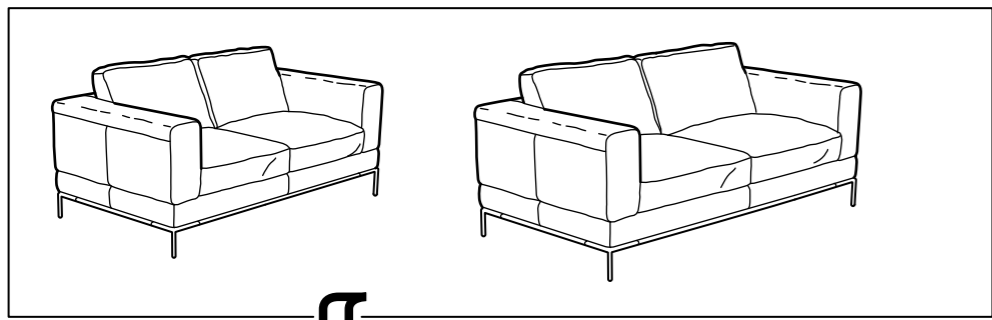




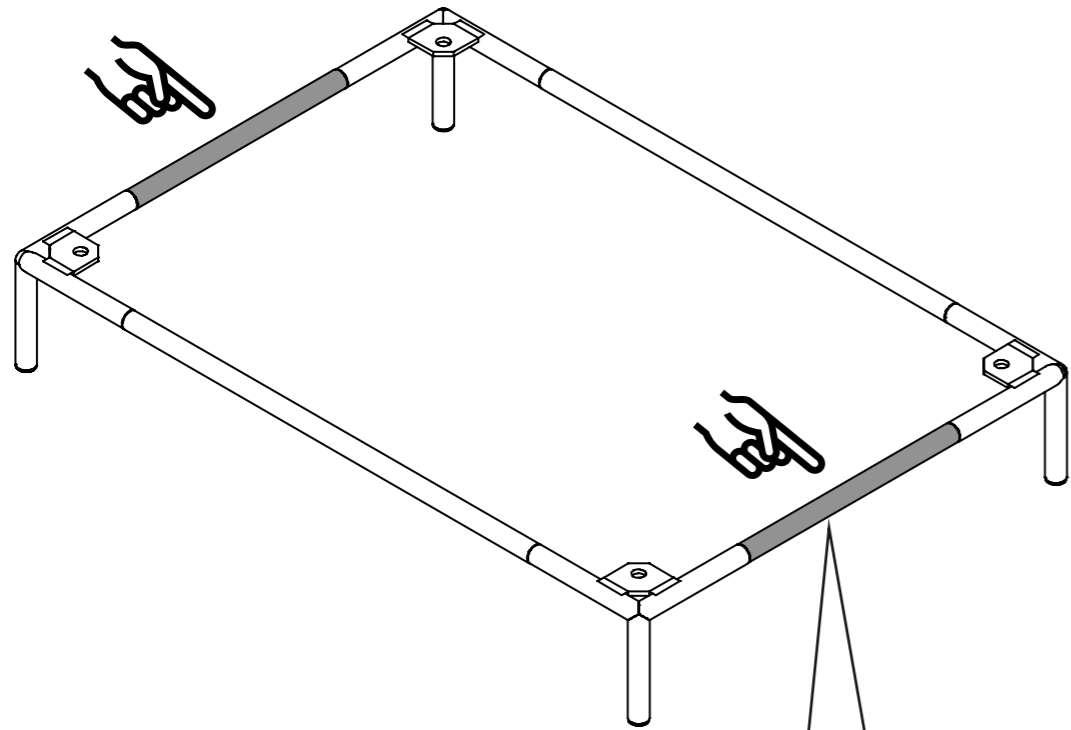
5



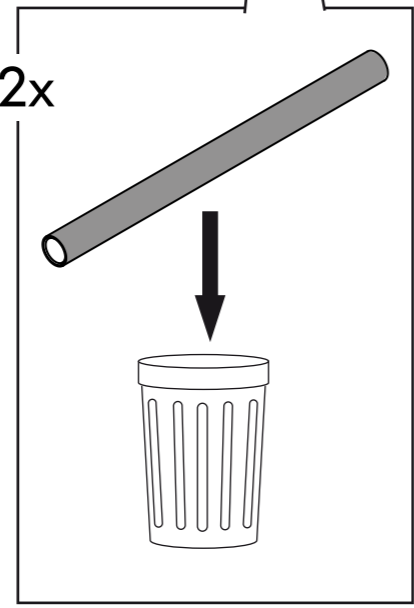




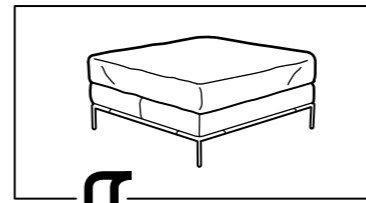
1



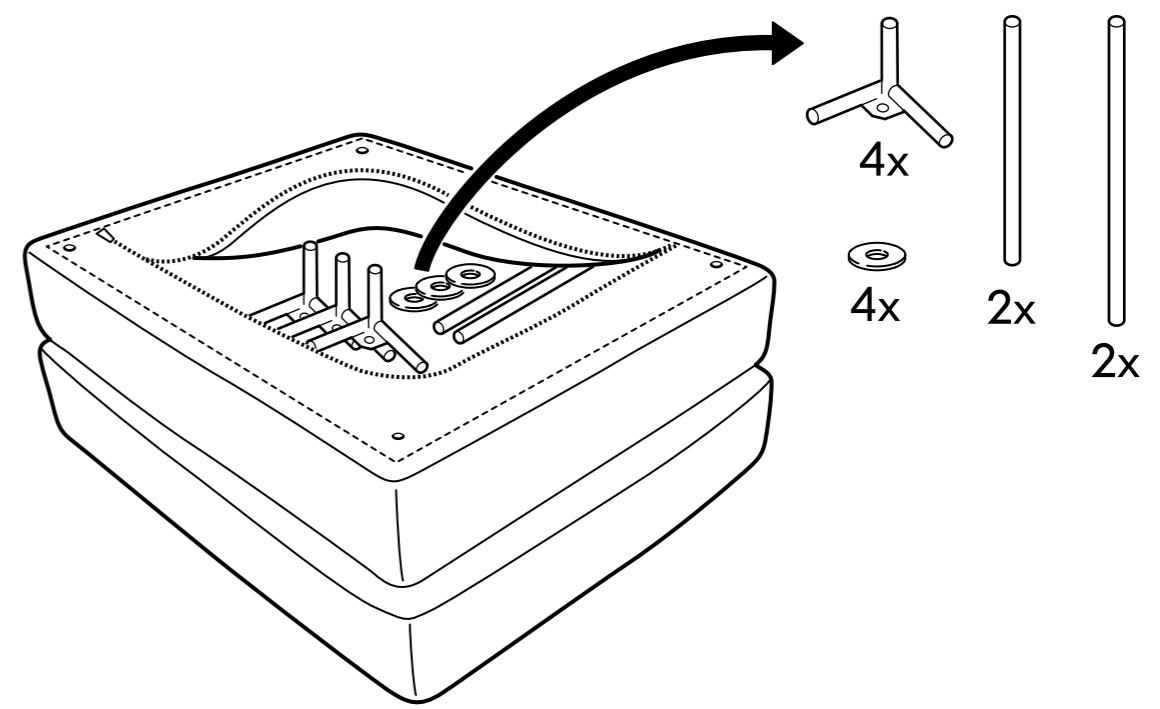
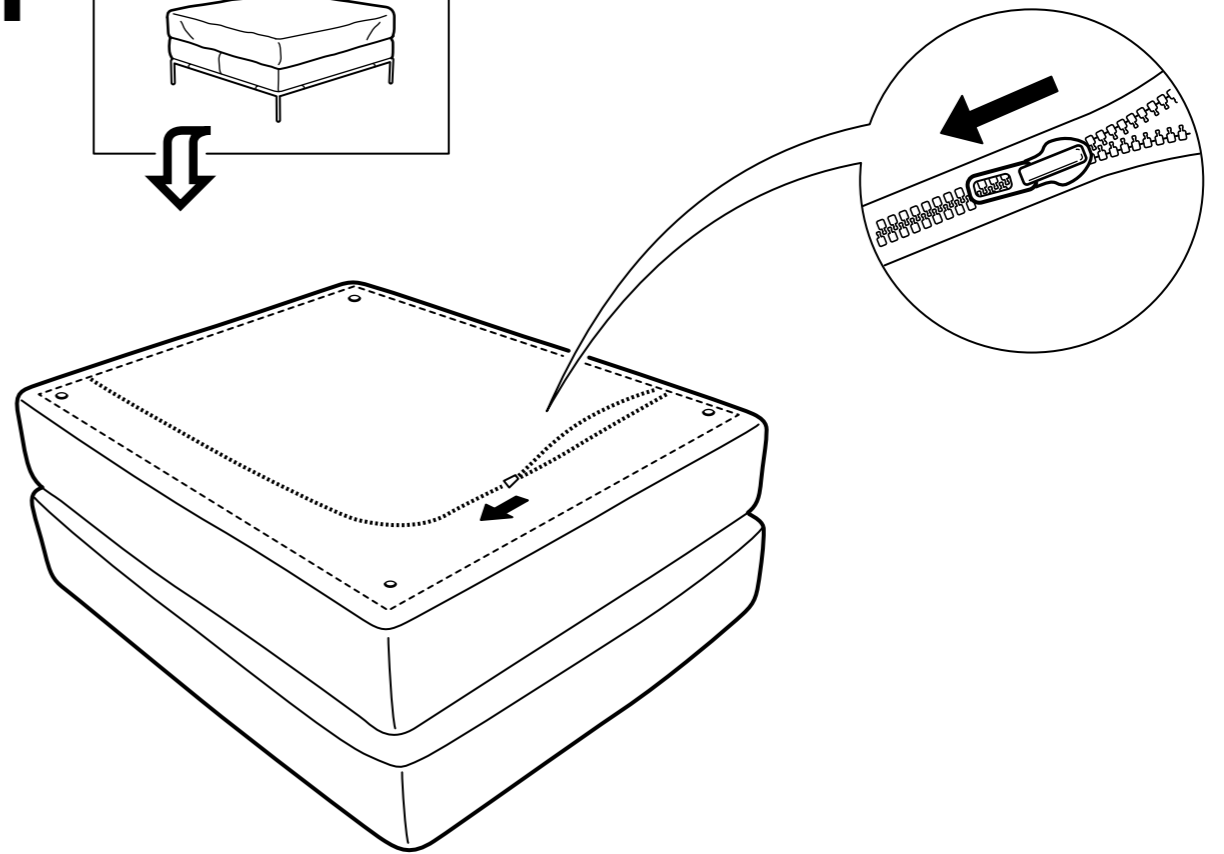
2x



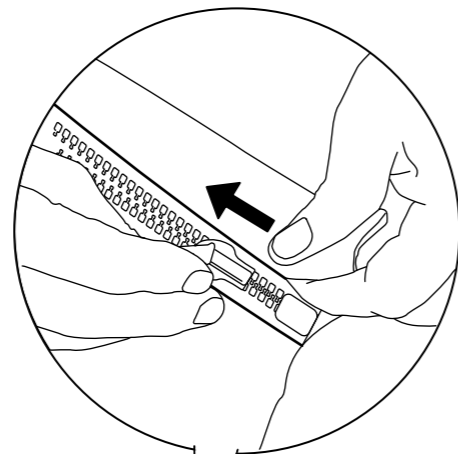
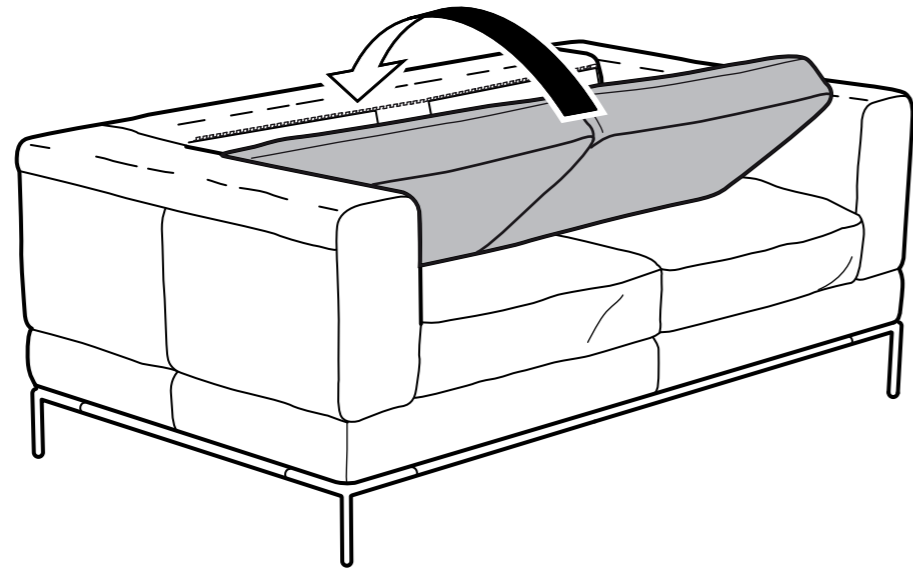
1



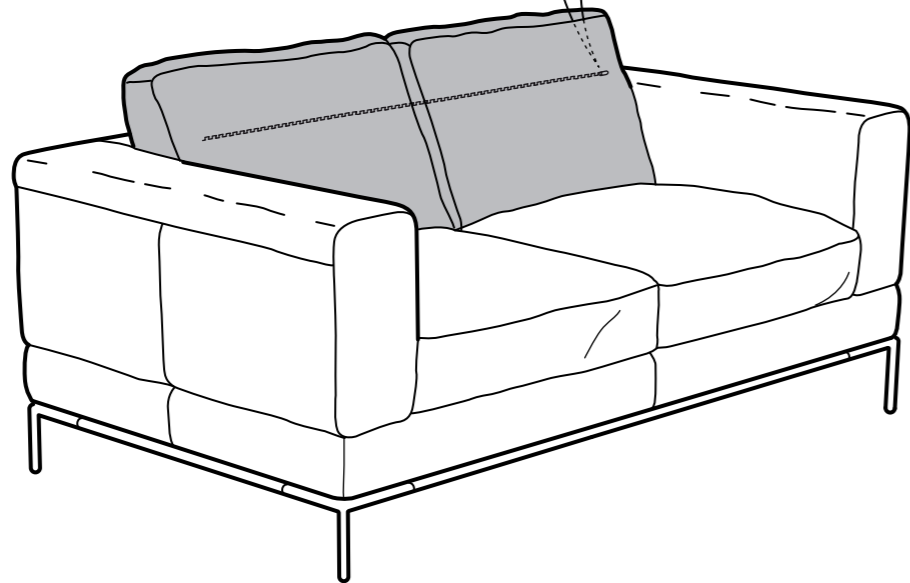
2



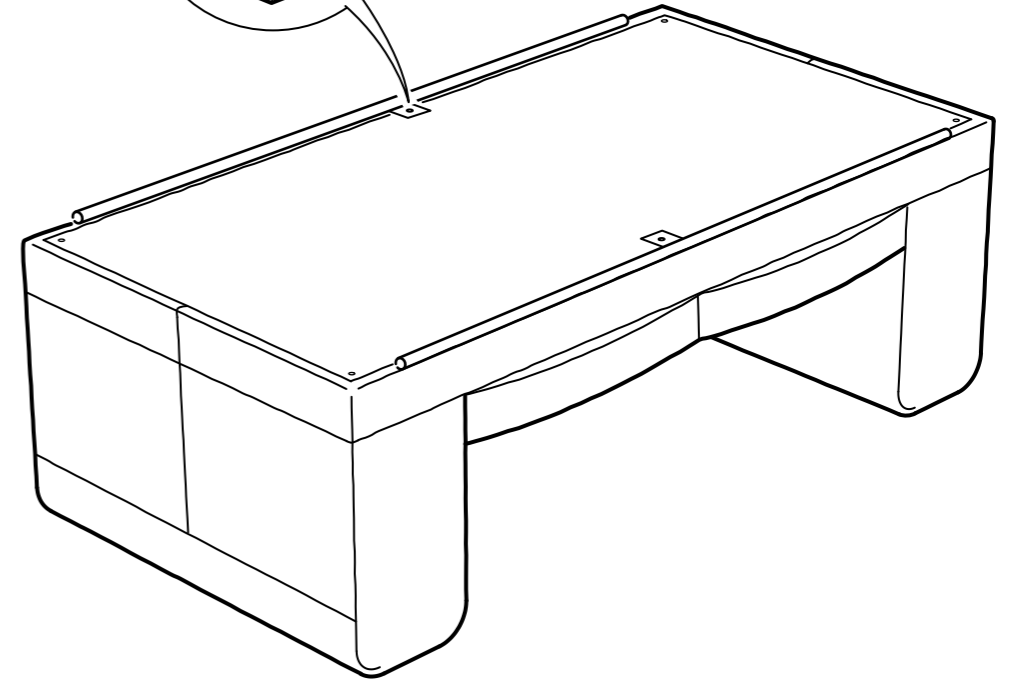
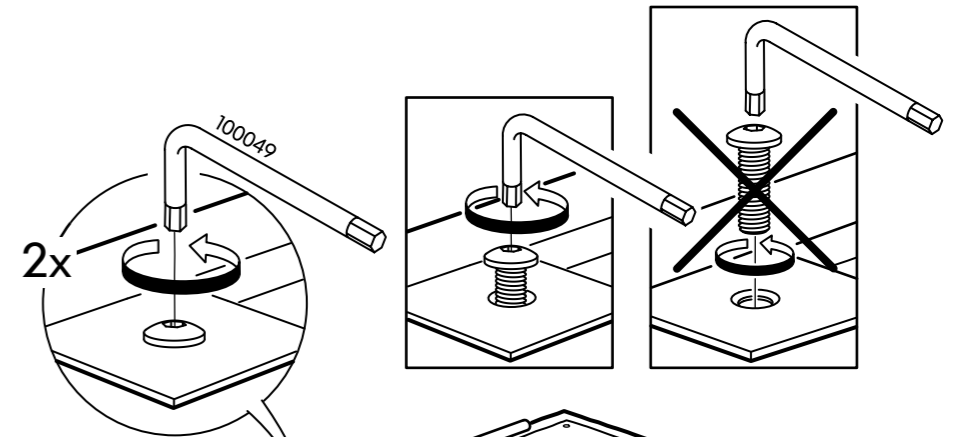
8



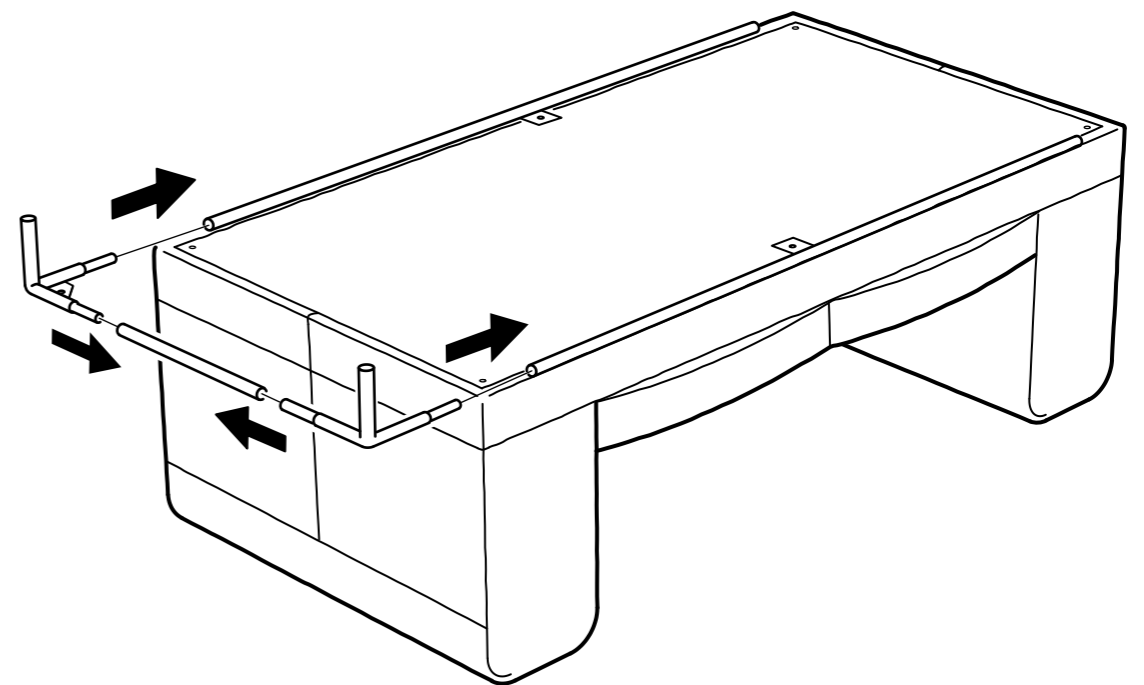
9



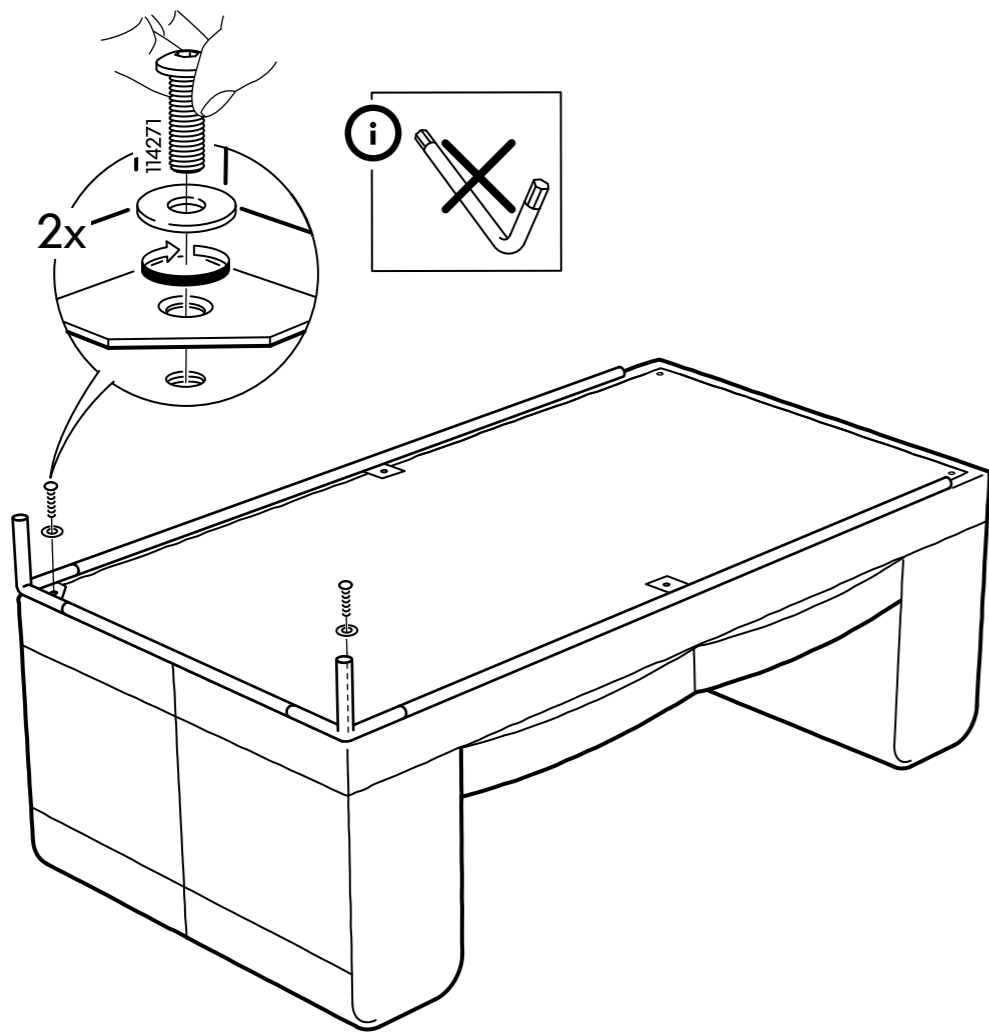
2



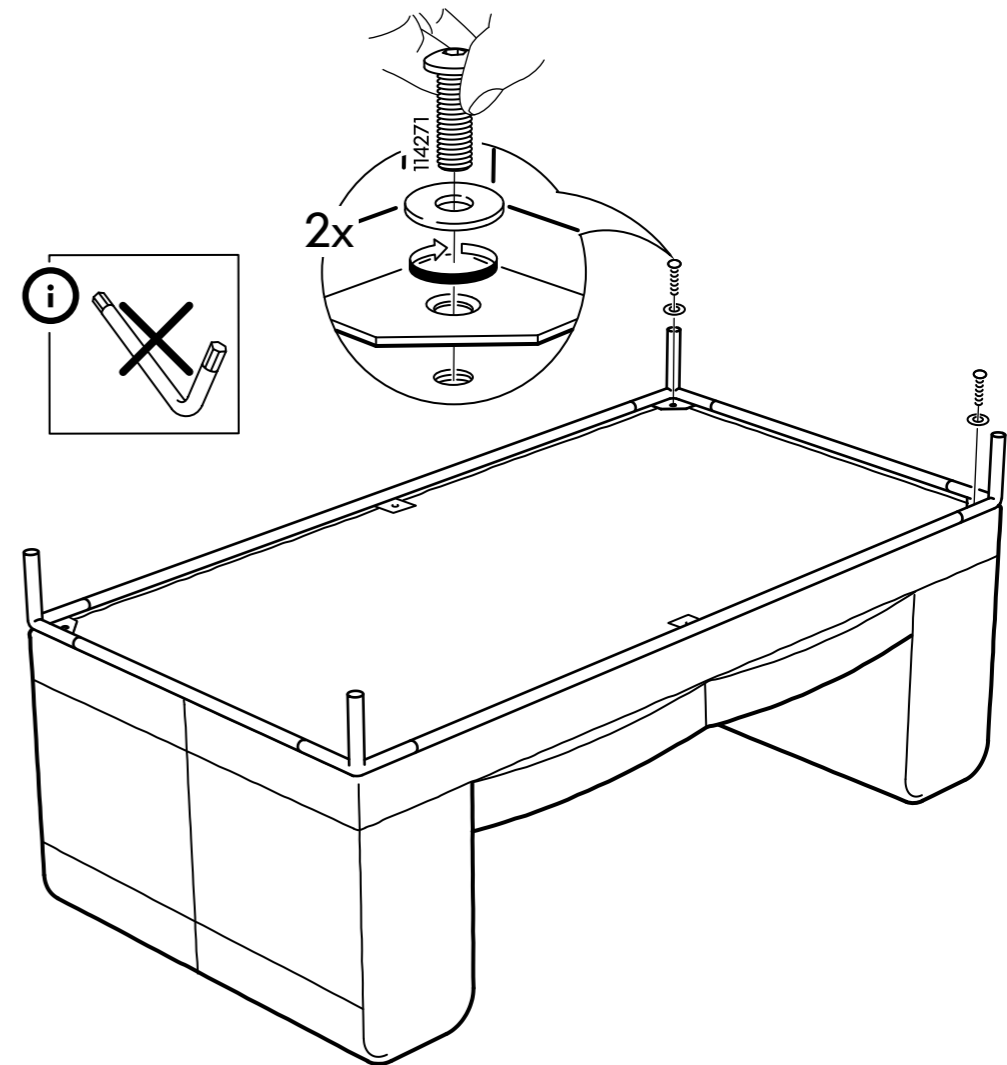
3



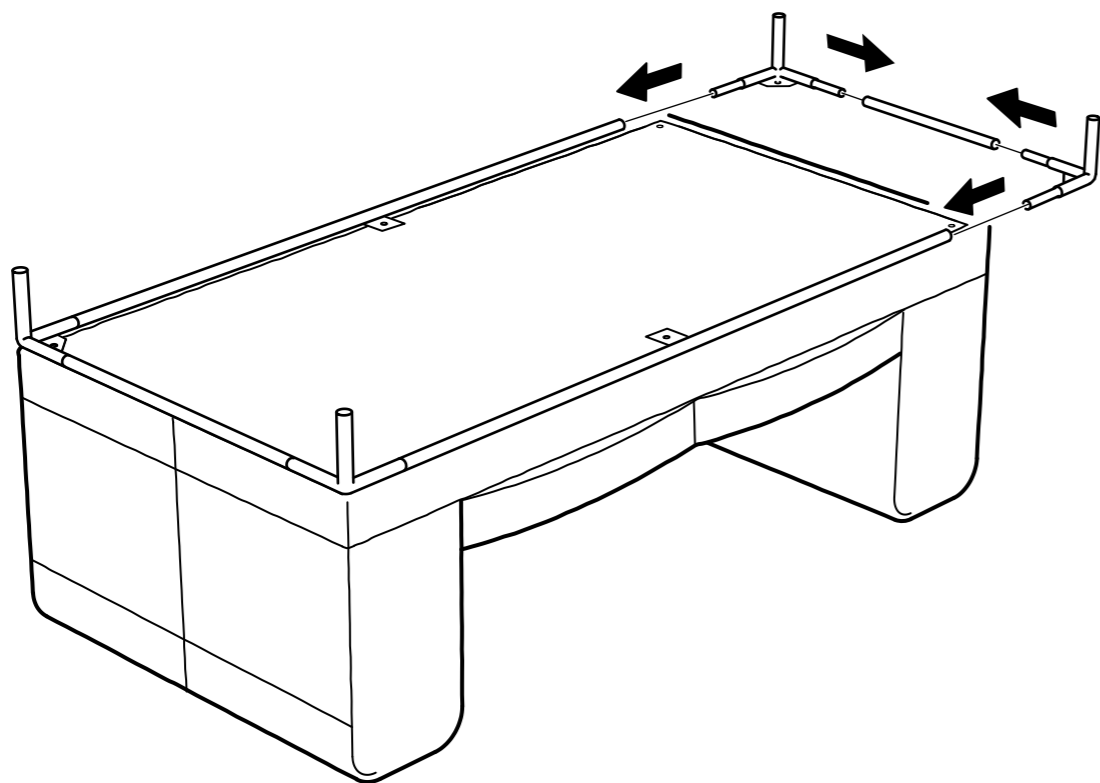
4



6



5



7

