

# KIVIK

## Seating series

### Designer

Ola Wihlborg

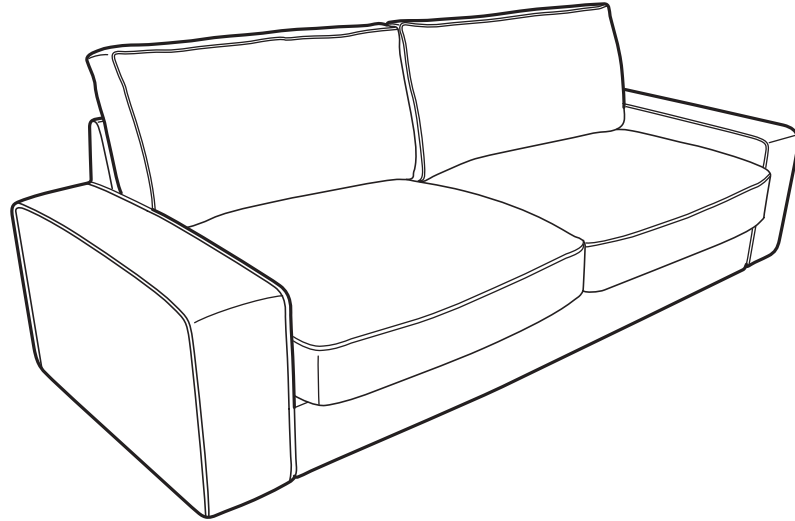
### Models

Footstool with storage

Chaise lounge

Loveseat

Sofa



Removable  
washable cover



Fixed cover



Choice of cover



Storage in footstool



Available in leather and  
coated fabric



Read more in the  
warranty brochure.

Requires assembly.

### Comfortable sofa at an attractive price

KIVIK seating series is made for people who want extra comfortable seating without costing more than necessary. Every detail, inside and out, is adapted to give you as much comfort as possible. You can also combine the different parts in the series in different ways to suit you and your home. This way, you always have room for relaxation.

### Follows your body and gives support

The seat cushions in KIVIK seating series have a layer of memory foam that softly follows the contours of your body and gives comfortable support exactly where you need it. The wide armrests have a thick padding that's nice both to rest your neck against and to sit on. If you choose to add a chaise longue and footstool, you will have a combination you can really stretch out on. Then you can count on maximum comfort.

### Choose your own combination

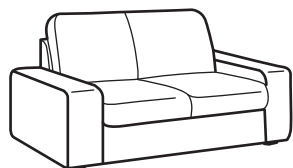
It's easy to adapt KIVIK seating series to suit your home and your needs. You can, for example, combine the sofas with a generous chaise longue for extra room and comfort. You have every possibility to create your own personal solution!

This is a reference guide created to better assist customers when purchasing products. While a high level of accuracy has been sought in its preparation, we cannot guarantee that there are no errors or omissions nor will we be bound by them. Availability may vary by store and prices are subject to change. Please see an IKEA co-worker or visit [www.IKEA.ca](http://www.IKEA.ca) for more information.



# Combinations

Overall size: Width×Depth×Height.

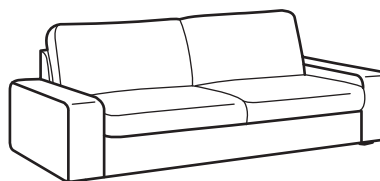


## KIVIK loveseat

Overall size: W190×D95×H83 cm (74¾×37¾×32½")

### Total price incl. cover

Skiftebo dark gray	493.055.80
Orrsta red	892.529.66
Orrsta light gray	090.114.19
Tallmyra beige	293.890.00
Tallmyra white/black	093.890.01
Hillared anthracite	091.936.69
Hillared beige	391.943.99
Hillared dark blue	991.937.35
Grann/Bomstad black	801.985.87
Grann/Bomstad dark brown	102.048.41

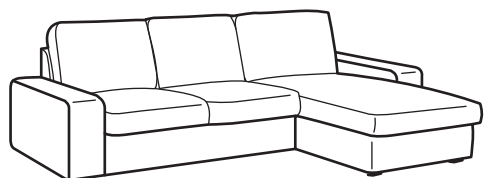


## KIVIK sofa

Overall size: W228×D95×H83 cm (89¾×37¾×32½")

### Total price incl. cover

Skiftebo dark gray	893.055.83
Orrsta red	792.529.76
Orrsta light gray	390.114.32
Tallmyra beige	893.890.02
Tallmyra white/black	693.890.03
Hillared anthracite	991.936.79
Hillared beige	091.944.09
Hillared dark blue	591.937.56
Grann/Bomstad black	401.985.94
Grann/Bomstad dark brown	802.048.52



## KIVIK loveseat with chaise lounge

Overall size: W280×D95/163×H83 cm (110¼×37¾/64¼×32½")

### Total price incl. cover

Skiftebo dark gray	993.055.68
Orrsta red	992.529.61
Orrsta light gray	190.114.14
Tallmyra beige	493.890.04
Tallmyra white/black	193.890.05
Hillared anthracite	191.936.64
Hillared beige	691.943.93
Hillared dark blue	091.937.30
Grann/Bomstad black	498.943.76
Grann/Bomstad dark brown	799.047.03



## KIVIK sofa with chaise lounge

Overall size: W318×D95/163×H83 cm (125¼×37¾/64¼×32½")

### Total price incl. cover

Skiftebo dark gray	093.055.63
Orrsta red	892.529.71
Orrsta light gray	790.114.25
Tallmyra beige	993.890.06
Tallmyra white/black	793.890.07
Hillared anthracite	091.936.74
Hillared beige	191.944.04
Hillared dark blue	691.937.46
Grann/Bomstad black	099.047.11
Grann/Bomstad dark brown	899.047.12

# Good to know

## Our fabrics have been tested

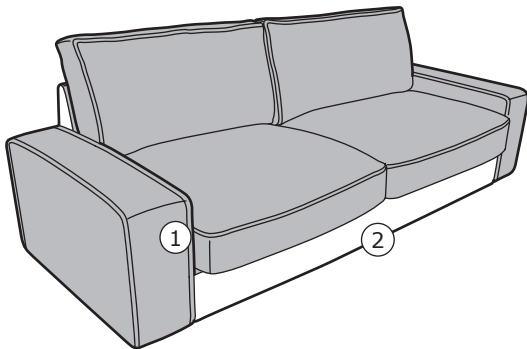
At IKEA, we test the fabric covers on our sofas and armchairs so you can be sure they're durable. The fabric's ability to resist abrasion is tested by using a machine to rub it against another fabric while applying firm pressure. A fabric that can take 15,000 cycles is suitable for furniture that must withstand everyday life at home—and if it can take more than 30,000 cycles, it is very resistant to abrasion. All fabrics are sensitive to sunlight, which is why we also check that our fabrics resist fading effectively.

## Durable in different ways

Tough tests are an important way to check the durability of our fabric covers, but they don't tell the whole story. Durability also depends on materials, construction and manner of use. Heavy, tightly woven fabrics with a flat surface are most resistant to abrasion. Fabrics with a mixture of natural and synthetic fibres can withstand abrasion better than fabrics with only natural fibers. Yarn-dyed fabrics are more durable than fabrics with printed patterns. And a dirty cover wears out faster than a clean one. The fabric is also affected by how you use your sofa of course.

	Washing instructions	Resistance to abrasion (cycles)	Light fastness (0-6)
Skiftebo: 100% polyester.	Machine washable at 40°C.	35.000	5
Hillared: 55% cotton, 25% polyester, 12%viscose/nylon, 8% linen.	Machine washable at 40°C.	30.000	5
Tallmyra: 78% cotton, 22% polyester	Machine washable at 40°C.	30.000	5
Orrsta: 65% polyester, 30% cotton.	Machine washable at 40°C.	20.000	5

## Leather and coated fabric sofas



## Our fabrics have been tested

KIVIK leather sofa is a combination of our 1.2 mm thick grain leather called Grann, which is a soft yet durable dyed-through leather, and Bomstad coated fabric. Coated fabric has the look and feel of leather at a lower cost.

This is why IKEA often uses a combination of both, with leather on direct contacts areas such as seating surfaces and armrests (1), and coated fabric on other outer surfaces (2).

## Grain leather

The natural variations in the hide are visible, as the leather is treated with only a light colour coating for protection. The leather will acquire a beautiful patina over time. It's also easy to care for – just vacuum regularly with the soft brush attachment on your vacuum cleaner.

# Services

We offer a range of services to help you with everything from putting it together to getting it home. Of course, the more you do yourself, the lower the price will be. And the more we do for you, the more you can sit back and relax!



## Delivery service

Can't take your furniture with you?  
We'll bring it to your home  
or workplace.



## Click and Collect

Your online purchases can be ready for  
pick-up on a day that's convenient for you.  
Have access to all items available to  
purchase online at [IKEA.ca](http://IKEA.ca). It's easy:

1. Buy your items online
2. Pre-select a date to collect  
your order
3. Pick-up your purchase at an  
IKEA store near you.



## Assembly service

Sometimes it's nice to have someone else  
to put your furniture together.  
We're happy to do it for you.

Talk to a co-worker or visit [www.IKEA.ca/services](http://www.IKEA.ca/services) for further details and pricing.