

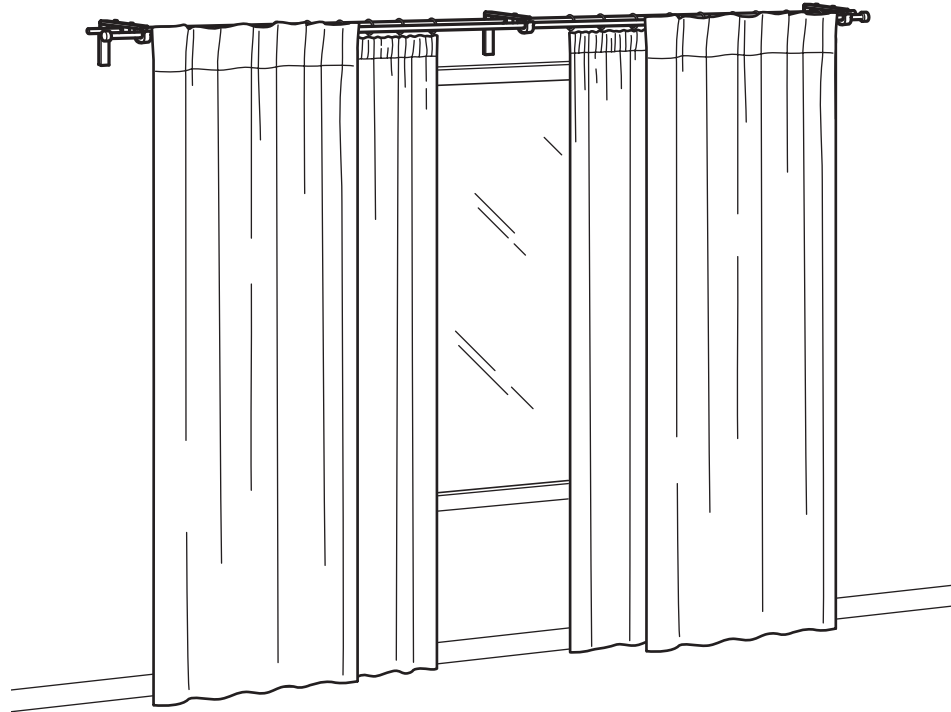
BETYDLIG/RÄCKA/HUGAD

Wall/ceiling bracket and curtain rod

Components

Wall/ceiling bracket
Curtain rod holder
Curtain rod
Finial
Curtain rod corner connector

Requires assembly



Our curtain rod range lets you combine different components to create a solution that suits your needs. The brackets can be mounted on the wall or on the ceiling. Adding curtain rod holders to the brackets and one more rod gives you the possibility to create a two layer solution.

The rods and brackets come in three colours, white, black and silver and can be completed with any of the finials in our range. For a completely different look, just change the colour, it's fun and easy!

This is a reference guide created to better assist customers when purchasing products. While a high level of accuracy has been sought in its preparation, we cannot guarantee that there are no errors or omissions nor will we be bound by them. Availability may vary by store and prices are subject to change. Please see an IKEA co-worker or visit www.IKEA.ca for more information.

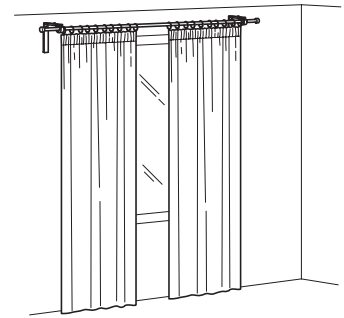


How to build

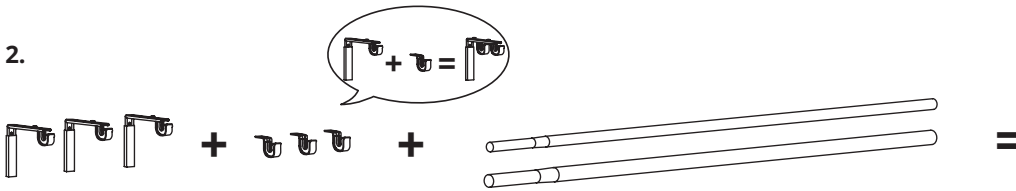
1.



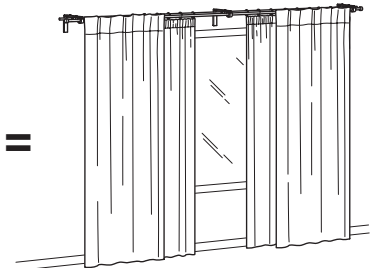
Two wall/ceiling brackets are needed for curtain rods up to 140 cm (55").



2.



Three wall/ceiling brackets are needed for curtain rods longer than 140 cm (55") and four brackets for curtain rods longer than 280 cm (110").

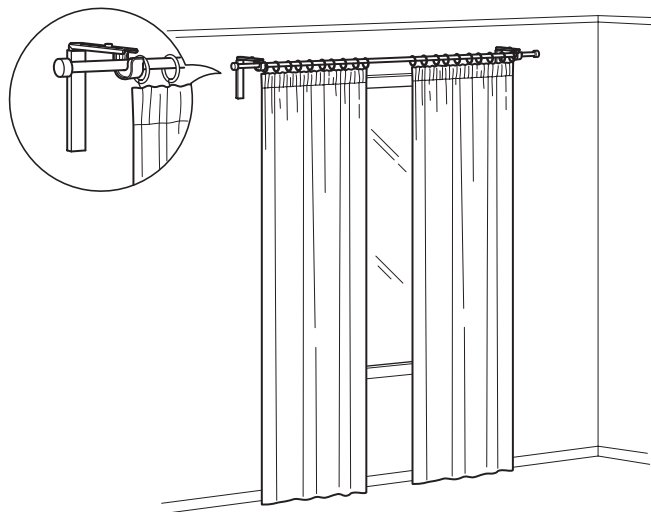


1. Brackets can be mounted on the wall or the ceiling. The position of the curtain rod holder can be adjusted, allowing curtains to be hung either close to the window or further out.

Our curtain rods come in two diameters, three lengths and three colours. All are extendable in length.

2. To create a layered solution, you need to add additional curtain rod holders as well as an extra curtain rod. You can create solutions for up to three layers.

Combinations



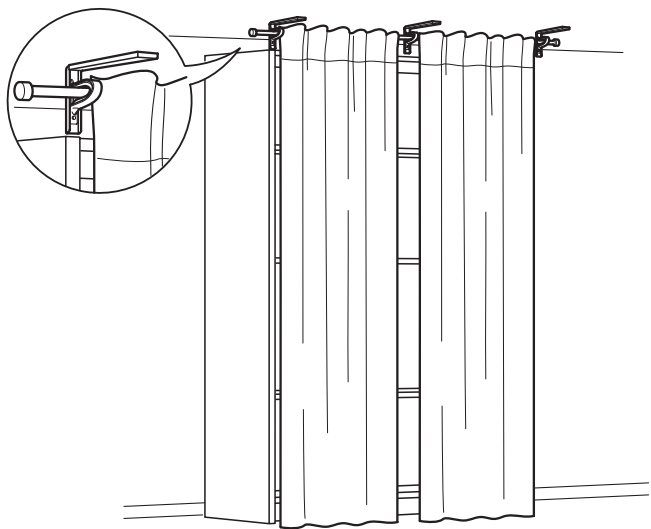
Solution for a window up to 100 cm (39") wide, with a single-layer curtain.

Window hardware

RÄCKA curtain rod 70–120 cm (27–47")	1 pc
BETYDLIG wall/ceiling bracket	2 pcs
RAFFIG finial 2-pcs/pack	1 pc

This combination

Curtains and hanging accessories are not included.



Solution for covering open storage up to 190 cm (75") wide. The brackets can be mounted on the ceiling in this case.

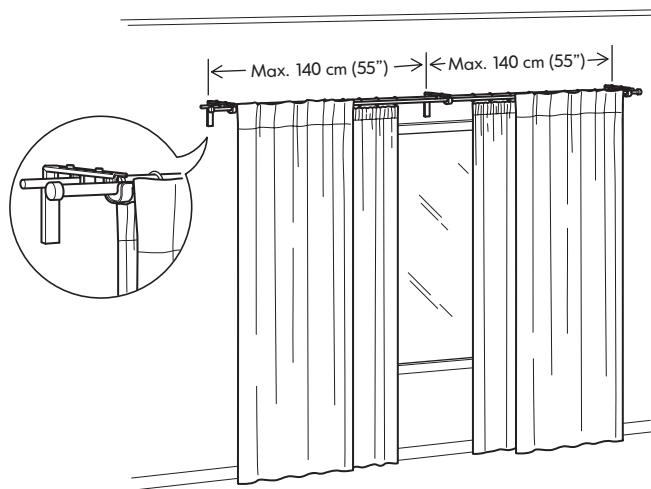
Window hardware

RÄCKA curtain rod 120–210 cm (47–83")	1 pc
BETYDLIG wall/ceiling bracket	3 pcs
RAFFIG finial 2-pcs/pack	1 pc

This combination

Curtains are not included.

Combinations



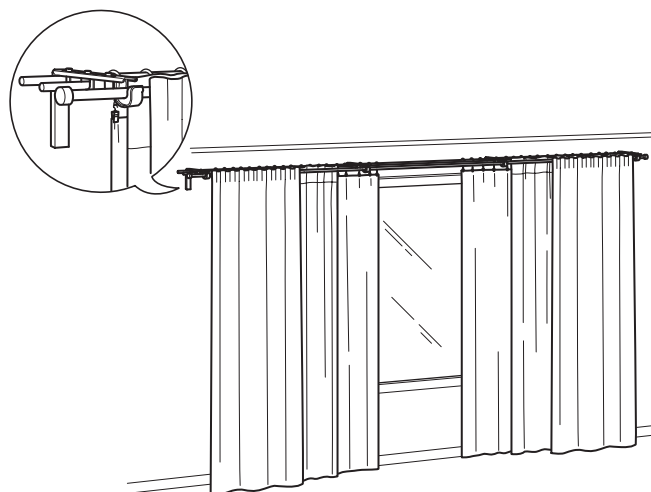
Solution for a window up to 280 cm (110") wide, with a double-layer curtain – sheer curtain inside and thick curtain outside. Keep in mind that for curtain rods between 140 cm (55") and 280 cm (110") wide, three BETYDLIG wall/ceiling brackets are needed to ensure stability.

Window hardware

RÄCKA curtain rod 210–385 cm (83–152")	1 pc
HUGAD curtain rod 210–385 cm (83–152")	1 pc
BETYDLIG wall/ceiling bracket	3 pcs
BETYDLIG curtain rod holder	3 pcs
RAFFIG finial 2-pcs/pack	1 pc

This combination

Curtains and hanging accessories are not included.



Solution for a window up to 365 cm (144") wide, with a triple-layer curtain. This configuration allows room for panels, sheer curtains and heavy curtains at the same time. For curtain rods between 280 cm (110") and 385 cm (152") in length, four BETYDLIG wall/ceiling brackets are needed to ensure stability.

Window hardware

RÄCKA curtain rod 210–385 cm (83–152")	2 pcs
HUGAD curtain rod 210–385 cm (83–152")	1 pc
BETYDLIG wall/ceiling bracket	4 pcs
BETYDLIG curtain rod holder	8 pcs
RAFFIG finial 2-pcs/pack	1 pc

This combination

Curtains and hanging accessories are not included.

All parts



BETYDLIG wall/ceiling bracket.

Black	602.172.28
White	302.198.89
Silver colour	102.198.90



BETYDLIG curtain rod holder.

Black	502.198.93
White	602.198.97
Silver colour	002.198.95



RÄCKA curtain rod, 70-120 cm (27-47").

Black	002.171.65
White	702.213.95
Silver colour	002.213.94



RÄCKA curtain rod, 120-210 cm (47-83").

Black	302.171.59
White	902.171.61
Silver colour	102.171.60



RÄCKA curtain rod, 210-385 cm (83-152").

Black	702.171.57
White	402.171.49
Silver colour	702.171.62



HUGAD curtain rod, 120-210 cm (47-83").

Black	302.171.35
White	102.171.41
Silver colour	902.171.37



HUGAD curtain rod, 210-385 cm (83-152").

Black	502.171.39
White	302.171.40
Silver colour	702.171.38



RAFFIG finial, 2-pcs/pack.

Black	202.199.36
White	502.171.82
Silver	002.199.37



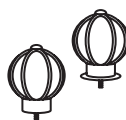
VÄSENTLIG finial, 2-pcs/pack.

White	002.171.94
-------	------------



BEFOGAD finial, 2-pcs/pack.

Metal/black	102.801.23
Metal/white	903.147.51



BLÅST finial, 2-pcs/pack.

Black	402.172.48
White	303.331.87



SYRLIG curtain ring with clip and hook,

Ø25 mm, 10-pcs/pack.

Black	102.172.40
White	402.240.98
Silver colour	202.172.25



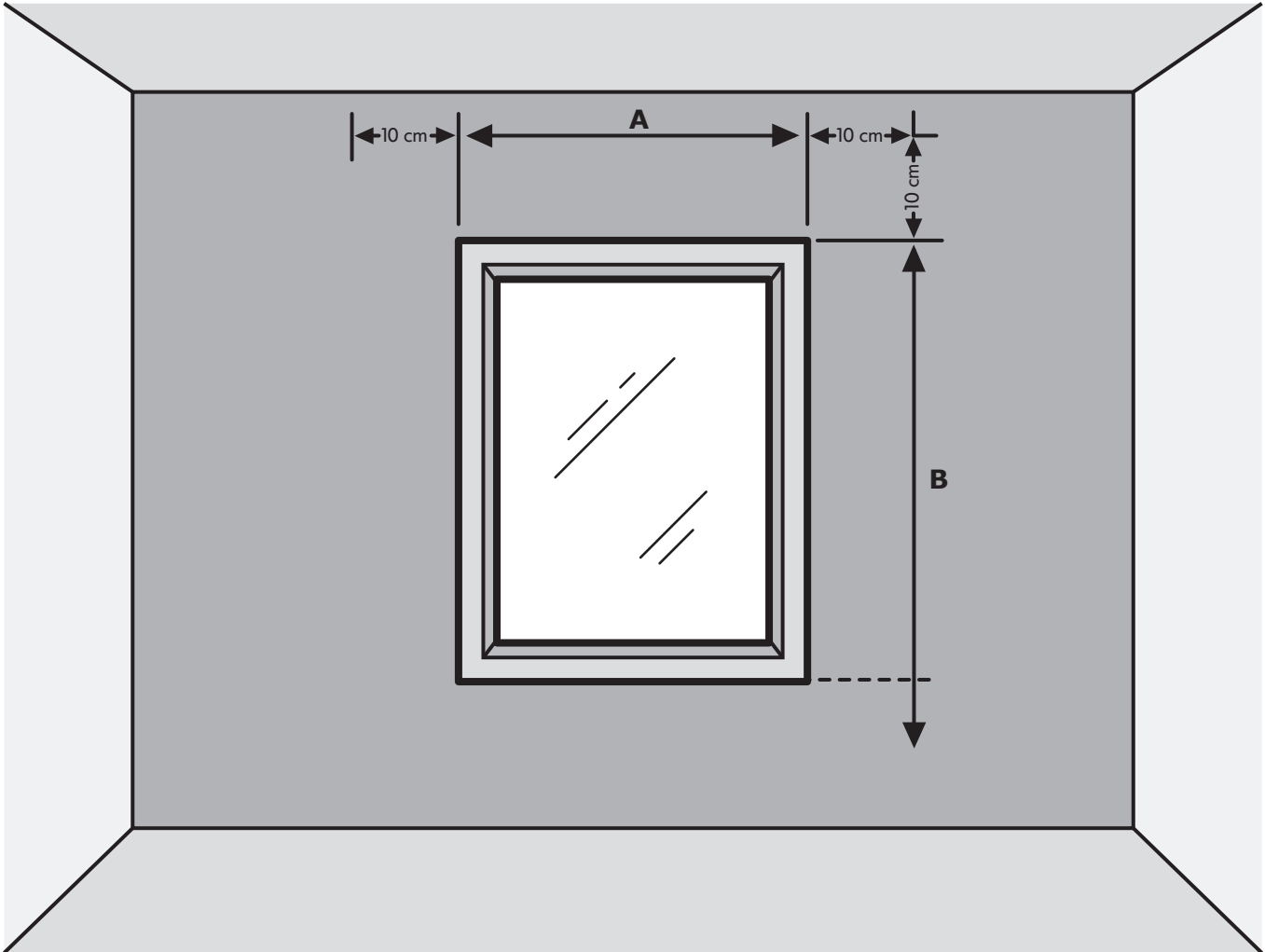
SYRLIG curtain ring with clip and hook,

Ø38 mm, 10-pcs/pack.

Black	802.240.96
White	502.172.38
Silver colour	502.199.54

Measure your window

Knowing the right measurements for your window is important when creating window solutions. The following two measurements will make it easier for you to create the solution that you need.



1. The width. This determines the width of your curtain rod or track rail. Measure the width of the window (**A**). Add at least 10 cm (4") on each side to the measurement (**A**) in order to provide sufficient coverage for privacy, reduce incoming light, and allow you room to pull the curtains off to the sides.

2. The height. This determines the length of your curtains or panel curtains. Measure from the top of the window frame and stop where you want your curtains or panel curtains to end (**B**). As a rule of thumb, add 10 cm (4") to the measurement (**B**) to give space to your curtain rod or track rail.

