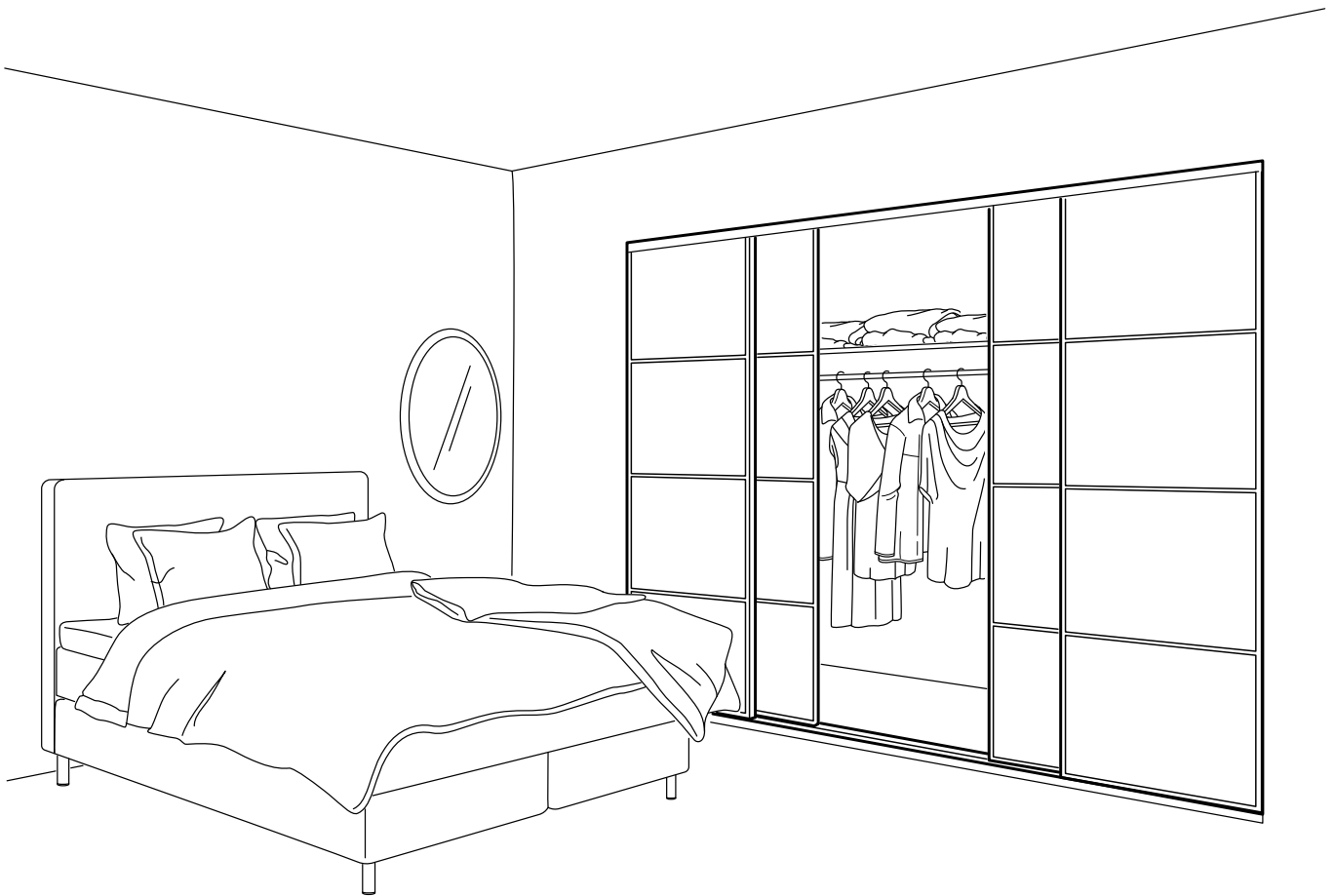


SKYTTA installation guide



The installation guide

Installing your new SKYTТА system correctly

This brochure is your guide to preparing and installing the SKYTТА system by yourself. Inside you'll find clear steps to follow as well as useful tips and ideas. Use this guide along with your IKEA Assembly Instructions to make sure your SKYTТА sliding doors are installed in the right way.

Before you begin

Go through this brochure in order to see what stages are involved in the process and which tools you will need. To make sure you have everything, compare the packages and parts you have at home against the order list and, if applicable, the delivery list. Remember that the SKYTТА system is suitable for a reach-in or walk-in closet or as a room divider.

You can do it yourself, but you don't have to

Although our SKYTТА system is designed to be as simple as possible for you to assemble and install it yourself, it is important to consider all different situations you might encounter based on the height of your ceiling.

In case your ceiling is too low or you are installing the doors in a room with a sloping ceiling, you will need to cut the door frames and panels. This step requires more skill and experience than others and we strongly recommend that you get the help of a professional carpenter with the appropriate tools.

We can offer you services ranging from planning, to click and collect or delivery. For more details see the back page of this guide, the SKYTТА section of www.IKEA.ca or contact your local IKEA store.

Table of contents

Sliding doors for all spaces with SKYTТА	3
Tools	4
Before you start	5
SKYTТА parts.....	7
To think about	9
Height options.....	10
The doors fit perfectly	11
A little space left above the system	12
A lot of space left above the door	13
The doors are too high.....	14
Sloped ceiling	15
Services	16

Sliding doors for all spaces with SKYTТА

All homes, big and small, have their challenges. Maybe there's a lack of storage, or needs based on everyday living in your home. With SKYTТА sliding door system, you can use your square metres smarter and create a home office in the living room or a spacious walk-in closet in the bedroom as if by magic.

More room, same space

Save space, create new space or hide space with SKYTТА sliding doors. The door frames and rails come in three different colours and combine with panels from the PAX range to create a personal solution. Made to run between

the ceiling and floor and from wall to wall, so no wardrobe frames are needed, and suitable with any of our storage systems that suit your space. Or use them as a room divider. Choose a sleek, minimalistic door or an industrial looking glass door to set the style in your room.

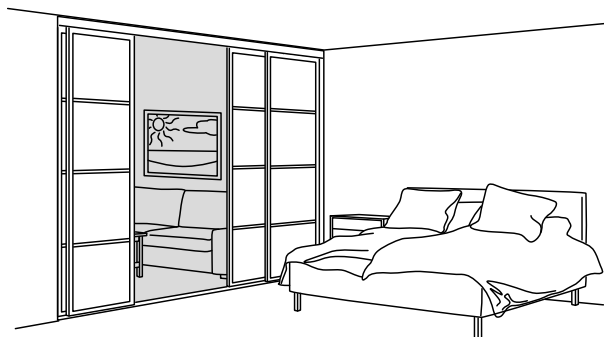
Reach-in closet



Walk-in closet



Room divider



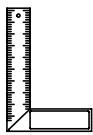
Plan on paper or use the planner tool

Planning your SKYTТА sliding doors can be a bit tricky, and it's important that all the measurements are correct and aligned. It's perfectly fine to plan on paper if that's what you prefer, but there's also a planner tool available at www.IKEA.ca to help you out!

Tools

Here is a summary of the basic tools you'll need. In addition you'll find what tools to use for each product in their respective Assembly Instructions.

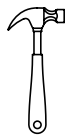
Basic tools



Try square



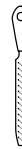
Screwdriver



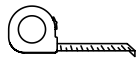
Hammer



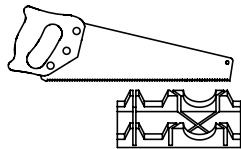
Pencil



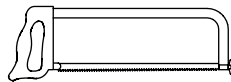
File



Tape measure



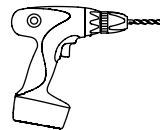
Saw and Miter box



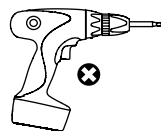
Hacksaw



Step ladder



Electric drill



Electric screwdriver



Level



Protective gloves and goggles

Before you start

In the buying process you have decided the number of doors, door widths and door tracks that will suit for your width and the storage behind the sliding doors. You need to have this layout with you during the assembly of the system as you need to know how to place the doors.

Make sure you have the space to cut the rails and assemble the doors.

Check the room to see if you need to make any adjustments, e.g. floor, ceiling etc.

Take into consideration electrical outlets, cables, wires etc. and make sure they do not interfere with the SKYTТА system.

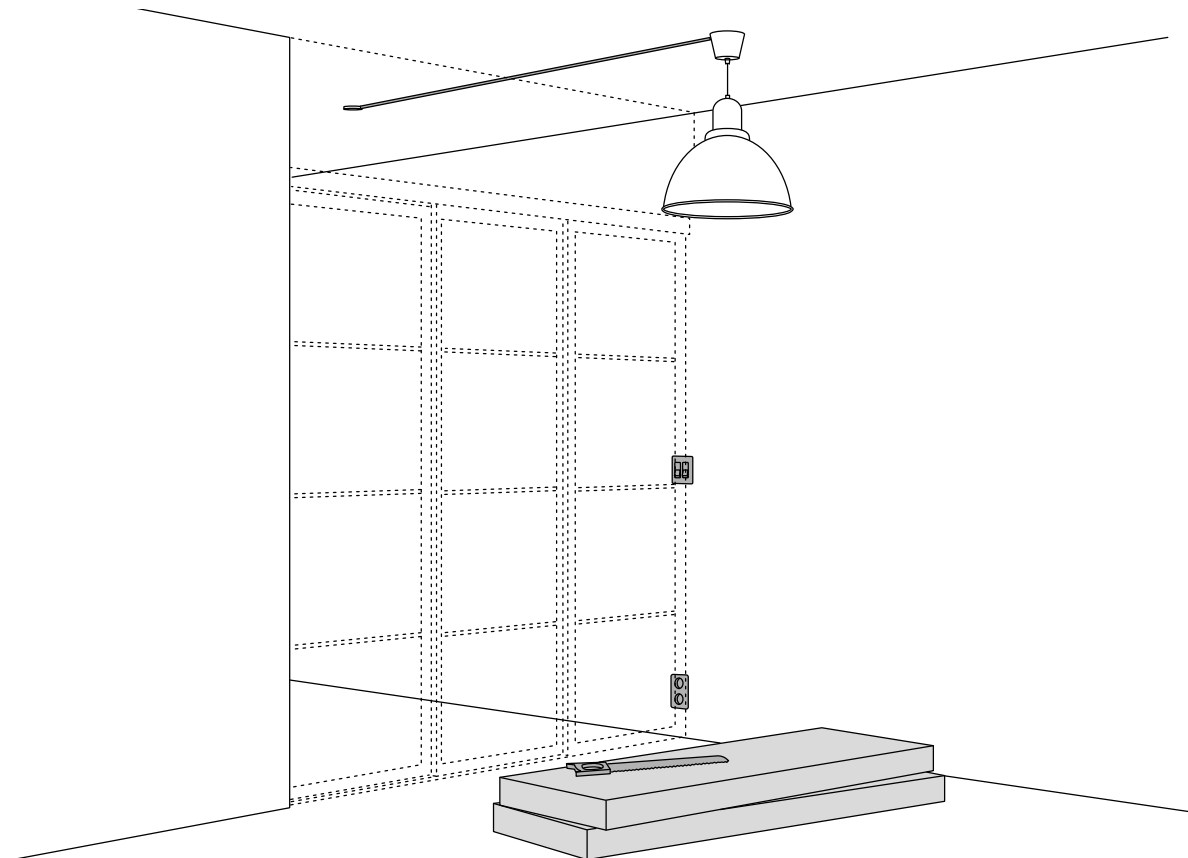
Check the packages and make sure that everything you need is present.

You will find main Assembly Instructions in the SKYTТА basic fittings package.

Two people are recommended to work with SKYTТА system.

If any of the above has been missed and you don't have a layout or have not considered using the stop bar or storage behind the sliding doors, you need to do this before continuing. Use the SKYTТА planning tool online.

SKYTТА has been developed to work perfectly with other parts of IKEA storage offerings. If an existing solution is planned to be used outside of the IKEA range, then please check all measurements carefully to ensure compatibility.

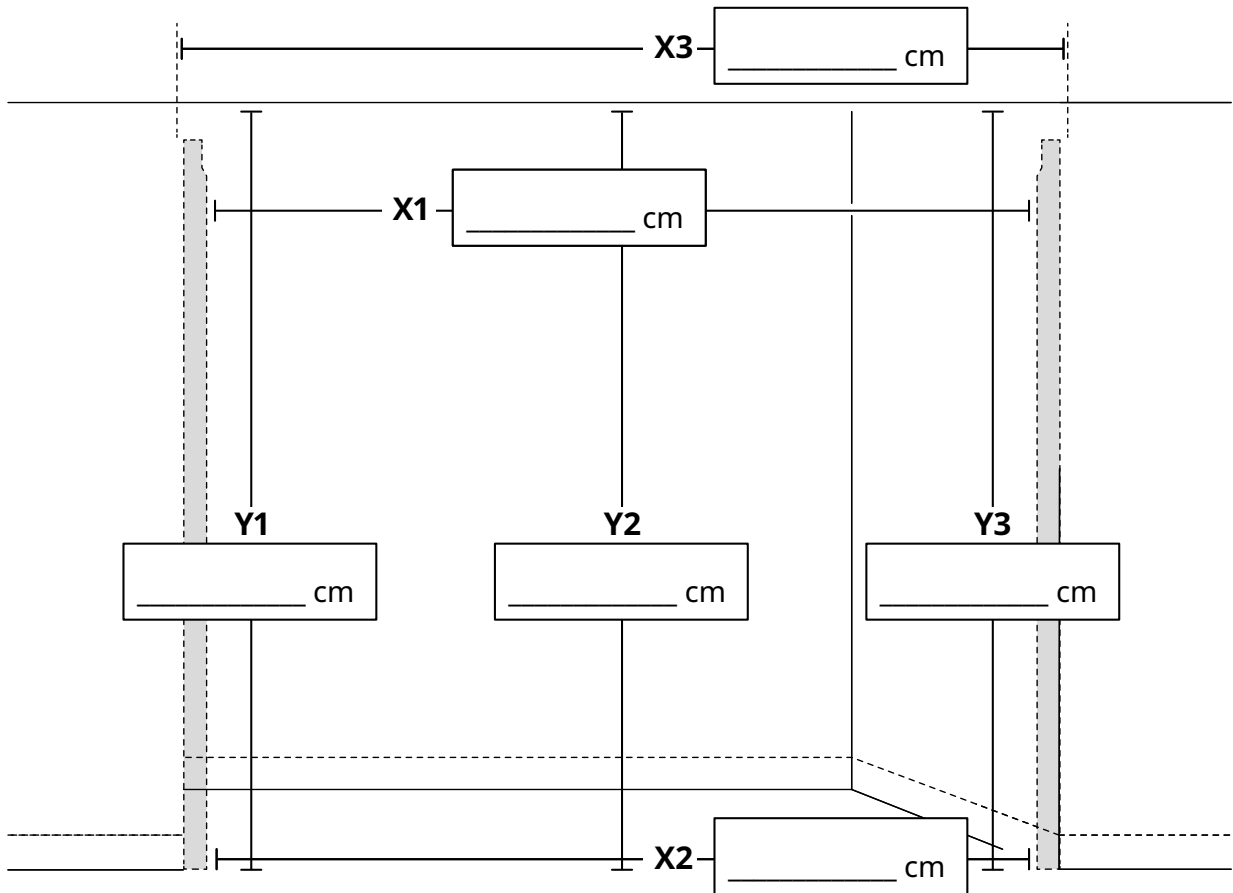
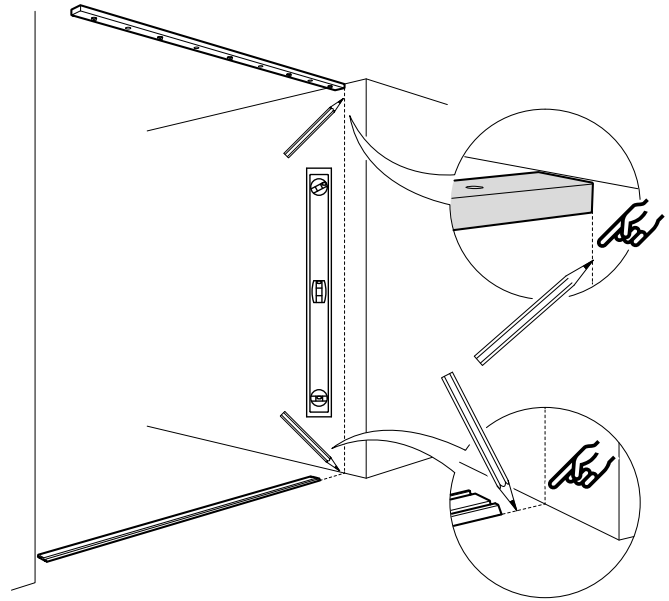


Marking key measurements

Mark with a line all around the opening where you are going to place the system. Mark the front of the system as in the illustration to the right. For accuracy, we recommend using a crosshair laser level for marking these measurements.

Note! From the front of the storage solution to the front of the track/rails, you need 10 cm (3 $\frac{7}{8}$ ") for a 2-track solution and 14 cm (5 $\frac{1}{2}$ ") for a 3-track solution.

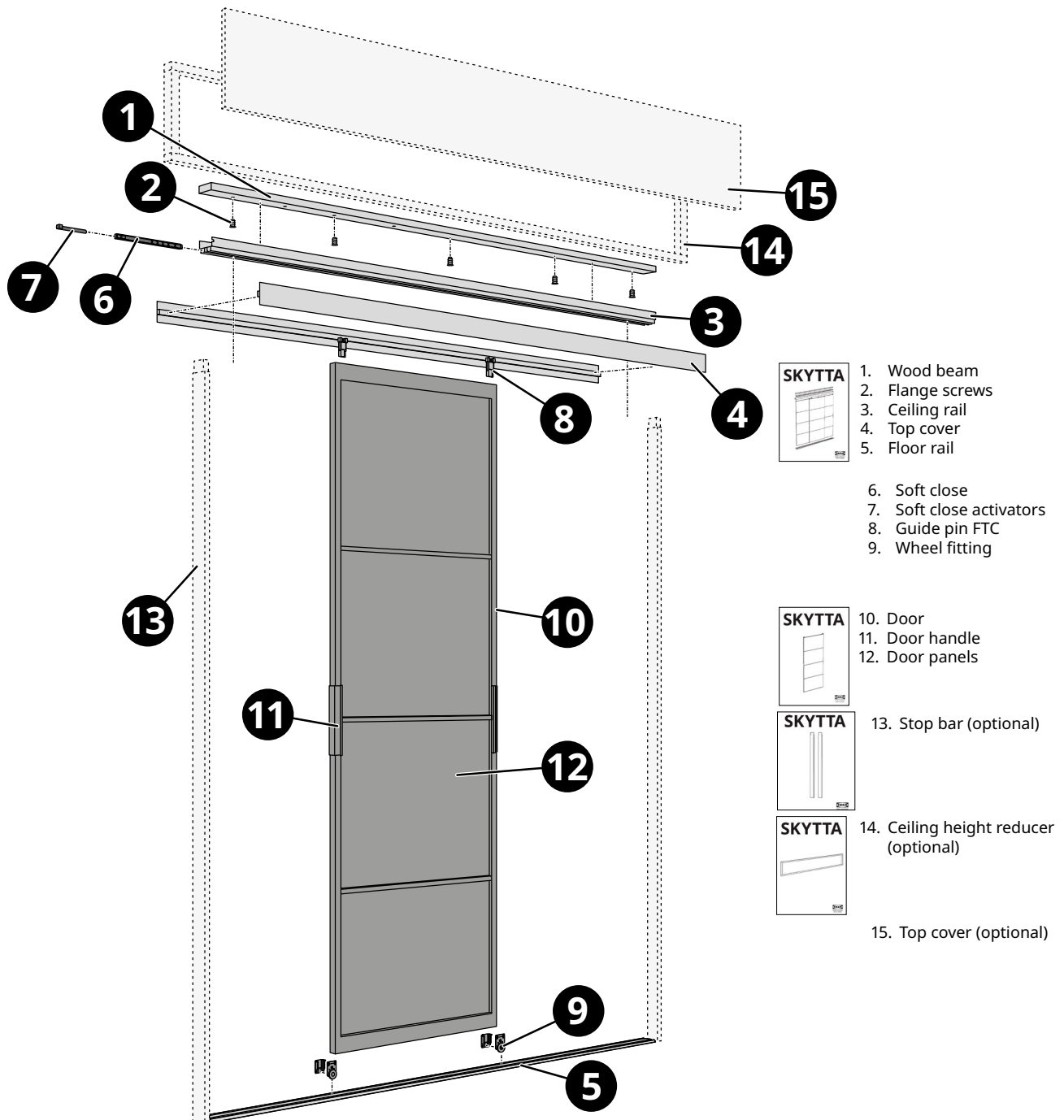
Check if the floor and/or walls are uneven and need to be adjusted. Measure the width (X1, X2, X3) after adjustment. X1 and X3 will be the same if the stop bar isn't used. Measure the height (Y1, Y2, Y3) after adjustment.



SKYTТА parts

Since SKYTТА packages are picked together for each system combination, you will have some different packages. Below is an overview of the different packages and parts. Make sure you have everything you need before starting the assembly.

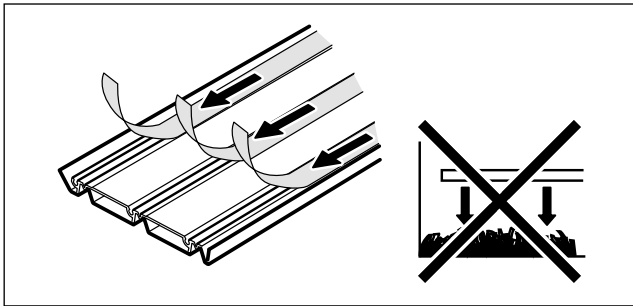
The main Assembly Instructions for the system are found in the hardware package for the end doors. These main Assembly Instructions will refer to other Assembly Instructions when it is time for that step.



To think about

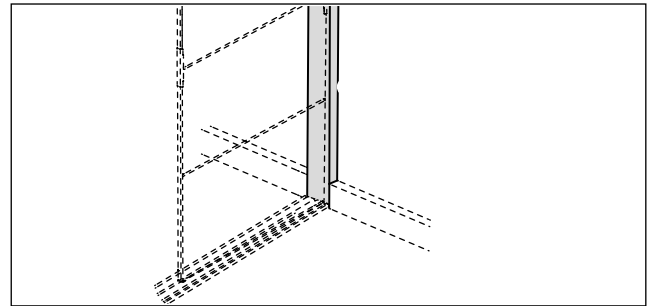
Here are some general tips to have in mind before you start assembling SKYTТА sliding doors. These tips are for all the solutions, and for more specific tips depending on

the solution that is applicable to your room, please see the following pages and the Assembly Instructions.



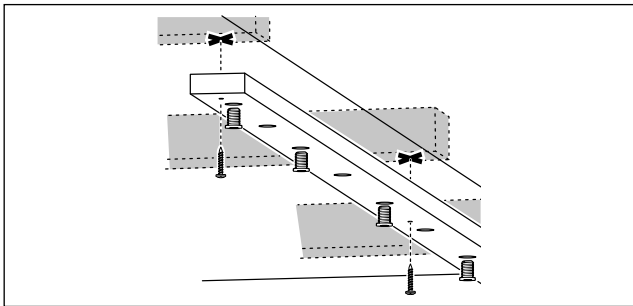
Floor rail

The floor rail is provided with double sided tape which works on solid flooring. Avoid using the floor rail on rugs, as it will not stay fixed properly. The system can be adjusted if the floor is uneven (0-2 mm/1/8" per 1 m/39%). The floor rail has a front side so make sure it is positioned correctly. If you are connecting two floor rails, make sure the cut end is facing the wall.



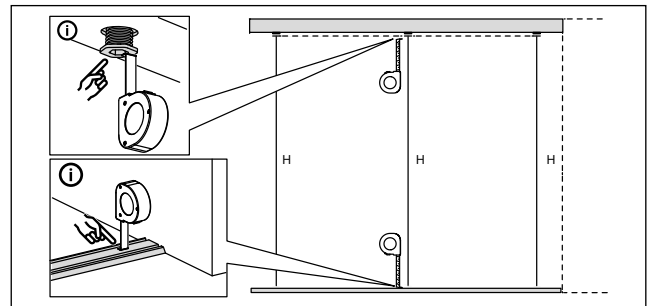
Stop bar

The wall or the stop bar will be the closing surface for the sliding door. In both alternatives it is important to have a straight and levelled closing surface. The system can be adjusted if the wall is uneven (0-3 mm/1/8" per 1 m/39%).



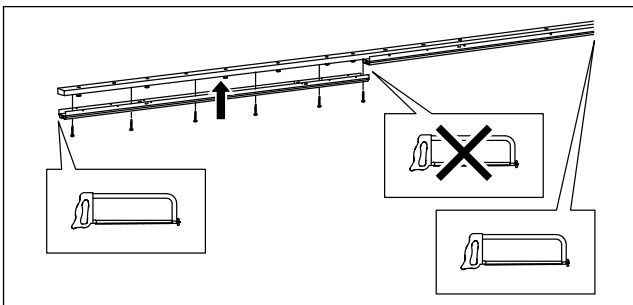
Wood beam

Since your ceiling will support the weight of your sliding door, start by finding safe fixing points for the wood beam. If you are connecting two wood beams, make sure that the front sides are in line with each other. A flange screw is pre-mounted in every second hole. In some cases when you have cut the desired length, you need to move one flange screw so there is one on each side of the aluminum rail joint. The wood beam has a front side on the 3-track rail but is the same front and back on the 2-track. You will need to purchase the proper screws for this installation, as these are not included by IKEA.



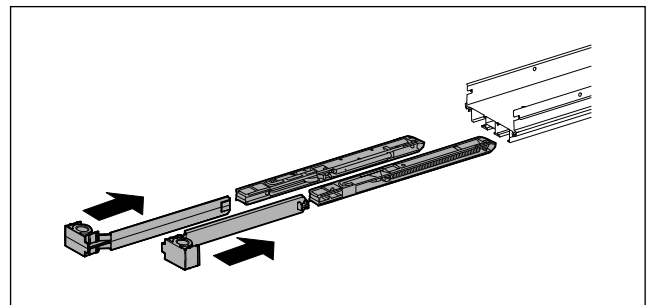
Adjust flange screw

In the Assemble Instructions you will find the H measurement between the top of the floor rail to the flange on the flange screw. We recommend using the top cover as a ruler for the fine tuning to align them.



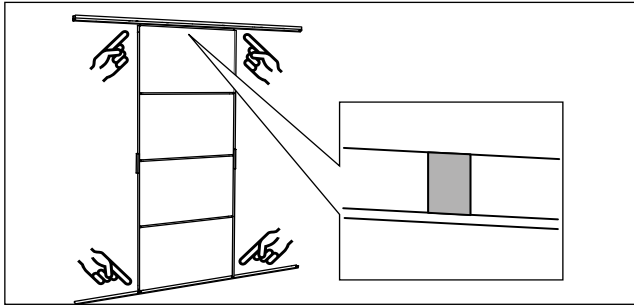
Ceiling rail

The ceiling rail can stay temporarily in place with screws, but we recommend that you continue to hold it during installation. Screws should be mounted from below and from the front, spaced evenly in at least every second hole. The ceiling rail has a frontside on the 3-track rail but is the same front and back on the 2-track. If you are connecting two ceiling rails, make sure the cut end is towards the wall. The rails need to be aligned so be careful when tightening the screws close to the joint(s) of the rail.



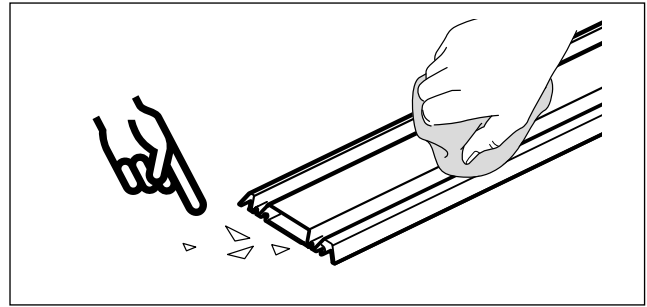
Soft close

The soft close and soft-closing activators must be mounted into the rail before the last ceiling rail is mounted. You need to place the parts according to your layout from the planning tool. The doors placed closest to the wall have two soft-closing mechanisms and end activators. Doors in the middle have one soft closing mechanism and one end activator.



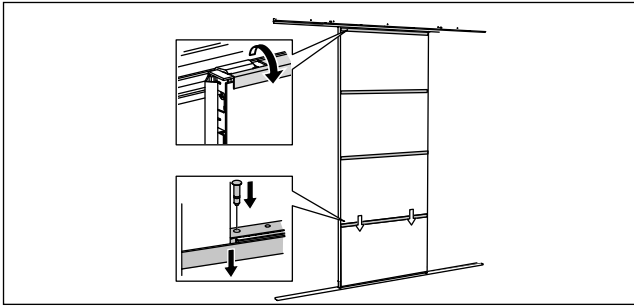
Door assembly

The door has two symmetrical side rails, bottom rail and top rail. The wheel fitting is placed in the bottom and the guide fitting in the top. Click in the horizontal bars on the side rails and spread them out so they match the height just above the door filler panels. The guide pins with wings should be placed to match the activator between doors.



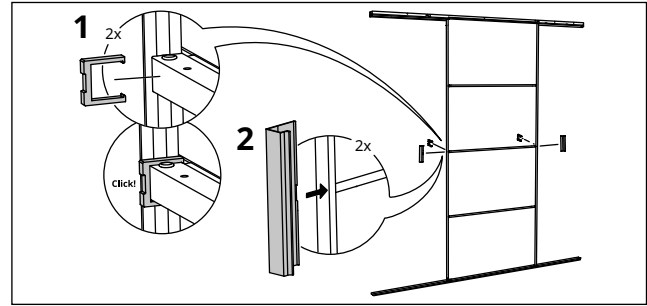
Mount door/clean floor rail

Clean the floor rail before mounting as dust can get stuck on the wheels. This should be done regularly to maintain a nice sliding of the doors. Follow the layout with the activator/soft closing. The guide pins with wings should be connected to the activator/soft closing between doors.



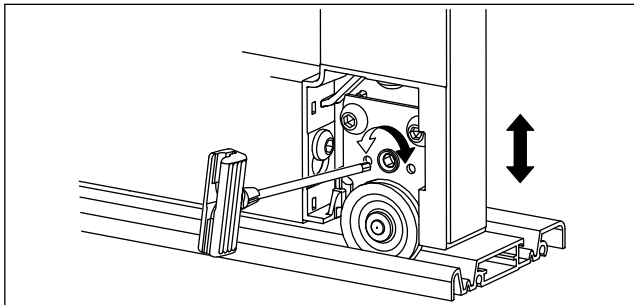
Door fillers

The door filler panels are centred between the door side rails. Make sure that the panel is inside the gasket flange. Never leave the panel without mounting the horizontal bar or the top lid closed for the top panel. The plastic pin in the bar clicks in to secure that it can't be released.



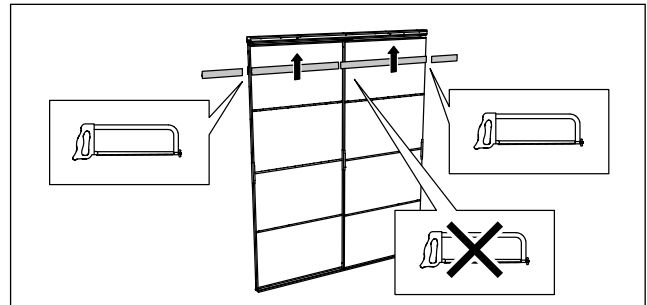
Door handle

The door handle clicks into the door side rail. To get it into the correct position, the cut out on the handle should match the plastic clip mounted on the backside of the middle bar. This prevents the handle from moving vertically and makes all handles match in height.



Adjust door/activate soft close

By adjusting the wheel fitting's height, you can adjust the gap between the doors and the door/wall. Release the two screws and turn the adjustment between the screws. You have ± 2 mm ($\frac{1}{8}$ ") on each wheel. The soft closing is activated by moving the door all the way to the wall. You will hear a click, and after that the soft closing should work.



Top cover

The top cover is the same front and back and is clicked on the ceiling rail on both sides. If you are connecting two top rails, make sure the cut end is towards the wall.

Height options

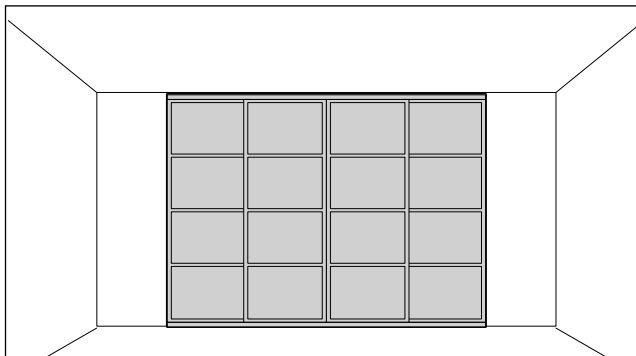
Check the height from floor to ceiling

During the buying process you decided how the system should fit your ceiling height. You will have encountered one of these scenarios when planning your SKYTТА solution.

- One of the two system heights has created a perfect fit in your space.
- There is a small space left above the system.
- The ceiling height reducer has been planned in, as there is a lot of space left above the system.

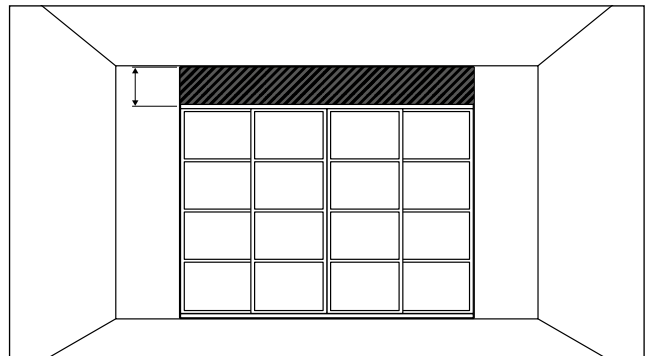
- The height of the ceiling/opening is lower than the door, so the door(s) will need to be cut to fit.

If this detail has been missed and you don't have a plan for how to adjust your plan to achieve the correct system height, you need to do this before continuing. Use the SKYTТА planning tool.



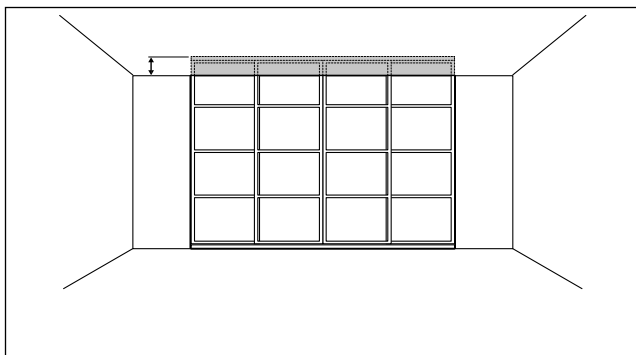
No adjustments needed to your space

If your doors fit your space perfectly, you can continue to page 11 to get some general tips to have in mind before assembly starts.



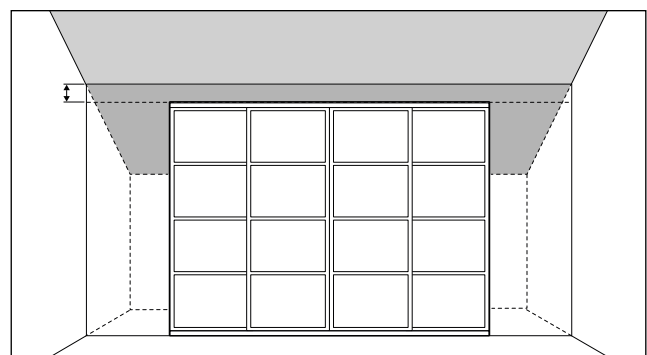
Reduce ceiling height

If your ceiling height is too high and you need to fill in this space, see page 8-9 for general tips. Then continue to page 10-11, to find the solution that's suitable for you, and follow the Assembly Instruction.



Reduce door height

If your doors are too tall for your space, you can reduce their height. First see general tips on page 8-9, and then continue to page 12 and follow the Assembly Instructions.



Sloping ceiling solution

If you want to install SKYTТА sliding doors onto a sloped ceiling, you need to leave extra wall space to create a 90 degree angle with the wall. See detailed information on page 15 and follow the Assembly Instructions.

The doors fit perfectly

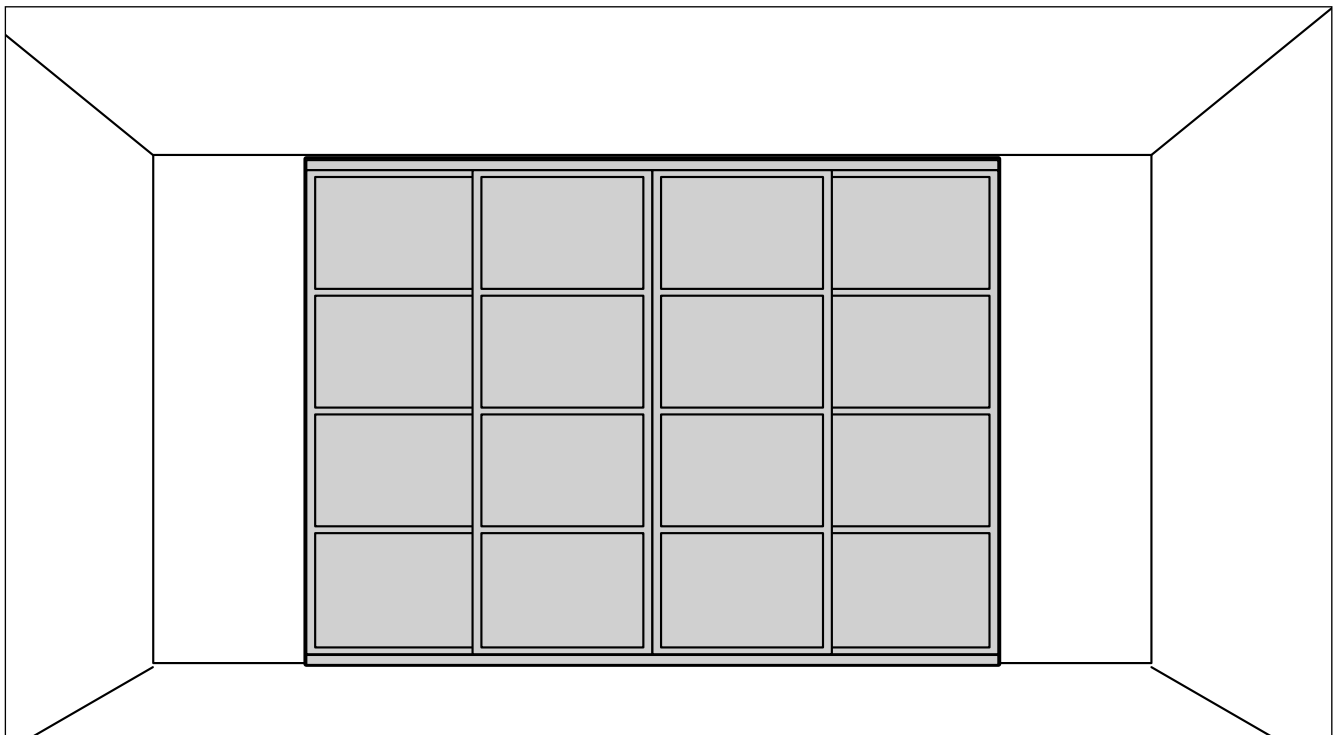
If the SKYTТА doors fit your space perfectly, you assemble them normally. In this illustration, you can see what the system would look like.

You will find the main Assembly Instructions in the basic hardware package. These main instructions will refer to the other Assembly Instructions depending on the options you have chosen. We recommend two people for the assembly.

This solution is suitable when the distance between the floor and ceiling is:

203.9–205.1 cm (80¼–80¾")	239.1–240.3 cm (94⅛–94⅝")
---------------------------	---------------------------

Normal assembly with doors and rails.



A little space left above the system - reduce ceiling height

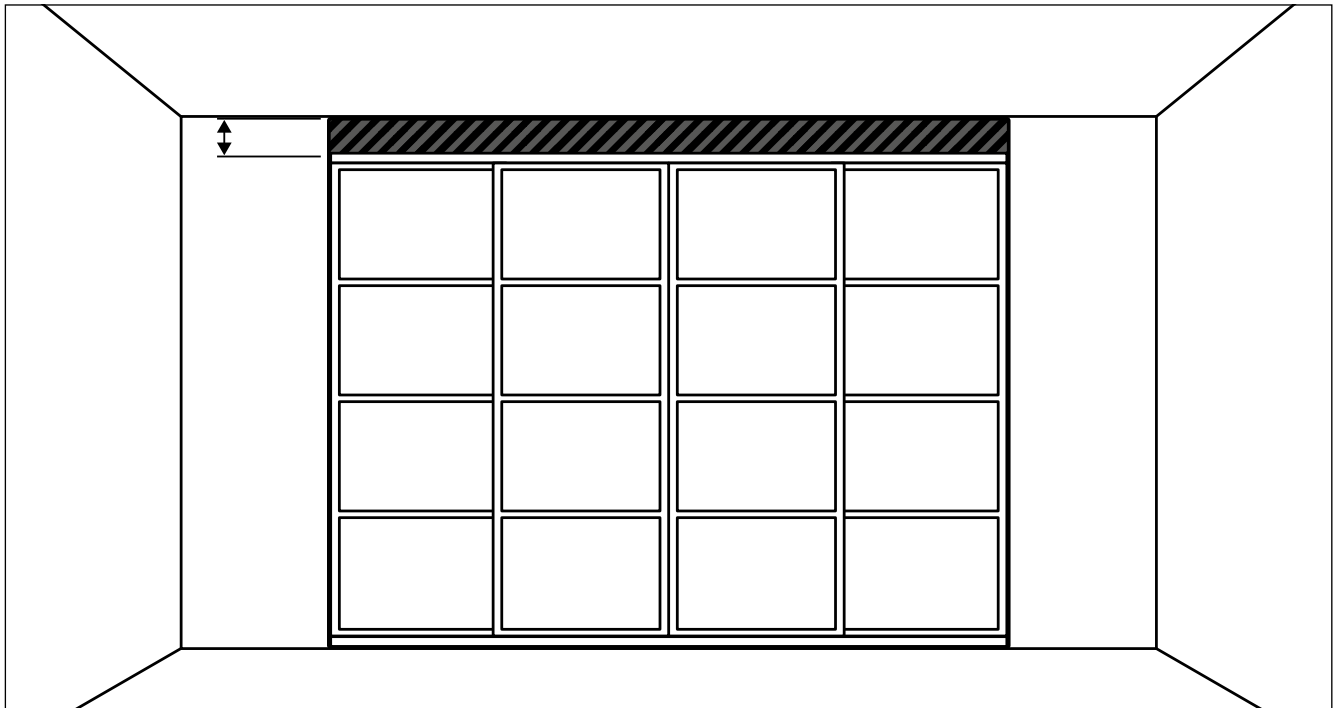
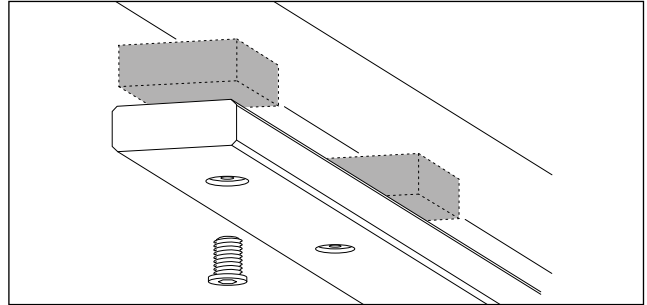
In case there is a little space left between the doors and the ceiling, you need to compensate for the difference between the ceiling height and the doors with filler pieces. These

filler pieces are not sold by IKEA. In this illustration, you can see what the system would look like.

This solution is suitable when the distance between floor and ceiling is:

205.2-209.5 cm (80¾-82½") (low door)	240.4-244.7 cm (94¾-96¾") (high door)
---	--

Compensate for the difference between the ceiling height and the doors, with filler pieces placed between the wood beam and the ceiling.
The filler pieces are not sold by IKEA.



A lot of space left above the door – reduce ceiling height

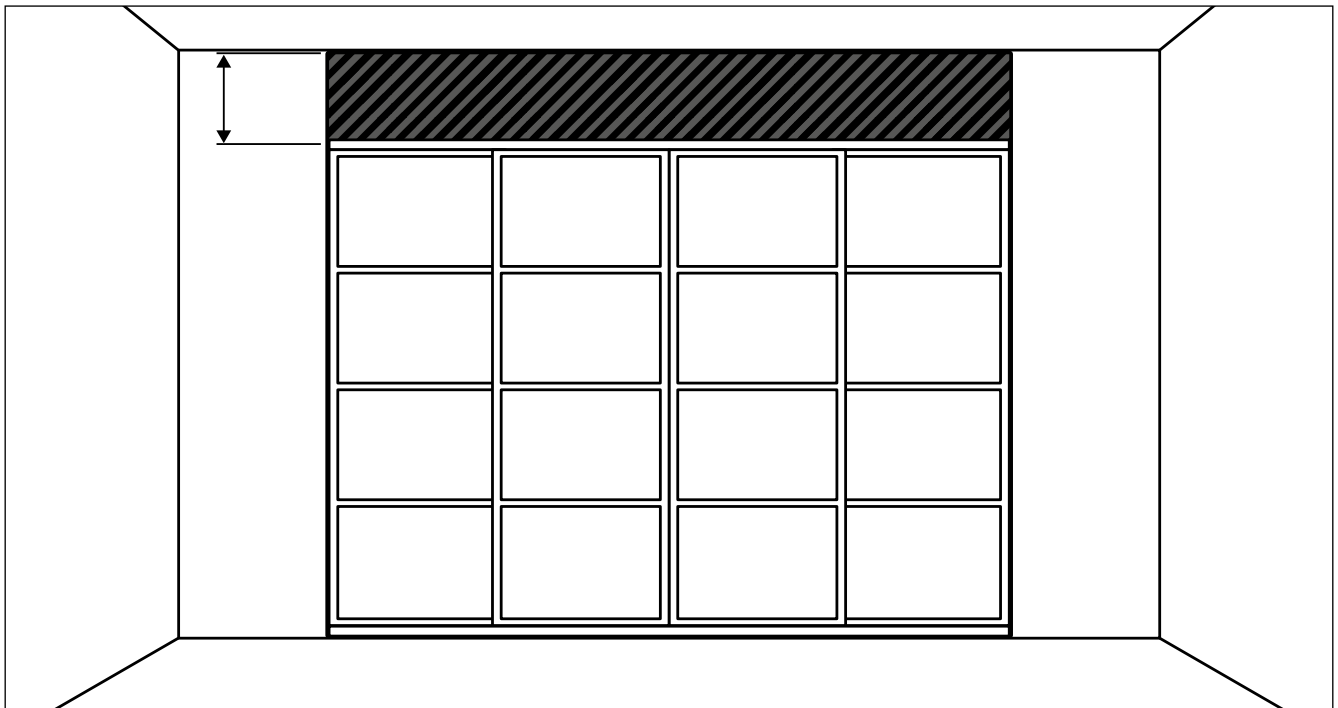
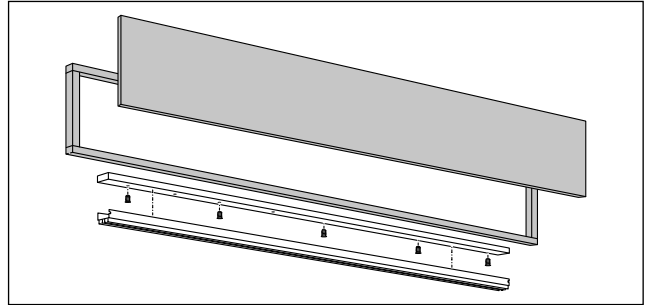
In case the space left between the doors and the ceiling is bigger, you need to compensate for this height difference by using the SKYTТА ceiling height reducer and cover panels. You can also ask for help from a professional

carpenter for a customized solution. In this illustration, you can see what the system would look like in this situation.

This solution is suitable when the distance between floor and ceiling is:

207.5-241.0 cm (81¼-94⅞")	242.7-276.2 cm (95½-108¾")
---------------------------	----------------------------

Compensate for a larger difference in ceiling height by using the SKYTТА ceiling height reducer and cover panels, or contact a professional for a customized solution.



The doors are too high – reduce door height

In case the SKYTТА doors are too high, you need to cut the door frame and the door filler panel(s). Please be aware that this is **not** possible for glass or mirror door panels. Check in the planning tool for other panels that cannot be cut (ie., some textile panels). You can still use panels that are not suitable for cutting if you combine them with panels that can be cut (ie., the non-cuttable panels would need to be placed in the middle of the door frame).

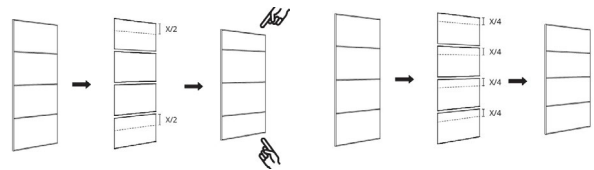
For this situation, we strongly recommend you use the services of a professional carpenter with the appropriate tools. In this illustration, you can see how the system would look in this situation.

This solution is suitable when the distance between floor and ceiling is:

150–203.8 cm (59–80¼")	150–239 cm (59–94⅛")
------------------------	----------------------

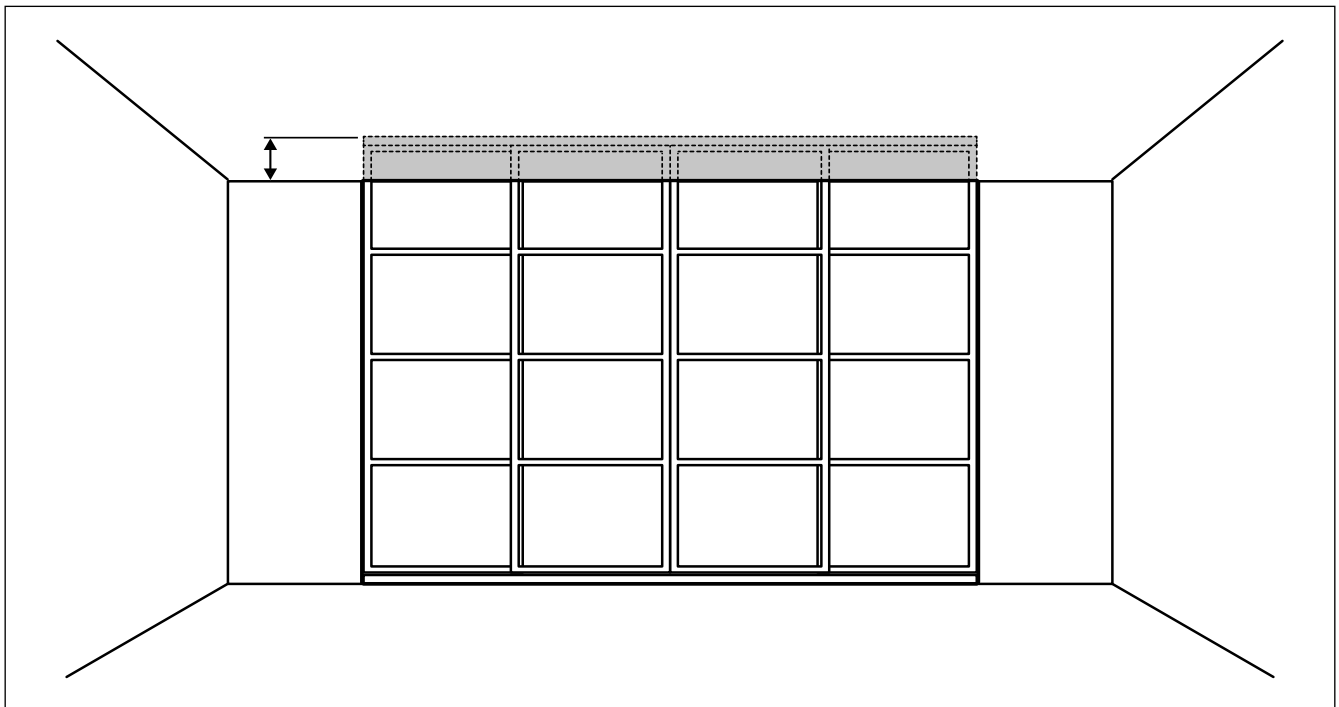
It's possible to cut the door frame and door panels to reduce the height. This can be done using professional tools, therefore we recommend that this is done by a professional carpenter. Please note that this option is not applicable for glass or mirror glass panels, as the glass is tempered and will shatter into tiny pieces. Check in the planning tool regarding other panels that cannot be cut (ie., some textile panels).

Examples of how to cut door frame and panel



This step should be performed by a professional carpenter with the appropriate tools.

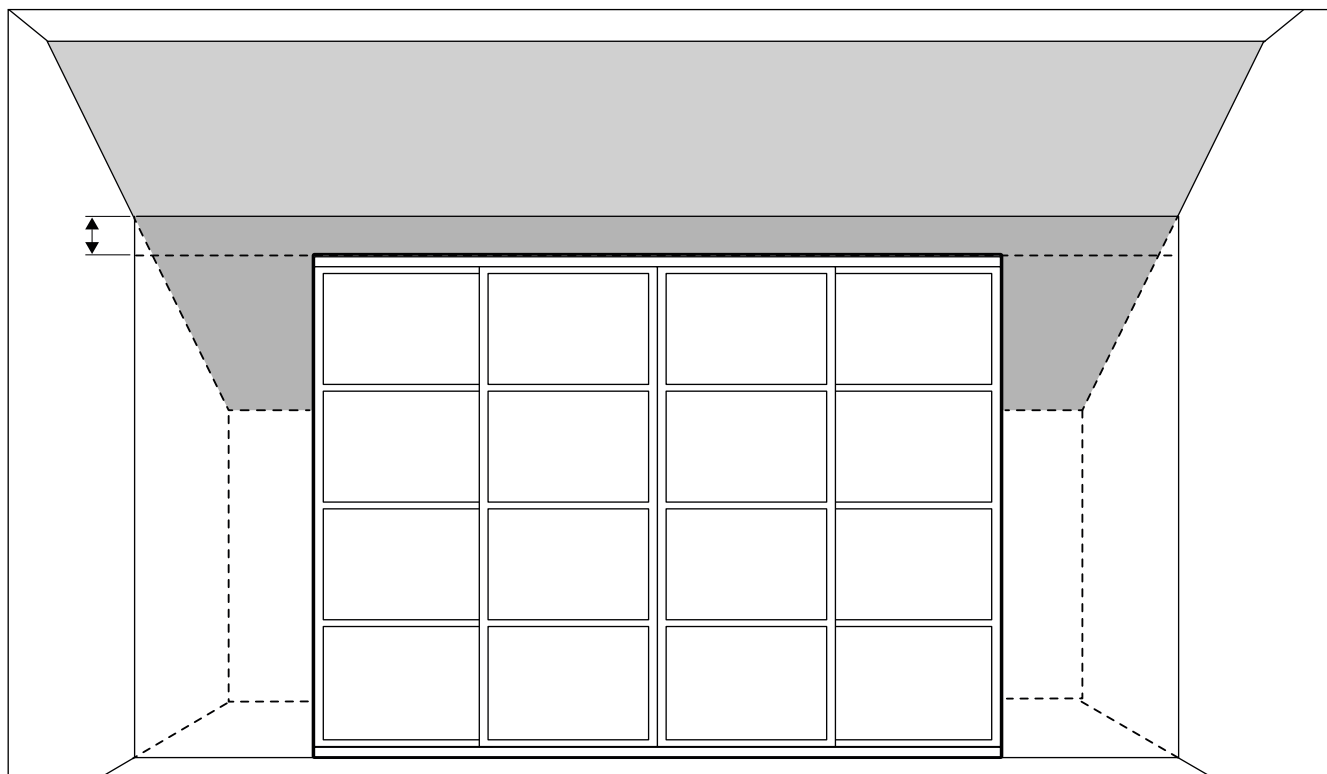
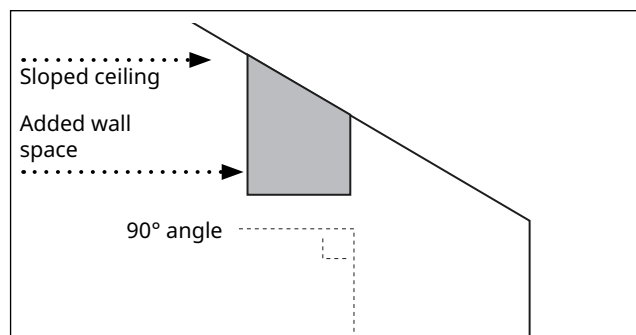
NOTE! The Assembly Instructions for this step are only available online.



Sloped ceiling solution

The SKYTТА ceiling rail must be mounted onto a flat surface which is parallel with the floor. It cannot be mounted directly onto a sloped ceiling.

If you want to install SKYTТА sliding doors onto a sloped ceiling, you need to add extra wall space which is wider than the width of the rail, and which creates a 90 degree angle with the wall.



Services

IKEA products are designed to be taken home and assembled yourself. We can offer services ranging from planning, to click and collect or delivery. Contact your local store or visit the IKEA website for details. www.IKEA.ca



Delivery

Most of our products are designed and packaged so that you can take them home yourself, but if you prefer, we can deliver your purchases directly to your home or office. Prices are based on the distance to your address from the store.



Click and collect

With IKEA Click and collect, you're in control. Place an order online when it's convenient and choose when and where to collect it. You'll still make a trip, but we'll gather your items so that you have more time and energy for assembling instead.

