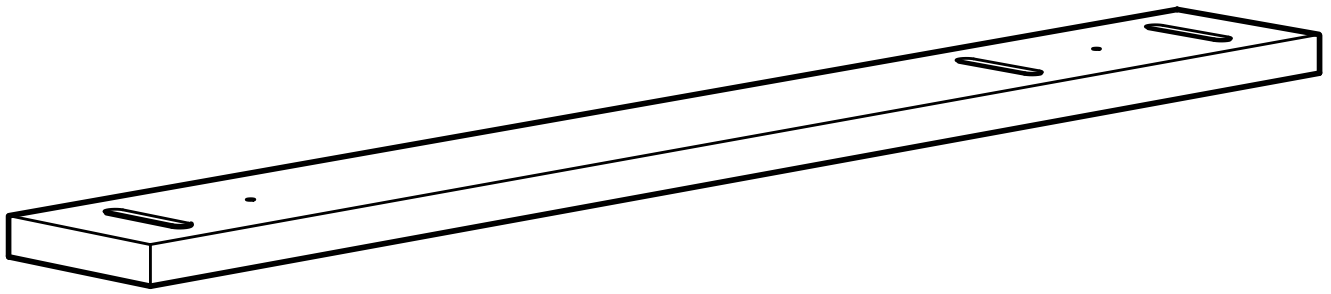
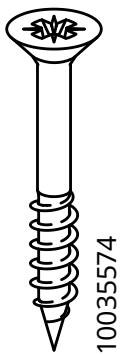
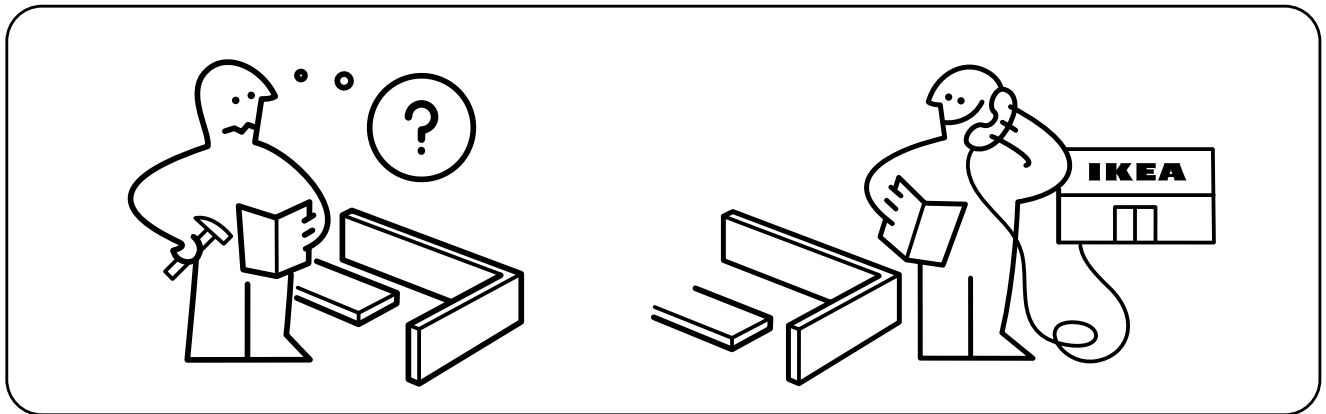
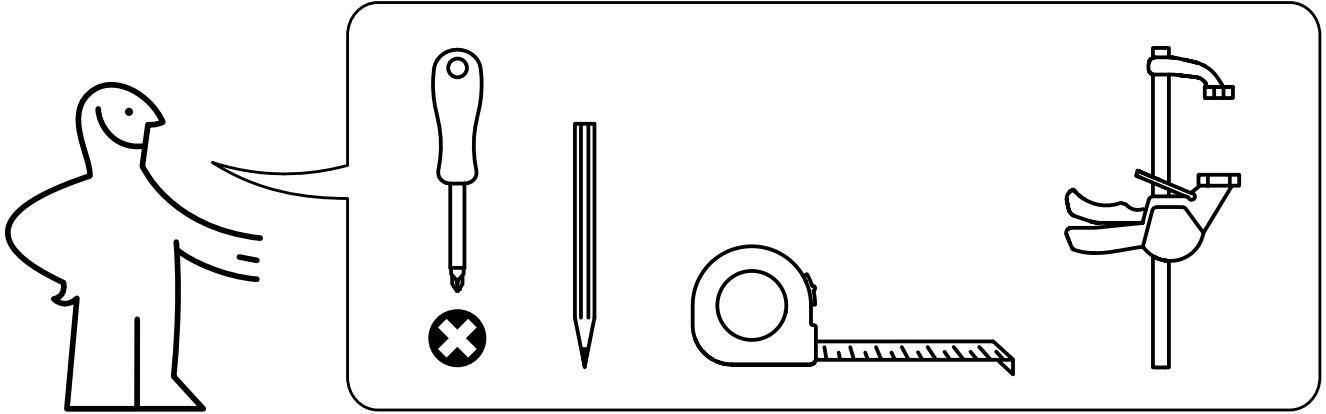


# NYTTIG



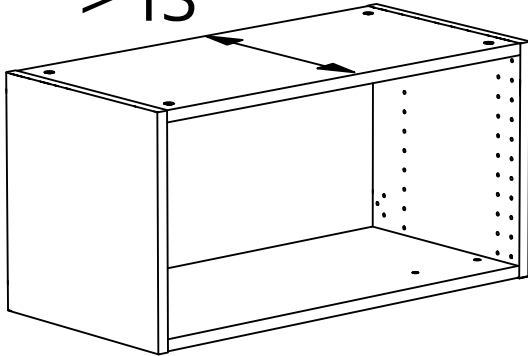
Design and Quality  
IKEA of Sweden



2x

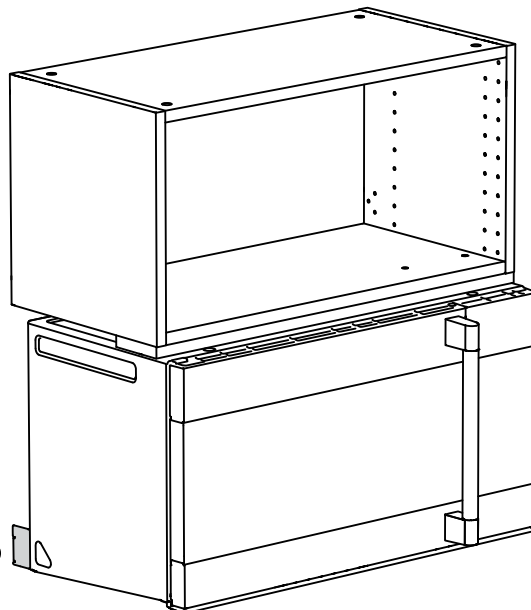
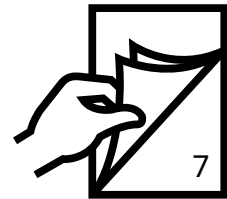
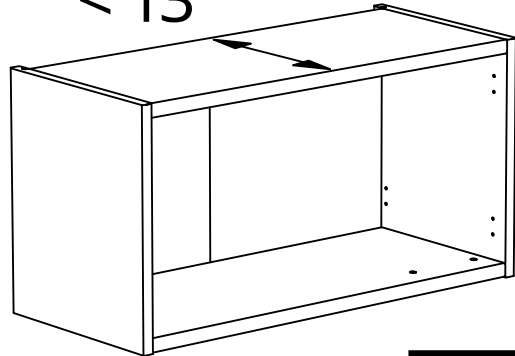
# SEKTION

> 13 "

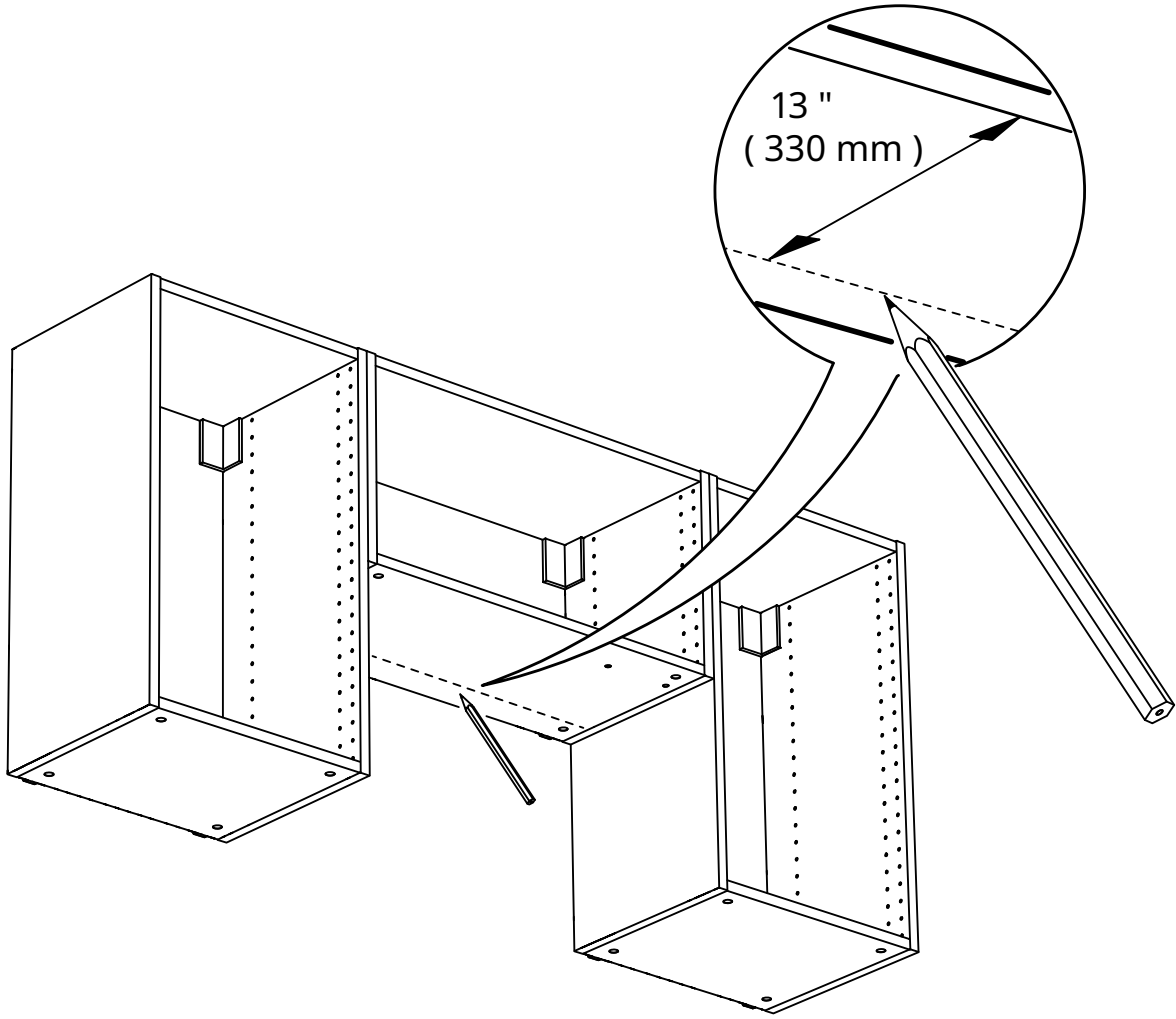


# KNOXHULT ENHET

< 13 "



# 1



**LAGAN MEDELNIVÅ UPPSEENDE**

**TOP CABINET TEMPLATE**

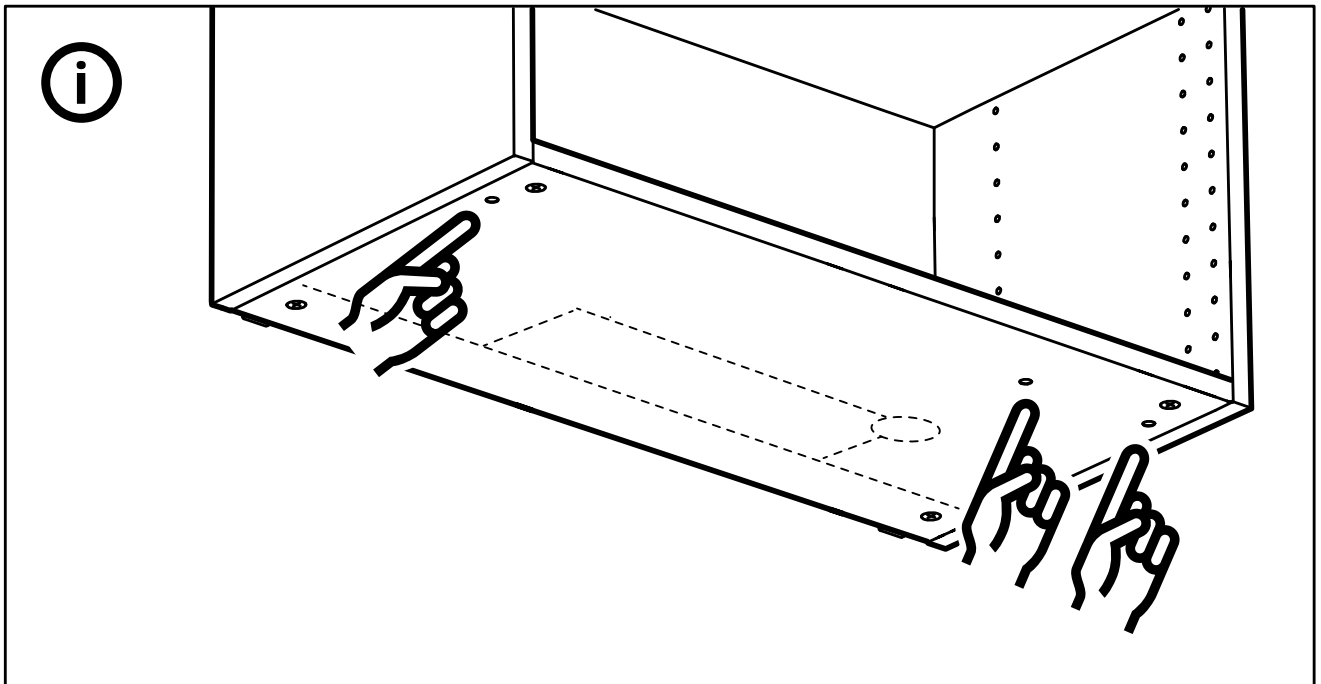
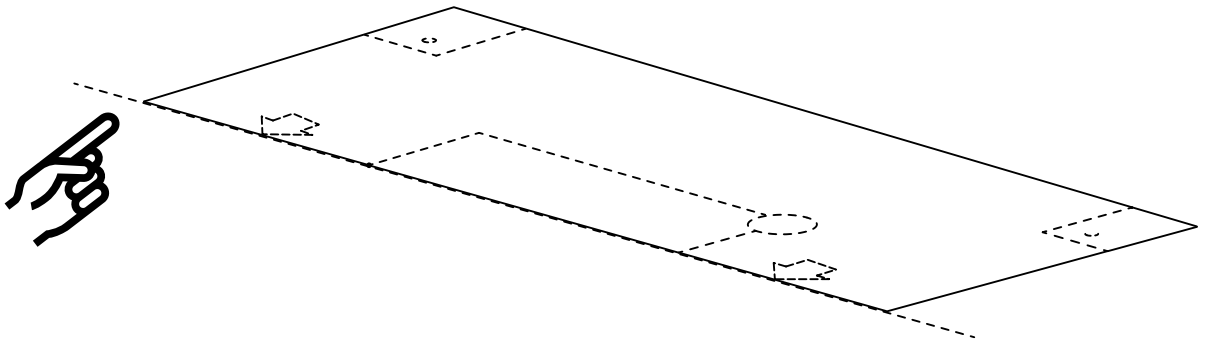
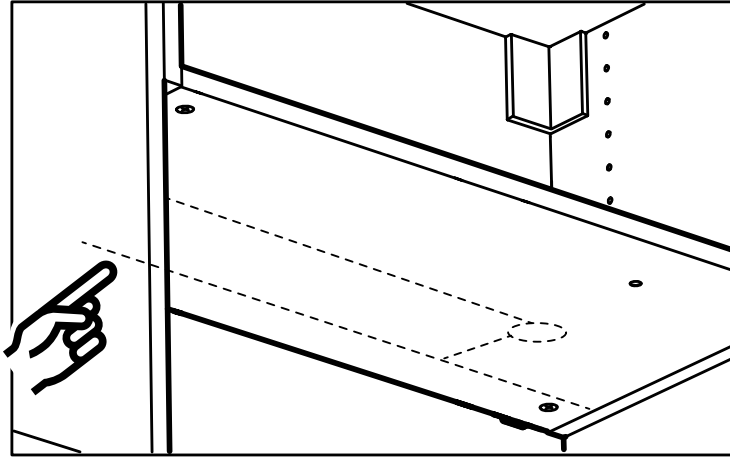
**E.CUT OUT FOR VERTICAL (OUTSIDE) EXHAUST ONLY**

**CUT OUT THROUGH CABINET BOTTOM TO CONNECT EXHAUST**

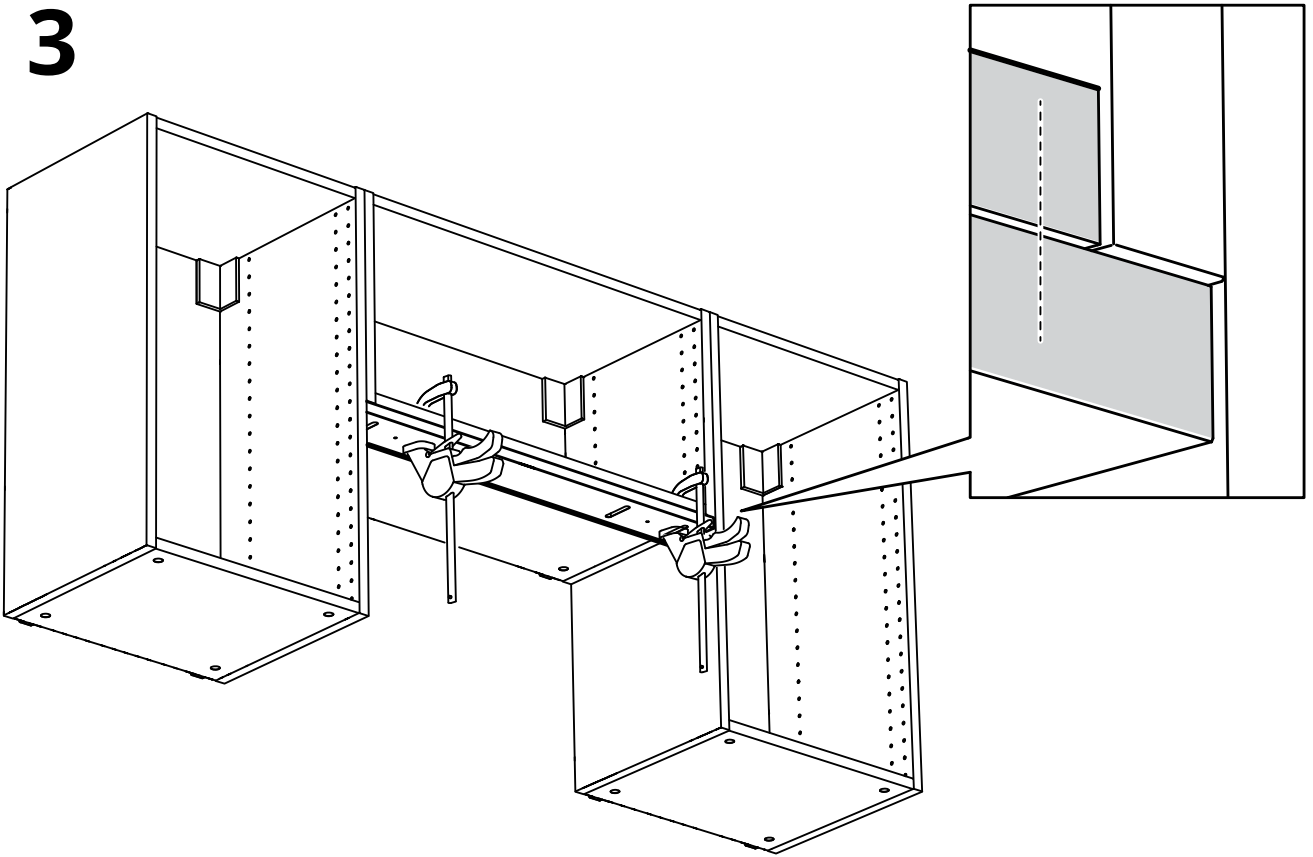
DI POWER CORD

WALL

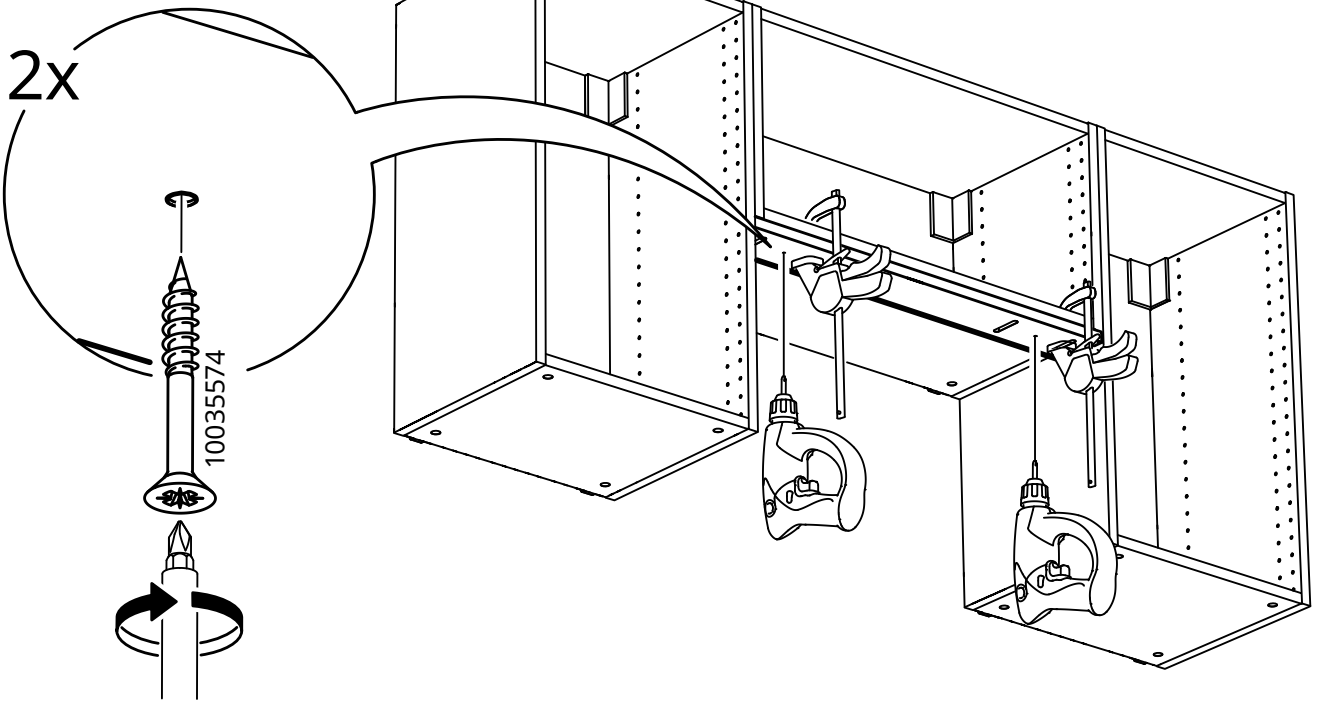
2



**3**



**4**



# KNOXHULT ENHET

< 13 "

