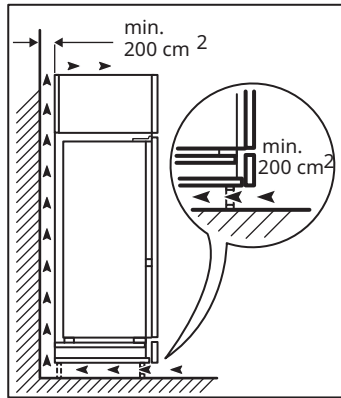




5
ENGLISH

العربية
4



www.ikea.com



Table of contents

Safety information	4	Hints and tips	12
Safety instructions	6	Cleaning and maintenance	13
Product description	8	Troubleshooting	14
First use	8	Technical information	15
Operation	9	Environmental concerns	16
Daily use	11	IKEA Guarantee	16

Safety information

Before the installation and use of the appliance, carefully read the supplied instructions. The manufacturer is not responsible if an incorrect installation or use causes injuries or damages. Always keep the instructions with the appliance for future reference.

Children and vulnerable people safety

- This appliance is not intended for use by persons (including children) with reduced physical, sensory or mental capabilities, or lack of experience and knowledge, unless they have been given supervision or instruction concerning use of the appliance by a person responsible for their safety.
- Children should be supervised to ensure that they do not play with the appliance.
- Keep all packaging away from children and dispose of it appropriately.

General Safety

- This appliance is intended to be used in household and similar applications such as:
 - staff kitchen areas in shops, offices and other working environments;
 - farm houses and by clients in hotels, motels and other residential type environments;
 - bed and breakfast type environments;
 - catering and similar non-retail applications.

⚠ WARNING! Risk of fire/Flammable materials.



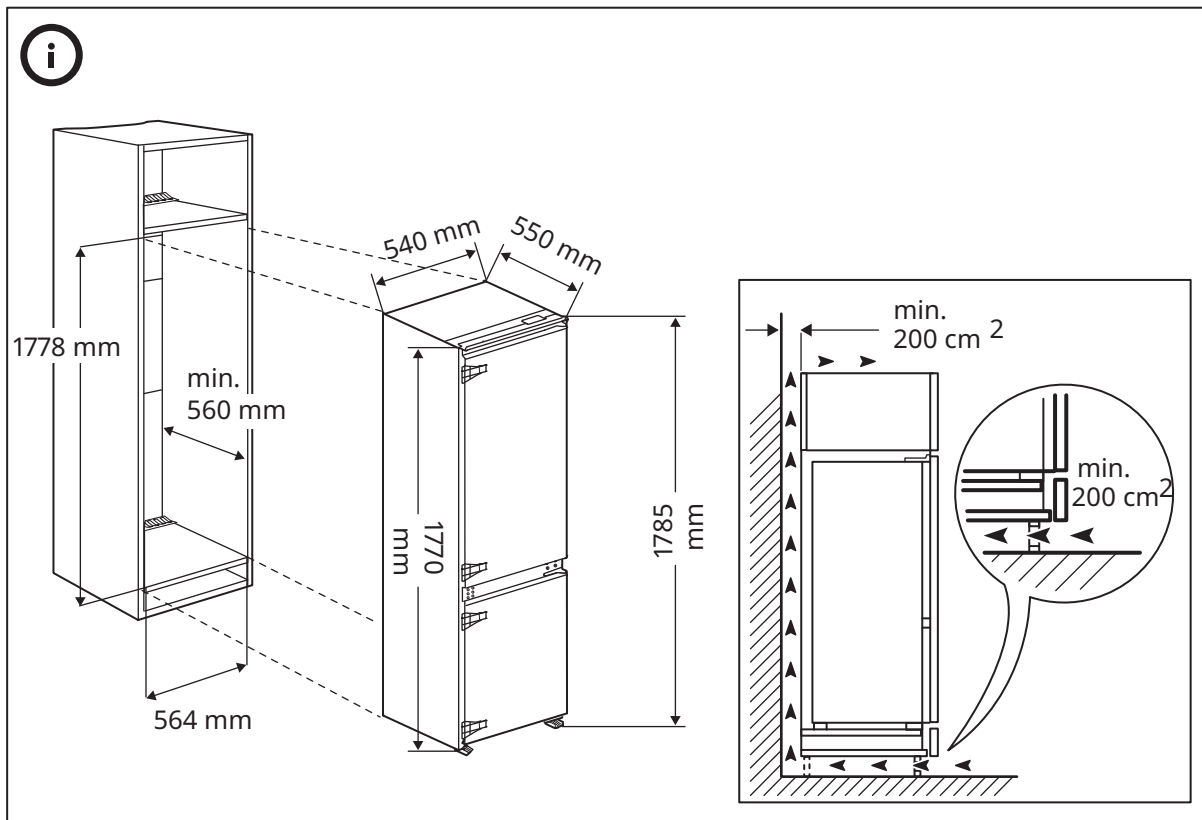
The tubes of the refrigeration circuit contain a small quantity of the environmentally friendly but flammable

refrigerant R600a. It does not damage the ozone layer and does not increase the greenhouse effect. If refrigerant escapes, it may injure your eyes or ignite.

Do not damage the tubes.

- **WARNING:** Keep ventilation openings, in the appliance enclosure or in the built-in structure, clear of obstruction.
- **WARNING:** Do not use mechanical devices or other means to accelerate the defrosting process, other than those recommended by the manufacturer.
- **WARNING:** Do not damage the refrigerant circuit.
- **WARNING:** Do not use electrical appliances inside the food storage compartments of the appliance, unless they are of the type recommended by the manufacturer.
- **WARNING:** Do not use water spray and steam to clean the appliance.
- **WARNING:** Clean the appliance with a moist soft cloth. Only use neutral detergents. Do not use abrasive products, abrasive cleaning pads, solvents or metal objects.
- **WARNING:** Do not store explosive substances such as aerosol cans with a flammable propellant in this appliance.
- **WARNING:** If the supply cord is damaged, it must be replaced by the manufacturer, its service agent or similarly qualified persons in order to avoid a hazard.
- **WARNING:** When positioning the appliance, ensure the supply cord is not trapped or damaged.

- **WARNING:** Do not locate multiple portable socket-outlets or portable power supplies at the rear of the appliance.
- **WARNING:** To avoid a hazard due to instability of the appliance, it must be fixed in accordance with the instructions.
- The appliance is equipped with a lamp for interior lighting. Only service is allowed to replace the lighting device.
- Disconnect the mains plug from the mains socket before carrying out care, maintenance, installation and repair work on the product.
- Opening the door for long periods can cause a significant increase of the temperature in the compartments of the appliance.
- Clean regularly surfaces that can come in contact with food and accessible drainage systems.
- Clean water tanks if they have not been used for 48 hours; flush the water system connected to a water supply if water has not been drawn for 5 days.
- Store raw meat and fish in suitable containers in the refrigerator, so that it is not in contact with or drip onto other food.
- If the refrigerating appliance is left empty for long periods, switch off, defrost, clean, dry, and leave the door open to prevent mould developing within the appliance.
- Two-star frozen-food compartments are suitable for storing pre-frozen food, storing or making ice-cream and making ice cubes.
- One-, two- and three-star compartments are not suitable for the freezing of fresh food.



Safety instructions

Installation

- The appliance must be handled and installed by two or more persons.
- Installation and maintenance including replacement of the supply cord must be carried out by the manufacturer or a qualified technician, in compliance with the manufacturer's instructions and the local safety regulations in force. In order to avoid a hazard, do not repair or replace any part of the appliance including the supply cord, unless specifically stated in the user manual.
- Remove all the packaging.
- Do not install or use a damaged appliance.
- Follow the installation instructions supplied with the appliance.
- Always take care when moving the appliance as it is heavy. Always use safety gloves and enclosed footwear.
- Be careful not to damage the floors (e.g. parquet) when moving the appliance.
- Make sure the appliance is not near a heat source.
- Install and level the appliance on a floor strong enough to take its weight and in a place suitable for its size and use.
- Make sure the air can circulate around the appliance.
- At first installation or after reversing the door wait at least 4 hours before connecting the appliance to the power supply. This is to allow the oil to flow back into the compressor.
- Before carrying out any operations on the appliance (e.g. reversing the door), remove the plug from the power socket.
- Do not install the appliance where there is direct sunlight.
- Do not install this appliance in areas that are too humid or too cold such as wine cellars.
- Install this appliance at a location where the ambient temperature corresponds to the climate class indicated on the rating plate of the appliance. This ensures the correct operation of the appliance. Explanation of climate classes is as follows:
 - "SN" indicates that this refrigerating appliance is intended to be used at ambient temperatures ranging from 10°C to 32°C.
 - "N" indicates that this refrigerating appliance is intended to be used at ambient temperatures ranging from 16°C to 32°C.
 - "ST" indicates that this refrigerating appliance is intended to be used at ambient temperatures ranging from 16°C to 38°C.
 - "T" indicates that this refrigerating appliance is intended to be used at ambient temperatures ranging from 16°C to 43°C.

- **WARNING:** Refrigerating appliances might not operate consistently (possibility of defrosting of contents or temperature becoming too warm in the frozen food compartment) when sited for an extended period of time below the cold end of the range of temperatures for which the refrigerating appliance is designed.

Electrical connection

- ⚠ **WARNING!** Risk of fire and electrical shock.
- ⚠ **WARNING!** When positioning the appliance, ensure the supply cord is not trapped or damaged.
- ⚠ **WARNING!** Do not use multi-plug adapters or extension cables.
 - The appliance must be earthed.
 - Make sure that the parameters on the rating plate are compatible with the electrical ratings of the mains power supply.
 - Always use a correctly installed shockproof socket.
 - Make sure not to cause damage to the electrical components (e.g. mains plug, mains cable, compressor). Contact an Authorised Service Centre or an electrician to change the electrical components.
 - The mains cable must stay below the level of the mains plug.
 - Connect the mains plug to the mains socket only at the end of the installation. Make sure that there is access to the mains plug after the installation.
 - Do not pull the mains cable to disconnect the appliance. Always pull the mains plug.

Use

- The surface of the compressor may become hot under normal operation. Do not touch it with hands.
- Do not change the specifications of this appliance.
- Do not put electrical appliances (e.g. ice cream makers) in the appliance unless they are stated applicable by the manufacturer.
- If damage occurs to the refrigerant circuit, make sure that there are no flames and sources of ignition in the room. Ventilate the room.
- Do not let hot items touch the plastic parts of the appliance.
- Do not store bottled drinks in the freezer compartment to prevent burst or other losses.
- Do not store flammable gases or liquids in the appliance.
- Do not put flammable products or items that are wet with flammable products in, near or on the appliance.

- Do not touch the compressor or the condenser. They are hot.
- Do not remove or touch items from the frozen-food compartment if your hands are wet or damp.
- Do not swallow the contents (non-toxic) of the ice packs.
- Do not eat ice cubes or ice lollies immediately after taking them out of the freezer since they may cause cold burns.
- Thawed food should not be put back in the frozen-food compartment.
- Follow the storage instructions on the packaging of frozen food.

Internal lighting

⚠ WARNING! Risk of electric shock.

- The bulb used inside the appliance is specifically designed for domestic appliances and is not suitable for general room lighting within the home.

Care and cleaning

⚠ WARNING! Risk of injury or damage to the appliance.

- Before maintenance, deactivate the appliance and disconnect the mains plug from the mains socket.
- This appliance contains hydrocarbons in the cooling unit. Only a qualified person can do the maintenance and the recharging of the unit.

Service

- To repair the appliance, contact an Authorised Service Centre.
- Use original spare parts only.

Disposal

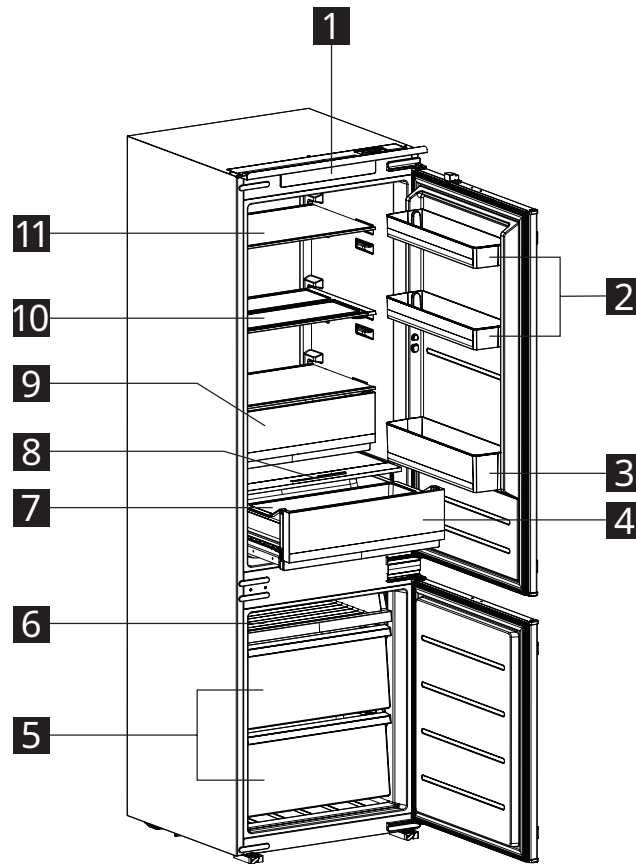
⚠ WARNING! Risk of injury or suffocation.

- Disconnect the appliance from the mains supply.
- Cut off the mains cable and discard it.
- Remove the doors to prevent children and pets to be closed inside the appliance.
- The refrigerant circuit and the insulation materials of this appliance are ozone-friendly.
- The insulation foam contains flammable gas. Contact your municipal authority for information on how to discard the appliance correctly.
- Do not cause damage to the part of the cooling unit that is near the heat exchanger.

The manufacturer declines any liability for injury to persons or animals or damage to property if the above advice and precautions are not respected.

Product description

Product overview



1 Control panel

2 Door balconies

3 Bottle balcony

4 Vegetable drawer

5 Freezer drawers

6 Freezer tray

7 Sliding tray

8 Humidity slider

9 Low temperature drawer

10 Extendable glass shelf

11 Glass shelf

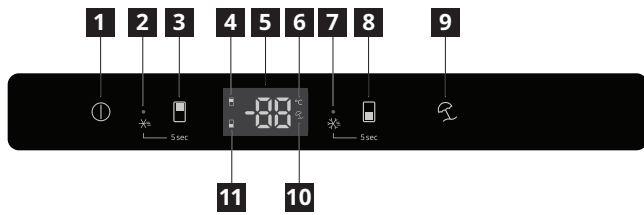
First use

Connect the appliance to the power supply. The ideal food storage temperatures are already factory-set (intermediate).

Note: After being switched on, the appliance needs 4-5 hours in order to reach the correct temperature to store a typical volume of food.

Operation

Control panel



- 1** On/Off button
- 2** Super cooling mode indicator
- 3** Refrigerator temperature button
- 4** Refrigerator indicator
- 5** LCD screen
- 6** Temperature unit indicator
- 7** Super freezing mode indicator
- 8** Freezer temperature button
- 9** Vacation mode button
- 10** Vacation mode indicator
- 11** Freezer indicator

Note: Do not use sharp objects to operate the control panel. They can scratch or damage the control panel.

Switching on

When you connect the mains plug to a power socket, the appliance switches on, emits a ring and starts operating using the default or last used settings.

Switching off

- To switch off the appliance, tap and hold the On/Off button (1) for 10 seconds. The appliance turns off the control panel and stops operating.
Note: When the appliance is off, all control panel buttons except the On/Off button (1) are disabled. If you tap a disabled button, the appliance emits a ring.
- To switch the appliance back on, tap and hold the On/Off button (1) for 10 seconds. The appliance turns on the control panel and resumes its operation.
- To disconnect the appliance from the power supply, disconnect the mains plug from the power socket.

Display

- After you plug in the appliance, the entire LCD screen and all indicators will light up for 3 seconds. Then the screen starts showing the set temperature for the refrigerator compartment in °C.
- To view the set temperature for the freezer compartment, tap the Freezer temperature button (8). The Freezer indicator (11) lights up.

- To view the set temperature for the refrigerator compartment again, tap the Refrigerator temperature button (3). The Refrigerator indicator (4) lights up.
- If the door is closed and you do not tap any button, the LCD screen and all relevant indicators will turn off in 15 seconds. To turn them back on, tap any button or open the door.
- In case of a known failure, the appliance shows one of the following error codes on the LCD screen and beeps. To stop the beeping, tap any button.

Error code	Fault
E1	Refrigerator temperature sensor failure
E2	Freezer temperature sensor failure
E5	Freezer defrosting temperature sensor failure
E7	Ambient temperature sensor failure
E6	Internal communication failure

Note: If you see one of these error codes, contact an Authorised Service Centre for advice.

Setting the temperatures

Recommended temperatures

Refrigerator compartment: +5°C (factory setting)

Freezer compartment: -20°C (factory setting)

When you plug in the appliance for the first time, it sets the temperatures to the factory default temperatures. When you plug in or switch on the appliance again, it sets the temperatures to the last set temperatures unless its memory function is off.

- To adjust the refrigerator temperature, tap the Refrigerator temperature button (3) to cycle through the available temperatures (2°C to 8°C) until your desired temperature appears on the screen.
The Refrigerator indicator (4) blinks during the adjustment and stops blinking when the set temperature takes effect.



- To adjust the freezer temperature, tap the Freezer temperature button (8) to cycle through the available temperatures (-24°C to -16°C) until your desired temperature appears on the screen.
The Freezer indicator (11) blinks during the adjustment and stops blinking when the set temperature takes effect.



Tips:

- You cannot adjust the refrigerator and freezer temperatures when the appliance is in vacation mode.
- The lower the set temperature, the longer you can safely store your food and the more electricity the appliance consumes.
- The higher the set temperature, the quicker your stored food decays and the less electricity the appliance consumes.

Super cooling mode

Note: The Super cooling function is specifically designed to rapidly cool down newly placed food in the fridge compartment. If you have a significant amount of warm food, such as after grocery shopping, it is recommended to activate the Super cooling function. By doing so, you can ensure quick cooling of the products and reduce the temperature rise, thereby effectively prolonging the preservation of all the other food items inside.

- To put the appliance into super cooling mode, tap and hold the Refrigerator temperature button (■) for 5 seconds. The Super cooling mode indicator (❄️) blinks and the appliance displays 2°C on the screen. This mode will take effect when this indicator stops blinking.
- The appliance will automatically exit super cooling mode after being in this mode for 6 hours or when the refrigerator temperature reaches 2°C. To exit this mode earlier, tap the Refrigerator temperature button (■).

Super freezing mode

Note: The super freezing function is designed to maintain the nutritional value of food in the freezer compartment. It can freeze the food in the shortest time. If a large amount of food is frozen at one time or the food needs to be frozen quickly, it is recommended to turn on the super freezing function and put the food in. At this time, freezing speed of freezer compartment will be increased. Energy consumption increases while the function is ON.

- To put the appliance into super freezing mode, tap and hold the Freezer temperature button (■) for 5 seconds. The Super freezing mode indicator (❄️) blinks and the appliance displays -24°C on the screen. This mode will take effect when this indicator stops blinking.
- The appliance will automatically exit super freezing mode after being in this mode for 40 hours. To exit this mode earlier, tap the Freezer temperature button (■).

Vacation mode

Before leaving the appliance unused for a long time, you can put it into vacation mode to save energy. In vacation mode, the appliance does not cool the refrigerator compartment and keeps the freezer

compartment at a temperature of -20°C.

Notes:

- Do not store any food in the refrigerator compartment when the appliance is in vacation mode. Leave the refrigerator door open just enough to allow air to circulate inside the compartment. This will prevent the formation of mould and unpleasant odours.
- Both the Refrigerator temperature button (■) and Freezer temperature button (■) are disabled when the appliance is in vacation mode.
- To put the appliance into vacation mode, tap and hold the Vacation mode button (⌚) for 3 seconds. The Vacation mode indicator (⌚) blinks and the appliance displays -20°C on the screen. This mode will take effect when this indicator stops blinking.
- To exit vacation mode, tap and hold the Vacation mode button (⌚) for 3 seconds. The Vacation mode indicator (⌚) turns off.

Memory function

The appliance has a memory function that is on in most cases. If you switch off or unplug the appliance, or in case of a power outage, it will resume its operation using the last used settings after switching on again.

Similarly, after the appliance exits super cooling, super freezing or vacation mode, it will continue to operate using the settings used before entering that mode.

Notes:

- The appliance will not remember the elapsed time for super cooling or super freezing mode. So, for instance, if it returns to super cooling mode after switching on again, it will always run this mode for 6 hours before exiting automatically.
- The appliance will turn on its memory function only after it has operated continuously for more than 30 minutes. So, if you switch it off after it has operated continuously for less than 30 minutes, it will not remember the last used settings.

Door opening and closing

- The LED light inside the refrigerator compartment turns on when the refrigerator door opens and turns off when the door closes.
- The LCD screen and all relevant indicators turn on when the refrigerator door opens and turn off 15 seconds after the door closes.

Door opening alarm

- If the refrigerator door remains open for more than 120 seconds, the door opening alarm will go off. To stop the alarm, close the open door or tap any button.
- If you stop the alarm by tapping a button and keep the door open, the alarm will go off again after another 120 seconds. If you keep the door open for over 15 minutes, the appliance will turn off the

alarm and LED light, and continue operating as usual.

- **Note:** The door opening alarm is disabled when the appliance is in vacation mode.

Daily use

Low temperature drawer

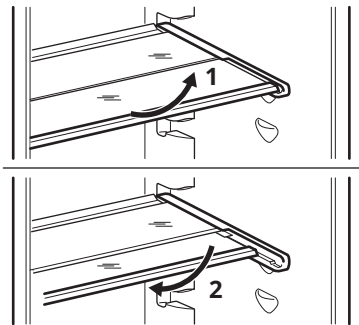
- The low temperature drawer is the coldest zone in the refrigerator compartment. It maintains a temperature that is 1 or 2°C lower than the set temperature.
- Store perishable foods such as fish, sausages and meat in this drawer, so that they will stay fresh longer. **Note:** Store fresh meat in this drawer for no more than two days to guarantee the best freshness.

Extendable glass shelf

This appliance is equipped with an extendable glass shelf in the refrigerator compartment. The front half of the shelf can be placed in front of or under the rear half to suit your needs.

To fold the shelf:

1. Take out the front half gently.
2. Slide it into the lower rail and under the rear half.



Vegetable drawer with humidity control

The vegetable drawer is the best storage location for fresh fruit and vegetables. You can adjust the air humidity in the vegetable drawer via the humidity slider. This allows fresh fruit and vegetables to be stored twice as long as with conventional storage.

The air humidity in the vegetable drawer can be set according to the type and amount of products to be stored:

Products	Suggested air humidity
Mainly fruit or a large load	Lower
Mainly vegetables, a mixed load or a small load	Higher

Notes:

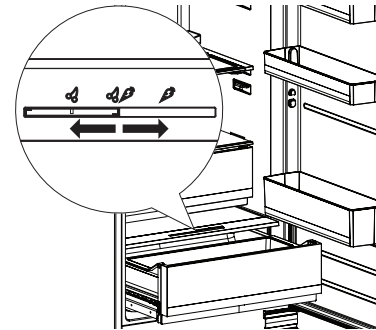
- Fruit sensitive to cold (e.g. pineapple, banana, papaya and citrus fruit) and vegetables sensitive to cold (e.g. aubergines, cucumbers, zucchini, peppers, tomatoes and potatoes) should be stored outside the refrigerator at temperatures of about

8-12°C for optimum preservation of quality and flavour.

- Condensation may form in the vegetable drawer depending on the food and quantity stored. Remove condensation with a dry cloth and adjust air humidity in the vegetable drawer with the humidity slider.

The humidity slider is on the front of the vegetable drawer cover.

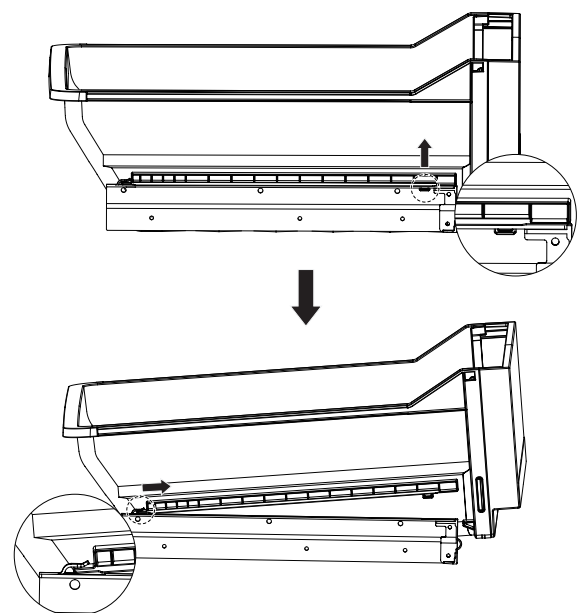
- To increase the air humidity, move the slider rightwards.
- To reduce the air humidity, move the slider leftwards.



The vegetable drawer is attached to a sliding base and can be removed from the appliance.

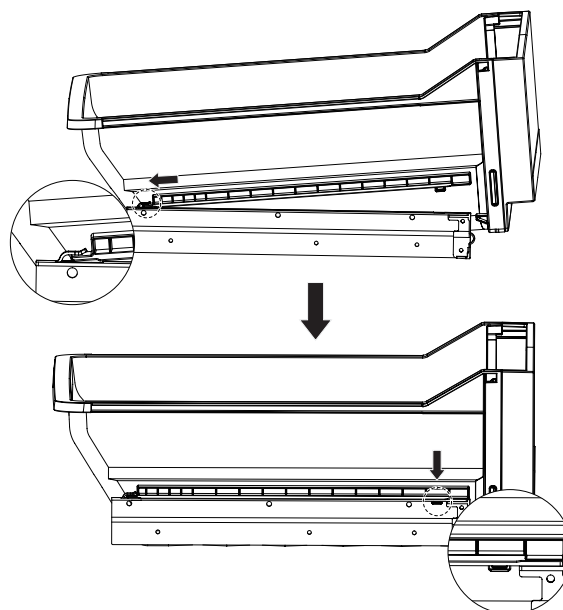
To remove the vegetable drawer, follow these steps:

1. Fully pull out the drawer.
2. Lift the front of the drawer off the base.
3. Pull the drawer away from the base.



To reinstall the vegetable drawer, follow these steps:

1. Fully pull out the base.
2. Place the back of the drawer onto the base, then slide the two rear tabs into the two slots of the base.
3. Insert the two front tabs into the base.



Hints and tips

Hints for fresh food refrigeration

- Cover or wrap the food, particularly if it has a strong flavour.
- Position the food so that air can circulate freely around it.
- For best performance, leave enough space in the refrigerator compartment for air to circulate around the packages. Also leave enough room at the front so the door can close tightly.
- Do not store warm food or evaporating liquids in the refrigerator.
- Meat (all types): wrap in suitable packaging and place on the glass shelf above the vegetable drawer. Store meat for at most 1-2 days.
- Cooked foods and cold dishes: cover and place on any shelf.
- Fruit and vegetables: clean thoroughly and place in the vegetable drawer. Bananas, potatoes, onions and garlic must not be kept in the refrigerator if not packed.
- Butter and cheese: place in special airtight containers or wrap in aluminium foil or polythene bags to exclude as much air as possible.
- Bottles: close with caps and place on the door balconies.

Freezing fresh food

- The quantity of fresh food that can be frozen in 24 hours is shown on the rating plate.
- Do not allow fresh, unfrozen food to touch food which is already frozen, thus avoiding a rise in temperature of the latter.
- Place fresh food in the freezing area of the freezer compartment leaving enough space between items to allow air to circulate freely.
- Wrap food to protect it from any water, humidity or condensation; this will prevent the spread of any odours in the refrigerator, while also ensuring better storage of frozen food.
- Lean foods store better and longer than fatty ones; salt reduces the storage life of food.
- Never place warm food in the freezer. Cooling hot foods before freezing saves energy and prolongs the life of the appliance.
- Do not refreeze partially thawed food.

Removing the freezer drawers

Pull the drawers all the way out, lift them up and remove.

Notes:

- To maximize the available space, you can use the freezer compartment without inserting the drawers. However, as the amount of food in the compartment increases, the energy consumption also increases.
- After placing food in the compartment make sure the freezer compartment door closes properly.

Energy-saving tips

- Install the appliance in a dry, well ventilated room far away from any heat source (e.g. radiator, cooker, etc.) and in a place not exposed directly to the sun. If required, use an insulating plate.
- To guarantee adequate ventilation follow installation instructions.
- Insufficient ventilation on back of the product increases energy consumption and decreases cooling efficiency.
- The internal temperatures of the appliance may be affected by the ambient temperature, frequency of door opening, as well as location of the appliance. Temperature setting should take into consideration these factors.
- Allow warm food and drinks to cool down before placing in the appliance.
- Do not obstruct the fan (if available) with food items.
- After placing the food check if the door of compartments closes properly, especially the freezer door.
- Reduce to a minimum door opening.
- When thawing frozen food, place them in the refrigerator. The low temperature of the frozen products cools the food in the refrigerator.
- Positioning of the shelves in the refrigerator has no impact on the efficient usage of energy. Food should be placed on the shelves in such way to ensure proper air circulation (food should not touch each other and distance between food and rear wall should be kept).
- Damaged gaskets must be replaced as soon as possible.

Cleaning and maintenance**General tips**

- Before servicing or cleaning the appliance, unplug it from the mains or disconnect the power supply.
- Regularly clean the appliance with a cloth and a solution of warm water and neutral detergent specifically formulated for refrigerator interiors. Do not use abrasive cleaners or tools.

CAUTION! Make sure that no water enters the lighting housing, electronic display housing or any other electrical parts.

CAUTION! The refrigerator accessories must not be placed in a dishwasher.

Defrosting the refrigerator compartment

The appliance is equipped with an automatic defrosting function. Manual defrosting is not required.

Defrosting the freezer compartment

The appliance is equipped with an automatic defrosting function. There will be no buildup of frost when it is in operation, neither on the internal walls, nor on the foods. Manual defrosting is not required.

If you do not use the appliance for a prolonged period

1. Switch off the appliance.
2. Disconnect the appliance from the power supply.
3. Remove all food.
4. Clean the appliance.
5. Leave the doors open just enough to allow air to circulate inside the compartments. This will prevent the formation of mould and unpleasant odours.

In the event of a power cut

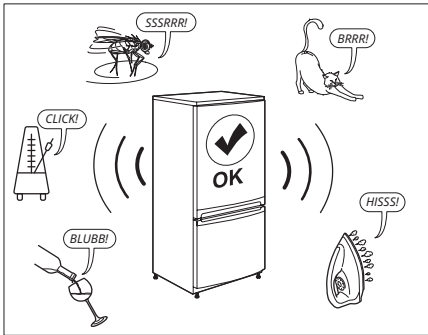
- Keep the doors of the appliance closed. This will allow the food to stay cold as long as possible.
- If food has defrosted even partially, do not re-freeze it. Consume within 24 hours.

Troubleshooting

Problem	Possible causes	Solutions
The control panel is switched off and/or the appliance does not work.	There may be a problem with the power supply to the appliance.	Ensure that: <ul style="list-style-type: none"> • There is no power cut. • The power plug is properly inserted in the socket and the bipolar power switch, if present, is set to the correct position (on). • The household electrical system protection devices are in good working order. • The power supply cable is not damaged. • You have switched on the appliance.
The inside light does not work.	<ul style="list-style-type: none"> • The light is broken. • Failure of a component 	Refer to "Replacing the lighting".
Temperature inside the compartments is not low enough.	There could be various causes (see the solutions in the next column).	Ensure that: <ul style="list-style-type: none"> • The doors are closed properly. • The appliance is not installed near a heat source. • The temperature is set appropriately. • Air circulation inside the appliance is not obstructed in any way (see the installation instructions).
The front edge of the refrigerator next to the seal is hot.	This is not a problem. It prevents condensation from forming.	No solution is required.
The temperature inside the refrigerator compartment is too low.	<ul style="list-style-type: none"> • The set temperature is too low. • Refrigerator temperature sensor malfunctions. 	<ul style="list-style-type: none"> • If no food in the compartment is frozen, set a higher temperature. • If some or all food in the compartment has become frozen, contact an authorized Service Centre.
There is frost buildup in the freezer or refrigerator compartment.	The freezer or refrigerator door does not close properly.	Ensure the door closes properly. Refer to "Closing the door".
The appliance shows a code on the LCD screen and beeps.	Refer to "Display" in the "Operation" chapter.	Refer to "Display" in the "Operation" chapter.
The door does not close completely.	Refer to "Closing the door".	Refer to "Closing the door".

Normal noises

It is normal for the refrigeration system to produce some noises, such as gurgling and hissing.



Closing the door

Door gaskets are dirty.	Clean them.
Door gaskets are damaged.	Contact the After Sales Service to replace them.
The door is blocked by shelves, drawers, food items, etc.	Position correctly or remove the objects that block the door.
The door is not aligned with the cabinet.	Adjust the door. Refer to the separate Assembly Instructions.

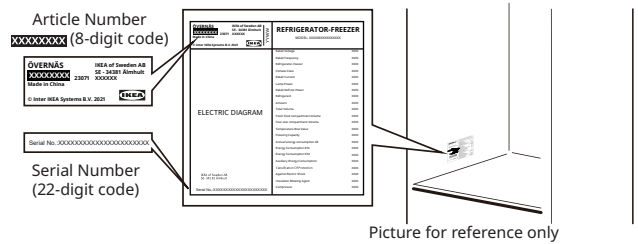
Before contacting the After-sales Service:

Restart the appliance to see if the fault has been remedied. If it persists, switch the appliance off again and repeat the operation after an hour.

If your appliance still does not work properly after carrying out the checks listed in the troubleshooting guide and switching the appliance on again, contact the After-sales Service, clearly explaining the problem and specifying:

- the nature of the problem
- the date of purchase
- the model and serial number of the appliance

i The article number and serial number are shown on the rating plate on the internal left side of the appliance.



Technical information

Product category	
Product type	Refrigerator - Freezer
Installation type	Built-in
Product dimensions	
Height	1785 mm
Width	540 mm
Depth	550 mm
Net volume	
Fridge	196.0 L
Freezer	65.0 L
Defrost system	
Fridge	Automatic
Freezer	Automatic
Other specifications	
Star rating	* ** *
Temperature rising time	12 hours
Freezing capacity	3.5 kg/24 h
Energy consumption	226 kWh/year
Noise level	35 dB(A), Class B

Energy efficiency class	A++
Rated voltage	220-240 V~
Rated frequency	50 Hz
Energy efficiency class of light source	F

Environmental concerns

1. Packing materials ♻️

Recyclable materials are marked with the symbol ♻️. Put the packing materials in relevant containers to recycle them.

Keep the packing materials (plastic bags, polystyrene parts, etc.) out of the reach of children, as they are a potential source of danger.

2. Scrapping/Disposal

Scrap the appliance in compliance with local regulations on waste disposal, taking it to a special collection centre; do not leave the appliance unattended even for a few days, since it is a potential source of danger for children.

For further information on the treatment, recovery and recycling of this product, contact your competent local office, the household waste collection service or the shop where you purchased the appliance.

IKEA Guarantee

How long is the IKEA guarantee valid?

This guarantee is valid for five (5) years from the original date of purchase of your appliance at IKEA, unless the appliance is named LAGAN in which case two (2) years of guarantee apply. The original sales receipt, is required as proof of purchase. If service work is carried out under guarantee, this will not extend the guarantee period for the appliance.

Which appliances are not covered by the IKEA five (5) years guarantee?

The range of appliances named LAGAN and all appliances purchased in IKEA before 1st of August 2007.

Who will execute the service?

IKEA service provider will provide the service through its own service operations or authorized service partner network.

What does this guarantee cover?

The guarantee covers faults of the appliance, which have been caused by faulty construction or material faults from the date of purchase from IKEA. This guarantee applies to domestic use only. The exceptions are specified under the headline "What is not covered under this guarantee?" Within the guarantee period, the costs to remedy the fault e.g. repairs, parts, labour and travel will be covered, provided that the appliance is accessible for repair without special expenditure. On these conditions the respective local regulations are applicable. Replaced parts become the property of IKEA.

What will IKEA do to correct the problem?

IKEA appointed Service Provider will examine the product and decide, at its sole discretion, if it is covered under this guarantee. If considered covered, IKEA Service Provider or its authorized service partner through its own service operations, will then, at its sole discretion, either repair the defective product or replace it with the same or a comparable product.

What is not covered under this guarantee?

- Normal wear and tear.
- Deliberate or negligent damage, damage caused by failure to observe operating instructions, incorrect installation or by connection to the wrong voltage, damage caused by chemical or electrochemical reaction, rust, corrosion or water damage including but not limited to damage caused by excessive lime in the water supply, damage caused by abnormal environmental conditions.
- Consumable parts including batteries and lamps.
- Non-functional and decorative parts which do not affect normal use of the appliance, including any scratches and possible color differences.
- Accidental damage caused by foreign objects or substances and cleaning or unblocking of filters, drainage systems or soap drawers.
- Damage to the following parts: ceramic glass, accessories, crockery and cutlery baskets, feed and drainage pipes, seals, lamps and lamp covers, screens, knobs, casings and parts of casings. Unless such damages can be proved to have been caused by production faults.
- Cases where no fault could be found during a technician's visit.

- Repairs not carried out by our appointed service providers and/or an authorized service contractual partner or where non-original parts have been used.
- Repairs caused by installation which is faulty or not according to specification.
- The use of the appliance in a non-domestic environment i.e. professional use.
- Transportation damages. If a customer transports the product to his home or another address, IKEA is not liable for any damage that may occur during transport. However, if IKEA delivers the product to the customer's delivery address, then damage to the product that occurs during this delivery will be covered by IKEA.
- Cost for carrying out the initial installation of the IKEA appliance. However, if an IKEA appointed Service Provider or its authorized service partner repairs or replaces the appliance under the terms of this guarantee, the appointed Service Provider or its authorized service partner will reinstall the repaired appliance or install the replacement, if necessary.
- All plumbing and electrical installation, are not the responsibility of IKEA, and customer must complete these work before the execution work.

How country law applies

The IKEA guarantee gives you specific legal rights, which cover or exceed all the local legal demands. However these conditions do not limit in any way consumer rights described in the local legislation.

Area of validity

This warranty is valid only in the country where the product has been purchased; the services will be provided in the framework of the guarantee conditions.

An obligation to carry out services in the framework of the guarantee exists only if the appliance complies and is installed in accordance with:

- the technical specifications of the country in which the guarantee claim is made;
- the Assembly Instructions and User Manual Safety Information.

The dedicated AFTER SALES for IKEA appliances

Please don't hesitate to contact IKEA appointed After Sales Service Provider to:

- make a service request under this guarantee;
- ask for clarifications on installation of the IKEA appliance in the dedicated IKEA kitchen furniture;
- ask for clarification on functions of IKEA appliances.

To ensure that we provide you with the best assistance, please read carefully the Assembly Instructions and/or the User Manual before contacting us.

How to reach us if you need our service



The IKEA after sales customer service centre will assist you on the phone with basic troubleshooting for your appliances at the time of service call request.

- ① Please refer to www.ikea.com and select your local store for local store phone numbers and opening times.
Before calling us, assure that you have to hand the 8-digit article number and 22-digit serial number shown on the rating plate of your appliance.
- ① **SAVE THE SALES RECEIPT!**
It is your proof of purchase and required for the guarantee to apply. The sales receipt also reports the IKEA name and article number (8 digit code) for each of the appliances you have purchased.

Do you need extra help?

For any additional questions not related to After Sales of your appliances please contact your nearest IKEA store call centre. We recommend you read the appliance documentation carefully before contacting us.



UNITED ARAB EMIRATES & OMAN

Toll free: 8 004 532 : رقم مجاني
Web: www.IKEA.com : موقع الإنترنت

QATAR

Toll free: 8 004 532 : رقم مجاني
Web: www.IKEA.qa : موقع الإنترنت
e-mail: Ikea_qatar@alfuttaim.com : البريد الإلكتروني

EGYPT

Hotline: 16576 : الخط الساخن
Web: www.IKEA.eg : موقع الإنترنت
e-mail: IkeaCairo.customerservice@alfuttaim.com : البريد الإلكتروني

STATE OF KUWAIT

Contact centre: +965 18 40 40 8 : مركز الاتصال
Web: www.IKEA.com.kw : موقع الإنترنت
e-mail: info@IKEA.com.kw : البريد الإلكتروني

JORDAN

Contact centre: +962 6 400 1000 : مركز الاتصال
Web: www.IKEA.jo : موقع الإنترنت

KINGDOM OF SAUDI ARABIA

Contact centre: 92000-4532 : مركز الاتصال
Our phone lines are open: خطوط الهاتف لدينا مفتوحة
Saturday - Thursday 09:00 AM - 10:00 PM السبت - الخميس
Friday 2:00 PM - 10:00 PM يوم الجمعة

BAHRAIN

Contact centre: 80001120 : مركز الاتصال
Our telephone lines are open all day 09:00 AM - 10:00 PM خطوط الهاتف لدينا مفتوحة طوال اليوم

MOROCCO

Web: www.IKEA.com : موقع الإنترنت

كيف تتواصل معنا إن كنت تحتاج إلى خدماتنا

سيساعدك مركز خدمة عملاء ما بعد البيع المُعيّن من IKEA عبر الهاتف في استكشاف الأخطاء الأساسية الموجودة في أجهزتك وإصلاحها في وقت طلب مكالمة الخدمة.



يُرجى الرجوع إلى www.ikea.com وتحديد متجرك المحلي لمعرفة أرقام هواتف المتجر المحلي وأوقات العمل به. قبل الاتصال بنا، تأكد من توفر رقم الصنف المكون من 8 أرقام والرقم التسلسلي المكون من 22 رقمًا الموضح على لوحة التصنيف الخاصة بجهازك.

احتفظ بإيصال المبيعات!

الإيصال هو إثبات الشراء ومطلوب لكي يسري الضمان. يذكر إيصال المبيعات كذلك اسم منتج IKEA ورقم المنتج (كود من 8 أرقام) لكل جهاز قمت بشرائه.

هل تحتاج إلى مساعدة إضافية؟

لترح أي أسئلة إضافية غير متصلة بخدمة ما بعد البيع لجهازك، يُرجى الاتصال بأقرب مركز اتصال في متجر IKEA. نوصي بقراءة وثائق الجهاز بعناية قبل الاتصال بنا.

- تكلفة تنفيذ التركيب الأولي لجهاز IKEA. ومع ذلك، إذا أصْلَحَ موفّر خدمة الصيانة المُعيّن من IKEA أو شريك الخدمة المعتمد التابع لها الجهاز أو استبدله بموجب الشروط الواردة في هذا الضمان، فإنّ موفّر خدمة الصيانة المُعيّن أو شريك الخدمة المعتمد التابع لها سيعيد تركيب الجهاز الذي تم إصلاحه أو تركيب البديل، إذا لزم الأمر.
- لا تكون IKEA مسؤولة عن كل عمليات التصريف والتركييبات الكهربائية، ويجب على العميل إكمال هذه الأعمال قبل بدء العمل.

كيفية إنفاذ القوانين المعمول بها في البلد

يعطيك ضمان IKEA حقوقًا قانونية محددة، والذي يغطي أو يتعدى جميع المتطلبات القانونية المحلية. ومع ذلك، فإنّ هذه الشروط لا تُقيّد بأي حال حقوق المستهلك الموضّحة في التشريعات المحلية.

منطقة السريان

- لا يسري هذا الضمان إلا في البلد الذي تم شراء المنتج منه؛ وسيتم توفير خدمات الصيانة في إطار الشروط الواردة في الضمان. لن يقع التزام تنفيذ الخدمات في إطار الضمان إلا عند توافق الجهاز وتركيبه وفقًا لما يأتي:
- المواصفات الفنية للبلد الذي تم تقديم مطالبة الضمان فيه؛
 - تعليمات التجميع ومعلومات السلامة الواردة في دليل المستخدم.

خدمة ما بعد البيع المخصصة لأجهزة IKEA

- يُرجى عدم التردد في الاتصال بموفر خدمة ما بعد البيع المُعيّن من شركة IKEA من أجل:
- تقديم طلب خدمة بموجب هذا الضمان؛
 - طلب توضيحات بخصوص تركيب جهاز IKEA في أثاث مطبخ IKEA المخصص؛
 - طلب التوضيح بشأن وظائف أجهزة IKEA.
- للتأكد من الحصول على أفضل مساعدة منا، تُرجى قراءة تعليمات التجميع و/أو دليل المستخدم بعناية قبل الاتصال بنا.

المخاوف البيئية

1. مواد التغليف ١

المواد القابلة لإعادة التدوير مميزة بالرمز ١. وضع مواد التغليف في حاويات مخصصة لإعادة تدويرها. احفظ مواد التغليف (الأكياس البلاستيكية وقطع البوليسترين وما إلى ذلك) بعيداً عن متناول الأطفال لأنها مصدر خطر محتمل.

2. التخريد/التخلص من الجهاز

قم بتخريد الجهاز وفقاً للوائح المحلية بشأن التخلص من النفايات، وانقله إلى مركز تجميع خاص؛ ولا تترك الجهاز دون رقابة ولو لبضعة أيام لأنه مصدر خطر محتملاً على الأطفال. ولمزيد من المعلومات عن معالجة هذا المنتج وإصلاحه وإعادة تدويره، اتصل بالمكتب المحلي المختص أو خدمة جمع النفايات المنزلية أو المتجر الذي اشتريته منه الجهاز.

ضمان IKEA

ما مدة سريان ضمان IKEA؟

يظل الضمان ساريًا لمدة خمس (5) سنوات من تاريخ الشراء الأصلي لجهازك من IKEA، ما لم يكن اسم الجهاز LAGAN وفي هذه الحالة يسري الضمان لمدة عامين (2). يتعين وجود إيصال المبيعات الأصلي كإثبات للشراء. في حالة تنفيذ أعمال خدمات الصيانة بموجب هذا الضمان، لن يؤدي ذلك إلى مد فترة ضمان الجهاز.

ما الأجهزة التي لا يغطيها ضمان IKEA لمدة خمس (5) سنوات؟

مجموعة الأجهزة التي تحمل اسم LAGAN وجميع الأجهزة التي تم شراؤها من IKEA قبل الأول من أغسطس لعام 2007.

من سينفِّذ خدمة الصيانة؟

سيؤمِّر مزوِّد خدمة الصيانة من IKEA الصيانة من خلال عمليات الصيانة لديها أو شبكة شركاء الخدمة المعتمدة.

ما الذي يغطيه هذا الضمان؟

يغطي الضمان أعطال الجهاز، الناتجة عن عيوب الصناعة أو المواد من تاريخ الشراء من IKEA. لا يسري هذا الضمان إلا على الاستخدام المنزلي. يتم تحديد الاستثناءات تحت عنوان "ما الذي لا يغطيه هذا الضمان؟" في غضون فترة الضمان، ستكون تكاليف إصلاح العيوب، كعمليات الإصلاح وقطع الغيار والعمالة والنقل، مشمولة بالضمان، شريطة أن يكون من الممكن الوصول إلى الجهاز لإصلاحه من دون مصروفات خاصة. في هذه الحالات، تُطبَّق اللوائح المحلية ذات الصلة. تصبح قطع الغيار المُستبدلة ملكاً لشركة IKEA.

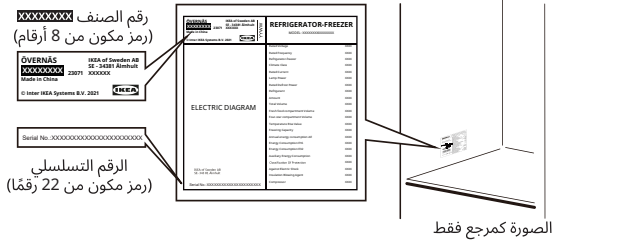
ما الذي ستفعله شركة IKEA لإصلاح المشكلة؟

سيفحص مزود الخدمة المعين من قبل IKEA المنتج وسيقرر، وفقاً لتقديره وحده، ما إذا كان يغطيه هذا الضمان أم لا. إذا عُدَّ المنتج مشمولاً بالضمان، فإنَّ موفر الخدمة من IKEA أو شريك الخدمة المعتمد التابع لها سيقوم حينها إما بإصلاح المنتج المعيب أو أن يحل محله المنتج نفسه أو منتج مماثل له، وذلك من خلال مركز عمليات الخدمة الخاص به وحسب تقديره وحده.

ما الذي لا يغطيه هذا الضمان؟

- البلى والاهتراء العاديان.
- التلف المتعمد أو الناتج عن الإهمال، والتلف الذي يتسبب فيه التقصير في مراعاة تعليمات التشغيل، والتركييب غير الصحيح أو بالتوصيل إلى الجهد الخاطئ، والضرر الذي تسبب فيه التفاعل الكيميائي أو الكهروكيميائية، أو الصدأ أو التآكل أو تلف المياه بما في ذلك على سبيل المثال لا الحصر التلف الذي يتسبب فيه الجير الزائد في مصدر المياه، أو الضرر الذي تتسبب فيه الظروف البيئية غير العادية.
- قطع الغيار المستهلكة، بما في ذلك البطاريات والمصابيح.
- الأجزاء غير الوظيفية وقطع غيار التزيين التي لا تؤثر على الاستخدام العادي للجهاز، بما في ذلك أي خدوش وفروق لون محتملة.
- الضرر العارض الذي تتسبب فيه أجسام أو مواد غريبة وتنظيف أو فتح الفلاتر أو أنظمة الصرف أو أدراج الصابون.
- الضرر الذي يلحق بالأجزاء التالية: السيراميك الزجاجي والملحقات والأواني الفخارية وسلال أدوات المائدة وأنايب التغذية والصرف وموانع التسرب والمصابيح وأغطية المصابيح والشاشات والمقابض والأغلفة وأجزاء الأغلفة. ما لم يتم إثبات أنَّ هذه الأضرار ناتجة عن عيوب الإنتاج.
- الحالات التي لم توجد بها أي عيوب خلال زيارة الفني.
- الإصلاحات التي لم يتم تنفيذها من قبل مزودي خدمات الصيانة المعينين من طرفنا و/أو شريك تعاقدنا معتمد لأداء الخدمة أو في حالة عدم استخدام قطع غيار أصلية.
- عمليات الإصلاح الناتجة عن عيوب في التركيب أو التي لم تتم حسب المواصفات.
- استخدام الجهاز في بيئة غير منزلية، أي للاستخدام المهني.
- أضرار النقل. إذا نُقِلَّ المنتج إلى منزله أو عنوان آخر، فإنَّ IKEA غير مسؤولة عن أي أضرار قد تحدث في أثناء النقل. ومع ذلك، إن سلمت IKEA المنتج إلى العميل على عنوان التسليم، فإن ضرر المنتج الذي يحدث أثناء هذا التسليم تغطيه IKEA.

① يظهر رقم الصنف والرقم التسلسلي على لوحة القياس على الجانب الأيسر الداخلي من الجهاز.



قبل الاتصال بخدمة ما بعد البيع:
أعد تشغيل الجهاز لمعرفة ما إذا تم إصلاح العطل. وإذا استمر، فأوقف تشغيل الجهاز مرة أخرى وكرر العملية بعد ساعة. إذا ظل جهازك لا يعمل بشكل صحيح بعد إجراء الفحوصات المدرجة في دليل استكشاف الأخطاء وإصلاحها وتشغيل الجهاز مرة أخرى، فاتصل بخدمة ما بعد البيع وشرح المشكلة بوضوح محددًا:

- طبيعة المشكلة
- تاريخ الشراء
- الطراز والرقم التسلسلي للجهاز

المعلومات الفنية

فئة المنتج	
نوع المنتج	الثلاجة - المجمد
نوع التركيب	مدمج
أبعاد المنتج	
الارتفاع	1785 مم
العرض	540 مم
العمق	550 مم
الحجم الصافي	
الثلاجة	196.0 لترًا
المجمد	65.0 لترًا
نظام فك التجميد	
الثلاجة	تلقائي
المجمد	تلقائي
مواصفات أخرى	
التقييم بالنجوم	*** *
زمن ارتفاع درجة الحرارة	12 ساعات
سعة التجميد	3.5 كجم / 24 ساعة
استهلاك الطاقة	226 كيلووات/ساعة في العام
مستوى الضوضاء	35 ديسيبل (A)، الفئة ب
تصنيف كفاءة استهلاك الطاقة	A++
الجهد المقدّر	240-220 فولت ~
التردد المقدّر	50 هرتز
مصدر الضوء من الفئة الموفرة للطاقة	F

استكشاف الأخطاء وإصلاحها

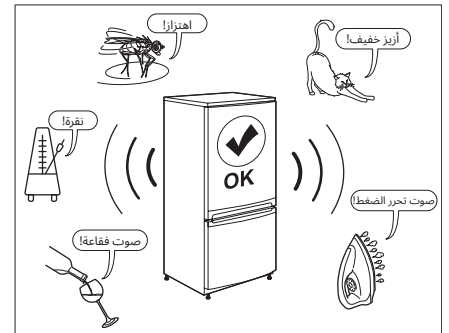
المشكلة	الأسباب المحتملة	الحلول
لوحة التحكم متوقفة أو الجهاز لا يعمل.	قد تكون هناك مشكلة في مصدر إمداد الطاقة للجهاز.	تأكد من: <ul style="list-style-type: none"> عدم انقطاع التيار الكهربائي. إدخال قابس الطاقة بشكل صحيح في المقبس وأن مفتاح الطاقة ثنائي القطب، إن وجد، مضبوط على الوضع الصحيح (تشغيل). أجهزة حماية النظام الكهربائي المنزلي تعمل بصورة جيدة. كابل الطاقة غير تالف. لقد قمت بتشغيل الجهاز.
المصباح الداخلي لا يعمل.	<ul style="list-style-type: none"> المصباح تالف. وجود خلل في أحد المكونات 	راجع "استبدال الإضاءة".
درجة الحرارة داخل الحجيرتين ليست منخفضة بما يكفي.	يمكن أن تكون هناك أسباب مختلفة (راجع الحلول في العمود التالي).	تأكد من: <ul style="list-style-type: none"> الأبواب مغلقة بشكل صحيح. الجهاز غير موجود بالقرب من مصدر حرارة. درجة الحرارة تم ضبطها بشكل ملائم. لا توجد معوقات لدوران الهواء داخل الجهاز (راجع تعليمات التركيب).
الحافة الأمامية للثلاجة المجاورة لمانع التسرب ساخنة.	هذه ليست مشكلة. يمنع ذلك تكون التكتيف.	ليس هناك حل مطلوب.
درجة الحرارة داخل حجيرة الثلاجة منخفضة للغاية.	<ul style="list-style-type: none"> درجة الحرارة المحددة منخفضة للغاية. تعطل مستشعر درجة حرارة الثلاجة. 	<ul style="list-style-type: none"> إذا لم يتجمد أي طعام في الحجيرة، فاضبط درجة حرارة أعلى. إذا تجمدت بعض الأطعمة أو كل الأطعمة الموجودة في الحجيرة، فاتصل بمركز خدمة معتمد.
هناك تراكم للثلج في حجيرة التجميد أو الثلاجة.	لم يتم إغلاق باب المجمد أو الثلاجة بشكل صحيح.	تأكد من إغلاق الباب بشكل صحيح. ارجع إلى "غلق الباب".
يعرض الجهاز رمزاً على شاشة LCD ويُصدر صوت تنبيه.	راجع "الشاشة" في فصل "التشغيل".	راجع "الشاشة" في فصل "التشغيل".
لم يتم إحكام غلق الباب.	ارجع إلى "غلق الباب".	ارجع إلى "غلق الباب".

غلق الباب

إذا	افعل
كانت حشوات الباب متسخة.	نظفها.
كانت حشوات الباب تالفة.	اتصل بخدمة ما بعد البيع لإصلاحها.
الباب مغلق بالأرفف والأدراج والمواد الغذائية وما إلى ذلك.	ضع الأجسام التي تسد الباب بصورة صحيحة أو أخرجها.
الباب غير محازي الهيكل.	اضبط الباب. ارجع إلى تعليمات التجميع المنفصلة.

الضجيج العادي

من الطبيعي أن يصدر نظام التبريد بعض الضوضاء، مثل القرقرة والصفير.



نصائح لتوفير الطاقة

- تجنب سد المروحة (إن وُجدت) بالمواد الغذائية.
- بعد وضع الطعام، تأكد من إغلاق باب الحجيرتين بشكل صحيح، وخاصةً باب المجمد.
- قلل فتح الباب إلى أدنى حد ممكن.
- عند فك تجميد الطعام المجمد، ضعه في الثلاجة. تعمل درجة الحرارة المنخفضة للمنتجات المجمدة على تبريد الطعام في الثلاجة.
- لا يؤثر وضع الأرفف في الثلاجة على كفاءة استخدام الطاقة.
- يجب وضع الطعام على الأرفف بهذه الطريقة لضمان التوزيع المناسب للهواء (يجب ألا يلمس الطعام بعضه بعضًا وتجب مراعاة ترك مسافة بين الطعام والجدار الخلفي).
- يجب استبدال الحشيات التالفة في أسرع وقت ممكن.
- قم بتركيب الجهاز في غرفة جافة جيدة التهوية بعيدًا عن أي مصدر حرارة (مثل المشعاع والموقد وما إلى ذلك) وفي مكان غير معرض لأشعة الشمس المباشرة. وإذا لزم الأمر، فاستخدم لوحًا عازلاً.
- لضمان التهوية الكافية، اتبع تعليمات التركيب.
- تؤدي التهوية غير الكافية للجزء الخلفي من المنتج إلى زيادة استهلاك الطاقة وانخفاض كفاءة التبريد.
- قد تتأثر درجات الحرارة الداخلية للجهاز بدرجة الحرارة المحيطة، وتكرار فتح الباب، بالإضافة إلى موقع الجهاز. لا بد من مراعاة هذه العوامل عند ضبط درجة الحرارة.
- دع الأطعمة والمشروبات الساخنة تبرد قبل وضعها في الجهاز.

التنظيف والصيانة

نصائح عامة

- قبل صيانة الجهاز أو تنظيفه، افصله عن التيار الرئيسي أو افصل مصدر إمداد الطاقة.
- قم بتنظيف الجهاز بانتظام باستخدام قطعة قماش ومحلول مكون من ماء دافئ ومنظف محايد مصمم خصيصًا للأجزاء الداخلية في الثلاجة. وتجنب استخدام المنظفات أو الأدوات الكاشطة.

تنبيه! احرص على عدم دخول الماء إلى غطاء المصباح، أو غطاء الشاشة الإلكترونية، أو أي أجزاء كهربائية أخرى.

تنبيه! يجب تجنب وضع ملحقات الثلاجة في غسالة الأطباق.

إذابة الثلج من حجرة الثلاجة

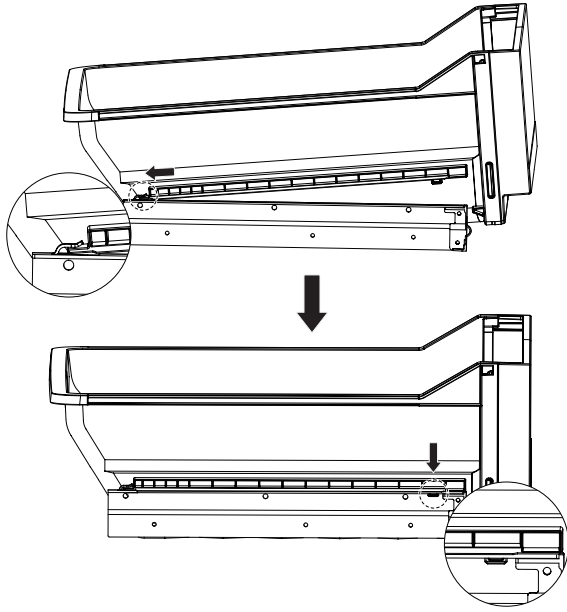
يأتي الجهاز مزودًا بخاصية إذابة الثلج تلقائيًا. لا حاجة لإذابة الثلج يدويًا.

إذابة الثلج من حجرة المجمد

يأتي الجهاز مزودًا بخاصية إذابة الثلج تلقائيًا. لن يتراكم الثلج على الجدران الداخلية أو الطعام في أثناء التشغيل. لا حاجة لإذابة الثلج يدويًا.

إذا لم تستخدم الجهاز لفترة طويلة

1. قم بإيقاف تشغيل الجهاز.
2. افصل الجهاز عن مصدر الطاقة.
3. أخرج كل الأطعمة.
4. نظف الجهاز.
5. اترك البابين مفتوحين بما يكفي للسماح بدوران الهواء داخل الحجيرتين. سيمنع ذلك تكون العفن والروائح الكريهة.



لإعادة تركيب درج الخضراوات، اتبع الخطوات التالية:

1. اسحب القاعدة بالكامل.
2. ضع الجزء الخلفي من الدرج على القاعدة، ثم أدخل اللسانين الخلفيين في فتحتي القاعدة.
3. أدخل اللسانين الأماميين في القاعدة.

تلميحات ونصائح

تلميحات لتبريد الطعام الطازج

- قم بتغطية الطعام أو تغليفه، خصوصًا إذا كان ذا نكهة قوية.
- ضع الطعام بحيث يتمكن الهواء من تخلله بحرية.
- للحصول على أداء أفضل، اترك مساحة كافية في حجرة الثلاجة لتدوير الهواء حول المنتجات المغلّفة. واطرك أيضًا مساحة كافية في الأمام حتى يمكن غلق الباب بإحكام.
- لا تُخزّن الطعام الدافئ أو السوائل التي تتبخر في الثلاجة.
- اللحوم (كل الأنواع): قم بتغليفها في عبوات مناسبة وضعها في الرف الزجاجي فوق درج الخضراوات. خزّن اللحوم لمدة يوم إلى يومين على الأكثر.
- الأطعمة المطبوخة والأطباق الباردة: قم بتغطيتها وضعها على أي رف.
- الفواكه والخضراوات: نظّفها جيدًا وضعها في درج الخضراوات. يجب عدم حفظ الموز والبطاطس والبصل والثوم في الثلاجة إذا لم يتم وضعها في وعاء.
- الزبد والجبن: قم بوضعهما في أوعية محكمة الغلق مخصّصة أو بتغليفهما برقائق ألومنيوم أو أكياس بوليثين لاستبعاد أكبر قدر ممكن من الهواء.
- الزجاجات: أغلقها بالأغطية وضعها في أرفف الباب.

تجميد الطعام الطازج

- كمية الطعام الطازج الذي يمكن تجميده في غضون 24 ساعة مبيّنة على لوحة التصنيف.
- لا تدع الطعام الطازج غير المجمّد يلمس الطعام المجمّد بالفعل لتفادي ارتفاع حرارة الآخر.
- ضع الطعام الطازج في منطقة التجميد في حجرة المجمّد مع ترك مساحة كافية بين الأطعمة لضمان تدوير الهواء بشكل جيد.
- قم بتغليف الطعام لحمايته من أي مياه أو رطوبة أو تكثيف؛ فسيمنع ذلك انتشار أي روائح في الثلاجة، مع ضمان تخزين أفضل للطعام المجمّد أيضًا.
- يتم تخزين الأطعمة منخفضة الدهون بصورة أفضل ولفترة أطول من الأطعمة كثيرة الدهون؛ يُقلّل الملح فترة تخزين الطعام.
- تجنب وضع طعام دافئ في الفريزر. يعمل تبريد الأطعمة الساخنة قبل التجميد على توفير الطاقة وإطالة عمر الجهاز.
- لا تعيد تجميد الطعام المذاب جزئيًا.

إزالة أدراج التجميد

اسحب الأدراج للخارج تمامًا، ثم ارفعها وأخرجها.

ملاحظات:

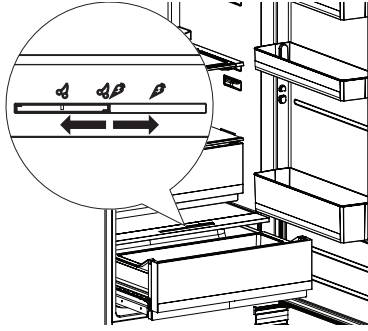
- لتحقيق أقصى استفادة من المساحة المتاحة، يمكنك استخدام حجرة التجميد بدون وضع الأدراج. ومع ذلك، كلما زادت كمية الطعام داخل الحجرة، زاد استهلاك الطاقة أيضًا.
- بعد وضع الطعام في الحجرة، تأكد من إغلاق باب حجرة المجمّد بشكل صحيح.

الاستخدام اليومي

- قد تتكوّن قطرات ماء داخل درج الخضراوات حسب نوع الطعام المخزّن وكميته. أزل قطرات الماء باستخدام قطعة قماش جافة واضبط مستوى رطوبة الهواء في درج الخضراوات باستخدام شريط التحكم في الرطوبة.

يوجد شريط التحكم في الرطوبة في الجزء الأمامي من غطاء درج الخضراوات.

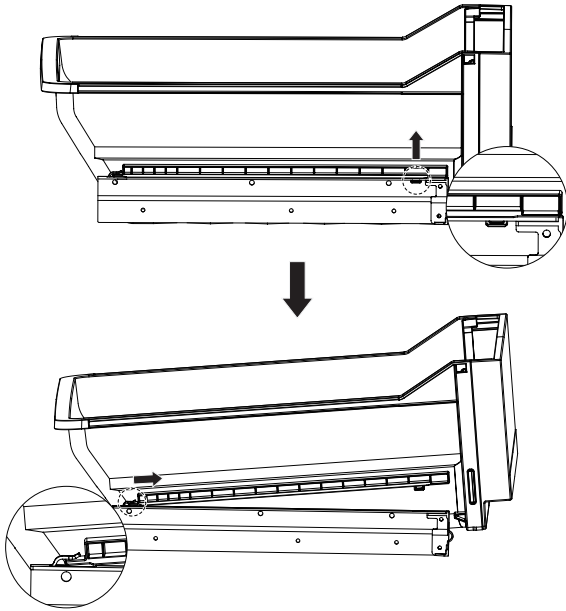
- لزيادة رطوبة الهواء، حرّك الشريط إلى اليمين.
- لتقليل رطوبة الهواء، حرّك الشريط إلى اليسار.



درج الخضراوات مُثبت على قاعدة منزلقة ويمكن إزالته من الجهاز.

لإزالة درج الخضراوات، اتبع الخطوات التالية:

1. اسحب الدرج بالكامل.
2. ارفع الجزء الأمامي من الدرج عن القاعدة.
3. اسحب الدرج بعيداً عن القاعدة.



درج درجة الحرارة المنخفضة

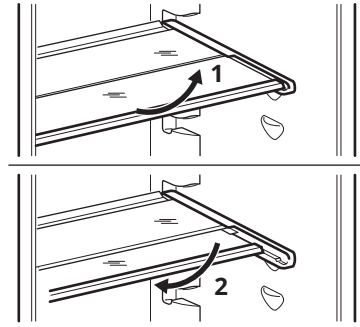
- درج درجة الحرارة المنخفضة هو أبرد منطقة في حجرة الثلاجة. يحافظ على درجة حرارة تقل عن درجة الحرارة المضبوطة بمقدار درجة أو درجتين مئويتين.
- خزّن الأطعمة القابلة للتلف مثل الأسماك والنقانق واللحوم في هذا الدرج، لكي تبقى طازجة لمدة أطول. **ملاحظات:** يُوصى بتخزين اللحوم الطازجة في هذا الدرج لمدة لا تزيد عن يومين للحفاظ على جودتها.

رف زجاجي قابل للسحب

تحتوي حجرة الثلاجة في هذا الجهاز على رف زجاجي قابل للسحب. يمكن وضع النصف الأمامي من الرف أمام النصف الخلفي أو أسفله ليتناسب مع احتياجاتك.

لطي الرف:

1. أخرج النصف الأمامي برفق.
2. ثم أدخله في المسار السفلي وضعه أسفل النصف الخلفي.



درج الخضراوات المزود بشريط تحكم في الرطوبة

درج الخضراوات هو المكان الأمثل لتخزين الفواكه والخضراوات الطازجة. يمكنك ضبط رطوبة الهواء في درج الخضراوات باستخدام شريط التحكم في الرطوبة. يسمح ذلك بتخزين الفواكه والخضراوات الطازجة لمدة أطول بمرتين مقارنة بالتخزين التقليدي.

يمكن ضبط مستوى رطوبة الهواء في درج الخضراوات حسب نوع المنتجات المخزنة وكميتها:

المنتجات	رطوبة الهواء المُقترحة
معظم المنتجات من الفواكه أو كمية كبيرة من الطعام	درجة رطوبة أقل
معظم المنتجات من الخضراوات أو كمية مختلطة من الطعام أو كمية قليلة من الطعام	درجة رطوبة أعلى

ملاحظات:

- يجب تخزين الفواكه التي تتأثر بالبرودة (مثل الأناناس والموز والبابايا والفواكه الحمضية) والخضراوات الحساسة للبرودة (مثل الباذنجان والخيار والكوسا والفلفل والطماطم والبطاطا) خارج الثلاجة عند درجات حرارة تتراوح بين 8 و12 درجة مئوية للحفاظ على جودتها ونكهتها بأفضل شكل ممكن.

تلميحات:

- لا يمكن تعديل درجات حرارة الثلاجة والمجمّد عندما يكون الجهاز في وضع الإجازة.
- كلما انخفضت درجة الحرارة التي تم ضبطها، كلما تمكنت من تخزين طعامك بأمان لفترة أطول وزاد مقدار الكهرباء التي يستهلكها الجهاز.
- وكلما ارتفعت درجة الحرارة المحددة، كلما تحلل الطعام المُخزّن بشكل أسرع وانخفض استهلاك الجهاز للكهرباء.

وضع التبريد الفائق

- ملاحظات:** صُممت وظيفة التبريد الفائق خصوصًا لتبريد الأطعمة الموضوعة حديثًا في حجرة الثلاجة بسرعة، إذا كانت لديك كمية كبيرة من الأطعمة الدافئة، كما في حالة ما بعد تسوق مواد البقالة، فيوصى بتفعيل وظيفة التبريد الفائق. باتباع ذلك، يمكنك ضمان التبريد السريع للمنتجات وتقليل ارتفاع درجة الحرارة، وبالتالي إطالة أمد حفظ جميع المواد الغذائية الأخرى في الداخل بشكل فعال.
- لتشغيل الجهاز في وضع التبريد الفائق، اضغط مع الاستمرار على زر درجة حرارة الثلاجة (❏) لمدة 5 ثوانٍ. يومض مؤشر وضع التبريد الفائق (≡) ويعرض الجهاز درجة الحرارة "2 درجة مئوية" على الشاشة. يبدأ هذه الوضع في العمل عندما يتوقف المؤشر عن الوميض.
 - يخرج الجهاز تلقائيًا من وضع التبريد الفائق بعد 6 ساعات من استخدامه أو عند وصول درجة حرارة الثلاجة إلى 2 درجة مئوية. لإنهاء هذا الوضع قبل ذلك، اضغط على زر درجة حرارة الثلاجة (❏).

وضع التجميد الفائق

- ملاحظات:** تم تصميم وظيفة التجميد الفائق للحفاظ على القيمة الغذائية للأطعمة في حجرة المجمد. ويمكن تجميد الطعام في أقصر وقت. في حال تجميد كمية كبيرة من الطعام في الوقت نفسه أو ضرورة تجميد الطعام بسرعة، يوصى بتشغيل وظيفة التجميد الفائق ووضع الطعام داخل المجمد، وستزداد سرعة تجميد حجرة المجمد في هذا الوقت. يزداد استهلاك الطاقة عندما تكون الوظيفة قيد التشغيل.
- لتشغيل الجهاز في وضع التجميد الفائق، اضغط مع الاستمرار على زر درجة حرارة المجمد (❏) لمدة 5 ثوانٍ. يومض مؤشر وضع التجميد الفائق (≡) ويعرض الجهاز درجة الحرارة "24- درجة مئوية" على الشاشة. يبدأ هذه الوضع في العمل عندما يتوقف المؤشر عن الوميض.
 - سيتم إيقاف وضع التجميد الفائق تلقائيًا بعد مرور 40 ساعة من تفعيله. لإيقاف هذا الوضع قبل ذلك، اضغط على زر درجة حرارة المجمد (❏).

وضع الإجازة

- قبل ترك الجهاز دون استخدام لفترة طويلة، يمكنك ضبطه على وضع الإجازة لتوفير استهلاك الطاقة. في وضع الإجازة، لا يقوم الجهاز بتبريد حجرة الثلاجة، بل يحافظ على درجة حرارة حجرة المجمد عند 20- درجة مئوية.

ملاحظات:

- لا تُخزّن أي طعام في حجرة الثلاجة عندما يكون الجهاز في وضع الإجازة. اترك باب الثلاجة مفتوحًا بما يكفي للسماح بدوران الهواء داخل الحجرة. سيمنع ذلك تكون العفن والروائح الكريهة.
- يتم تعطيل زر درجة حرارة الثلاجة (❏) وزر درجة حرارة المجمد (❏) عند تشغيل الجهاز في وضع الإجازة.
- لتشغيل الجهاز في وضع الإجازة، اضغط مع الاستمرار على زر وضع الإجازة (⏻) لمدة 3 ثوانٍ. يومض مؤشر وضع الإجازة (⏻) ويعرض الجهاز درجة الحرارة "20- درجة مئوية" على الشاشة. يبدأ هذه الوضع في العمل عندما يتوقف المؤشر عن الوميض.
- لإيقاف وضع الإجازة، اضغط مع الاستمرار على زر وضع الإجازة (⏻) لمدة 3 ثوانٍ. يتم إيقاف تشغيل مؤشر وضع الإجازة (⏻).

وظيفة الذاكرة

- يحتوي الجهاز على وظيفة ذاكرة تكون مفعّلة في معظم الحالات. إذا قمت بإيقاف تشغيل الجهاز أو فصله عن الكهرباء، أو في حال انقطاع التيار الكهربائي، فسيستطيع الجهاز عمله باستخدام آخر الإعدادات المستخدمة بعد إعادة تشغيله. وبالمثل، سيستمر الجهاز في العمل، بعد الخروج من وضع التبريد الفائق أو التجميد الفائق أو الإجازة، باستخدام الإعدادات المستخدمة قبل دخوله إلى هذا الوضع.

ملاحظات:

- لن يتذكر الجهاز الوقت الذي مضى في وضع التبريد الفائق أو التجميد الفائق. لذلك، إذا عاد الجهاز إلى وضع التبريد السريع بعد إعادة تشغيله على سبيل المثال، فسوف يعمل هذا الوضع دائمًا مدة 6 ساعات قبل الخروج منه تلقائيًا.
- لن يقوم الجهاز بتفعيل وظيفة الذاكرة إلا بعد تشغيله بشكل مستمر لأكثر من 30 دقيقة. لذلك، إذا قمت بإيقاف تشغيل الجهاز بعد أن عمل بشكل مستمر لأقل من 30 دقيقة، فلن يتذكر الإعدادات الأخيرة التي استخدمتها.

فتح الباب وغلقه

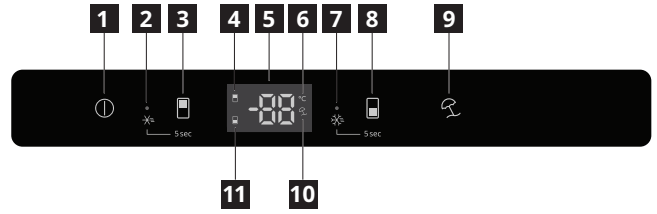
- يضيء مصباح LED داخل حجرة الثلاجة عند فتح باب الثلاجة، وينطفئ عند غلق الباب.
- تُضيء شاشة LCD وجميع المؤشرات ذات الصلة عند فتح باب الثلاجة، وتنطفئ بعد 15 ثانية من إغلاق الباب.

تنبيه الباب المفتوح

- إذا ظل باب الثلاجة مفتوحًا لأكثر من 120 ثانية، فسيصدر تنبيه فتح الباب. لإيقاف التنبيه، أغلق الباب المفتوح أو اضغط على أي زر.
- إذا أوقفت التنبيه عن طريق الضغط على أحد الأزرار وظل الباب مفتوحًا، فسيعود التنبيه للعمل مرة أخرى بعد 120 ثانية. إذا تركت الباب مفتوحًا لأكثر من 15 دقيقة، فسيقوم الجهاز بإيقاف التنبيه وإطفاء مصباح LED، ويستمر في العمل بشكل طبيعي.
- **ملاحظات:** يتم تعطيل تنبيه فتح الباب عندما يكون الجهاز في وضع الإجازة.

التشغيل

لوحة التحكم



- 1 زر التشغيل/إيقاف التشغيل
- 2 مؤشر وضع التبريد الفائق
- 3 زر درجة حرارة الثلاجة
- 4 مؤشر الثلاجة
- 5 شاشة LCD
- 6 مؤشر وحدة درجة الحرارة
- 7 مؤشر وضع التجميد الفائق
- 8 زر درجة حرارة المجمد
- 9 زر وضع الإجازة
- 10 مؤشر وضع الإجازة
- 11 مؤشر المجمد

ملاحظات: لا تستخدم أدوات حادة لتشغيل لوحة التحكم. قد يؤدي استخدامها إلى خدش لوحة التحكم أو إتلافها.

التشغيل

عند توصيل قابس التيار الرئيسي بمقبس الطاقة، يتم تشغيل الجهاز، ويصدر صوت رنين، ويبدأ في العمل باستخدام الإعدادات الافتراضية أو آخر إعدادات تم استخدامها.

إيقاف التشغيل

- لإيقاف تشغيل الجهاز، اضغط مع الاستمرار على زر التشغيل/إيقاف التشغيل (⏻) لمدة 10 ثوانٍ. يقوم الجهاز بإيقاف تشغيل لوحة التحكم ويتوقف عن التشغيل. **ملاحظات:** عند إيقاف تشغيل الجهاز، يتم تعطيل جميع أزرار لوحة التحكم باستثناء زر التشغيل/إيقاف التشغيل (⏻). عند الضغط على أي زر مُعطل، يُصدر الجهاز صوت رنين.
- لتشغيل الجهاز مرة أخرى، اضغط مع الاستمرار على زر التشغيل/إيقاف التشغيل (⏻) لمدة 10 ثوانٍ. يقوم الجهاز بتشغيل لوحة التحكم ويستأنف عمله.
- لفصل الجهاز من مصدر إمداد الطاقة، افصل قابس التيار الرئيسي من مقبس الطاقة.

الشاشة

- بعد توصيل الجهاز بمصدر الطاقة، ستضيء شاشة LCD بالكامل وجميع المؤشرات لمدة 3 ثوانٍ. ثم تبدأ الشاشة بعرض درجة الحرارة المحددة لحجيرة الثلاجة بالدرجة المئوية.
- لعرض درجة الحرارة المحددة لحجيرة المجمد، اضغط على زر درجة حرارة المجمد (❄️). سيضيء مؤشر المجمد (❄️).
- لعرض درجة الحرارة المحددة لحجيرة الثلاجة مرة أخرى، اضغط على زر درجة حرارة الثلاجة (❄️). سيضيء مؤشر الثلاجة (❄️).

- إذا كان الباب مغلقاً ولم تضغط على أي زر، فسيتم إيقاف تشغيل شاشة LCD وجميع المؤشرات ذات الصلة خلال 15 ثانية. لإعادة تشغيلها، اضغط على أي زر أو افتح الباب.
- في حال حدوث عطل معروف، يعرض الجهاز أحد رموز الخطأ التالية على شاشة العرض (LCD) ويُصدر صوت تنبيه. لإيقاف صوت التنبيه، اضغط على أي زر.

رمز الخطأ	العطل
E1	تعطل مستشعر درجة حرارة الثلاجة
E2	تعطل مستشعر درجة حرارة المجمد
E5	تعطل مستشعر درجة حرارة فك التجميد بالمجمد
E7	تعطل مستشعر درجة الحرارة المحيطة
E6	خلل في الاتصال الداخلي

ملاحظات: في حال ظهور أحد رموز الخطأ هذه، يُرجى الاتصال بمركز خدمة معتمد للحصول على المساعدة.

ضبط درجات الحرارة

درجات الحرارة الموصى بها

حجرة الثلاجة: +5 درجات مئوية (إعداد المصنع)
حجيرة المجمد: -20 درجة مئوية (إعداد المصنع)

عند توصيل الجهاز بالكهرباء لأول مرة، يتم ضبط درجات الحرارة على درجات الحرارة الافتراضية التي حددها المصنع. عند توصيل الجهاز بالكهرباء أو تشغيله مرة أخرى، فإنه يضبط درجات الحرارة على آخر درجة حرارة تم ضبطها، ما لم تكن وظيفة الذاكرة مُعطلة.

- لضبط درجة حرارة الثلاجة، اضغط على زر درجة حرارة الثلاجة (❄️) للتنقل بين درجات الحرارة المتاحة (من 2 درجة مئوية إلى 8 درجات مئوية) حتى تظهر درجة الحرارة المطلوبة على الشاشة.

يوميض مؤشر الثلاجة (❄️) في أثناء الضبط ويتوقف عن الوميض عند تفعيل درجة الحرارة المحددة.



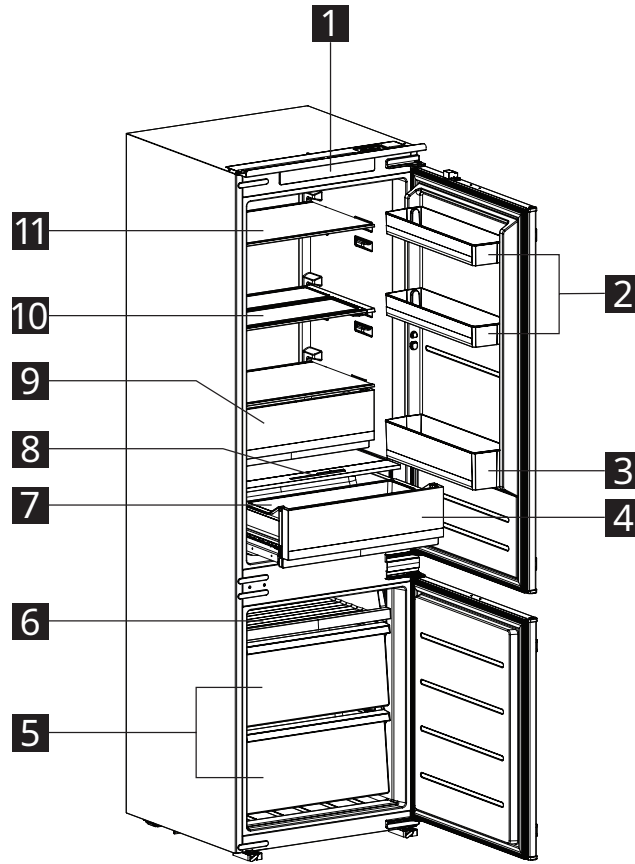
- لضبط درجة حرارة المجمد، اضغط على زر درجة حرارة المجمد (❄️) للتنقل بين درجات الحرارة المتاحة (من -24 درجة مئوية إلى -16 درجة مئوية) حتى تظهر درجة الحرارة المطلوبة على الشاشة.

يوميض مؤشر المجمد (❄️) في أثناء الضبط ويتوقف عن الوميض عند تفعيل درجة الحرارة المحددة.



وصف المنتج

نظرة عامة على المنتج



- 7 صينية منزلة
- 8 شريط التحكم في الرطوبة
- 9 درج درجة الحرارة المنخفضة
- 10 رف زجاجي قابل للسحب
- 11 رف زجاجي

- 1 لوحة التحكم
- 2 أرفف الباب
- 3 رف الزجاجات
- 4 درج الخضراوات
- 5 أدراج المجمد
- 6 صينية المجمد

الاستخدام الأول

ملاحظات: بعد التشغيل، يحتاج الجهاز من 4 إلى 5 ساعات للوصول إلى درجة الحرارة الصحيحة لتخزين الكمية المعتادة من الطعام.

قم بتوصيل الجهاز بمصدر إمداد الطاقة. تم ضبط درجات الحرارة المثالية لتخزين الطعام بالفعل على إعدادات المصنع (متوسطة).

الاستخدام

- قد يصبح سطح الضاغط ساخناً في أثناء التشغيل العادي. لا تلمسه بيديك.
- لا تُغيّر مواصفات هذا الجهاز.
- لا تضع الأجهزة الكهربائية (على سبيل المثال أجهزة تصنيع الأيس كريم) داخل الجهاز ما لم تذكر الشركة المصنعة ذلك.
- إذا حدث تلف في دائرة التبريد الكهربائية، فتأكد من عدم وجود ألسنة لهب أو مصادر إشعال في الغرفة. وقم بتهوية الغرفة.
- لا تترك أفراساً ساخنة تتلامس مع الأجزاء البلاستيكية في الجهاز.
- لا تُخزّن المشروبات المعبأة في حجرة الفريزر لتجنب حدوث انفجار أو أي خسائر أخرى.
- لا تُخزّن الغازات والسوائل القابلة للاشتعال في الجهاز.
- لا تضع المنتجات القابلة للاشتعال أو العناصر المبللة بمنتجات قابلة للاشتعال في الجهاز أو بالقرب منه أو فوقه.
- لا تلمس الضاغط أو المكثف. فإنه ساخن.
- لا تقم بإزالة أو لمس العناصر التي تخرج من حجرة الأطعمة المجمدة إذا كانت يداك مبللتين أو رطبتين.
- لا تبلع محتويات أكياس الثلج (غير السامة).
- تجنب تناول مكعبات الثلج أو الثلجات فور إخراجها من الفريزر لأنها قد تسبب حروقاً باردة.
- يجب عدم وضع الطعام المذاب عنه الثلج في حجرة الأطعمة المجمدة.
- اتبع تعليمات التخزين المدوّنة على تغليف الطعام المجمّد.

الإضاءة الداخلية

⚠ **تحذير!** خطر حدوث صدمة كهربائية.

- المصباح المستخدم داخل الجهاز مصمم خصيصاً للأجهزة المنزلية وليس مناسباً لإضاءة الغرف بشكل عام داخل المنزل.

العناية والتنظيف

- ⚠ **تحذير!** خطر التعرض للإصابة أو إحداء تلف بالجهاز.
- قبل إجراء أعمال الصيانة، أوقف تشغيل الجهاز وافصل قابس التيار الرئيسي من مقبس التيار الرئيسي.
 - يحتوي هذا الجهاز على هيدروكربونات في وحدة التبريد. لا يمكن إلا لشخص مؤهل إجراء الصيانة وإعادة شحن الوحدة.

الخدمة

- لإصلاح الجهاز، اتصل بمركز الخدمة المعتمد.
- لا تستخدم سوى قطع الغيار الأصلية.

التخلّص من المنتج

⚠ **تحذير!** خطر التعرّض للإصابة أو الاختناق.

- افصل الجهاز عن مصدر التيار الرئيسي.
- اقطع كابل التيار الرئيسي وتخلص منه.
- أزل الأبواب لتجنب احتجاز الأطفال والحيوانات الأليفة داخل الجهاز.
- دائرة التبريد الكهربائية ومواد العزل الموجودة بهذا الجهاز غير ضارة بالأوزون.
- تحتوي الرغوة العازلة على غاز قابل للاشتعال. اتصل بالسلطة المحلية التي تتبعها للحصول على معلومات حول كيفية التخلص من الجهاز بطريقة صحيحة.
- لا تتسبب في إحداء تلف بأي جزء من أجزاء وحدة التبريد الموجودة بالقرب من المبادل الحراري.

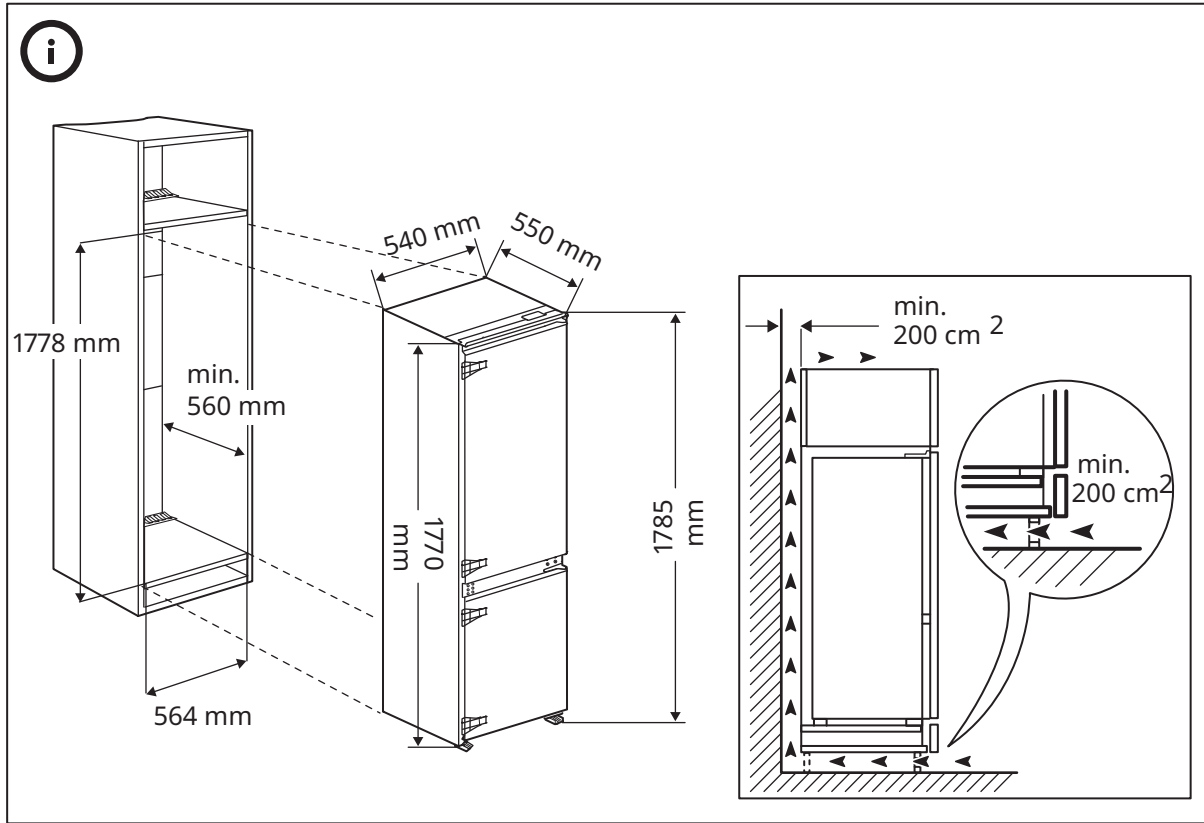
لا تتحمل الشركة المصنعة أي مسؤولية عن إصابة الأشخاص أو الحيوانات أو الأضرار التي تلحق بالمتلكات في حالة عدم اتباع النصائح والاحتياطات المذكورة أعلاه.

التوصيل الكهربائي

- ⚠ **تحذير!** خطر نشوب حريق أو التعرّض لصدمة كهربائية.
- ⚠ **تحذير!** عند وضع الجهاز، احرص على ألا يكون سلك إمداد الطاقة عالقًا أو تالفًا.
- ⚠ **تحذير!** لا تستخدم مهايئات بمقابس متعددة أو كابلات تمديد.
- يجب تأريض الجهاز.
- تأكد من أن المعلمات على لوحة القياس متوافقة مع القياسات الكهربائية لمصدر إمداد طاقة التيار الرئيسي.
- استخدم دائمًا مقبَسًا مقاومًا للصدمات مثنيتًا بشكل صحيح.
- تأكد من عدم إحداث تلف في المكونات الكهربائية (على سبيل المثال قابس التيار الرئيسي، وكابل التيار الرئيسي، والضاغط).
- اتصل بمركز خدمة معتمد أو بكهربائي لتغيير المكونات الكهربائية.
- يجب أن يظل كابل التيار الرئيسي أسفل مستوى قابس التيار الرئيسي.
- لا توصّل قابس التيار الرئيسي بمقبس التيار الرئيسي إلا بعد انتهاء التركيب. تأكد من سهولة الوصول إلى قابس التيار الرئيسي بعد التركيب.
- لا تسحب كابل التيار الرئيسي لفصل الجهاز. اسحب قابس التيار الرئيسي فقط.

- احرص على عدم إتلاف الأرضيات (مثل الباركيه) عند تحريك الجهاز.
- تأكد من أن الجهاز ليس قريبًا من مصدر حرارة.
- قم بتركيب الجهاز واجعله في وضعية مستوية على أرضية قوية بما يكفي لتحمل وزنه وفي مكان مناسب لحجمه واستخدامه.
- تأكد من إمكانية تدوير الهواء حول الجهاز.
- عند التركيب للمرة الأولى أو بعد عكس اتجاه الباب، انتظر 4 ساعات على الأقل قبل توصيل الجهاز بمصدر إمداد الطاقة. وذلك للسماح بتدفق الزيت مرة أخرى في الضاغط.
- قبل القيام بأي عمليات على الجهاز (مثل، عكس اتجاه الباب)، انزع القابس من مقبس الطاقة.
- لا تُركّب الجهاز في مكان معرّض لضوء الشمس المباشر.
- لا تُركّب هذا الجهاز في مناطق عالية الرطوبة أو عالية البرودة مثل مخازن المشروبات.
- رُكّب هذا الجهاز في مكان تتوافق فيه درجة الحرارة المحيطة مع الفئة المناخية الموضحة على لوحة التصنيف في الجهاز. يضمن ذلك تشغيل الجهاز بصورة صحيحة. فيما يلي توضيح للفئات المناخية:
- تشير الفئة المناخية "SN" إلى أنّ جهاز التبريد مخصّص للاستخدام في درجات الحرارة المحيطة التي تتراوح بين 10 درجات مئوية و32 درجة مئوية.
- تشير الفئة المناخية "N" إلى أنّ جهاز التبريد مخصّص للاستخدام في درجات الحرارة المحيطة التي تتراوح بين 16 درجات مئوية و32 درجة مئوية.
- تشير الفئة المناخية "ST" إلى أنّ جهاز التبريد مخصّص للاستخدام في درجات الحرارة المحيطة التي تتراوح بين 16 درجات مئوية و38 درجة مئوية.
- تشير الفئة المناخية "T" إلى أنّ جهاز التبريد مخصّص للاستخدام في درجات الحرارة المحيطة التي تتراوح بين 16 درجات مئوية و43 درجة مئوية.
- **تحذير:** قد لا تعمل أجهزة التبريد بشكل منتظم (احتمالية إذابة المحتويات أو ارتفاع درجة الحرارة بشكل كبير في حجرة الأظعمة المجمدة) عند وضعها لفترات طويلة في درجة حرارة أقل من الحد الأدنى لنطاق درجات الحرارة المصممة لها أجهزة التبريد.

- إذا تُرك جهاز التبريد فارغًا لفترات طويلة، فأوقف تشغيله وتخلص من الثلج ونظفه ثم جفّفه، وبعدها اترك الباب مفتوحًا لمنع نمو العفن داخل الجهاز.
- تُعدّ حجرات الطعام المجمد ذات النجمتين مناسبة لتخزين الطعام المجمد مسبقًا وتخزين الثلجات أو إعدادها وإعداد مكعبات الثلج.
- لا تُعدّ الحجرات ذات النجمة الواحدة والنجمتين والثلاث نجومات مناسبة لتجميد الطعام الطازج.
- نظّف الأسطح التي من الممكن أن تلامس الطعام وأنظمة التصريف التي يمكن الوصول إليها بانتظام.
- نظف خزانات المياه إذا لم يتم استخدامها لمدة 48 ساعة؛ اغسل نظام المياه المتصل بمصدر إمداد المياه إذا لم يتم سحب المياه لمدة 5 أيام.
- خزن اللحوم والأسماك النيئة في حاويات مناسبة في الثلاجة، حتى لا تلامس الطعام الآخر أو تقطر عليه.



تعليمات السلامة

- أزل جميع مواد التغليف.
- لا تُركّب جهازًا تالفًا، أو تستخدمه.
- اتبع تعليمات التركيب المرفقة مع الجهاز.
- توخ الحذر دائمًا عند تحريك الجهاز لأنه ثقيل الوزن. احرص دائمًا على استخدام قفازات الأمان وحذاء يغطي القدمين بالكامل.

التركيب

- يجب التعامل مع الجهاز وتركيبه بواسطة شخصين أو أكثر.
- يجب أن يتم التركيب والصيانة، بما في ذلك استبدال سلك التيار الكهربائي من قبل الشركة المصنعة أو فني مؤهل، بما يتوافق مع تعليمات الشركة المصنعة ولوائح السلامة المحلية المعمول بها. لتجنب حدوث خطر، لا تقم بإصلاح أي جزء من الجهاز أو استبداله، بما في ذلك سلك الإمداد، ما لم يرد ذلك على وجه التحديد في دليل المستخدم.

جدول المحتويات

13	تلميحات ونصائح	5	معلومات تتعلق بالسلامة
14	التنظيف والصيانة	6	تعليمات السلامة
15	استكشاف الأخطاء وإصلاحها	9	وصف المنتج
16	المعلومات الفنية	9	الاستخدام الأول
17	المخاوف البيئية	10	التشغيل
17	ضمان IKEA	12	الاستخدام اليومي

معلومات تتعلق بالسلامة

- **تحذير:** احرص على عدم انسداد فتحات التهوية في غطاء الجهاز أو الهيكل المدمج.
- **تحذير:** لا تستخدم الأجهزة الميكانيكية أو وسائل أخرى لتسريع عملية إذابة الثلوج، بخلاف تلك الوسائل التي توصي بها الشركة المصنعة.
- **تحذير:** تجنب إتلاف دائرة التبريد الكهربائية.
- **تحذير:** لا تستخدم الأجهزة الكهربائية داخل حجرات تخزين الطعام في الجهاز، إلا إذا كانت من النوع الذي توصي به الشركة المصنعة.
- **تحذير:** لا تستخدم رذاذ الماء والبخار لتنظيف الجهاز.
- **تحذير:** قم بتنظيف الجهاز باستخدام قطعة قماش ناعمة رطبة. لا تستخدم سوى المنظفات المحايدة. لا تستخدم المنتجات الكاشطة، أو قطع التنظيف الكاشطة، أو الأشياء المعدنية.
- **تحذير:** لا تُخزن مواد متفجرة، مثل عبوات الأيروسول التي تحتوي على مادة دافعة قابلة للاشتعال في هذا الجهاز.
- **تحذير:** في حالة تلف سلك توصيل الكهرباء، يجب استبداله بواسطة الشركة المصنعة أو وكيل الخدمة المعتمد منها أو الأشخاص المؤهلين تأهيلاً مماثلاً لتفادي وقوع أي خطر.
- **تحذير:** عند وضع الجهاز، احرص على ألا يكون سلك إمداد الطاقة عالفاً أو تالفاً.
- **تحذير:** لا تضع عدة منافذ كهربائية محمولة أو **تحذير:** لتجنب المخاطر الناتجة عن عدم ثبات الجهاز، يجب تثبيته حسب التعليمات.
- يأتي الجهاز مزوداً بمصباح للإضاءة الداخلية. ولا يُسمح إلا لمسؤولي الصيانة باستبدال جهاز الإضاءة.
- افصل قابس التيار الرئيسي من مقبس التيار قبل تنظيف الجهاز أو صيانته أو تركيبه أو إصلاحه.
- مصادر طاقة محمولة في الجزء الخلفي من الجهاز. يمكن أن يؤدي فتح باب الجهاز لفترات طويلة إلى ارتفاع كبير في درجة الحرارة داخل حجرات الجهاز.

قبل تركيب الجهاز واستخدامه، يتعين عليك قراءة الإرشادات المرفقة بعناية. الشركة المصنعة غير مسؤولة إذا تسبب التركيب أو الاستخدام غير الصحيح في إحداث إصابات أو أضرار. ويتعين عليك الاحتفاظ بهذه الإرشادات دائماً مع الجهاز لاستخدامها كمرجع مستقبلي.

سلامة الأطفال والأشخاص الضعفاء

- هذا الجهاز غير مُعدّ للاستخدام من قبل الأشخاص (بما فيهم الأطفال) الذين يعانون من قصور في القدرات البدنية أو العقلية أو قصور في الخبرة والمعرفة، إلا إذا كان ذلك تحت إشراف أو توجيه مخصص لاستخدام الجهاز من شخص مسؤول عن سلامتهم.
- يجب مراقبة الأطفال للتأكد من عدم لعبهم بالجهاز.
- احتفظ بجميع مواد التغليف بعيداً عن متناول الأطفال وتخلص منها بطريقة مناسبة.

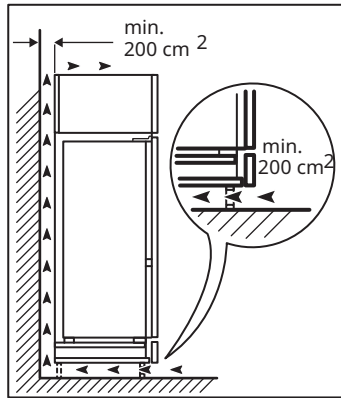
السلامة العامة

- هذا الجهاز مصمم للاستخدام المنزلي والأماكن المشابهة مثل:
 - مساحات مطبخ الموظفين في المحلات والمكاتب وبيئات العمل الأخرى؛
 - المنازل الملحقة بالمزارع ولدى العملاء في الفنادق والاستراحات وغيرها من البيئات السكنية؛
 - بيئات النوم وتناول الإفطار؛
 - المطاعم والأماكن المماثلة غير المخصصة للبيع بالتجزئة.

تحذير! خطر نشوب حريق/مواد قابلة للاشتعال.

تحتوي أنابيب دائرة التبريد الكهربائية على كمية صغيرة من مادة التبريد R600a الصديقة للبيئة ولكنها قابلة للاشتعال. لا تتسبب مادة التبريد في الإضرار بطبقة الأوزون ولا يزيد من تأثير الاحتباس الحراري. في حالة تسرب مادة التبريد، قد يتسبب ذلك في إصابة عينيك أو اشتعالها. تجنب إتلاف الأنابيب.





www.ikea.com



5
ENGLISH

العربية
4

ÖVERNÄS

ar

en



Design and Quality
IKEA of Sweden