

ENGLISH

5

5

العربية

TABLE OF CONTENTS

Safety information	5	Specifications.....	15
Product description	9	Installation and connection	16
Control panel.....	10	Environmental concerns	16
Using the microwave oven	11	Ikea guarantee	17
Trouble shooting.....	15		

Safety information

⚠ **WARNING! PRECAUTIONS TO AVOID POSSIBLE EXPOSURE TO EXCESSIVE MICROWAVE ENERGY**

For your safety

- Do not attempt to operate this oven with the door open since this can result in harmful exposure to microwave energy. It is important not to break or tamper with the safety interlocks.
- Do not place any object between the oven front face and the door or allow soil or cleaner residue to accumulate on sealing surfaces.

- ⚠ **WARNING!** If the door or door seals are damaged, the oven must not be operated until it has been repaired by a qualified technician.

IMPORTANT SAFETY INSTRUCTIONS

WARNING

To reduce the risk of fire, electric shock, injury to persons or exposure to excessive microwave oven energy when using your appliance, follow basic precautions, including the following:

- Read and follow the specific: **"PRECAUTIONS TO AVOID POSSIBLE EXPOSURE TO EXCESSIVE MICROWAVE ENERGY"**.
- This device can be used by children aged 8 and older, and by individuals with reduced physical, sensory, or mental capabilities, or those lacking experience or knowledge, provided they are given proper instructions on the safe use of the device and understand the associated risks.

- Keep the appliance and its cord out of reach of children less than 8 years.
- If the supply cord is damaged, it must be replaced by the manufacturer, its service agent or similarly qualified persons in order to avoid a hazard.

- ⚠ **WARNING:** It is hazardous for anyone other than a competent person to carry out any service or repair operation that involves the removal of a cover which gives protection against exposure to microwave energy.
- When heating food in plastic or paper containers, keep an eye on the oven due to the possibility of ignition.
- Only use utensils that are suitable for use in microwave ovens.
- If smoke is emitted, switch off or unplug the appliance and keep the door closed in order to stifle any flames.
- Microwave heating of beverages can result in delayed eruptive boiling, therefore care must be taken when handling the container.
- The contents of feeding bottles and baby food jars shall be stirred or shaken and the temperature checked before consumption, in order to avoid burns.
- Eggs in their shell and whole hard-boiled eggs should not be heated in microwave ovens since they may explode, even after microwave heating has ended.
- The oven should be cleaned regularly and any food deposits removed.
- Failure to maintain the oven in a clean condition could lead to deterioration of the surface that could adversely affect the

life of the appliance and possibly result in a hazardous situation.

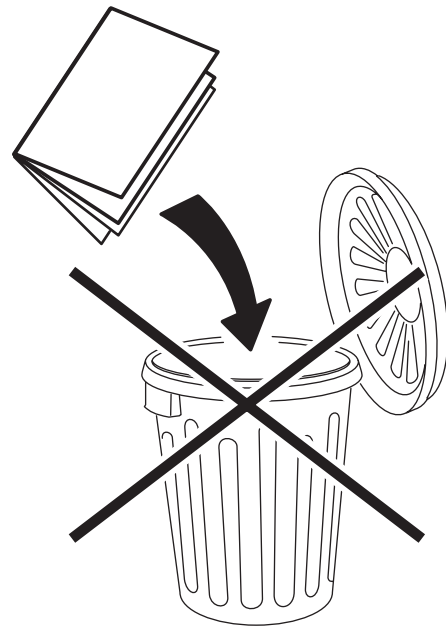
- The appliance must not be installed behind a decorative door in order to avoid overheating.
- Only use the temperature probe recommended for this oven. (For ovens provided with a facility to use a temperature-sensing probe.)
- The microwave oven must be operated with the decorative door open. (For ovens with a decorative door.)
- This appliance is intended to be used in household and similar applications such as:
 - staff kitchen areas in shops, offices and other working environments;
 - by clients in hotels, motels and other residential type environments;
 - farm houses;
 - bed and breakfast type environments.
- The microwave oven is intended for heating food and beverages. Drying of food or clothing and heating of warming pads, slippers, sponges, damp cloth and similar may lead to risk of injury, ignition or fire. Metallic containers for food and beverages must not be used as they may ignite.
- The appliance shall not be cleaned with a steam cleaner.
- The microwave oven is intended to be used built-in.
- The rear surface of appliances shall be placed against a wall.
- The appliances are not intended to be operated by means of an external timer or separate remote-control system.
- The temperature of accessible surfaces may be high when the appliance is operating.

⚠ WARNING: When the appliance is operated in the combination mode, children should only use the oven under adult supervision due to the temperatures generated.

⚠ WARNING: To prevent burns, please do not touch the microwave while it is running.

SAVE THESE INSTRUCTIONS

READ CAREFULLY AND KEEP FOR FUTURE REFERENCE.



- **WARNING:** Ensure that the cavity does not contain any items or utensils that are not suitable for the use with the microwave oven before you operate the appliance.
- **WARNING:** Do not use the cavity for storing combustible products, cooking utensils, or food and similar when the microwave oven is not in use.

TO REDUCE THE RISK OF INJURY TO PERSONS GROUNDING INSTALLATION

⚠ DANGER

Electric Shock Hazard

Touching some of the internal components can cause serious personal injury or death. Do not disassemble this appliance.

⚠ WARNING!

Electric Shock Hazard

Improper use of the grounding can result in electric shock. Do not plug into an outlet until appliance is properly installed and grounded.

This appliance must be grounded. In the event of an electrical short circuit, grounding reduces the risk of electric shock by providing an escape wire for the electric current. This appliance is equipped with a cord having a grounding wire with a grounding plug. The plug must be plugged into an outlet that is properly installed and grounded.

Consult a qualified electrician or serviceman if the grounding instructions are not completely understood or if doubt exists as to whether the appliance is properly grounded. If it is necessary to use an extension cord, use only a 3-wire extension cord.

- A short power-supply cord is provided to reduce the risks resulting from becoming entangled in or tripping over a longer cord.
- If a long cord set or extension cord is used:
 - The marked electrical rating of the cord set or extension cord should be at least as great as the electrical rating of the appliance.
 - The extension cord must be a grounding-type 3-wire cord.
 - The long cord should be arranged so that it will not drape over the counter top or tabletop where it can be pulled on by children or tripped over unintentionally.

CLEANING

Be sure to unplug the appliance from the power supply.

- Clean the cavity of the oven after using with a slightly damp cloth.
- Clean the accessories in the usual way in soapy water.
- The door frame and seal and neighbouring parts must be cleaned carefully with a damp cloth when they are dirty.
- Do not use harsh abrasive cleaners or sharp metal scrapers to clean the oven door glass since they can scratch the surface, which can result in shattering of the glass.
- Cleaning Tip ★ For easier cleaning of the cavity walls that the food cooked can touch: Place half a lemon in a bowl, add 300ml (1/2 pint) water and heat on 100% microwave power for 10 minutes. Wipe the oven clean using a soft, dry cloth.

⚠ CAUTION

Personal Injury Hazard

It is hazardous for anyone other than a competent person to carry out any service or repair operation that involves the removal of a cover which gives protection against exposure to microwave energy.

See the instructions on **“MATERIALS YOU CAN USE IN MICROWAVE OVEN OR TO BE AVOIDED IN MICROWAVE OVEN.”**

There may be certain non-metallic utensils that are not safe to use for microwaving. If in doubt, you can test the utensil in question following the procedure below.

Utensil Test:

- Fill a microwave-safe container with 1 cup of cold water (250ml) along with the utensil in question.
- Cook on maximum power for 1 minute.
- Carefully feel the utensil. If the empty utensil is warm, do not use it for microwave cooking.
- Do not exceed 1 minute cooking time.

Materials you can use in microwave oven

Utensils	Remarks
Browning dish	Follow manufacturer's instructions. The bottom of browning dish must be at least 3/16 inch (5 mm) above the turntable. Incorrect usage may cause the turntable to break.
Dinnerware	Microwave-safe only. Follow manufacturer's instructions. Do not use cracked or chipped dishes.
Glass jars	Always remove lid. Use only to heat food until just warm. Most glass jars are not heat resistant and may break.
Glassware	Heat-resistant oven glassware only. Make sure there is no metallic trim. Do not use cracked or chipped dishes.
Oven cooking bags	Follow manufacturer's instructions. Do not close with metal tie. Make slits to allow steam to escape.
Paper plates and cups	Use for short-term cooking/warming only. Do not leave oven unattended while cooking.
Paper towels	Use to cover food for reheating and absorbing fat. Use with supervision for a short-term cooking only.
Parchment paper	Use as a cover to prevent splattering or a wrap for steaming.
Plastic	Microwave-safe only. Follow the manufacturer's instructions. Should be labeled "Microwave Safe". Some plastic containers soften, as the food inside gets hot. "Boiling bags" and tightly closed plastic bags should be slit, pierced or vented as directed by package.
Plastic wrap	Microwave-safe only. Use to cover food during cooking to retain moisture. Do not allow plastic wrap to touch food.
Thermometers	Thermometers Microwave-safe only (meat and candy thermometers).
Wax paper	Use as a cover to prevent splattering and retain moisture.

Materials to be avoided in microwave oven

Utensils	Remarks
Aluminum tray	May cause arcing. Transfer food into microwave-safe dish.
Food carton with metal handle	May cause arcing. Transfer food into microwave-safe dish.
Metal or metaltrimmed utensils	Metal shields the food from microwave energy. Metal trim may cause arcing.
Metal twist ties	May cause arcing and could cause a fire in the oven.
Paper bags	May cause a fire in the oven.
Plastic foam	Plastic foam may melt or contaminate the liquid inside when exposed
Wood	Wood will dry out when used in the microwave oven and may split or crack.

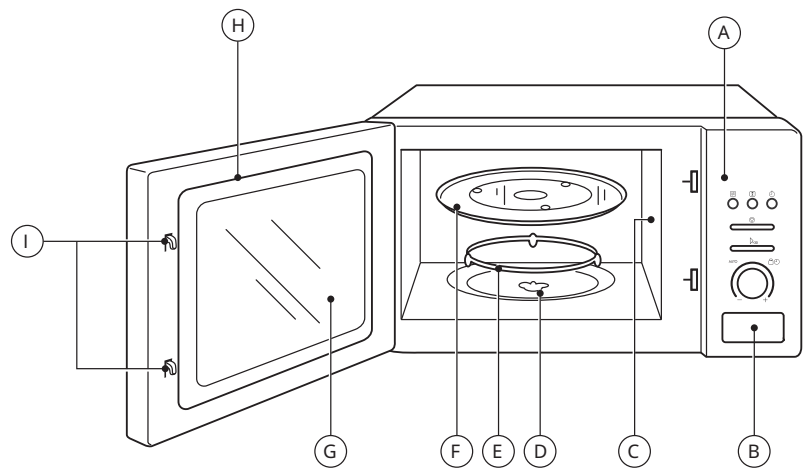
Product description

Setting up your oven

Name of oven parts and accessories

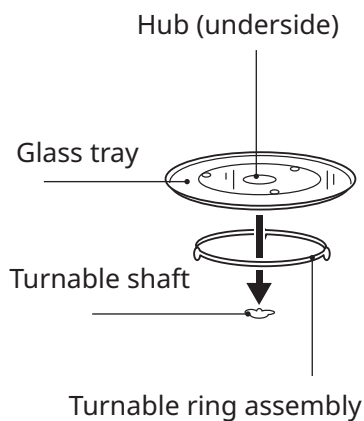
Remove the oven and all materials from the carton and oven cavity. Your oven comes with the following accessories:

Glass tray	1x
Turntable ring assembly	1x
Instruction manual	1x
Drilling template	1x
Assembly instruction	1x



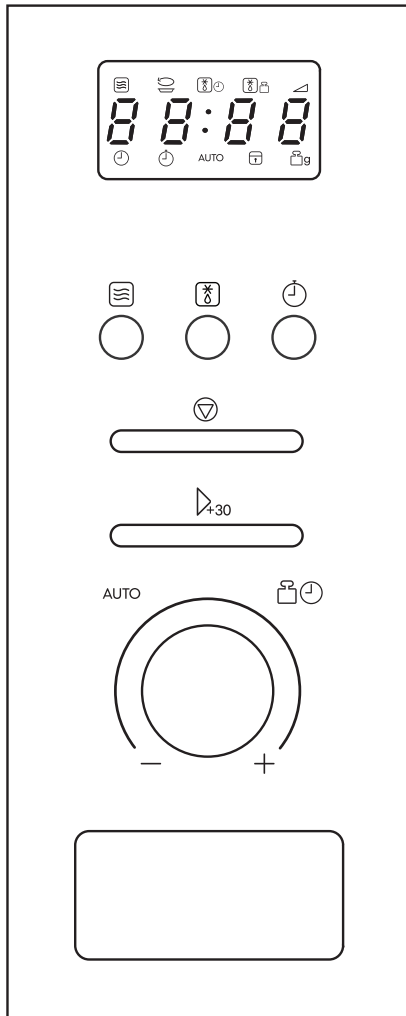
- A) Control panel
- B) Door opening button
- C) Wave guide cover (Do not remove)
- D) Turntable shaft
- E) Turntable ring assembly
- F) Glass tray
- G) Observation window
- H) Door assembly
- I) Safety interlock system

Turntable installation









- a) Never place the glass tray upside down. The glass tray should never be restricted.
- b) Both glass tray and turntable ring assembly must always be used during cooking.
- c) All food and containers of food are always placed on the glass tray for cooking.
- d) If glass tray or turntable ring assembly cracks or breaks, contact your nearest authorized service center.
- e) Never put frozen food directly on a warm turntable.

Control panel



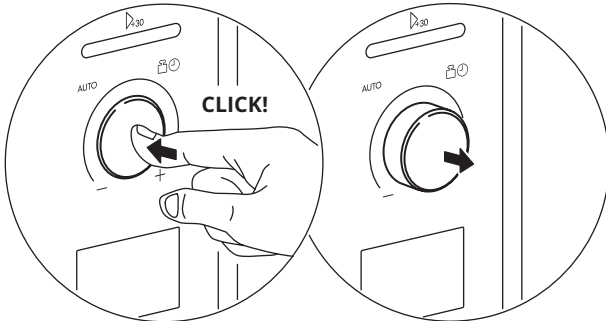
INSTRUCTION

-  Microwave
-  Kitchen timer/Clock
-  Start/+30 Sec/Confirm
-  Time
-  Weight/Time Defrost
-  Stop/Clear
- AUTO Auto Menu

Using the microwave oven

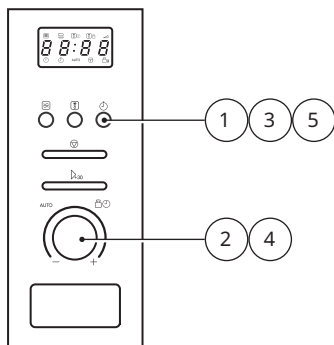
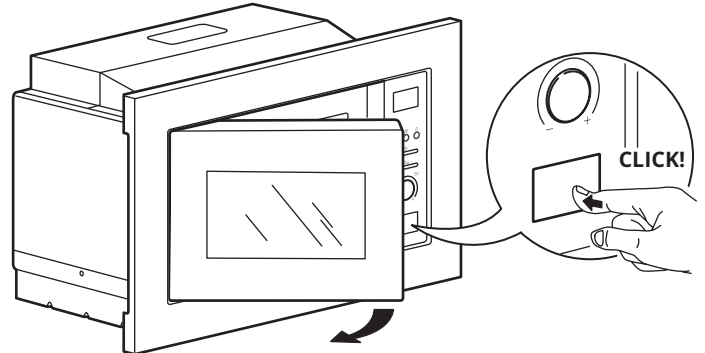
Using the knob

To use the selection knob, push it inwards and it will pop out.



Open the door

Push the button to open the door.



Clock setting

When the microwave oven is electrified, the screen will display "0:00", buzzer will ring once.

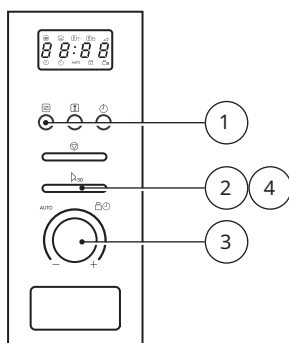
1. Press **Kitchen timer/Clock** twice to select clock function, the hour figures will flash.
2. Turn knob to adjust the hour figures, the input time should be within 0--23.
3. Press **Kitchen timer/Clock**, the minute figures will flash, the hour figures will light.
4. Turn knob to adjust the minute figures, the input time should be within 0--59.
5. Press **Kitchen timer/Clock** to finish clock setting, : will flash.

Note: During the process of clock setting, if you do not press **Kitchen timer/Clock** to confirm in 1 minute, the oven will go back to previous status automatically.

Lock-out function for children

Lock: In waiting state, press **Stop/Clear** for 3 seconds, there will be a long "beep" denoting entering the children-lock state and screen will display [] or current time.

Lock quitting: In locked state, press **Stop/Clear** for 3 seconds, there will be a long "beep" denoting that the lock is released.



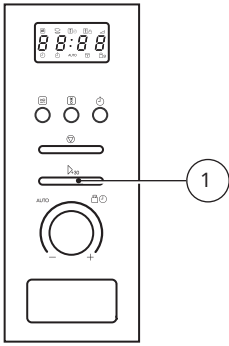
Microwave cooking

1. Press **Microwave** once, the screen will display **80** flickering. Press **Microwave** repeatedly or turn the knob to choose the power you want.
2. Then press **Start/+30 Sec** to confirm selected power level.
3. Turn knob to set cooking time from 0:05 to 95:00.
4. Press **Start/+30 Sec** again to start cooking.

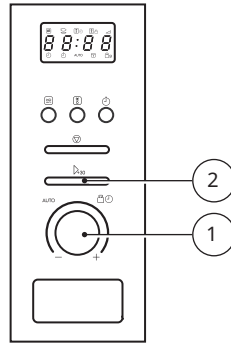
Note: The time steps for the time when turning the knob are as follow:

0---1 min	: 5 seconds
1--- 5min	: 10 seconds
5---10 min	: 30 seconds
10---30 min	: 1 minute
30---95 min	: 5 minutes

Quick start alternative 1



Quick start alternative 2



Quick start alternative 1

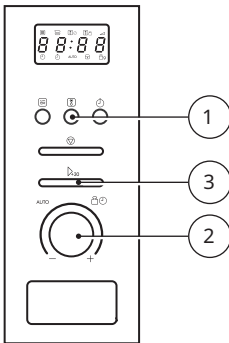
1. In stand by mode, press Δ_{+30} **Start/+30 Sec** to start cooking with full power for 30 seconds, each added press will increase 30 seconds cooking time up to 95 minutes.

Quick start alternative 2

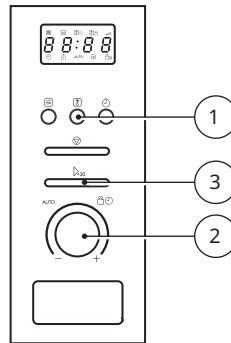
1. In stand by mode, turn the knob \odot to the right to set the time.
2. Press Δ_{+30} **Start/+30 Sec** to start cooking at full microwave power.

Note: In microwave or time defrost state, each press of Δ_{+30} **Start/+30 Sec** can increase 30 seconds of cooking time.

Defrost by weight



Defrost by time



Defrost by weight

1. Press $\text{[Weight/Time Defrost]}$ **Weight/Time Defrost** once, and the oven will display **dEF1**.
2. Turn the knob \odot to select the weight of food from 100 to 2000g.
3. Press Δ_{+30} **Start/+30 Sec** to start defrosting.

Defrost by time

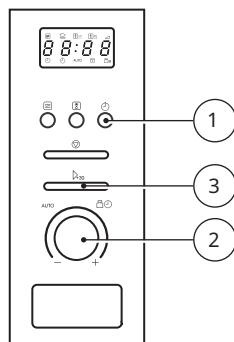
1. Press $\text{[Weight/Time Defrost]}$ **Weight/Time Defrost** twice, and the oven will display **dEF2**.
2. Turn the knob \odot to select the defrost time. The MAX. time is 95 minutes.
3. Press Δ_{+30} **Start/+30 Sec** to start defrosting.

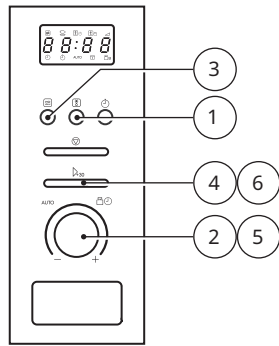
The product will prompt you to turn the food after half of the time set for defrosting. Open the door and turn the food, shut the door and press Δ_{+30} **Start/+30 Sec** to continue the defrosting.

Kitchen timer

1. Press $\text{[Kitchen timer/Clock]}$ **Kitchen timer/Clock** once, screen will display **00:00**, clock indicator will light.
2. Turn the knob \odot to enter the correct time. (Maximum time to set is 95 minutes.)
3. Press Δ_{+30} **Start/+30 Sec** to confirm setting, clock indicator will be flickering.

When the kitchen time is reached, clock indicator will go out and the buzzer will ring 5 times.



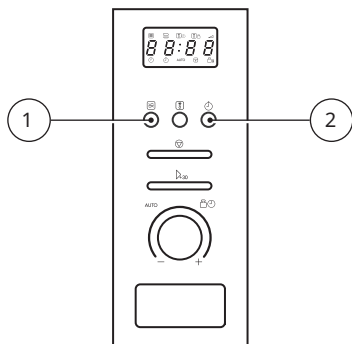


The product can be set to perform a multi stage cooking, defrosting followed by reheating:

Multi-section cooking

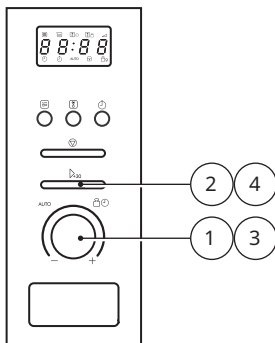
1. Press **Weight/Time Defrost** twice, and the oven will display **dEF2**.
2. Turn the knob to select the defrost time.
3. Press **Microwave** once, the screen will display **80**, repeatedly push the button or turn the knob to set the requested microwave power.
4. Press **Start/+30 Sec** to confirm power setting.
5. Turn the knob to select cooking time.
6. Press **Start/+30 Sec** to start cooking.

The product will prompt you to turn the food after half of the time set for defrosting. Open the door and turn the food, shut the door and press **Start/+30 Sec** to continue the defrosting. The buzzer will sound once again entering the second cooking. When cooking finishes, buzzer sound five times.



Inquiring function

1. In state of microwave cooking, press **Microwave**, the current power will be displayed for 3 seconds.
2. In cooking state, press **Kitchen timer/Clock** to inquire the time of the day, the time will be displayed for 3 seconds.



Auto menu

1. Turn the knob "A" left to choose the menu, and **A-1 to A-8** will display.
2. Press **Start/+30 Sec** to confirm selected food.
3. Turn the knob "A" to choose the default weight as the menu chart.
4. Press **Start/+30 Sec** to start cooking.

MENU	WEIGHT	DISPLAY
A-1 Pizza	200g	200
	400g	400
A-2 Meat	250g	250
	350g	350
	450g	450
A-3 Vegetable	200g	200
	300g	300
	400g	400
A-4 Pasta	50g (with 450g cold water)	50
	100g (with 800g cold water)	100
A-5 Potato	200g	200
	400g	400
	600g	600
A-6 Fish	250g	250
	350g	350
	450g	450
A-7 Beverage	1 cup (120ml)	1
	2 cups (240ml)	2
	3 cups (360ml)	3
A-8 Popcorn	50g	50
	100g	100

Note: The Foodclasses can also be found on the label inside the door.

Trouble shooting

Normal	
Microwave oven interfering TV reception	Radio and TV reception may be interfered when microwave oven operating. It is similar to the interference of small electrical appliances, like mixer, vacuum cleaner, electric fan. It is normal.
Dim oven light	In low power microwave cooking, oven light may become dim. It is normal.
Steam accumulating on door, hot air out of vents.	In cooking, steam may come out of food. Most will get out from vents, but some may accumulate on cool place like oven door. It is normal.
Oven started accidentally with no food in.	<i>It is forbidden to run the unit without any food inside. It is very dangerous.</i>

Trouble	Possible cause	Remedy
Oven can not be started.	(1) Power cord not plugged tightly.	Unplug the cord. Wait 10 seconds and plug it again.
	(2) Fuse blowing or circuit breaker works.	Replace fuse or reset circuit breaker (repaired by professional personnel of our company)
	(3) Trouble with outlet.	Test outlet with other electrical appliances.
Oven does not heat	(4) Door not closed well.	Close door well.

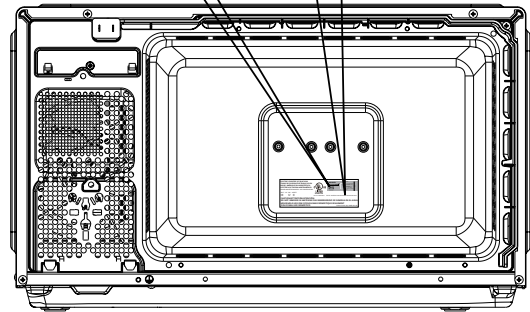
Specifications

Model:	LAGAN 30609497	LAGAN 50609496	LAGAN 40609500
Rated Voltage:	220-230V~ 60Hz	230-240V~ 50Hz	230V~ 50Hz
Rated Input Power (Microwave):	1250W		
Rated Output Power (Microwave):	800W		
Oven Capacity:	20L		
Turnable Diameter:	Ø 245mm		
External Dimensions:	595x344x394mm		
Net Weight:	15kg		

Serial Number (start with SN, 22-digit code)

Serial number:xxxxxxxxxxxxxxxxxxxxxx

Article Number (8-digit code)



Picture for reference only

Installation and connection

1. This appliance is only intended for domestic use.
2. This oven is intended for built-in use only. It is not intended for counter-top use or for use inside a cupboard.
3. Please observe the special installation instructions.
4. The appliance can be installed in a 60cm wide wall-mounted cupboard.
5. The appliance is fitted with a plug and must only be connected to a properly installed earthed socket.
6. The mains voltage must correspond to the voltage specified on the rating plate.
7. The socket must be installed and connecting cable must only be replaced by a qualified electrician. If the plug is no longer accessible following

- installation, an all-pole disconnecting device must be present on the installation side with a contact gap of at least 3mm.
8. Adapters, multi-way strips and extension leads must not be used. Overloading can result in a risk of fire.
9. The product should not be mounted below 85cm.



The accessible surface maybe hot during operation.

Environmental concerns



According to Waste of Electrical and Electronic Equipment (WEEE) directive, WEEE should be separately collected and treated. If at any time in future you need to dispose of this product please do not dispose of this product with household waste. Please send this product to WEEE collecting points where available.

Ikea guarantee

How long is the IKEA guarantee valid?

This guarantee is valid for **2 years** from the original date of purchase of your appliance at IKEA. The original sales receipt is required as proof of purchase. If service work is carried out under guarantee, this will not extend the guarantee period for the appliance.

Who will execute the service?

IKEA service provider will provide the service through its own service operations or authorized service partner network.

What does this guarantee cover?

The guarantee covers faults of the appliance, which have been caused by faulty construction or material faults from the date of purchase from IKEA. This guarantee applies to domestic use only. The exceptions are specified under the headline "What is not covered under this guarantee?" Within the guarantee period, the costs to remedy the fault e.g. repairs, parts, labour and travel will be covered, provided that the appliance is accessible for repair without special expenditure. On these conditions the EU guidelines (DIRECTIVE (EU) 2019/771) and the respective local regulations are applicable. Replaced parts become the property of IKEA.

What will IKEA do to correct the problem?

IKEA appointed Service Provider will examine the product and decide, at its sole discretion, if it is covered under this guarantee. If considered covered, IKEA Service Provider or its authorized service partner through its own service operations, will then, at its sole discretion, either repair the defective product or replace it with the same or a comparable product.

What is not covered under this guarantee?

- Normal wear and tear.
- Deliberate or negligent damage, damage caused by failure to observe operating instructions, incorrect installation or by connection to the wrong voltage, damage caused by chemical or electrochemical reaction, rust, corrosion or water damage including but not limited to damage caused by excessive lime in the water supply, damage caused by abnormal environmental conditions.
- Consumable parts including batteries and lamps.
- Non-functional and decorative parts which do not affect normal use of the appliance, including any scratches and possible color differences.
- Accidental damage caused by foreign objects or substances and cleaning or unblocking of filters, drainage systems or soap drawers.

- Damage to the following parts: ceramic glass, accessories, crockery and cutlery baskets, feed and drainage pipes, seals, lamps and lamp covers, screens, knobs, casings and parts of casings. Unless such damages can be proved to have been caused by production faults.
- Cases where no fault could be found during a technician's visit.
- Repairs not carried out by our appointed service providers and/or an authorized service contractual partner or where non-original parts have been used.
- Repairs caused by installation which is faulty or not according to specification.
- The use of the appliance in a non-domestic environment i.e. professional use.
- Transportation damages. If a customer transports the product to his home or another address, IKEA is not liable for any damage that may occur during transport. However, if IKEA delivers the product to the customer's delivery address, then damage to the product that occurs during this delivery will be covered by IKEA.
- Cost for carrying out the initial installation of the IKEA appliance. However, if an IKEA appointed Service Provider or its authorized service partner repairs or replaces the appliance under the terms of this guarantee, the appointed Service Provider or its authorized service partner will reinstall the repaired appliance or install the replacement, if necessary.

These restrictions do not apply to fault-free work carried out by a qualified specialist using our original parts in order to adapt the appliance to the technical safety specifications of another EU country.

How country law applies

The IKEA guarantee gives you specific legal rights, which cover or exceed all the local legal demands. However these conditions do not limit in any way consumer rights described in the local legislation.

Area of validity

For appliances which are purchased in one EU country and taken to another EU country, the services will be provided in the framework of the guarantee conditions normal in the new country.

An obligation to carry out services in the framework of the guarantee exists only if the appliance complies and is installed in accordance with:

- the technical specifications of the country in which the guarantee claim is made;
- the Assembly Instructions and User Manual Safety Information.

The dedicated AFTER SALES for IKEA appliances

Please don't hesitate to contact IKEA appointed After Sales Service Provider to:

- make a service request under this guarantee;
- ask for clarifications on installation of the IKEA appliance in the dedicated IKEA kitchen furniture;
- ask for clarification on functions of IKEA appliances.

To ensure that we provide you with the best assistance, please read carefully the Assembly Instructions and/or the User Manual before contacting us.

How to reach us if you need our service



You can find phone numbers of the IKEA appointed After Sales Service Providers at the end of this manual.

i In order to provide you with a quicker service, we recommend that you use the specific phone numbers listed in this manual. Always use the phone numbers listed in the user manual for the specific appliance you need an assistance for. Please remember to provide the 8-digit article number and 22-digit serial number shown on the rating plate of your appliance.

i **SAVE THE SALES RECEIPT!**
It is your proof of purchase and required for the guarantee to apply. The sales receipt also reports the IKEA name and article number (8 digit code) for each of the appliances you have purchased.

Do you need extra help?

For any additional questions not related to After Sales of your appliances please contact your nearest IKEA store call centre. We recommend you read the appliance documentation carefully before contacting us.

Spare parts information

- The following spare parts: thermostats, temperature sensors, printed circuit boards and light sources, will be available to professional repairers for a minimum period of seven years, after placing the last unit of the model on the market.
- The following spare parts: door handles, door hinges, trays and baskets will be available to professional repairers and end users for a minimum period of seven years, and door gaskets for a minimum period of 10 years, after placing the last unit of the model on the market.

The spare parts can be found: www.ikea.com



UNITED ARAB EMIRATES & OMAN

Toll free: 800 4532 : رقم مجاني
Web: www.IKEA.com : موقع الإنترنت

QATAR

Toll free: 800 4532 : رقم مجاني
Web: www.IKEA.qa : موقع الإنترنت
e-mail: Ikea_qatar@alfuttaim.com : البريد الإلكتروني

EGYPT

Hotline: 16576 : الخط الساخن
Web: www.IKEA.eg : موقع الإنترنت
e-mail: IkeaCairo.customerservice@alfuttaim.com : البريد الإلكتروني

STATE OF KUWAIT

Contact centre: +965 18 40 40 8 : مركز الاتصال
Web: www.IKEA.com.kw : موقع الإنترنت
e-mail: info@IKEA.com.kw : البريد الإلكتروني

JORDAN

Contact centre: +962 6 400 1000 : مركز الاتصال
Web: www.IKEA.jo : موقع الإنترنت

KINGDOM OF SAUDI ARABIA

Contact centre: 92000-4532 : مركز الاتصال
Our phone lines are open: خطوط الهاتف لدينا مفتوحة :
Saturday - Thursday 09:00 AM - 10:00 PM السبت - الخميس
Friday 2:00 PM - 10:00 PM يوم الجمعة

BAHRAIN

Contact centre: 80001120 : مركز الاتصال
Our telephone lines are open : خطوط الهاتف لدينا مفتوحة طوال اليوم
all day

MOROCCO

Web: www.IKEA.com : موقع الإنترنت

كيف تتواصل معنا إن كنت تحتاج إلى خدماتنا

يمكنك العثور على أرقام هواتف مقدمي خدمة ما بعد البيع المعيّنين من قبل IKEA في نهاية هذا الدليل.



i من أجل تقديم خدمة أسرع لك، نوصي باستخدام أرقام الهواتف المحددة المدرجة في هذا الدليل. استخدم دائمًا أرقام الهواتف المدرجة في دليل المستخدم الخاص بالجهاز المحدد الذي تحتاج إلى مساعدة بخصوصه. يرجى تذكر تقديم رقم الصنف المكون من 8 أرقام والرقم التسلسلي المكون من 22 رقمًا الموضح على لوحة التصنيف الخاصة بجهازك.

i احتفظ بإيصال المبيعات! الإيصال هو إثبات الشراء ومطلوب لكي يسري الضمان. يذكر إيصال المبيعات كذلك اسم منتج IKEA ورقم المنتج (كود من 8 أرقام) لكل جهاز قمت بشرائه.

هل تحتاج إلى مساعدة إضافية؟

لنطرح أي أسئلة إضافية غير متصلة بخدمة ما بعد البيع لجهازك، يُرجى الاتصال بأقرب مركز اتصال في متجر IKEA. نوصي بقراءة وثائق الجهاز بعناية قبل الاتصال بنا.

معلومات عن قطع الغيار

- ستتوفر قطع الغيار التالية: وحدات الترموستات ومستشعرات درجة الحرارة ولوحات الدوائر الكهربائية المطبوعة ومصادر الضوء، لمسؤولي الإصلاح المحترفين لمدة لا تقل عن سبع سنوات، بعد طرح آخر وحدة من الطراز في السوق.
- ستتوفر قطع الغيار التالية: مقابض الأبواب ومفصلات الأبواب والأدراج والسلال لمسؤولي الإصلاح المحترفين والمستخدمين النهائيين لمدة لا تقل عن سبع سنوات، وحشيات الباب لمدة لا تقل عن 10 سنوات، بعد طرح آخر وحدة من الطراز في السوق.

يُمكن العثور على قطع الغيار على الموقع: www.ikea.com

Ikea ضمان

- الحالات التي لم توجد بها أي عيوب خلال زيارة الفني.
- الإصلاحات التي لم يتم تنفيذها من قبل مزودي خدمات الصيانة المعيّنين من طرفنا و/أو شريك تعاقدى معتمد لأداء الخدمة أو في حالة عدم استخدام قطع غيار أصلية.
- عمليات الإصلاح الناتجة عن عيوب في التركيب أو التي لم تتم حسب المواصفات.
- استخدام الجهاز في بيئة غير منزلية، أي للاستخدام المهني.
- أضرار النقل. إذا نقلَ العميل المنتج إلى منزله أو عنوان آخر، فإنّ IKEA غير مسؤولة عن أي أضرار قد تحدث في أثناء النقل. ومع ذلك، إن سلمت IKEA المنتج إلى العميل على عنوان التسليم، فإن ضرر المنتج الذي يحدث أثناء هذا التسليم تغطيه IKEA.
- تكلفة تنفيذ التركيب الأولي لجهاز IKEA. ومع ذلك، إذا أصحّح موفر خدمة الصيانة المُعَيَّن من IKEA أو شريك الخدمة المعتمد التابع لها الجهاز أو استبدله بموجب الشروط الواردة في هذا الضمان، فإنّ موفر خدمة الصيانة المُعَيَّن أو شريك الخدمة المعتمد التابع لها سيعيد تركيب الجهاز الذي تم إصلاحه أو تركيب البديل، إذا لزم الأمر.
- لا تنطبق هذه القيود على الأعمال الخالية من العيوب التي ينفذها أخصائي مؤهل باستخدام قطع الغيار الأصلية الخاصة بنا من أجل مواءمة الجهاز لمواصفات السلامة الفنية لبلد آخر تابع للاتحاد الأوروبي.

كيفية إنفاذ القوانين المعمول بها في البلد

يعطيك ضمان IKEA حقوقاً قانونية محددة، والذي يغطي أو يتعدى جميع المتطلبات القانونية المحلية. ومع ذلك، فإنّ هذه الشروط لا تُقيّد بأي حال حقوق المستهلك الموضحة في التشريعات المحلية.

منطقة السريان

بالنسبة إلى الأجهزة التي يتم شراؤها في إحدى دول الاتحاد الأوروبي وتؤخذ في دولة أخرى في الاتحاد الأوروبي، تقدم الخدمات في إطار من شروط الضمان العادية في الدولة الجديدة. لن يقع التزام تنفيذ الخدمات في إطار الضمان إلا عند توافق الجهاز وتركيبه وفقاً لما يأتي:

- المواصفات الفنية للبلد الذي تم تقديم مطالبة الضمان فيه؛
- تعليمات التجميع ومعلومات السلامة الواردة في دليل المستخدم.

خدمة ما بعد البيع المخصصة لأجهزة IKEA

يُرجى عدم التردد في الاتصال بموفر خدمة ما بعد البيع المُعَيَّن من شركة IKEA من أجل:

- تقديم طلب خدمة بموجب هذا الضمان؛
- طلب توضيحات بخصوص تركيب جهاز IKEA في أثاث مطبخ IKEA المخصص؛
- طلب التوضيح بشأن وظائف أجهزة IKEA.

للتأكد من الحصول على أفضل مساعدة منا، نرجى قراءة تعليمات التجميع و/أو دليل المستخدم بعناية قبل الاتصال بنا.

ما مدة سريان ضمان IKEA؟

هذا الضمان صالح لمدة 2 سنوات من تاريخ الشراء الأصلي للجهاز من IKEA. يلزم وجود إيصال المبيعات الأصلي كإثبات للشراء. في حالة تنفيذ أعمال خدمات الصيانة بموجب هذا الضمان، لن يؤدي ذلك إلى مد فترة ضمان الجهاز.

مَنْ سَيُنْفَذُ خدمة الصيانة؟

سيُوفّر مزود خدمة الصيانة من IKEA الصيانة من خلال عمليات الصيانة لديها أو شبكة شركاء الخدمة المعتمدة.

ما الذي يغطيه هذا الضمان؟

يغطي الضمان أعطال الجهاز، الناتجة عن عيوب الصناعة أو المواد من تاريخ الشراء من IKEA. لا يسري هذا الضمان إلا على الاستخدام المنزلي. يتم تحديد الاستثناءات تحت عنوان "ما الذي لا يغطيه هذا الضمان؟" في غضون فترة الضمان، ستكون تكاليف إصلاح العيوب، كعمليات الإصلاح وقطع الغيار والعمالة والنقل، مشمولة بالضمان، شريطة أن يكون من الممكن الوصول إلى الجهاز لإصلاحه من دون مصروفات خاصة. بناءً على هذه الشروط، تسري المبادئ التوجيهية للاتحاد الأوروبي (التوجيه 2019/771 (EU)) واللوائح المحلية ذات الصلة. تصبح قطع الغيار المُستبدلة ملكاً لشركة IKEA.

ما الذي ستفعله شركة IKEA لإصلاح المشكلة؟

سيفحص مزود الخدمة المعين من قبل IKEA المنتج وسيقرر، وفقاً لتقديره وحده، ما إذا كان يغطي هذا الضمان أم لا. إذا عُدَّ المنتج مشمولاً بالضمان، فإنّ موفر الخدمة من IKEA أو شريك الخدمة المعتمد التابع لها سيقوم حينها إما بإصلاح المنتج المُعَيَّب أو أن يحل محله المنتج نفسه أو منتج مماثل له، وذلك من خلال مركز عمليات الخدمة الخاص به وحسب تقديره وحده.

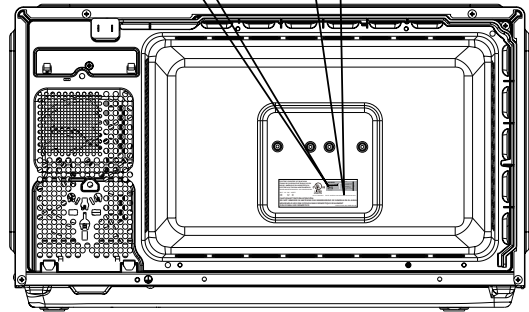
ما الذي لا يغطيه هذا الضمان؟

- البلى والاهتراء العاديان.
- التلف المتعمد أو الناتج عن الإهمال، والتلف الذي يتسبب فيه التقصير في مراعاة تعليمات التشغيل، والتركيب غير الصحيح أو بالتوصيل إلى الجهد الخاطئ، والضرر الذي تسبب فيه التفاعل الكيميائي أو الكهروكيميائية، أو الصدأ أو التآكل أو تلف المياه بما في ذلك على سبيل المثال لا الحصر التلف الذي يتسبب فيه الجير الزائد في مصدر المياه، أو الضرر الذي تسبب فيه الظروف البيئية غير العادية.
- قطع الغيار المستهلكة، بما في ذلك البطاريات والمصابيح.
- الأجزاء غير الوظيفية وقطع غيار التزيين التي لا تؤثر على الاستخدام العادي للجهاز، بما في ذلك أي خدوش وفروق لون محتملة.
- الضرر العارض الذي تسبب فيه أجسام أو مواد غريبة وتنظيف أو فتح الفلاتر أو أنظمة الصرف أو أدراج الصابون.
- الضرر الذي يلحق بالأجزاء التالية: السيراميك الزجاجي والملحقات والأواني الفخارية وسلال أدوات المائدة وأنايب التغذية والصرف وموانع التسرب والمصابيح وأغطية المصابيح والشاشات والمقابض والأغلفة وأجزاء الأغلفة. ما لم يتم إثبات أنّ هذه الأضرار ناتجة عن عيوب الإنتاج.

الرقم التسلسلي (رمز مكوّن من 22 رقمًا يبدأ بـ SN)

الرقم التسلسلي:XXXXXXXXXXXXXXXXXXXX

رقم الصنف (رمز مكوّن من 8 أرقام)



الصورة كمرجع فقط

التركيب والتوصيل

1. القبطية على جانب التثبيت مزود بفجوة تلامس لا تقل عن 3 مم.
2. يحظر استخدام المحولات والشرائط متعددة المنافذ وأسلاك التمديد. حيث قد يؤدي التحميل الزائد إلى خطر نشوب حريق.
3. لا يجب تعليق المنتج تحت 85 سم.



قد يصبح السطح القابل للوصول ساخناً أثناء التشغيل.

4. هذا الجهاز مخصص للاستخدام المنزلي فقط.
5. هذا الفرن مخصص للاستخدام المدمج فقط. وهو غير مخصص للاستخدام على سطح المنضدة أو داخل الخزانات.
6. تُرجى مراعاة تعليمات التركيب الخاصة.
7. يمكن تركيب الجهاز في خزانة بعرض 60 سم مثبتة في الحائط.
8. الجهاز مزود بقابس ويجب توصيله بمقبس مؤرض مثبت بشكل صحيح فقط.
9. يجب أن يكون الجهد الكهربائي للمصدر متوافقاً مع الجهد المحدد على لوحة التصنيف.
10. يجب تركيب المقبس واستبدال كابل التوصيل بواسطة كهربائي مؤهل فقط. إذا لم يعد من الممكن الوصول إلى القابس بعد تثبيت الجهاز، فيجب توفير جهاز فصل كامل.

المخاوف البيئية

وفقاً لتوجيه نفايات الأجهزة الكهربائية والإلكترونية (WEEE)، يجب تجميع نفايات الأجهزة الكهربائية والإلكترونية ومعالجتها بشكل منفصل. في أي وقت في المستقبل ترغب في التخلص من هذا المنتج، يُرجى عدم التخلص منه مع النفايات المنزلية. يُرجى إرسال هذا المنتج إلى نقاط تجميع نفايات الأجهزة الكهربائية والإلكترونية حيثما توفرت.



استكشاف الأخطاء وإصلاحها

مشكلات طبيعية	
يتداخل فرن الميكروويف مع استقبال التلفاز	ربما يتداخل استقبال الراديو والتلفاز عند تشغيل فرن الميكروويف. ويشبه ذلك تداخل الأجهزة الكهربائية الصغيرة، مثل الخلاط، أو المكنسة الكهربائية، أو المروحة الكهربائية. لذا يُعد هذا أمرًا طبيعيًا.
ضوء الفرن خافت	أثناء الطهي باستخدام الميكروويف منخفض الطاقة، قد يصبح ضوء الفرن قاتمًا. لذا يُعد هذا أمرًا طبيعيًا.
يتراكم البخار على الباب، ويخرج هواء ساخن من فتحات التهوية.	أثناء الطهي، قد يخرج البخار من الطعام. وسيخرج معظمه من فتحات التهوية، لكن بعضه قد يتراكم في مكان بارد مثل باب الفرن. لذا يُعد هذا أمرًا طبيعيًا.
تم تشغيل الفرن عن طريق الخطأ بدون وجود طعام بداخله.	يُحظر تشغيل الجهاز بدون وجود أي طعام بداخله. وهو أمر في غاية الخطورة.

المشكلة	السبب المحتمل	الحل
يتعذر بدء تشغيل الفرن.	(1) سلك الطاقة غير متصل بإحكام.	افصل السلك. انتظر 10 ثوانٍ ثم قم بتوصيله من جديد.
	(2) احتراق المنصهر أو عمل قاطع الدائرة الكهربائية.	استبدل المنصهر أو أعد ضبط قاطع الدائرة الكهربائية (يجب إصلاحه بمعرفة أفراد محترفين من شركتنا)
	(3) هناك مشكلة في المقبس.	اختبر مأخذ التيار الكهربائي باستخدام أجهزة كهربائية أخرى.
الفرن لا يسخن	(4) الباب غير مغلق جيدًا.	أغلق الباب جيدًا.

المواصفات

الطراز:	LAGAN 40609500	LAGAN 50609496	LAGAN 30609497
معدل الجهد:	230 فولت ~ 50 هرتز	230-240 فولت ~ 50 هرتز	220-230 فولت ~ 60 هرتز
تصنيف طاقة الدخل (الميكروويف):	1250 وات		
تصنيف طاقة الخرج (الميكروويف):	800 وات		
سعة الفرن:	20 لتر		
قطر القرص الدوار:	القطر 245 مم		
الأبعاد الخارجية:	595 × 344 × 394 مم		
الوزن الصافي:	15 كجم		

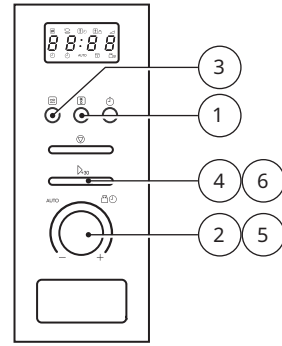
القائمة	الوزن	ما يتم عرضه
A-1 بيتزا	200 جم	200
	400 جم	400
A-2 لحوم	250 جم	250
	350 جم	350
	450 جم	450
A-3 الخضراوات	200 جم	200
	300 جم	300
	400 جم	400
A-4 المعكرونة	50 جم (مع 450 جم ماء بارد)	50
	100 جم (مع 800 جم ماء بارد)	100
A-5 بطاطس	200 جم	200
	400 جم	400
	600 جم	600
A-6 الأسماك	250 جم	250
	350 جم	350
	450 جم	450
A-7 المشروبات	كوب واحد (120 مل)	1
	كوبان (240 مل)	2
	3 أكواب (360 مل)	3
A-8 فشار	50 جم	50
	100 جم	100

ملاحظة: يمكن أيضًا العثور على فئات الطعام على الملصق الموجود داخل الباب.

يمكن ضبط الجهاز لأداء طهي متعدد المراحل، وإذابة الثلج متبوعة بإعادة التسخين:

الطهي متعدد الأقسام

1. اضغط على **فك تجمد الطعام حسب الوزن/الوقت** مرتين، وسيعرض الفرن **dEF2**.
2. أدر المقبض لتحديد وقت فك تجمد الطعام.
3. اضغط على **ميكروويف** مرة واحدة، ستعرض الشاشة **80**، واضغط على الزر بشكل متكرر أو أدر المقبض لضبط طاقة الميكروويف المطلوبة.
4. اضغط على **بدء/30+ ثانية** لتأكيد ضبط الطاقة.
5. أدر المقبض لتحديد وقت الطهي.
6. اضغط على **بدء/30+ ثانية** لبدء الطهي.

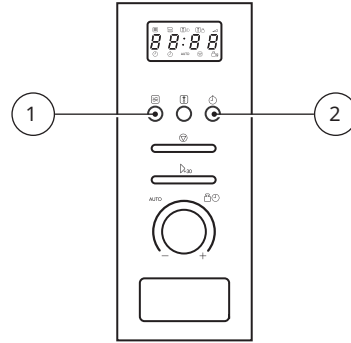


سيطالبك الجهاز بقلب الطعام بعد نصف الوقت المحدد لفك تجمد الطعام.

افتح الباب وأقلب الطعام وأغلق الباب واضغط على **بدء/30+ ثانية** لمتابعة فك تجمد الطعام. سيصدر صوت الرنين مرة أخرى عند الدخول في عملية الطهي الثانية. وعند الانتهاء من الطهي، يصدر صوت الرنين خمس مرات.

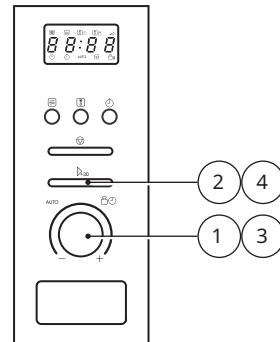
وظيفة الاستعلام

1. في حالة الطهي بالميكروويف، اضغط على **ميكروويف**، وسيتم عرض الطاقة الحالية لمدة 3 ثوان.
2. في حالة الطهي، اضغط على **مؤقت المطبخ/الساعة** للاستفسار عن وقت اليوم، وسيتم عرض الوقت لمدة 3 ثوان.



القائمة التلقائية

1. أدر المقبض "A" إلى اليسار لاختيار القائمة، وستعرض **A-1** إلى **A-8**.
2. اضغط على **بدء/30+ ثانية** لتأكيد الطعام المحدد.
3. أدر المقبض "A" لاختيار الوزن الافتراضي حسب مخطط القائمة.
4. اضغط على **بدء/30+ ثانية** لبدء الطهي.



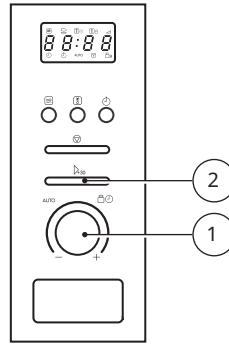
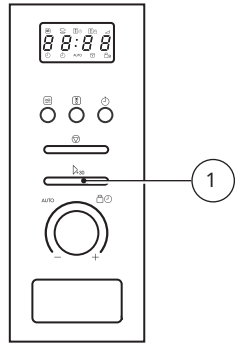
بديل البدء السريع 1

1. في وضع الاستعداد، اضغط على Δ_{30} بدء/30 ثانية لبدء الطهي بالطاقة الكاملة لمدة 30 ثانية، وستزيد كل ضغطة إضافية 30 ثانية من وقت الطهي حتى 95 دقيقة.

بديل البدء السريع 2

1. في وضع الاستعداد، أدر المقبض Ⓢ إلى اليمين لضبط الوقت.
2. اضغط على Δ_{30} بدء/30 ثانية لبدء الطهي باستخدام طاقة الميكروويف الكاملة.

ملاحظة: في حالة ميكروويف أو فك تجمد الطعام حسب الوقت، يمكن أن تزيد كل ضغطة على Δ_{30} بدء/30 ثانية 30 ثانية من وقت الطهي.

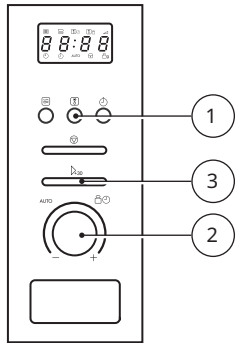
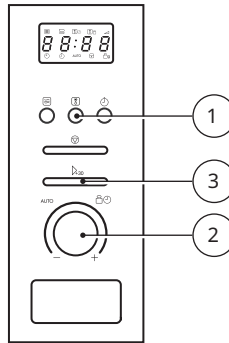
بديل البدء السريع 2**بديل البدء السريع 1****فك تجمد الطعام حسب الوزن فك تجمد الطعام حسب الوقت فك تجمد الطعام حسب الوزن**

1. اضغط على Ⓢ فك تجمد الطعام حسب الوزن/الوقت مرة واحدة، وسيعرض الفرن DEF1.
2. أدر المقبض Ⓢ لتحديد وزن الطعام من 100 إلى 2000 جرام.
3. اضغط على Δ_{30} بدء/30 ثانية لبدء فك تجمد الطعام.

فك تجمد الطعام حسب الوقت

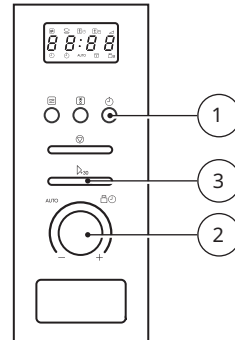
1. اضغط على Ⓢ فك تجمد الطعام حسب الوزن/الوقت مرتين، وسيعرض الفرن DEF2.
2. أدر المقبض Ⓢ لتحديد وقت فك تجمد الطعام. أقصى وقت 95 دقيقة.
3. اضغط على Δ_{30} بدء/30 ثانية لبدء فك تجمد الطعام.

سيطالبك الجهاز بقلب الطعام بعد نصف الوقت المحدد لفك تجمد الطعام. افتح الباب واقرب الطعام وأغلق الباب واضغط على Δ_{30} بدء/30 ثانية لمتابعة فك تجمد الطعام.

**مؤقت المطبخ**

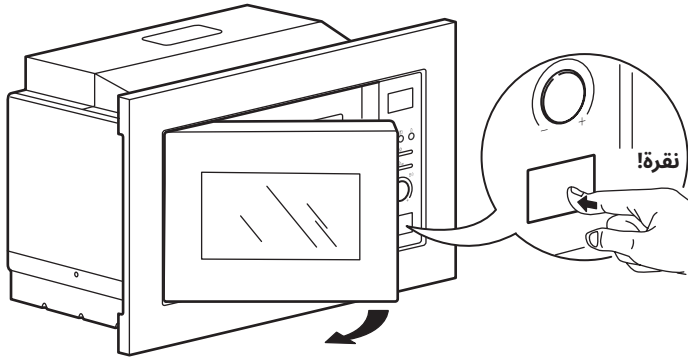
1. اضغط على Ⓢ مؤقت المطبخ/الساعة مرة واحدة، ستعرض الشاشة 00:00، وسيضيء مؤشر الساعة.
2. أدر المقبض Ⓢ لإدخال الوقت الصحيح. (أقصى وقت يمكن تعيينه 95 دقيقة).
3. اضغط على Δ_{30} بدء/30 ثانية لتأكيد الضبط، سوف يتقطع ضوء مؤشر الساعة.

عند الوصول إلى وقت المطبخ، سينطفئ مؤشر الساعة وسيصدر صوت الرنين 5 مرات.

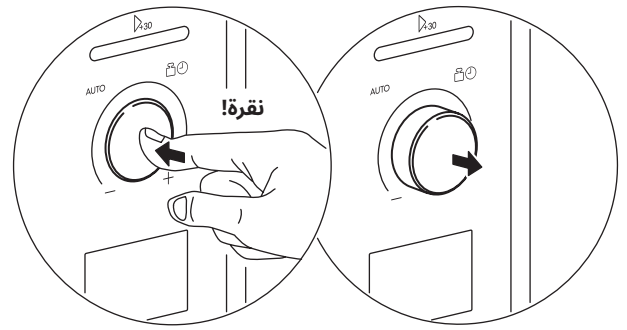


استخدام فرن الميكروويف

فتح الباب
اضغط على الزر لفتح الباب.



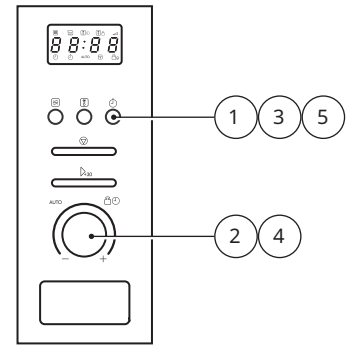
استخدام المقبض
لاستخدام مقبض التحديد، ادفعه إلى الداخل وسيخرج.



إعداد الساعة

عندما يكون فرن الميكروويف متصلًا بالكهرباء، ستعرض الشاشة "0:00"، وسوف يصدر صوت رنين مرة واحدة.

1. اضغط على **مؤقت المطبخ/الساعة** مرتين لتحديد وظيفة الساعة، وسوف تومض أرقام الساعات.
2. أدر المقبض لضبط أرقام الساعات، يجب أن يكون وقت الإدخال ضمن-0-23.
3. اضغط على **مؤقت المطبخ/الساعة**، وسوف تومض أرقام الدقائق، وتضيء أرقام الساعات.
4. أدر المقبض لضبط أرقام الدقائق، يجب أن يكون وقت الإدخال ضمن-0-59.
5. اضغط على **مؤقت المطبخ/الساعة** لإنهاء ضبط الساعة، وسوف تومض .:



ملاحظة: أثناء عملية ضبط الساعة، إذا لم تضغط على **مؤقت المطبخ/الساعة** للتأكيد خلال دقيقة واحدة، فسيعود الفرن إلى الحالة السابقة تلقائيًا.

وظيفة القفل المخصصة للأطفال

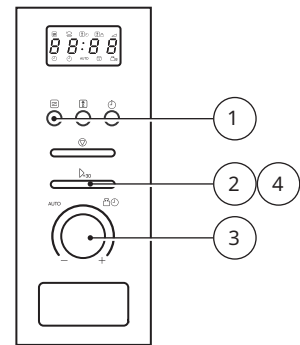
قفل: في حالة الانتظار، اضغط على **إيقاف/مسح** لمدة 3 ثوان، سيصدر صوت "صافرة" طويل تدل على الدخول في وضع قفل الأمان للأطفال وستعرض الشاشة " _ _ _ " أو الوقت الحالي.
إنهاء القفل: في حالة القفل، اضغط على **إيقاف/مسح** لمدة 3 ثوان، سيصدر صوت "صافرة" طويل تدل على إلغاء القفل.

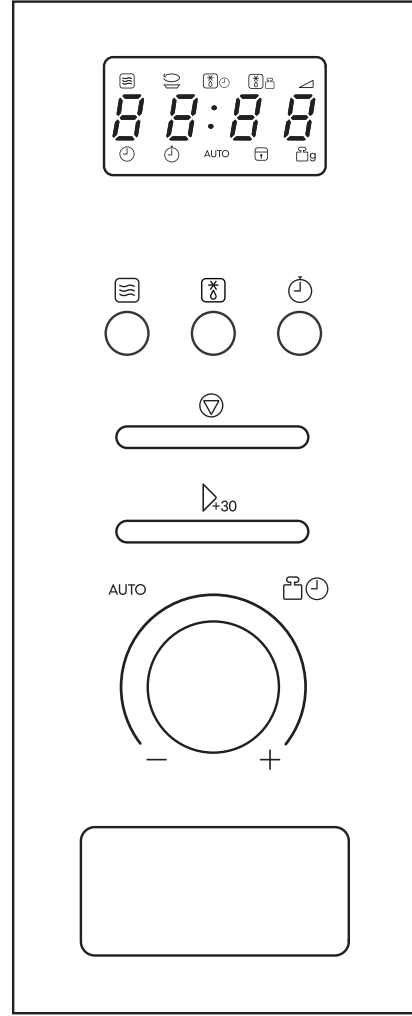
الطهي بالميكروويف

1. اضغط على **ميكروويف** مرة واحدة، ستعرض الشاشة 80 بضوء متقطع. اضغط على **ميكروويف** مع التكرار أو أدر المقبض لاختيار الطاقة التي تريدها.
2. اضغط بعد ذلك على **بدء/30+ ثانية** لتأكيد مستوى الطاقة المحدد.
3. أدر المقبض لضبط وقت الطبخ من 0:05 إلى 95:00.
4. اضغط على **بدء/30+ ثانية** مرة أخرى لبدء الطهي.







ملاحظة: خطوات الوقت عند إدارة المقبض كما يلي:

- | | |
|---------------|-------------|
| 0---1 دقيقة | 5: ثواني |
| 1---5 دقائق | 10: ثواني |
| 5---10 دقائق | 30: ثانية |
| 10---30 دقيقة | دقيقة واحدة |
| 30---95 دقيقة | 5: دقائق |





التعليمات

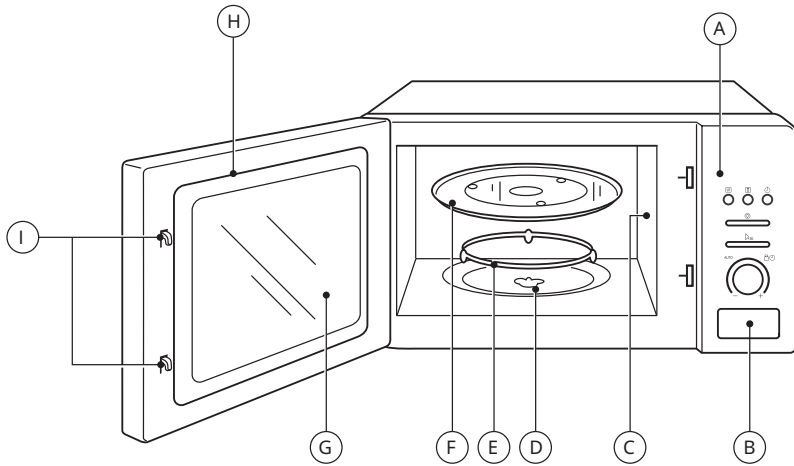
- | | |
|--------------------------------|---|
| ميكروويف |  |
| مؤقت المطبخ/الساعة |  |
| بدء/30 ثانية/تأكيد |  |
| الوقت |  |
| فك تجمد الطعام حسب الوزن/الوقت |  |
| إيقاف/مسح |  |
| القائمة التلقائية | AUTO |

وصف المنتج

إعداد الفرن
اسم أجزاء وملحقات الفرن

أخرج الفرن وجميع المواد من العلبة الكرتون وتجويف الفرن. يأتي الفرن الخاص بك مزودًا بالملحقات التالية:

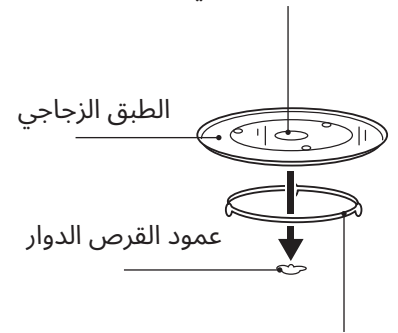
1x	الطبق الزجاجي
1x	مجموعة حلقة القرص الدوار
1x	دليل التعليمات
1x	قالب معايرة الثقيب
1x	تعليمات التجميع



- (a) لوحة التحكم
(b) زر فتح الباب
(c) غطاء توجيه الموجات (لا تقم بإزالته)
(d) عمود القرص الدوار
(e) مجموعة حلقة القرص الدوار
(f) الطبق الزجاجي
(g) نافذة المراقبة
(h) مجموعة الباب
(i) نظام قفل الأمان

تركيب القرص الدوار

الجانب السفلي



مجموعة حلقة القرص الدوار

- (a) لا تضع الطبق الزجاجي مقلوبًا. لا يجب أبدًا تقييد الطبق الزجاجي.
(b) يجب استخدام كل من الطبق الزجاجي ومجموعة القرص الدوار دومًا في أثناء الطهي.
(c) توضع كل الأطعمة وأواني الأطعمة دومًا على الطبق الزجاجي عند الطهي.
(d) إذا حدث تشقق أو كسر في الطبق الزجاجي أو مجموعة القرص الدوار، فاتصل بأقرب مركز خدمة معتمد لديك.
(e) لا تضع أبدًا الطعام المجمد مباشرةً على قرص دوار دافئ.

مواد يمكنك استخدامها في فرن الميكروويف

الأواني	ملاحظات
طبق التحمير	اتبع تعليمات الشركة المصنعة. يجب أن يكون قاع طبق التحمير على الأقل 16/3 بوصة (5 مم) فوق القرص الدوار. قد يؤدي الاستخدام غير السليم إلى كسر القرص الدوار.
أواني العشاء	آمنة للاستخدام في الميكروويف فقط. اتبع تعليمات الشركة المصنعة. لا تستخدم أطباق متشققة أو مكسورة.
الأوعية الزجاجية	أزل دائمًا الغطاء. يُستخدم لتسخين الطعام حتى يصبح دافئًا فقط. معظم الأوعية الزجاجية غير مقاومة للحرارة وقد تنكسر.
الأواني الزجاجية	أواني الفرن الزجاجية المقاومة للحرارة فقط. تأكد من عدم وجود أي حُلي معدنية. لا تستخدم أطباق متشققة أو مكسورة.
أكياس الطهي بالفرن	اتبع تعليمات الشركة المصنعة. لا تُغلقها باستخدام رابطة معدنية. اصنع فتحات للسماح بخروج البخار.
الكؤوس والأطباق الورقية	تُستخدم للطهي للمدة قصيرة/التدفئة فقط. لا تترك الفرن بدون إشراف أثناء الطهي.
المناشف الورقية	تُستخدم لتغطية الطعام لإعادة تسخينه وامتصاص الدهون. تُستخدم للطهي لمدة قصيرة مع مراقبتها فقط.
ورق الفرن (برشمان)	يُستخدم كغطاء لمنع التناثر أو كغلاف للبخار.
البلاستيك	آمنة للاستخدام في الميكروويف فقط. اتبع تعليمات الشركة المصنعة. يجب أن يكون مزود بملصق "آمن للاستخدام في الميكروويف". تلين بعض الحاويات البلاستيكية، عندما يصبح الطعام بداخلها ساخنًا. يجب فتح "أكياس الغليان" والأكياس البلاستيكية محكمة الغلق، أو ثقبها، أو إنشاء فتحات بها وفقًا لتوجيهات العبوة.
الغلاف البلاستيكي	آمنة للاستخدام في الميكروويف فقط. يُستخدم لغطاء الطعام أثناء الطهي للاحتفاظ بالرطوبة. لا تسمح للغلاف البلاستيكي أن يتلامس مع الطعام.
مقاييس الحرارة	مقاييس الحرارة الآمنة للميكروويف فقط (مقاييس حرارة اللحوم والحلوى).
الورق الشمعي	يُستخدم كغطاء لمنع التناثر والاحتفاظ بالرطوبة.

مواد يجب تجنب استخدامها في فرن الميكروويف

الأواني	ملاحظات
صينية من الألومنيوم	قد تنحني. انقل الطعام إلى طبق يمكن استخدامه داخل الميكروويف.
علبة الطعام الكرتونية المزودة بمقبض معدني	قد تنحني. انقل الطعام إلى طبق يمكن استخدامه داخل الميكروويف.
الأواني المعدنية أو المزينة بالمعدن	يحمي المعدن الطعام من طاقة الميكروويف. قد تُسبب الحُلي المعدنية الانحناء.
ربطات معدنية ملتوية	قد تُسبب الانحناء وقد تتسبب في نشوب حريق بالفرن.
أكياس ورقية	قد تتسبب في نشوب حريق بالفرن.
الإسفنج البلاستيكي	قد يذوب الفوم البلاستيكي أو يلوث السائل بداخله عند التعرض
الأخشاب	سيجف الخشب عند استخدامه داخل فرن الميكروويف وقد ينقسم أو يتشقق.

لتقليل مخاطر إصابة الأشخاص في أثناء التأريض

⚠️ خطر

خطر التعرض لصدمة كهربائية قد يؤدي لمس بعض المكونات الداخلية إلى إصابة جسدية خطيرة أو الوفاة. لا تفك هذا الجهاز.

⚠️ تحذير!

- خطر التعرض لصدمة كهربائية يمكن أن يؤدي سوء استخدام التأريض إلى حدوث صدمة كهربائية. لا توصل السلك في مأخذ التيار الكهربائي حتى يتم تثبيت الجهاز وتأريضه بطريقة سليمة.
- يجب تأريض هذا الجهاز. في حالة حدوث قصور في الدائرة الكهربائية، يقلل التأريض من خطر التعرض إلى صدمة كهربائية من خلال توفير سلك تفرغ للتيار الكهربائي. وقد تم تجهيز هذا الجهاز بسلك يتضمن سلكًا مؤرضًا مع قابس مؤرض. يجب توصيل القابس في مأخذ تيار كهربائي مثبت ومؤرض بطريقة سليمة. استشر كهربائيًا أو عامل صيانة مؤهلًا إذا لم تفهم تعليمات التأريض بالكامل، أو في حالة وجود شك حول ما إذا كان الفرن مؤرضًا بشكل صحيح أم لا. إذا كان من الضروري استخدام سلك تمديد، لا تستخدم سوى سلك تمديد مكون من 3 أسلاك.
- يتم توفير سلك قصير للإمداد بالطاقة للحد من المخاطر الناجمة عن التشابك مع السلك الأطول أو التعثر به.
 - في حالة استخدام سلك طويل أو سلك تمديد:
 - يجب أن يكون التصنيف الكهربائي المحدد لمجموعة الكابلات أو كابل الإطالة في نفس مستوى التصنيف الكهربائي للجهاز على الأقل.
 - يجب أن يكون كابل الإطالة من النوع الأرضي الذي يحتوي على 3 أسلاك.
 - يجب ترتيب الكابل الطويل حتى لا ينسدل من سطح المنضدة أو سطح الطاولة ويصبح بإمكان الأطفال سحبه أو التعثر به من دون قصد.

التنظيف

- تأكد من فصل الجهاز من مصدر الإمداد بالطاقة.
- نظف تجويف الفرن باستخدام قطعة قماش مبللة قليلاً.
 - نظف الملحقات بالطريقة المعتادة بالماء والصابون.
 - يجب تنظيف إطار الباب ومانع التسريب والأجزاء المجاورة لهما بحذر باستخدام قطعة قماش مبللة عندما تكون تلك الأجزاء متسخة.
 - لا تستخدم المنظفات الكاشطة القوية أو مكاشط المعادن الحادة لتنظيف زجاج باب الفرن حيث يمكن أن تخدش السطح، الأمر الذي قد يؤدي إلى تحطم الزجاج.
 - نصيحة للتنظيف ★ لسهولة تنظيف جدران التجويف التي يمكن أن يلمسها الطعام المطبوخ: ضع نصف ليمونة في وعاء، وأضف 300 مل (2/1 باينت) من الماء ويتم التسخين على 100% من طاقة الميكروويف لمدة 10 دقائق. امسح الفرن واجعله نظيفًا باستخدام قطعة قماش ناعمة وجافة.

⚠️ تنبيه

خطر التعرض لإصابة جسدية يُعد إجراء أي أعمال صيانة أو إصلاح تتضمن إزالة الغطاء الذي يحمي من التعرض لطاقة الميكروويف من قبل أي شخص بخلاف الشخص المختص أمرًا خطيرًا.

انظر التعليمات الواردة في "المواد التي يمكنك استخدامها في فرن الميكروويف أو التي يجب تجنب استخدامها في فرن الميكروويف".

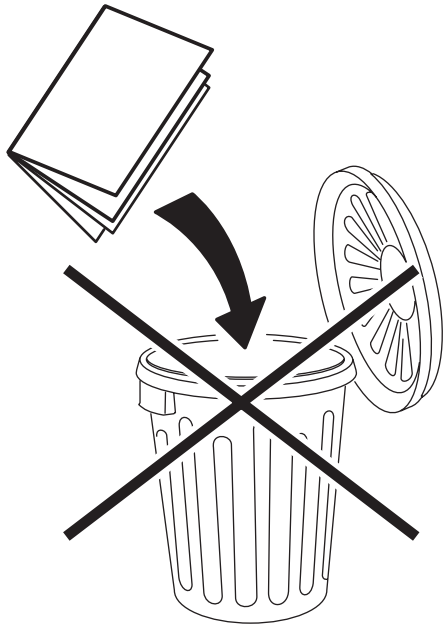
قد توجد بعض الأواني غير المعدنية التي لا تعتبر آمنة للاستخدام في الميكروويف. إذا كانت تساورك الشكوك، يمكنك اختبار الإناء المشكوك فيه باتباع الإجراء التالي.

اختبار الإناء:

- املأ وعاء آمن للميكروويف بعدد 1 كوب من الماء البارد (250 مل) إلى جانب الإناء محل الشك.
- ابدأ الطهي بأقصى طاقة لمدة دقيقة واحدة.
- تحسس الإناء بحذر. إذا كان الإناء الفارغ دافئًا، لا تستخدمه للطهي داخل فرن الميكروويف.
- لا تتجاوز وقت الطهي المحدد بدقة واحدة.

احتفظ بهذه التعليمات

اقرأ بعناية واحفظه للرجوع إليه في المستقبل.



- تحذير: تأكد من عدم وجود أي عناصر أو أدوات غير مناسبة في التجويف للاستخدام مع الفرن الميكروويف قبل تشغيل الجهاز.
- تحذير: لا تستخدم التجويف لتخزين المنتجات القابلة للاشتعال، أو أدوات الطهي، أو الطعام وما شابه ذلك عندما لا يكون الفرن الميكروويف قيد الاستخدام.

- مساحات مطبخ الموظفين في المحلات والمكاتب وبيئات العمل الأخرى؛
- العملاء في الفنادق، والفنادق الصغيرة، والبيئات السكنية الأخرى؛
- منازل المزارع؛
- بيئات من نوع غرف النوم وأماكن الإفطار.
- فرن الميكروويف مُخصص لتسخين الأطعمة والمشروبات. قد يؤدي تجفيف الطعام أو الملابس وتسخين وسائد التدفئة، والنعال، والإسفنج، والقماش الرطب، وما شابه ذلك إلى خطر التعرض لإصابة أو اشتعالها أو نشوب حريق. يجب عدم استخدام العبوات المعدنية للأطعمة والمشروبات لأنها قد تشتعل.
- لا يجب تنظيف الجهاز باستخدام جهاز التنظيف البخار.
- فرن الميكروويف مخصص للاستخدام المدمج.
- يجب وضع السطح الخلفي للأجهزة في مواجهة الحائط.
- هذا الجهاز غير مخصص للتشغيل باستخدام مؤقت خارجي أو نظام تحكم عن بُعد منفصل.
- يمكن أن تكون درجة حرارة الأسطح التي يمكن الوصول إليها مرتفعة أثناء تشغيل الجهاز.

تحذير: عند تشغيل الجهاز في وضع الخلط، لا يجب على الأطفال استخدام الفرن إلا تحت إشراف الكبار بسبب الحرارة المتولدة. ⚠

تحذير: لتجنب التعرض للحرق، يرجى عدم لمس الميكروويف أثناء تشغيله. ⚠

جدول المحتويات

15	المواصفات.....	5	معلومات السلامة.....
16	التركيب والتوصيل.....	9	وصف المنتج.....
16	المخاوف البيئية.....	10	لوحة التحكم.....
17	ضمان Ikea.....	11	استخدام فرن الميكروويف.....
		15	استكشاف الأخطاء وإصلاحها.....

معلومات السلامة

⚠ تحذير! الاحتياطات اللازمة لتجنب احتمالية التعرض لطاقة الميكروويف الزائدة

لسلامتك

- لا تحاول تشغيل هذا الفرن إذا كان بابه مفتوحًا لأن ذلك قد يؤدي إلى التعرض الضار لطاقة الميكروويف. ومن المهم عدم كسر أقفال السلامة أو العبث بها.
- لا تضع أي شيء بين الوجه الأمامي للفرن والباب، ولا تترك أي أتربة أو بقايا منظف تتراكم على الأسطح المانعة للتسرب.

⚠ تحذير! في حالة تلف الباب أو مانعات تسريب الباب، يجب عدم تشغيل الفرن حتى يتم إصلاحه من خلال فني مؤهل.

تعليمات السلامة المهمة

تحذير

- للحد من خطر نشوب حريق، أو تعرض الأشخاص لصدمة كهربائية، أو إصابة أو التعرض لطاقة فرن الميكروويف الزائدة عند استخدام الجهاز، اتبع الاحتياطات الأساسية، بما في ذلك ما يلي:
- اقرأ واتبع ما يلي: "الاحتياطات اللازمة لتجنب احتمالية التعرض لطاقة الميكروويف الزائدة".
- يمكن استخدام هذا الجهاز من خلال الأطفال من سن 8 سنوات وأكبر، والأفراد ذوي القدرات الجسدية أو الحسية أو العقلية المحدودة أو من يفتقرون إلى الخبرة أو المعرفة، شريطة أن يتم تقديم التعليمات المناسبة لهم فيما يتعلق باستخدام الآمن للجهاز وفهم المخاطر المرتبطة باستخدامه.
- احفظ الجهاز وسلكه بعيدًا عن متناول الأطفال الأقل من 8 سنوات.
- في حالة تلف سلك توصيل الكهرباء، يجب استبداله بواسطة الشركة المصنعة أو وكيل الخدمة المعتمد منها أو الأشخاص المؤهلين تأهيلاً مماثلاً لتفادي وقوع أي خطر.

⚠ تحذير: يُعد إجراء أي أعمال صيانة أو إصلاح تتضمن إزالة الغطاء الذي يحمي من التعرض لطاقة الميكروويف من قبل أي شخص بخلاف الشخص المختص أمرًا خطيرًا.

- عند تسخين الطعام في حاويات بلاستيكية أو ورقية، أبق عينيك على الفرن لأنها قابلة للاشتعال.
- لا تستخدم سوى الأواني المناسبة للاستخدام مع أفران الميكروويف.
- في حالة انبعاث دخان، أوقف تشغيل الفرن أو افصله وأبق الباب مغلقًا لإخماد أي السنة لهب.
- يمكن أن يؤدي تسخين المشروبات في الميكروويف إلى تأخر غليانها، ولذلك يجب توخ الحذر عند التعامل مع الحاوية.
- يجب قلب محتويات زجاجات الرضاعة وأوعية أغذية الأطفال أو هزها، ويجب التحقق من درجة الحرارة قبل استخدامها لتجنب التعرض لحروق.
- لا يجب تسخين البيض المطهي في القشر والبيض المسلوق في أفران الميكروويف لأنه قد ينفجر، حتى بعد انتهاء تسخين الميكروويف.
- يجب تنظيف الفرن بانتظام وإزالة أي رواسب أطعمة.
- يمكن أن يؤدي عدم الحفاظ على الفرن في حالة نظيفة إلى إتلاف السطح مما قد يؤثر سلبًا على عمر الجهاز وربما يؤدي إلى وضع خطير.
- لا يجب تثبيت الجهاز خلف باب مزخرف لتجنب الحرارة العالية.
- لا تستخدم سوى مسبار درجة الحرارة الموصى به لهذا الفرن. (خاص بالأفران المزودة بإمكانية استخدام مسبار استشعار درجة الحرارة).
- يجب تشغيل فرن الميكروويف مع فتح الباب المزخرف. (خاص بالأفران المزودة بباب مزخرف).
- هذا الجهاز مصمم للاستخدام المنزلي والأماكن المشابهة مثل:

ENGLISH

5

5

العربية



ENGLISH

Please refer to the last page of this manual for the full list of IKEA appointed After Sales Service Provider and relative national phone numbers.
The electronic user manual is available at www.ikea.com.

العربية
يُرجى الرجوع إلى الصفحة الأخيرة من دليل المستخدم هذا للحصول على القائمة الكاملة لمزوّد خدمة ما بعد البيع المعين من قبل IKEA وأرقام الهواتف المحلية ذات الصلة.
دليل المستخدم الإلكتروني متوفر على www.ikea.com.



LAGAN



Design and Quality
IKEA of Sweden