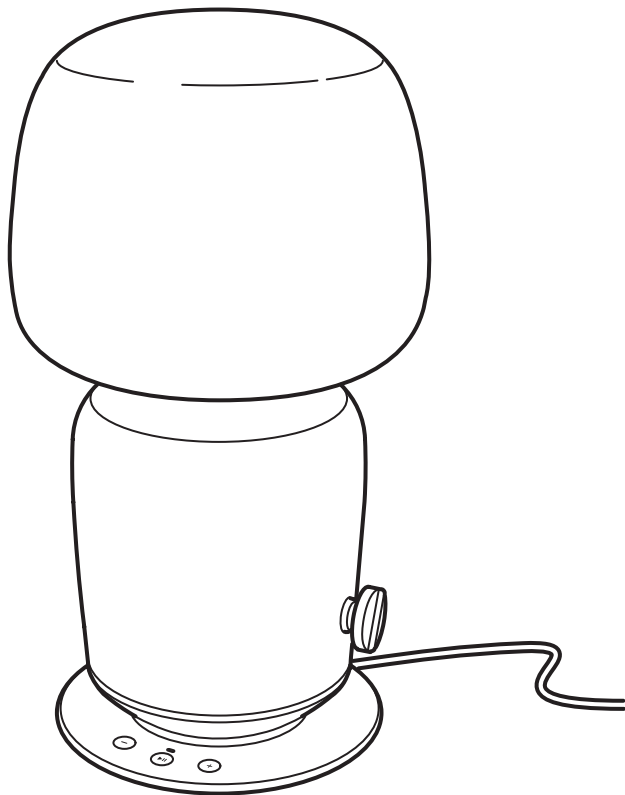


# SYMFONISK



Design and Quality  
IKEA of Sweden

<b>English</b>	<b>3</b>
<b>Deutsch</b>	<b>20</b>
<b>Français</b>	<b>37</b>
<b>Nederlands</b>	<b>55</b>
<b>Svenska</b>	<b>72</b>

SYMFONISK is a wireless speaker that works within the Sonos system and let you enjoy all the music you want all over your home

Two drivers, 3.2 in / 8 cm mid-woofer and tweeter, each with a dedicated amplifier. Play/Pause functionality remembers the last thing you were listening to. You can even skip to the next track with a double press.

Pair two SYMFONISK for amazing stereo sound or use two SYMFONISK as rear speakers for your Sonos home theater product.

Works seamlessly with the complete range of Sonos products.

## Getting started

### Here's what you'll need:

- Wi-Fi—have your network name and password ready. See Sonos requirements.
- Mobile device—connected to the same Wi-Fi. You'll use this for setup.
- The Sonos app—you'll use it to set up and control your Sonos system (install it on the mobile device you're using for setup).
- A Sonos account—If you don't have an account, you'll create one during setup. See Sonos accounts for more information.

### New to Sonos?

Download the app from the app store on your mobile device. Open the app and we'll guide you through setup.

Once your Sonos system is set up, you can use your computer to control the music too. Get the app at [www.sonos.com/support/downloads](http://www.sonos.com/support/downloads).

For the latest system requirements and compatible audio formats, go to <https://faq.sonos.com/specs>.

### Already have Sonos?

You can easily add new speakers anytime (up to 32). Just plug in the speaker and tap > Add Speakers.

If you're adding a Boost, plug it in and tap > Settings > Add Boost or Bridge.

### Sonos requirements

Your Sonos speakers and the mobile device with the Sonos app need to be on the same Wi-Fi network.

### Wireless setup

Setting up Sonos on your home Wi-Fi is the answer for most homes. You just need:

- High-speed DSL/cable modem (or fiber-to-the-home broadband connection).
- 2.4 GHz 802.11b/g/n wireless home network.

**Note:** Satellite internet access may cause playback issues.

If you ever start to experience temperamental Wi-Fi, you can easily switch to wired setup.

### Wired setup

Connect a Sonos Boost or speaker to your router with an Ethernet cable if:

- Your Wi-Fi is slow, temperamental, or doesn't reach all the rooms where you want to use Sonos.
- Your network is already in high demand with streaming video and internet usage and you want a separate wireless network just for your Sonos system.
- Your network is 5 GHz only (not switchable to 2.4 GHz).
- Your router supports only 802.11n (you can't change the settings to support 802.11b/g/n).

**Note:** For uninterrupted playback, use an Ethernet cable to connect the computer or NAS drive that has your music library files to your router.

If you want to change to wireless setup later, see Switch to wireless setup for more information.

### Sonos app

The Sonos app is available for the following devices:

- iOS devices running iOS 11 and later
- Android 7 and higher
- macOS 10.11 and later
- Windows 7 and higher

**Note:** The Sonos app on iOS 10, Android 5 and 6, and Fire OS 5 will no longer receive software updates but can still be used to control commonly-used features.

**Note:** You'll set up Sonos using a mobile device, but then you can use any device to control the music.

**AirPlay 2**

To use AirPlay with SYMFONISK, you need a device running iOS 11.4 or later.

**Supported formats***Audio formats*

Support for compressed MP3, AAC (without DRM), WMA without DRM (including purchased Windows Media downloads), AAC (MPEG4), AAC+, Ogg Vorbis, Apple Lossless, Flac (lossless) music files, as well as uncompressed WAV and AIFF files. Native support for 44.1 kHz sample rates. Additional support for 48 kHz, 32 kHz, 24 kHz, 22 kHz, 16 kHz, 11 kHz, and 8 kHz sample rates. MP3 supports all rates except 11 kHz and 8 kHz.

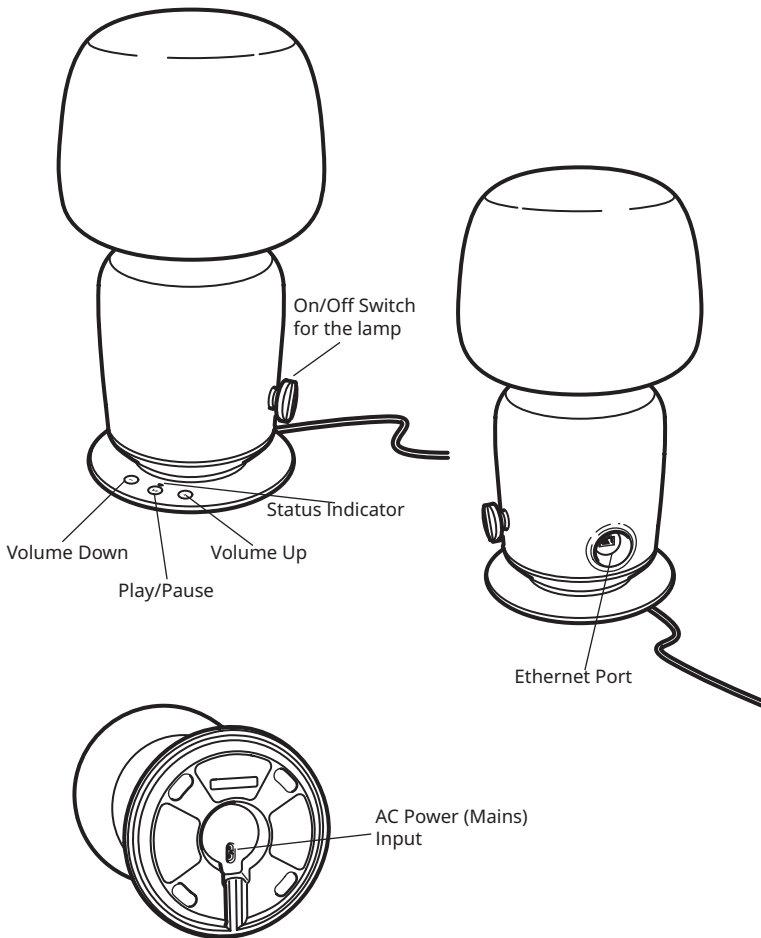
**Note:** Apple “FairPlay,” WMA DRM and WMA Lossless formats not currently supported. Previously purchased Apple “FairPlay” DRM-protected songs may be upgraded.

**Streaming services**

SYMFONISK works seamlessly with most music and content services, as well as downloads from any service offering DRM-free tracks. Service availability varies by region.

For a complete list, see <https://www.sonos.com/music>.

## SYMFONISK front / back



<b>On/Off</b>	Sonos is designed to be always on; the system uses minimal electricity whenever it is not playing music. To stop streaming audio in one room, press the Play/Pause button on the speaker. Light On/Off switch. Turning the light off does not turn off the speaker and audio.
<b>Play/Pause</b>	Toggles between playing and pausing audio (restarts the same music source unless a different source is selected). Press once to start or stop streaming audio Press twice to skip to the next track (if applicable to the selected music source) Press three times to skip to the previous track (if applicable to the selected music source) Press and hold to add the music playing in another room.
<b>Status indicator</b>	Indicates the current status. During normal operation the white light is dimly lit. You can turn off the white light from More -> Settings -> Room Settings.  See Status indicators for a complete list.
<b>Volume up (+) Volume down (-)</b>	Press to adjust the volume up and down.
<b>Ethernet port (5)</b>	You can use an Ethernet cable (supplied) to connect the SYMFONISK to a router, computer, or additional network device such as a network- attached storage (NAS) device.
<b>AC power (mains) input (100 - 240 VAC, 50/60 Hz)</b>	Use only the supplied power cord to connect to a power outlet (using a third-party power cord will void your warranty). Insert the power cord firmly into the SYMFONISK until it is flush with the bottom of the unit.

### Selecting a location

Place SYMFONISK on a solid stable surface. For maximum enjoyment, we have a few guidelines:

The SYMFONISK is designed to work well even when placed next to a wall or other surface.

Care should be taken if placing the SYMFONISK close to an older CRT (cathode ray tube) television. If you notice any discoloration or distortion of your picture quality, simply move the SYMFONISK further from the television.

### Adding to an existing Sonos system

Once you've got your Sonos music system set up, you can easily add more Sonos products any time (up to 32).

1. Select a location for your SYMFONISK (see Selecting a location above for optimal placement guidelines.)
2. Attach the power cord to the SYMFONISK and apply power. Be sure to push the power cord firmly into the bottom of the SYMFONISK until it is flush with the bottom of the unit.

**Note:** If you want to make a wired connection, connect a standard Ethernet cable from your router (or a live network wall plate if you have built-in wiring) to the Ethernet port on the back of a Sonos product.

3. Choose the following options:  
On a mobile device, go to **More -> Settings -> Add a Player or SUB** and follow the prompts.

Thick walls, 2.4 GHz cordless telephones, or the presence of other wireless devices can interfere with or block the wireless network signals from Sonos. If you experience difficulty after positioning a Sonos product, try one or more of the following resolutions—relocate the Sonos product; change the wireless channel your music system is operating on; connect a Sonos product to your router if your setup is currently wireless.



### **Tune your room with Trueplay™ \***

Every room is different. With Trueplay tuning, you can put your Sonos speakers wherever you want. Trueplay analyzes room size, layout, décor, speaker placement, and any other acoustic factors that can impact sound quality. Then it literally adjusts how each woofer and tweeter produces sound in that room (works on mobile devices running iOS 11 or later ).

*\*iPhone, iPad or iPod Touch is needed to setup Trueplay*

Go to **More** -> **Settings** -> **Room Settings**. Pick a room and tap Trueplay Tuning to get started.

**Note:** Trueplay tuning isn't available if VoiceOver is enabled on your iOS device. If you want to tune your speakers, first turn VoiceOver off in your device settings.

### **Creating a stereo pair**

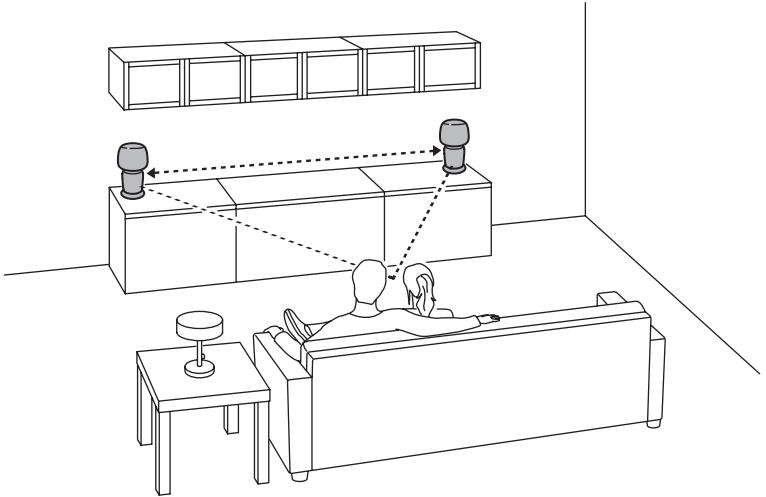
You can group two identical SYMFONISK speakers in the same room to create a wider stereo experience. In this configuration, one speaker serves as the left channel and the other serves as the right channel.

**Note:** The SYMFONISK speakers in the stereo pair must be the same model.

### Optimum placement information

When creating a stereo pair, it is best to place the two Sonos products 8 to 10 feet away from each other.

Your favorite listening position should be 8 to 12 feet from the paired Sonos products. Less distance will increase bass, more distance will improve stereo imaging.



### Using the Sonos app on a mobile device

1. Go to **More** -> **Settings** -> **Room Settings**.
2. Select a SYMFONISK to pair.
3. Select **Create Stereo Pair**, and follow the prompts to set up the stereo pair.

### To separate a stereo pair:

1. Go to **More** -> **Settings** -> **Room Settings**.
2. Select the stereo pair you wish to separate (the stereo pair appears with L + R in the room name.)
3. Select **Separate Stereo Pair**.

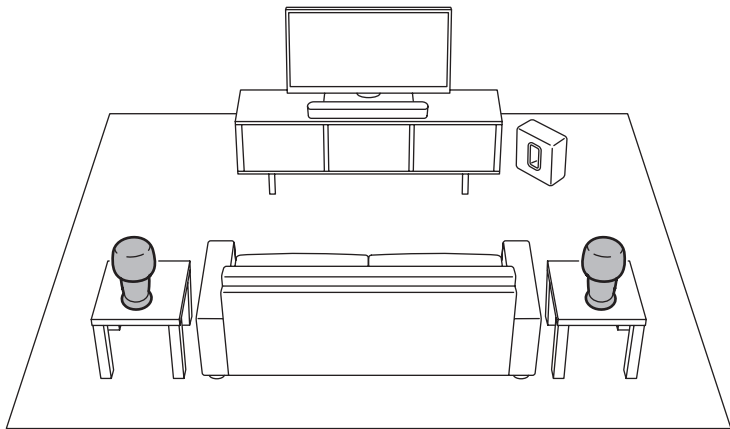
## Surround speakers

### Adding surround speakers

You can easily pair two speakers, such as two PLAY:5s, with a Sonos home theatre product to function as left and right surround channels in your Sonos surround sound experience. You can either configure surround speakers during the setup process, or follow the steps below to add them.

Make sure the Sonos products are the same—you cannot combine a SYMFONISK bookshelf and a SYMFONISK table lamp to function as surround speakers.

Be sure to follow these instructions to set up your surround speakers. Do not create a room group or stereo pair as these will not achieve the left and right surround channel functionality.



### Using the Sonos app on a mobile device

1. Go to **More** -> **Settings** -> **Room Settings**.
2. Select the room the Sonos home theatre product is in.
3. Select **Add Surrounds**.
4. Follow the prompts to add first a left and then a right surround speaker.

### Removing surround speakers

1. Go to **More -> Settings -> Room Settings**.
2. Select the room the surround speakers are in. The room name appears as Room (+LS+RS) in Room Settings.
3. Select **Remove Surrounds**.
4. Select Next to drop the surround sound speakers from your surround system. If these were newly purchased SYMFONISKs they will appear as Unused on the Rooms tab. If these SYMFONISKs existed in your household previously, they revert back to their previous state.  
You can now move them to another room for individual use.

### Changing the surround settings

The default setting is determined by the calibration process. If you wish to make a change, you can follow the steps below.

1. Go to **More -> Settings -> Room Settings**.
2. Select the room the surround speakers are located in. It appears as Room (+LS+RS) in Room Settings.
3. Select **Advanced Audio -> Surround Settings**.
4. Choose one of the following:
  - Surrounds:** Choose On or Off to turn the sound from the surround speakers on and off.
  - TV Level:** Drag your finger across the slider to increase or decrease the volume of the surround speakers for playing TV audio.
  - Music Level:** Drag your finger across the slider to increase or decrease the volume of the surround speakers for playing music.
  - Music Playback:** Choose Ambient (default; subtle, ambient sound) or Full (enables louder, full range sound). This setting applies only to music playback, not TV audio.
  - Balance Surround Speakers (iOS):** Select Balance Surround Speakers and follow the prompts to manually balance your surround speaker levels.

### Playing music

Make a selection by tapping Browse on your mobile device or by selecting a music source from the MUSIC pane on a Mac or PC.

### Radio

Sonos includes a radio guide that provides immediate access to over 100,000 free pre-loaded local and international radio stations, shows and podcasts streaming from every continent.

To select a radio station, simply select **Browse -> Radio by TuneIn** and choose a station.

### Music services

A music service is an online music store or online service that sells audio on a subscription basis. Sonos is compatible with several music services—you can visit our website at [www.sonos.com/music](http://www.sonos.com/music) for the latest list. (Some music services may not be available in your country. Please check the individual music service's website for more information.)

If you are currently subscribed to a music service that's compatible with Sonos, simply add your music service user name and password information to Sonos as needed and you'll have instant access to the music service from your Sonos system.

1. To add a music service, tap **More -> Add Music Services**.
2. Select a music service.
3. Select **Add to Sonos**, and then follow the prompts. Your login and password will be verified with the music service. As soon as your credentials have been verified, you will be able to select the music service from Browse (on mobile devices) or the MUSIC pane (on a Mac or PC).

### AirPlay 2

You can use AirPlay 2 to stream music, movies, podcasts, and more directly from your favorite apps to your SYMFONISK speakers. Listen to Apple Music on your SYMFONISK. Watch a YouTube or Netflix video and enjoy the sound on SYMFONISK.

You can also use AirPlay directly from many of your favorites apps.

### Equalization settings

The SYMFONISK ships with the equalization settings preset to provide the optimal playback experience. If desired, you can change the sound settings (bass, treble, balance, or loudness) to suit your personal preferences.

**Note:** Balance is only adjustable when the SYMFONISK is used in a stereo pair.

1. On a mobile device, go to **More -> Settings -> Room Settings**.
2. Select a room.
3. Select **EQ**, and then drag your finger across the sliders to make adjustments.
4. To change the Loudness setting, touch **On or Off**. (The loudness setting boosts certain frequencies, including bass, to improve the sound at low volume.)

### I have a new router

If you purchase a new router or change your ISP (Internet service provider), you will need to restart all your Sonos products after the router is installed.

**Note:** If the ISP technician connects a Sonos product to the new router, you only need to restart your wireless Sonos products.

1. Disconnect the power cord from all of your Sonos products for at least 5 seconds.
2. Reconnect them one at a time, starting with the Sonos product that is connected to your router (if one is usually connected).  
Wait for your Sonos products to restart. The status indicator light will change to solid white on each product when the restart is complete.

If your Sonos setup is completely wireless (you don't keep a Sonos product connected to your router), you will also need to change your wireless network password. Follow the steps below:

1. Temporarily connect one of your Sonos speakers to the new router with an Ethernet cable.
2. Go to **More -> Settings -> Advanced Settings -> Wireless Setup**. Sonos will detect your network.
3. Enter the password for your wireless network.
4. Once the password is accepted, unplug the speaker from your router and move it back to its original location.

### **I want to change my wireless network password**

If your Sonos system is set up wirelessly and you change your wireless network password, you will also need to change it on your Sonos system.

1. Temporarily connect one of your SYMFONISK speakers to your router with an Ethernet cable.
2. Choose one of the following:
  - Using the Sonos app on a mobile device**, go to More -> Settings -> Advanced Settings -> Wireless Setup.
  - Using the Sonos app on a PC**, go to Settings -> Advanced from the Manage menu. On the General tab, select Wireless Setup.
  - Using the Sonos app on a Mac**, go to Preferences -> Advanced from the Sonos menu. On the General tab, select Wireless Setup.
3. Enter the new wireless network password when prompted.
4. Once the password is accepted, you can unplug the speaker from your router and move it back to its original location.

### **Reset your SYMFONISK speaker**

This process will delete registration information, content saved to My Sonos, and music services from your SYMFONISK speaker. This is commonly done before transferring ownership to another person.

Your Sonos app may also recommend that you go through this process if it can't find your product during setup. If you wish to erase data from multiple SYMFONISK speakers, you will need to perform these steps on each of them.

Resetting all products within your system will permanently delete your system's data. It cannot be restored.

1. Unplug the power cord.
2. Press and hold the ►|| Play/Pause button while you reconnect the power cord.
3. Continue holding the button until the light flashes orange and white.
4. The light will flash green when the process is complete and the product is ready to be set up.

Indicator Lights	Status	Additional Information
Flashing white	Powering up.	
Solid white (dimly lit)	Powered up and associated with a Sonos system (normal operation).	You can turn the white status indicator light on or off from More -> Settings -> Room Settings. (Sonos products that are paired together share the same setting.)
Flashing green	Powered up, not yet associated with a Sonos system. Or WAC (wireless access configuration) join read.	For a SUB, this may indicate the SUB is not yet paired with a speaker.
Slowly flashing green	Surround audio is off or SUB audio is off.	Applicable for speaker configured as a surround speaker, or for a SUB paired with a PLAYBAR.
Solid green	Volume set to zero or muted.	
Flashing orange	During SonosNet setup, this occurs after a button press while the product is searching for a household to join.	
Rapidly flashing orange	Playback / Next Song failed.	Indicates either playback or next song was not possible.
Solid orange	During wireless setup, this occurs while the Sonos open access point is temporarily active. If you are not setting up Sonos, this may indicate warning mode.	If the orange light is on AND the speaker's volume level automatically reduces, this indicates the speaker is in warning mode. Press the Pause button to stop the audio.
Flashing green and white	Speakers are being linked to your Sonos account.	Link the speaker(s) to your account. For more information, see <a href="http://faq.sonos.com/accountlink">http://faq.sonos.com/accountlink</a> .
Flashing red and white	Speaker repartitioning failed.	Please contact Customer Care.



Flashing red	Speaker setup timed out. This happens if a speaker is plugged in for 30 minutes without being set up.	Unplug the speaker, wait 10 seconds, plug it back in, and set it up.
--------------	---	--

## Important safety information

### CARE INSTRUCTIONS

To clean the speaker, wipe with a soft moistened cloth Use another soft, dry cloth to wipe dry.

### RF EXPOSURE INFORMATION

According to RF exposure regulations, under normal operations the end user shall refrain from being closer than 20 cm from the device.



The crossed-out wheeled bin symbol indicates that the item should be disposed of separately from household waste. The item should be handed in for recycling in accordance with local environmental regulations for waste disposal. By separating a marked item from household waste, you will help reduce the volume of waste sent to incinerators or land-fill and minimize any potential negative impact on human health and the environment. For more information, please contact your IKEA store.

## Specifications

Feature	Description
<b>Audio</b>	
<b>Amplifier</b>	Two Class-D digital amplifiers
<b>Tweeter</b>	One tweeter creates a crisp and accurate high frequency response
<b>Mid-Woofer</b>	One mid-woofer ensures the faithful reproduction of mid-range frequencies crucial for accurate playback of vocals and instruments, as well as delivery of deep, rich bass
<b>Stereo Pair setting</b>	Turns two SYMFONISks into separate left and right channel speakers
<b>5.1 Home Theater</b>	Add two SYMFONISK speakers to a Sonos home theatre
<b>Music</b>	
<b>Audio Formats Supported</b>	Support for compressed MP3, AAC (without DRM), WMA without DRM (including purchased Windows Media downloads), AAC (MPEG4), AAC+, Ogg Vorbis, Apple Lossless, Flac (lossless) music files, as well as uncompressed WAV and AIFF files. Native support for 44.1kHz sample rates. Additional support for 48kHz, 32kHz, 24kHz, 22kHz, 16kHz, 11kHz, and 8kHz sample rates. MP3 supports all rates except 11kHz and 8kHz. <b>Note:</b> Apple "FairPlay", WMA DRM and WMA Lossless formats not currently supported. Previously purchased Apple "FairPlay" DRM-protected songs may be upgraded.
<b>Music Services Supported</b>	Sonos works seamlessly with most music services, including Apple Music™, Deezer, Google Play Music, Pandora, Spotify and Radio by Tuneln, as well as downloads from any service offering DRM-free tracks. Service availability varies by region. For a complete list, see <a href="http://www.sonos.com/music">http://www.sonos.com/music</a> .
<b>Internet Radio Supported</b>	Streaming MP3, HLS/AAC, WMA
<b>Album Art Supported</b>	JPEG, PNG, BMP, GIF

**Playlists Supported** Rhapsody, iTunes, WinAmp, and Windows Media Player (.m3u, .pls, .wpl)

### Networking\*

**Wireless Connectivity** Connects to your home Wi-Fi network with any 802.11 b/g/n router. 802.11n only network configurations are not supported—you can either change the router settings to 802.11 b/g/n or connect a Sonos product to your router.

**SonosNet™ Extender** Functions to extend and enhance the power of SonosNet, a secure AES encrypted, peer-to-peer wireless mesh network dedicated exclusively for Sonos to reduce Wi-Fi interference.

**Ethernet Port** One 10/100Mbps Ethernet port allows a connection to your network or to other Sonos speakers.

### General

**Power Supply** 100 - 240 VAC, 50/60 Hz, auto-switchable

**Buttons** Volume and Play/Pause.  
Press Play/Pause button once to start or stop the music; twice to skip to the next track

**LED** Indicates SYMFONISK status

**Dimensions (H x W x D)** 401 x 216 x 216 (mm)

**Weight** 2900 g

**Operating Temperature** 32° to 104° F (0° to 40° C)

**Storage Temperature** 4° to 158° F (-20° to 70° C)

\*Specifications subject to change without notice.

SYMFONISK ist ein kabelloser Speaker, der in ein Sonos Soundsystem integriert wird und mit dem du überall zu Hause deine Lieblingsmusik hören kannst.

Er hat zwei Treiber, 8-cm-Mitteltieftöner und -Hochtöner, jeweils mit einem eigenen Verstärker.

Die Play/Pause-Funktion speichert den zuletzt gehörten Titel. Mit einem doppelten Tastendruck kannst du außerdem zum nächsten Titel springen. Du kannst zwei SYMFONISK Speaker für atemberaubenden Stereosound kombinieren oder sie als hintere Speaker in deinem Sonos Heimkino-System nutzen. Die Speaker sind mit dem gesamten Sortiment von Sonos kompatibel.

## Für den Einstieg

### Das brauchst du:

- WLAN – halte deinen Netzwerknamen und dein Passwort bereit. Siehe Sonos Anforderungen.
- Mobilgerät – verbunden mit dem gleichen Drahtlosnetzwerk. Mit dem Gerät wird das System eingerichtet.
- Die Sonos App – zur Einrichtung und Bedienung deines Sonos Systems (auf dem Mobilgerät installieren, mit dem du die Einrichtung vornimmst).
- Ein Sonos Kundenkonto – falls du noch kein Konto bei Sonos hast, kannst du während der Einrichtung eines anlegen. Weitere Infos in den Sonos Konten.

### Neu bei Sonos?

Lade die App aus deinem App-Store auf dein Mobilgerät herunter. Dann öffnest du die App und lässt dich durch den Einrichtungsprozess führen. Sobald dein Sonos System eingerichtet ist, kannst du die Musikwiedergabe auch über deinen Computer steuern. Hol dir die App unter [www.sonos.com/support/downloads](http://www.sonos.com/support/downloads).

Eine Übersicht über die aktuellen Systemanforderungen und kompatible Audioformate findest du unter <https://faq.sonos.com/specs>.

### Du hast schon Sonos?

Dann kannst du jederzeit weitere Speaker ergänzen (bis zu 32). Speaker einfach einstöpseln und auf > Add Speakers tippen. Wenn du einen WLAN-Verstärker (Sonos Boost) ergänzt, einfach einstecken und > Settings > Add Boost or Bridge drücken.

### Sonos Anforderungen

Deine Sonos Speaker und das Mobilgerät mit der Sonos App müssen mit dem gleichen Drahtlosnetzwerk verbunden sein.

### **Drahtlose Konfiguration**

In den meisten Haushalten wird Sonos über das heimische Drahtlosnetzwerk eingerichtet. Du brauchst:

- High-speed-DSL-/Kabel-Modem (oder Glasfaser-Breitbandverbindung)
- 2,4 GHz 802.11b/g/n Drahtlos-Heimnetzwerk

**Hinweis:** Beim Internetzugriff über Satellit kann es zu Wiedergabeproblemen kommen. Sollte deine WLAN-Verbindung instabil sein, kannst du jederzeit auf die kabelgebundene Konfiguration umsteigen.

### **Kabelgebundene Konfiguration**

Verbinde einen Sonos Boost oder Speaker über ein Ethernet-Kabel mit deinem Router, wenn deine WLAN-Verbindung zu langsam, störanfällig oder nicht in allen Räumen, in denen du Sonos nutzen willst, gleich gut ist;

- wenn dein Drahtlosnetzwerk durch Internetnutzung oder Videostreaming oft stark beansprucht wird und du für dein Sonos System eine separate Verbindung schaffen willst;
- wenn dein Netzwerk nur über die 5-GHz-Frequenz arbeitet (nicht umschaltbar auf 2,4 GHz);
- wenn dein Router nur 802.11n unterstützt (und du die Einstellungen nicht auf 802.11b/g/n ändern kannst).

**Hinweis:** Für eine garantiert unterbrechungsfreie Wiedergabe kannst du deinen Computer oder das NAS-Laufwerk mit deinen Musikdateien mit einem Ethernet-Kabel anschließen.

Wenn du erst später zur drahtlosen Konfiguration wechseln willst, findest du weitere Informationen hierzu unter „Wechseln zur Drahtloskonfiguration“.

### **Sonos App**

Die Sonos App ist für folgende Geräte verfügbar:

- iOS Geräte mit iOS 11 oder neuer
- Android 7 oder neuer
- macOS 10.11 oder neuer
- Windows 7 oder neuer

**Hinweis:** iOS 10, Android 5 und 6 sowie Fire OS 5 erhalten keine Sonos Updates mehr, können aber weiterhin zur Bedienung der gängigen Funktionen genutzt werden.

**Hinweis:** Du richtest Sonos über ein Mobilgerät ein, kannst aber danach für die Bedienung jedes beliebige Gerät benutzen.

## **AirPlay 2**

Um AirPlay mit SYMFONISK nutzen zu können, brauchst du iOS 11.4 oder neuer.

## **Unterstützte Formate**

### *Audioformate*

Unterstützung für: komprimierte MP3, AAC (ohne DRM), WMA ohne DRM-Schutz (einschl. gekaufter Windows Media Downloads), AAC (MPEG4), AAC+, Ogg Vorbis, Apple Lossless, verlustfreie FLAC-Audiodateien und unkomprimierte WAV- und AIFF-Dateien.

Native Unterstützung für 44.1 kHz Samplingraten. Zusätzliche Unterstützung für 48 kHz, 32 kHz, 24 kHz, 22 kHz, 16 kHz, 11 kHz und 8 kHz Samplingraten. MP3 unterstützt alle Frequenzen außer 11 kHz und 8 kHz.

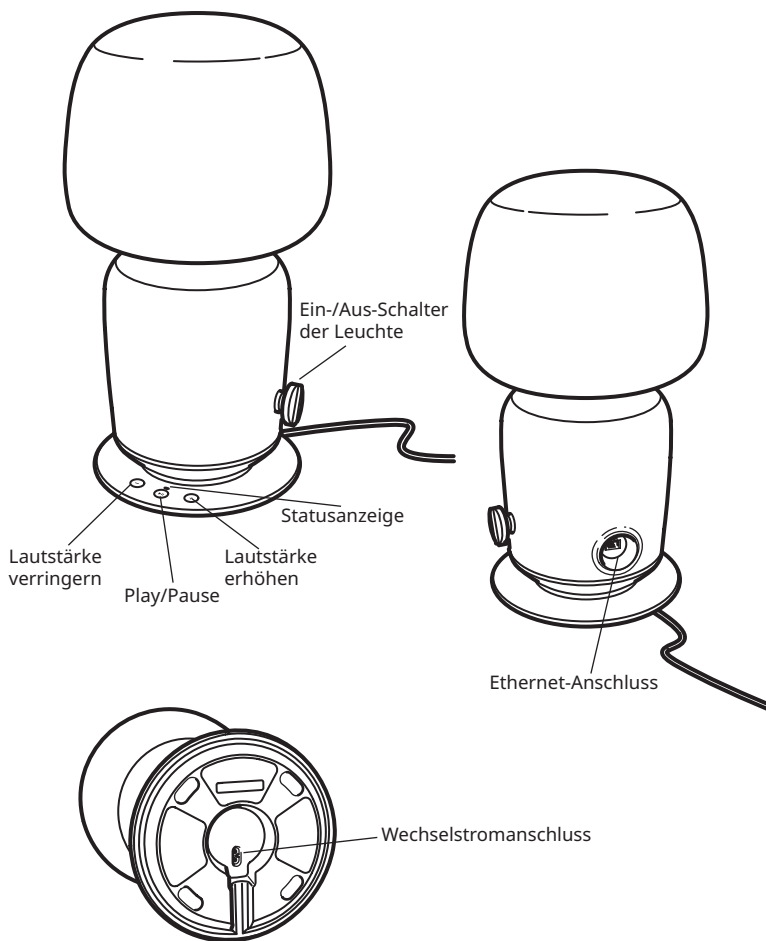
**Hinweis:** Die verlustlosen WMA DRM- und WMA-Formate von Apple „FairPlay“ werden derzeit nicht unterstützt. Zuvor erworbene DRM-geschützte Apple „FairPlay“ Songs können gegebenenfalls mit einem Upgrade kompatibel gemacht werden.

## **Streamingdienste**

SYMFONISK ist nahtlos kompatibel mit den meisten Musikdiensten und Content-Anbietern und kann Downloads von jedem Service verarbeiten, der DRM-freie Inhalte anbietet. Die Verfügbarkeit der Services variiert nach Region.

Eine vollständige Liste findest du unter <https://www.sonos.com/music>

## SYMFONISK Front-/Rückansicht



- Ein/Aus** Sonos ist für den Dauerbetrieb konzipiert. Das System ist im Standbybetrieb besonders energiesparend. Um das Streaming von Audiodateien in einem Raum zu stoppen, die Play/Pause-Taste am Speaker drücken. Ein-/Aus-Schalter der Leuchte. Das Ausschalten der Leuchte beendet nicht die Audiowiedergabe oder den Betrieb des Speakers.
- Play/Pause** Umschalten zwischen Abspielen und Pausieren von Audiodateien (danach startet die gleiche Audiodatei, wenn keine andere Datei ausgewählt wird).  
Einmal drücken, um das Audio-Streaming zu starten/zu stoppen.  
Zweimal drücken, um zum nächsten Titel zu springen (falls bei der gewählten Musikquelle möglich).  
Dreimal drücken, um zum vorherigen Titel zu springen (falls bei der gewählten Musikquelle möglich).  
Drücken und halten, um die Musikwiedergabe in einem anderen Raum zu starten.
- Statusanzeige** Zeigt den aktuellen Status an. Während des normalen Betriebs leuchtet das weiße Licht schwach. Du kannst das weiße Licht unter More -> Settings -> Room Settings ausschalten.  
  
Eine vollständige Liste findest du unter „Statusanzeigen“.
- Lautstärke erhöhen (+)  
Lautstärke verringern (-)** Drücken, um die Lautstärke anzupassen.
- Ethernet-Anschluss** Du kannst ein Ethernetkabel (mitgeliefert) verwenden, um SYMFONISK mit einem Router, Computer oder einem anderen Netzwerkgerät (Network Attached Storage (NAS-Gerät) zu verbinden.
- Wechselstromanschluss  
(100 – 240 VAC, 50/60 Hz)** Verwende ausschließlich das mitgelieferte Stromkabel, um das Gerät an das Stromnetz anzuschließen (bei Verwendung eines Stromkabels eines anderen Anbieters erlischt die Garantie).  
Das Stromkabel fest in das SYMFONISK Gerät einstecken, bis der verbundene Stecker mit dem Boden des Geräts bündig ist.



### Standort auswählen

Stell deinen SYMFONISK Speaker auf eine feste und stabile Oberfläche. Für den optimalen Musikgenuss bitte folgende Tipps beachten:

SYMFONISK funktioniert an jedem Standort gut, auch direkt neben einer Wand oder einer anderen Oberfläche.

Lediglich in der Nähe eines älteren Röhrenfernsehers kann es zu Störungen kommen. Sollte sich das Bild verziehen oder verfärben, stelle deinen SYMFONISK Speaker einfach etwas weiter entfernt auf.

### Ein bestehendes Sonos System ergänzen

Wenn du dein Sonos System einmal eingerichtet hast, kannst du jederzeit weitere Sonos Produkte ergänzen (bis zu 32).

1. Wähle einen Standort für deinen SYMFONISK Speaker (Tipps für den idealen Standort findest du oben unter „Standort auswählen“.)
2. Dann verbindest du SYMFONISK mit dem Stromnetz. Das Stromkabel fest in das SYMFONISK Gerät einstecken, bis der verbundene Stecker mit dem Boden des Geräts bündig ist.

**Hinweis:** Wenn du eine Kabelverbindung einrichten möchtest, schließ ein Ethernetkabel an und verbinde das Gerät mit deinem Router (oder bei einem Unterputzanschluss mit der Netzwerk-Wandplatte).

3. Nun wählst du eine der folgenden Optionen:

Gehe auf deinem Mobilgerät zu **More -> Settings -> Add a Player or SUB** und folge den Anweisungen.

Dicke Wände, schnurlose Telefone mit 2.4 GHz oder das Vorhandensein anderer kabelloser Geräte können Netzwerksignale stören oder blockieren. Wenn du nach der Platzierung eines Sonos Produkts Verbindungsprobleme feststellst, versuche Folgendes: Stell das Sonos Produkt an einem anderen Standort auf. Dann wechselst du den drahtlosen Kanal, auf dem dein Musiksysteem arbeitet. Verbinde ein Sonos Produkt mit deinem Router, wenn du ein kabelloses System eingerichtet hast.

### **Klangliche Feinabstimmung mit Trueplay™ \***

Jeder Raum ist anders. Mit Trueplay kannst du deine Sonos Speaker aufstellen, wo immer du willst. Trueplay analysiert die Raumgröße, das Layout, die Einrichtung, den Speaker Standort und andere akustische Faktoren, die sich auf den Sound auswirken können und passt die Soundeinstellungen der Hoch- und Mitteltieftöner im Raum den Bedingungen entsprechend an (funktioniert bei Mobilgeräten mit iOS 11 oder neuer).  
*\*Zum Einrichten von Trueplay ist ein iPhone, iPad oder iPod Touch erforderlich*

Geh zu **More -> Settings -> Room Settings**. Dann wählst du einen Raum und tippst auf Trueplay Tuning, um die Einrichtung vorzunehmen.

**Hinweis:** Trueplay ist nicht verfügbar, wenn VoiceOver auf deinem iOS-Gerät aktiviert ist. Wenn du deine Speaker einrichten willst, schalte zuerst VoiceOver in den Geräteeinstellungen aus.

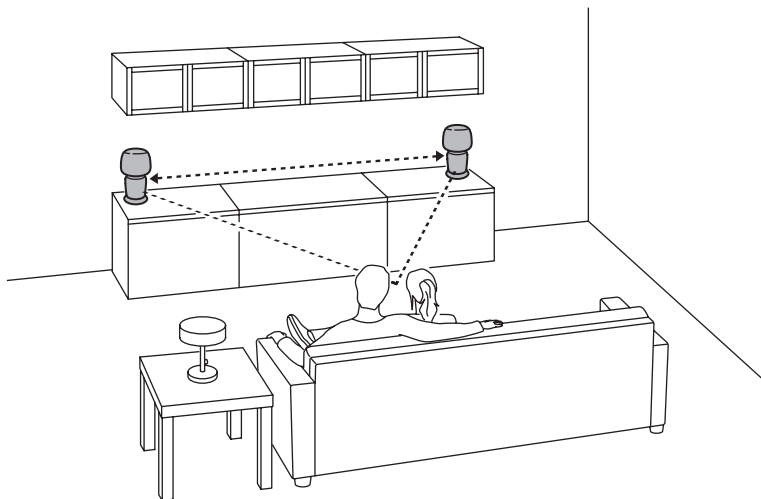
### **Stereopaar einrichten**

Du kannst zwei identische SYMFONISK Speaker im gleichen Raum zu einem Stereopaar verbinden. In dieser Konfiguration dient ein Speaker als linker und einer als rechter Audiokanal.

**Hinweis:** Um ein Stereopaar einzurichten, müssen die SYMFONISK Speaker vom gleichen Modell sein.

### Tipps zur optimalen Platzierung

Bei der Einrichtung eines Stereopaars sollten die beiden Sonos Produkte 2-3 m voneinander entfernt stehen. Deine bevorzugte Hörposition befindet sich am besten 2,50 bis 3,50 m von zwei gekoppelten Sonos Produkten entfernt. Eine geringere Distanz verstärkt den Bass, eine höhere Distanz verbessert das Stereo-Soundbild.



### Nutzung der Sonos App auf einem Mobilgerät

1. Geh zu **More** -> **Settings** -> **Room Settings**.
2. Dann wählst du ein SYMFONISK Produkt zum Koppeln aus.
3. Nun wählst du **Create Stereo Pair** und befolgst die Anweisungen, um das Stereopaar einzurichten.

### Ein Stereopaar trennen:

1. Geh zu **More** -> **Settings** -> **Room Settings**.
2. Dann wählst du das Stereopaar aus, das du trennen willst (die Produkte erscheinen unter der jeweiligen Raumbezeichnung mit der Kennzeichnung L + R).
3. Nun wählst du **Separate Stereo Pair**.

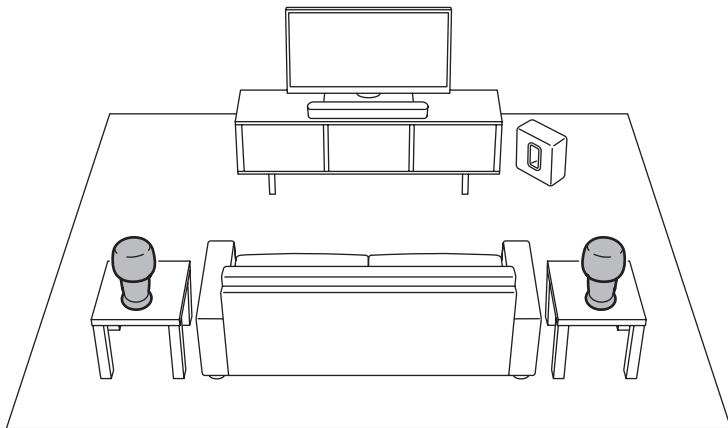
## Surround Speaker

### Surround Speaker hinzufügen

Du kannst ganz einfach zwei Speaker wie z. B. zwei PLAY:5er mit einem Sonos Heimkinosystem verbinden und sie für ein beeindruckendes Surround-Sounderlebnis als linken und rechten Kanal konfigurieren. Dann konfigurierst du die Surround-Speaker entweder während des Einrichtungsprozesses oder ergänzt sie später anhand der nachfolgend beschriebenen Schritte.

Achte darauf, dass es sich um zwei identische Sonos Produkte handelt. Es ist nicht möglich, einen SYMFONISK Regal-WiFi-Speaker und eine SYMFONISK Tischleuchte mit WiFi-Speaker zu einem Surroundpaar zusammenzuschließen.

Beachte folgende Anleitung, um deine Surround-Speaker einzurichten. Erstelle keine Raumgruppe oder ein Stereopaar, da die Speaker dann nicht als linker oder rechter Surroundkanal konfigurierbar sind.



### Nutzung der Sonos App auf einem Mobilgerät

1. Geh zu **More** -> **Settings** -> **Room Settings**.
2. Dann wählst du den Raum, in dem sich das Sonos Heimkinosystem befindet.
3. Nun wählst du **Add Surrounds**.
4. Befolge die Anweisungen, um den linken und dann einen rechten Kanal einzurichten.

### Surround Speaker entfernen

1. Geh zu **More -> Settings -> Room Settings**.
2. Dann wählst du den Raum aus, in dem sich die Speaker befinden. Der Raum wird unter Room (+LS+RS) in Room Settings angezeigt.
3. Nun wählst du **Remove Surrounds**.
4. Wähle Next, um die Surround-Speaker aus deinem Surroundsystem zu entfernen. Neu gekaufte SYMFONISK Produkte erscheinen in der Registerkarte Rooms unter Unused. Wenn die SYMFONISK Produkte schon zuvor in deinem Zuhause installiert waren, werden sie in ihren vorherigen Status zurückversetzt. Nun kannst du sie in einen anderen Raum stellen und separat verwenden.

### Surround-Einstellungen ändern

Bei der Kalibrierung werden die Standardeinstellungen eingestellt. Wenn du Änderungen vornehmen möchtest, gehe wie folgt vor:

1. Geh zu **More -> Settings -> Room Settings**.
2. Dann wählst du den Raum aus, in dem sich die Speaker befinden. Er wird unter Room (+LS+RS) in Room Settings angezeigt.
3. Nun wählst du **Advanced Audio -> Surround Settings**.
4. Wähle eine der folgenden Optionen:
  - Surrounds:** Wähle On oder Off, um den Sound der Surround Speakers ein- oder auszuschalten.
  - TV:** Dann ziehst du mit einem Finger über den Schieberegler, um die Lautstärke der Surround-Speaker beim Abspielen von TV-Sound zu erhöhen oder zu verringern.
  - Musik:** Du ziehst mit einem Finger über den Schieberegler oder verringerst die Lautstärke der Surround-Speaker.
  - Einstellung der Musikwiedergabe:** Wähle Ambient (voreingestellt; dezenter Raumklang) oder Full (für lauteren, volleren Klang). Diese Einstellungen gelten nur für das Abspielen von Musik, nicht von TV-Sound.
  - Balance Surround Speakers (iOS):** Du wählst Balance Surround Speakers und befolgst die Anweisungen, um die Surround Speaker manuell einzustellen.

## Musik abspielen

Wähle über dem Browser deines Mobiltelefons oder durch die Auswahl in deinem Mac oder PC eine Musikdatei aus.

## Radio

Sonos ist mit einem Radioprogramm ausgerüstet, das unmittelbaren Zugriff auf mehr als 100.000 kostenlose, voreingestellte lokale und internationale Radiosender, Shows und Podcasts aus aller Welt bietet.

Um einen Radiosender auszuwählen, wählst du einfach **Browse -> Radio by Tuneln** und wählst einen Sender.

## Musikdienste

Ein Musikdienst ist ein Online-Store oder Service, der Audiodateien auf Abonnementbasis anbietet. Sonos ist mit verschiedenen Musikdiensten kompatibel – eine aktuelle Liste findest du auf unserer Webseite [www.sonos.com/music](http://www.sonos.com/music). (Manche Musikdienste sind eventuell nicht in deinem Land verfügbar. Weitere Infos hierzu findest du auf der Webseite des jeweiligen Musikdienstes.)

Wenn du derzeit bei einem Musikdienst angemeldet bist, der mit Sonos kompatibel ist, hinterlegst du in deinem Sonos System einfach deinen Benutzernamen und dein Passwort und du kannst sofort über das Sonos System auf den Musikdienst zugreifen.

1. Um einen Musikdienst hinzuzufügen, tippe auf **More -> Add Music Services**.
2. Dann wählst du einen Musikdienst aus.
3. Nun wählst du **Add to Sonos** und folgst den Anweisungen. Deine Anmeldedaten werden vom Musikdienst verifiziert. Sobald dies geschehen ist, kannst du den Musikdienst unter Browse (auf Mobilgeräten) oder unter MUSIC (auf einem Mac oder PC) auswählen.

## AirPlay 2

Du kannst AirPlay 2 nutzen, um Musik, Filme, Podcasts und weitere Dateien direkt aus deinen Lieblings-Apps auf deinen SYMFONISK Speakern zu streamen. Auch Apple Music lässt sich auf deinem SYMFONISK anhören. Du kannst dir ein YouTube oder Netflix-Video ansehen und den klangvollen Sound von SYMFONISK genießen.

AirPlay lässt sich auch über viele deiner Lieblings-Apps direkt steuern.

### Entzerrung

SYMFONISK übernimmt für ein optimales Klangerlebnis die voreingestellten Entzerrungseinstellungen. Falls gewünscht, kannst du die Soundeinstellungen (Bass, Höhen, Balance, Lautstärke) an deine persönlichen Vorlieben anpassen.

**Hinweis:** Die Balance ist nur anpassbar, wenn die SYMFONISK Produkte als Stereopaar genutzt werden.

1. Gehe auf einem Mobilgerät zu **More -> Settings -> Room Settings**.
2. Dann wählst du einen Raum.
3. Nun wählst du **EQ** und ziehst dann deinen Finger über die Schieberegler, um Anpassungen vorzunehmen.
4. Um die Lautstärkeinstellungen anzupassen, tippst du auf **On oder Off**. (Die Lautstärkeinstellung verstärkt manche Frequenzen wie Bass, um den Klang bei geringer Lautstärke zu verbessern.)

### Ich habe einen neuen Router

Wenn du einen neuen Router kaufst oder zu einem anderen Internetdienstanbieter wechselst, musst du nach der Neuinstallation alle Sonos Produkte neu einrichten.

**Hinweis:** Wenn der Servicetechniker bereits ein Sonos Produkt mit dem neuen Router verbunden hat, musst du deine kabellosen Sonos Produkte einfach nur neu starten.

1. Dazu entfernst du das Stromkabel für mindestens 5 Sekunden von allen Sonos Produkten.
2. Dann schließt du sie nacheinander wieder an, beginnend mit dem Sonos Produkt, das mit deinem Router verbunden ist (wenn normalerweise eins angeschlossen ist). Warte auf den Neustart deiner Sonos Produkte. Die Statusleuchte leuchtet an jedem Produkt durchgängig weiß, wenn der Neustart abgeschlossen ist.

Ist deine Sonos Konfiguration vollständig kabellos (kein Sonos Produkt ist mit deinem Router verbunden), musst du auch dein Netzwerkpasswort ändern. Befolge die nachfolgenden Schritte:

1. Schließ vorübergehend einen deiner Sonos Speaker über ein Ethernet-Kabel an den neuen Router an.
2. Dann gehst du zu **More -> Settings -> Advanced Settings -> Wireless Setup**. Sonos wird dein Netzwerk erkennen.
3. Gib das Passwort für dein Drahtlosnetzwerk ein.
4. Wenn das Passwort akzeptiert wurde, trennst du die Kabelverbindung zwischen Gerät und Router und stellst das Gerät zurück an seinen Platz.

### **Ich möchte das Passwort für mein Drahtlosnetzwerk ändern**

Wurde dein Sonos System drahtlos eingerichtet und du möchtest dein Passwort für den Zugang zum Drahtlosnetzwerk ändern, musst du die Änderung auch an deinem Sonos System vornehmen.

1. Du schließt vorübergehend einen deiner Sonos Speaker über ein Ethernet-Kabel an den neuen Router an.
2. Dann wählst du eine der folgenden Optionen:  
**Über die Sonos App auf einem Mobilgerät:** Geh zu More -> Settings -> Advanced Settings -> Wireless Setup.  
**Über die Sonos App auf einem PC:** Gehe im Menü Manage zu Settings ->Advanced. Wähle in der Registerkarte General den Punkt Wireless Setup.  
**Über die Sonos App auf einem Mac:** Du gehst im Menü Manage zu Settings ->Advanced. Dann wählst du in der Registerkarte General den Punkt Wireless Setup.
3. Nach Aufforderung gibst du das neue Netzwerkpasswort ein.
4. Wenn das Passwort akzeptiert wurde, trennst du die Kabelverbindung zwischen Gerät und Router und stellst das Gerät zurück an seinen Platz.

### **Meinen SYMFONISK Speaker auf Werkseinstellungen zurücksetzen**

Bei diesem Vorgang werden Registrierungsinformationen, auf My Sonos gespeicherte Inhalte und die Musikdienste von deinem SYMFONISK Speaker gelöscht. Dies erfolgt in der Regel, bevor man das Gerät an eine andere Person weitergibt. Deine Sonos App empfiehlt dir gegebenenfalls auch, diesen Prozess zu durchlaufen, wenn sie dein Produkt beim Einrichtungsvorgang nicht erkennt. Wenn du Daten aus mehreren SYMFONISK Speakern löschen willst, musst du an jedem einzelnen davon die nachfolgenden Schritte durchführen.

Wenn du alle Produkte in deinem System zurücksetzt, gehen alle Daten dauerhaft verloren und können nicht wiederhergestellt werden.

1. Zuerst ziehst du den Netzstecker.
2. Dann drückst und hältst du die ►|| Play/Pause-Taste, während du den Netzstecker wieder einsteckst.
3. Halte die Taste gedrückt, bis die Leuchte orange und weiß blinkt.
4. Die Leuchte blinkt grün auf, wenn der Prozess abgeschlossen und das Produkt bereit für die Einrichtung ist.



<b>Statusleuchte</b>	<b>Status</b>	<b>Weitere Informationen</b>
Blinkt weiß auf	Gerät wird hochgefahren.	
Leuchtet durchgängig schwach weiß	Gerät ist betriebsbereit und einem Sonos System zugeordnet (normaler Betrieb).	Du kannst die weiße Statusanzeige ein- oder ausschalten unter More -> Settings -> Room Settings. (Sonos Produkte, die miteinander gekoppelt sind, haben die gleichen Einstellungen.)
Blinkt grün	Gerät ist betriebsbereit, aber noch nicht mit einem Sonos System verbunden.	Bei einem SUB kann das bedeuten, dass das SUB noch nicht mit einem Speaker gekoppelt ist.
Blinkt langsam grün	Surround-Sound oder SUB-Audio aus.	Gilt für Speaker, die als Surround-Speaker konfiguriert sind oder ein SUB, das mit einer PLAYBAR gekoppelt ist.
Leuchtet dauerhaft grün	Lautstärke auf null oder stumm geschaltet.	
Blinkt orange	Erscheint während des SonosNet Setups, wenn das Gerät nach Tastendruck die Umgebung nach verfügbaren Netzwerken absucht.	
Blinkt schnell orange	Wiedergabe/nächster Titel fehlgeschlagen	Gibt an, dass entweder die Wiedergabe oder das Springen zum nächsten Titel nicht möglich ist.
Blinkt dauerhaft orange	Erscheint während der Einrichtung der Drahtlosverbindung, während der offene Zugangspunkt von Sonos vorübergehend aktiviert ist. Wenn du Sonos nicht gerade einrichtest, kann dies auf eine Warnung hinweisen.	Leuchtet die Leuchte orange UND reduziert sich die Lautstärke des Speakers automatisch, bedeutet das, dass der Speaker in den Warnmodus geschaltet hat. Drück die Pausetaste, um die Audiowiedergabe zu stoppen.

Blinkt grün und weiß	Speaker stellen gerade eine Verbindung mit deinem Sonos Konto her.	Verknüpfe deine(n) Speaker mit deinem Konto. Weitere Infos unter <a href="http://faq.sonos.com/accountlink">http://faq.sonos.com/accountlink</a> .
Blinkt rot und weiß	Neupartitionieren des Speakers fehlgeschlagen.	Bitte wende dich an den Kundenservice.
Blinkt rot	Einrichtungszeitraum abgelaufen. Erscheint, wenn der Speaker seit 30 Minuten eingesteckt ist und nicht eingerichtet wurde.	Du ziehst den Stecker, wartest 10 Sekunden, schließt das Gerät erneut an und richtest es ein.

## Wichtige Sicherheitsinformation

### PFLEGEANLEITUNG

Den Speaker mit einem weichen, feuchten Tuch reinigen und mit einem trockenen Tuch trocken wischen.

### INFORMATIONEN ZUR HF-EXPOSITION

Gemäß den Vorschriften zur HF-Exposition sollte der Endbenutzer im Normalbetrieb mindestens 20 cm Abstand zum Gerät halten.



Das Symbol der durchgestrichenen Mülltonne auf Rädern weist darauf hin, dass das Gerät getrennt vom Hausmüll entsorgt werden sollte. Der Artikel sollte in Übereinstimmung mit den lokalen Umweltvorschriften zur Abfallentsorgung dem Recycling zugeführt werden. Wenn du einen so gekennzeichneten Artikel vom Hausmüll trennst, trägst du dazu bei, die Abfallmenge zu reduzieren, der in der Verbrennungsanlage oder auf der Mülldeponie landet.

Damit hilfst du, negative Auswirkungen für die menschliche Gesundheit und die Umwelt zu vermeiden. Weitere Infos erhältst du in deinem IKEA Einrichtungshaus.

## Spezifikationen

Funktion	Beschreibung
<b>Verstärker</b>	Zwei Class-D-Digitalverstärker
<b>Hochtöner</b>	Ein Hochtöner erzeugt einen scharfen und präzisen Klang im Hochtonbereich.
<b>Mitteltieftöner</b>	Ein Mitteltieftöner sorgt für die getreue Wiedergabe mittlerer Frequenzen, die für die präzise Wiedergabe von Gesang und Instrumenten sowie für tiefe, satte Bässe von Bedeutung sind.
<b>Stereopaar-Konfiguration</b>	Kombiniert 2 SYMFONISK Speaker zu einem Paar mit einem separaten rechten und linken Kanal.
<b>5.1 Heimkinosystem</b>	Kombiniert zwei SYMFONISK Speaker mit einem Sonos Heimkinosystem.

## Musik

<b>Unterstützte Audioformate</b>	<p>Unterstützung für: komprimierte MP3, AAC (ohne DRM), WMA ohne DRM-Schutz (einschl. gekaufte Windows Media Downloads), AAC (MPEG4), AAC+, Ogg Vorbis, Apple Lossless, verlustfreie FLAC-Audiodateien und unkomprimierte WAV und AIFF-Dateien. Native Unterstützung für 44.1kHz Samplingraten. Zusätzliche Unterstützung für 48kHz, 32kHz, 24kHz, 22kHz, 16kHz, 11kHz und 8kHz Samplingraten. MP3 unterstützt alle Frequenzen außer 11kHz und 8kHz.</p> <p><b>Hinweis:</b> Die verlustlosen WMA DRM- und WMA-Formate von Apple „FairPlay“ werden derzeit nicht unterstützt. Zuvor erworbene DRM-geschützte Apple „FairPlay“ Songs können gegebenenfalls mit einem Upgrade kompatibel gemacht werden.</p>
<b>Unterstützte Musikdienste</b>	<p>Sonos funktioniert reibungslos mit den meisten Musikdiensten, darunter Apple Music™, Deezer, Google Play Music, Pandora, Spotify und Radio by Tuneln und unterstützt alle Downloads von Anbietern DRM-freier Titel. Die Verfügbarkeit der Services variiert nach Region. Eine vollständige Liste findest du unter <a href="http://www.sonos.com/music">http://www.sonos.com/music</a>.</p>
<b>Unterstützte Internet-Radiodienste</b>	Streaming von MP3, HLS/AAC, WMA

<b>Unterstützte Coverbilder</b>	JPEG, PNG, BMP, GIF
<b>Unterstützte Playlists</b>	Rhapsody, iTunes, WinAmp und Windows Media Player (.m3u, .pls, .wpl)

### Networking\*

<b>Drahtlos-Konnektivität</b>	Du kannst deinen Speaker über jeden Router mit 802.11 b/g/n Standard mit deinem Drahtlosnetzwerk verbinden. Netzwerkkonfigurationen, die nur den 802.11n Standard erfüllen, werden nicht unterstützt. Du kannst deine Routereinstellungen entweder auf 802.11 b/g/n ändern oder ein Sonos Produkt mit deinem Router verbinden.
<b>SonosNet™ Extender</b>	Funktionen, die die Leistung von SonosNet verbessern, einem sicheren, AES-verschlüsselten, drahtlosen Peer-to-Peer-Mesh-Netzwerk, das speziell für Sonos entwickelt wurde, um netzabhängige Interferenzen zu vermeiden.
<b>Ethernet-Anschluss</b>	Ein 10/100Mbps Ethernetanschluss ermöglicht eine Verbindung mit deinem Netzwerk oder mit anderen Sonos Speakern.

### Allgemeine Angaben

<b>Spannungsversorgung</b>	100 – 240 VAC, 50/60 Hz, selbstschaltend
<b>Tasten</b>	Lautstärke und Play/Pause. Drücke die Play/Pause-Taste, um die Wiedergabe zu starten/zu stoppen; zweimal drücken, um zum nächsten Titel zu springen.
<b>LED</b>	Zeigt den Status deines SYMFONISK an
<b>Abmessungen (H x B x T)</b>	401 x 216 x 216 (mm)
<b>Gewicht</b>	2900 g
<b>Betriebstemperatur</b>	0° bis 40° C (32° bis 104° F)
<b>Lagertemperatur</b>	-20° bis 70° C (4° bis 158° F)

\*Spezifikationen können ohne Vorankündigung geändert werden.

SYMFONISK est une enceinte sans fil qui fonctionne avec le système Sonos et vous permet de diffuser votre musique partout chez vous. Elle intègre deux haut-parleurs (mid-woofer et tweeter de 8 cm), chacun avec un amplificateur dédié.

La fonction Lecture/Pause garde en mémoire ce que vous écoutiez en dernier. Il vous suffit d'appuyer deux fois sur le bouton pour passer à la piste suivante. Couplez deux SYMFONISK pour un son stéréo incroyable ou utilisez deux SYMFONISK comme enceintes arrière pour votre home cinéma Sonos. Fonctionne parfaitement avec l'ensemble des produits Sonos.

### **Pour commencer**

#### **Voici ce dont vous aurez besoin :**

- Une connexion Wi-Fi : préparez le nom de votre réseau et votre mot de passe. Vérifiez la configuration requise pour Sonos.
- Un appareil mobile : il doit être connecté au même réseau Wi-Fi. Vous allez en avoir besoin pour la configuration.
- L'appli Sonos : vous l'utiliserez pour configurer et contrôler votre système Sonos (installez-la sur l'appareil mobile que vous utilisez pour la configuration).
- Un compte Sonos : si vous n'avez pas de compte, il vous faudra en créer un lors de la configuration. Voir les sections ci-dessous pour plus d'informations sur les comptes Sonos.

#### **Vous découvrez Sonos ?**

Téléchargez l'appli depuis la boutique d'applications sur votre appareil mobile. Ouvrez l'appli et nous vous guiderons pour la configuration. Une fois votre système Sonos configuré, vous pourrez également utiliser votre ordinateur pour contrôler la musique. Téléchargez l'appli sur [www.sonos.com/support/downloads](https://www.sonos.com/support/downloads).

Pour connaître la dernière configuration système requise et les formats audio compatibles, consultez la page <https://faq.sonos.com/specs>.

#### **Vous avez déjà Sonos ?**

Vous pouvez facilement ajouter de nouvelles enceintes à tout moment (jusqu'à 32). Branchez simplement l'enceinte et appuyez sur > Ajouter des enceintes. Si vous ajoutez un Boost, branchez-le et appuyez sur > Paramètres > Ajouter Boost ou Bridge.

#### **Configuration requise pour Sonos**

Vos enceintes Sonos et votre appareil mobile avec l'appli Sonos doivent être connectés au même réseau Wi-Fi.

### Configuration sans fil

Installer votre système Sonos sur votre réseau Wi-Fi domestique est souvent la solution la plus adaptée. Il vous faudra simplement :

- un modem ADSL/câble haute vitesse (ou une connexion haut débit fibre-to-the-home).
- un réseau domestique sans fil 2,4 GHz 802.11b/g/n.

**Remarque :** l'accès Internet par satellite peut entraîner des problèmes de lecture. Si votre Wi-Fi fait des siennes, vous pouvez facilement basculer vers une configuration filaire.

### Configuration filaire

Connectez un Sonos Boost ou une enceinte à votre routeur avec un câble Ethernet si :

- votre connexion Wi-Fi est lente, capricieuse, ou ne couvre pas toutes les pièces où vous souhaitez utiliser Sonos ;
- votre réseau est déjà surchargé par le streaming vidéo et la navigation Internet et vous souhaitez un réseau sans fil distinct uniquement pour votre système Sonos ;
- votre réseau émet uniquement sur une bande 5 GHz (non commutable à 2,4 GHz) ;
- votre routeur ne prend en charge que le 802.11n (vous ne pouvez pas modifier les paramètres pour prendre en charge le 802.11b/g/n).

**Remarque :** Pour une lecture ininterrompue, utilisez un câble Ethernet pour connecter l'ordinateur ou le lecteur NAS contenant votre bibliothèque musicale à votre routeur.

Si vous souhaitez passer à une configuration sans fil par la suite, consultez la section correspondante ci-dessus pour plus d'informations.

### Appli Sonos

L'appli Sonos est disponible pour les appareils suivants :

- appareils iOS fonctionnant sous iOS 11 ou une version ultérieure
- Android 7 et versions ultérieures
- macOS 10.11 et versions ultérieures
- Windows 7 et versions ultérieures

**Remarque :** l'appli Sonos sur iOS 10, Android 5 et 6 et Fire OS 5 ne recevra plus de mises à jour logicielles, mais peut toujours être utilisée pour contrôler les fonctionnalités couramment utilisées.

**Remarque :** vous allez configurer Sonos à l'aide d'un appareil mobile, mais vous pouvez ensuite utiliser n'importe quel appareil pour contrôler la musique.

## **AirPlay 2**

Pour utiliser AirPlay avec SYMFONISK, vous avez besoin d'un appareil fonctionnant sous iOS 11.4 ou une version ultérieure de l'iOS.

### **Formats pris en charge**

#### *Formats audio*

Prise en charge des fichiers MP3 compressés, AAC (sans DRM), WMA sans DRM (y compris les téléchargements Windows Media achetés), AAC (MPEG4), AAC+, Ogg Vorbis, Apple Lossless, Flac (lossless), ainsi que des fichiers WAV et AIFF non compressés.

Prise en charge native des fréquences d'échantillonnage de 44,1 kHz. Prise en charge supplémentaire pour les fréquences d'échantillonnage de 48 kHz, 32 kHz, 24 kHz, 22 kHz, 16 kHz, 11 kHz et 8 kHz. Le format MP3 prend en charge toutes les fréquences sauf 11 kHz et 8 kHz.

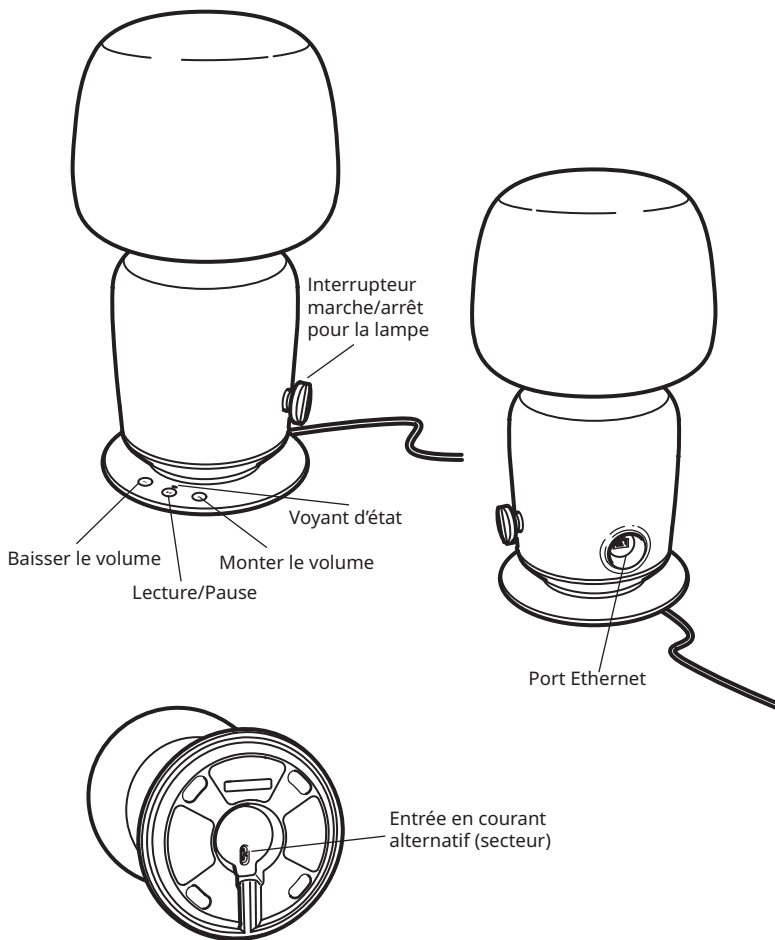
**Remarque :** Les formats « FairPlay » d'Apple, les WMA avec DRM et les WMA Lossless ne sont actuellement pas pris en charge. Les chansons protégées par le DRM « FairPlay » d'Apple que vous avez achetées peuvent être converties.

### **Services de streaming**

SYMFONISK fonctionne parfaitement avec la plupart des services de streaming de musique et de contenu, ainsi qu'avec les produits disponibles en téléchargement depuis tous les services offrant des pistes sans DRM. La disponibilité des services varie selon la région.

Pour la liste complète des services de streaming disponibles, veuillez consulter la page <https://www.sonos.com/music>.

## SYMFONISK avant/arrière





<b>Marche/Arrêt</b>	Sonos est conçu pour être toujours activé ; le système consomme un minimum d'électricité lorsqu'aucune musique n'est diffusée. Pour arrêter le streaming audio dans une pièce, appuyez sur le bouton Lecture/Pause de l'enceinte. Interrupteur d'éclairage marche/arrêt. Éteindre la lumière ne désactive pas l'enceinte et le son.
<b>Lecture/Pause</b>	Permet de basculer entre la lecture et la pause de l'audio (redémarre la même source musicale sauf si une autre source est sélectionnée). Appuyez une fois pour démarrer ou arrêter le streaming audio Appuyez deux fois pour passer à la piste suivante (si la source musicale le permet) Appuyez trois fois pour revenir à la piste précédente (si la source musicale le permet) Maintenez le bouton appuyé pour ajouter une piste musicale diffusée dans une autre pièce.
<b>Voyant d'état</b>	Indique l'état actuel. Lorsque l'appareil fonctionne normalement, le voyant diffuse une faible lumière blanche. Vous pouvez désactiver la lumière blanche dans Plus -> Paramètres -> Paramètres de la pièce. Voir la section consacrée aux différentes lumières du voyant pour des informations détaillées.
<b>Monter le volume (+) Baisser le volume (-)</b>	Appuyer pour monter ou baisser le volume.
<b>Port Ethernet</b>	Vous pouvez utiliser un câble Ethernet (fourni) pour connecter l'enceinte SYMFONISK à un routeur, un ordinateur ou un périphérique réseau supplémentaire tel qu'un périphérique de stockage en réseau (NAS).
<b>Entrée en courant alternatif (secteur) (100 à 240 V CA, 50/60 Hz)</b>	Utilisez uniquement le câble d'alimentation fourni pour vous connecter à une prise de courant (l'utilisation d'un câble différent annulera votre garantie). Insérez fermement le câble d'alimentation dans le socle de l'enceinte SYMFONISK.

### Choisir un emplacement

Placez SYMFONISK sur une surface solide et stable. Pour en profiter un maximum, voici quelques conseils :

L'enceinte SYMFONISK est conçue pour bien fonctionner même lorsqu'elle est placée à côté d'un mur ou d'une autre surface.

Des précautions doivent être prises si vous placez SYMFONISK à proximité d'un ancien téléviseur à tube cathodique (CRT). Si vous remarquez une décoloration ou une déformation de la qualité de votre image, éloignez simplement l'enceinte SYMFONISK du téléviseur.

### Ajouter un produit à un système Sonos existant

Une fois que vous avez configuré votre système musical Sonos, vous pouvez facilement ajouter d'autres produits Sonos à tout moment (jusqu'à 32).

1. Choisissez un emplacement pour votre enceinte SYMFONISK (voir « Choisir un emplacement » ci-dessus pour obtenir un son optimal).
2. Branchez le câble d'alimentation à l'enceinte SYMFONISK et mettez-la en marche. Veillez à insérer fermement le câble d'alimentation dans le socle de l'enceinte SYMFONISK.

**Remarque :** Si vous souhaitez une connexion filaire, connectez un câble Ethernet standard de votre routeur (ou une plaque murale réseau sous tension si vous avez un câblage intégré) au port Ethernet situé à l'arrière de votre produit Sonos.

3. Choisissez les options suivantes : sur un appareil mobile, dans l'onglet **Plus**, appuyez sur **Paramètres** -> **Ajouter un lecteur ou un SUB** et suivez les instructions.

Des murs épais, des téléphones sans fil 2,4 GHz ou la présence d'autres appareils sans fil peuvent interférer ou bloquer les signaux du réseau sans fil de votre système Sonos. Si vous rencontrez des difficultés après avoir installé un produit Sonos, essayez une ou plusieurs des solutions suivantes : déplacez le produit Sonos ; changez le canal sans fil sur lequel fonctionne votre système musical ; connectez votre produit Sonos à votre routeur si votre configuration est actuellement sans fil.

### **Adaptez le son à votre pièce avec Trueplay™ \***

Chaque pièce est différente. Avec le réglage Trueplay, vous pouvez placer vos enceintes Sonos où vous le souhaitez. Trueplay analyse la taille de la pièce, l'agencement, la décoration, le positionnement des enceintes et tout autre facteur acoustique susceptible d'affecter la qualité du son. Il ajuste ensuite le son produit par chaque woofer et chaque tweeter dans cette pièce (fonctionnalité compatible avec les appareils mobiles fonctionnant sous iOS 8 ou version ultérieure).

*\*Un iPhone, un iPad ou un iPod Touch est nécessaire pour configurer Trueplay*

Dans l'onglet **Plus**, appuyez sur **Paramètres** -> **Paramètres de la pièce**. Choisissez une pièce et appuyez sur « Trueplay Tuning » pour commencer.

**Remarque** : Le réglage Trueplay n'est pas disponible si VoiceOver est activé sur votre appareil iOS. Si vous souhaitez régler vos enceintes, désactivez d'abord VoiceOver dans les paramètres de votre appareil.

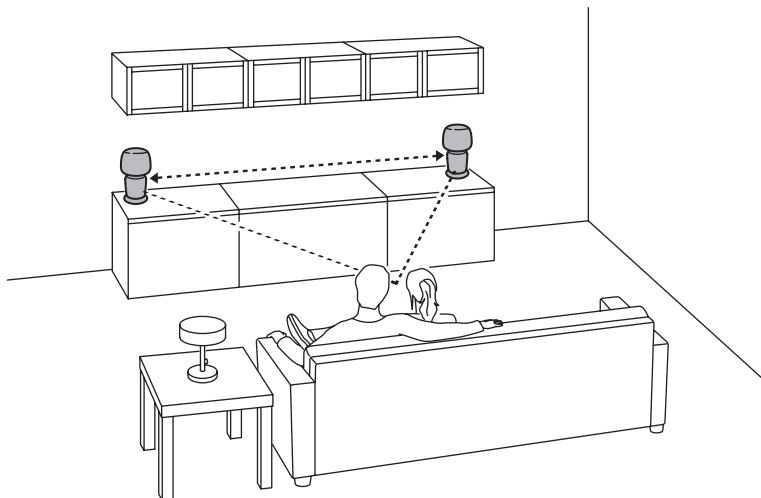
### **Créer une paire stéréo**

Vous pouvez regrouper deux enceintes SYMFONISK identiques dans la même pièce pour créer une expérience stéréo plus ample. Dans cette configuration, une enceinte sert de canal gauche et l'autre de canal droit.

**Remarque** : Pour créer une paire stéréo, vous devez disposer de deux enceintes Sonos du même modèle.

### Pour un son optimal

Lorsque vous créez une paire stéréo, il est préférable que les deux produits Sonos soient éloignés d'environ 2,5 à 3 mètres l'un de l'autre. Pour profiter pleinement du son, vous devrez être à une distance de 2,5 à 3,5 mètres de vos enceintes Sonos appariées. Si vous êtes plus proche, les basses seront amplifiées : une distance appropriée améliore l'imagerie stéréo.



### Utiliser l'appli Sonos sur un appareil mobile

1. Dans l'onglet **Plus**, appuyez sur **Paramètres** -> **Paramètres de la pièce**.
2. Sélectionnez une enceinte SYMFONISK à appairer.
3. Sélectionnez « **Créer une paire stéréo** » et suivez les instructions pour configurer la paire stéréo.

### Séparer une paire stéréo

1. Dans l'onglet **Plus**, appuyez sur **Paramètres** -> **Paramètres de la pièce**.
2. Sélectionnez la paire stéréo que vous souhaitez séparer (la paire stéréo apparaît avec L+R dans le nom de la pièce).
3. Sélectionnez « **Séparer la paire stéréo** ».

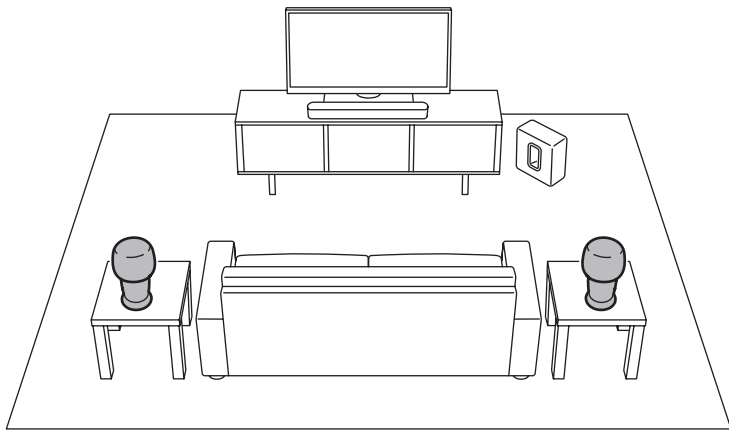
## Enceintes surround

### Ajouter des enceintes surround

Vous pouvez facilement appairer deux enceintes, par exemple deux PLAY:5, à un home cinéma Sonos : elles fonctionneront comme les canaux surround gauche et droit dans votre système Sonos. Vous pouvez soit configurer les enceintes surround pendant la configuration du système entier, soit suivre les étapes ci-dessous pour les ajouter ultérieurement.

Les enceintes Sonos doivent être identiques : vous ne pouvez pas combiner une étagère SYMFONISK et une lampe de table SYMFONISK et vous attendre à ce qu'elles fonctionnent comme des enceintes surround.

Assurez-vous de suivre les instructions ci-dessous pour configurer vos enceintes surround. Ne créez pas de groupe de pièces ou de paire stéréo, car il serait alors impossible de bénéficier de la fonctionnalité de canal surround gauche et droit.



### Utiliser l'appli Sonos sur un appareil mobile

1. Dans l'onglet **Plus**, appuyez sur **Paramètres** -> **Paramètres de la pièce**.
2. Sélectionnez la pièce dans laquelle se trouve le home cinéma Sonos.
3. Sélectionnez « **Ajouter surrounds** ».
4. Suivez les instructions pour ajouter tout d'abord une enceinte surround gauche puis une enceinte surround droite.

### Supprimer des enceintes surround

1. Dans l'onglet **Plus**, appuyez sur **Paramètres -> Paramètres de la pièce**.
2. Sélectionnez la pièce à laquelle les enceintes surround sont associées. La pièce est affichée en tant que Pièce (+LS+RS) dans le menu Paramètres de la pièce.
3. Sélectionnez « **Supprimer les enceintes surround** ».
4. Sélectionnez « **Suivant** » pour séparer les enceintes surround de votre système surround. S'il s'agit d'enceintes SYMFONISK nouvellement achetées, elles apparaîtront comme inutilisées dans l'onglet Pièces. Si ces enceintes SYMFONISK étaient déjà utilisées chez vous, elles reprendront leur nom précédent. Vous pouvez maintenant les déplacer dans une autre pièce et les utiliser séparément.

### Modifier les paramètres surround

Le réglage par défaut est déterminé par le processus d'étalonnage. Suivez les étapes ci-dessous si vous souhaitez y apporter une modification.

1. Dans l'onglet **Plus**, appuyez sur **Paramètres -> Paramètres de la pièce**.
2. Sélectionnez la pièce associée aux enceintes surround. Elle apparaît comme suit : Pièce (+LS+RS) dans le menu Paramètres de la pièce.
3. Sélectionnez **Audio avancé -> Paramètres de surround**.
4. Choisissez l'une des options suivantes :
  - Surround** : choisissez « Activé » ou « Désactivé » pour activer ou désactiver le son des enceintes surround.
  - Niveau TV** : faites glisser le curseur avec votre doigt pour augmenter ou réduire le volume des haut-parleurs surround lors de la diffusion du son de la télévision.
  - Niveau de la musique** : faites glisser le curseur avec votre doigt pour augmenter ou réduire le volume des haut-parleurs surround lors de la diffusion de musique.
  - Lecture de musique** : choisissez « Ambient » (réglage par défaut ; son ambient subtil) ou « Total » (active un son plus fort, sur toute la gamme). Ce paramètre s'applique uniquement à la lecture de musique et non lors de la diffusion du son de la télévision.
  - Balance des enceintes surround (iOS)** : sélectionnez « Équilibrer les enceintes surround » et suivez les instructions pour équilibrer manuellement les niveaux de vos enceintes surround.

## Lire de la musique

Faites une sélection en appuyant sur « Parcourir » sur votre appareil mobile ou en sélectionnant une source musicale dans le volet MUSIQUE sur un Mac ou un PC.

## Radio

Sonos comprend un guide radio qui fournit un accès immédiat à plus de 100 000 stations de radio, émissions et podcasts du monde entier préchargés et disponibles gratuitement en streaming.

Pour sélectionner une station de radio, sélectionnez simplement **Parcourir** -> **Radio par Tuneln** et choisissez une station.

## Services de musique

Un service de musique est un magasin de musique en ligne ou un service en ligne qui vend de l'audio par abonnement. Sonos est compatible avec plusieurs services de musique ; vous pouvez visiter notre site Web à l'adresse [www.sonos.com/music](http://www.sonos.com/music) pour consulter la liste la plus récente. (Certains services de musique peuvent ne pas être disponibles dans votre pays. Veuillez consulter le site Web du service musical concerné pour plus d'informations.)

Si vous êtes actuellement abonné à un service musical compatible avec Sonos, ajoutez simplement vos informations (nom d'utilisateur et mot de passe du service musical) dans l'appli Sonos selon vos besoins et vous aurez un accès instantané au service musical à partir de votre système Sonos.

1. Pour ajouter un service musical, appuyez sur **Plus** -> **Ajouter des services musicaux**.
2. Sélectionnez un service de musique.
3. Sélectionnez « **Ajouter à Sonos** », puis suivez les instructions. Votre identifiant et votre mot de passe seront vérifiés auprès du service de musique. Dès que vos informations d'identification auront été vérifiées, vous pourrez sélectionner le service de musique dans « Parcourir » (sur les appareils mobiles) ou dans le volet MUSIQUE (sur un Mac ou un PC).

## AirPlay 2

Vous pouvez utiliser AirPlay 2 pour diffuser de la musique, des films, des podcasts et plus encore directement depuis vos applis préférées vers vos enceintes SYMFONISK. Écoutez Apple Music sur votre enceinte SYMFONISK. Regardez une vidéo YouTube ou Netflix et profitez du son sur votre enceinte SYMFONISK.

Vous pouvez également utiliser AirPlay directement à partir de la plupart de vos applis préférées.

### Paramètres d'égalisation

L'enceinte SYMFONISK est livrée avec des paramètres d'égalisation prédéfinis pour offrir une expérience de lecture optimale. Si vous le souhaitez, vous pouvez modifier les paramètres sonores (graves, aigus, balance ou intensité) selon vos préférences personnelles.

**Remarque :** La balance n'est réglable que lorsque l'enceinte SYMFONISK est utilisée dans une paire stéréo.

1. Sur votre appareil portable, dans l'onglet **Plus**, appuyez sur **Paramètres** -> **Paramètres de la pièce**.
2. Sélectionnez une pièce.
3. Sélectionnez **EQ**, puis faites glisser votre doigt sur les curseurs pour effectuer les réglages.
4. Pour modifier le paramètre d'amplification sonore, appuyez sur « **On** » (**activé**) ou « **Off** » (**désactivé**). (Ce paramètre amplifie certaines fréquences, y compris les basses, pour améliorer le son à faible volume.)

### J'ai un nouveau routeur

Si vous achetez un nouveau routeur ou changez de FAI (fournisseur d'accès Internet), vous devrez redémarrer toutes vos enceintes Sonos après l'installation du routeur.

**Remarque :** si le technicien FAI connecte une enceinte Sonos au nouveau routeur, il vous suffit de redémarrer vos enceintes Sonos sans fil.

1. Débranchez le câble d'alimentation de toutes vos enceintes Sonos pendant au moins 5 secondes.
2. Reconnectez-les une à la fois, en commençant par l'enceinte Sonos qui est connectée à votre routeur (le cas échéant). Attendez que vos enceintes Sonos redémarrent. Le voyant d'état passe au blanc fixe sur chaque produit une fois le redémarrage effectué.

Si votre configuration Sonos est entièrement sans fil (vous n'avez pas de produit Sonos connecté à votre routeur), vous devrez également modifier le mot de passe de votre réseau sans fil dans l'appli Sonos. Suivez les étapes ci-dessous :

1. Connectez temporairement l'une de vos enceintes Sonos au nouveau routeur avec un câble Ethernet.
2. Dans l'onglet **Plus**, appuyez sur **Paramètres** -> **Paramètres avancés** -> **Configuration sans fil**. Sonos détectera votre réseau.
3. Saisissez le mot de passe de votre réseau sans fil.
4. Une fois le mot de passe accepté, débranchez l'enceinte de votre routeur et remettez-la à son emplacement d'origine.



### **Je souhaite modifier le mot de passe de mon réseau sans fil**

Si votre système Sonos est configuré sans fil et que vous modifiez le mot de passe de votre réseau sans fil, vous devrez également le modifier sur votre système Sonos.

1. Connectez temporairement l'une de vos enceintes SYMFONISK à votre routeur avec un câble Ethernet.
2. Choisissez l'une des options suivantes :  
**À partir de l'appli Sonos sur un appareil mobile**, dans l'onglet Plus, appuyez sur Paramètres -> Paramètres avancés -> Configuration sans fil.  
**À partir de l'appli Sonos sur un PC**, accédez à Paramètres -> Avancé dans le menu Gérer. Dans l'onglet Général, sélectionnez « Configuration sans fil ».  
**À partir de l'appli Sonos sur un Mac**, accédez à Préférences -> Avancé dans le menu Sonos. Dans l'onglet Général, sélectionnez « Configuration sans fil ».
3. Entrez le nouveau mot de passe du réseau sans fil lorsque cela vous est demandé.
4. Une fois le mot de passe accepté, vous pouvez débrancher l'enceinte de votre routeur et la remettre à son emplacement d'origine.

### **Réinitialiser votre enceinte SYMFONISK**

Ce processus supprimera les informations d'enregistrement, le contenu enregistré dans My Sonos et les services de musique de votre enceinte SYMFONISK. Il est généralement utilisé avant que l'enceinte ne change de propriétaire.

Votre appli Sonos peut également vous recommander de suivre ce processus si elle ne trouve pas votre enceinte pendant la configuration. Si vous souhaitez effacer les données de plusieurs enceintes SYMFONISK, vous devrez effectuer les étapes ci-dessous sur chacune d'elles.

La réinitialisation de toutes les enceintes de votre système supprimera définitivement les données de votre système. Celles-ci ne pourront pas être restaurées.

1. Débranchez le câble d'alimentation.
2. Appuyez sur le bouton Lecture/Pause ►|| et maintenez-le enfoncé pendant que vous rebranchez le câble d'alimentation.
3. Continuez à maintenir le bouton enfoncé jusqu'à ce que le voyant clignote en orange et blanc.
4. Le voyant clignote en vert lorsque le processus est terminé et que l'enceinte est prête à être configurée.

## Couleur du voyant d'état : informations supplémentaires

Blanc clignotant	Mise en marche.	
Blanc fixe (lumière faible)	Alimentée et associée à un système Sonos (fonctionnement normal).	Vous pouvez allumer ou éteindre le voyant d'état blanc dans Plus -> Paramètres -> Réglages de la pièce. (Les enceintes Sonos appariées ont le même réglage.)
Vert clignotant	Mise en marche, l'enceinte n'est pas encore associée à un système Sonos. Connexion WAC (configuration d'accès sans fil) prête.	Pour un SUB, cela peut indiquer que le SUB n'est pas encore apparié à une enceinte.
Vert clignotant lentement	Le son surround est désactivé ou le son SUB est désactivé.	S'applique aux enceintes configurées comme enceintes surround ou à un SUB apparié à une PLAYBAR.
Vert fixe	Le son est réglé sur zéro ou coupé.	
Orange clignotant	Au cours de la configuration de SonosNet, cela survient lorsque vous appuyez sur un bouton pendant que le produit recherche un réseau domestique à joindre.	
Orange clignotant rapidement	Échec de la lecture/du passage à la piste suivante	Indique que la lecture n'a pas pu être lancée ou que la piste suivante n'a pas pu être lue.
Orange fixe	Au cours de la configuration sans fil, cela se produit lorsque le point d'accès ouvert est temporairement actif. Si vous n'êtes pas en train de configurer Sonos, cela peut indiquer le mode avertissement.	Quand le voyant orange est allumé ET que le volume du lecteur baisse automatiquement, cela indique que le lecteur est en mode avertissement. Appuyez sur le bouton Pause pour interrompre la lecture.
Vert et blanc clignotant	Des enceintes sont en train d'être reliées à votre compte Sonos.	Reliez l'enceinte ou les enceintes concernée(s) à votre compte. Pour plus d'informations, consultez la page <a href="http://faq.sonos.com/accountlink">http://faq.sonos.com/accountlink</a> .

Rouge et blanc clignotant	La répartition des enceintes a échoué.	Veuillez contacter le service client.
Rouge clignotant	Le délai de configuration des enceintes a expiré. Cela se produit si une enceinte est branchée pendant 30 minutes sans être configurée.	Débranchez l'enceinte, attendez 10 secondes, rebranchez-la et configurez-la.

## Consignes De Sécurité Importantes

### INSTRUCTIONS D'ENTRETIEN

Pour nettoyer l'enceinte, utilisez un chiffon doux humide. Essuyez à l'aide d'un autre chiffon sec.

### INFORMATION SUR L'EXPOSITION AUX RADIOFRÉQUENCES

Selon la réglementation sur l'exposition aux radiofréquences, dans des conditions normales d'utilisation l'utilisateur final ne doit pas se tenir à moins de 20 cm de l'appareil.



Le pictogramme de la poubelle barrée indique que le produit doit faire l'objet d'un tri. Il doit être recyclé conformément à la réglementation environnementale locale en matière de déchets. En triant les produits portant ce pictogramme, vous contribuez à réduire le volume des déchets incinérés ou enfouis, et à diminuer tout impact négatif sur la santé humaine et l'environnement. Pour plus d'information, merci de contacter votre magasin IKEA.

## Caractéristiques

Fonction	Description
<b>Amplificateur</b>	Deux amplificateurs numériques de classe D
<b>Tweeter</b>	Un tweeter crée une réponse haute fréquence nette et précise
<b>Mid-Woofer</b>	Un mid-woofer est là pour assurer la reproduction fidèle des moyennes fréquences, essentielles à une lecture précise des voix et des instruments, tout en délivrant des graves riches et profonds
<b>Réglage de la paire stéréo</b>	Permet de répartir le signal audio de deux SYMFONISK entre un canal gauche et un canal droit
<b>5.1 Home cinéma</b>	Ajoutez deux enceintes SYMFONISK à un home cinéma Sonos

## Musique

<b>Formats audio pris en charge</b>	<p>Prise en charge des fichiers MP3 compressés, AAC (sans DRM), WMA sans DRM (y compris les téléchargements Windows Media achetés), AAC (MPEG4), AAC+, Ogg Vorbis, Apple Lossless, Flac (lossless), ainsi que des fichiers WAV et AIFF non compressés. Prise en charge native des fréquences d'échantillonnage de 44,1 kHz. Prise en charge supplémentaire pour les fréquences d'échantillonnage de 48 kHz, 32 kHz, 24 kHz, 22 kHz, 16 kHz, 11 kHz et 8 kHz. Le format MP3 prend en charge toutes les fréquences sauf 11 kHz et 8 kHz.</p> <p><b>Remarque :</b> Les formats « FairPlay » d'Apple, les WMA DRM et les WMA Lossless ne sont actuellement pas pris en charge. Les chansons protégées par le DRM « FairPlay » d'Apple que vous avez achetées peuvent être converties.</p>
-------------------------------------	---

<b>Services de musique pris en charge</b>	Sonos fonctionne parfaitement avec la plupart des services musicaux, y compris Apple Music™, Deezer, Google Play Music, Pandora, Spotify et TuneIn, ainsi qu'avec les produits disponibles en téléchargement depuis tous les services offrant des pistes sans DRM. La disponibilité des services varie selon la région. Pour obtenir une liste complète des services disponibles, veuillez consulter la page <a href="http://www.sonos.com/music">http://www.sonos.com/music</a> .
<b>Webradios prises en charge</b>	Streaming MP3, HLS/AAC, WMA
<b>Albums photo pris en charge</b>	JPEG, PNG, BMP, GIF
<b>Playlists prises en charge</b>	Rhapsody, iTunes, WinAmp et Windows Media Player (m3u, .pls, .wpl)

#### Mise en réseau\*

<b>Connectivité sans fil</b>	Se connecte à votre réseau Wi-Fi domestique avec n'importe quel routeur 802.11 b/g/n. Les configurations réseau fonctionnant uniquement en 802.11n ne sont pas prises en charge : vous pouvez soit modifier les paramètres du routeur en 802.11 b/g/n, soit connecter un produit Sonos à votre routeur.
<b>SonosNet™ Extender</b>	Fonctionnalités permettant d'étendre et d'améliorer la puissance de SonosNet, un réseau maillé sans fil « peer-to-peer » avec chiffrement AES dédié exclusivement à Sonos pour réduire les interférences Wi-Fi.
<b>Port Ethernet</b>	Un port Ethernet 10/100 Mbps permet de connecter votre produit à votre réseau filaire ou à d'autres enceintes Sonos.

#### Généralités

<b>Alimentation</b>	100 à 240 V CA, 50/60 Hz, commutable automatiquement
<b>Boutons</b>	Volume et Lecture/Pause. Appuyez une fois sur le bouton Lecture/Pause pour démarrer ou arrêter la musique, deux fois pour passer à la piste suivante

<b>LED</b>	Indique le statut de l'enceinte SYMFONISK
<b>Dimensions (HxLxP)</b>	401x216x216 (mm)
<b>Poids</b>	2 900 g
<b>Température de fonctionnement</b>	0 à 40 °C (32° à 104° F)
<b>Température de stockage</b>	-20 à 70 °C (4° à 158° F)

\*Les spécifications peuvent changer sans préavis.

SYMFONISK is een draadloze speaker die werkt met het Sonos systeem en waarmee je overal in huis van je muziek kan genieten.

Twee drivers, een midwoofer van 8 cm en een tweeter, elk met een speciale versterker.

De functie Afspelen/Pauzeren onthoudt het laatste nummer waar je naar geluisterd hebt. Je kan naar het volgende nummer gaan door twee keer op de knop te drukken. Koppel twee SYMFONISK speakers voor het ultieme stereogeluid of gebruik twee SYMFONISK achterspeakers voor je Sonos home cinema-systeem. Werkt naadloos samen met het complete assortiment Sonos producten.

## Aan de slag

### Dit heb je nodig:

- Wifi: houd je netwerknnaam en wachtwoord bij de hand. Zie de vereisten voor Sonos.
- Mobiel apparaat: verbonden met hetzelfde wifinetwerk. Dit heb je nodig voor de installatie.
- De Sonos app: je gebruikt deze om je Sonos systeem in te stellen en te bedienen (installeer het op het mobiele apparaat dat je gebruikt voor de installatie).
- Een Sonos account: als je geen account hebt, maak je er tijdens de installatie een aan. Zie Sonos accounts voor meer informatie.

### Nieuw bij Sonos?

Download de app uit de App Store op je mobiele apparaat. Open de app en we begeleiden je bij de installatie. Zodra je Sonos systeem is ingesteld, kan je de muziek ook met je computer bedienen. Download de app via [www.sonos.com/support/downloads](http://www.sonos.com/support/downloads).

Ga naar <https://faq.sonos.com/specs> voor de nieuwste systeemvereisten en compatibele audio-indelingen.

### Heb je al een Sonos?

Je kan op elk moment nieuwe speakers toevoegen (maximaal 32). Sluit de speaker aan en tik op 'Speakers toevoegen'. Als je een Boost toevoegt, sluit je deze aan en tik je op Instellingen > Boost of Bridge toevoegen.

### Vereisten voor Sonos

Je Sonos speakers en het mobiele apparaat met de Sonos app moeten zich in hetzelfde wifinetwerk bevinden.

### **Draadloze installatie**

Het instellen van Sonos in je wifithuisnetwerk is de oplossing voor de meeste thuisgebruikers. Hiervoor heb je alleen het volgende nodig:

- Snel DSL-/kabelmodem (of een glasvezelverbinding naar je breedbandverbinding thuis)
- 2,4 GHz 802.11b/g/n draadloos thuisnetwerk

**Opmerking:** Internettoegang via satelliet kan leiden tot problemen met afspelen. Als je problemen ondervindt met de wifiverbinding, kan je makkelijk overschakelen op de vaste verbinding.

### **Bekabelde installatie**

Sluit een Sonos Boost of speaker met een Ethernet-kabel aan op je router als:

- Je wifi traag of onstabiel is of niet alle kamers bereikt waar je je Sonos wilt gebruiken.
- Je netwerk al intensief wordt gebruikt voor het streamen van video en het gebruik van internet en je een afzonderlijk draadloos netwerk wilt hebben voor je Sonos systeem.
- Je netwerk alleen 5 GHz is (en niet kan worden ingesteld op 2,4 GHz).
- Je router alleen 802.11n ondersteunt (je kan de instellingen niet wijzigen om 802.11b/g/n te ondersteunen).

**Opmerking:** Gebruik voor ononderbroken luisterplezier een Ethernet-kabel om verbinding te maken met de computer of het NAS-station waarop de bestanden van je muziekbibliotheek op je router staan.

Zie Overschakelen naar draadloze configuratie voor meer informatie als je later wilt overschakelen naar een draadloze configuratie.

### **Sonos app**

De Sonos app is beschikbaar voor de volgende apparaten:

- iOS-apparaten met iOS 11 en hoger
- Android 7 en hoger
- macOS 10.11 en hoger
- Windows 7 en hoger

**Opmerking:** De Sonos app op iOS 10, Android 5 en 6 en Fire OS 5 ontvangt geen software-updates meer, maar kan nog wel worden gebruikt voor de veelgebruikte functies.

**Opmerking:** Je stelt Sonos in met een mobiel apparaat, maar vervolgens kan je elk apparaat gebruiken om de muziek te bedienen.



**AirPlay 2**

Als je AirPlay met SYMFONISK wilt gebruiken, heb je een apparaat met iOS 11.4 of hoger nodig.

**Ondersteunde indelingen***Audio-indelingen*

Ondersteuning voor gecomprimeerde MP3-, AAC- (zonder DRM), WMA-bestanden zonder DRM (inclusief aangeschafte Windows Media-downloads), AAC- (MPEG4), AAC+-, Ogg Vorbis-, Apple Lossless-, Flac- (lossless) muziekbestanden en ongecomprimeerde WAV- en AIFF-bestanden.

Native ondersteuning voor samplefrequenties van 44,1 kHz. Extra ondersteuning voor 48 kHz, 32 kHz, 24 kHz, 22 kHz, 16 kHz, 11 kHz en 8 kHz samplefrequenties. MP3 ondersteunt alle snelheden, behalve 11 kHz en 8 kHz.

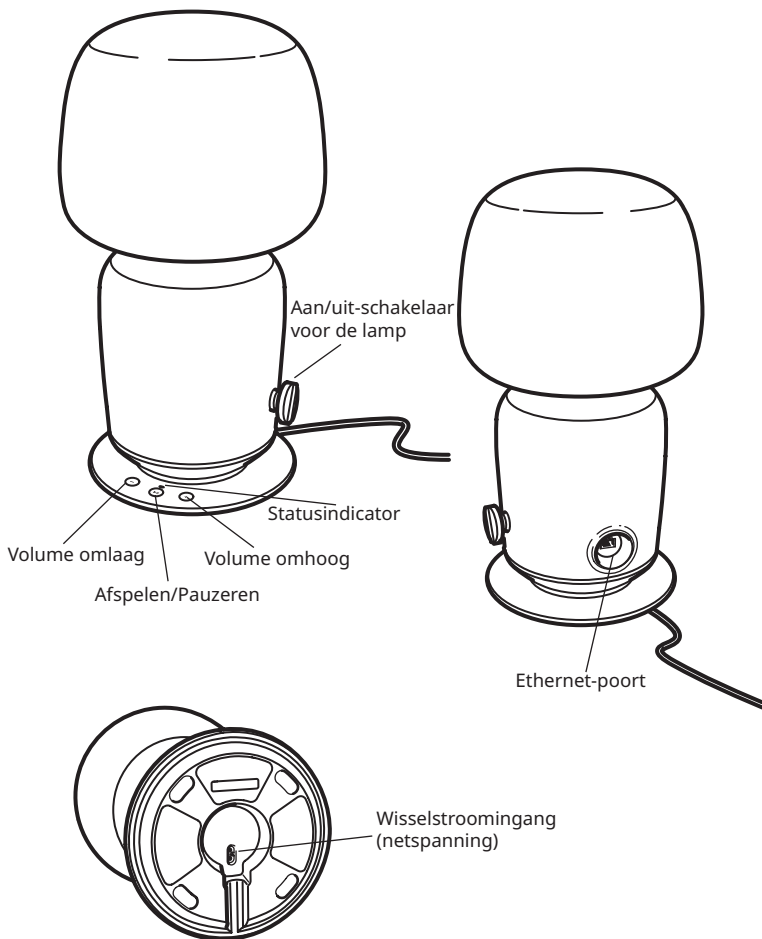
**Opmerking:** Apple FairPlay-, WMA DRM- en WMA Lossless-indelingen worden momenteel niet ondersteund. Eerder gekochte DRM-beveiligde nummers van Apple FairPlay kunnen worden bijgewerkt.

**Streamingservices**

SYMFONISK werkt samen met de meeste muziek- en contentservices en downloads van elke service met DRM-vrije nummers. De beschikbaarheid van services verschilt per regio.

Zie <https://www.sonos.com/music> voor een volledige lijst.

## SYMFONISK front/back



<b>Aan/Uit</b>	<p>Sonos is ontworpen om altijd ingeschakeld te zijn; het systeem verbruikt minimale elektriciteit wanneer er geen muziek wordt afgespeeld. Als je het streamen van audio in één kamer wilt stoppen, druk je op de knop Afspelen/Pauzeren op de speaker. Aan/uit-schakelaar voor verlichting. Als je het licht uitschakelt, worden de speaker en het geluid niet uitgeschakeld.</p>
<b>Afspelen/Pauzeren</b>	<p>Hiermee schakel je tussen het afspelen en pauzeren van audio (en start je dezelfde muziekbron opnieuw tenzij er een andere bron is geselecteerd).</p> <p>Druk eenmaal op deze knop om het streamen van audio te starten of te stoppen</p> <p>Druk twee keer om naar het volgende nummer te gaan (indien van toepassing op de geselecteerde muziekbron)</p> <p>Druk drie keer op deze knop om naar het vorige nummer te gaan (indien van toepassing op de geselecteerde muziekbron)</p> <p>Houd deze knop ingedrukt om de muziek in een andere kamer af te laten spelen.</p>
<b>Statusindicator</b>	<p>Geeft de huidige status aan. Tijdens normaal gebruik brandt het witte lampje zwak. Je kan het witte licht uitschakelen via Meer -&gt; Instellingen -&gt; Kamerinstellingen.</p> <p>Zie Statusindicators voor een volledige lijst.</p>
<b>Volume omhoog (+) Volume omlaag (-)</b>	<p>Druk hierop om het volume hoger of lager te zetten.</p>
<b>Ethernet-poort</b>	<p>Je kan een Ethernet-kabel (meegeleverd) gebruiken om de SYMFONISK aan te sluiten op een router, computer of extra netwerkapparaat, zoals een NAS-apparaat (Network Attached Storage).</p>
<b>Wisselstroomingang (netspanning) (100 - 240 VAC, 50/60 Hz)</b>	<p>Gebruik alleen het meegeleverde netsnoer om het apparaat op een stopcontact aan te sluiten (als je een netsnoer van een ander merk gebruikt, vervalt de garantie).</p> <p>Sluit het netsnoer stevig aan op de SYMFONISK tot het op één lijn ligt met de onderkant van het apparaat.</p>

### Een locatie selecteren

Plaats SYMFONISK op een stevig, stabiel oppervlak. Voor maximaal plezier hebben we een aantal richtlijnen:

De SYMFONISK is ontworpen om goed te werken, zelfs als hij naast een muur of ander oppervlak wordt geplaatst.

Wees voorzichtig als je de SYMFONISK dicht bij een oudere CRT-tv (cathode ray tube) plaatst. Als je verkleuring of vervorming van de beeldkwaliteit ziet, plaats je de SYMFONISK verder weg van de tv.

### Toevoegen aan een bestaand Sonos systeem

Zodra je je Sonos muzieksysteem hebt ingesteld, kan je op elk moment meer Sonos producten toevoegen (maximaal 32).

1. Selecteer een locatie voor je SYMFONISK (zie 'Een locatie selecteren' hierboven voor de optimale plaatsingsrichtlijnen).
2. Sluit het netsnoer aan op de SYMFONISK en schakel de stroom in. Sluit het netsnoer stevig aan op de onderkant van de SYMFONISK tot het op één lijn ligt met de onderkant van het apparaat.

**Opmerking:** Als je een bekabelde verbinding wilt maken, sluit je een standaard Ethernet-kabel van je router (of een muurplaat voor een actief netwerk als je over ingebouwde bedrading beschikt) aan op de Ethernet-poort aan de achterkant van een Sonos product.

3. Kies de volgende opties:

Ga op een mobiel apparaat naar **Meer -> Instellingen -> Een speler of SUB toevoegen** en volg de aanwijzingen.

Dikke muren, draadloze 2,4-GHZ telefoons of de aanwezigheid van andere draadloze apparaten kunnen de draadloze netwerksignalen van Sonos verstoren of blokkeren. Als je problemen ondervindt nadat je een Sonos product hebt geplaatst, probeer je een of meer van de volgende oplossingen: verplaats het Sonos product, wijzig het draadloze kanaal waarop je muzieksysteem werkt; sluit een Sonos product aan op je router als je installatie momenteel draadloos is.

**Stem je kamer af op Trueplay™ \***

Elke kamer is anders. Met Trueplay-afstemming kan je je Sonos speakers overal neerzetten. Trueplay analyseert de grootte, de indeling, het interieur, de plaatsing van de speakers en andere akoestische factoren die van invloed kunnen zijn op de geluidskwaliteit. Vervolgens wordt ingesteld hoe elke woofer en tweeter geluid produceert in die ruimte (werkt op mobiele apparaten met iOS 11 of hoger).

*\*iPhone, iPad of iPod touch is vereist voor het instellen van Trueplay*

Ga naar **Meer** -> **Instellingen** -> **Kamerinstellingen**. Kies een kamer en tik op Trueplay-afstemming om te beginnen.

**Opmerking:** Trueplay-afstemming is niet beschikbaar als VoiceOver is ingeschakeld op je iOS-apparaat. Als je je speakers wilt afstemmen, schakel je eerst VoiceOver uit in de instellingen van je apparaat.

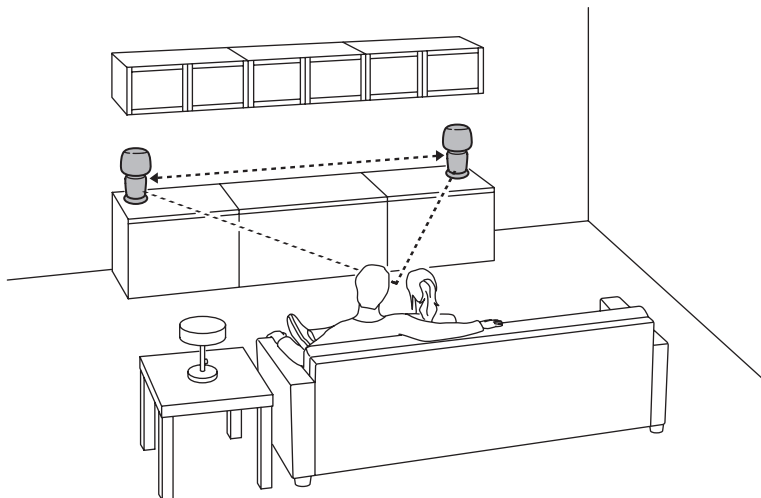
**Een stereopaar vormen**

Je kan twee dezelfde SYMFONISK speakers in dezelfde ruimte groeperen voor een bredere stereo-ervaring. In deze configuratie werkt de ene speaker als het linkerkanaal, de andere als het rechterkanaal.

**Opmerking:** De SYMFONISK speakers in het stereopaar moeten van hetzelfde model zijn.

### Informatie over de optimale plaatsing

Bij het maken van een stereopaar kan je de twee Sonos producten het beste op een afstand van 2,5 tot 3 m van elkaar plaatsen. Je favoriete luisterpositie moet 2,5 tot 3,5 m van de gekoppelde Sonos producten zijn. Minder afstand verhoogt de bas, meer afstand verbetert de stereoweergave.



### De Sonos app gebruiken op een mobiel apparaat

1. Ga naar **Meer** -> **Instellingen** -> **Kamerinstellingen**.
2. Selecteer een SYMFONISK om te koppelen.
3. Selecteer **Stereopaar maken** en volg de aanwijzingen om het stereopaar in te stellen.

### Een stereopaar scheiden:

1. Ga naar **Meer** -> **Instellingen** -> **Kamerinstellingen**.
2. Selecteer het stereopaar dat je wilt scheiden (het stereopaar wordt weergegeven met L + R in de naam van de kamer.)
3. Selecteer **Afzonderlijk stereopaar**.

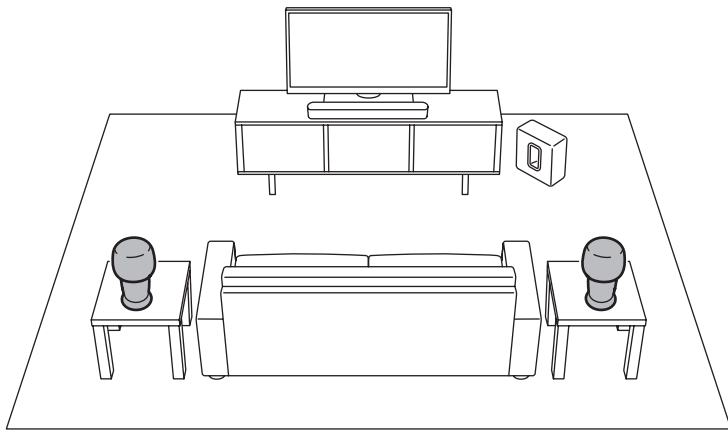
## Surroundspeakers

### Surroundspeakers toevoegen

Je kan eenvoudig twee speakers, zoals twee PLAY:5s, koppelen met een Sonos home cinema-systeem om te functioneren als linker- en rechtersurroundkanalen in je Sonos Surround Sound ervaring. Je kan surroundspeakers configureren tijdens het installatieproces of de onderstaande stappen volgen om deze toe te voegen.

Zorg dat de Sonos producten hetzelfde zijn. Je kan niet een SYMFONISK boekenplankspeaker en een SYMFONISK tafellamp met speaker combineren om samen als surroundspeakers te functioneren.

Volg deze instructies om je surroundspeakers in te stellen. Maak geen kamergroep of stereokoppeling aangezien hierdoor de functionaliteit van het linker- en rechtersurroundkanaal niet haalbaar is



### De Sonos app gebruiken op een mobiel apparaat

1. Ga naar **Meer** -> **Instellingen** -> **Kamerinstellingen**.
2. Selecteer de ruimte waarin het Sonos home cinema-product zich bevindt.
3. Selecteer **Surrounds toevoegen**.
4. Volg de aanwijzingen om eerst een linker- en vervolgens een rechtersurroundspeaker toe te voegen.

### Surroundspeakers verwijderen

1. Ga naar **Meer -> Instellingen -> Kamerinstellingen**.
2. Selecteer de ruimte waarin de surroundspeakers zich bevinden. De naam van de ruimte wordt weergegeven als Kamer (+LS+RS) in Kamerinstellingen.
3. Selecteer **Surrounds verwijderen**.
4. Selecteer Volgende om de surroundspeakers uit je surroundsysteem te verwijderen. Als dit nieuwe SYMFONISK speakers zijn, worden ze als Ongebruikt weergegeven op het tabblad Ruimtes. Als deze SYMFONISK speakers eerder in je huishouden bestonden, keren ze terug naar hun vorige staat.  
Je kan ze nu naar een andere ruimte verplaatsen voor individueel gebruik.

### De surroundinstellingen wijzigen

De standaardinstelling wordt bepaald door het kalibratieproces. Als je een wijziging wilt aanbrengen, volg je de onderstaande stappen.

1. Ga naar **Meer -> Instellingen -> Kamerinstellingen**.
2. Selecteer de ruimte waarin de surroundspeakers zich bevinden. Deze wordt weergegeven als Room (+LS+RS) in Kamerinstellingen.
3. Selecteer **Geavanceerde audio -> Surroundinstellingen**.
4. Kies een van de volgende opties:
  - Surround:** Kies Aan of Uit om het geluid van de surroundspeakers in en uit te schakelen.
  - Tv-niveau:** Sleep je vinger over de schuifregelaar om het volume van de surroundspeakers voor het afspelen van het geluid van de tv te verhogen of te verlagen.
  - Muziekniveau:** Sleep je vinger over de schuifregelaar om het volume van de surroundspeakers voor het afspelen van muziek te verhogen of te verlagen.
  - Muziek afspelen:** Kies Ambient (standaard; subtiel, omgevingsgeluid) of Full (voor meer geluid met volledig bereik). Deze instelling is alleen van toepassing op het afspelen van muziek, niet op de audio van de tv.
  - Balance Surroundspeakers (iOS):** Selecteer Balance Surroundspeakers en volg de aanwijzingen om het niveau van je surroundspeakers handmatig af te stemmen.



### Muziek afspelen

Maak een selectie door op Bladeren op je mobiele apparaat te tikken of door een muziekbron te selecteren in het deelvenster MUZIEK op een Mac of pc.

### Radio

Sonos bevat een radiogids die direct toegang biedt tot meer dan 100.000 gratis vooraf geladen lokale en internationale radiostations, shows en podcasts die vanaf elk continent worden gestreamd.

Als je een radiozender wilt selecteren, selecteer je Bladeren -> Radio via Tuneln en kies je een radiostation.

### Muziekservices

Een muziekservice is een onlinemuziekwinkel of onlineservice die audio verkoopt op abonnementsbasis. Sonos is compatibel met diverse muziekservices. Ga naar onze website op [www.sonos.com/music](http://www.sonos.com/music) voor de nieuwste lijst. (Sommige muziekservices zijn mogelijk niet beschikbaar in je land. Raadpleeg de website van de muziekservice voor meer informatie.)

Als je momenteel bent geabonneerd op een muziekservice die compatibel is met Sonos, voeg je de gebruikersnaam en het wachtwoord van je muziekservice toe aan Sonos. Dan heb je direct toegang tot de muziekservice van je Sonos systeem.

1. Als je een muziekservice wilt toevoegen, tik je op **Meer -> Muziekservices toevoegen**.
2. Selecteer een muziekservice.
3. Selecteer **Toevoegen aan Sonos** en volg de aanwijzingen. Je gebruikersnaam en wachtwoord worden gecontroleerd bij de muziekservice. Zodra je referenties zijn geverifieerd, kan je de muziekservice selecteren in Bladeren (op mobiele apparaten) of in het deelvenster MUZIEK (op een Mac of pc).

### AirPlay 2

Je kan AirPlay 2 gebruiken om muziek, films, podcasts en meer rechtstreeks vanuit je favoriete apps naar je SYMFONISK speakers te streamen. Luister naar Apple Music op je SYMFONISK. Bekijk een YouTube- of Netflix-video en speel het geluid af op je SYMFONISK.

Je kan AirPlay ook rechtstreeks vanuit veel van je favoriete apps gebruiken.

### Equalizerinstellingen

De SYMFONISK wordt geleverd met de vooraf ingestelde equalizerinstellingen voor een optimale afspeelervaring. Je kan de geluidsinstellingen (bas, hoge tonen, balans of geluidsterkte) aanpassen aan je persoonlijke voorkeuren.

**Opmerking:** De balans kan alleen worden aangepast als de SYMFONISK in een stereopaar wordt gebruikt.

1. Ga op een mobiel apparaat naar **Meer -> Instellingen -> Kamerinstellingen**.
2. Selecteer een kamer.
3. Selecteer **EQ** en sleep je vinger over de schuifregelaars om te wijzigen.
4. Als je de instelling Geluidsterkte wilt wijzigen, tik je op **Aan of Uit**. (Met de instelling Geluidsterkte worden bepaalde frequenties, inclusief de bas, versterkt om het geluid bij een laag volume te verbeteren.)

### Ik heb een nieuwe router

Als je een nieuwe router hebt aangeschaft of een andere internetprovider hebt, moet je alle Sonos producten opnieuw opstarten nadat de router is geïnstalleerd.

**Opmerking:** Als de servicemonteur van je internetprovider een Sonos product op de nieuwe router aansluit, hoef je alleen nog maar je draadloze Sonos producten opnieuw op te starten.

1. Koppel het netsnoer van al je Sonos producten gedurende ten minste vijf seconden los.
2. Sluit ze een voor een opnieuw aan, te beginnen met het Sonos product dat is aangesloten op je router (als er meestal een is aangesloten). Wacht tot je Sonos producten opnieuw zijn opgestart. Het statuslampje brandt wit op elk product wanneer het opnieuw opstarten is voltooid.

Als je Sonos installatie volledig draadloos is (je hebt geen Sonos product aangesloten op je router), moet je ook het wachtwoord voor je draadloze netwerk wijzigen. Volg de onderstaande stappen:

1. Sluit een van je Sonos speakers tijdelijk aan op de nieuwe router met een Ethernet-kabel.
2. Ga naar **Meer -> Instellingen -> Geavanceerde instellingen -> Draadloze installatie**. Sonos detecteert je netwerk.
3. Voer het wachtwoord voor je draadloze netwerk in.
4. Zodra het wachtwoord is geaccepteerd, koppel je de speaker los van je router en zet je deze terug op de oorspronkelijke locatie.

## Ik wil het wachtwoord voor mijn draadloze netwerk wijzigen

Als je Sonos systeem draadloos is ingesteld en je je wachtwoord voor het draadloze netwerk wijzigt, moet je dit ook wijzigen op je Sonos systeem.

1. Sluit tijdelijk een van je SYMFONISK speakers aan op je router met een Ethernet-kabel.
2. Kies een van de volgende opties:  
**Ga met de Sonos app op een mobiel apparaat** naar Meer -> Instellingen -> Geavanceerde instellingen -> Draadloze installatie.  
**Ga met de Sonos app op een pc** naar Instellingen -> Geavanceerd in het menu Beheren. Selecteer op het tabblad Algemeen de optie Draadloze installatie.  
**Ga met de Sonos app op een Mac** naar Voorkeuren -> Geavanceerd in het menu Sonos. Selecteer op het tabblad Algemeen de optie Draadloze installatie.
3. Voer het nieuwe wachtwoord voor het draadloze netwerk in wanneer daarom wordt gevraagd.
4. Zodra het wachtwoord is geaccepteerd, kan je de speaker loskoppelen van je router en deze terugzetten op de oorspronkelijke locatie.

## Je SYMFONISK speaker opnieuw instellen

Met dit proces worden registratiegegevens, inhoud die is opgeslagen in Mijn Sonos en muziekservices van je SYMFONISK speaker verwijderd. Dit is een gebruikelijke procedure voordat het eigendom wordt overgedragen aan een andere persoon. Je Sonos app raadt je mogelijk ook aan dit proces te doorlopen als je product niet kan worden gevonden tijdens de installatie. Als je gegevens van meerdere SYMFONISK speakers wilt wissen, moet je deze stappen op elk van deze speakers uitvoeren.

Als je alle producten binnen je systeem opnieuw instelt, worden de gegevens van je systeem permanent verwijderd. Dit kan niet worden hersteld.

1. Koppel het netsnoer los.
2. Houd de ►|| knop Afspelen/Pauzeren ingedrukt terwijl je het netsnoer opnieuw aansluit.
3. Houd de knop ingedrukt totdat het lampje oranje en wit knippert.
4. Het lampje knippert groen wanneer het proces is voltooid en het product klaar is om te worden ingesteld.

## Meer informatie over de status van de indicatielampjes

Knippert wit	Bezig met inschakelen.	
Brandt constant wit (zwak verlicht)	Ingeschakeld en gekoppeld aan een Sonos systeem (normale werking).	Je kan het witte statuslampje in- of uitschakelen via Meer -> Instellingen -> Kamerinstellingen. (Sonos producten die aan elkaar zijn gekoppeld, hebben dezelfde instelling.)
Knippert groen	Ingeschakeld, maar nog niet gekoppeld aan een Sonos systeem. Of WAC (draadloze toegangsconfiguratie) gezamenlijk gelezen.	Bij een SUB kan dit aangeven dat de SUB nog niet is gekoppeld aan een speaker.
Knippert langzaam groen	Surroundaudio is uitgeschakeld of SUB-audio is uitgeschakeld.	Van toepassing op een speaker die is geconfigureerd als surroundspeaker of voor een SUB die is gekoppeld met een PLAYBAR.
Brandt groen	Volume ingesteld op nul of gedempt.	
Knippert oranje	Tijdens de installatie van SonosNet gebeurt dit nadat je op de knop drukt terwijl het product naar een huishouden zoekt om verbinding mee te maken.	
Knippert snel oranje	Afspelen/Volgend nummer mislukt.	Geeft aan dat het afspelen of naar het volgende nummer gaan niet mogelijk is.
Brandt oranje	Tijdens de draadloze installatie treedt dit op terwijl het Sonos toegangspunt tijdelijk actief is. Als je Sonos niet instelt, kan dit een waarschuwingsmodus aangeven.	Als het oranje lampje brandt EN het volumeniveau van de speaker automatisch lager wordt, betekent dit dat de speaker zich in de waarschuwingsmodus bevindt. Druk op de knop Pauzeren om het geluid te stoppen.

Knippert groen en wit	Speakers worden gekoppeld aan je Sonos account.	Koppel de speaker(s) aan je account. Zie <a href="http://faq.sonos.com/accountlink">http://faq.sonos.com/accountlink</a> voor meer informatie.
Knippert rood en wit	Herpartitionering van de speaker is mislukt.	Neem contact op met de klantenservice.
Knippert rood	Time-out bij speakerinstelling. Dit gebeurt als een speaker gedurende 30 minuten is aangesloten zonder dat deze is ingesteld.	Koppel de speaker los, wacht tien seconden, steek de stekker weer in het stopcontact en stel de speaker in.

## Belangrijke veiligheidsinformatie

### Onderhoudsinstructies

Maak de speaker schoon met een zachte, vochtige doek. Maak de speaker droog met een andere zachte, droge doek.

### INFORMATIE OVER BLOOTSTELLING AAN RADIOFREQUENTE STRALING (RF)

In overeenstemming met de richtlijnen voor blootstelling aan RF mag de eindgebruiker bij normaal gebruik niet dichterbij dan 20 cm van het apparaat zijn.



Het symbool met de doorgekruiste verrijdbare afvalbak geeft aan dat het product apart van het huishoudelijk afval moet worden weggegooid. Het product moet worden ingeleverd voor recycling in overeenstemming met de plaatselijke milieuvorschriften voor afvalverwerking. Door een dergelijk product te scheiden van het huishoudelijk afval, kan je de hoeveelheid afval verminderen die naar verbrandingsinstallaties of vuilstortplaatsen worden gebracht.

Zo minimaliseer je mogelijke negatieve gevolgen voor de volksgezondheid en het milieu. Neem voor meer informatie contact op met je IKEA winkel.

## Kenmerken

Kenmerk	Beschrijving
Versterker	Twee digitale versterkers van klasse D
Tweeter	Een tweeter zorgt voor een heldere en nauwkeurige hoge frequentierespons
Midwoofer	Eén midwoofer zorgt voor een natuurgetrouwe weergave van middenbereikfrequenties die cruciaal zijn voor een nauwkeurige weergave van stemmen en instrumenten, en voor een diepe en rijke bas
Instelling voor stereopaar	Hiermee maak je van twee SYMFONISK speakers afzonderlijke linker- en rechterkanaalspeakers
5.1 home cinema	Voeg twee SYMFONISK speakers toe aan een Sonos home cinema-systeem

## Muziek

Ondersteunde audio-indelingen	Ondersteuning voor gecomprimeerde MP3-, AAC- (zonder DRM), WMA-bestanden zonder DRM (inclusief aangeschafte Windows Media-downloads), AAC- (MPEG4), AAC+-, Ogg Vorbis-, Apple Lossless-, Flac- (lossless) muziekbestanden en ongecomprimeerde WAV- en AIFF-bestanden. Native ondersteuning voor samplefrequenties van 44,1 kHz. Extra ondersteuning voor 48 kHz, 32 kHz, 24 kHz, 22 kHz, 16 kHz, 11 kHz en 8 kHz samplefrequenties. MP3 ondersteunt alle snelheden, behalve 11 kHz en 8 kHz. <b>Opmerking:</b> Apple 'FairPlay', WMA DRM en WMA Lossless-indelingen worden momenteel niet ondersteund. Eerder gekochte DRM-beveiligde nummers van Apple FairPlay kunnen worden bijgewerkt.
Ondersteunde muziekservices	Sonos werkt naadloos samen met de meeste muziekservices, zoals Apple Music™, Deezer, Google Play Music, Pandora, Spotify en Radio van Tuneln, en downloads van elke service met DRM-vrije nummers. De beschikbaarheid van services verschilt per regio. Zie <a href="http://www.sonos.com/music">http://www.sonos.com/music</a> voor een volledige lijst.
Internetradio ondersteund	Voor streaming van MP3, HLS/AAC en WMA
Ondersteunde albumillustraties	JPEG, PNG, BMP, GIF

**Ondersteunde afspeellijsten** Rhapsody, iTunes, WinAmp en Windows Media Player (.m3u, .pls, .wpl)

### Netwerken\*

- Draadloze connectiviteit** Hiermee maak je verbinding met het wifithuisnetwerk met elke 802.11 b/g/n-router. Alleen 802.11n-netwerkconfiguraties worden niet ondersteund. Je kan de routerinstellingen wijzigen in 802.11 b/g/n of een Sonos product aansluiten op je router.
- SonosNet™ Extender** Functies om de kracht van SonosNet uit te breiden en te verbeteren, een beveiligd draadloos peer-to-peer-netwerk met AES-codering dat speciaal is ontwikkeld voor Sonos om wifi-interferentie te verminderen.
- Ethernet-poort** Via de 10/100 Mbps Ethernet-poort kan je verbinding maken met je netwerk of met andere Sonos speakers.

### Algemeen

- Voeding** 100-240 VAC, 50/60 Hz, automatische schakeling
- Knoppen** Volume en Afspelen/Pauzeren. Druk eenmaal op de knop Afspelen/Pauzeren om de muziek te starten of te stoppen; druk tweemaal om naar het volgende nummer te gaan
- LED** Geeft de status van de SYMFONISK aan
- Afmetingen (h x b x d)** 401 x 216 x 216 (mm)
- Gewicht** 2900 g
- Bedrijfstemperatuur** 0 tot 40 °C
- Opslagtemperatuur** -20 tot 70 °C

\*Specificaties kunnen zonder voorafgaande kennisgeving worden gewijzigd.

SYMFONISK är en trådlös högtalare som fungerar inom Sonos-systemet och låter dig njuta av all musik du vill, överallt i ditt hem.

Två drivare, 3,2 i (8 cm) mid-woofer och diskant-högtalare, var och en med en dedikerad förstärkare.

Play/Paus-funktionen kommer ihåg det sista du lyssnade på. Du kan till och med hoppa till nästa spår med en dubbeltryckning.

Koppla ihop två SYMFONISK för fantastiskt stereoljud eller använd två SYMFONISK som bakre högtalare i ett Sonos hemmabiosystem.

Fungerar med hela sortimentet av Sonos-produkter.

## Komma igång

### Det här behöver du:

- Wifi- ha ditt nätverksnamn och lösenord redo. Se Sonos-krav.
- Mobil enhet – ansluten till samma wifi. Du använder den för installationen.
- Sonos-appen – du använder den för att installera och styra ditt Sonos-system (installera den på den mobila enhet som du använder vid installationen).
- Ett Sonos-konto – om du inte har ett konto skapar du ett under installationen. Se Sonos-konton för mer information.

### Är Sonos nytt för dig?

Ladda ner appen från appbutiken på din mobila enhet. Öppna appen så guidar vi dig genom installationen.

När ditt Sonos-system är installerat kan du även använda datorn för att styra musiken. Hämta appen på [www.sonos.com/support/downloads](http://www.sonos.com/support/downloads).

För de senaste systemkraven och kompatibla ljudformaten, gå till <https://faq.sonos.com/specs>.

### Har du redan Sonos?

Du kan enkelt lägga till nya högtalare när som helst (upp till 32). Anslut bara högtalaren och tryck på > Lägg till högtalare.

Om du lägger till en Boost ansluter du den och trycker på > Inställningar > Lägg till Boost eller Bridge.

### Krav för Sonos

Dina Sonos-högtalare och den mobila enheten med Sonos-appen måste vara inloggade på samma wifi-nätverk.



### Trådlös installation

I de flesta hem är det enklast att installera Sonos på det trådlösa nätverket i hemmet. Allt du behöver är:

- Höghastighets-ADSL/kabelmodem (eller bredbandsanslutning via fiber till hemmet).
- 2,4 GHz 802.11b/g/n trådlöst hemnätverk.

**Observera:** Internetåtkomst via satellit kan leda till uppspelningsproblem. Om ditt trådlösa nätverk blir opålitligt kan du enkelt gå över till trådbunden installation.

### Trådbunden installation

Anslut en Sonos Boost eller högtalare till routern med en nätverkskabel om:

- Ditt wifi är långsamt, opålitligt eller inte når alla rum där du vill använda Sonos.
- Nätverket redan utsätts för stor belastning genom videostreaming och internetanvändning och du vill skapa ett separat trådlöst nätverk enbart för Sonos-systemet.
- Ditt nätverk är endast 5 GHz (går inte att växla till 2,4 GHz).
- Routern stöder endast 802.11 n (du kan inte ändra inställningarna för att stödja 802.11 b/g/n).

**Obs:** för oavbruten uppspelning, använd nätverkskabel för att ansluta dator eller NAS-enhet som har dina musikbiblioteksfiler till routern. Om du vill ändra till trådlös installation senare, se Växla till trådlös installation för mer information.

### Sonos-appen

Sonos-appen är tillgänglig för följande enheter:

- iOS-enheter som använder iOS 11 och senare.
- Android 7 och högre.
- macOS 10.11 och senare.
- Windows 7 och senare.

**Obs:** Sonos-appen på iOS 10, Android 5 och 6 och Fire OS 5 kommer inte längre att få mjukvaruuppdateringar men kan fortfarande användas för att kontrollera vanliga funktioner.

**Obs:** Du installerar Sonos med en mobil enhet, men sedan kan du använda vilken enhet som helst för att styra musiken.

## **AirPlay 2**

Om du vill använda AirPlay med SYMFONISK behöver du en enhet som använder iOS 11.4 eller senare.

## **Format som stöds**

### *Ljudformat*

Stöd för komprimerad MP3, AAC (utan DRM), WMA utan DRM (inklusive köpta Windows Media downloads), AAC (MPEG4), AAC +, OGG Vorbis, Apple Lossless, FLAC (lossless) musikfiler, samt okomprimerade WAV och AIFF-filer.

Inbyggt stöd för 44,1 kHz samplingsfrekvenser. Ytterligare stöd för 48 kHz, 32 kHz, 24 kHz, 22 kHz, 16 kHz, 11 kHz och 8 kHz samplingsfrekvenser. MP3 stöder alla hastigheter utom 11 kHz och 8 kHz.

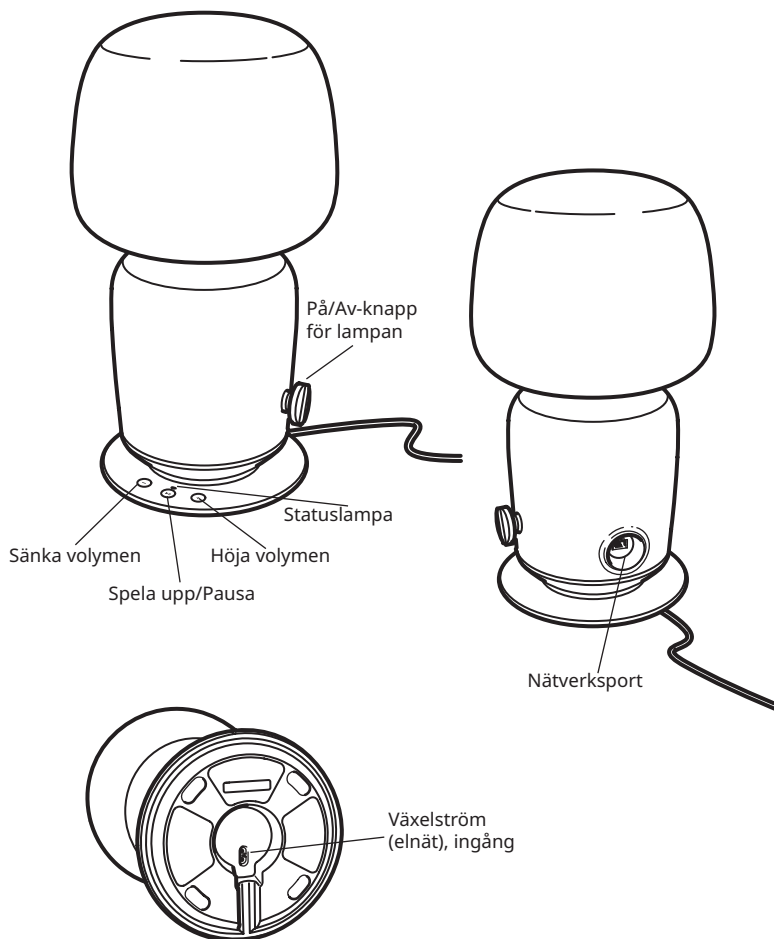
**Obs:** Apple "FairPlay," WMA DRM-och WMA Lossless-format stöds inte för närvarande. Tidigare inköpta Apple "FairPlay" DRM-skyddade låtar kan uppgraderas.

## **Streamingtjänster**

SYMFONISK fungerar med de flesta musik- och innehållstjänster, samt hämtningar från alla tjänster som erbjuder DRM-fria spår. Tjänstens tillgänglighet varierar beroende på region.

En fullständig lista finns på <https://www.sonos.com/music>.

## SYMFONISK fram- / baksida



<b>På/Av</b>	<p>Sonos är utformat för att alltid vara på; systemet använder minimalt med elektricitet när det inte spelar musik. Om du vill sluta streama ljud i ett rum trycker du på knappen Spela upp/Pausa på högtalaren.</p> <p>Knapp för Ljus På/Av: även om du stänger av ljuset stängs inte högtalaren och ljudet av.</p>
<b>Spela upp/Pausa</b>	<p>Växlar mellan att spela upp och pausa ljud (startar om samma musikkälla om inte en annan källa har valts).</p> <p>Tryck en gång för att starta eller stoppa strömmande ljud.</p> <p>Tryck två gånger för att hoppa till nästa spår (om tillämpligt för den valda musikkällan).</p> <p>Tryck tre gånger för att hoppa till föregående spår (om tillämpligt för den valda musikkällan).</p> <p>Tryck och håll ned för att lägga till musiken som spelas i ett annat rum.</p>
<b>Statuslampan</b>	<p>Visar aktuell status. Vid normal drift lyser det vita ljuset svagt. Du kan stänga av den vita lampan från Mer-&gt; Inställningar-&gt; Rumsinställningar.</p> <p>Se Statuslampa för en fullständig lista.</p>
<b>Volym upp (+) Volym ned (-)</b>	<p>Tryck för att justera volymen uppåt och nedåt.</p>
<b>Nätverksport</b>	<p>Du kan använda en nätverkskabel (medföljer) för att ansluta SYMFONISK till en router, dator eller ytterligare nätverksenhet, till exempel en nätverksansluten lagringsenhet (NAS).</p>
<b>Växelström (elnät), ingång (100-240 VAC, 50/60 Hz)</b>	<p>Använd endast den medföljande strömsladden för att ansluta till eluttag (att använda en strömsladd från en annan tillverkare upphäver din garanti).</p> <p>Sätt i strömsladden ordentligt i SYMFONISK tills den är i jämnhöjd med enhetens undersida.</p>

### Välja en plats

Placera SYMFONISK på en fast och stabil yta. För att du ska kunna njuta fullt ut har vi några riktlinjer:

SYMFONISK är konstruerad för att fungera bra även när den placeras intill en vägg eller annan yta.

Försiktighet bör iaktas vid placering av SYMFONISK nära en äldre CRT-tv (katodstrålerör). Om du märker någon missfärgning eller förvrängning av din bildkvalitet, flytta SYMFONISK längre från tv:n.

### Lägga till i ett befintligt Sonos-system

När du har installerat ditt Sonos-musiksystem kan du enkelt lägga till fler Sonos-produkter när som helst (upp till 32).

1. Välj en plats för din SYMFONISK (se Välja en plats ovan för bästa placeringsriktlinjer.)
2. Anslut strömsladden till SYMFONISK och sätt på strömmen. Var noga med att trycka in strömsladden ordentligt i botten på SYMFONISK tills den är i jämnhöjd med enhetens undersida.

**Obs:** Om du vill göra en trådbunden anslutning, ansluter du en standardnätverkskabel från routern (eller en nätverkspanel om du har inbyggda ledningar) till nätverksporten på baksidan av en Sonos-produkt.

3. Välj ett av följande alternativ:

På en mobil enhet går du till **Mer-> Inställningar-> Lägg till en spelare eller SUB** och följ anvisningarna.

Tjocka väggar, 2,4 GHz sladdlösa telefoner eller närvaron av andra trådlösa enheter kan störa eller blockera trådlösa nätverkssignaler från Sonos. Om du får problem efter att ha placerat en Sonos-produkt kan du prova en eller flera av följande lösningar — flytta på Sonos-produkten; ändra den trådlösa kanal som ditt musiksystem använder; ansluta en Sonos-produkt till routern om din installation är trådlös.

**Finjustera ditt rum med Trueplay™ \***

Alla rum är olika. Med Trueplay-justering kan du placera dina Sonos-högtalare var du vill. Trueplay analyserar rummets storlek, planlösning, inredning, högtalarplacering och andra akustiska faktorer som kan påverka ljudkvaliteten. Sedan justerar den hur varje woofer och diskant-högtalare producerar ljud i det rummet (fungerar på mobila enheter som använder iOS 11 eller senare).

*\* iPhone, iPad eller iPod touch behövs för att installera Trueplay.*

Gå till **Mer-> Inställningar-> Rumsinställningar**. **Välj ett rum** och tryck på Trueplay-justering för att komma igång.

**Obs:** Trueplay-inställning är inte tillgänglig om VoiceOver är aktiverat på din iOS-enhet. Om du vill ställa in högtalarna, stäng först av VoiceOver i enhetsinställningarna.

**Skapa ett stereopar**

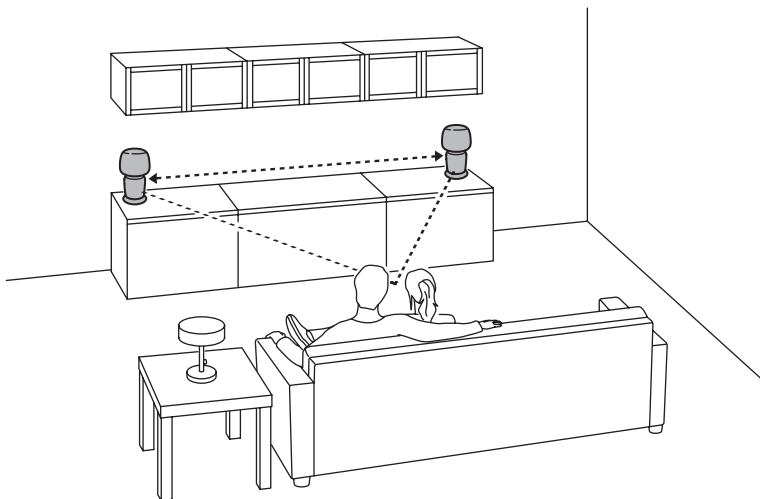
Du kan kombinera två identiska SYMFONISK högtalare i samma rum för att skapa en bredare stereoupplevelse. I den här installationen fungerar en högtalare som vänster kanal och den andra fungerar som höger kanal.

**Obs:** SYMFONISK högtalarna i stereoparet måste vara av samma modell.

### Optimal placering

När du skapar ett stereopar är det bäst att placera de två Sonos-produkterna på 2,5 till 3 meters avstånd från varandra.

Den plats där du föredrar att lyssna bör vara 2,5 till 3,5 meter från de ihopkopplade Sonos-produkterna. Mindre avstånd kommer att öka basen, mer avstånd kommer att förbättra stereoavbildningen.



### Använda Sonos-appen på en mobil enhet

1. Gå till **Mer**-> **Inställningar**-> **Rumsinställningar**.
2. Välj en SYMFONISK att koppla.
3. Välj **Skapa stereopar** och följ anvisningarna för att ställa in stereoparet.

### Så här separerar du ett stereopar:

1. Gå till **Mer**-> **Inställningar**-> **Rumsinställningar**.
2. Välj det stereopar som du vill separera (stereoparet visas med V + H i rumsnamnet.)
3. Välj **Separera stereopar**.

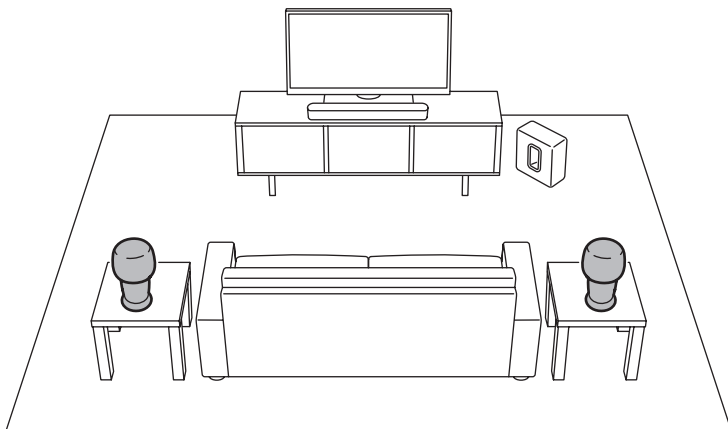
## Surroundhögtalare

### Lägga till surroundhögtalare

Du kan enkelt kopplaihop två högtalare, till exempel två PLAY:5 med en Sonos-hemmabioproduct för att fungera som vänster och höger surroundkanaler i din Sonos-surround-lösning. Du kan antingen konfigurera surroundhögtalarna under installationsprocessen, eller följa stegen nedan för att lägga till dem.

Se till att Sonos-produkterna är desamma – du kan inte kombinera en SYMFONISK bokhylle- och en SYMFONISK bordlamps-högtalare för att fungera som surroundhögtalare.

Följ de här anvisningarna för att ställa in surroundhögtalarna. Skapa inte en rumsgrupp eller ett stereopar, eftersom dessa inte kommer att fungera som vänster och höger surroundkanal.



### Använda Sonos-appen på en mobil enhet

1. Gå till **Mer-> Inställningar-> Rumsinställningar**.
2. Välj det rum där Sonos-hemmabioproducten finns.
3. Välj **Lägg till surround**.
4. Följ anvisningarna för att lägga till först en vänster och sedan en höger surroundhögtalare.



### Ta bort surroundhögtalare

1. Gå till **Mer-> Inställningar-> Rumsinställningar**.
2. Välj det rum där surroundhögtalarna finns. Rumsnamnet visas som rum (+ VS + HS) i Rumsinställningar.
3. Välj **Ta bort surround**.
4. Välj Nästa för att ta bort surroundhögtalarna från ditt surroundsystem. Om dessa var nyinköpta SYMFONISK visas de som Oanvända på Rumsinställningar. Om dessa SYMFONISK fanns i ditt hem tidigare, återgår de tillbaka till sitt tidigare tillstånd. Du kan nu flytta dem till ett annat rum för individuell användning.

### Ändra surroundinställningarna

Standardinställningen bestäms av kalibrering processen. Om du vill göra en ändring kan du följa stegen nedan.

1. Gå till **Mer-> Inställningar-> Rumsinställningar**.
2. Välj det rum där surroundhögtalarna finns. Det visas som Rum (+ VS + HS) i Rumsinställningar.
3. Välj **Avancerat ljud-> Surroundinställningar**.
4. Välj något av följande:

**Surround:** Välj På eller Av för att slå på och av ljudet från surroundhögtalarna.

**Tv:** dra med fingret över skjutreglaget för att öka eller minska volymen på surroundhögtalarna för uppspelning av tv-ljud.

**Musik:** dra med fingret över skjutreglaget för att öka eller minska volymen på surroundhögtalarna för uppspelning av musik. **Musikuppspelning:** Välj Ambient (standard; mjukt omgivande ljud) eller Full (möjliggör högre, rikt ljud). Den här inställningen gäller endast musikuppspelning, inte tv-ljud.

**Balansera surroundhögtalare (iOS):** Välj Balansera surroundhögtalare och följ anvisningarna för att manuellt balansera surroundhögtalarna.

### Spela upp musik

Gör ett val genom att trycka på Bläddra på din mobila enhet eller genom att välja en musik källa från MUSIC på en Mac eller PC.

### Radio

Sonos innehåller en radioguide som ger omedelbar tillgång till över 100 000 gratis förinstallerade lokala och internationella radiostationer, program och poddsändningar som streamas från alla kontinenter.

Välj en radiostation genom att välja **Bläddra-> Radio by TuneIn** och välj en station.

### Musiktjänster

En musiktjänst är en musikbutik online eller onlinetjänst som säljer ljud på abonnemangsbasis. Sonos är kompatibelt med flera musiktjänster – du kan besöka vår webbplats på [www.sonos.com/music](http://www.sonos.com/music) för den senaste listan. (Viss musiktjänst kanske inte är tillgängliga i ditt land. Se den enskilda musiktjänstens webbplats för mer information.)

Om du för närvarande prenumererar på en musiktjänst som är kompatibel med Sonos lägger du helt enkelt till ditt användarnamn och lösenordsinformation för tjänsten till Sonos enligt instruktioner, så får du omedelbar tillgång till musiktjänsten från ditt Sonos-system.

1. Om du vill lägga till en musiktjänst trycker du på **Mer-> Lägg till musiktjänster**.
2. Välj en musiktjänst.
3. Välj **Lägg till i Sonos** och följ sedan anvisningarna. Din inloggning och ditt lösenord kommer att verifieras med musiktjänsten. Så snart dina autentiseringsuppgifter har verifierats, kommer du att kunna välja musiktjänsten från Bläddra (på mobila enheter) eller MUSIC-menyn (på en Mac eller PC).

### AirPlay 2

Du kan använda AirPlay 2 för att streama musik, filmer, poddsändningar och annat direkt från dina favoritappar till dina SYMFONISK högtalare. Lyssna på Apple Music på din SYMFONISK. Titta på en YouTube- eller Netflix-video och njuta av ljudet från SYMFONISK.

Du kan också använda AirPlay direkt från många av dina favoritappar.

### Inställningar för equalizer

SYMFONISK kommer med förinställd equaliser/utjämning (EQ) för att ge bästa upplevelse. Om du vill kan du ändra ljudinställningarna (bas, diskant, balans eller loudness) så att de passar dina personliga preferenser.

**Obs:** balans är endast justerbar när SYMFONISK används i ett stereopar.

1. På en mobil enhet går du till **Mer-> Inställningar-> Rumsinställningar**.
2. Välj ett rum.
3. Välj **EQ** och dra sedan fingret över skjutreglagen för att göra justeringar.
4. Om du vill ändra loudness-inställningen trycker du på **På eller Av**. (Loudness-inställningen ökar vissa frekvenser, inklusive bas, för att förbättra ljudet vid låg volym.)

### Jag har en ny router

Om du köper en ny router eller ändrar din ISP (internetleverantör) måste du starta om alla dina Sonos-produkter efter att routern har installerats.

**Obs:** Om ISP-teknikern ansluter en Sonos-produkt till den nya routern, behöver du bara starta om dina trådlösa Sonos-produkter.

1. Koppla loss nätsladden från alla dina Sonos-produkter i minst 5 sekunder.
2. Återanslut dem en i taget och börja med den Sonos-produkt som är ansluten till routern (om en sådan vanligtvis är ansluten).  
Vänta tills dina Sonos-produkter har startats om. Statuslampan ändras till fast vitt sken på varje produkt när omstarten är slutförd.

Om din Sonos-konfiguration är helt trådlös (om du inte har en Sonos-produkt ansluten till routern) måste du också ändra lösenordet för det trådlösa nätverket. Följ stegen nedan:

1. Anslut tillfälligt en av dina Sonos-högtalare till den nya routern med en nätverkskabel.
2. Gå till **Mer-> Inställningar-> Avancerade inställningar-> Trådlös inställning**. Sonos kommer att känna av ditt nätverk.
3. Ange lösenordet för ditt trådlösa nätverk.
4. När lösenordet har accepterats, koppla bort högtalaren från routern och flytta tillbaka den till sin ursprungliga plats.

### Jag vill ändra lösenordet för det trådlösa nätverket

Om ditt Sonos-system är installerat trådlöst och du ändrar lösenordet för det trådlösa nätverket måste du också ändra det på ditt Sonos-system.

1. Anslut tillfälligt en av dina SYMFONISK-högtalare till routern med en nätverkskabel.
2. Välj något av följande:  
**Med Sonos-appen på en mobil enhet** går du till Mer-> Inställningar-> Avancerade inställningar-> Trådlös inställning.  
**Använd Sonos-appen på en PC** och gå till Inställningar-> Avancerat på menyn Hantera. På menyn Allmänt väljer du Trådlös inställning.  
**Om du använder Sonos-appen på en Mac**, gå till Inställningar-> Avancerat på Sonos-menyn. Välj Trådlös installation på menyn Allmänt.
3. Ange det nya lösenordet för det trådlösa nätverket när du tillfrågas.
4. När lösenordet har accepterats kan du koppla bort högtalaren från routern och flytta tillbaka den till dess ursprungliga plats.

### Återställ din SYMFONISK-högtalare

Den här processen tar bort registreringsinformation, innehåll som har sparats i My Sonos och musiktjänster från din SYMFONISK-högtalare. Detta görs vanligt innan överföring av ägande till en annan person.

Din Sonos-app kan också rekommendera att du går igenom den här processen om den inte hittar din produkt under installationen. Om du vill radera data från flera SYMFONISK-högtalare måste du utföra dessa steg på var och en av dem.

Om du återställer alla produkter i ditt system raderas systemets data permanent. Det kan inte återställas.

1. Koppla ur nätsladden.
2. Tryck och håll ner knappen ►|| Spela / paus medan du ansluter nätsladden igen.
3. Fortsätt hålla in knappen tills lampan blinkar orange och vitt.
4. Lampan blinkar grönt när processen är klar och produkten är redo att installeras.

Statuslampor	Status	Tilläggsinformation
Blinkande vit	Strömmen slås på.	
Stadigt vit (svagt upplyst)	Strömmen är på och ansluten till ett Sonos-system (normal drift).	Du kan sätta på och stänga av den vita statuslampan från Mer -> Rumsinställningar. (Sonos-produkter som är ihopkopplade delar samma inställning.)
Blinkande grön	Strömmen är på, ännu inte ansluten till ett Sonos-system, eller WAC (trådlös installationsåtkomst)	För en SUB, det här kan indikera att SUB ännu inte är ihopkopplad med en högtalare.
Långsamt blinkande grön	Surroundljudet är av eller SUB-ljudet är av.	Gäller för högtalare som installerats som en surround-högtalare, eller för en SUB ihopkopplad med en PLAYBAR.
Stadigt grön	Volym inställd på noll eller tyst.	
Blinkande orange	Under installation av SonosNet sker detta efter en knapptryckning medan produkten söker efter ett hushåll att gå med i.	
Snabbt blinkande orange	Uppspelning/Nästa spår misslyckades	
Stadig orange	Under den trådlösa installation sker detta medan Sonos öppna åtkomstpunkt är tillfälligt aktiv. Om du inte installerar Sonos kan detta indikera varningsläge.	
Blinkande grön och vit	Högtalare länkas till ditt Sonos-konto.	Länka högtalaren/högtalarna till ditt konto. För mer information, se <a href="http://faq.sonos.com/accountlink">http://faq.sonos.com/accountlink</a>
Blinkande röd och vit	Högtalarens partitionering misslyckades.	Kontakta kundtjänst.
Blinkande rött	Högtalarens tillåtna installationstid har överskridits. Det här händer om en högtalare är ansluten i 30 minuter utan att installeras.	Koppla ur högtalaren, vänta i 10 sekunder, sätt tillbaka den och installera.

## Viktig säkerhetsinformation

### Skötselråd

För att rengöra högtalaren, torka med en mjuk fuktad trasa. Använd en annan mjuk, torr trasa för att torka torrt.

### INFORMATION OM RF-EXPONERING

Enligt regler för RF-exponering ska slutanvändaren under normal drift avstå från att befinna sig närmare än 20 cm från anordningen.



Den överkorsade soptunnan visar att produkten ska slängas separat från hushållsavfallet. Produkten ska lämnas in för återvinning i enlighet med lokala miljöbestämmelser för avfallshantering. Genom att separera ett markerat föremål från hushållsavfallet hjälper du till att minska mängden avfall som skickas till förbränningsugnar eller markpåfyllning och minimerar alla potentiellt negativa effekter på människors hälsa och miljön. För mer information, vänligen kontakta ditt IKEA varuhus.

## Specifikationer

Funktion	Beskrivning
<b>Ljud</b>	
<b>Förstärkare</b>	Två digitala klass D-förstärkare.
<b>Diskant</b>	En diskant skapar ett skarpt och exakt högfrekvenssvar.
<b>Mid-woofer</b>	En mid-woofer garanterar sann återgivning av mellanregistret plus djup, fyllig bas.
<b>Stereoparinställning</b>	Gör två SYMFONISK högtalare till två separata vänster och höger högtalare.
<b>Hemmabio</b>	Lägg till två SYMFONISK högtalare till en Sonos hemmabiolösning.
<b>Musik</b>	
<b>Ljudformat som stöds</b>	<p>Stöd för komprimerad MP3, AAC (utan DRM), WMA utan DRM (inklusive köpta Windows Media downloads), AAC (MPEG4), AAC +, OGG Vorbis, Apple Lossless, FLAC (lossless) musikfiler, samt okomprimerade WAV och AIFF-filer.</p> <p>Inbyggt stöd för 44,1 kHz samplingsfrekvenser. Ytterligare stöd för 48 kHz, 32 kHz, 24 kHz, 22 kHz, 16 kHz, 11 kHz och 8 kHz samplingsfrekvenser. MP3 stöder alla hastigheter utom 11 kHz och 8 kHz.</p> <p><b>Obs:</b> Apple "FairPlay," WMA DRM-och WMA Lossless-format stöds inte för närvarande. Tidigare inköpta Apple "FairPlay" DRM-skyddade låtar kan uppgraderas</p>
<b>Musiktjänster som stöds</b>	Sonos fungerar med de flesta musiktjänster, inklusive Apple Music™, Deezer, Google Play Music, Pandora, Spotify och radio från TuneIn, samt hämtningar från alla tjänster som erbjuder DRM-fria spår. Tjänstens tillgänglighet varierar beroende på region. En fullständig lista finns på <a href="http://www.sonos.com/music">http://www.sonos.com/music</a> .
<b>Internetradio som stöds</b>	Streama MP3, HLS/AAC, WMA
<b>Albumdesign som stöds</b>	JPEG, PNG, BMP, GIF
<b>Spellistor som stöds</b>	Rhapsody, iTunes, WinAmp, and Windows Media Player (.m3u, .pls, .wpl)

## Nätverk\*

<b>Trådlös anslutning</b>	Ansluter till trådlösa hemnätverk med valfri 802.11b/g/n-router. Nätverkskonfigurationer med enbart 802.11n stöds inte. Du kan antingen ändra routerinställningarna till 802.11b/g/n eller ansluta en Sonos-produkt till routern.
<b>SonosNet utökning</b>	Funktioner för att utöka och förbättra kraften i SonosNet, ett säkert AES-krypterat, P2P trådlöst mesh-nätverk dedikerat exklusivt för Sonos för att minska wifi-störningar.
<b>Nätverksport</b>	En 10/100Mbps nätverksport möjliggör anslutning till ditt nätverk eller till andra Sonos-högtalare.

## Allmänt

<b>Strömförsörjning</b>	Automatiskt växlande 100–240 V, 50/60 Hz
<b>Knapparna</b>	Volym och Spela upp/Pausa. Tryck på Play/Pause-knappen en gång för att starta eller stoppa musiken; två gånger för att hoppa till nästa spår.
<b>LED</b>	Visar status på SYMFONISK.
<b>Mått (H x D x B)</b>	401 x 216 x 216 (mm)
<b>Vikt</b>	2,9 kg
<b>Driftstemperatur</b>	0° till 40° C (32° till 104° F)
<b>Förvaringstemperatur</b>	-20° till 70° C (4° till 158° F)

\* Specifikationer kan ändras utan föregående meddelande.





