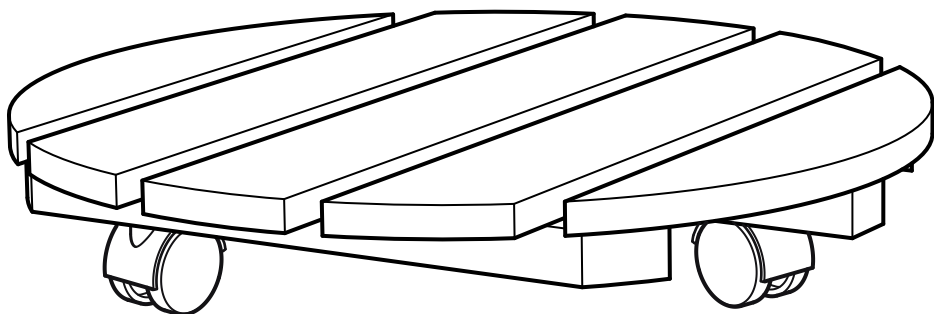
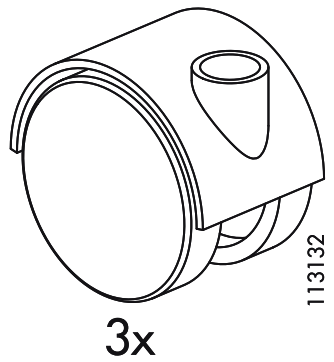
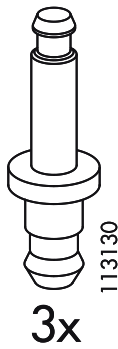
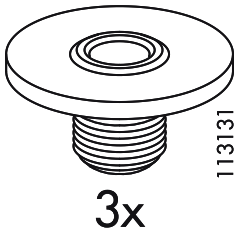
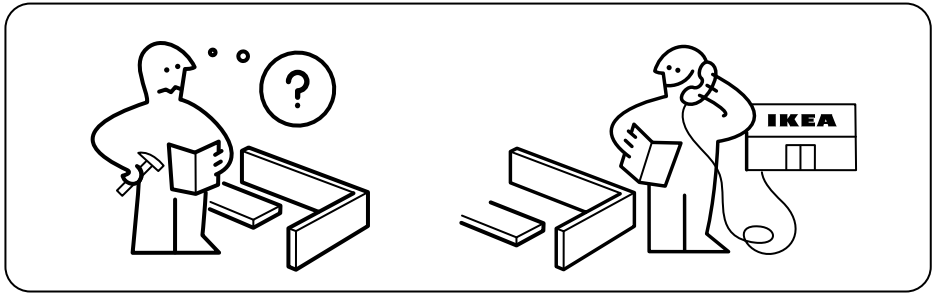
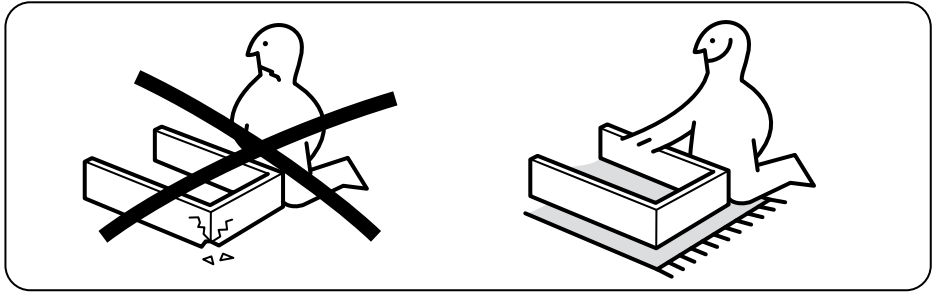
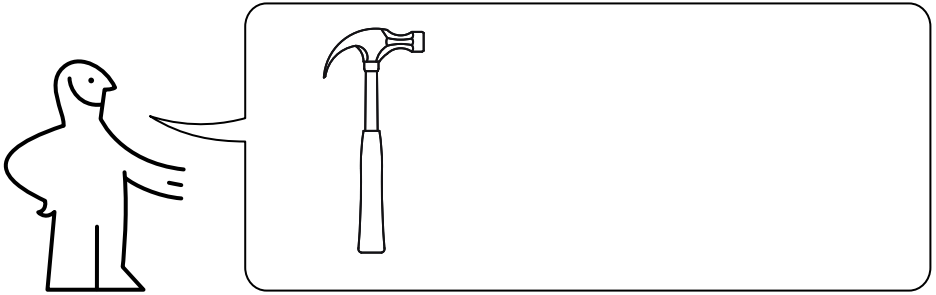


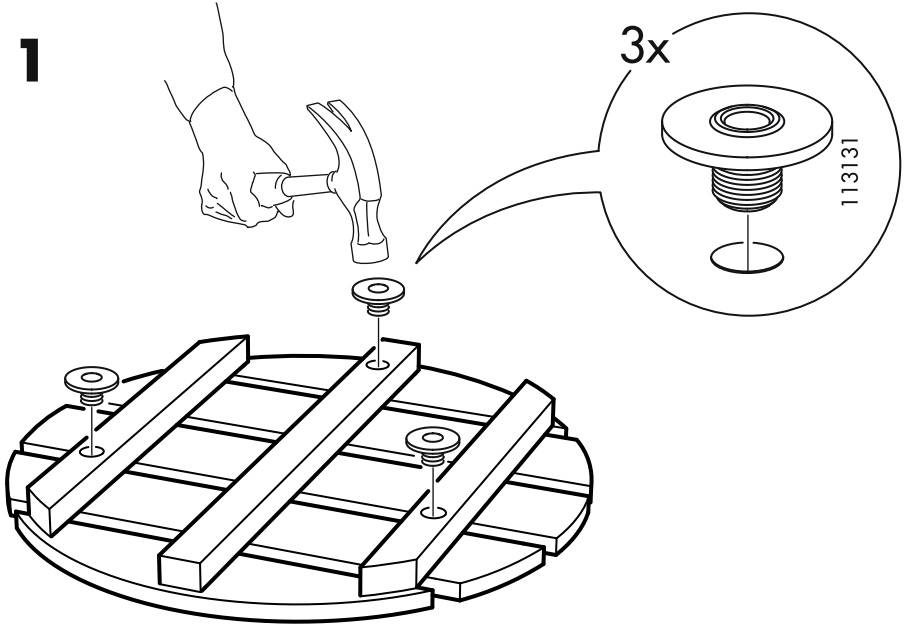
VILDAPEL



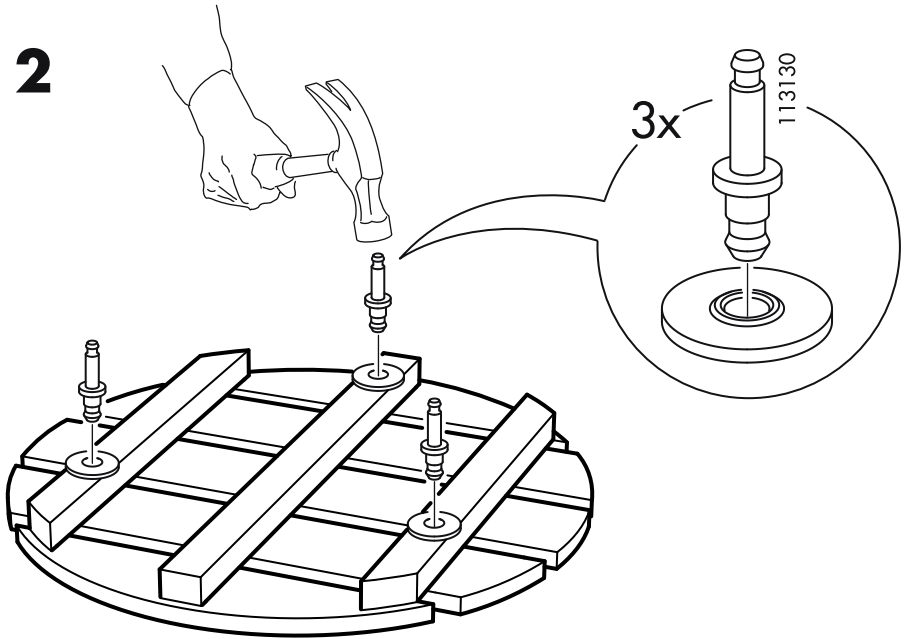
Design and Quality
IKEA of Sweden



1



2



3

