

TILLREDA

GB

DE

FR

IT



Design and Quality
IKEA of Sweden

ENGLISH	3
DEUTSCH	16
FRANÇAIS	31
ITALIANO	46

1. SAFETY INFORMATION	5
2. PRODUCT DESCRIPTION	10
3. CONTROL PANEL	11
4. TROUBLE SHOOTING	12
5. SPECIFICATIONS	12
6. INSTALLATION AND CONNECTION	13
7. ENVIRONMENTAL CONCERNS	13
8. IKEA GUARANTEE	14

ENGLISH

Read these instructions carefully before using your microwave oven, and keep it carefully.

If you follow the instructions, your oven will provide you with many years of good service.

**SAVE THESE
INSTRUCTIONS
CAREFULLY**

1. SAFETY INFORMATION



PRECAUTIONS TO AVOID POSSIBLE EXPOSURE TO EXCESSIVE MICROWAVE ENERGY

- a) Do not attempt to operate this oven with the door open since this can result in harmful exposure to microwave energy. It is important not to break or tamper with the safety interlocks.
- b) Do not place any object between the oven front face and the door or allow soil or cleaner residue to accumulate on sealing surfaces.
- c) **WARNING:** If the door or door seals are damaged, the oven must not be operated until it has been repaired by a competent person.

ADDENDUM

If the apparatus is not maintained in a good state of cleanliness, its surface could be degraded and affect the lifespan of the apparatus and lead to a dangerous situation.

IMPORTANT SAFETY INSTRUCTIONS WARNING

To reduce the risk of fire, electric shock, injury to persons or exposure to excessive microwave oven energy when using your appliance, follow basic precautions, including the following:

1. Read and follow the specific: **“PRECAUTIONS TO AVOID POSSIBLE EXPOSURE TO EXCESSIVE MICROWAVE ENERGY”**.
2. This device can be used by children of at least 8 years old and by people with reduced physical, sensory or mental capacities or lacking experience or knowledge, if they are properly supervised or if they were given instructions relating to the safe use of the device and if the risks involved have been understood. Children must not play with the device. Cleaning and maintenance by the user must not be carried out by unsupervised children.
3. Keep the appliance and its cord out of reach of children less than 8 years.

ENGLISH

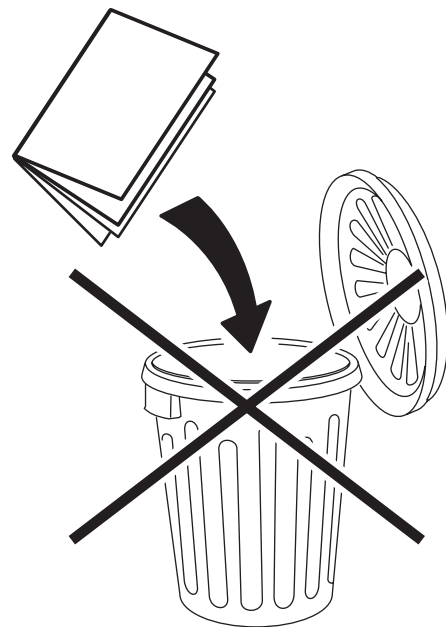
4. If the supply cord is damaged, it must be replaced by the manufacturer, its service agent or similarly qualified persons in order to avoid a hazard.
5. **WARNING:** It is hazardous for anyone other than a competent person to carry out any service or repair operation that involves the removal of a cover which gives protection against exposure to microwave energy.
6. Heating beverages by microwaves can cause a sudden, delayed burst of boiling liquid.
7. When heating food in plastic or paper containers, keep an eye on the oven due to the possibility of ignition.
8. Only use utensils that are suitable for use in microwave ovens.
9. If smoke is emitted, switch off or unplug the appliance and keep the door closed in order to stifle any flames.
10. Microwave heating of beverages can result in delayed eruptive boiling, therefore care must be taken when handling the container.
11. The contents of feeding bottles and baby food jars shall be stirred or shaken and the temperature checked before consumption, in order to avoid burns.
12. Eggs in their shell and whole hard-boiled eggs should not be heated in microwave ovens since they may explode, even after microwave heating has ended.
13. The oven should be cleaned regularly and any food deposits removed.
14. Failure to maintain the oven in a clean condition could lead to deterioration of the surface that could adversely affect the life of the appliance and possibly result in a hazardous situation.
15. The appliance must not be installed behind a decorative door in order to avoid overheating.
16. The microwave oven must be operated with any cabinet door open.
17. This appliance is intended to be used in household and similar applications such as:

ENGLISH

- staff kitchen areas in shops, offices and other working environments;
 - by clients in hotels, motels and other residential type environments;
 - farm houses;
 - bed and breakfast type environments.
18. The microwave oven is intended for heating food and beverages. Drying of food or clothing and heating of warming pads, slippers, sponges, damp cloth and similar may lead to risk of injury, ignition or fire.
19. Metallic containers for food and beverages are not allowed during microwave cooking.
20. The appliance shall not be cleaned with a steam cleaner.
21. The appliance is intended to be used freestanding or in a cabinet.
22. The rear surface of appliances shall be placed against a wall.
23. This appliance is for household and indoor use only. Don't use it outdoors!

24. To protect against electric shock, do not immerse main parts of the product, cord or plug in water or other liquids.
25. **WARNING:** Liquids and other foods must not be heated in sealed containers since they are liable to explode.

READ CAREFULLY AND KEEP FOR FUTURE REFERENCE.



ENGLISH

TO REDUCE THE RISK OF INJURY TO PERSONS GROUNDING INSTALLATION

DANGER

Electric Shock Hazard

Touching some of the internal components can cause serious personal injury or death. Do not disassemble this appliance.

WARNING

Electric Shock Hazard

Improper use of the grounding can result in electric shock. Do not plug into an outlet until appliance is properly installed and grounded.

This appliance must be grounded. In the event of an electrical short circuit, grounding reduces the risk of electric shock by providing an escape wire for the electric current. This appliance is equipped with a cord having a grounding wire with a grounding plug. The plug must be plugged into an outlet that is properly installed and grounded.

Consult a qualified electrician or serviceman if the grounding instructions are not completely understood or if doubt exists as to whether the appliance is properly grounded. If it is necessary to use an extension cord, use only a 3-wire extension cord.

1. A short power-supply cord is provided to reduce the risks resulting from becoming entangled in or tripping over a longer cord.
2. If a long cord set or extension cord is used:
 - a) The marked electrical rating of the cord set or extension cord should be at least as great as the electrical rating of the appliance.
 - b) The extension cord must be a grounding-type 3-wire cord.
 - c) The long cord should be arranged so that it will not drape over the counter top or tabletop where it can be pulled on by children or tripped over unintentionally.

CLEANING

Be sure to unplug the appliance from the power supply.

1. Clean the cavity of the oven after using with a slightly damp cloth.
2. Clean the accessories in the usual way in soapy water.
3. The door frame and seal and

neighbouring parts must be cleaned carefully with a damp cloth when they are dirty.

4. Do not use harsh abrasive cleaners or sharp metal scrapers to clean the oven door glass since they can scratch the surface, which may result in shattering of the glass.
5. *Cleaning Tip* ★ For easier cleaning of the cavity walls that the food cooked can touch: Place half a lemon in a bowl, add 300ml (1/2 pint) water and heat on 100% microwave power for 10 minutes. Wipe the oven clean using a soft, dry cloth.

UTENSILS

CAUTION

Personal Injury Hazard

It is hazardous for anyone other than a competent person to carry out any service or repair operation that involves the removal of a cover which gives protection against exposure to microwave energy.

See the instructions on **“MATERIALS YOU CAN USE IN MICROWAVE OVEN OR TO BE AVOIDED IN MICROWAVE OVEN.”**

There may be certain non-metallic utensils that are not safe to use for microwaving. If in doubt, you can test the utensil in question following the procedure below.

Utensil Test:

1. Fill a microwave-safe container with 1 cup of cold water (250ml) along with the utensil in question.
2. Cook on maximum power for 1 minute.
3. Carefully feel the utensil. If the empty utensil is warm, do not use it for microwave cooking.
4. Do not exceed 1 minute cooking time.

ENGLISH

MATERIALS YOU CAN USE IN MICROWAVE OVEN

Utensils	Remarks
Browning dish	Follow manufacturer's instructions. The bottom of browning dish must be at least 3/16 inch (5mm) above the turntable. Incorrect usage may cause the turntable to break.
Dinnerware	Microwave-safe only. Follow manufacturer's instructions. Do not use cracked or chipped dishes.
Glass jars	Always remove lid. Use only to heat food until just warm. Most glass jars are not heat resistant and may break.
Glassware	Heat-resistant oven glassware only. Make sure there is no metallic trim. Do not use cracked or chipped dishes.
Oven cooking bags	Follow manufacturer's instructions. Do not close with metal tie. Make slits to allow steam to escape.
Paper plates and cups	Use for short-term cooking/warming only. Do not leave oven unattended while cooking.
Paper towels	Use to cover food for reheating and absorbing fat. Use with supervision for a short-term cooking only.
Parchment paper	Use as a cover to prevent splattering or a wrap for steaming.
Plastic	Microwave-safe only. Follow the manufacturer's instructions. Should be labeled "Microwave Safe". Some plastic containers soften, as the food inside gets hot. "Boiling bags" and tightly closed plastic bags should be slit, pierced or vented as directed by package.
Plastic wrap	Microwave-safe only. Use to cover food during cooking to retain moisture. Do not allow plastic wrap to touch food.
Thermometers	Microwave-safe only (meat and candy thermometers).
Wax paper	Use as a cover to prevent splattering and retain moisture.

MATERIALS TO BE AVOIDED IN MICROWAVE OVEN

Utensils	Remarks
Aluminum tray	May cause arcing. Transfer food into microwave-safe dish.
Food carton with metal handle	May cause arcing. Transfer food into microwave-safe dish.
Metal or metal-trimmed utensils	Metal shields the food from microwave energy. Metal trim may cause arcing.
Metal twist ties	May cause arcing and could cause a fire in the oven.
Paper bags	May cause a fire in the oven.
Plastic foam	Plastic foam may melt or contaminate the liquid inside when exposed to high temperature.
Wood	Wood will dry out when used in the microwave oven and may split or crack.

ENGLISH

2. PRODUCT DESCRIPTION

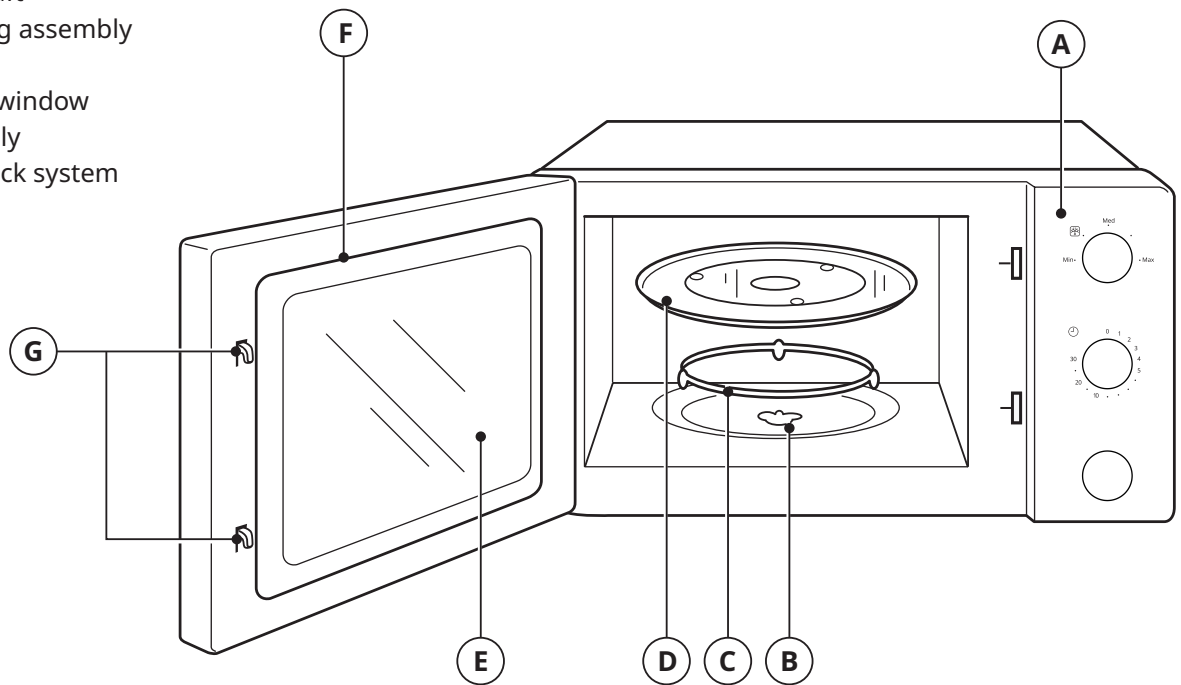
SETTING UP YOUR OVEN

Name of Oven Parts and Accessories

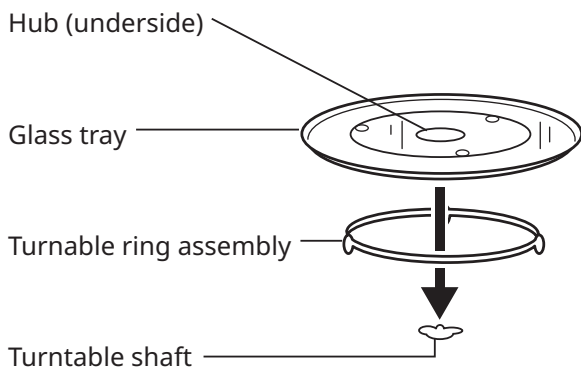
Remove the oven and all materials from the carton and oven cavity. Your oven comes with the following accessories:

Glass tray	1x
Turntable ring assembly	1x
Instruction Manual	1x

- A. Control panel
- B. Turntable shaft
- C. Turntable ring assembly
- D. Glass tray
- E. Observation window
- F. Door assembly
- G. Safety interlock system



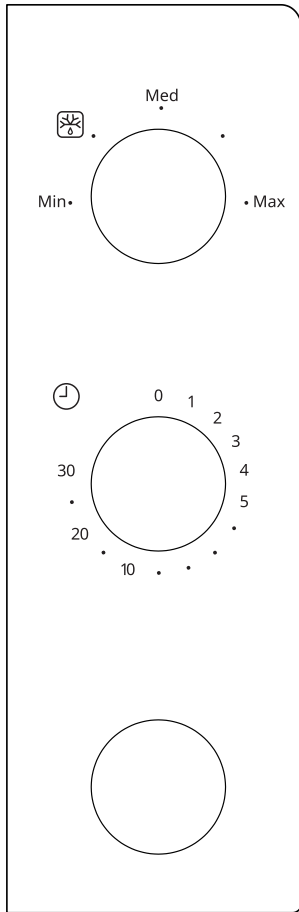
Turntable Installation




- a) Never place the glass tray upside down. The glass tray should never be restricted.
- b) Both glass tray and turntable ring assembly must always be used during cooking.
- c) All food and containers of food are always placed on the glass tray for cooking.
- d) If glass tray or turntable ring assembly cracks or breaks, contact your nearest authorized service center.

3. CONTROL PANEL

Control Panel and Features Operation Instructions



1. To set cooking power by turning the power knob to desired level.
2. To set the time of cooking by turning the timer knob to desired time per your food cooking guide.
3. The microwave oven will automatically start cooking after power level and time are set.
4. After the cooking time is up, the unit will “Dong” to stop.
5. If the unit is not in use, always set time to “0”.

Function/Power	Watts	Application
Min	115 W	Soften ice cream
	230 W	Soup stew, soften butter or defrost
Med	390 W	Stew, fish
.	540 W	Rice, fish, chicken, ground meat
Max	700 W	Reheat, milk, boil water, vegetables, beverage

Notice:

When removing food from the oven, please ensure that the oven power is switched off by turning the timer switch to 0 (zero).

Failure to do so, and operating the microwave oven without food in it, can result in overheating and damage to the magnetron.

ENGLISH

4. TROUBLE SHOOTING

Normal	
Microwave oven interfering TV reception	Radio and TV reception may be interfered when microwave oven operating. It is similar to the interference of small electrical appliances, like mixer, vacuum cleaner, electric fan. It is normal.
Dim oven light	In low power microwave cooking, oven light may become dim. It is normal.
Steam accumulating on door, hot air out of vents.	In cooking, steam may come out of food. Most will get out from vents, but some may accumulate on cool place like oven door. It is normal.
Oven started accidentally with no food in.	<i>It is forbidden to run the unit without any food inside. It is very dangerous.</i>

Trouble	Possible cause	Remedy
Oven can not be started.	(1) Power cord not plugged tightly.	Unplug. Then unplug again after 10 seconds.
	(2) Fuse blowing or circuit breaker works.	Replace fuse or reset circuit breaker (repaired by professional personnel of our company)
	(3) Trouble with outlet.	Test outlet with other electrical appliances.
Oven does not heat	(4) Door not closed well.	Close door well.

5. SPECIFICATIONS

Model:	TILLREDA 504.867.92
Rated Voltage:	220-230V~ 50Hz
Rated Input Power(Microwave):	1050W
Rated Output Power(Microwave):	700 W
Oven Capacity:	20 L
Turntable Diameter:	255 mm
External Dimensions:	439.5x340.0x258.2mm
Net Weight:	10.39 kg

6. INSTALLATION AND CONNECTION

Countertop Installation

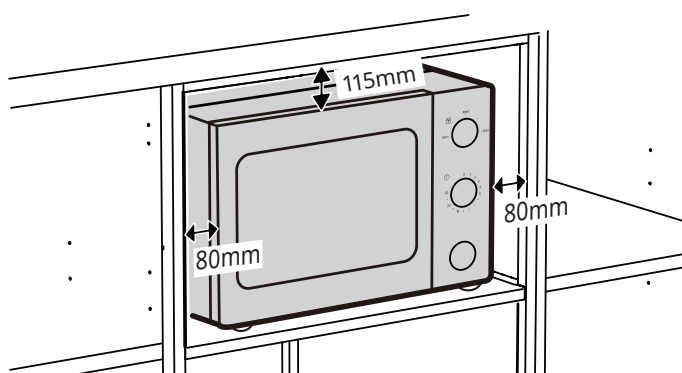
Remove all packing material and accessories. Examine the oven for any damage such as dents or broken door. Do not install if oven is damaged.

Cabinet: Remove any protective film found on the microwave oven cabinet surface.

Do not remove the white plastics cover that is attached to the oven cavity to protect the magnetron.

Installation

1. Select a level surface that provide enough open space for the intake and/or outlet vents.



- (1) The rear surface of appliance shall be placed against a wall. Leave a minimum clearance of 11.5 cm above the oven, a minimum clearance of 8 cm is required between the oven and any adjacent walls.
- (2) Do not remove the legs from the bottom of the oven.

- (3) Blocking the intake and/or outlet openings can damage the oven.
- (4) Place the oven as far away from radios and TV as possible. Operation of microwave oven may cause interference to your radio or TV reception.

2. Plug your oven into a standard household outlet. Be sure the voltage and the frequency is the same as the voltage and the frequency on the rating label.

WARNING: Do not install oven over a range cooktop or other heat-producing appliance. If installed near or over a heat source, the oven could be damaged and the warranty would be void.



The accessible surface may be hot during operation.

7. ENVIRONMENTAL CONCERNS



According to Waste of Electrical and Electronic Equipment (WEEE) directive, WEEE should be separately collected and treated. If at any time in future you need to dispose of this product please do NOT dispose of this product with household waste. Please send this product to WEEE collecting points where available.

8. IKEA GUARANTEE

How long is the IKEA guarantee valid?

The guarantee is valid for 2 years from the date of purchase unless otherwise specified in national legislation. Please go to IKEA.com to find out what applies in your country. The original sales receipt, is required as proof of purchase. If service work is carried out under guarantee, this will not extend the guarantee period for the appliance.

Who will execute the service?

Contact nearest IKEA store.

What does this guarantee cover?

The guarantee covers faults of the appliance, which have been caused by faulty construction or material faults from the date of purchase from IKEA. This guarantee applies to domestic use only. The exceptions are specified under the headline "What is not covered under this guarantee?" Within the guarantee period, the costs to remedy the fault e.g. repairs, parts, labour and travel will be covered, provided that the appliance is accessible for repair without special expenditure. Replaced parts become the property of IKEA.

What will IKEA do to correct the problem?

IKEA will examine the product and decide, at its sole discretion, if it is covered under this guarantee. If considered covered, IKEA will then, at its sole discretion, either repair the defective product or replace it with the same or a comparable product.

What is not covered under this guarantee?

- Normal wear and tear.
- Deliberate or negligent damage, damage caused by failure to observe operating instructions, incorrect installation or by connection to the wrong voltage, damage caused by chemical or electrochemical reaction, rust, corrosion or water damage including but not limited to damage caused by excessive lime in the water supply, damage caused by abnormal environmental conditions.
- Consumable parts including batteries and lamps.
- Non-functional and decorative parts which do not affect normal use of the appliance, including any scratches and possible colour differences.
- Accidental damage caused by foreign objects or substances and cleaning or unblocking of filters, drainage systems or soap drawers.
- Damage to the following parts: ceramic glass, accessories, crockery and cutlery baskets, feed and drainage pipes, seals, lamps and lamp covers,

screens, knobs, casings and parts of casings. Unless such damages can be proved to have been caused by production faults.

- Repairs not carried out by our appointed service providers and/or an authorized service contractual partner or where non-original parts have been used.
- Repairs caused by installation which is faulty or not according to specification.
- The use of the appliance in a non-domestic environment i.e. professional use.
- Transportation damages. If a customer transports the product to his home or another address, IKEA is not liable for any damage that may occur during transport. However, if IKEA delivers the product to the customer's delivery address, then damage to the product that occurs during this delivery will be covered by IKEA.
- Cost for carrying out the initial installation of the IKEA appliance. However, if an IKEA appointed Service Provider or its authorized service partner repairs or replaces the appliance under the terms of this guarantee, the appointed Service Provider or its authorized service partner will reinstall the repaired appliance or install the replacement, if necessary.

How country law applies

The IKEA guarantee gives you specific legal rights, which cover or exceed all the local legal demands. However these conditions do not limit in any way consumer rights described in the local legislation.

Area of validity

For appliances which are purchased in one EU country and taken to another EU country, the services will be provided in the framework of the guarantee conditions normal in the new country. An obligation to carry out services in the framework of the guarantee exists only if the appliance complies and is installed in accordance with:

- the technical specifications of the country in which the guarantee claim is made;
- the Assembly Instructions and User Manual Safety Information.

AFTER SALES for IKEA appliances

Please don't hesitate to contact IKEA to:

- make a service request under this guarantee.
- ask for clarification on functions of IKEA appliances.

To ensure that we provide you with the best assistance, please read carefully the Assembly Instructions and/or the User Manual before contacting us.

ENGLISH

How to reach us if you need our service



The IKEA after sales customer service centre will assist you on the phone with basic trouble shooting for your appliance at the time of service call request. Please see the IKEA catalogue or visit www.ikea.com to find your local store phone number and opening time.

In order to provide you a quicker service, please also always refer to the IKEA article number (8 digit code) placed on the rating plate of your appliance.

SAVE THE SALES RECEIPT!

It is your proof of purchase and required for the guarantee to apply. The sales receipt also reports the IKEA name and article number (8 digit code) for each of the appliances you have purchased.

Do you need extra help?

For any additional questions not related to After Sales of your appliances please contact your nearest IKEA store call centre. We recommend you read the appliance documentation carefully before contacting us.

1. SICHERHEITSHINWEISE	18
2. PRODUKTBESCHREIBUNG	25
3. BEDIENFELD	26
4. PROBLEMLÖSUNGEN	27
5. TECHNISCHE DATEN	27
6. MONTAGE UND ANSCHLUSS	28
7. HINWEISE ZUM UMWELTSCHUTZ	29
8. IKEA GARANTIE	29

DEUTSCH

Bevor Sie Ihren Mikrowellenherd benutzen, lesen Sie diese Anleitung aufmerksam und heben Sie sie gut auf.

Wenn Sie diese Anweisungen befolgen, wird Ihr Mikrowellenherd Ihnen viele Jahre lang gute Dienste leisten.

HEBEN SIE DIESE ANLEITUNG GUT AUF

1. SICHERHEITSHINWEISE



VORSICHTSMASSNAHMEN ZUR VERMEIDUNG EINER BELASTUNG DURCH ÜBERMÄSSIGE MIKROWELLENSTRAHLUNG

- a) Versuchen Sie nicht, dieses Mikrowellengerät mit offener Klappe zu betreiben, da dies zu einer schädlichen Einwirkung von Mikrowellenenergie führen kann. Die Sicherheitsriegel dürfen nicht zerbrochen oder beschädigt werden.
- b) Klemmen Sie nichts in die Frontseite des Herds und die Türe und entfernen Sie Schmutz und Reinigungsmittelreste regelmäßig von den Dichtungsflächen.
- c) **WARNUNG:** Wenn die Klappe oder deren Dichtungen beschädigt sind, darf die Mikrowelle erst nach fachmännischer Reparatur in Betrieb genommen werden.

NACHTRAG

Wenn die Mikrowelle nicht einwandfrei sauber gehalten wird, kann ihre Oberfläche zersetzt werden. Die

Lebensdauer kann darunter leiden und gefährliche Konsequenzen können daraus resultieren.

WICHTIGE SICHERHEITSHINWEISE

Zur Vermeidung von Bränden, Stromschlägen, Personenschäden oder übermäßiger Mikrowellenstrahlung bei der Benutzung des Geräts sind die folgenden grundlegenden Vorsichtsmaßnahmen zu berücksichtigen:

1. Beachten Sie bitte die jeweiligen Hinweise: **„VORSICHTSMASSNAHMEN ZUR VERMEIDUNG EINER BELASTUNG DURCH ÜBERMÄSSIGE MIKROWELLENSTRAHLUNG“**.
2. Dieses Gerät kann von Kindern im Alter ab mindestens 8 Jahren und von Personen mit eingeschränkten körperlichen, sensorischen oder geistigen Fähigkeiten oder ohne Erfahrung oder Wissen verwendet werden, wenn sie ordnungsgemäß beaufsichtigt werden oder wenn ihnen Anweisungen zur sicheren Verwendung

DEUTSCH

- des Geräts gegeben wurden und wenn sie die damit verbundenen Risiken verstanden haben. Kinder dürfen nicht mit dem Gerät spielen. Unbeaufsichtigte Kinder dürfen das Gerät nicht reinigen und warten.
3. Bewahren Sie das Gerät und sein Kabel bitte außerhalb der Reichweite von Kindern unter 8 Jahren auf.
 4. Wenn das Netzkabel beschädigt ist, muss es vom Hersteller, dessen Wartungstechniker oder ähnlich geschultem Personal ersetzt werden, um jede Gefährdung zu vermeiden.
 5. **WARNUNG:** Wartungs- oder Reparaturarbeiten, bei denen eine Abdeckung entfernt wird, die vor der Einwirkung von Mikrowellenenergie schützt, sind für nicht sachkundige Personen gefährlich.
 6. Bei der Erwärmung von Getränken durch Mikrowellen kann kochende Flüssigkeit aufwallen.
 7. Bei der Erwärmung von Lebensmitteln in Kunststoff- oder Papierbehältern behalten Sie bitte Ihre Mikrowelle im Auge, da es zu einer Entzündung kommen könnte.
 8. Verwenden Sie nur mikrowellenfeste Küchenutensilien.
 9. Bei Rauchentwicklung schalten Sie das Gerät aus oder ziehen Sie den Netzstecker und halten Sie die Vorderklappe geschlossen, um Flammen zu ersticken.
 10. Die Mikrowellenerhitzung von Getränken kann zu zeitverzögertem plötzlichem Kochen führen, daher ist beim Umgang mit dem Trinkgefäß Vorsicht geboten.
 11. Der Inhalt von Saugflaschen und Babykostgläsern ist vor dem Verzehr umzurühren oder zu schütteln und die Temperatur zu überprüfen, damit es nicht zu Verbrennungen kommt.

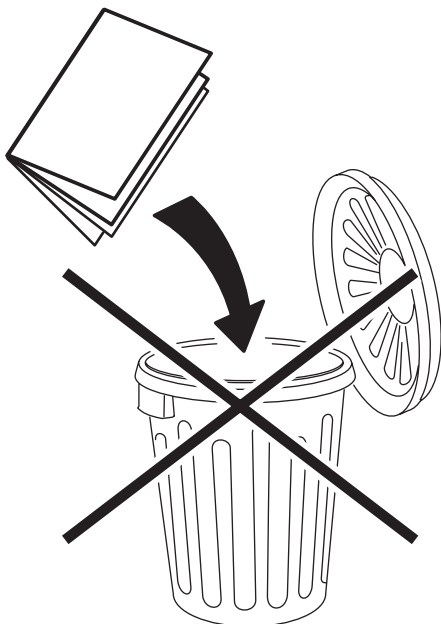
DEUTSCH

12. Rohe und hart gekochte Eier sollten nicht in der Mikrowelle erhitzt werden, da sie auch nach dem Erhitzen noch platzen können.
13. Die Mikrowelle sollte regelmäßig gereinigt und eventuell vorhandene Speisereste sollten entfernt werden.
14. Wenn der Garraum nicht in einem sauberen Zustand gehalten wird, kann seine Oberfläche Schaden nehmen. Die Lebensdauer des Geräts wird dadurch beeinträchtigt und es kann zu Gefährdungen kommen.
15. Das Gerät darf nicht hinter einer Küchenschranktür angebracht werden, da es sich dort überhitzen kann.
16. Die Mikrowelle darf nur bei geöffneter Schranktür betrieben werden.
17. Dieses Gerät ist für den Haushalt und ähnliche Anwendungen vorgesehen, wie z.B.:
 - Kantinenbereiche in Läden, Büros und anderen Arbeitsräumen;
 - für Kunden in Hotels, Motels, Frühstückspensionen und anderen Wohnumgebungen;
 - Bauernhäusern;
 - Gästezimmern.
18. Die Mikrowelle ist zum Erhitzen von Speisen und Getränken bestimmt. Das Trocknen von Lebensmitteln oder Kleidung und das Erwärmen von Heizkissen, Hausschuhen, Schwämmen, feuchten Tüchern und ähnlichem kann zu Verletzungen, Entzündungen oder Bränden führen.
19. Metallische Gefäße für Lebensmittel und Getränke sind beim Mikrowellengaren nicht zulässig.
20. Das Gerät darf nicht mit einem Dampfreiniger gereinigt werden.
21. Das Gerät ist für den freistehenden Betrieb oder den Betrieb in einem Schrank vorgesehen.
22. Das Gerät ist mit der Rückseite an eine Wand zu stellen.

DEUTSCH

23. Dieses Gerät ist nur für den Gebrauch im Haushalt und in Innenräumen bestimmt. Betreiben Sie es nicht im Freien!
24. Zum Schutz vor Stromschlägen dürfen die Hauptteile des Geräts, das Kabel und der Netzstecker nicht mit Wasser oder anderen Flüssigkeiten in Berührung kommen.
25. **WARNUNG:** Flüssigkeiten und andere Lebensmittel dürfen nicht in verschlossenen Behältern erhitzt werden, da diese zerplatzen könnten.

**GENAU BEACHTEN
UND FÜR DIE ZUKUNFT
AUFBEWAHREN.**



DEUTSCH

ERDUNG ZUR VERHINDERUNG VON PERSONENSCHÄDEN

GEFAHR

Stromschlaggefahr

Die Berührung einiger Innenteile kann gesundheitsgefährlich und sogar tödlich sein. Zerlegen Sie dieses Gerät nicht.

WARNUNG

Stromschlaggefahr

Falsche Erdung kann zu einem elektrischen Schlag führen. Schließen Sie das Gerät erst an eine Steckdose an, wenn es ordnungsgemäß aufgestellt und geerdet ist.

Dieses Gerät muss unbedingt geerdet werden. Bei einem Kurzschluss verringert die Erdung die Gefahr eines elektrischen Schlags, indem sie den Strom ableitet. Dieses Gerät ist darum mit einem Kabel mit Schutzleitung und Schutzstecker ausgestattet. Dieser muss in eine ordnungsgemäß installierte und geerdete Steckdose gesteckt werden.

Wenden Sie sich an einen qualifizierten Elektriker oder Servicetechniker, wenn die Erdungsvorschriften nicht vollständig verstanden wurden oder Zweifel an der ordnungsgemäßen Erdung des Geräts bestehen. Verwenden Sie bei Bedarf bitte nur ein 3-adriges Verlängerungskabel.

1. Nur ein kurzes Netzkabel wird mitgeliefert, damit sich niemand im verlegten Kabel verfängt oder darüber stolpert.
2. Bei Verwendung eines langen Kabelsatzes oder Verlängerungskabels:
 - a) Die angegebene Nennleistung sollte mindestens der des Gerätes entsprechen.
 - b) Als Verlängerungskabel darf nur ein 3-adriges Erdungskabel benutzt werden.
 - c) Es sollte so verlegt sein, dass es nicht über die Arbeits- oder Tischplatte fällt, wo es von Kindern herabgezogen oder zur Stolperfalle werden könnte.

REINIGUNG

Trennen Sie das Gerät vom Stromnetz.

1. Reinigen Sie den Garraum nach Gebrauch mit einem etwas angefeuchteten Tuch.
2. Reinigen Sie das Geschirr wie gewohnt in Seifenlauge.
3. Klappenrahmen und Dichtung sowie angrenzende Teile müssen bei Verschmutzung sorgfältig mit einem feuchten Tuch gereinigt werden.
4. Verwenden Sie keine scharfen Scheuermittel oder scharfkantigen Metallabstreifer zur Reinigung des Sichtfensterglases, da eine zerkratzte Oberfläche zu Glasbruch führen kann.
5. *Reinigungstip* ★ Zur leichteren Reinigung der Garraumwände, falls sie mit Gargut befleckt sind: Eine halbe Zitrone in eine Schüssel legen, 300 ml Wasser hinzufügen und 10 Minuten lang bei 100 % Mikrowellenleistung erhitzen. Den Garraum anschließend mit einem weichen, trockenen Tuch auswischen.

DEUTSCH

KÜCHENUTENSILIEN

VORSICHT

Personengefährdung

Wartungs- oder Reparaturarbeiten, bei denen eine Abdeckung entfernt wird, die vor der Einwirkung von Mikrowellenenergie schützt, sind für nicht sachkundige Personen gefährlich.

Siehe die Anweisungen unter „**MATERIAL, DAS SIE IN MIKROWELLENGERÄTEN VERWENDEN KÖNNEN BZW. VERMEIDEN SOLLTEN**“.

Manche nichtmetallischen Küchenutensilien sind nicht mikrowellenfest. Im Zweifelsfall können Sie sie wie nachstehend beschrieben auf Mikrowellenfestigkeit testen.

Eignungstest für Küchenutensilien:

1. Ein mikrowellenfestes Gefäß mit 1 Tasse kaltem Wasser (250 ml) füllen und mit dem gewünschten Küchenutensil in die Mikrowelle geben.
2. Bei maximaler Leistung 1 Minute erhitzen.
3. Das Küchenutensil vorsichtig betasten. Falls es heiß geworden ist, verwenden Sie es nicht zum Kochen in der Mikrowelle.
4. Nicht länger als 1 Minute erhitzen.

DEUTSCH

MATERIAL, DAS SIE IN MIKROWELLENGERÄTEN VERWENDEN KÖNNEN

Küchenutensilien	Anmerkungen
Bräunungsschale	Folgen Sie den Anweisungen des Herstellers. Der Boden der Bräunungsschale muss sich mindestens 5 mm über dem Drehteller befinden. Bei unsachgemäßem Gebrauch kann der Drehteller brechen.
Essgeschirr	Nur mikrowellenfest. Folgen Sie den Anweisungen des Herstellers. Verwenden Sie keine gesprungenen oder angebrochenen Küchenutensilien.
Glasgefäße	Immer den Deckel abnehmen. Nur zum Erwärmen von Speisen verwenden. Die meisten Gläser sind nicht hitzebeständig und können brechen.
Glasgeschirr	Nur hitzebeständiges Glasgeschirr. Es dürfen sich keine metallischen Zierränder darauf befinden. Verwenden Sie keine gesprungenen oder angebrochenen Küchenutensilien.
Kochbeutel	Folgen Sie den Anweisungen des Herstellers. Nicht mit Metallband verschließen. Schlitz schneiden, damit Dampf entweichen kann.
Pappteller und -becher	Nur zum kurzzeitigen Kochen/Erwärmen verwenden. Die Mikrowelle beim Garen nicht unbeaufsichtigt lassen.
Papierhandtücher	Zum Abdecken von Lebensmitteln beim Aufwärmen und zum Aufnehmen von Fett. Nur für kurzzeitiges Garen unter Aufsicht verwenden.
Pergamentpapier	Zum Schutz vor Spritzern oder zum Dämpfen verwenden.
Kunststoff	Nur mikrowellenfest. Anweisungen des Herstellers befolgen. Sollte als „mikrowellenfest“ gekennzeichnet sein. Manche Plastikbehälter weichen auf, wenn die enthaltenen Lebensmittel sich aufheizen. Kochbeutel und dicht verschlossene Plastiktüten sollten je nach Packstück geschlitzt, durchstochen oder belüftet werden.
Plastikfolie	Nur mikrowellenfest. Zum Abdecken von Speisen beim Garen, um Feuchtigkeit zurückzuhalten. Plastikfolie nicht mit Lebensmitteln in Berührung kommen lassen.
Thermometer	Nur mikrowellene geeignet (Fleisch- und Zuckerthermometer).
Wachspapier	Als Abdeckung, um Spritzer zu vermeiden und Feuchtigkeit zurückzuhalten.

MATERIAL, DAS SIE IN MIKROWELLENGERÄTEN VERMEIDEN SOLLTEN

Küchenutensilien	Anmerkungen
Aluminiumschale	Kann Funkenbildung verursachen. Lebensmittel in mikrowellene geeignete Schale geben.
Lebensmittelkarton mit Metallgriff	Kann Funkenbildung verursachen. Lebensmittel in mikrowellene geeignete Schale geben.
Metallische oder metallverzierte Kochutensilien	Metall schirmt die Lebensmittel vor Mikrowellenstrahlung ab. Metallverzierungen können Funkenbildung verursachen.
Metalldrahtbinder	Können Funkenbildung und Brand im Garraum verursachen.
Papierbeutel	Können Brand im Garraum verursachen.
Kunststoffschaum	Schaumstoff kann bei hohen Temperaturen schmelzen oder die Flüssigkeit im Behälter verunreinigen.
Holz	Trocknet im Mikrowellengerät aus und kann splintern oder reißen.

2. PRODUKTBESCHREIBUNG

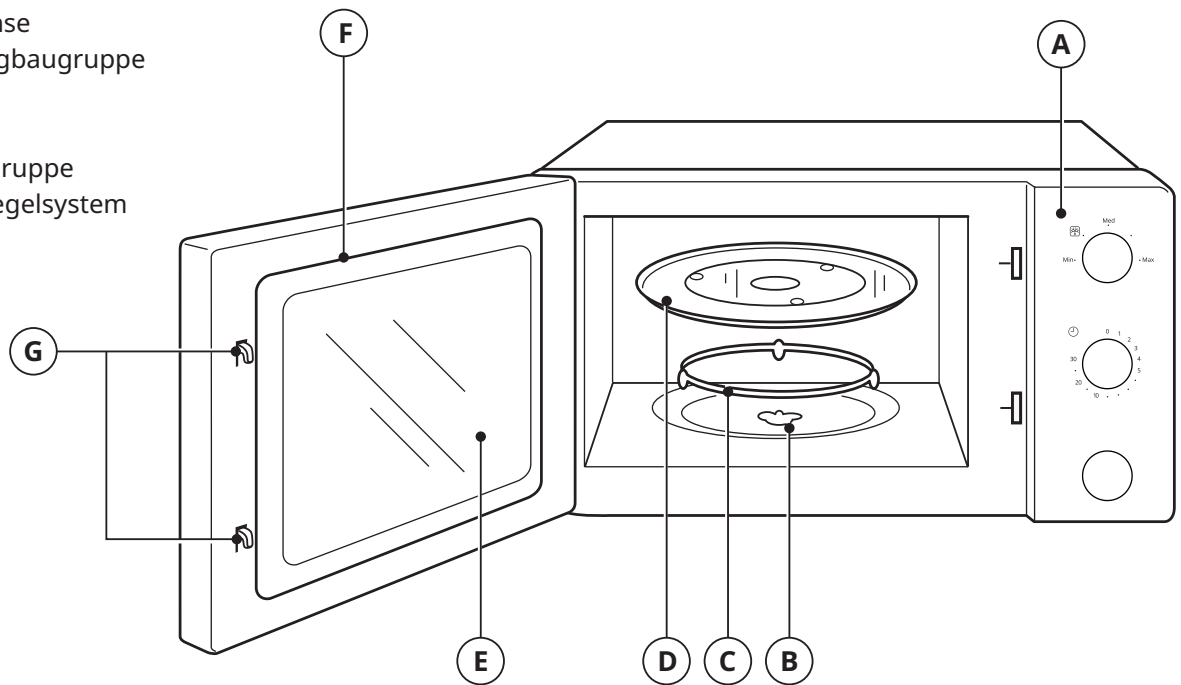
AUFSTELLEN DER MIKROWELLE

Bezeichnung der Bauteile und des Zubehörs

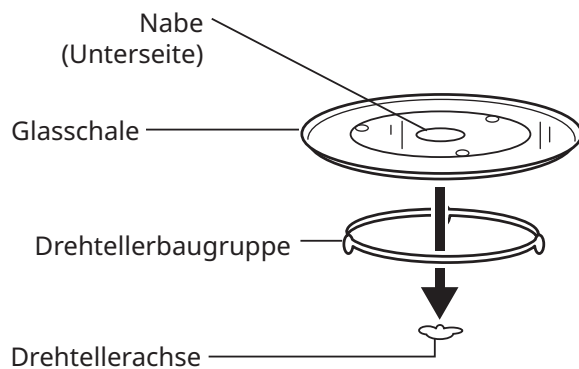
Nehmen Sie den Herd und alle Materialien aus dem Karton. Entfernen Sie auch alle Materialien vom Herdinnenraum. Ihrem Herd liegt das folgende Zubehör bei:

Glasschale	1x
Drehtellerringbaugruppe	1x
Bedienungsanleitung	1x

- A. Bedienfeld
- B. Drehtellerachse
- C. Drehtellerringbaugruppe
- D. Glasschale
- E. Sichtfenster
- F. Klappenbaugruppe
- G. Sicherheitsriegelsystem



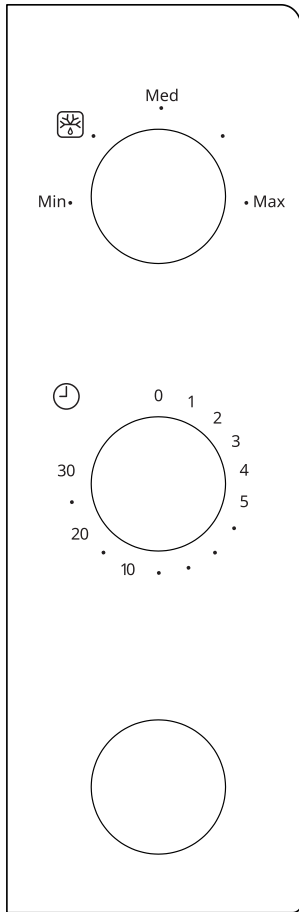
Drehtelleranbringung




- a) Legen Sie den Glasdrehteller niemals auf den Kopf. Der Glasdrehteller darf nicht in seiner Drehung behindert werden.
- b) Beim Garen sind stets sowohl der Glasdrehteller als auch der Unterlegring zu verwenden.
- c) Alle Speisen und Behälter werden zum Garen auf den Glasdrehteller gestellt.
- d) Bei Rissen oder Brüchen im Glasdrehteller oder im Unterlegring wenden Sie sich bitte an einen Kundendienst in Ihrer Nähe.

3. BEDIENFELD

Anweisungen zum Bedienfeld und zur Funktionsbedienung



1. Einstellung der Kochleistung durch Drehen des Leistungsreglers auf die gewünschte Stufe.
2. Einstellung der Garzeit durch Drehen des Zeitschaltreglers auf die gewünschte Zeit gemäß Ihrer Anleitung zum Garvorgang von Speisen.
3. Die Mikrowelle beginnt automatisch mit dem Garen, sobald die Leistung und die Zeit eingestellt sind.
4. Nach Ablauf der Garzeit beendet das Gerät den Vorgang mit einem Klingelton.
5. Wird das Gerät nicht benutzt, stellen Sie die Zeit immer auf „0“ ein.

Funktion/Leistung	Watt	Anwendung
Min	115 W	Eiscreme aufweichen
	230 W	Suppeneintopf, Butter aufweichen oder auftauen
Med	390 W	Eintopf, Fisch
.	540 W	Reis, Fisch, Huhn, Hackfleisch
Max	700 W	Aufwärmen, Milch, Wasserkochen, Gemüse, Getränke

Hinweis:

Vor dem Herausnehmen von Lebensmitteln aus dem Herd muss dieser durch Drehen des Zeitschaltreglers auf „0“ ausgeschaltet werden.

Andernfalls kann der Leerlauf des Mikrowellenherds zu Überhitzung und Beschädigung des Magnetrons führen.

4. PROBLEMLÖSUNGEN

Normal	
Mikrowellengerät stört Rundfunkempfang	Rundfunkempfang kann beim Betrieb des Mikrowellengeräts gestört werden. Das entspricht Störungen durch kleine Elektrogeräte wie Mixer, Staubsauger und Ventilatoren. und ist unvermeidbar.
Schwache Innenbeleuchtung	Beim Garen in der Mikrowelle mit niedriger Leistung kann die Innenbeleuchtung schwach werden. und ist unvermeidbar.
Dampf sammelt sich an der Klappe, Heißluft kommt aus den Lüftungsschlitzen.	Beim Garen kann Dampf aus den Speisen aufsteigen. Zum größten Teil entweicht er durch die Lüftungsschlitze, aber teilweise kann er sich an einem kühlen Ort wie der Mikrowellenklappe ansammeln. und ist unvermeidbar.
Das Gerät wurde versehentlich ohne enthaltene Lebensmittel gestartet.	<i>Es ist untersagt, das Gerät ohne enthaltene Lebensmittel zu betreiben. Dies kann erhebliche Gefährdungen auslösen.</i>

Störungen	Mögliche Ursache	Abhilfe
Gerät kann nicht gestartet werden.	(1) Netzkabel nicht richtig angeschlossen.	Ziehen Sie den Stecker heraus. Stecken Sie nach 10 Sekunden den Stecker wieder ein.
	(2) Sicherung ausgelöst oder Schutzschalter hat angesprochen.	Sicherung ersetzen bzw. Schutzschalter zurücksetzen (Reparatur durch unser Fachpersonal)
	(3) Fehler an der Steckdose.	Schließen Sie probeweise andere elektrische Geräte an die Steckdose an.
Herd erwärmt die Speisen nicht	(4) Türe nicht richtig geschlossen.	Klappe gut schließen.

5. TECHNISCHE DATEN

Modell:	TILLREDA 504.867.92
Nennspannung:	220-230 V ~ 50 Hz
Nenneingangsleistung (Mikrowelle):	1050 W
Nennausgangsleistung (Mikrowelle):	700 W
Garraumkapazität:	20 l
Durchmesser des Drehtellers:	255 mm
Äußere Abmessungen:	439,5 x 340,0 x 258,2 mm
Eigengewicht:	10,39 kg

6. MONTAGE UND ANSCHLUSS

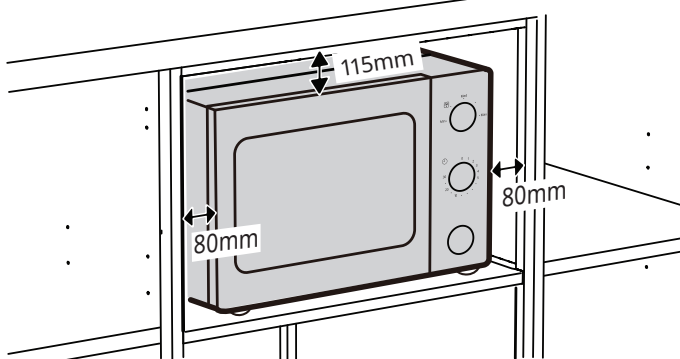
Montage auf der Arbeitsfläche

Entfernen Sie sämtliches Verpackungsmaterial und Zubehör. Überprüfen Sie den Herd auf Beschädigungen wie Beulen oder Defekts in der Türe. Stellen Sie den Herd nicht auf, wenn er beschädigt ist.

Schrank: Nehmen Sie den Schutzfilm auf der Oberfläche des Mikrowellenschrank ab. Entfernen Sie nicht die weiße Kunststoffabdeckung, die zum Schutz des Magnetrons am Garraum angebracht ist.

Installation

1. Wählen Sie eine ebene Oberfläche, die genügend Platz für die Einlass- und/oder Auslassöffnungen bietet.



- (1) Die Geräterückseite ist gegen eine Wand zu richten. Lassen Sie einen Mindestabstand von 11.5 cm über dem Herd, zu

angrenzenden Wänden ist ein Mindestabstand von 8 cm erforderlich.

- (2) Nehmen Sie die Beine nicht vom Herdboden ab.
 - (3) Das Blockieren der Einlass- und/oder Auslassöffnungen kann den Herd beschädigen.
 - (4) Stellen Sie den Herd so weit wie möglich von Funkempfängern aller Art entfernt auf. Der Betrieb des Mikrowellenherdes kann den Radio- oder Fernsehempfang stören.
2. Schließen Sie Ihren Herd an eine gewöhnliche Steckdose an. Spannung und Netzfrequenz müssen den Angaben auf dem Typenschild entsprechen.

WARNUNG: Montieren Sie den Herd nicht über einem Kochfeld oder einem anderen wärmeerzeugenden Gerät. Falls der Herd einer Wärmequelle zu nahe kommt, können Schäden auftreten und die Garantie verfällt.



Die zugängliche Oberfläche kann während des Betriebs heiß werden.

7. HINWEISE ZUM UMWELTSCHUTZ



Gemäß der Richtlinie über Elektro- und Elektronik-Altgeräte (WEEE) sollten diese getrennt gesammelt und behandelt werden. Wenn Sie dieses Gerät irgendwann entsorgen müssen, dann bitte NICHT in den Hausmüll. Bitte senden Sie dieses Produkt an die Sammelstellen für Elektro- und Elektronik-Altgeräte, sofern vorhanden.

8. IKEA GARANTIE

Wie lange ist die IKEA Garantie gültig?

Diese Gewährleistung ist 2 Jahre ab Datum des Erstkaufs Ihres Geräts bei IKEA gültig, es sei denn, dass in nationalem Recht etwas anderes angegeben ist. Bitte besuchen Sie IKEA.com, um zu erfahren, welche Regelungen in Ihrem Land Gültigkeit haben. Als Kaufnachweis ist das Original des Einkaufsbelegs erforderlich. Werden im Rahmen der Garantie Arbeiten ausgeführt, verlängert sich dadurch nicht die Garantiezeit für das Gerät.

Wer übernimmt den Service?

Kontaktieren Sie das nächstgelegene IKEA-Einrichtungshaus.

Was deckt diese Garantie ab?

Die Garantie deckt Gerätefehler, die aufgrund einer fehlerhaften Konstruktion oder aufgrund von Materialfehlern nach dem Datum des Einkaufs bei IKEA entstanden sind. Die Garantie gilt nur für den Hausgebrauch des entsprechenden Gerätes. Ausnahmen sind unter der Überschrift „Was deckt die Garantie nicht ab?“ erläutert. Innerhalb der Garantiezeit werden die Kosten für Reparatur, Ersatzteile, Arbeits- und Reisekosten übernommen, vorausgesetzt, das Gerät ist ohne besonderen Aufwand für eine Reparatur zugänglich. Ersetzte Teile gehen in das Eigentum von IKEA über.

Was unternimmt IKEA, um das Problem zu beheben?

Der IKEA Kundendienst begutachtet das Produkt und entscheidet nach eigenem Ermessen, ob ein Garantieanspruch besteht. Wenn die Garantie geltend gemacht werden kann, wird IKEA, nach

eigenem Ermessen, das schadhafte Produkt entweder reparieren oder durch ein gleiches oder vergleichbares Produkt ersetzen.

Was deckt diese Garantie nicht ab?

- Normale Abnutzung und Beschädigung.
- Vorsätzliche oder fahrlässig herbeigeführte Schäden, Beschädigungen infolge Missachtung der Bedienungsanleitung, unsachgemäße Installation, falschen Spannungsanschlusses, Beschädigung durch chemische oder elektrochemische Reaktionen, Rost, Korrosion oder Wasserschäden, einschließlich, aber nicht beschränkt auf, Schäden durch ungewöhnlich hohen Kalkgehalt im Wasser, Beschädigungen durch außergewöhnliche Umweltbedingungen.
- Verbrauchs- und Verschleißteile wie Batterien und Glühlampen.
- Nichtfunktionelle und dekorative Teile, die den normalen Gebrauch des Gerätes nicht beeinflussen, sowie Kratzer und mögliche Farbabweichungen.
- Zufallsschäden durch Fremdkörper, Substanzen oder Reinigungsarbeiten an Filtern, Abflüssen oder Wasch-/Spülmittelfächern.
- Schäden an folgenden Teilen: Glaskeramik, Zubehör, Geschirr- und Besteckkörbe, Zu- und Ablaufschläuche, Dichtungen, Glühlampen und deren Abdeckungen, Siebe, Knöpfe, Gehäuse und Gehäuseteile. Soweit nicht nachgewiesen wird, dass solche Schäden auf Herstellungsmängel zurückzuführen sind.
- Reparaturen, die nicht von unserem eigenen Kundendienst oder einem autorisierten Servicevertragspartner ausgeführt wurden oder bei denen keine Originalteile verwendet wurden.
- Durch fehlerhafte oder unvorschriftsmäßige Installation erforderliche Reparaturen.
- Die Verwendung des Gerätes in einer nicht-häuslichen Umgebung, d. h. die gewerbliche Nutzung des Gerätes.
- Transportschäden. Wenn der Kunde das Produkt selber nach Hause oder zu einer anderen Adresse transportiert, ist IKEA von der Haftung für Transportschäden jeder Art freigestellt. Liefert IKEA das Produkt direkt an die Lieferanschrift des Kunden, werden während dieser Lieferung eventuell aufgetretene Schäden durch IKEA abgedeckt.
- Kosten für die Durchführung der Erstinstallation des IKEA-Gerätes. Wenn jedoch der IKEA-Kundendienst oder ein Servicevertragspartner im Rahmen der Garantie Reparaturen ausführt oder das Gerät ersetzt, installiert der Kundendienst oder der Servicevertragspartner das verbesserte Gerät erneut oder das Ersatzgerät, falls dies erforderlich sein sollte.

DEUTSCH

Gültigkeit der länderspezifischen Bestimmungen

IKEA räumt Ihnen eine spezielle Garantie ein, die die gesetzlichen Gewährleistungsrechte, die von Land zu Land unterschiedlich sein können, mindestens abdeckt oder eventuell übererfüllt. Allerdings schränken diese Bedingungen in keiner Weise die landesweit geltenden Verbraucherrechte ein.

Gültigkeitsbereich

Für Geräte, die in einem EU-Land gekauft und in ein anderes Land mitgenommen werden, wird der Kundendienst gemäß der Garantierichtlinien im neuen Land übernommen. Eine Verpflichtung zur Durchführung von Leistungen im Rahmen der Garantie besteht nur dann, wenn das Gerät in Übereinstimmung mit und gemäß den folgenden Bedingungen installiert wurde:

- den technischen Spezifikationen des Landes, in dem der Garantieanspruch erfolgt;
- den Montageanweisungen und Informationen im Benutzerhandbuch.

KUNDENDIENST für IKEA-Geräte

Bitte zögern Sie nicht, IKEA zu kontaktieren:

- Wenn Sie einen Kundendienst im Rahmen der Garantie benötigen;
- Bei Fragen zu den Funktionen eines IKEA-Gerätes.

Um Ihnen möglichst schnell und kompetent weiterhelfen zu können, bitten wir Sie, vorher die Montage- und Gebrauchsanweisung Ihres Gerätes genauestens durchzulesen.

So erreichen Sie unseren Service



Das IKEA Kundendienst-Servicezentrum wird Ihnen am Telefon bei der grundlegenden Fehlersuche und -behebung für Ihr Gerät behilflich sein. Um die Telefonnummer des nächstgelegenen Einrichtungshauses und dessen Öffnungszeiten zu finden, schauen Sie bitte in den IKEA-Katalog oder besuchen Sie www.ikea.com.

Damit wir Ihnen schneller helfen können, geben Sie bitte immer die IKEA-

Artikelnummer (8-stelliger Code) an, die sich auf dem Typenschild Ihres Gerätes befindet.

BEWAHREN SIE DEN KAUFBELEG AUF!

Dieser dient als Kaufnachweis und ist für Garantiefälle erforderlich. Der Kaufbeleg zeigt ebenfalls den IKEA-Namen und die Artikelnummer (8-stelliger Code) für jedes von Ihnen erworbene Gerät an.

Benötigen Sie weiteren Rat und Unterstützung?

Bei allen anderen, nicht kundenspezifischen Fragen bitten wir Sie, sich an den Kundenservice im nächstgelegenen IKEA-Einrichtungshaus zu wenden. Wir empfehlen Ihnen, vorher die dem Gerät beigefügten Unterlagen genauestens durchzulesen.

1. CONSIGNES DE SÉCURITÉ	33
2. DESCRIPTION DE L'APPAREIL	40
3. BANDEAU DE COMMANDE	41
4. RÉOLUTION DES PROBLÈMES	42
5. CARACTÉRISTIQUES	42
6. INSTALLATION ET RACCORDEMENT	43
7. PROTECTION DE L'ENVIRONNEMENT	44
8. GARANTIE IKEA	44

FRANÇAIS

Lisez attentivement ces instructions avant d'utiliser votre four à micro-ondes, et conservez-les avec soin.

Si vous suivez les instructions, votre four vous rendra service pendant de nombreuses années.

**CONSERVEZ
SOIGNEUSEMENT CES
INSTRUCTIONS**

1. CONSIGNES DE SÉCURITÉ



PRÉCAUTIONS À OBSERVER POUR ÉVITER UNE ÉVENTUELLE EXPOSITION EXCESSIVE AUX MICRO-ONDES

- a) N'essayez pas de mettre en marche cet appareil lorsque la porte est ouverte, car cela vous exposerait aux effets nocifs des micro-ondes. Il est important de ne pas mettre en échec ou de modifier le système de verrouillage de sécurité.
- b) Ne placez aucun objet entre la face avant du four et la porte et ne laissez pas la saleté ou les résidus de produit nettoyant s'accumuler sur les surfaces d'étanchéité.
- c) **AVERTISSEMENT** : Si la porte ou le joint de porte est endommagé, n'utilisez pas l'appareil tant qu'il n'a pas été réparé par une personne qualifiée.

ADDENDA

Si l'appareil n'est pas maintenu dans un bon état de propreté, sa surface risque de se dégrader, ce qui peut affecter la durée de vie de l'appareil et conduire à une situation dangereuse.

IMPORTANTES CONSIGNES DE SÉCURITÉ

Pour réduire les risques d'incendie, de décharge électrique, de blessure ou d'une exposition excessive aux micro-ondes lors de l'utilisation de votre appareil, suivez les précautions de base, notamment les suivantes :

1. Lisez et respectez les mesures énoncées dans la section : « **PRÉCAUTIONS À OBSERVER POUR ÉVITER UNE ÉVENTUELLE EXPOSITION EXCESSIVE AUX MICRO-ONDES** ».
2. Cet appareil peut être utilisé par des enfants de 8 ans ou plus et par des personnes dont les capacités physiques, sensorielles ou mentales sont réduites ou qui manquent d'expérience ou de connaissances, si ceux-ci sont correctement surveillés ou s'ils ont reçu des instructions relatives à l'utilisation sûre de l'appareil et ont bien compris les risques encourus. Les enfants ne doivent pas jouer avec l'appareil. Le nettoyage et l'entretien par l'utilisateur ne doivent pas être effectués par des enfants sans surveillance.

FRANÇAIS

3. Gardez l'appareil et son cordon d'alimentation hors de la portée des enfants de moins de 8 ans.
4. Si le cordon d'alimentation est endommagé, celui-ci doit être remplacé par le fabricant, son agent de réparation ou une personne qualifiée afin d'éviter tout risque.
5. **AVERTISSEMENT** : Il est dangereux pour une personne non compétente d'effectuer des réparations impliquant le retrait d'un couvercle qui protège contre l'exposition aux micro-ondes.
6. Le chauffage de boissons dans un four à micro-ondes peut provoquer une explosion soudaine et différée du liquide bouillant.
7. Lorsque vous chauffez les aliments dans des récipients en plastique ou en papier, vérifiez en permanence le four en raison de la possibilité d'inflammation.
8. Utilisez uniquement les ustensiles convenables à la cuisson au four à micro-ondes.
9. Si vous observez de la fumée, mettez l'appareil hors tension ou débranchez-le et gardez la porte fermée pour étouffer les flammes.
10. Le chauffage des soupes au micro-ondes peut entraîner des éclaboussures lorsqu'elles sont portées à ébullition, soyez donc prudent lorsque vous manipulez les récipients.
11. Le contenu des biberons et des pots d'aliments pour bébés doit être remué ou agité et la température vérifiée avant d'être consommés, afin d'éviter les brûlures.
12. Les œufs dans les coquilles et les œufs durs entiers ne doivent pas être réchauffés dans le four à micro-ondes, car ils peuvent exploser, même après la fin du réchauffage.
13. Nettoyez régulièrement le four et retirez tous les dépôts d'aliments.

FRANÇAIS

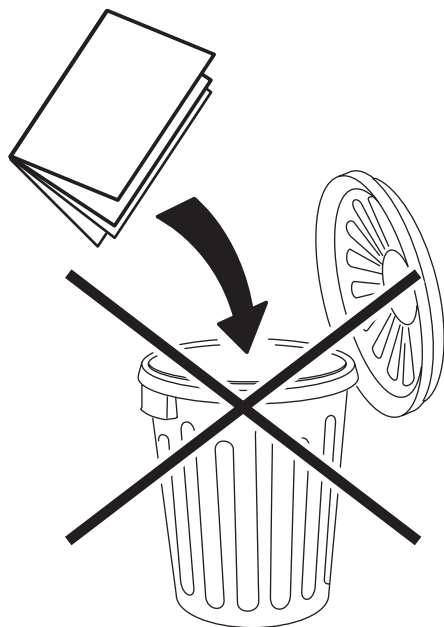
14. Dans le cas contraire, cela pourrait causer la détérioration de la surface, affectant la durée de vie de l'appareil et vous exposant à des risques.
15. Afin d'éviter tout risque de surchauffe, cet appareil ne doit pas être installé derrière une porte décorative.
16. Le cas échéant, la porte de l'armoire doit être ouverte lorsque le four à micro-ondes fonctionne.
17. Cet appareil est conçu pour une utilisation domestique ou autre utilisation similaire telle que :
 - les cuisines du personnel dans les magasins, les bureaux et autres environnements de travail ;
 - par des clients dans un hôtel, un motel, ou dans d'autres environnements de type résidentiel.
 - les maisons de campagne ;
 - les chambres d'hôtes.
18. Le four à micro-onde a été conçu pour réchauffer les aliments et les soupes. Évitez de sécher des aliments ou des vêtements et de réchauffer des coussins chauffants, des chaussons, des éponges, des chiffons humides et autres au four, car cela vous expose à des risques de blessure, d'inflammation ou d'incendie.
19. Évitez la cuisson des aliments et des soupes aux micro-ondes dans des contenants métalliques.
20. N'utilisez pas de nettoyeur à vapeur pour le nettoyage de l'appareil.
21. L'appareil est destiné à être utilisé de manière non encastrée ou dans une armoire.
22. La surface arrière de l'appareil doit être placée contre un mur.
23. Cet appareil est destiné à un usage domestique et en intérieur uniquement. Ne l'utilisez pas à l'extérieur !

FRANÇAIS

24. Pour vous protéger contre les décharges électriques, n'immergez pas les pièces principales du produit, le cordon ou la prise dans de l'eau ou tout autre liquide.

25. **AVERTISSEMENT** : Évitez de chauffer les liquides et autres aliments dans des récipients fermés, car cela présente des risques d'explosion.

**LISEZ ATTENTIVEMENT
CE MANUEL ET
CONSERVEZ-LE POUR
UNE CONSULTATION
ULTÉRIEURE.**



FRANÇAIS

POUR RÉDUIRE LE RISQUE DE BLESSURE AUX PERSONNES MISE À LA TERRE DE L'INSTALLATION

DANGER

Risques de décharge électrique

Toucher certains des composants internes peut causer des blessures graves, voir mortelles. Ne démontez pas cet appareil.

AVERTISSEMENT

Risques de décharge électrique

Une mauvaise utilisation de la fiche de terre peut entraîner un choc électrique. Ne branchez pas l'appareil sur une prise électrique tant qu'il n'est pas correctement installé et mis à la terre.

Cet appareil doit être mis à la terre. En cas de court-circuit, le conducteur de mise à la terre permet au courant électrique de s'échapper, ce qui réduit le risque de décharge électrique. Cet appareil est doté d'un cordon d'alimentation comportant un fil et une fiche de mise à la terre. La fiche doit être branchée sur une prise électrique correctement installée et mise à la terre.

Si vous ne comprenez pas toutes les instructions de mise à la terre ou si vous êtes incertain de la qualité de la mise à la terre de l'appareil, consultez un électricien qualifié ou un technicien du service après-vente. Si vous devez utiliser une rallonge électrique, utilisez uniquement une rallonge électrique de type 2 pôles + terre.

1. Un cordon d'alimentation court est fourni pour réduire les risques d'emmêlement ou de trébuchement avec un cordon long.
2. Si vous utilisez un long cordon d'alimentation ou une rallonge électrique :
 - a) La puissance électrique indiquée du cordon d'alimentation ou de la rallonge électrique doit être au moins égale à celle de l'appareil.
 - b) La rallonge électrique doit être de type 2 pôles + terre.
 - c) La rallonge électrique doit être installée de manière à ne pas passer par dessus le comptoir ou la table, car un enfant pourrait la tirer ou trébucher dessus accidentellement.

NETTOYAGE

Assurez-vous de débrancher le câble d'alimentation de l'appareil de la prise murale.

1. Nettoyez l'intérieur du four à micro-ondes après utilisation, à l'aide d'un chiffon légèrement mouillé.
2. Nettoyez les accessoires de la manière habituelle dans de l'eau savonneuse.
3. Le cadre de la porte, ses joints et les parties voisines doivent être nettoyés soigneusement lorsqu'ils sont sales à l'aide d'un chiffon mouillé.
4. N'utilisez pas de produit de nettoyage abrasif ou d'objet acéré sur la vitre de la porte, car ils peuvent gratter la surface et par conséquent endommager la vitre.
5. *Astuces de nettoyage* ★ Pour un nettoyage plus facile des parois intérieures qui peuvent être touchées par les aliments lors de la cuisson : Placez un demi-citron dans un bol, ajoutez 300 ml d'eau et faites chauffer à 100 % au micro-ondes pendant 10 minutes. Essayez le four à l'aide d'un chiffon doux et sec.

FRANÇAIS

USTENSILES

ATTENTION

Risques de blessure

Il est dangereux pour une personne non compétente d'effectuer des réparations impliquant le retrait d'un couvercle qui protège contre l'exposition aux micro-ondes.

Reportez-vous aux instructions énoncées à la section « **USTENSILES DE CUISINE CONVENANT OU NON À LA CUISSON AU MICRO-ONDES** ».

Il existe des ustensiles non métalliques qui ne conviennent pas à la cuisson au micro-ondes. Si vous avez des doutes, vous pouvez tester l'ustensile en question suivant la procédure ci-dessous.

Test d'ustensile :

1. Remplissez un contenant recommandé pour utilisation au micro-ondes de 1 tasse d'eau froide (250 ml) et mettez-le au four avec l'ustensile en question.
2. Faites cuire à la puissance maximale pendant 1 minute.
3. Touchez délicatement l'ustensile. S'il est chaud, alors ne l'utilisez pas pour la cuisson au micro-ondes.
4. Ne dépassez pas 1 minute de cuisson.

FRANÇAIS

MATÉRIEL CONVENANT À LA CUISSON AU MICRO-ONDES

Ustensiles	Remarques
Plat brunisseur	Suivez les instructions du fabricant. Le fond du plat brunisseur doit être au moins à 5 mm (3/16 pouces) au-dessus du plateau tournant. Si vous utilisez mal le plateau tournant, vous pouvez le casser.
Vaisselle	Uniquement celle qui convient à la cuisson au micro-ondes. Suivez les instructions du fabricant. N'utilisez pas des plats fissurés ou ébréchés.
Bocaux en verre	Retirez toujours le couvercle. Utilisez-les uniquement pour réchauffer les aliments. La plupart des bocaux en verre ne résistent pas à la chaleur et peuvent se briser.
Verrerie	Utilisez uniquement de la verrerie résistante à la chaleur. Rassurez-vous qu'il n'y a pas de bordure métallique. N'utilisez pas des plats fissurés ou ébréchés.
Sacs de cuisson au four à micro-ondes	Suivez les instructions du fabricant. Ne les fermez pas à l'aide d'objets métalliques. Laissez des fentes pour permettre à la vapeur de s'échapper.
Assiettes et gobelets en papier	Utilisez-les pour cuire ou pour réchauffer les aliments pendant une courte durée uniquement. Ne laissez pas le four sans surveillance pendant la cuisson.
Serviettes en papier	Utilisez-les comme couvercle pour les aliments à réchauffer ou pour absorber de la graisse. Utilisez-les pour les cuissons à court terme uniquement et en surveillant de temps en temps.
Papier sulfurisé ou papier parchemin	Utilisez-le comme couvercle pour éviter les éclaboussures ou comme enveloppe pour les cuissons à vapeur.
Plastique	Uniquement celle qui convient à la cuisson au micro-ondes. Suivez les instructions du fabricant. Doit porter la mention « adapté au micro-ondes ». Certains récipients en plastique se ramollissent lorsque les aliments qu'ils contiennent chauffent. « Les sachets de cuisson » et les plastiques hermétiquement fermés doivent être incisés, percés ou aérés comme indiqué sur le paquet.
Film alimentaire	Uniquement celle qui convient à la cuisson au micro-ondes. Utilisez-les pour emballer les aliments pendant la cuisson afin de retenir l'humidité. Évitez que le film alimentaire soit en contact direct avec les aliments.
Thermomètres	Compatibles micro-ondes uniquement (thermomètres à viande et thermomètres confiseurs).
Papier ciré	Utilisez-le comme couvercle pour éviter les éclaboussures et pour retenir l'humidité.

MATÉRIEL À ÉVITER POUR LA CUISSON AU MICRO-ONDES

Ustensiles	Remarques
Plateau en aluminium	Peut causer des arcs électriques. Transférez les aliments dans un récipient convenant à la cuisson au micro-ondes.
Emballage alimentaire en carton avec manche en métal	Peut causer des arcs électriques. Transférez les aliments dans un récipient convenant à la cuisson au micro-ondes.
Ustensiles en métal ou à garniture métallique.	Le métal protège les aliments contre l'exposition aux micro-ondes. La garniture métallique peut causer des arcs électriques.
Attaches métalliques	Peut causer des arcs électriques ou un incendie dans le four.
Sacs en papier	Peut causer un incendie dans le four.
Mousse plastique	La mousse plastique peut fondre ou contaminer le liquide à l'intérieur lorsqu'elle est exposée à une température élevée.
Bois	Le bois sèche lorsqu'il est utilisé au four à micro-ondes et peut se fissurer.

2. DESCRIPTION DE L'APPAREIL

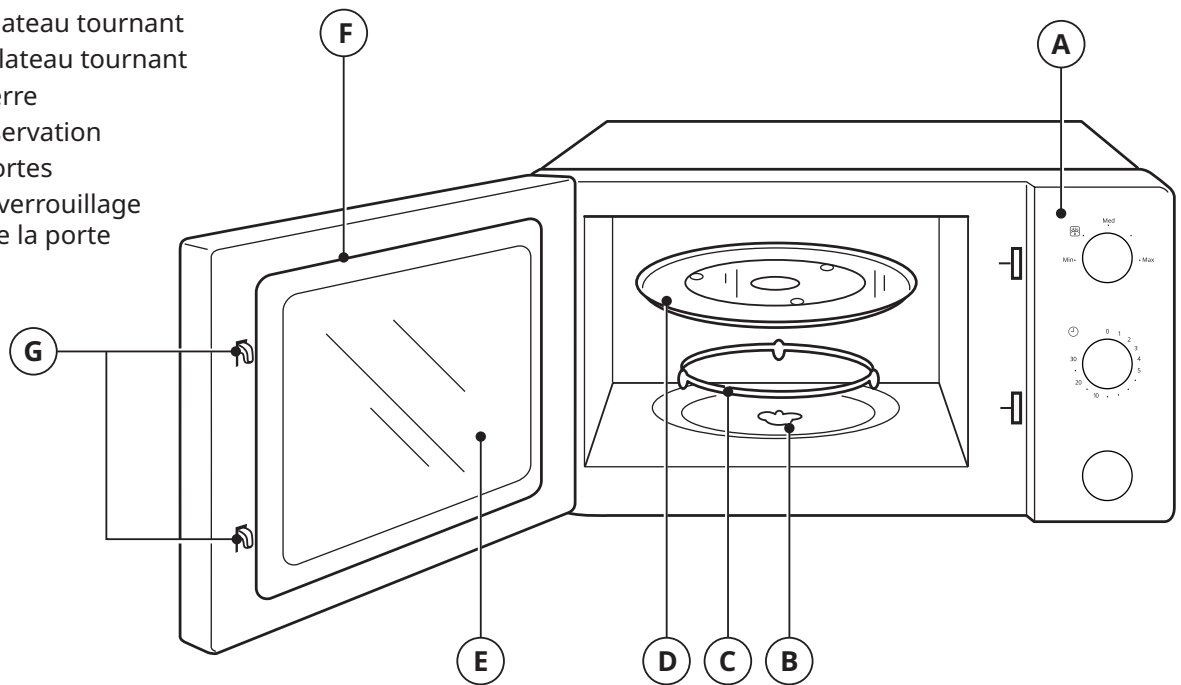
INSTALLATION DU FOUR À MICRO-ONDES

NOM DES PIÈCES ET DES ACCESSOIRES DU FOUR À MICRO-ONDES

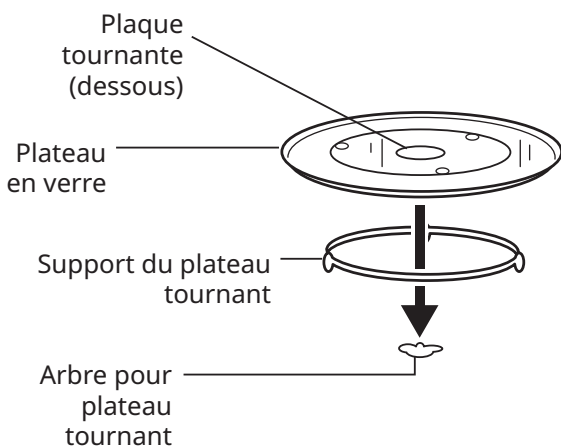
Retirez le four et tous les matériaux du carton et de la cavité du four. Votre four est livré avec les accessoires suivants :

Plateau en verre	1x
Support du plateau tournant	1x
Manuel de l'utilisateur	1x

- A. Bandeau de commande
- B. Arbre pour plateau tournant
- C. Support du plateau tournant
- D. Plateau en verre
- E. Fenêtre d'observation
- F. Groupe de portes
- G. Dispositif de verrouillage de sécurité de la porte



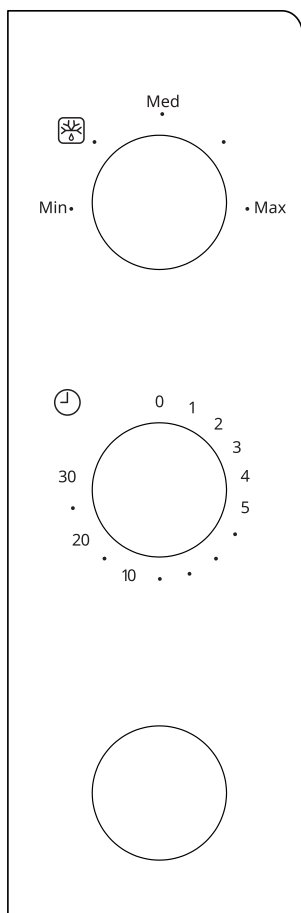
Installation du plateau tournant




- a) Ne placez jamais le plateau en verre à l'envers. Le plateau en verre ne doit en aucun cas être bloqué.
- b) Utilisez toujours le plateau en verre et le support du plateau tournant pendant la cuisson.
- c) Placez toujours tous les aliments et les récipients sur le plateau en verre pour la cuisson.
- d) En cas de fissure ou de cassure du plateau en verre ou du support du plateau tournant, contactez le centre de service agréé le plus proche.

3. BANDEAU DE COMMANDE

Bandeau de commande et fonctions - Instructions d'utilisation



1. Permet de régler la puissance de cuisson en tournant le bouton de puissance sur le niveau souhaité.
2. Permet de régler le temps de cuisson en tournant le bouton de minuterie sur le temps souhaité selon le guide de cuisson de l'aliment.
3. Le four à micro-ondes démarrera automatiquement la cuisson une fois que la puissance et le temps seront réglés.
4. Une fois le temps de cuisson écoulé, l'appareil s'arrêtera en émettant un bip sonore.
5. Si l'appareil n'est pas utilisé, réglez toujours le temps de cuisson sur « 0 ».

Fonction/puissance	Watts	Application
Min	115 W	Ramollir de la crème glacée
	230 W	Soupe, ragoût, ramollir du beurre ou décongeler
Med	390 W	Ragoût, poisson
.	540 W	Riz, poisson, poulet, viande hachée
Max	700 W	Réchauffer, lait, bouillir de l'eau, légumes, boissons

Remarque :

lorsque vous sortez des aliments du four, assurez-vous que le four est éteint en mettant le minuteur sur 0 (zéro). Autrement, si vous faites fonctionner le four à micro-ondes sans aliments, vous risquez de surchauffer et d'endommager le magnétron.

4. RÉOLUTION DES PROBLÈMES

Normal	
Le four à micro-ondes crée des interférences avec la réception des ondes de télévision	Le fonctionnement du four à micro-ondes peut créer des interférences avec la réception des ondes de télévision. Ces interférences sont semblables à celles des autres petits électroménagers tels que le mixer, l'aspirateur, le ventilateur électrique. Cela est normal.
Baisse d'intensité de la lampe du four	Pendant la cuisson au micro-ondes à faible puissance, l'intensité de la lampe du four peut baisser. Cela est normal.
La vapeur s'accumule sur la porte, de l'air chaud s'échappe des orifices d'aération.	Pendant la cuisson, la vapeur peut s'échapper des aliments. La grande partie sort par les orifices d'aération, mais le reste peut s'accumuler sur les parties froides, notamment sur la porte. Cela est normal.
Le four s'est accidentellement mis en marche sans aliment à l'intérieur.	<i>Il est interdit de faire fonctionner l'appareil sans aliment à l'intérieur.</i> Cela est très dangereux.

Problème	Causes possibles	Solutions
Le four ne démarre pas.	(1) Le cordon d'alimentation n'est pas correctement branché.	Débranchez le four. Rebranchez-le après 10 secondes.
	(2) Fusible grillé ou disjoncteur activé.	Remplacez le fusible ou réglez à nouveau le disjoncteur (réparé par un professionnel de notre entreprise)
	(3) Problème avec la sortie.	Testez la sortie avec d'autres appareils électriques.
Le four ne chauffe pas	(4) Porte mal fermée.	Fermez correctement la porte.

5. CARACTÉRISTIQUES

Modèle :	TILLREDA 504.867.92
Tension nominale :	220-230 V ~ 50 Hz
Puissance d'entrée nominale (micro-ondes) :	1 050 W
Puissance de sortie nominale (micro-ondes) :	700 W
Capacité du four :	20 l
Diamètre du plateau tournant :	255 mm
Dimensions externes :	439,5 x 340,0 x 258,2 mm
Poids net :	10,39 kg

6. INSTALLATION ET RACCORDEMENT

Installation sur le plan de travail

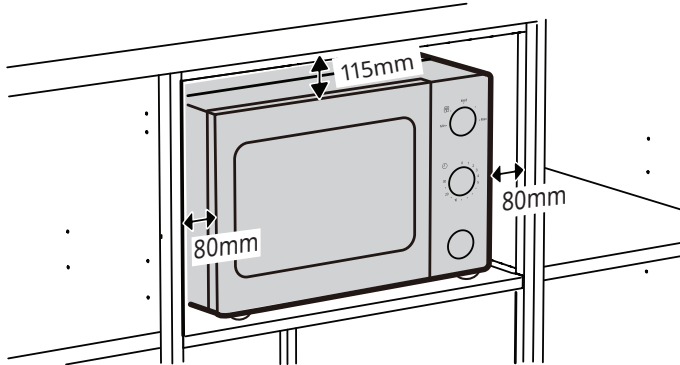
Retirez tous les matériaux d'emballage et les accessoires. Examinez le four pour vérifier l'absence de tout dommage, tel qu'un choc ou une porte cassée. N'installez pas le four si celui-ci est endommagé.

Armoire : enlevez tout film protecteur se trouvant sur la surface de l'armoire du four à micro-ondes.

Ne retirez pas le couvercle en plastique blanc fixé à la cavité du four pour protéger le magnétron.

Installation

1. Choisissez une surface plane qui offre un espace ouvert suffisant pour les orifices d'entrée et/ou de sortie.



- (1) La surface arrière de l'appareil doit être placée contre un mur. Laissez un espace minimal de 11.5 cm au-dessus du four, un

espace minimal de 8 cm est requis entre le four et tout mur adjacent.

- (2) Ne retirez pas les pieds en dessous du four.
 - (3) Ne bloquez pas les orifices d'entrée et/ou de sortie, sous peine d'endommager le four.
 - (4) Placez le four aussi loin que possible des radios et des téléviseurs. L'utilisation du four à micro-ondes peut provoquer des interférences avec la réception de la radio ou de la télévision.
2. Branchez votre four dans une prise de courant standard. Assurez-vous que la tension et la fréquence sont les mêmes que celles indiquées sur la plaque signalétique.

AVERTISSEMENT : N'installez pas le four au-dessus d'une plaque de cuisson ou d'un autre appareil produisant de la chaleur. S'il est installé à proximité ou au-dessus d'une source de chaleur, le four risque d'être endommagé et la garantie d'être annulée.



La surface accessible peut être chaude au cours du fonctionnement.

7. PROTECTION DE L'ENVIRONNEMENT



Selon la directive Déchets d'équipements électriques et électroniques (DEEE), les DEEE doivent être collectés séparément et traités. Si, à quelque moment que ce soit à l'avenir, vous devez vous débarrasser de cet appareil, NE le mettez PAS dans les déchets ménagers. Envoyez ce produit dans les points de collecte des DEEE le cas échéant.

8. GARANTIE IKEA

Quelle est la durée de validité de la garantie IKEA ?

Cette garantie est valable pendant 2 ans à compter de la date d'achat initiale de votre appareil chez IKEA, sauf disposition contraire dans la législation nationale. Rendez-vous sur IKEA.com pour connaître les dispositions applicables dans votre pays. La preuve d'achat originale est requise. Les réparations effectuées sous garantie ne prolongent pas la période de garantie de l'appareil.

Qui effectuera la réparation ?

Contactez le plus proche magasin IKEA.

Que couvre la garantie ?

La garantie couvre les défauts de l'appareil, dus à des vices de matière ou de fabrication, à partir de la date d'achat chez IKEA. Cette garantie ne s'applique que dans le cas d'un usage domestique. Les exceptions sont spécifiées à la rubrique « Qu'est-ce qui n'est pas couvert par cette garantie ? » Pendant la période de garantie, les coûts engagés pour remédier au problème, par exemple les réparations, les pièces, la main-d'œuvre et les déplacements sont pris en charge à condition que l'appareil soit accessible à des fins de réparation sans dépenses particulières. Les pièces remplacées deviendront propriété d'IKEA.

Que fera IKEA pour régler le problème ?

IKEA examine le produit et décide, à sa seule discrétion, si le défaut est couvert par la garantie. Si tel est le cas, IKEA procède alors, à sa seule discrétion, à la réparation du produit défectueux ou à son remplacement par le même produit ou par un produit équivalent.

Qu'est-ce qui n'est pas couvert par cette garantie ?

- L'usure normale.
- Les dommages occasionnés sciemment ou par négligence, les dommages résultant du non-respect des instructions d'utilisation, d'une installation inadéquate ou d'une alimentation électrique inadéquate, les dommages causés par des réactions chimiques ou électrochimiques,

la rouille, la corrosion ou un dégât des eaux, y compris, notamment, les dommages causés par un excès de calcaire dans l'eau, les dommages causés par des conditions environnementales anormales.

- Les consommables, y compris les ampoules et les piles.
- Les éléments non fonctionnels et décoratifs qui n'affectent pas l'usage normal de l'appareil, y compris les rayures et les éventuelles différences de couleur.
- Les dommages accidentels causés par des corps étrangers ou des substances, et le nettoyage et le débouchage des filtres, systèmes de vidange ou compartiments à savon.
- Les dommages occasionnés aux éléments suivants : vitrocéramique, accessoires, paniers à vaisselle et à couverts, tuyaux d'alimentation et de vidange, joints, ampoules et diffuseurs, écrans, boutons, revêtements et parties de revêtements, sauf s'il est prouvé que ces dommages sont dus à des vices de fabrication.
- Les réparations qui ne sont pas effectuées par nos réparateurs désignés et/ou un partenaire contractuel autorisé ou en cas d'utilisation antérieure de pièces non d'origine.
- Les réparations consécutives à une installation inadéquate ou non conforme aux spécifications.
- L'utilisation de l'appareil dans un environnement non domestique, (p. ex. professionnel).
- Les dommages occasionnés par ou durant le transport. Si un client transporte personnellement le produit jusqu'à son domicile ou une autre adresse, IKEA décline toute responsabilité en cas de dommages pendant le transport. Si IKEA livre le produit à l'adresse de livraison indiquée par le client, tout éventuel dommage se produisant en cours de livraison sera couvert par IKEA.
- Les frais liés à l'installation initiale de l'appareil IKEA. Si un prestataire de service IKEA ou un partenaire contractuel autorisé répare ou remplace l'appareil conformément à la présente garantie, le prestataire de services ou le partenaire agréé autorisé réinstallera l'appareil réparé ou installera l'appareil de remplacement, le cas échéant.

Loi nationale applicable

La garantie IKEA vous donne des droits légaux spécifiques, qui couvrent ou dépassent toutes les exigences légales locales. Cependant, ces conditions ne limitent en aucun cas les droits des consommateurs décrits dans la législation locale.

Zone de validité

Pour les appareils achetés dans un pays européen et transportés dans un autre pays européen, les interventions seront effectuées dans le cadre des conditions de garantie normales dans le nouveau

FRANÇAIS

pays. L'obligation de réparation dans le cadre de la garantie n'est effective que si l'appareil est conforme et installé conformément aux :

- spécifications techniques du pays dans lequel la demande d'intervention sous garantie est introduite ;
- instructions de montage et aux informations relatives aux consignes de sécurité figurant dans le manuel d'utilisation.

SERVICE APRÈS-VENTE pour les appareils IKEA

N'hésitez pas à contacter IKEA pour :

- Faire une demande d'intervention sous garantie ;
- Demander des précisions au sujet des fonctions des appareils IKEA.

Afin de vous garantir la meilleure assistance possible, nous vous prions de lire attentivement les instructions d'assemblage et le mode d'emploi avant de nous contacter.

Comment nous joindre en cas de besoin



Le centre de service après-vente IKEA vous aide par téléphone à résoudre des problèmes élémentaires au moment de la demande d'appel de service. Reportez-vous au catalogue IKEA ou visitez www.ikea.com pour trouver le numéro de téléphone et les heures d'ouverture de votre magasin local.

Afin de pouvoir vous assurer un service plus rapide, il faut toujours nous fournir le code article IKEA (nombre à 8 chiffres) se trouvant sur la plaque signalétique de votre appareil.

CONSERVEZ VOTRE PREUVE D'ACHAT !

La preuve de votre achat est nécessaire pour l'application de la garantie. Le nom et le numéro d'article (code à 8 chiffres) IKEA de chaque appareil acheté figurent également sur la preuve d'achat.

Besoin d'une assistance supplémentaire ?

Pour toute autre question non relative au service après-vente de vos appareils, contactez le centre d'appel de votre magasin IKEA. Nous vous recommandons de lire attentivement toute la documentation fournie avec l'appareil avant de nous contacter.

1. ISTRUZIONI PER LA SICUREZZA	48
2. DESCRIZIONE DELL'APPARECCHIO	54
3. PANNELLO DEI COMANDI	55
4. RISOLUZIONE DEI PROBLEMI	56
5. SPECIFICHE	56
6. INSTALLAZIONE E CONNESSIONI	57
7. CONSIGLI PER LA SALVAGUARDIA DELL'AMBIENTE	58
8. GARANZIA IKEA	58

ITALIANO

Leggere attentamente le presenti istruzioni prima di utilizzare il forno a microonde e conservarlo accuratamente.

Se il forno a microonde viene utilizzato nel rispetto delle presenti istruzioni, garantirà un buon funzionamento per diversi anni.

**CONSERVARE LE
PRESENTI ISTRUZIONI
IN UN LUOGO SICURO**

1. ISTRUZIONI PER LA SICUREZZA



PRECAUZIONI PER EVITARE POSSIBILI ESPOSIZIONI A ENERGIA A MICROONDE ECCESSIVA

- a) Non tentare di mettere in funzione il forno con lo sportello aperto, poiché ciò potrebbe causare una pericolosa esposizione a energia a microonde. È importante non rompere o manomettere i blocchi di sicurezza.
- b) Non posizionare oggetti tra la parte anteriore e lo sportello del forno ed evitare che lo sporco o residui di detergente si accumulino sulle superfici di tenuta.
- c) **AVVERTENZA:** Se lo sportello o le guarnizioni dello sportello sono danneggiati, non utilizzare il forno fino alla loro riparazione da parte di personale competente.

ADDENDUM

Se l'apparecchio non viene mantenuto pulito e in buone condizioni, la superficie potrebbe deteriorarsi compromettendo la durata di vita dello stesso apparecchio e generando una situazione pericolosa.

AVVERTENZE IMPORTANTI SULLA SICUREZZA

Per ridurre il rischio di incendio, scosse elettriche, lesioni fisiche o esposizione a energia eccessiva a microonde durante l'uso dell'apparecchio, seguire le precauzioni di base, tra cui le seguenti:

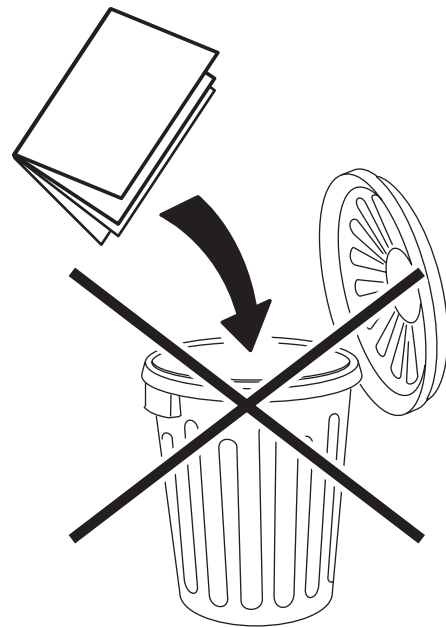
1. Leggere e attenersi alle specifiche: "**PRECAUZIONI PER EVITARE POSSIBILI ESPOSIZIONI A ENERGIA A MICROONDE ECCESSIVA**".
2. Questo dispositivo può essere utilizzato dai bambini a partire dagli 8 anni di età e da persone con ridotte capacità fisiche, sensoriali o mentali o non dotate dell'esperienza e delle conoscenze necessarie, a condizione che siano adeguatamente sorvegliate o abbiano ricevuto le istruzioni necessarie in merito all'uso sicuro del dispositivo e abbiano compreso i rischi che ne possono derivare. I bambini non devono giocare con il dispositivo. La pulizia e la manutenzione da parte dell'utente non devono essere eseguite da bambini senza la supervisione di un adulto.
3. Tenere l'apparecchio e il cavo fuori dalla portata dei bambini di età inferiore agli 8 anni.

4. Se il cavo di alimentazione è danneggiato, deve essere sostituito dal produttore, dal tecnico dell'assistenza clienti o da una persona altrettanto qualificata, in modo da evitare rischi.
5. **AVVERTENZA:** Le operazioni di manutenzione o riparazione che prevedono la rimozione di una protezione contro l'esposizione a energia a microonde devono essere eseguite unicamente da personale competente.
6. L'uso del forno a microonde per riscaldare bevande può causare l'improvvisa o la ritardata fuoriuscita del liquido in ebollizione.
7. Se si riscaldano alimenti in contenitori di plastica o carta, tenere sotto controllo il forno per evitare il rischio di ignizione.
8. Utilizzare solo utensili da cucina adatti per i forni a microonde.
9. In caso di fumo, spegnere o scollegare l'apparecchio e tenere la porta chiusa per circoscrivere le fiamme.
10. Il riscaldamento a microonde delle bevande può portare ad una bollitura ritardata e con effetto eruttivo, pertanto si raccomanda di fare molta attenzione maneggiando il contenitore.
11. Il contenuto dei biberon e dei vasetti per gli alimenti dei bambini deve essere mescolato o agitato, inoltre si raccomanda di controllare la temperatura prima di somministrarli, per evitare ustioni.
12. Le uova con il guscio o le uova sode intere non devono essere riscaldate nel forno a microonde, poiché possono esplodere anche al termine del riscaldamento del microonde.
13. Il forno deve essere pulito regolarmente e i depositi di cibo rimossi.
14. In caso di impropria manutenzione del forno e di scarse condizioni di pulizia, la superficie può deteriorarsi, generando effetti collaterali che possono compromettere la durata utile dell'apparecchio e causare possibili situazioni pericolose.
15. Evitare di utilizzare l'apparecchio con uno sportello decorativo, per evitare che si surriscaldi.
16. Il forno a microonde deve essere utilizzato con lo sportello del mobile decorativo aperto.

ITALIANO

17. L'apparecchio è destinato all'uso domestico e per applicazioni simili, tra cui:
- nelle aree adibite a cucina di negozi, uffici e altri ambienti di lavoro;
 - dai clienti degli hotel, dei motel e di altre strutture di tipo residenziale;
 - agriturismi;
 - strutture del tipo Bed & Breakfast.
18. Il forno a microonde è pensato per riscaldare alimenti e bevande. L'essiccazione dei cibi o l'asciugatura di indumenti e il riscaldamento di cuscinetti riscaldanti, pantofole, spugne, abiti umidi, ecc. possono generare il rischio di lesioni, ignizione o incendio.
19. I contenitori metallici per cibi e bevande non devono essere utilizzati per la cottura nel forno a microonde.
20. Non pulire l'apparecchio con un getto a vapore.
21. L'apparecchio è pensato per essere utilizzato come un'unità autonoma o da incasso.
22. La superficie posteriore dell'apparecchio deve essere posizionata contro la parete.
23. L'apparecchio è pensato unicamente per un uso domestico e in ambienti interni. Non utilizzare l'apparecchio all'aperto!
24. Per evitare il rischio di scosse elettriche, non immergere i componenti principali, il cavo o la spina del prodotto in acqua o in altri liquidi.
25. **AVVERTENZA:** I liquidi e gli altri alimenti non devono essere riscaldati in contenitori sigillati, in quanto potrebbero esplodere.

**LEGGERE ATTENTAMENTE
IL PRESENTE MANUALE
E CONSERVARLO COME
RIFERIMENTO FUTURO.**



ITALIANO

**PER RIDURRE IL RISCHIO DI LESIONI FISICHE,
COLLEGARE A TERRA L'APPARECCHIO**

PERICOLO

Rischio di scosse elettriche

Il contatto con alcuni componenti interni può causare gravi lesioni fisiche o la morte. Non smontare l'apparecchio.

AVVERTENZA

Rischio di scosse elettriche

Un'errata messa a terra può causare scosse elettriche. Non collegare l'apparecchio ad una presa di corrente finché non è stato correttamente installato e collegato a terra.

L'apparecchio deve essere collegato a terra. In caso di cortocircuito, la messa a terra riduce il rischio di scosse elettriche grazie al cavo di collegamento a terra della corrente elettrica. L'apparecchio è dotato di un cavo di alimentazione con fili di messa a terra e di una spina di messa a terra. La spina deve essere inserita in una presa propriamente installata e collegata a terra.

Rivolgersi ad un elettricista qualificato o un manutentore esperto se le istruzioni di messa a terra non sono sufficientemente chiare o in caso di dubbi sul collegamento a terra dell'apparecchio. Se necessario, utilizzare una prolunga assicurandosi che sia a 3 fili.

1. Il cavo di alimentazione fornito con l'apparecchio è corto, in modo da ridurre il rischio di rimanere impigliati o di inciampare in un cavo più lungo.
2. Se si utilizza un kit con cavo più lungo o con prolunga:
 - a) I valori elettrici nominali indicati per il cavo o la prolunga dovranno essere superiori ai valori elettrici nominali dell'apparecchio.
 - b) La prolunga deve essere del tipo a 3 fili con messa a terra.
 - c) Il cavo lungo deve essere disposto in modo da non ricadere sul piano d'appoggio o sul tavolo evitando, in questo modo, che possa essere tirato da bambini o che possa essere calpestato inavvertitamente.

PULIZIA

Assicurarsi di scollegare l'apparecchio dall'alimentazione.

1. Pulire la cavità del forno dopo l'uso, utilizzando un panno leggermente bagnato.
2. Pulire gli accessori con acqua e sapone.
3. La cornice e le guarnizioni dello sportello e le parti circostanti devono essere pulite meticolosamente con un panno bagnato, quando sono sporche.
4. Non utilizzare detergenti abrasivi o raschietti di metallo per pulire il vetro dello sportello del forno, poiché potrebbero graffiare la superficie e provocare la rottura del vetro.
5. *Consigli per una corretta pulizia* ★ Per una più facile pulizia delle pareti della cavità del forno che possono essere toccate dai cibi durante la cottura: Collocare mezzo limone in una ciotola, aggiungere 300 ml (1/2 pinta) di acqua e riscaldare nel microonde alla massima potenza per 10 minuti. Asciugare il forno con un panno morbido e asciutto.

ATTENZIONE

Rischio di lesioni fisiche

Le operazioni di manutenzione o riparazione che prevedono la rimozione di una protezione contro l'esposizione a energia a microonde devono essere eseguite unicamente da personale competente.

Vedere le istruzioni fornite nella sezione "**MATERIALI CHE SI POSSONO UTILIZZARE NEL FORNO A MICROONDE O CHE DEVONO ESSERE EVITATI**".

Possono esservi alcuni utensili non metallici sconsigliati per un uso con il forno a microonde in quanto non sicuri. In caso di dubbi, testare l'utensile in questione procedendo nel modo seguente.

Test degli utensili:

1. Riempire un contenitore per microonde con 1 tazza di acqua fredda (250 ml) e introdurre l'utensile in questione.
2. Cuocere alla massima potenza per 1 minuto.
3. Toccare con attenzione l'utensile. Se l'utensile vuoto è caldo, non utilizzarlo per la cottura nel microonde.
4. Non superare il tempo di cottura di 1 minuto.

ITALIANO

MATERIALI CHE SI POSSONO UTILIZZARE NEL FORNO A MICROONDE

Utensili	Note
Piastra per doratura	Seguire le istruzioni del produttore. La base della piastra per doratura deve rimanere sollevata di almeno 5 mm (3/16 pollici) sul piatto girevole. Un uso improprio può provocare la rottura del piatto girevole.
Set di piatti	Solo per microonde. Seguire le istruzioni del produttore. Non utilizzare piatti crepati o scheggiati.
Vasetti in vetro	Rimuovere sempre il coperchio. Utilizzare unicamente per riscaldare gli alimenti rapidamente. La maggior parte dei vasetti non sono resistenti al calore e possono rompersi.
Set di contenitori di vetro	Solo contenitori da forno resistenti al calore. Assicurarsi che non vi siano bordi in metallo. Non utilizzare piatti crepati o scheggiati.
Sacchetti per la cottura nel forno	Seguire le istruzioni del produttore. Non chiudere con una fascetta in metallo. Praticare dei piccoli intagli per lasciare fuoriuscire il vapore.
Piatti e bicchieri di carta	Utilizzare solo per cuocere/riscaldare rapidamente. Non lasciare il forno incustodito durante la cottura.
Rotoli di carta assorbente	Utilizzare per coprire gli alimenti da riscaldare e per assorbire i grassi. Utilizzare solo per una cottura rapida, controllando sempre il forno.
Carta da forno	Utilizzare come un coperchio per evitare schizzi o per avvolgere gli alimenti per una cottura al vapore.
Plastica	Solo per microonde. Seguire le istruzioni del produttore. I prodotti in plastica devono riportare la dicitura "Adatto per l'uso nel microonde". Alcuni contenitori in plastica si ammorbidiscono quando il cibo all'interno si riscalda. Se si utilizzano "sacchetti per la cottura al vapore" e sacchetti in plastica chiusi ermeticamente, realizzare dei piccoli tagli, dei fori o delle aperture di ventilazione, secondo quanto indicato sulla confezione.
Pellicola alimentare	Solo per microonde. Utilizzare per coprire gli alimenti durante la cottura per trattenere l'umidità. Evitare il contatto diretto con gli alimenti.
Termometri	Solo per microonde (termometri per carne e dolci).
Carta cerata	Utilizzare la carta come un coperchio per evitare schizzi e trattenere l'umidità.

MATERIALI DA EVITARE PER LA COTTURA NEL MICROONDE

Utensili	Note
Vaschette in alluminio	Possono causare un arco voltaico. Trasferire gli alimenti in un piatto adatto al microonde.
Cartone per alimenti con maniglie in metallo	Possono causare un arco voltaico. Trasferire gli alimenti in un piatto adatto al microonde.
Utensili in metallo o con profili metallici	Il metallo scherma gli alimenti dall'energia a microonde. I profili metallici possono causare un arco voltaico.
Lacci in metallo	Possono causare un arco voltaico e generare il rischio di incendio nel forno.
Sacchetti di carta	Possono generare il rischio di incendio nel forno.
Polistirolo	Il polistirolo può sciogliersi o contaminare il liquido all'interno in caso di esposizione ad una elevata temperatura.
Legno	Il legno si essiccherà se utilizzato nel forno a microonde e potrebbe mostrare delle crepe o rompersi.

2. DESCRIZIONE DELL'APPARECCHIO

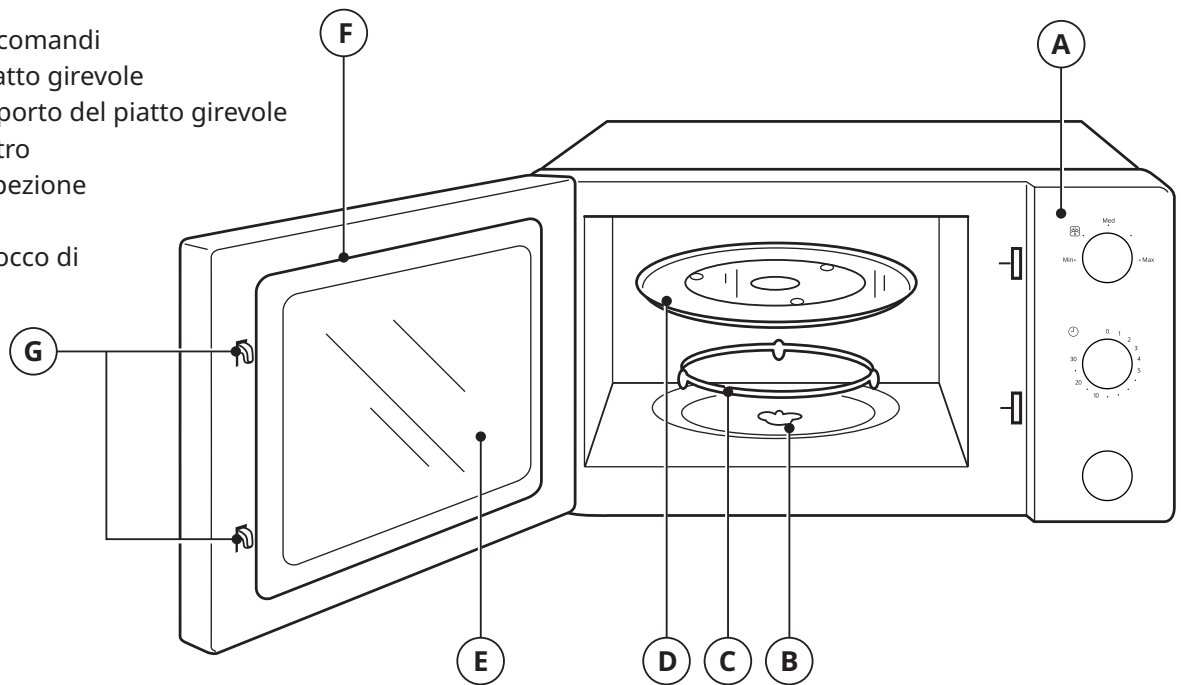
IMPOSTAZIONE DEL FORNO

Nome delle parti e degli accessori del forno

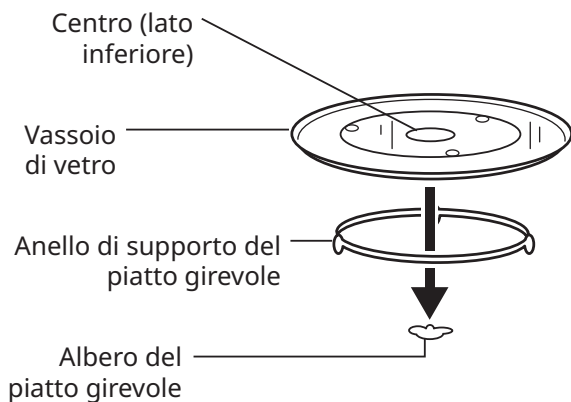
Estrarre il forno e tutti i materiali dalla scatola e dalla camera di cottura del forno. Il forno viene fornito completo dei seguenti accessori:

Vassoio di vetro	1x
Anello di supporto del piatto girevole	1x
Manuale di istruzioni	1x

- A. Pannello dei comandi
- B. Albero del piatto girevole
- C. Anello di supporto del piatto girevole
- D. Vassoio di vetro
- E. Finestra di ispezione
- F. Sportello
- G. Sistema di blocco di sicurezza



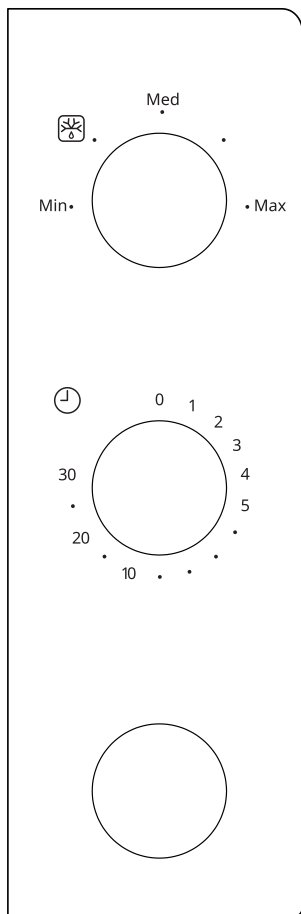
Installazione del piatto girevole




- a) Non capovolgere il vassoio di vetro. Il vassoio di vetro non deve mai essere limitato nel movimento.
- b) Il vassoio di vetro e l'anello di supporto del piatto girevole devono entrambi essere utilizzati durante la cottura.
- c) Tutti gli alimenti e i contenitori devono sempre essere posizionati sul vassoio di vetro per la cottura.
- d) Se il vassoio di vetro o l'anello di supporto del piatto girevole crepano o si rompono, contattare il centro assistenza autorizzato più vicino.

3. PANNELLO DEI COMANDI

Istruzioni per l'uso del pannello dei comandi e delle diverse funzioni



1. Per impostare la potenza di cottura, ruotare l'apposita manopola sul livello desiderato.
2. Per impostare il tempo di cottura, ruotare la manopola del timer sul tempo desiderato, secondo quanto indicato nella guida per la cottura degli alimenti.
3. Il forno a microonde avvierà automaticamente la cottura una volta impostati il livello di potenza e il tempo.
4. Al termine del tempo di cottura, l'unità emetterà un suono e si arresterà.
5. Se l'unità non viene utilizzata, impostare il tempo a "0".

Funzione/Potenza	Watt	Applicazione
Min	115 W	Ammorbidire il gelato
	230 W	Scaldare zuppe, stufati, ammorbidire il burro o scongelare
Med	390 W	Stufati, pesce
.	540 W	Riso, pesce, pollo, carne macinata
Max	700 W	Riscaldare, latte, bollire l'acqua, verdura, bevande

Avviso:

Quando si rimuovono gli alimenti dal forno, assicurarsi di spegnere il forno ruotando la manopola del timer sullo 0 (zero).

In caso contrario, lasciando acceso il forno a microonde senza alimenti all'interno, il forno si surriscalderebbe e ciò potrebbe danneggiare il magnetron.

4. RISOLUZIONE DEI PROBLEMI

Normale	
Il forno a microonde può interferire con la ricezione della TV	La ricezione della radio e della TV può essere disturbata quando il microonde è in funzione. Questo fenomeno è simile all'interferenza delle piccole apparecchiature elettriche, quali ad esempio mixer, aspirapolvere ed elettroventilatore. È una condizione normale.
Luce variabile del forno	Impostando la cottura a microonde a bassa potenza, la luce del forno si attenua. È una condizione normale.
Il vapore si accumula sullo sportello e l'aria calda fuoriesce dalle prese di areazione.	Durante la cottura, può generarsi vapore che fuoriesce dagli alimenti. La maggior parte del vapore uscirà dalle prese di areazione, ma una parte si accumulerà in una zona fredda, come ad esempio lo sportello del forno. È una condizione normale.
Il forno si è avviato accidentalmente da vuoto.	<i>È vietato azionare l'apparecchio se non contiene alcun alimento.</i> È estremamente pericoloso.

Guasto	Possibile causa	Rimedio
Il forno non si accende.	(1) Il cavo di alimentazione non è collegato correttamente.	Scollegarlo. e collegarlo nuovamente dopo 10 secondi.
	(2) Il fusibile salta o l'interruttore automatico si è attivato.	Sostituire il fusibile o resettare l'interruttore automatico (queste operazioni devono essere eseguite dal personale qualificato della nostra società).
	(3) Problema della presa.	Provare la presa collegando altre apparecchiature elettriche.
Il forno non si scalda	(4) Lo sportello non è chiuso bene.	Chiudere lo sportello correttamente.

5. SPECIFICHE

Modello:	TILLREDA 504.867.92
Tensione:	220-230 V~50 Hz
Potenza nominale di ingresso (microonde):	1050 W
Potenza nominale in uscita (microonde):	700 W
Capacità del forno:	20 litri
Diametro del piatto girevole:	255 mm
Dimensioni esterne:	439,5 x 340,0 x 258,2 mm
Peso netto:	10,39 kg

6. INSTALLAZIONE E CONNESSIONI

Installazione sul piano di lavoro

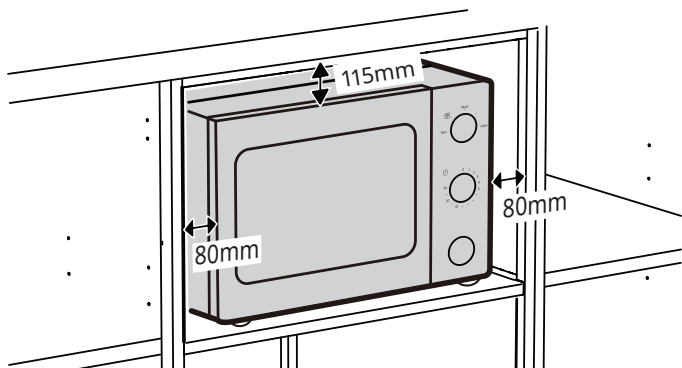
Rimuovere tutto il materiale di imballaggio e gli accessori. Effettuare un'ispezione visiva del forno per verificare che non sia danneggiato, che non presenti ammaccature o che lo sportello non sia rotto. Non utilizzare il forno se risulta danneggiato.

Mobile: rimuovere la pellicola protettiva che si trova sulla superficie del mobile di installazione del forno.

Non rimuovere il coperchio di plastica bianca fissato alla cavità del forno per proteggere il magnetron.

Installazione

1. Scegliere una superficie di installazione piana e sulla quale vi sia spazio a sufficienza, in modo da non coprire le prese di aerazione in entrata e in uscita.



- (1) La superficie posteriore dell'apparecchio deve essere posizionata contro la parete. Lasciare una distanza minima di 11.5 cm sopra al forno e una distanza di almeno 8 cm tra il forno e le pareti adiacenti.
- (2) Non rimuovere i piedi che si trovano nella parte inferiore del forno.
- (3) Il forno può danneggiarsi se le prese di aerazione in entrata e/o in uscita vengono bloccate.
- (4) Posizionare il forno quanto più lontano possibile da radio e televisori. L'uso del forno a microonde può causare interferenze e compromettere la ricezione della radio e del televisore.

2. Collegare il forno ad una presa di alimentazione standard domestica. Assicurarsi che la tensione e la frequenza corrispondano alle indicazioni riportate sulla targhetta dei dati nominali.

AVVERTENZA: Non installare il forno su un piano cottura o su altri apparecchi che generano calore. Se installato vicino o sopra ad una fonte di calore, il forno può danneggiarsi e la garanzia verrà invalidata.



La superficie accessibile può essere calda durante il funzionamento.

7. CONSIGLI PER LA SALVAGUARDIA DELL'AMBIENTE



In conformità con la direttiva WEEE (rifiuti di apparecchiature elettriche ed elettroniche), tali rifiuti devono essere raccolti e trattati separatamente. Nel caso in cui, in qualunque momento in futuro, sia necessario smaltire l'apparecchio, si raccomanda di NON smaltirlo con i rifiuti domestici. Consegnare l'apparecchio nei punti di raccolta dei WEEE, ove disponibili.

8. GARANZIA IKEA

Quanto dura la garanzia IKEA?

La presente garanzia è valida per 2 anni a partire dalla data originale di acquisto dell'elettrodomestico presso IKEA, salvo disposizioni diverse previste dalla legislazione nazionale. Visitare IKEA.com per sapere quali sono le norme in vigore nel proprio Paese.

È necessario esibire lo scontrino originale come documento comprovante l'acquisto. Eventuali interventi di assistenza effettuati durante la garanzia non ne estenderanno la validità.

Chi fornisce il servizio?

Contattare il punto vendita IKEA più vicino.

Cosa copre questa garanzia?

La garanzia copre i difetti dell'elettrodomestico causati da vizi di fabbricazione (difetto funzionale), a partire dalla data di acquisto/consegna dell'elettrodomestico. Questa garanzia è applicabile solo all'uso domestico. Le eccezioni sono descritte alla voce "Cosa non è coperto dalla garanzia?". Nel periodo di validità della garanzia, i costi di riparazione (pezzi di ricambio, manodopera e viaggi del personale tecnico) saranno sostenuti dal servizio assistenza, fermo restando che l'accesso all'apparecchiatura per l'intervento di riparazione non comporti spese particolari. I componenti sostituiti diventano proprietà di IKEA.

Come interverrà IKEA per risolvere il problema?

IKEA esaminerà il prodotto e deciderà – a propria discrezione - se è coperto da questa garanzia. Se l'elettrodomestico è coperto da garanzia, IKEA – a propria discrezione – riparerà il prodotto difettoso o lo sostituirà con lo stesso articolo o con uno compatibile.

Cosa non è coperto dalla garanzia?

- Normale usura.
- Danni provocati deliberatamente, danni provocati dalla mancata osservanza delle istruzioni di funzionamento, da un'installazione non corretta o in seguito a collegamento a un voltaggio errato. Danni provocati da reazioni chimiche o elettrochimiche, ruggine, corrosione o danni causati da acqua, inclusi i danni causati dalla presenza di eccessivo calcare nelle condutture idriche. Danni causati da eventi atmosferici e naturali.
- Le parti soggette a consumo, incluse batterie e lampadine.
- Danni a parti non funzionali e decorative che non influiscono sul normale uso dell'elettrodomestico, inclusi graffi e differenze di colore.
- Danni accidentali causati da corpi o sostanze estranee e danni causati da pulizia o eliminazione di ostruzioni da filtri, sistemi di scarico o cassette del detersivo.
- Danni ai seguenti componenti: vetroceramica, accessori, cestelli per posate e stoviglie, tubi di alimentazione e drenaggio, guarnizioni, lampadine e copri lampadine, griglie, manopole, rivestimento e parti del rivestimento. A meno che si possa provare che tali danni siano stati causati da errori di fabbricazione.
- Riparazioni non eseguite dal nostro Servizio Assistenza autorizzato e/o da un Partner di Assistenza contrattuale autorizzato o in caso di uso di ricambi non originali.
- Riparazioni causate da un'installazione non corretta o non conforme alle specifiche.
- Casi di uso improprio e/o non domestico dell'apparecchio, ad es. uso professionale.
- Danni da trasporto. Qualora sia il cliente a trasportare il prodotto alla propria abitazione o ad altro indirizzo, IKEA non è responsabile per eventuali danni che potrebbero verificarsi durante il trasporto. In compenso, qualora sia IKEA ad effettuare il trasporto del prodotto all'indirizzo del cliente, eventuali danni occorsi al prodotto durante la consegna saranno coperti da IKEA.
- Costi inerenti la prima installazione dell'elettrodomestico IKEA. Tuttavia, qualora un fornitore di servizi IKEA o un suo partner autorizzato ripari o sostituisca l'apparecchio nei termini della presente garanzia, il fornitore o il partner autorizzato reinstalleranno l'apparecchio riparato o installeranno l'apparecchio in sostituzione, se necessario.

ITALIANO

Applicazione delle leggi nazionali

La garanzia IKEA conferisce al cliente diritti legali specifici che coprono o eccedono i diritti previsti dalla legge dei singoli paesi. Tali condizioni non limitano tuttavia in alcun modo i diritti del consumatore definiti dalle leggi locali.

Area di validità

Per gli elettrodomestici acquistati in una nazione EU e portati in un'altra nazione EU, i servizi saranno forniti in base alle condizioni di garanzia applicabili nel nuovo paese. L'obbligo di fornire il servizio in base alle condizioni della garanzia esiste solo se l'elettrodomestico è conforme ed è installato secondo:

- le specifiche tecniche del paese in cui viene richiesta l'applicazione della garanzia;
- le informazioni sulla sicurezza contenute nelle Istruzioni per il montaggio e nel Manuale dell'utente.

Assistenza POST VENDITA per elettrodomestici IKEA

Non esitare a contattare IKEA a:

- richiedere assistenza tecnica nel periodo di garanzia;
- richiedere informazioni sul funzionamento degli elettrodomestici IKEA.

Per assicurarvi la migliore assistenza, vi preghiamo di leggere attentamente le istruzioni di assemblaggio e/o il manuale di istruzioni del prodotto prima di contattarci.

Come contattarci se avete bisogno di assistenza



Il centro assistenza clienti post vendita di IKEA vi assiste telefonicamente in caso di problemi semplici cercandone una pronta risoluzione al momento stesso della vostra richiesta. Consultare il catalogo IKEA o visitare il sito web www.ikea.com per trovare il numero telefonico del punto vendita più vicino e gli orari di apertura.

Per ottenere un'assistenza più veloce fare menzione del numero dell'articolo di IKEA (8 cifre) posizionato sulla targhetta identificativa dell'elettrodomestico.

CONSERVATE IL DOCUMENTO DI ACQUISTO/ CONSEGNA!

È la prova del vostro acquisto ed è necessario esibirlo affinché la garanzia sia valida. Sullo scontrino sono riportati anche il nome e il codice articolo IKEA (8 cifre) per ogni apparecchiatura acquistata.

Avete bisogno di ulteriore aiuto?

Per qualunque informazione non relativa all'assistenza vi preghiamo di far riferimento al Servizio Cliente del punto vendita IKEA di riferimento. Vi preghiamo di leggere attentamente la documentazione tecnica relativa all'elettrodomestico prima di contattarci.

