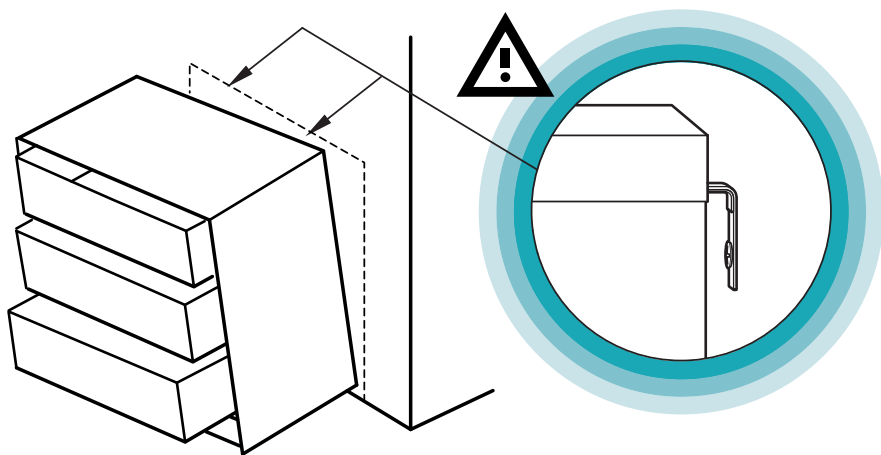


Secure it

Preventing furniture tip-over accidents



Creating safer homes together

We all want our homes to be a safe place. But in our homes, accidents can put children at risk.

Working together, we can help prevent these accidents and make the home a safer place.

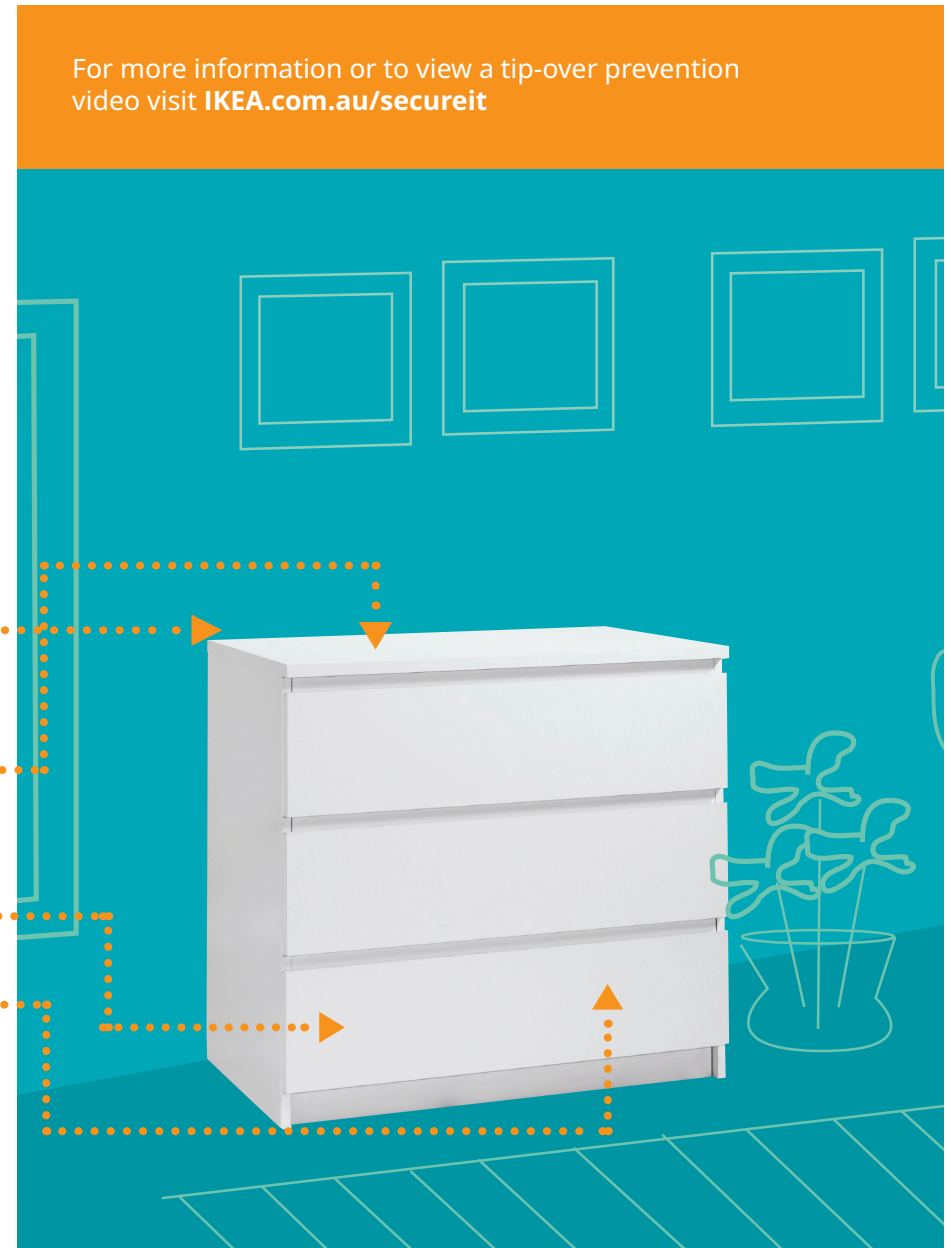
Secure it! Use the tip-over restraint provided with the product and the right hardware for your wall type. Consult the enclosed guide for help with hardware.

Never put a TV or other heavy objects on top of a chest of drawers or any furniture not intended for use with a TV.

Place heavy objects in the lowest drawers.

Never let children climb or hang on drawers, doors or shelves.

For more information or to view a tip-over prevention video visit [IKEA.com.au/secureit](https://www.ikea.com.au/secureit)



Wall anchoring guide

The hardware used to secure your furniture to the wall depends on your wall material. If your wall material is not listed or if you have questions, consult your local hardware retailer.

Wall material

Plasterboard with available wood stud

Anchoring device

Screw inserted directly into stud. For example, a 5 mm wood screw provided with ikea fixa plug and screw set. (Figure 1)



Figure 1

Wall material

Plasterboard without available wood stud

Anchoring device

Plug with screw. For example, an 8 mm plug provided with ikea fixa plug and screw set (Figure 2)

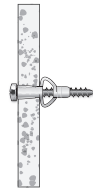


Figure 2

Wall material

Masonry

Anchoring device

Solid masonry wall: plug with screw. For example, an 8 mm plug provided with IKEA fixa plug and screw set (Figure 3a)



Figure 3a

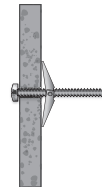


Figure 3b