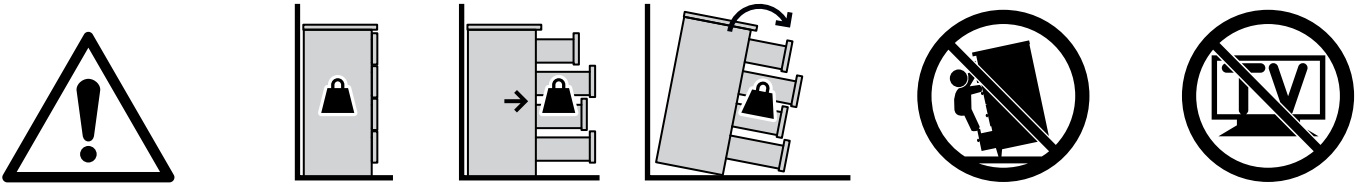


# HAVSTA



Design and Quality  
IKEA of Sweden



English

## WARNING

**Children have died from furniture tipover.**

**To reduce the risk of furniture tipover:**

ALWAYS install anti-tip device provided.

NEVER put a TV on this product.

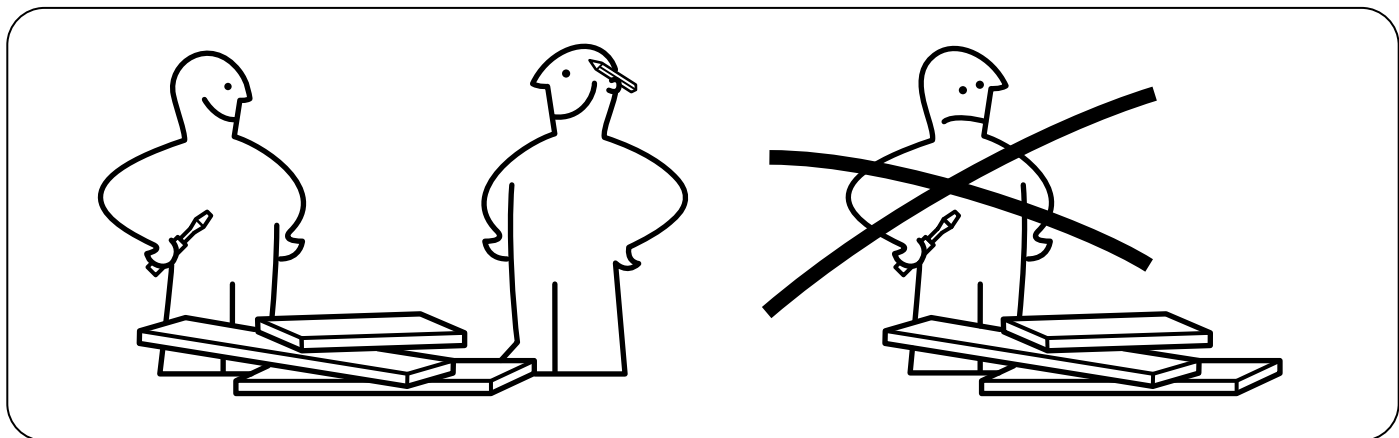
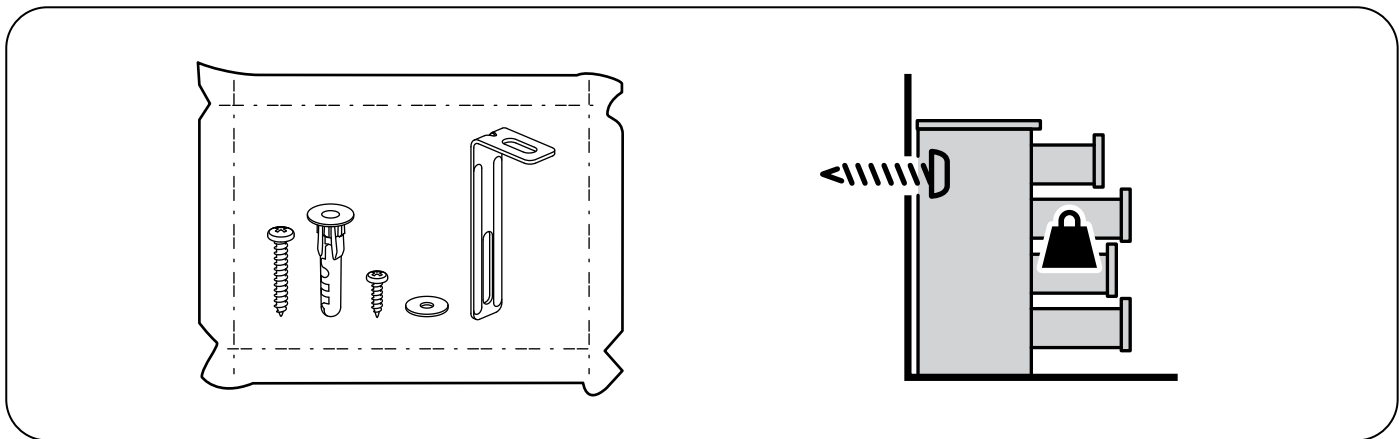
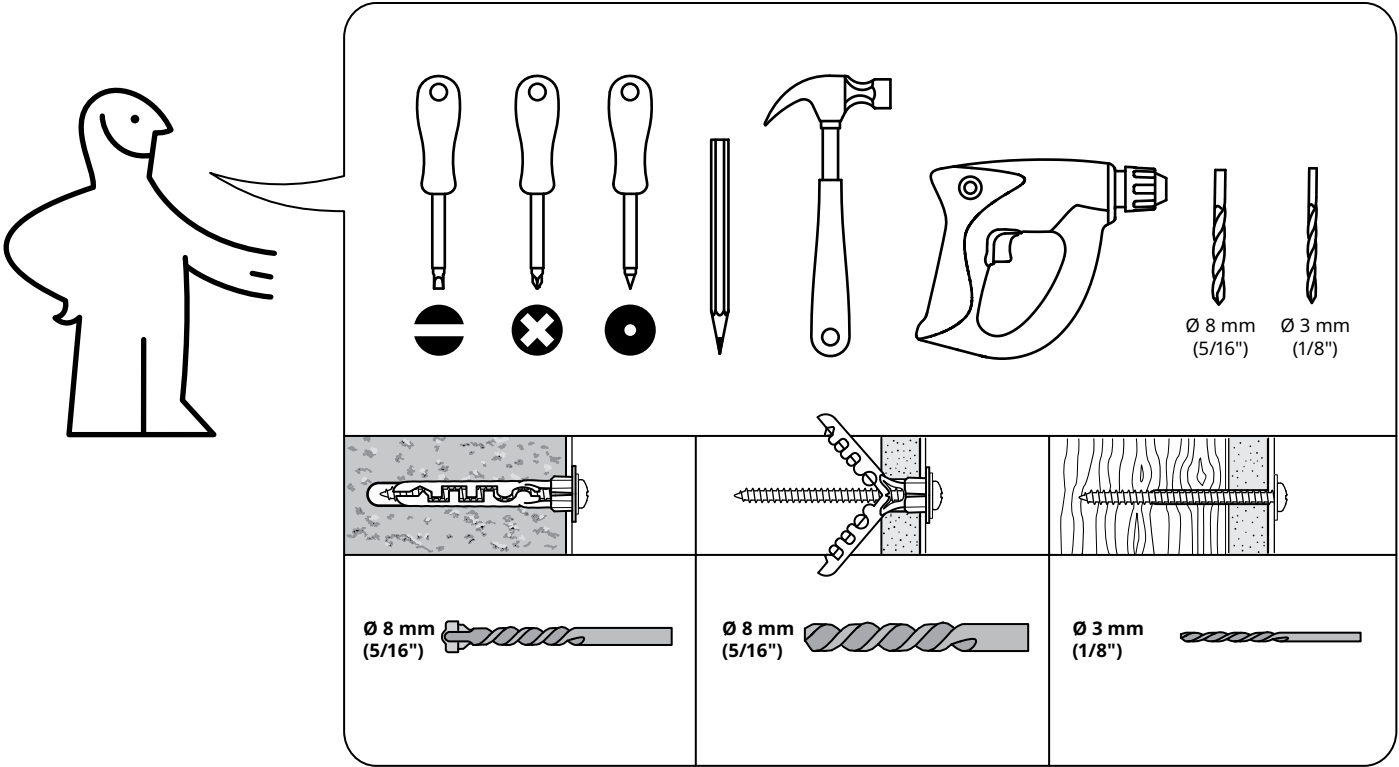
NEVER allow children to stand, climb, or hang on any drawers, doors, or shelves.

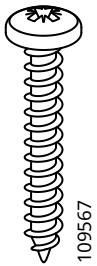
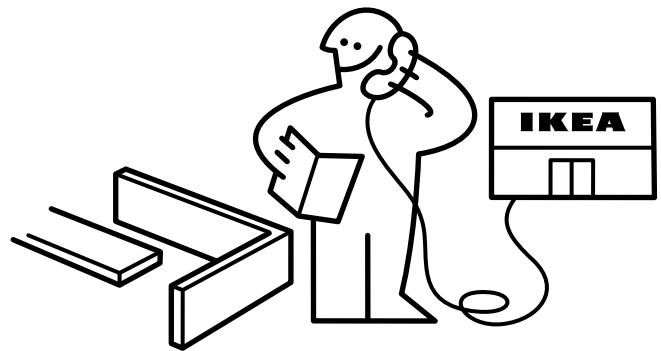
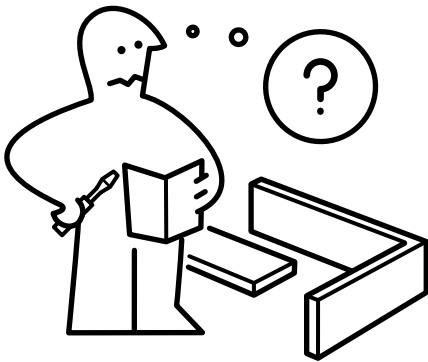
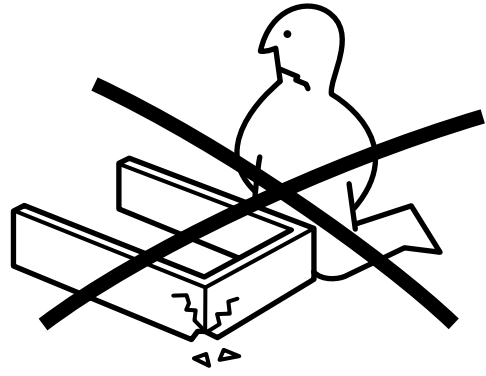
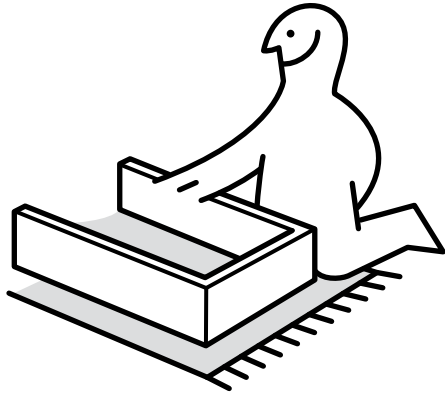
NEVER open more than one drawer at a time.

Place heaviest items in the lowest drawers.

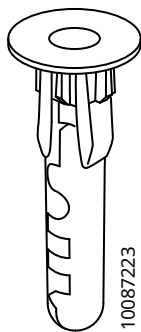
English

Read and follow each step of the instruction carefully.

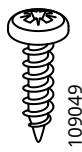




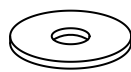
2x



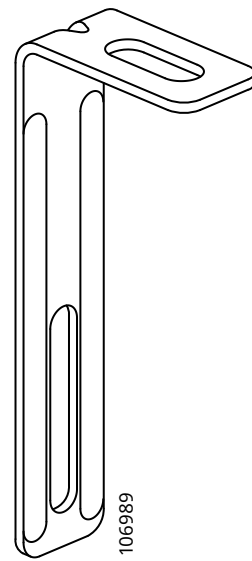
2x



2x

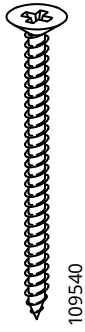


4x

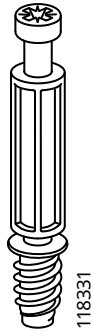


2x

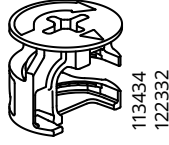
1



3x



18x



18x



15x

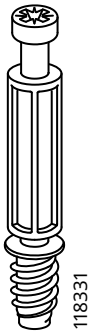


12x

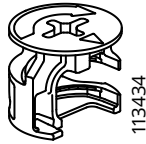


4x

2



8x



8x



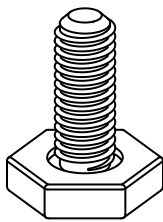
8x



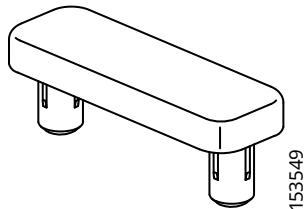
8x



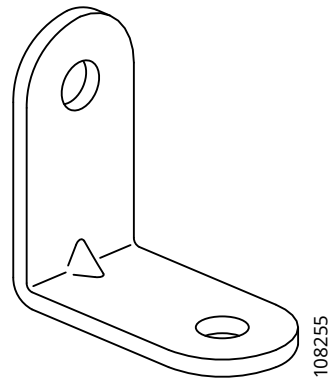
8x



2x



2x



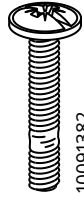
4x

# 3



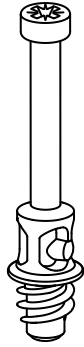
194867

6x



10091382

6x



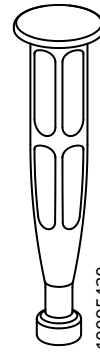
139615

12x



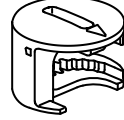
110630

12x



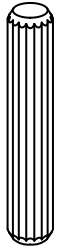
10095420

12x



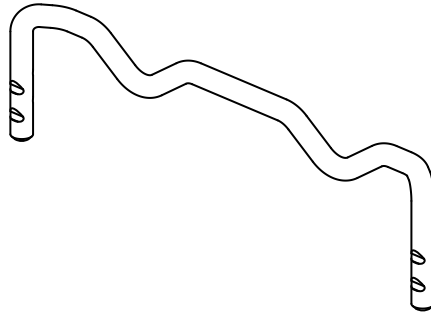
119030

12x



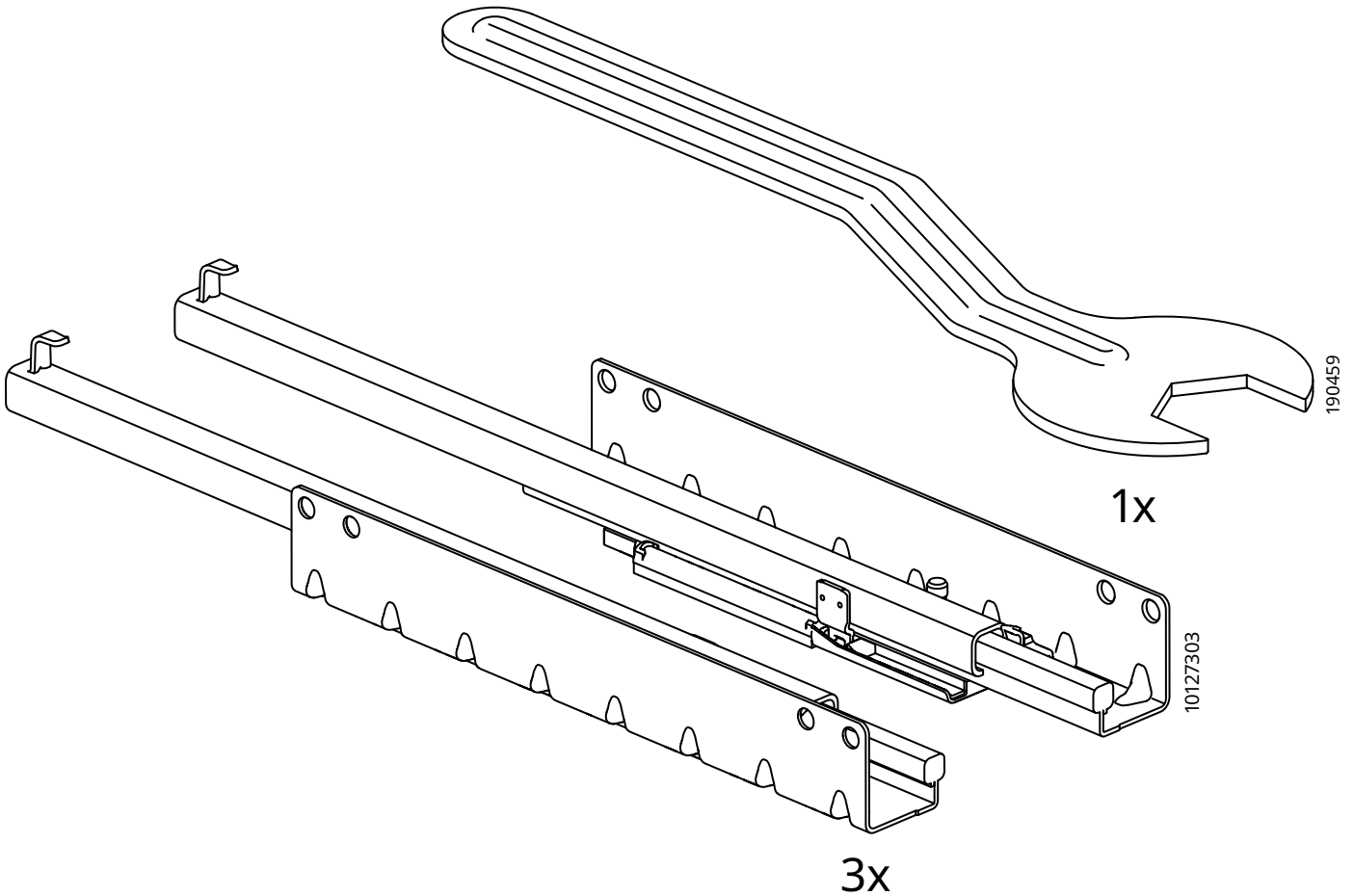
101345

10x

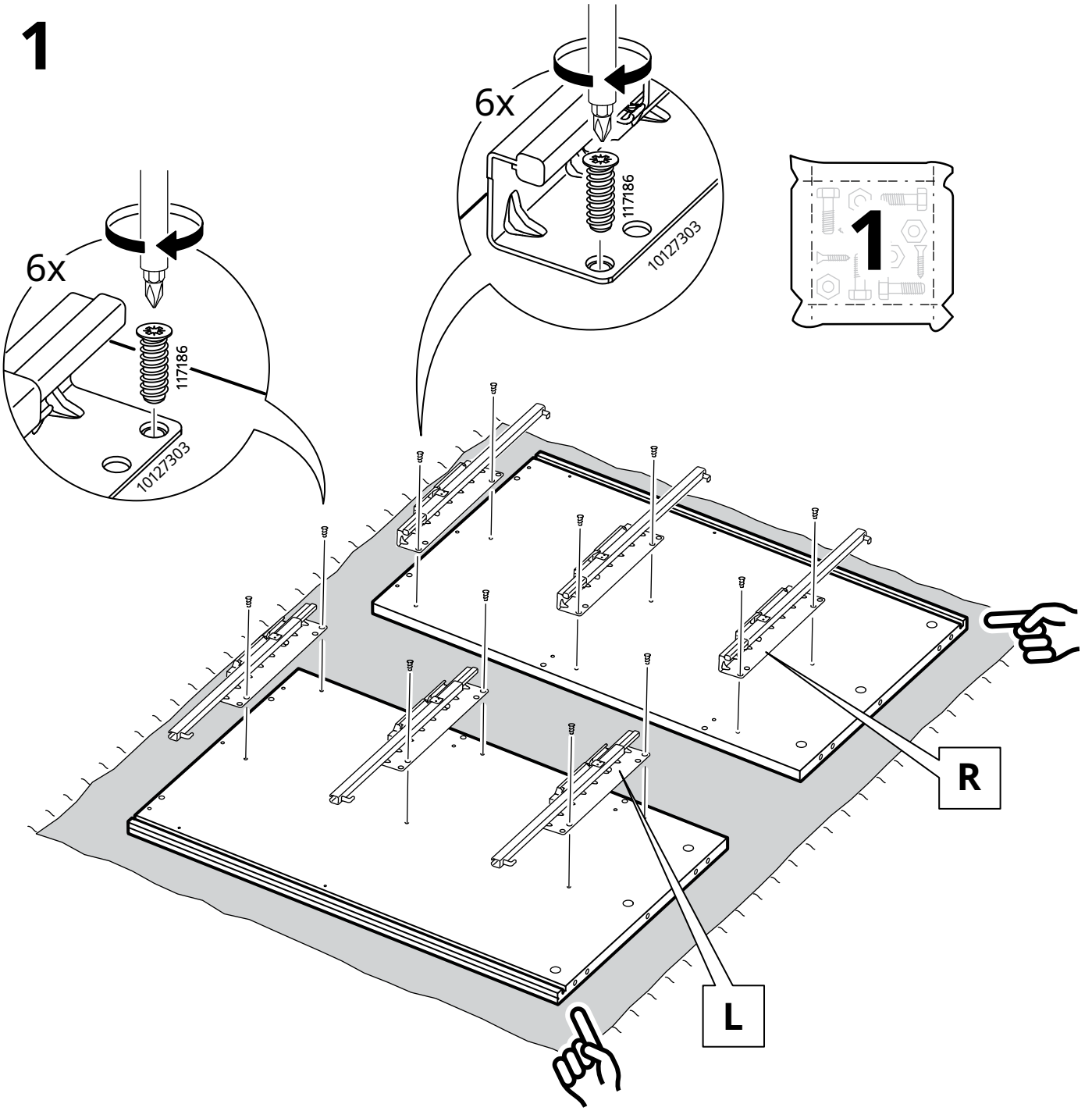


10040242

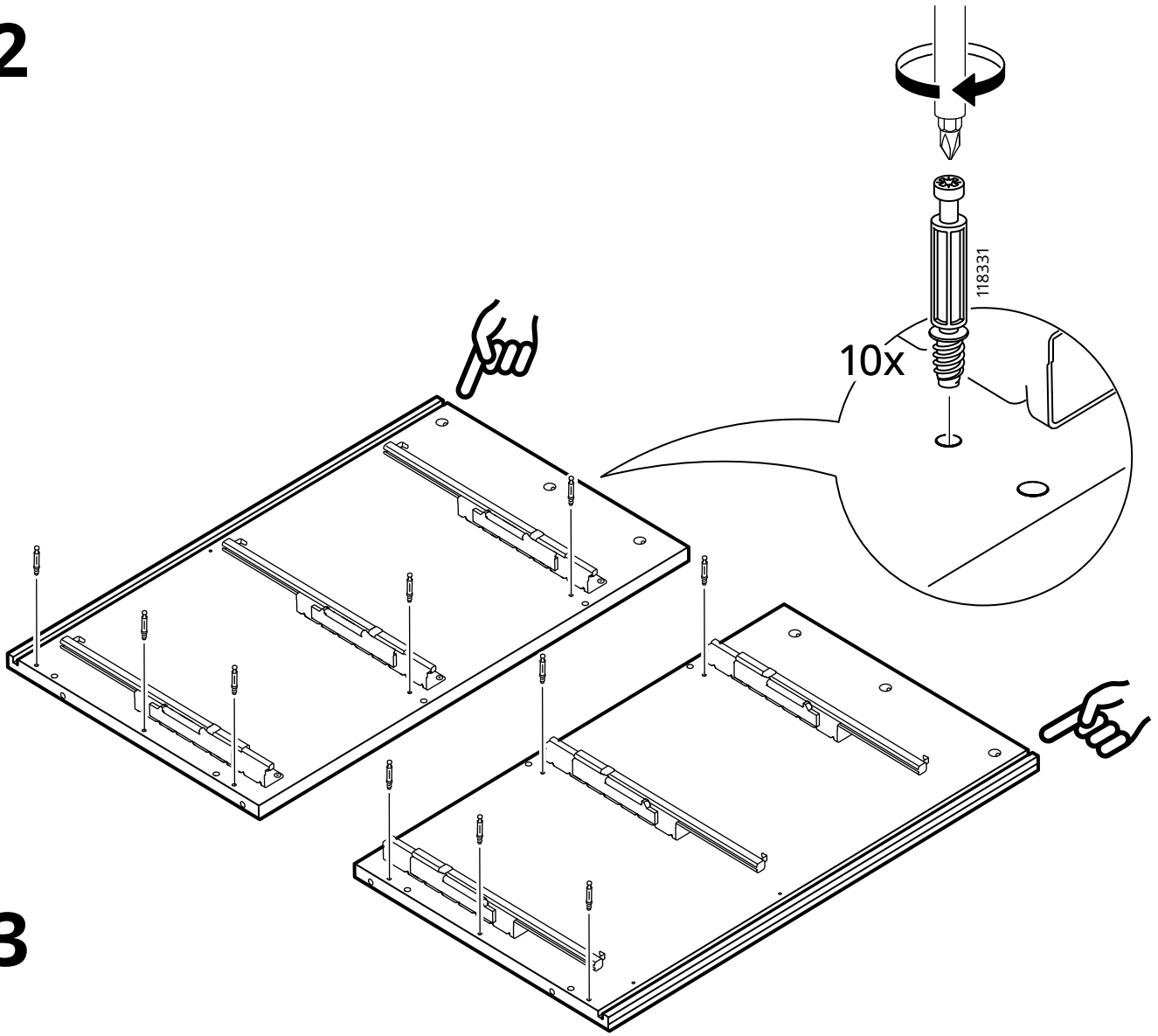
3x



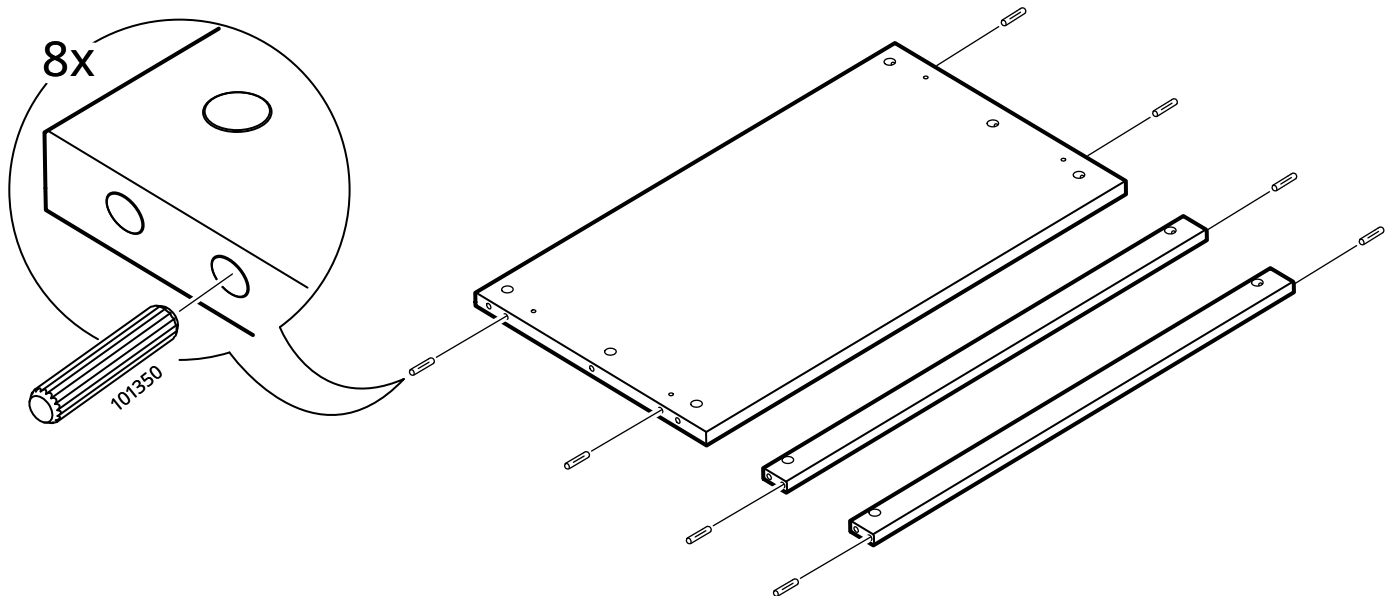
1



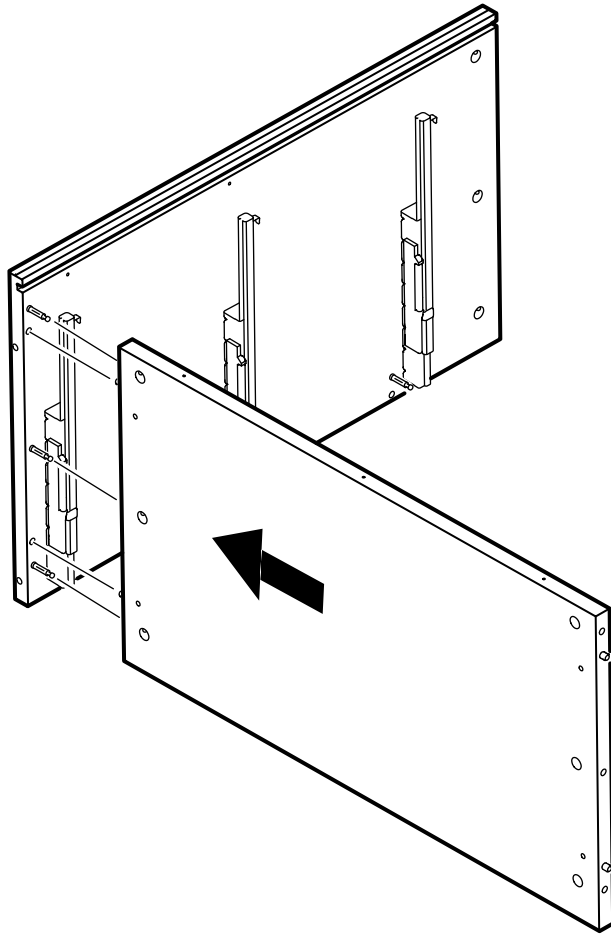
2



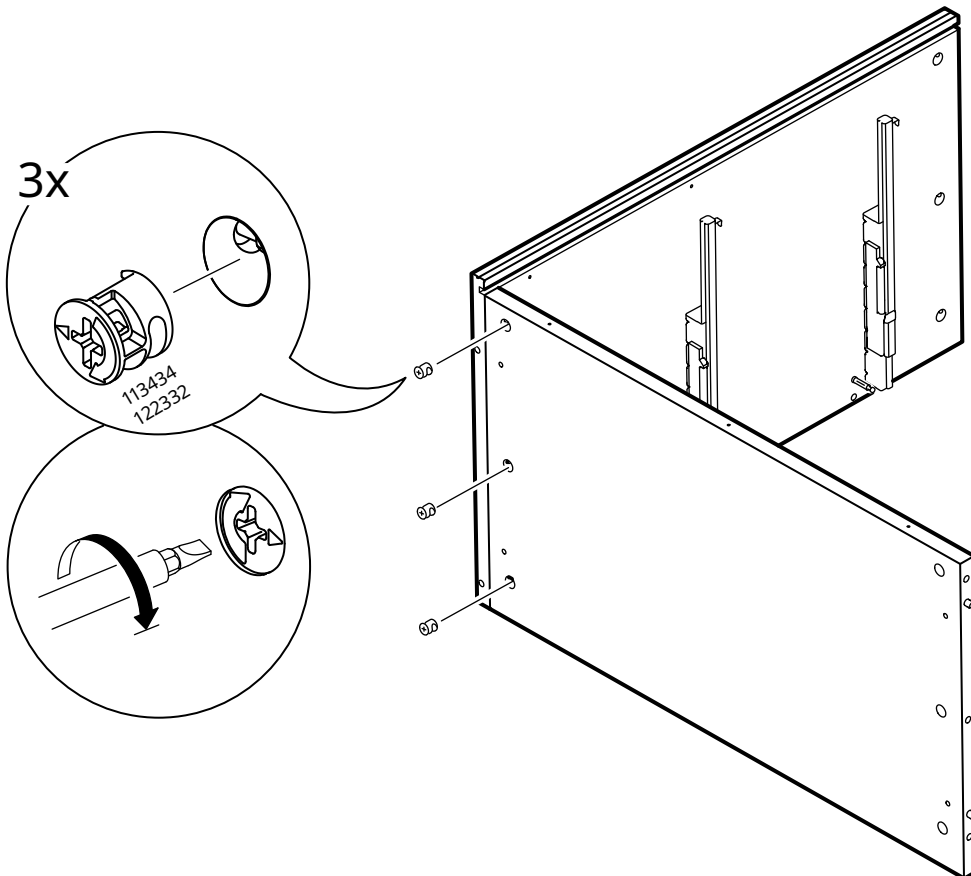
3



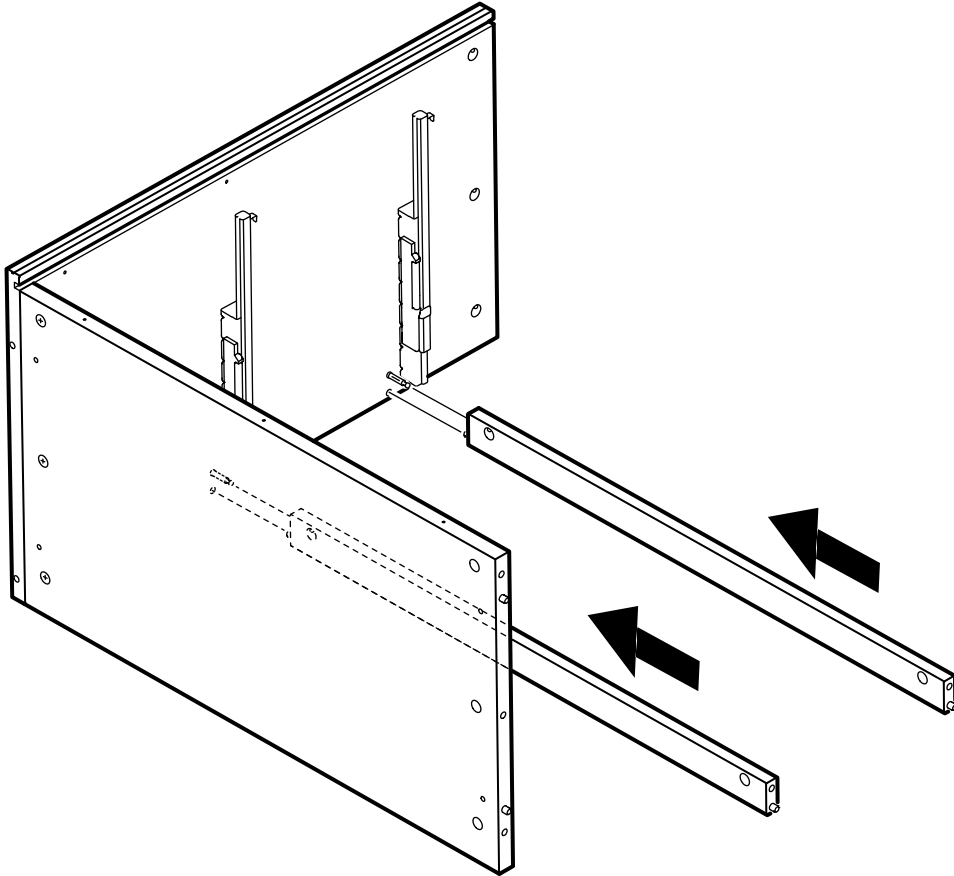
4



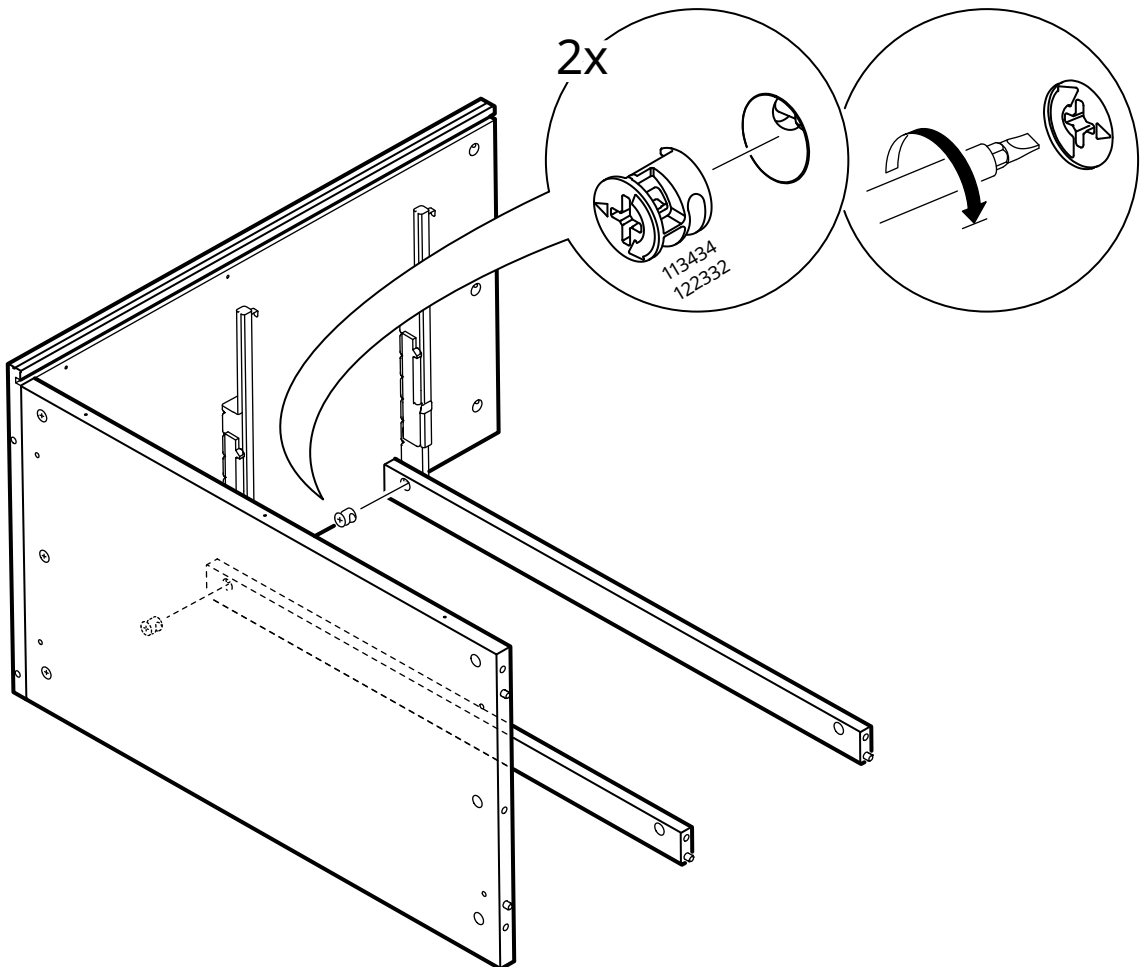
5



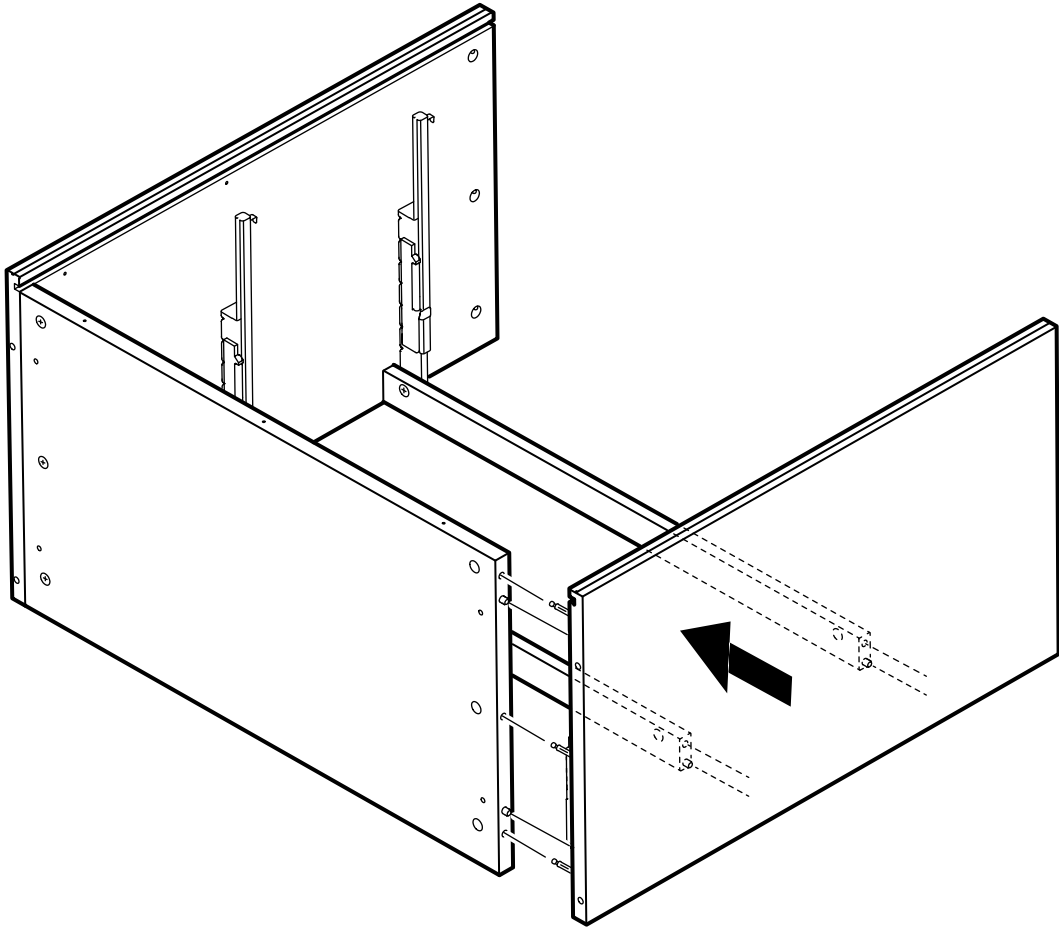
6



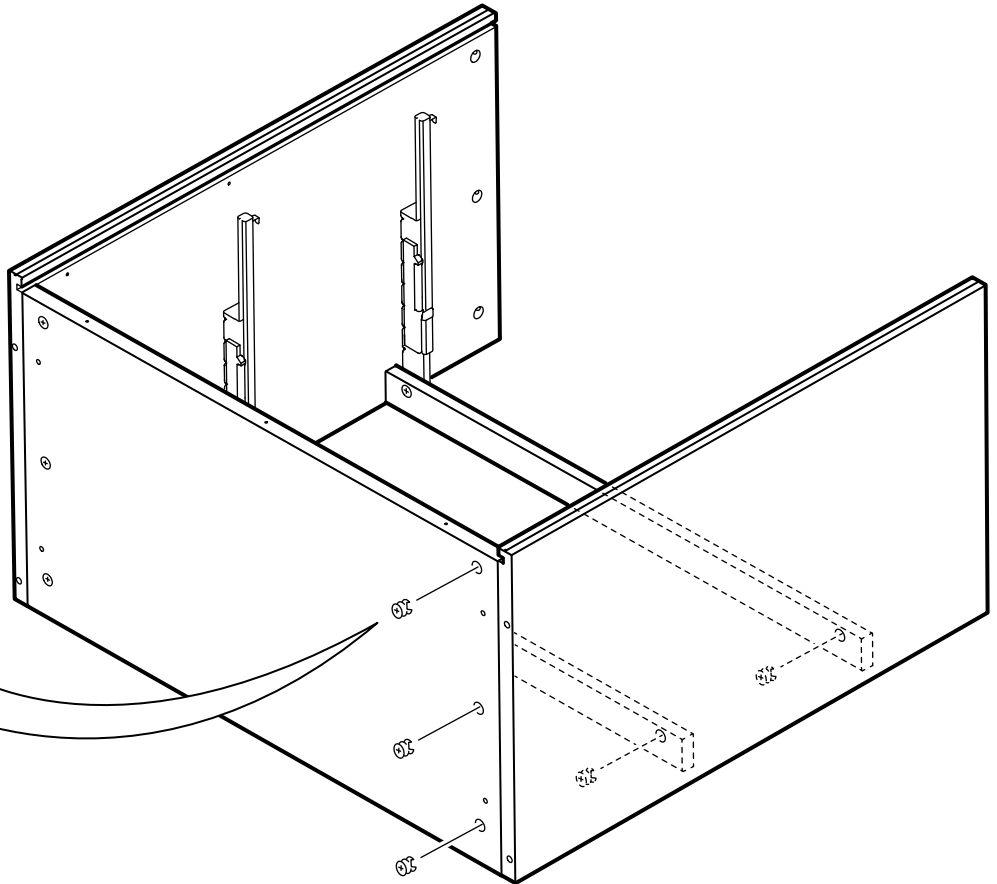
7



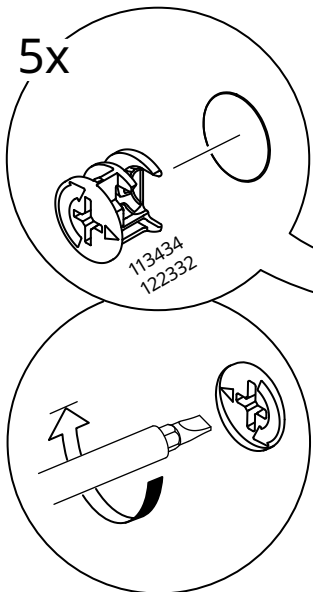
8



9

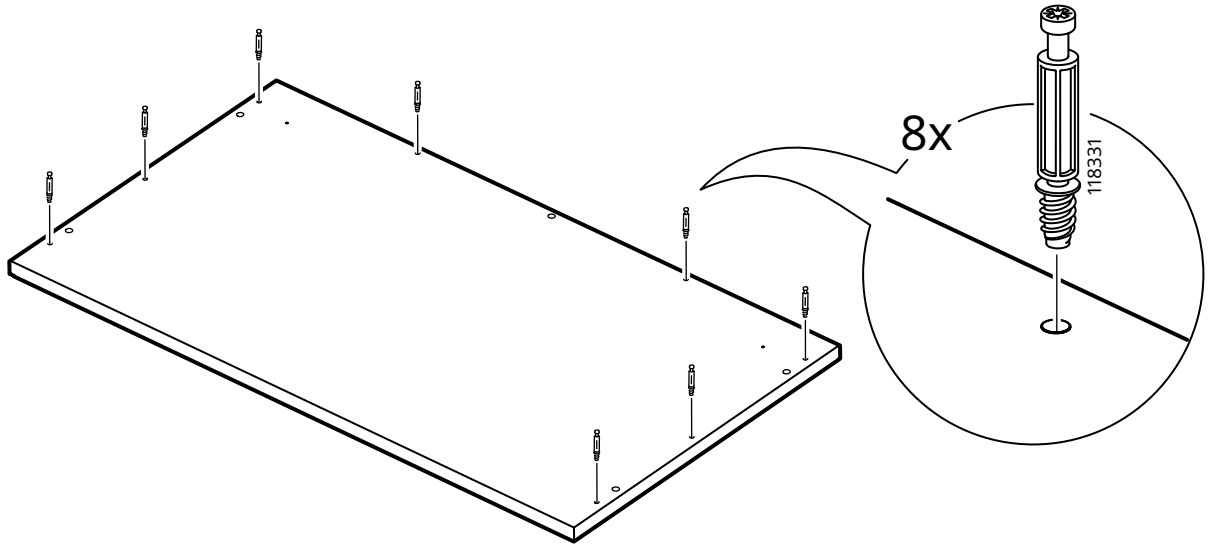


5x

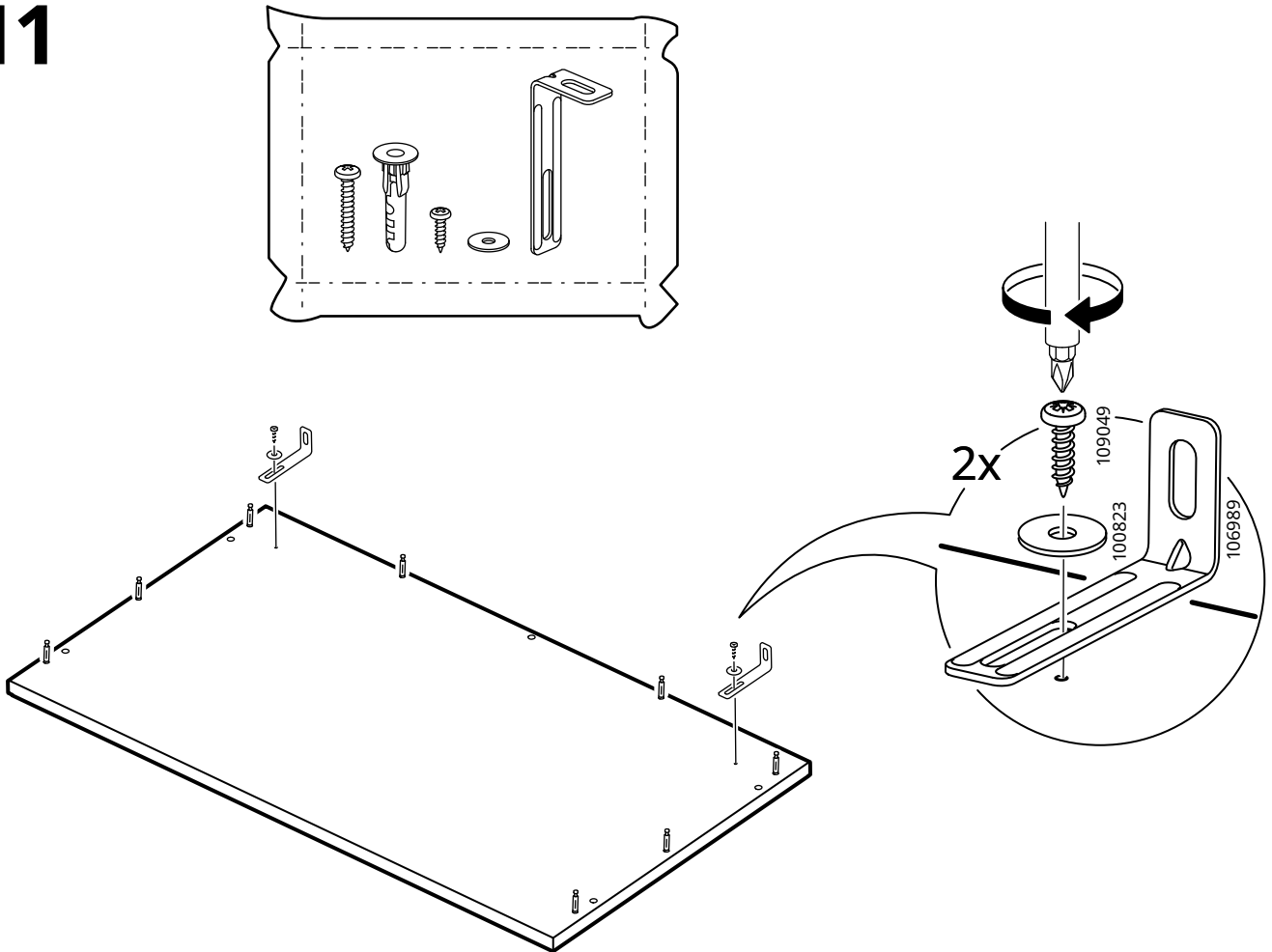


113434  
122332

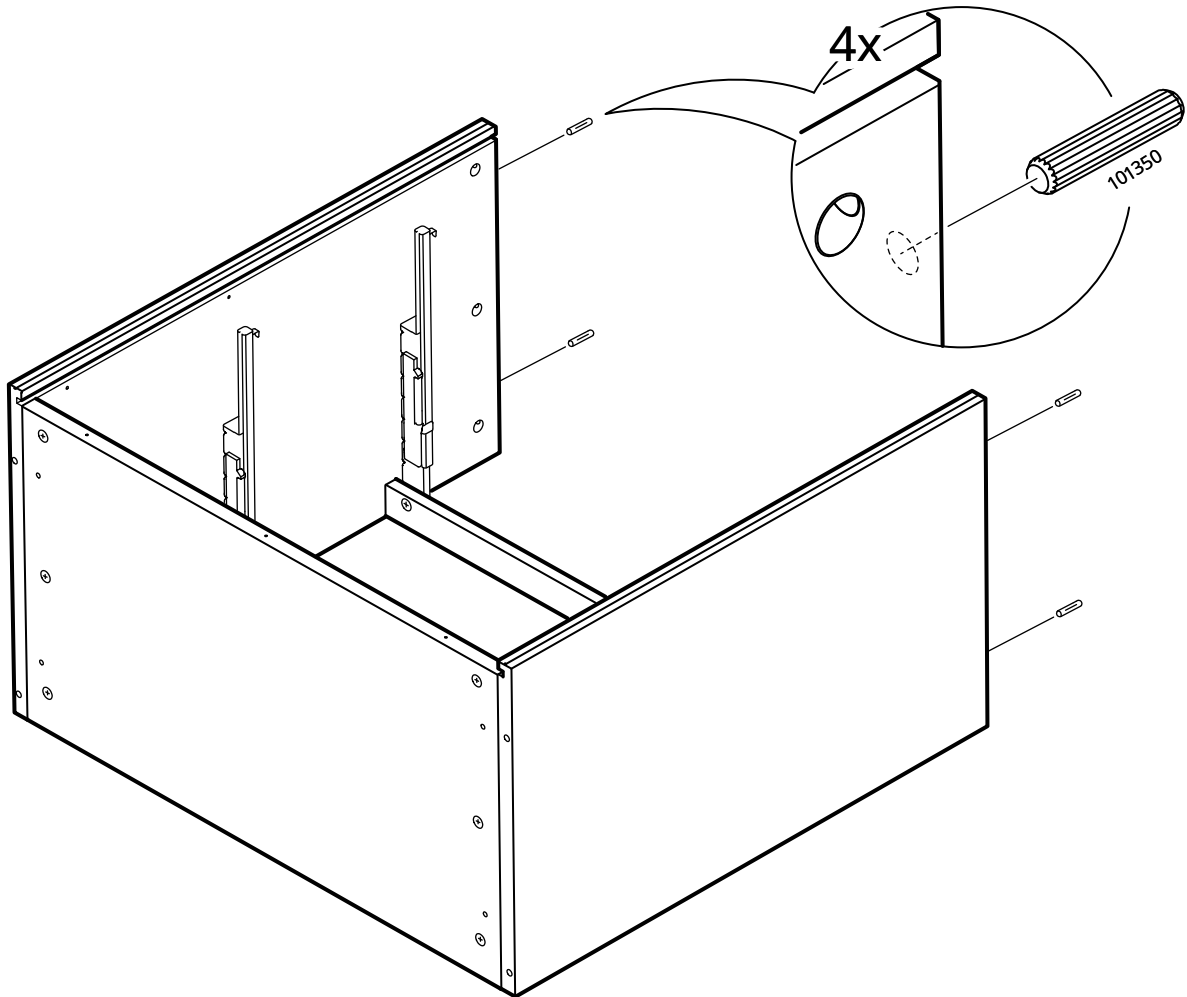
# 10



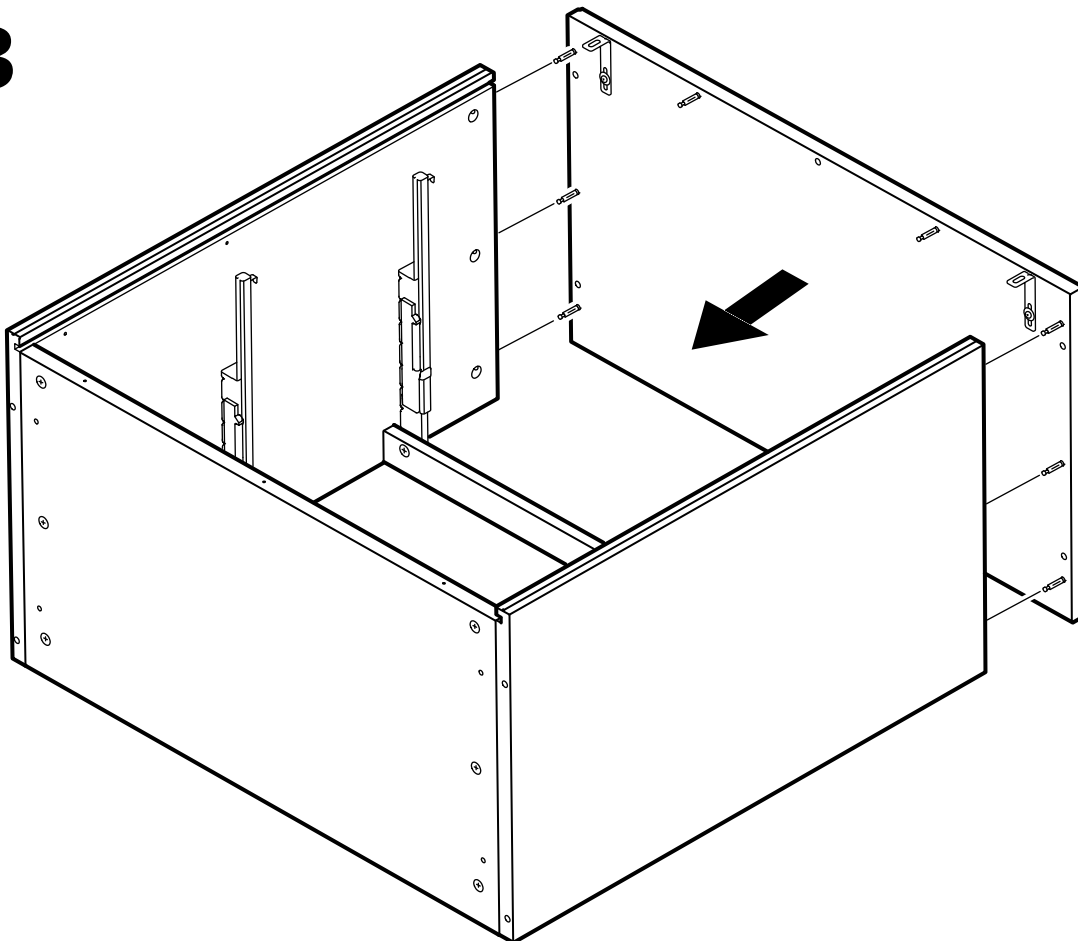
# 11



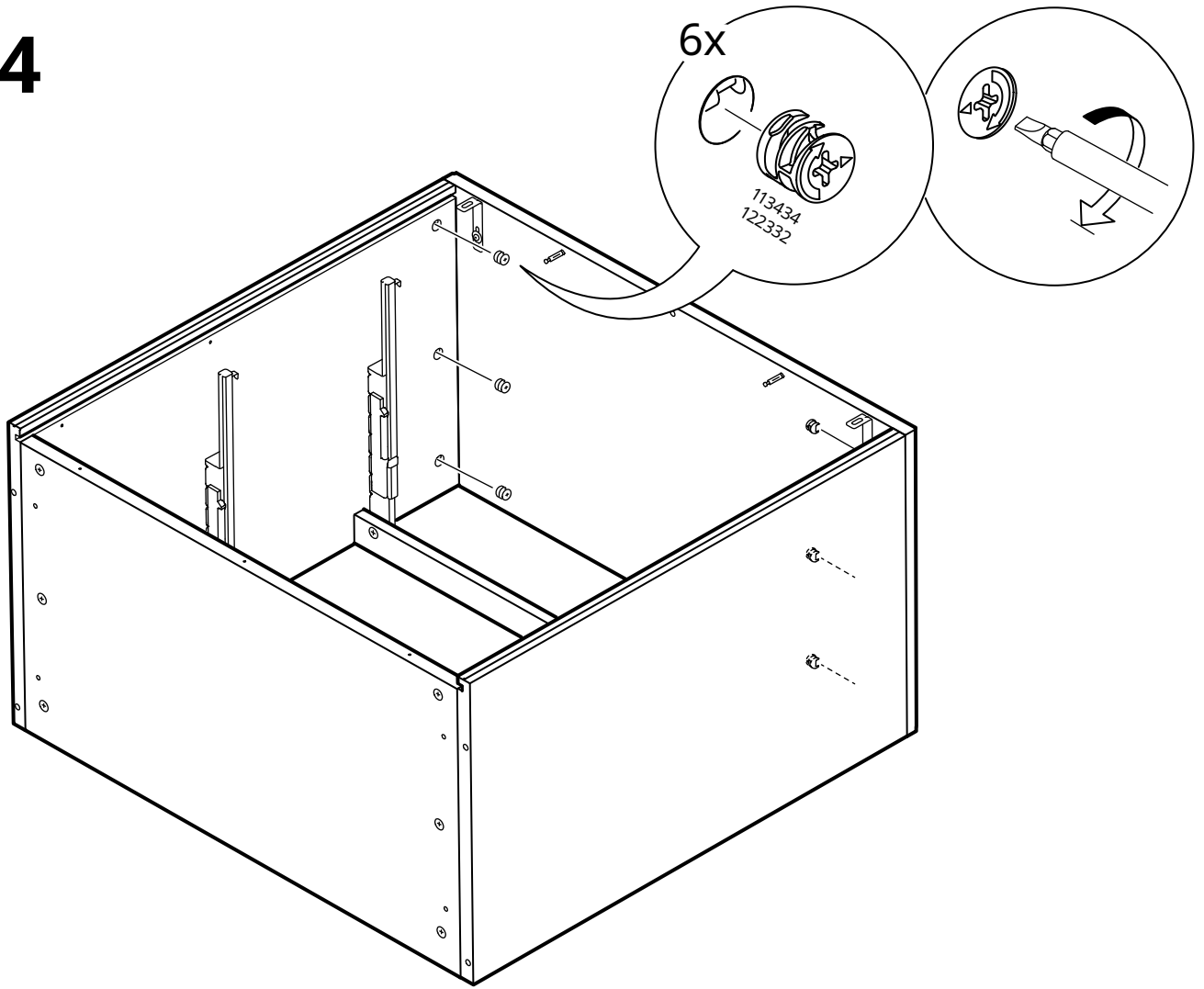
12



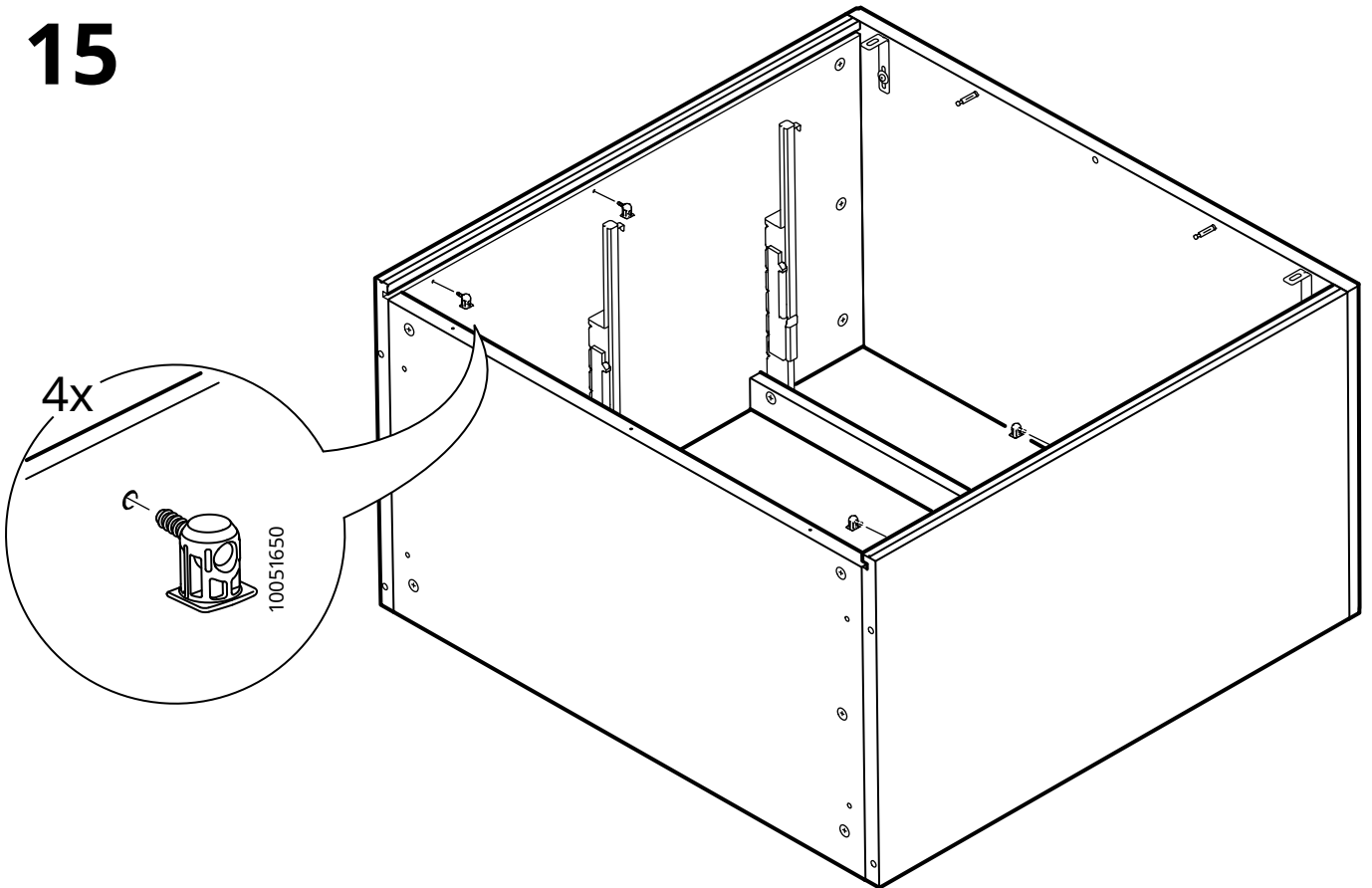
13



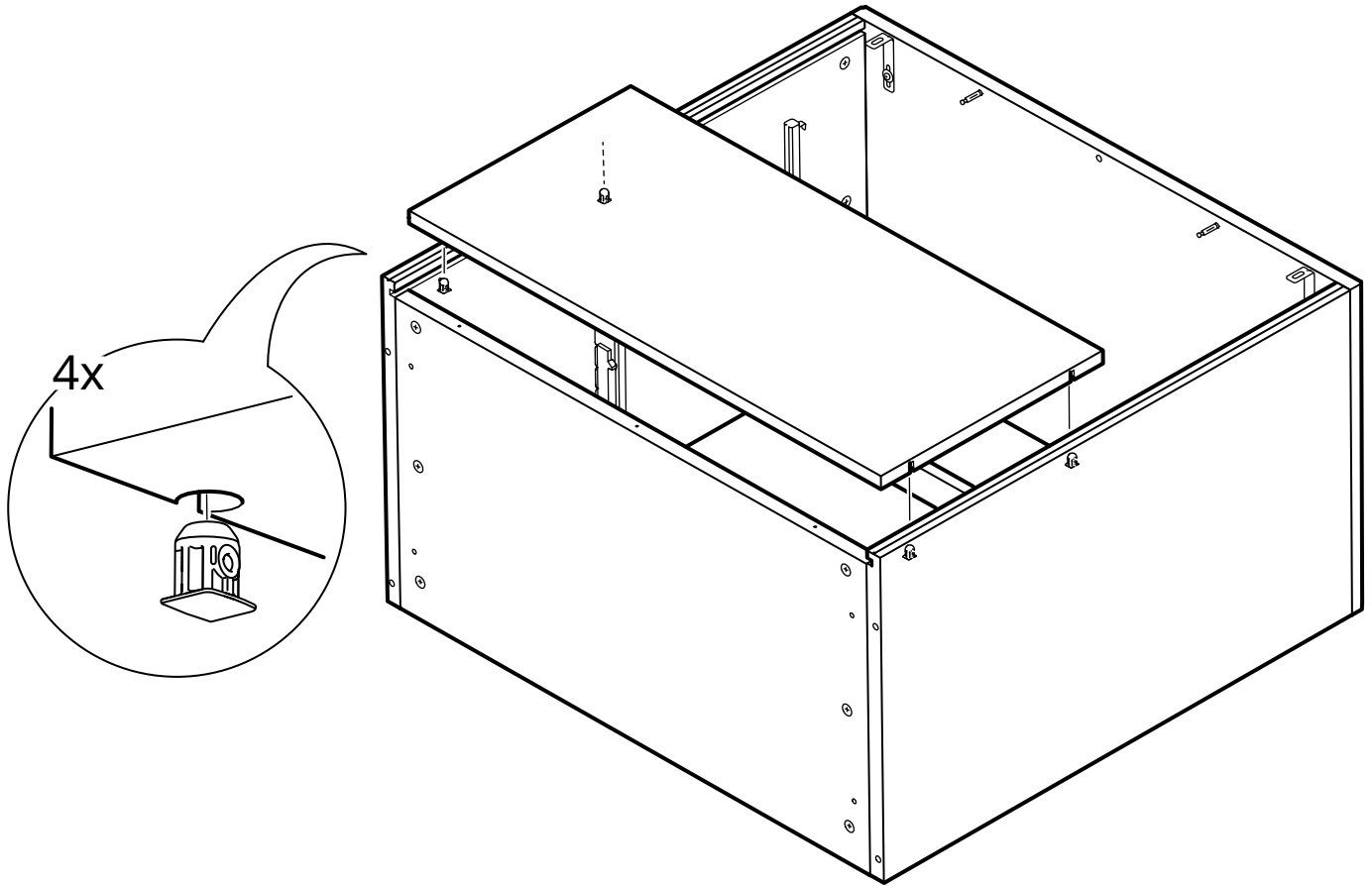
# 14



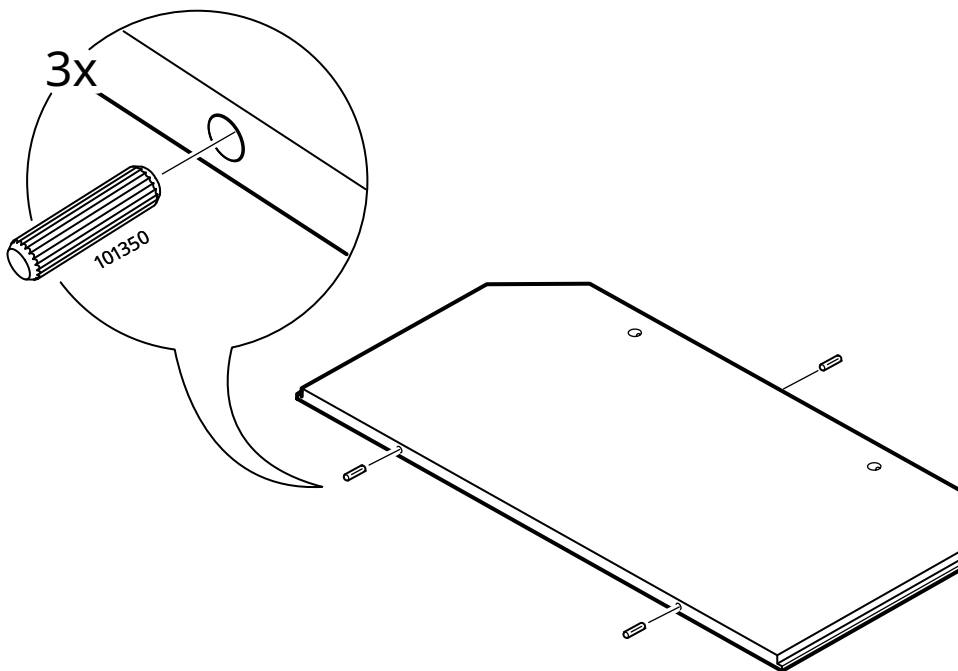
# 15



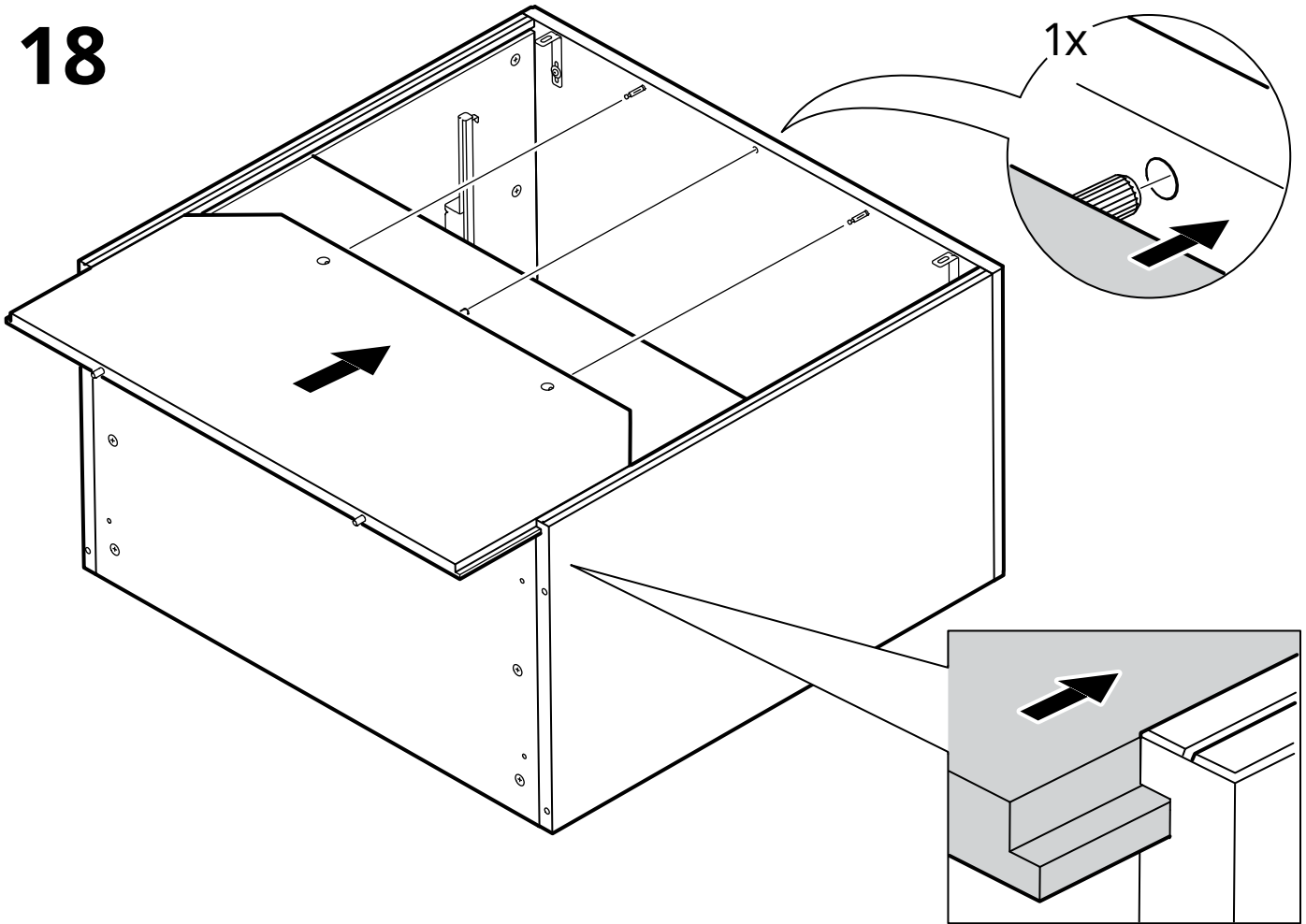
# 16



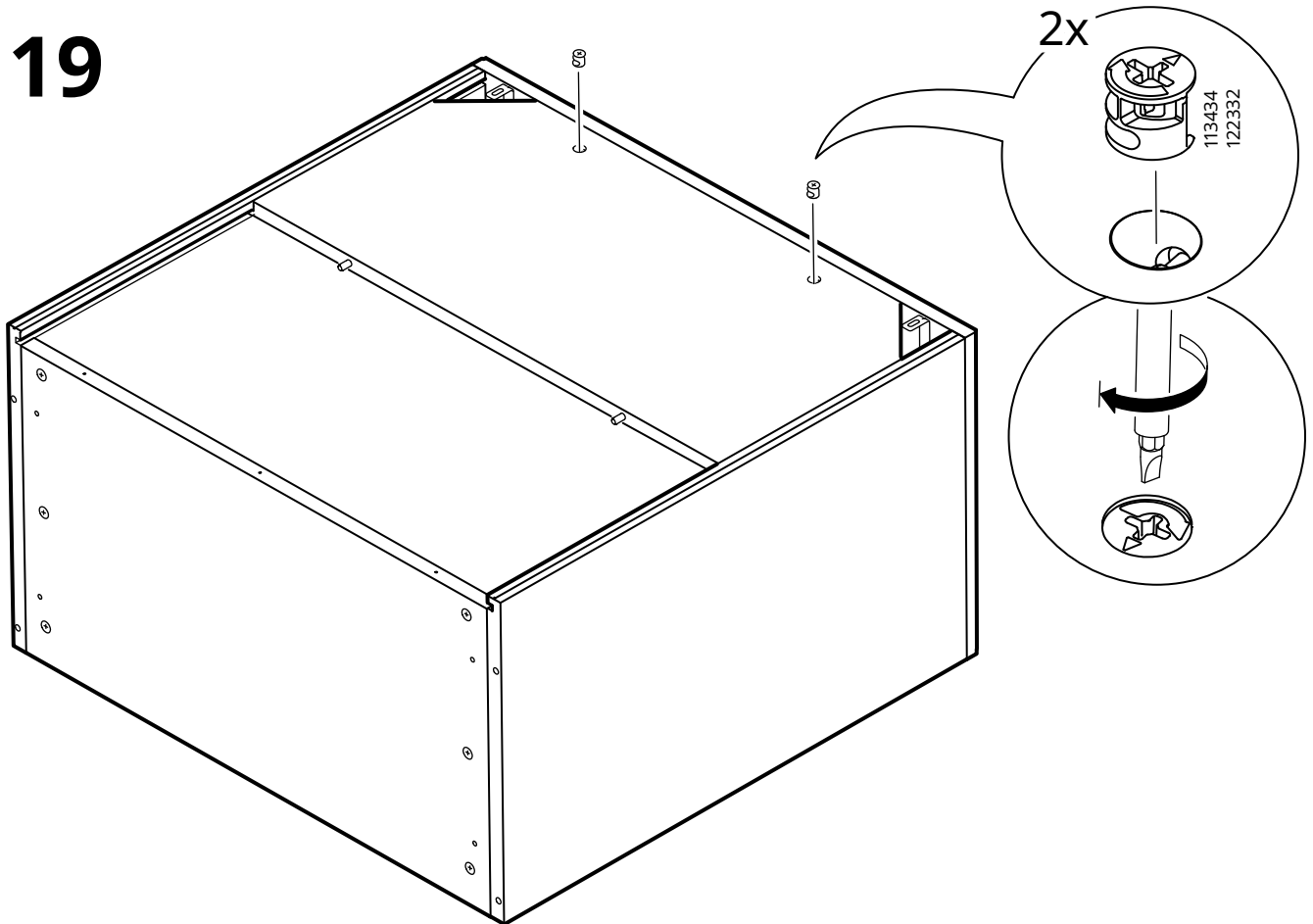
# 17



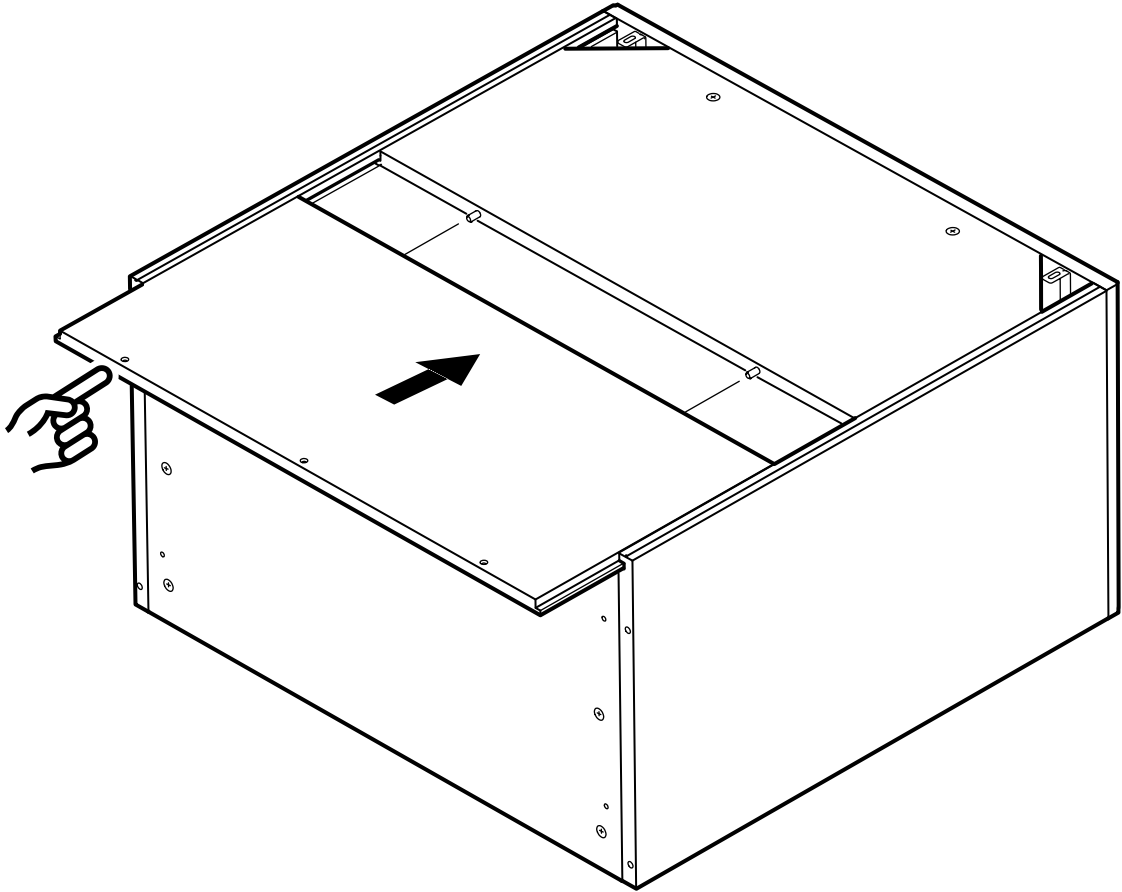
18



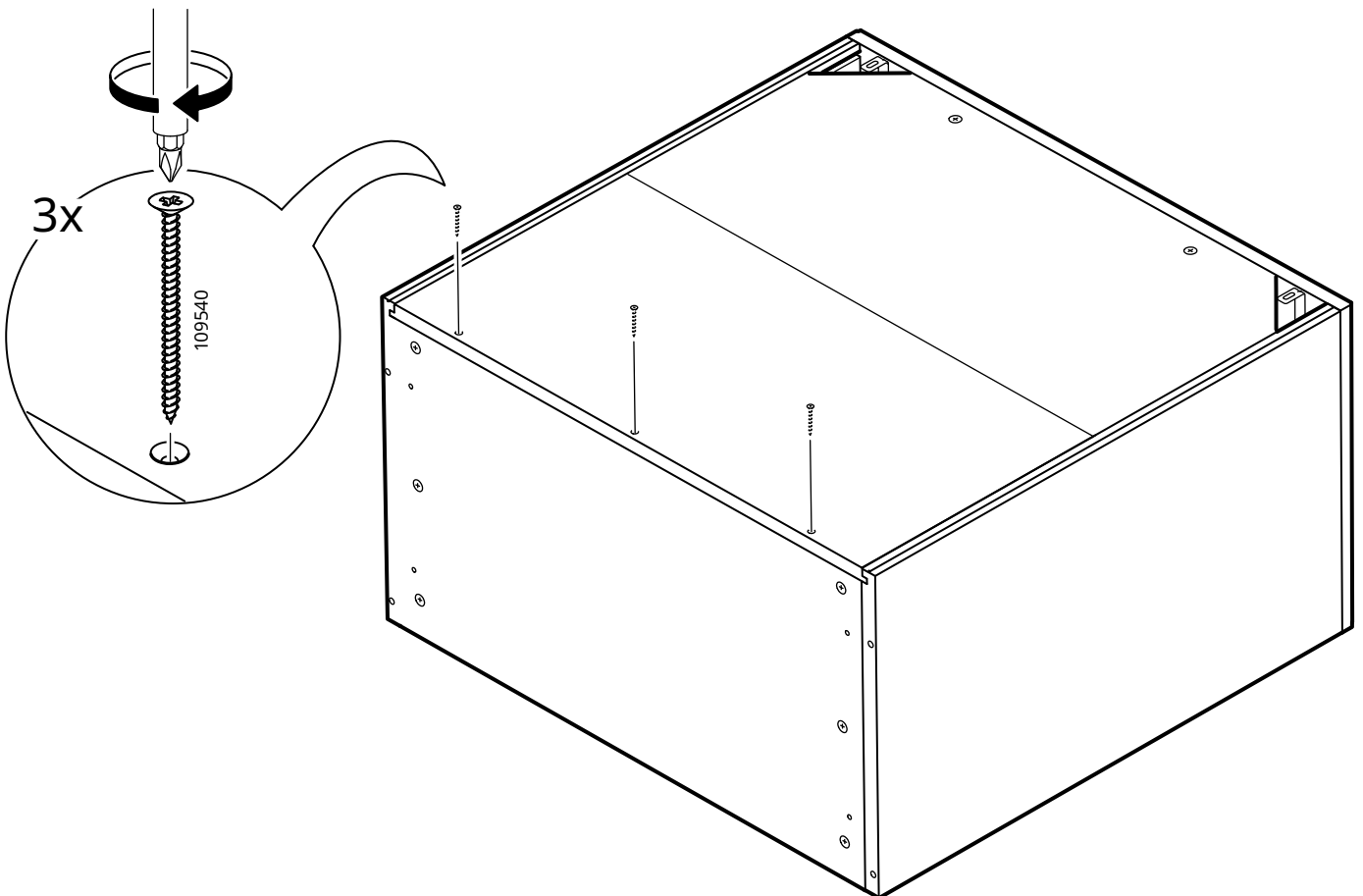
19



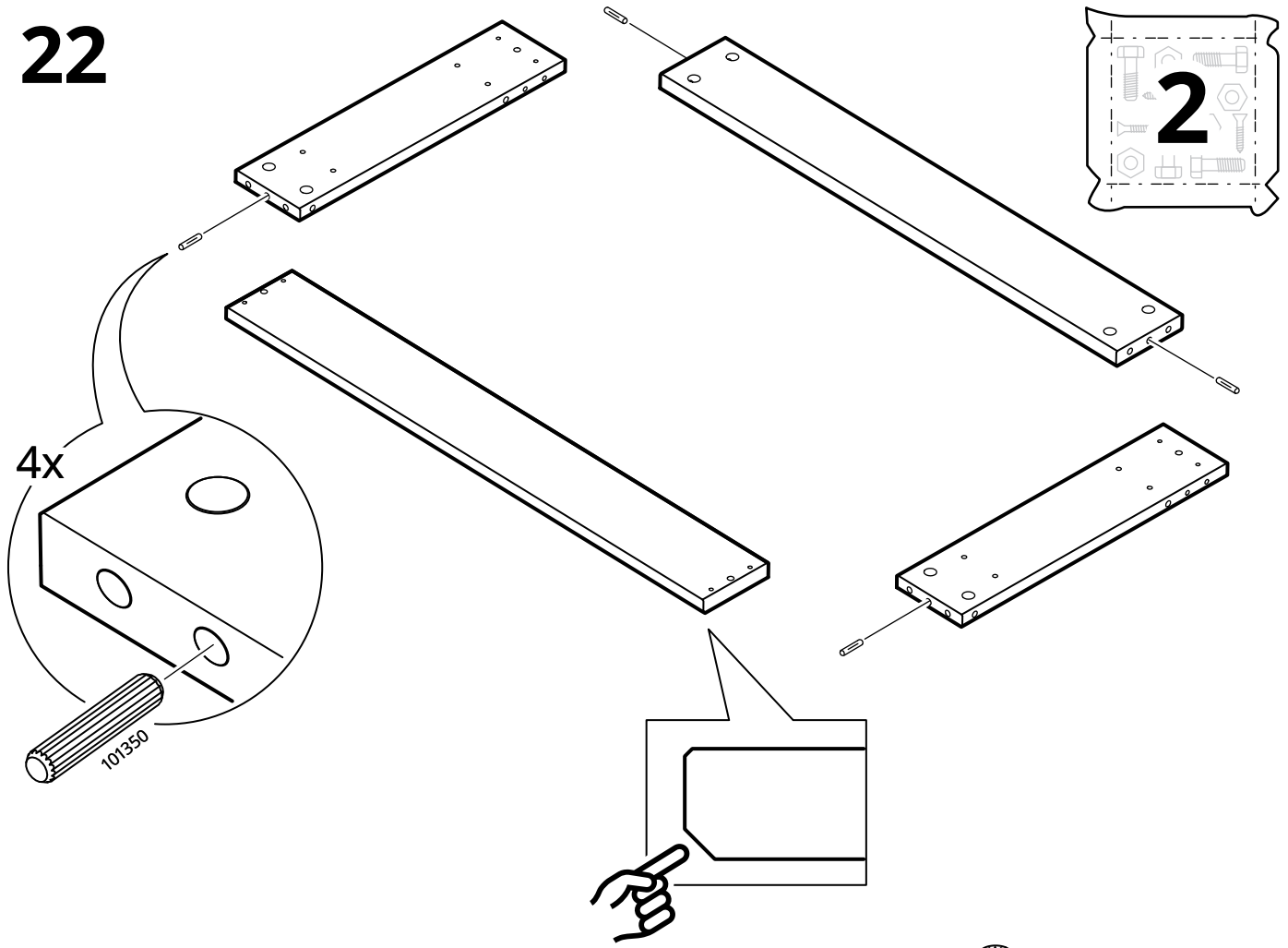
# 20



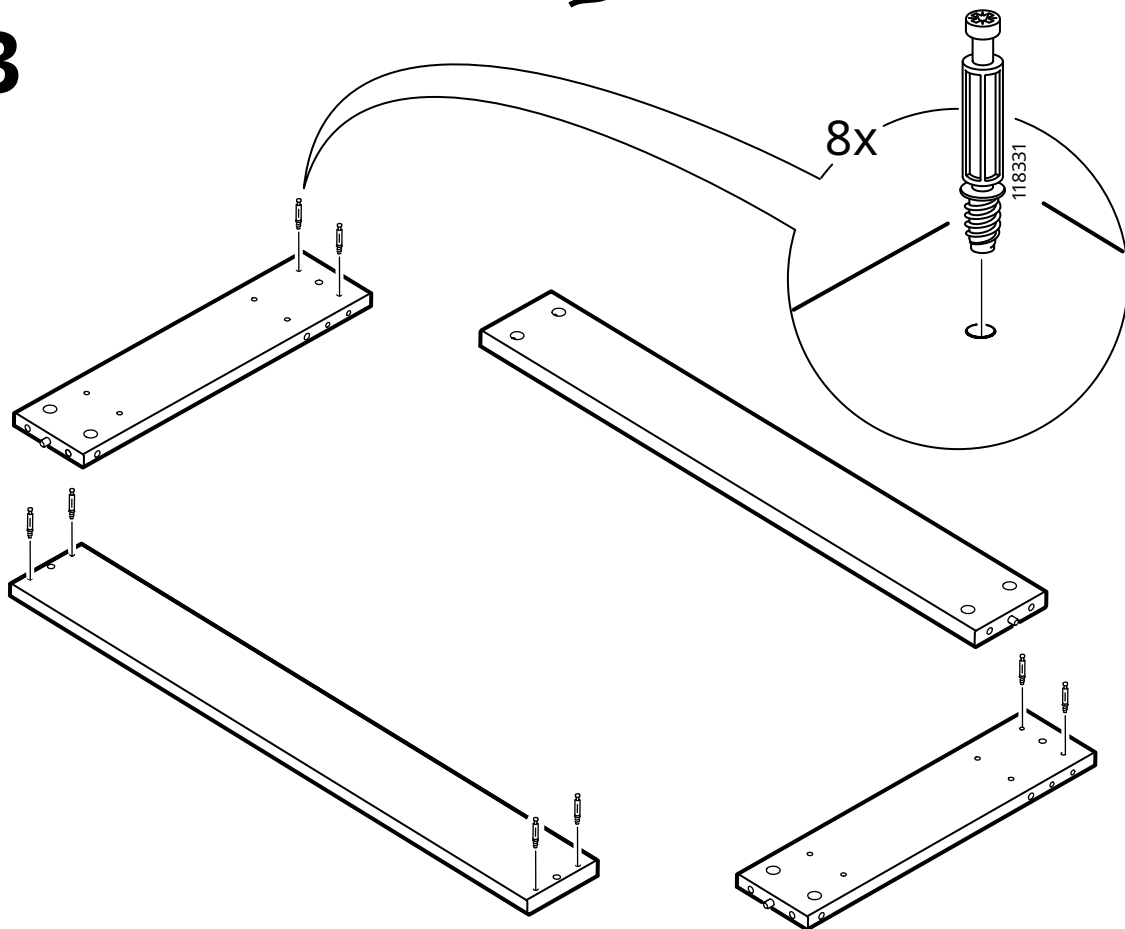
# 21



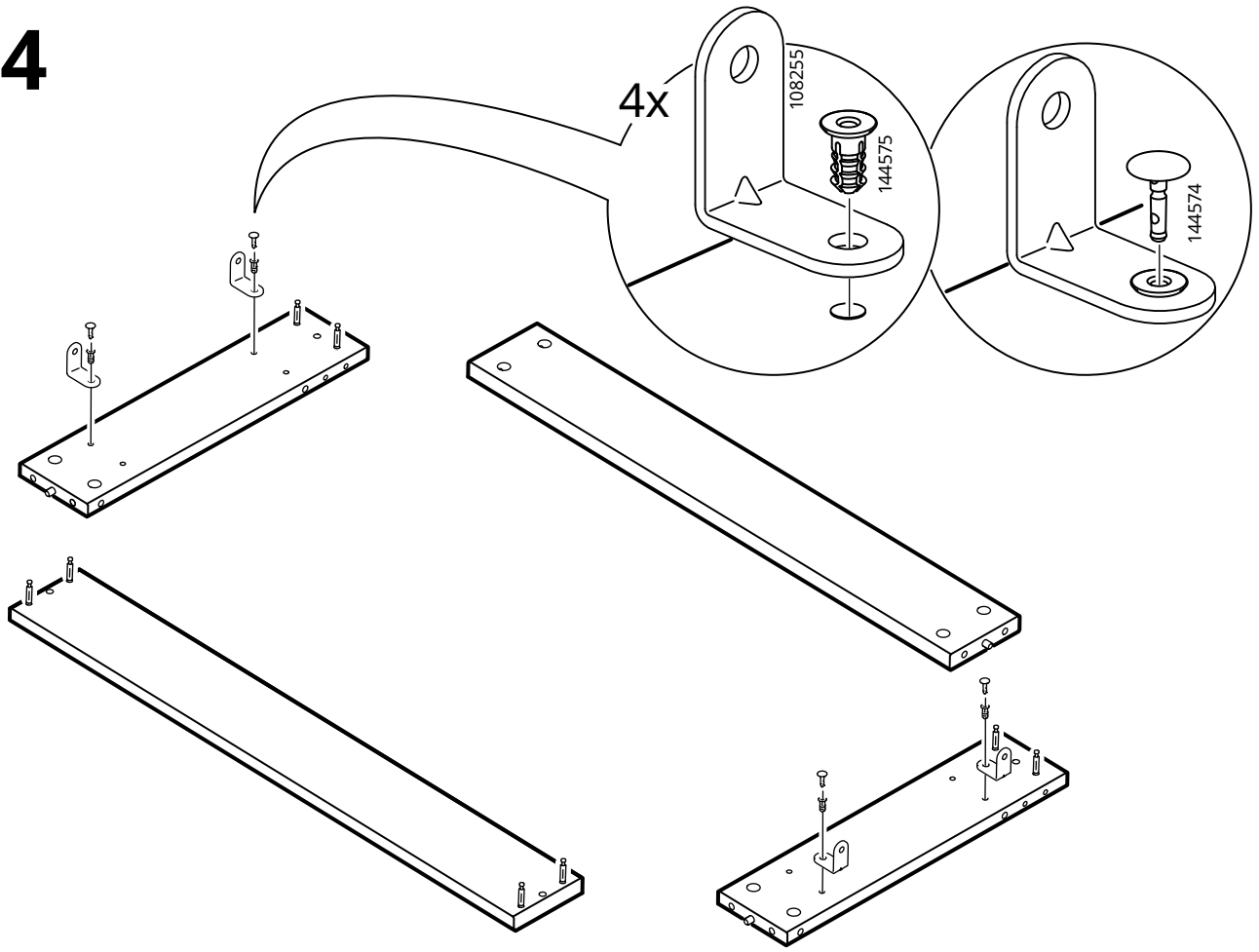
22



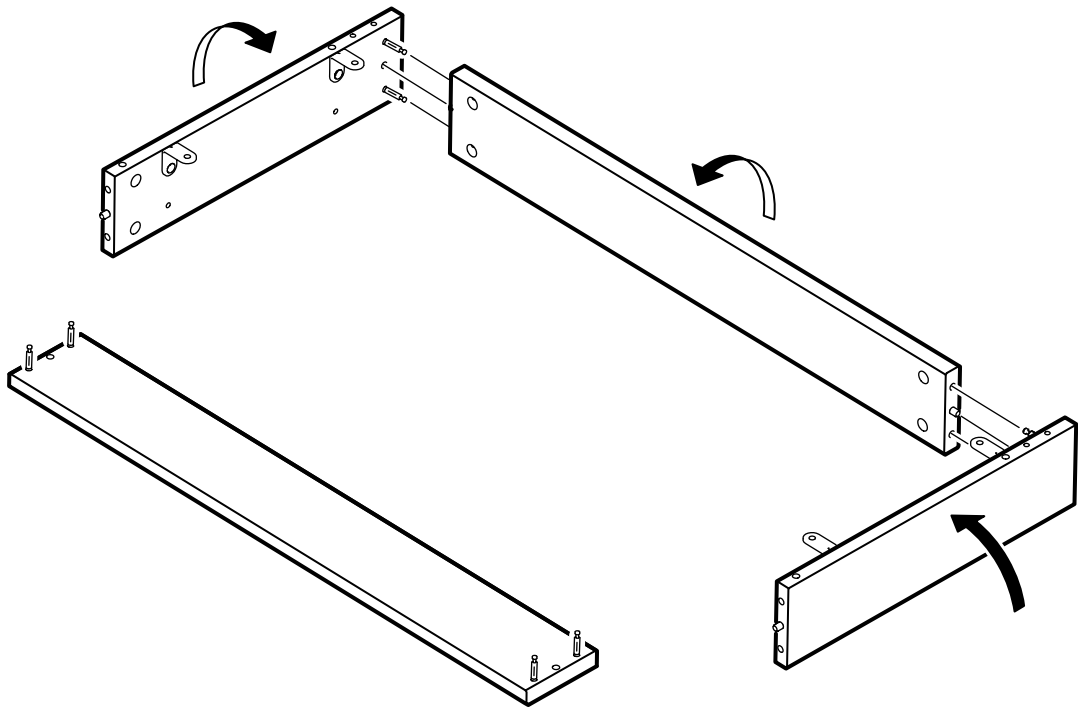
23



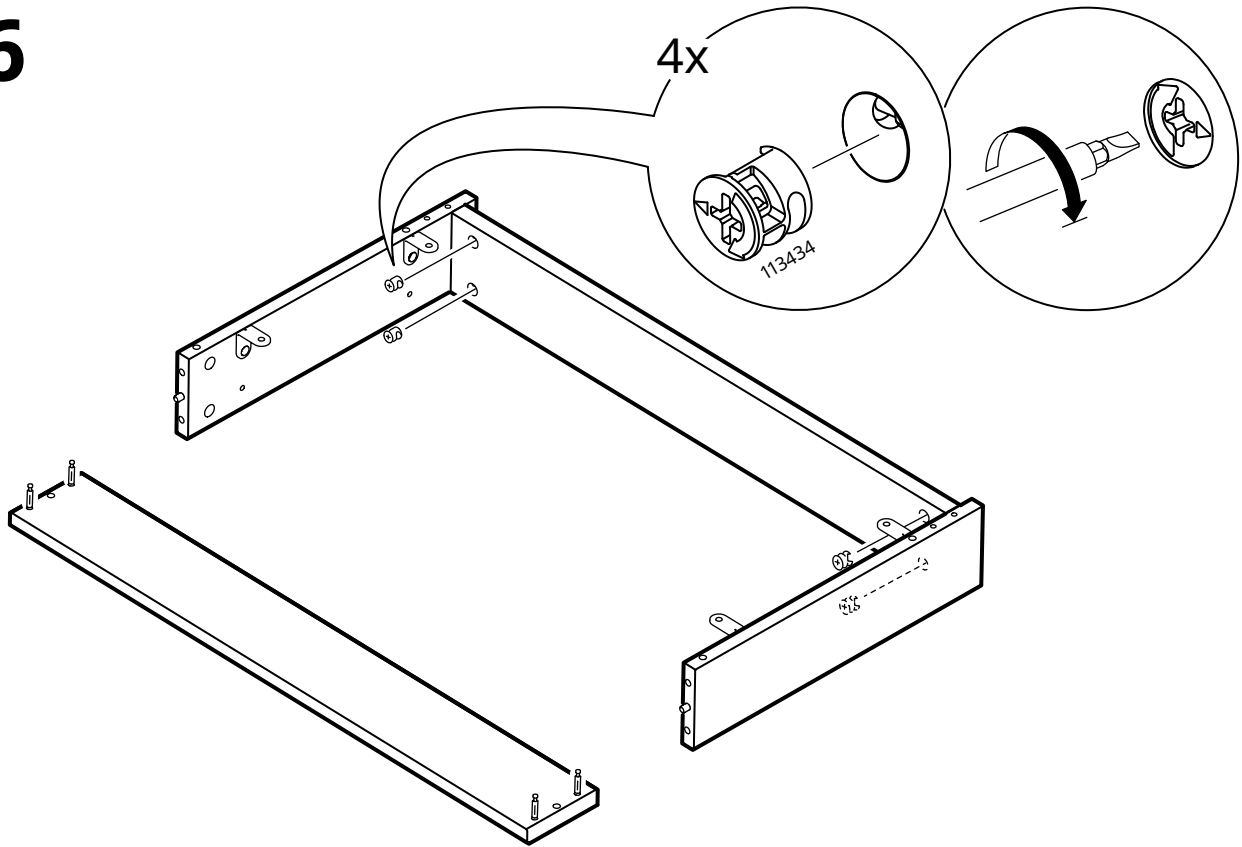
# 24



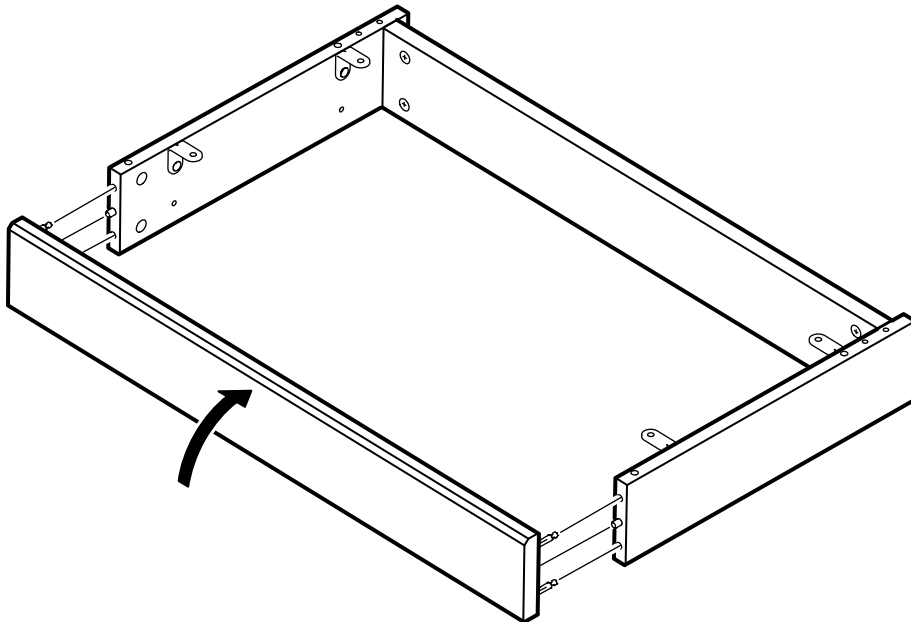
# 25



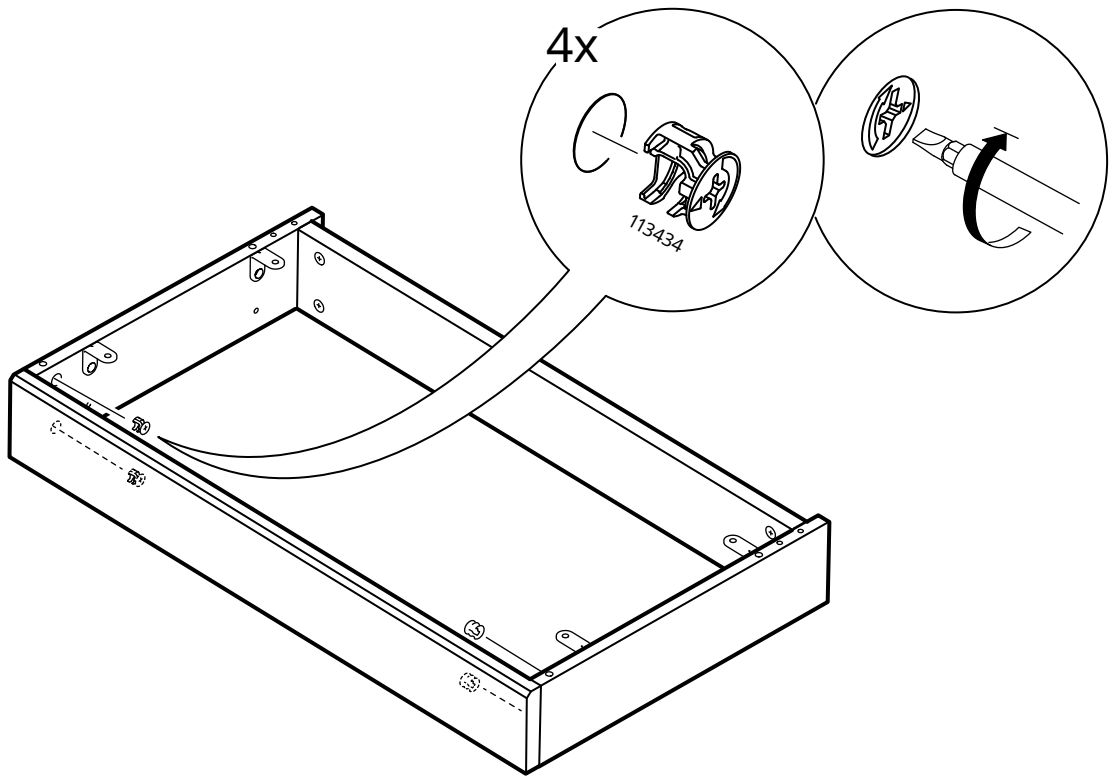
# 26



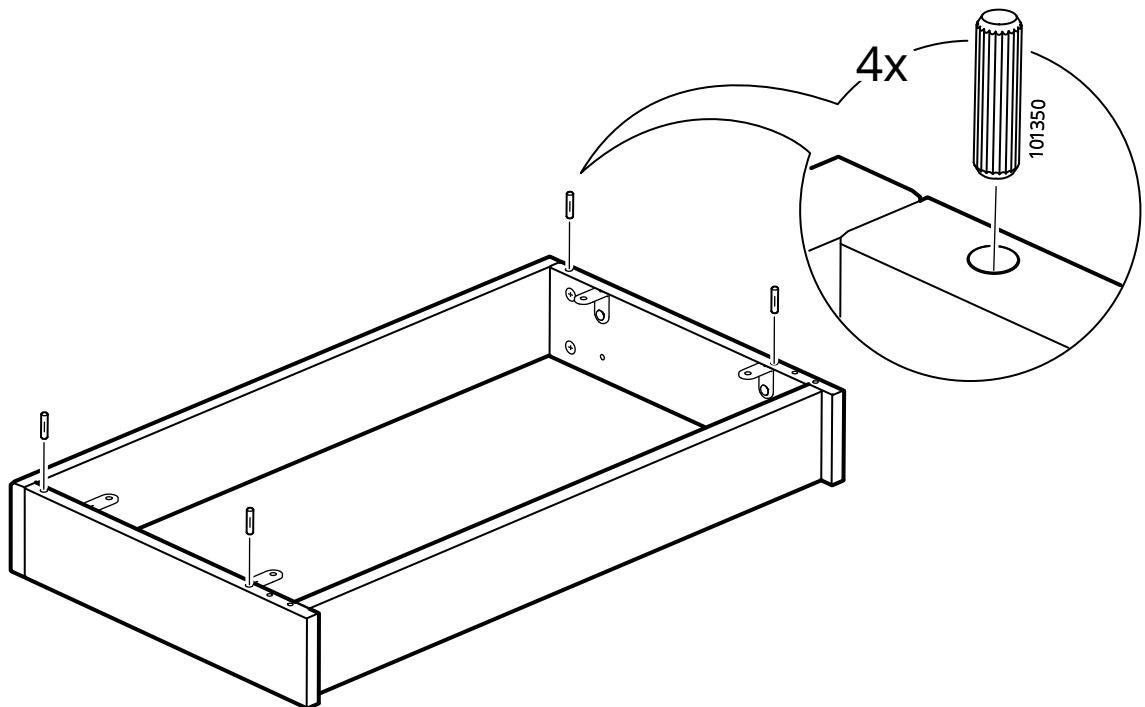
# 27

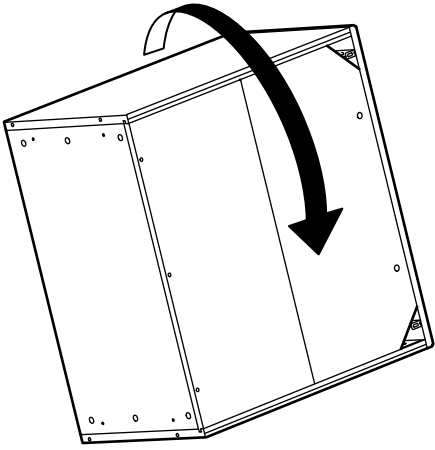


28

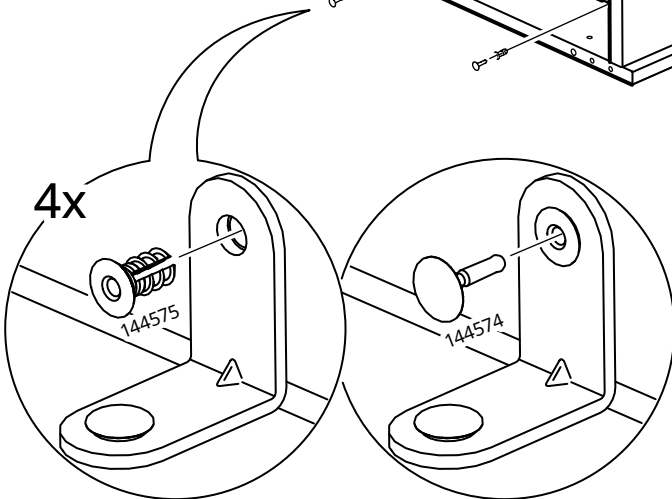
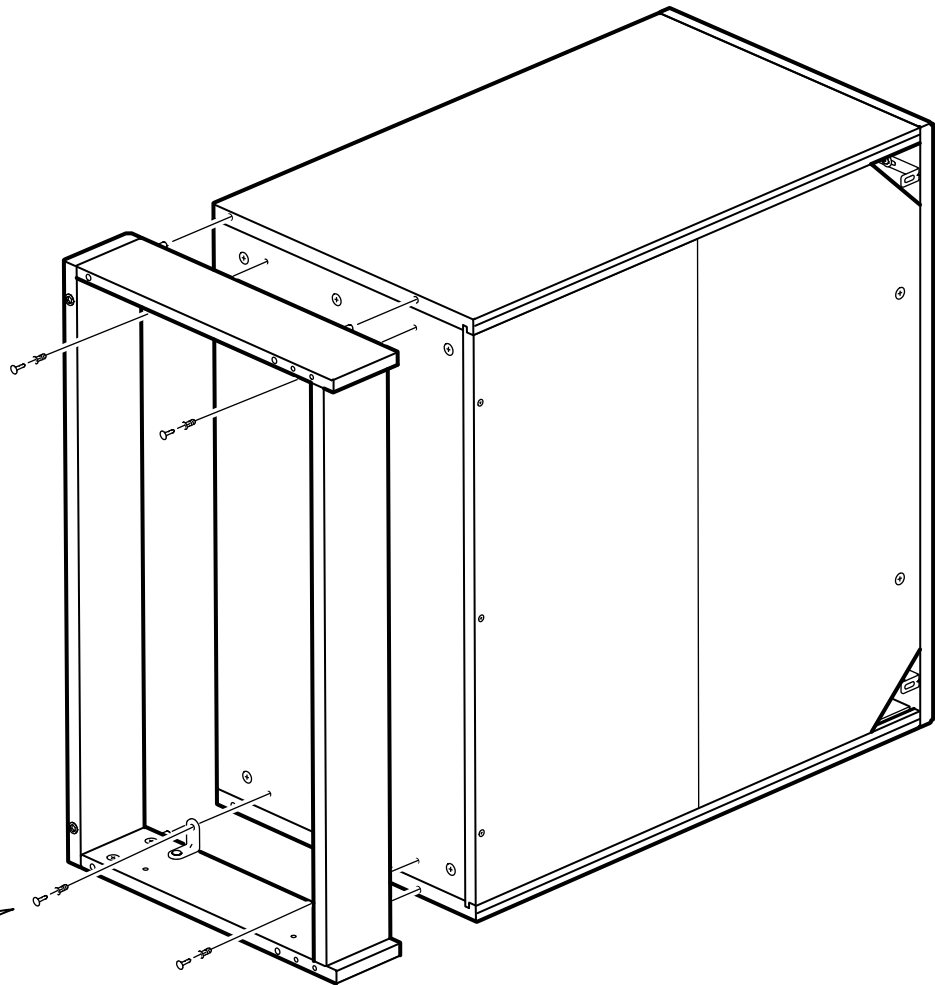


29

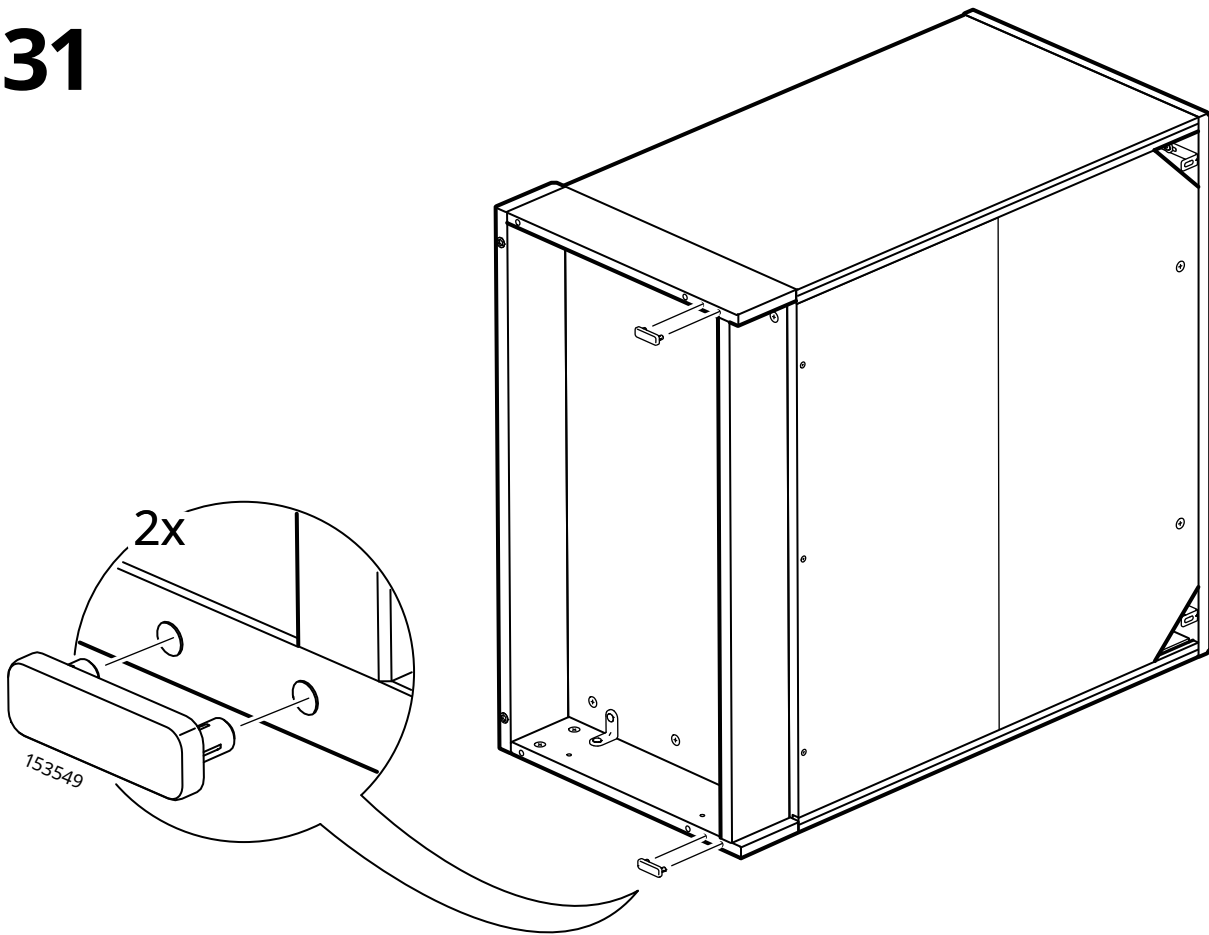




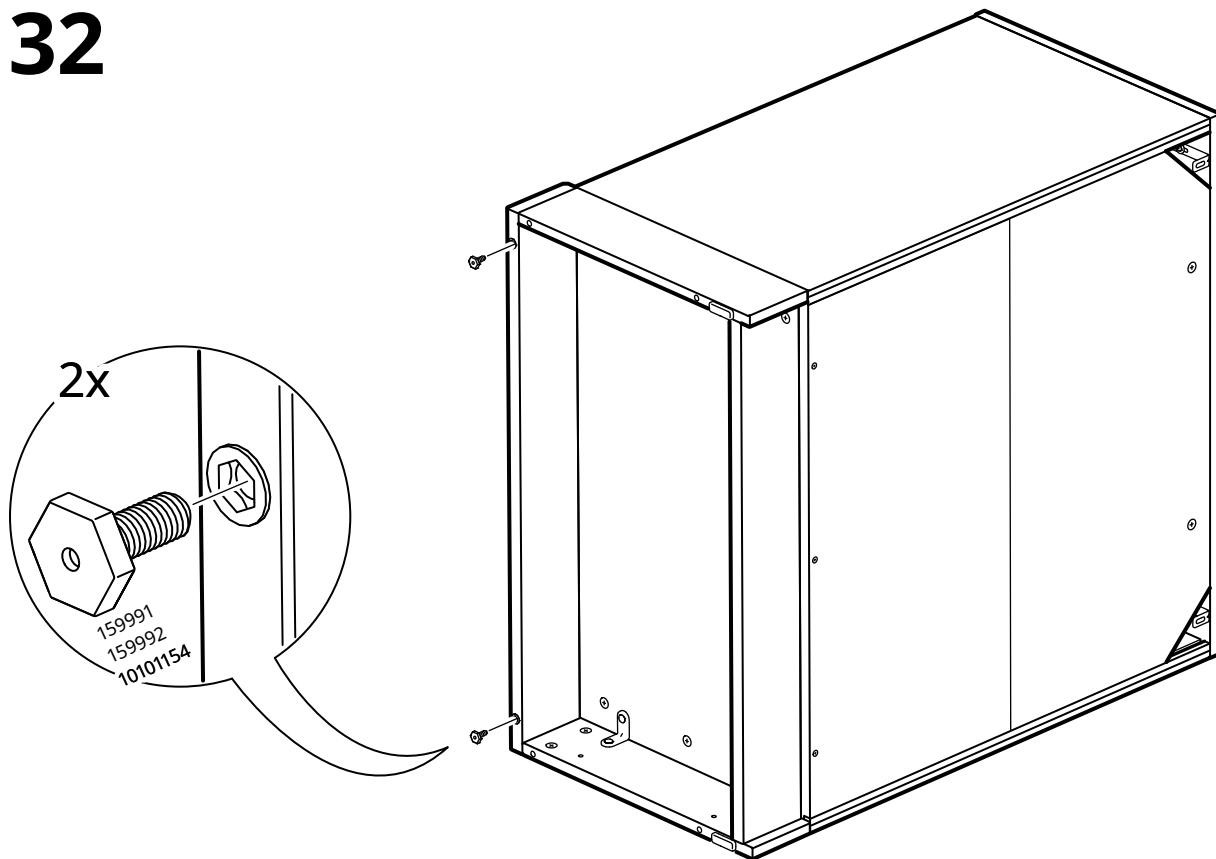
**30**

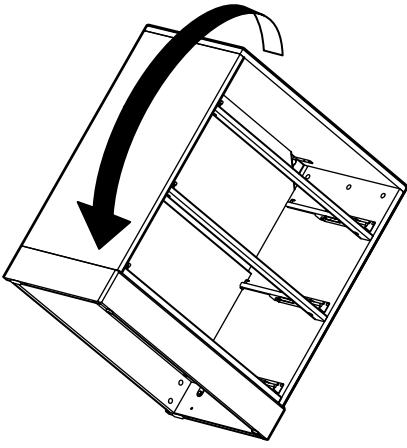


# 31

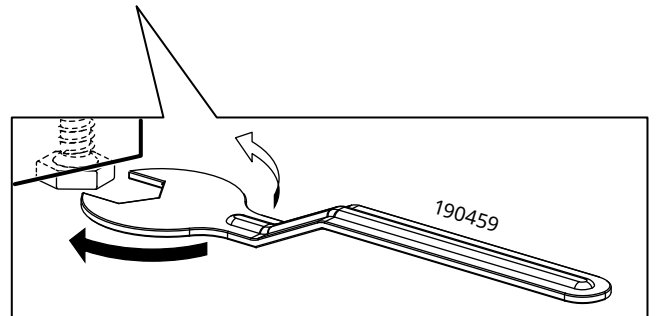
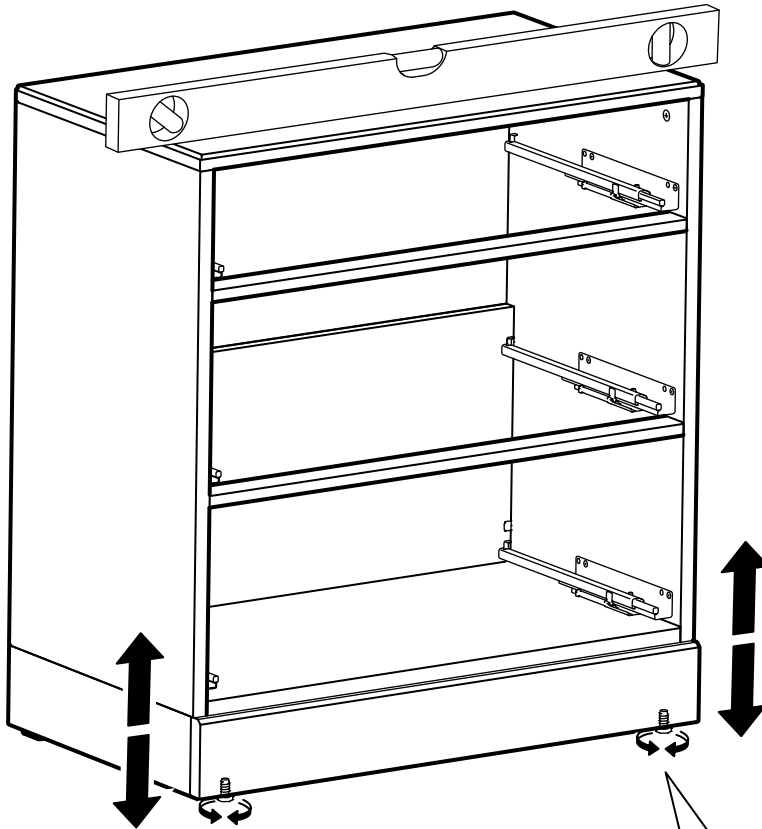


# 32

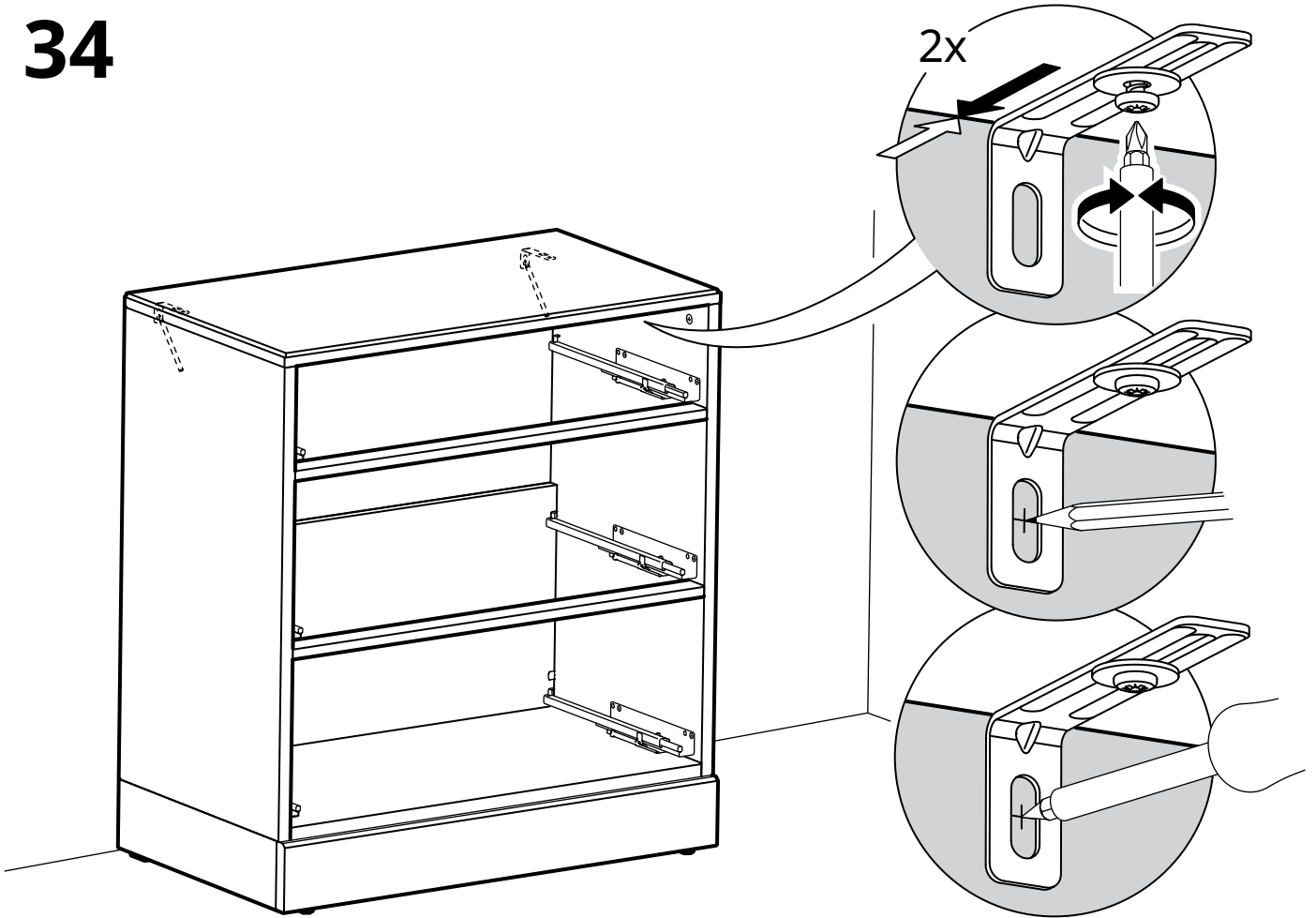




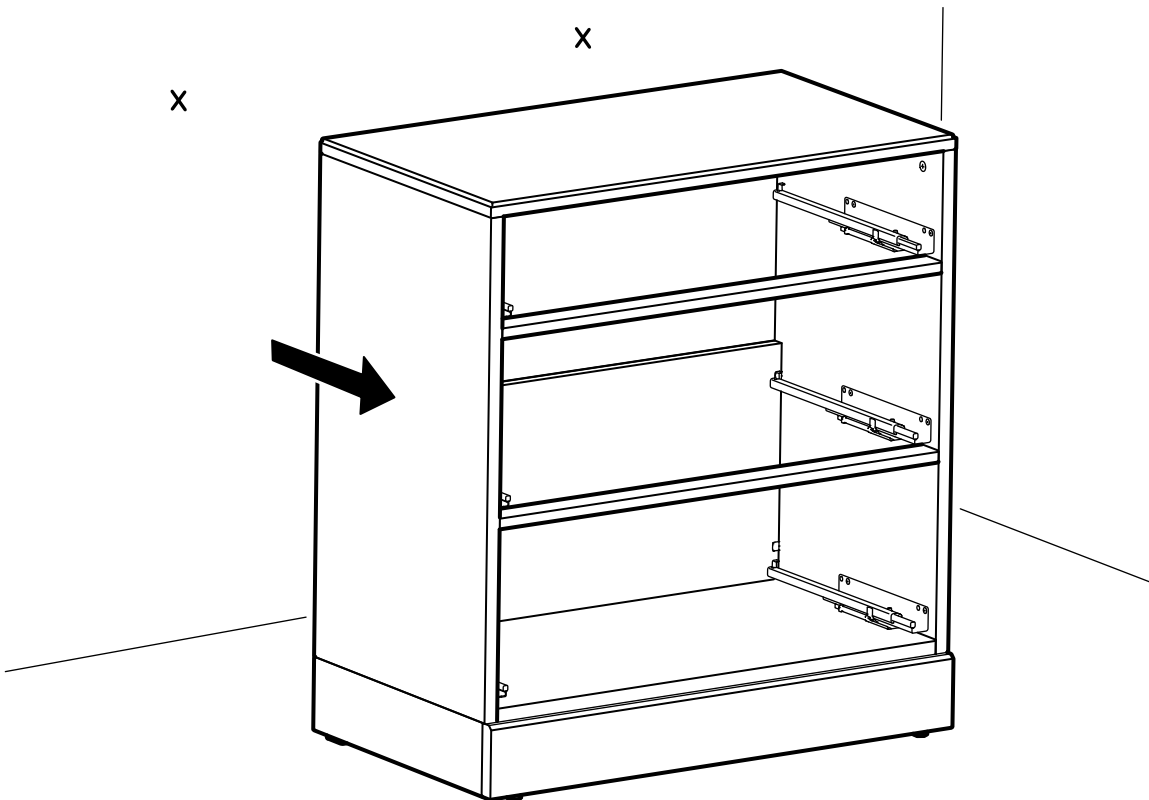
33

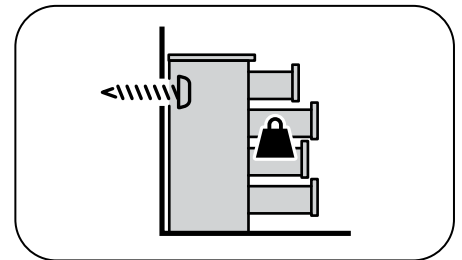


# 34



# 35



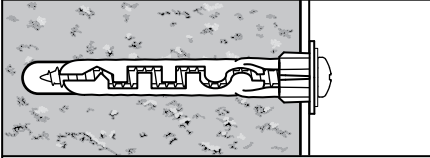



# 36

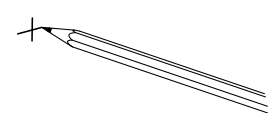
## English

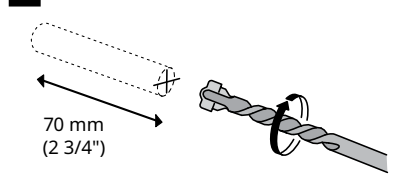
The screw(s) and plug(s) supplied can be used with most solid (A) and hollow (B) walls. For solid wood (C) use the screw(s) without plug(s). If you are uncertain, seek professional advice.

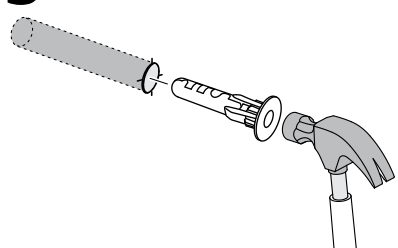
**A**



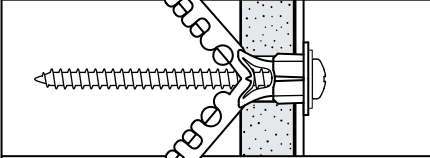
**Ø 8 mm (5/16")** 


**1** 

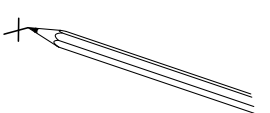
**2**   
70 mm (2 3/4")

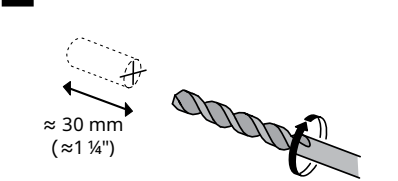
**3** 

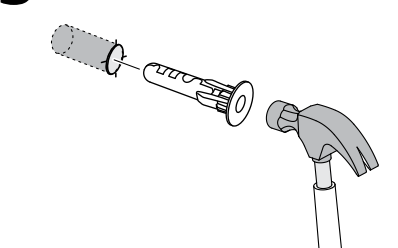
**B**



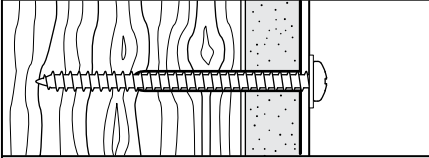
**Ø 8 mm (5/16")** 


**1** 

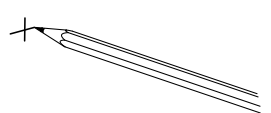
**2**   
≈ 30 mm (≈ 1 1/4")

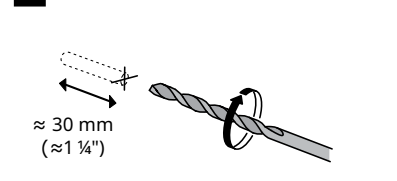
**3** 


**C**

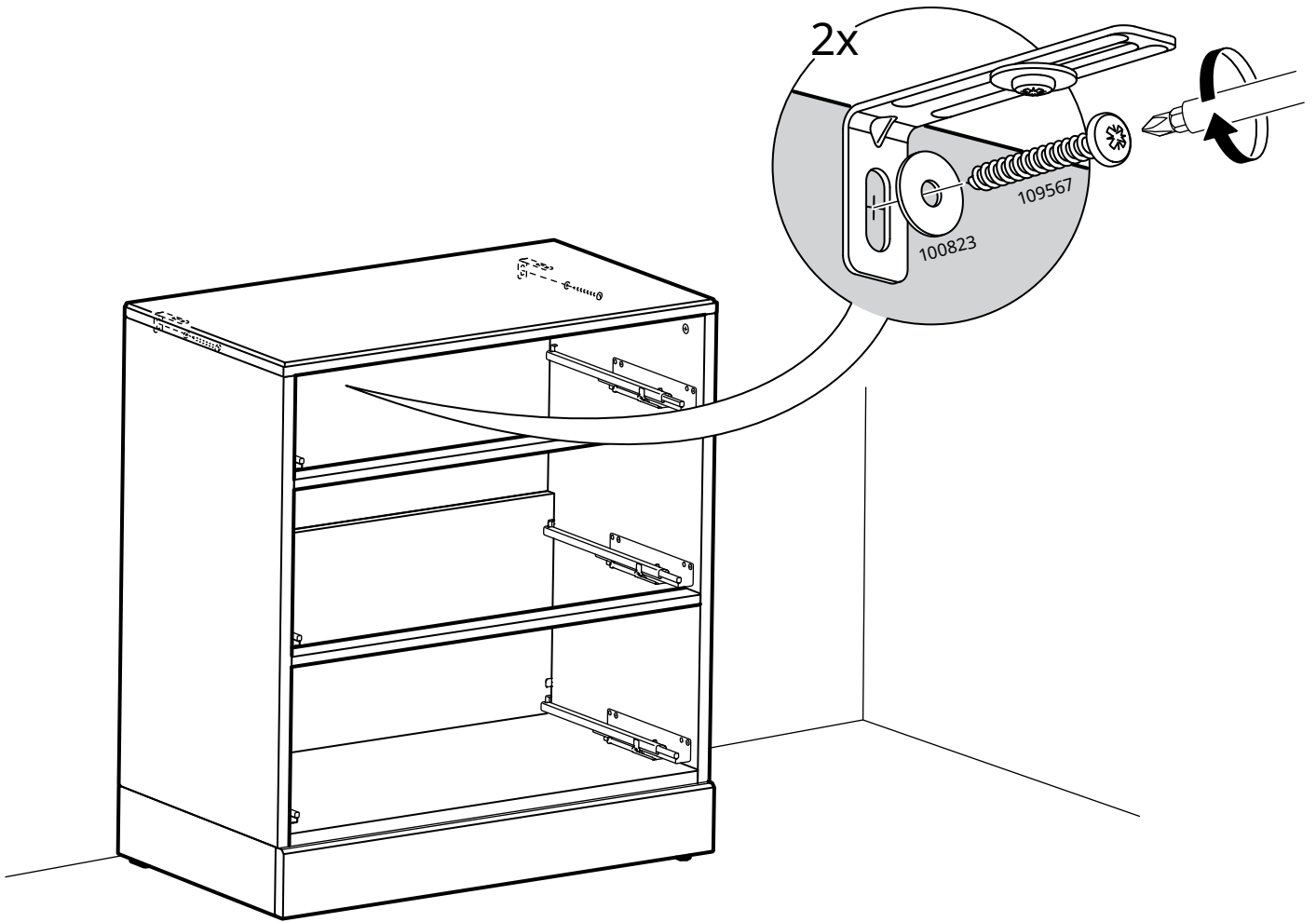


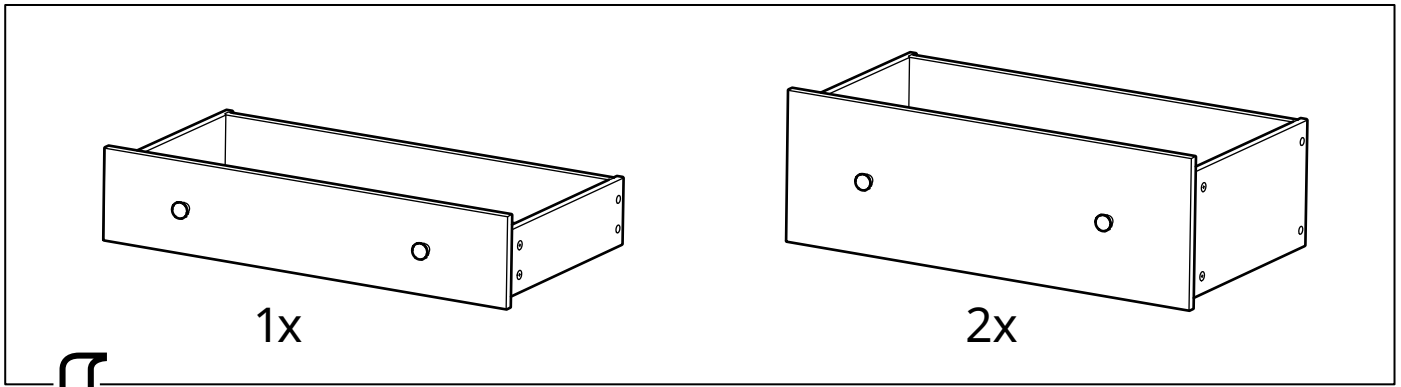
**Ø 3 mm (1/8")** 

**1** 

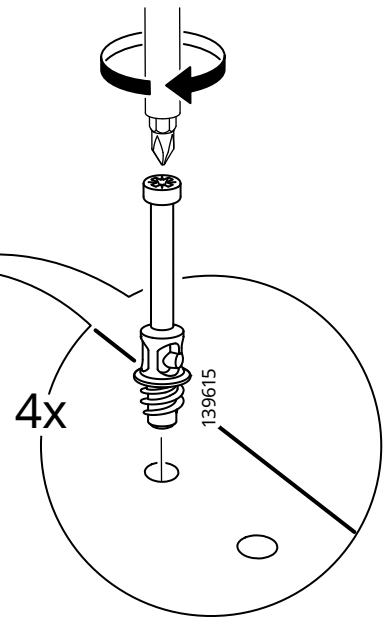
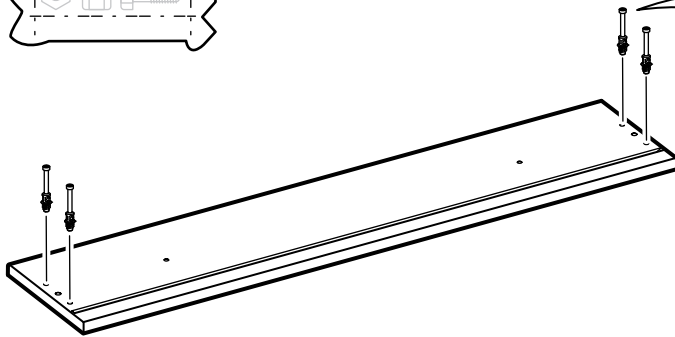
**2**   
≈ 30 mm (≈ 1 1/4")

**3** 

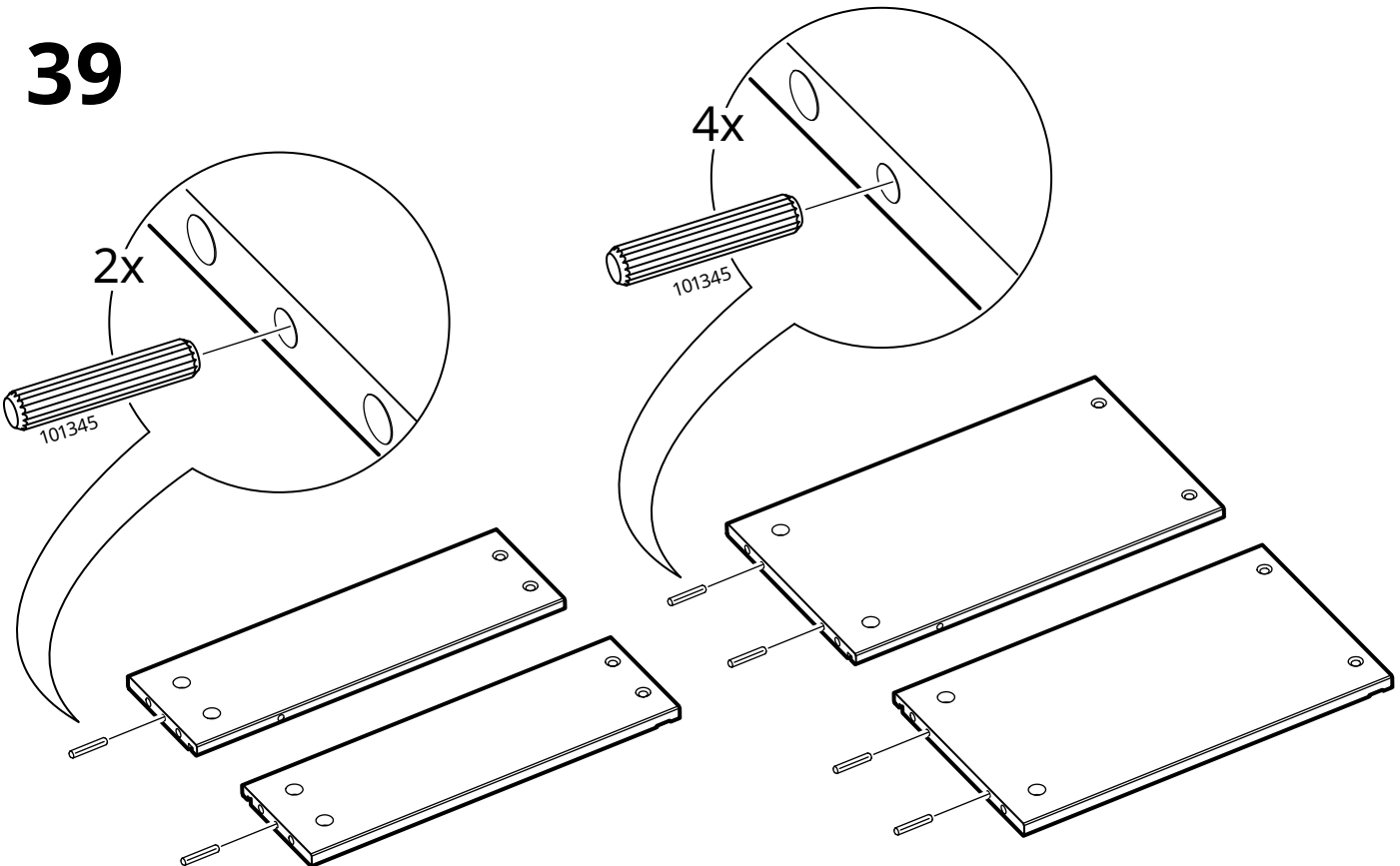


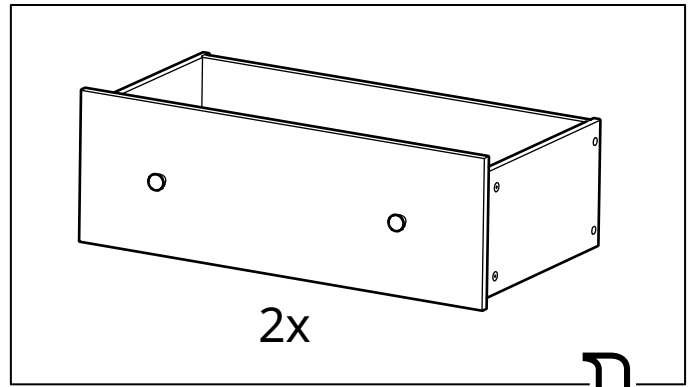
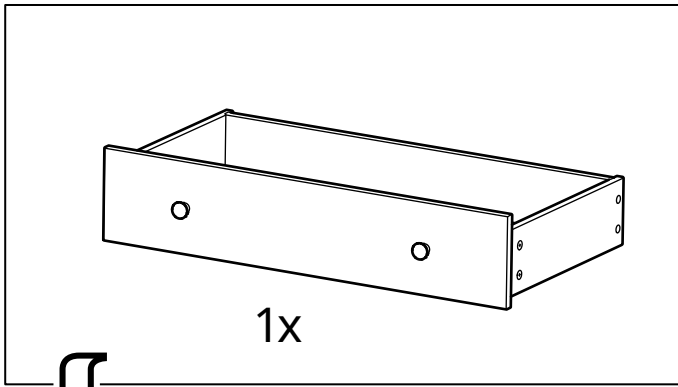


38

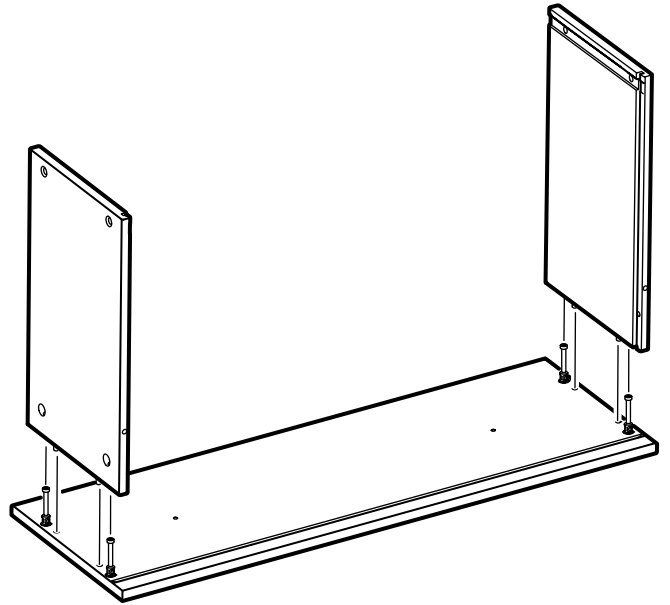
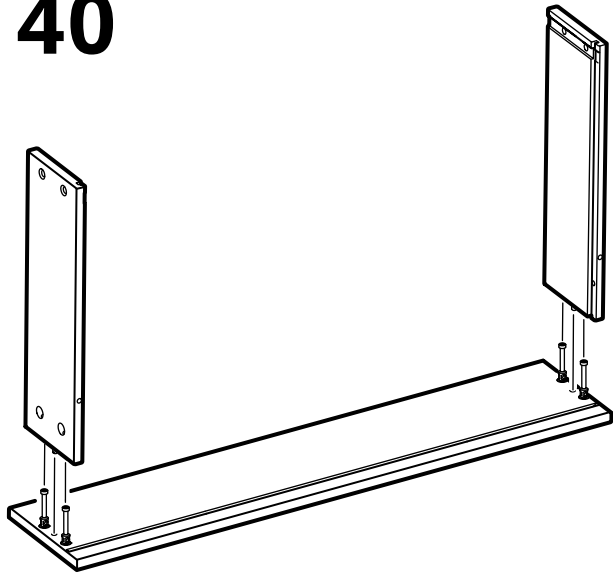


39



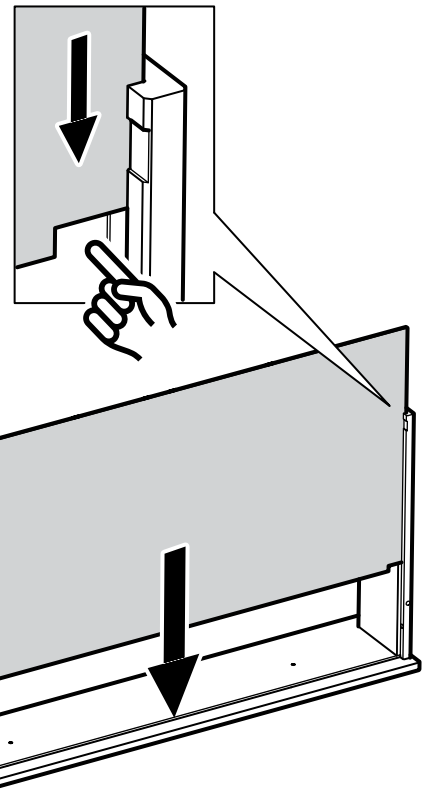
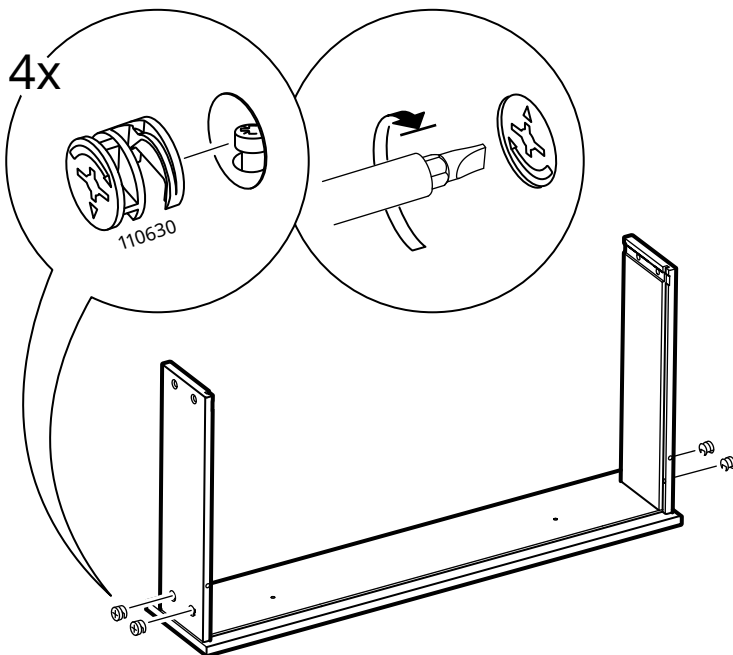


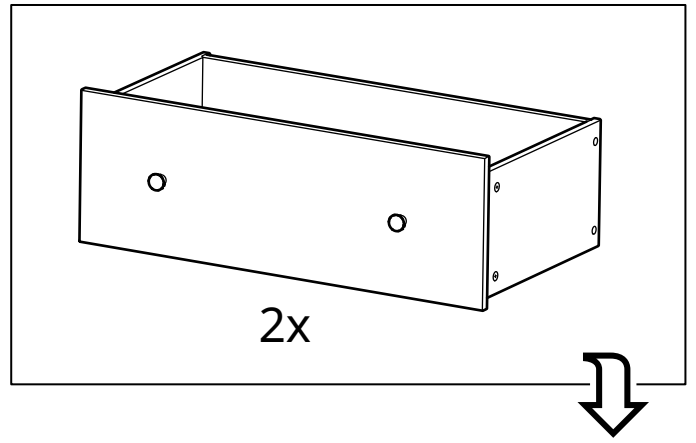
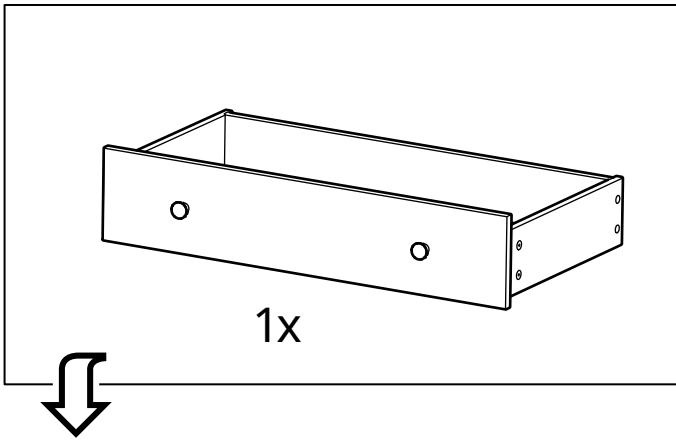
**40**



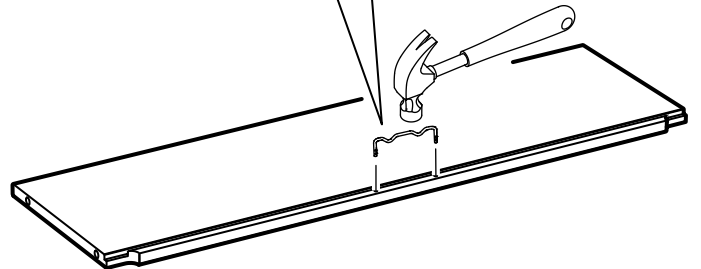
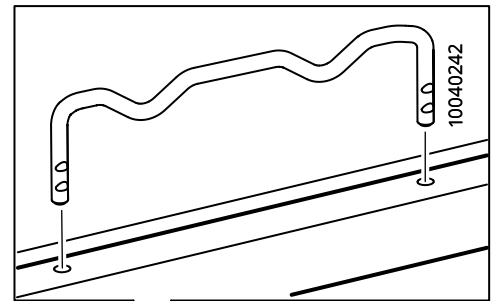
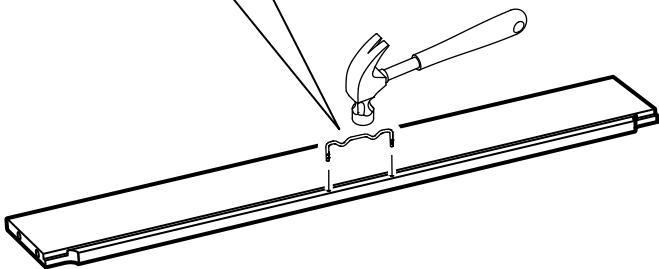
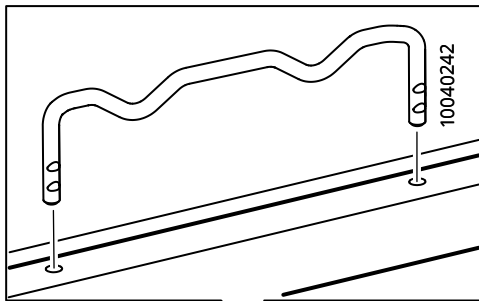
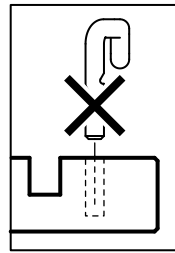
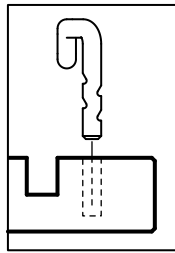
**41**

**42**

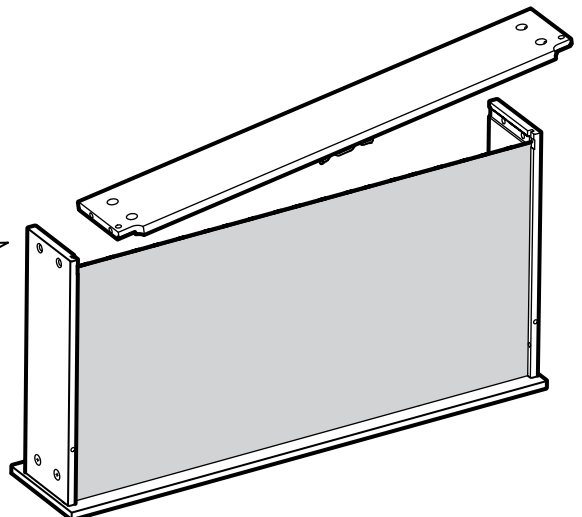
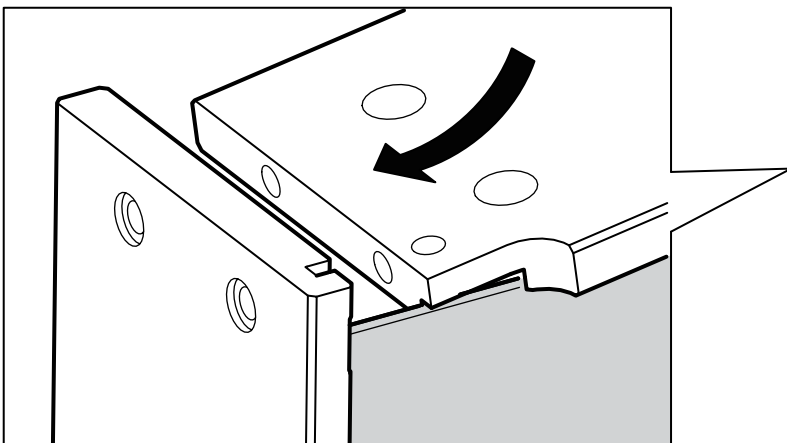




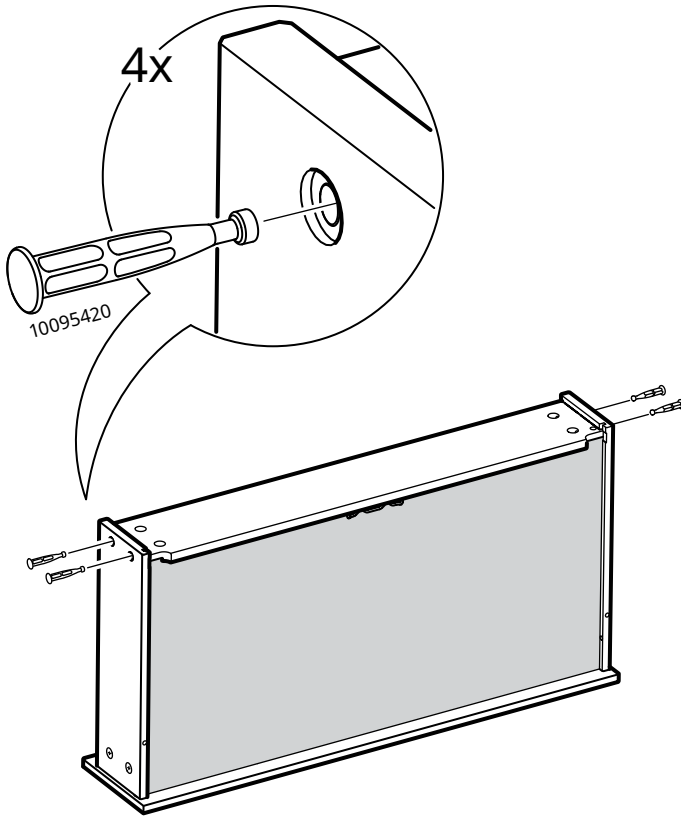
**43**



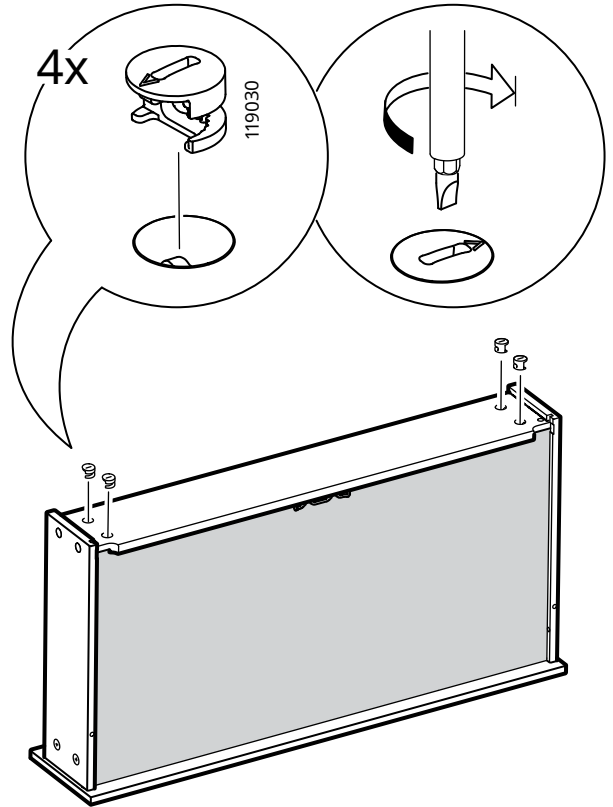
**44**



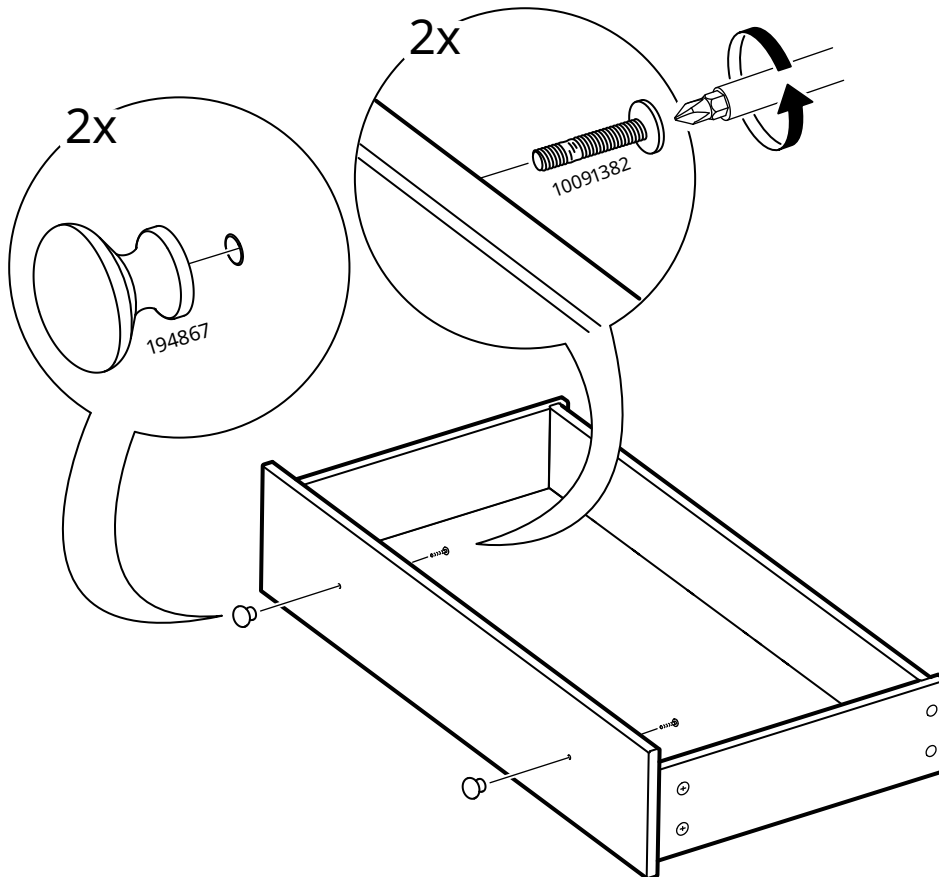
# 45



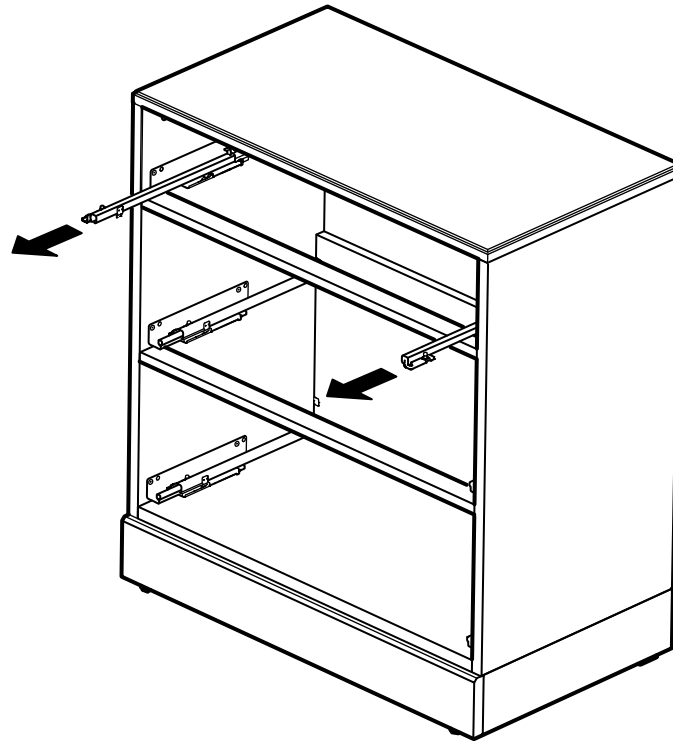
# 46



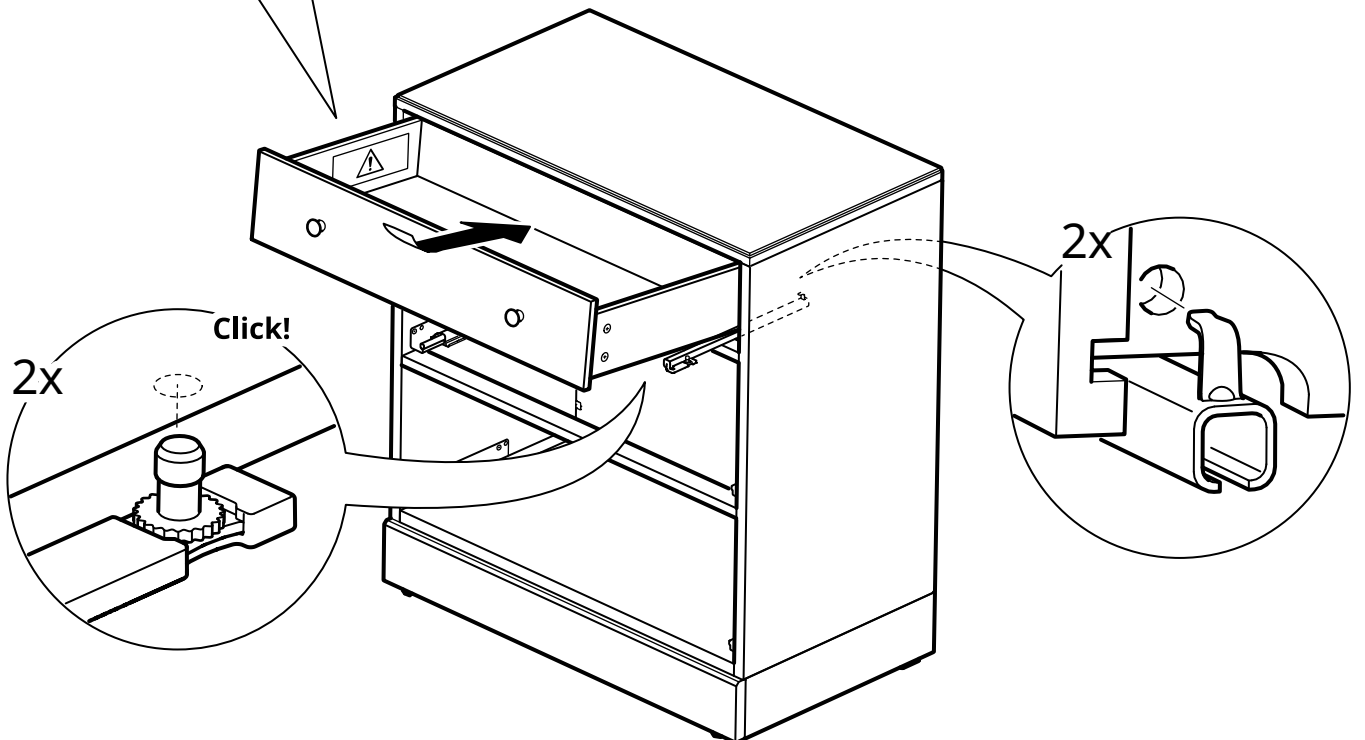
# 47



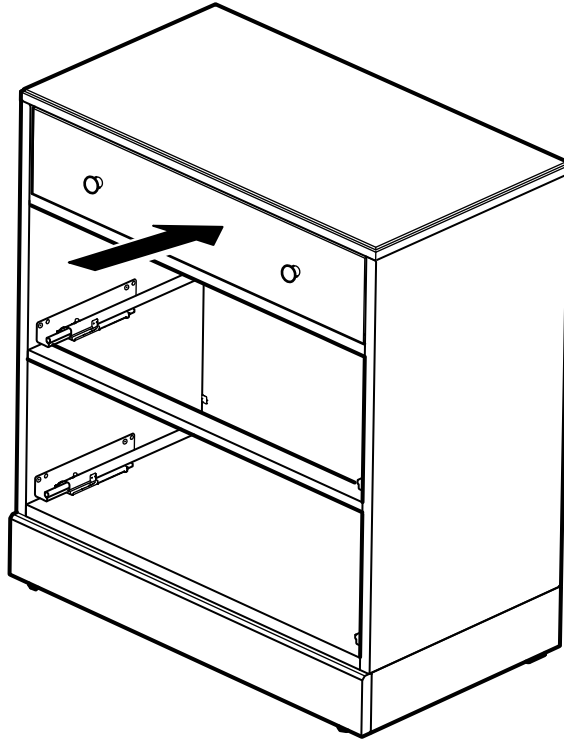
# 48



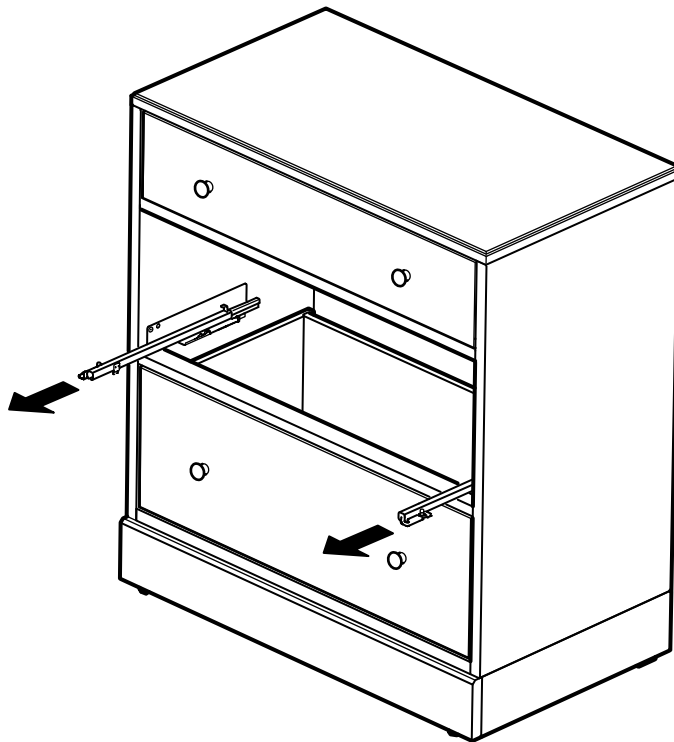
# 49



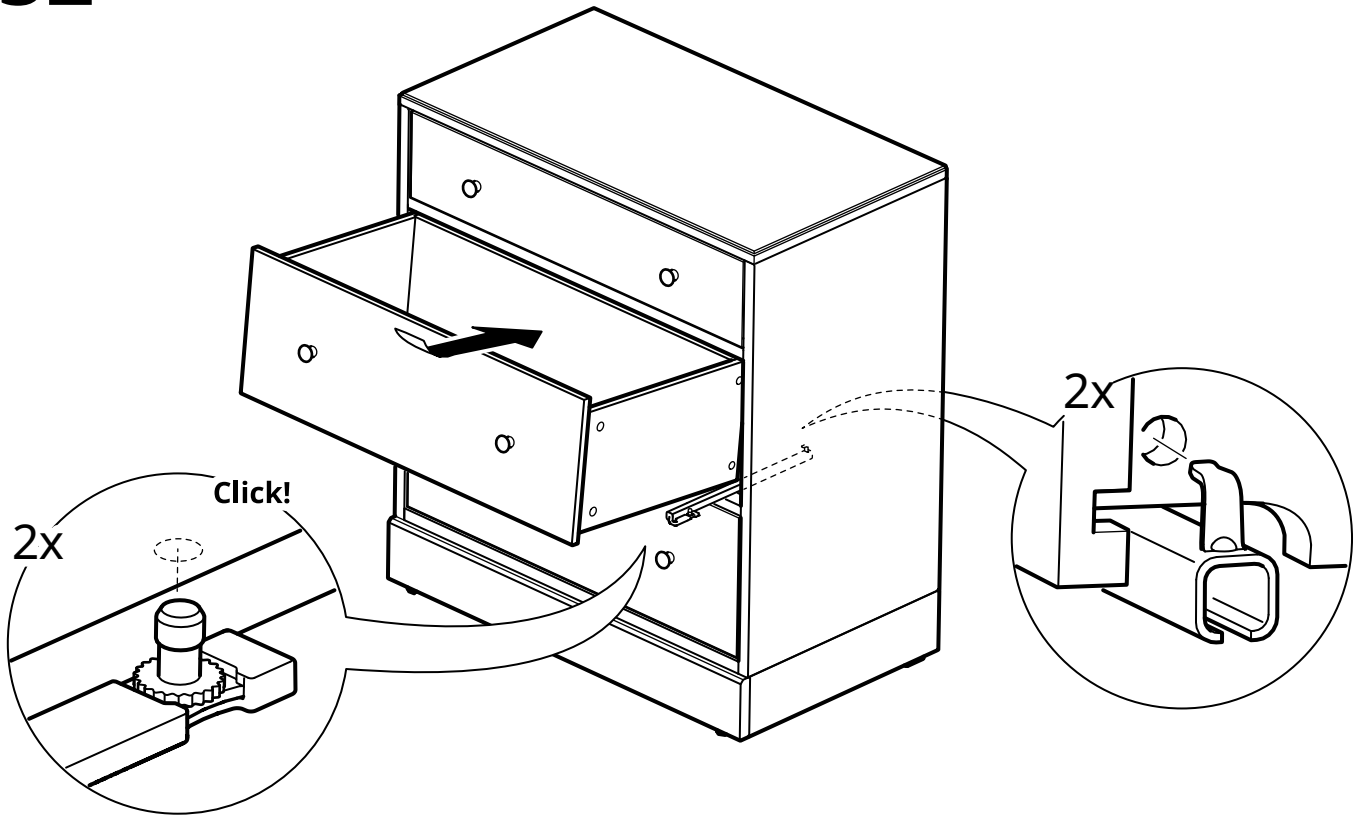
50



51



**52**



**53**

