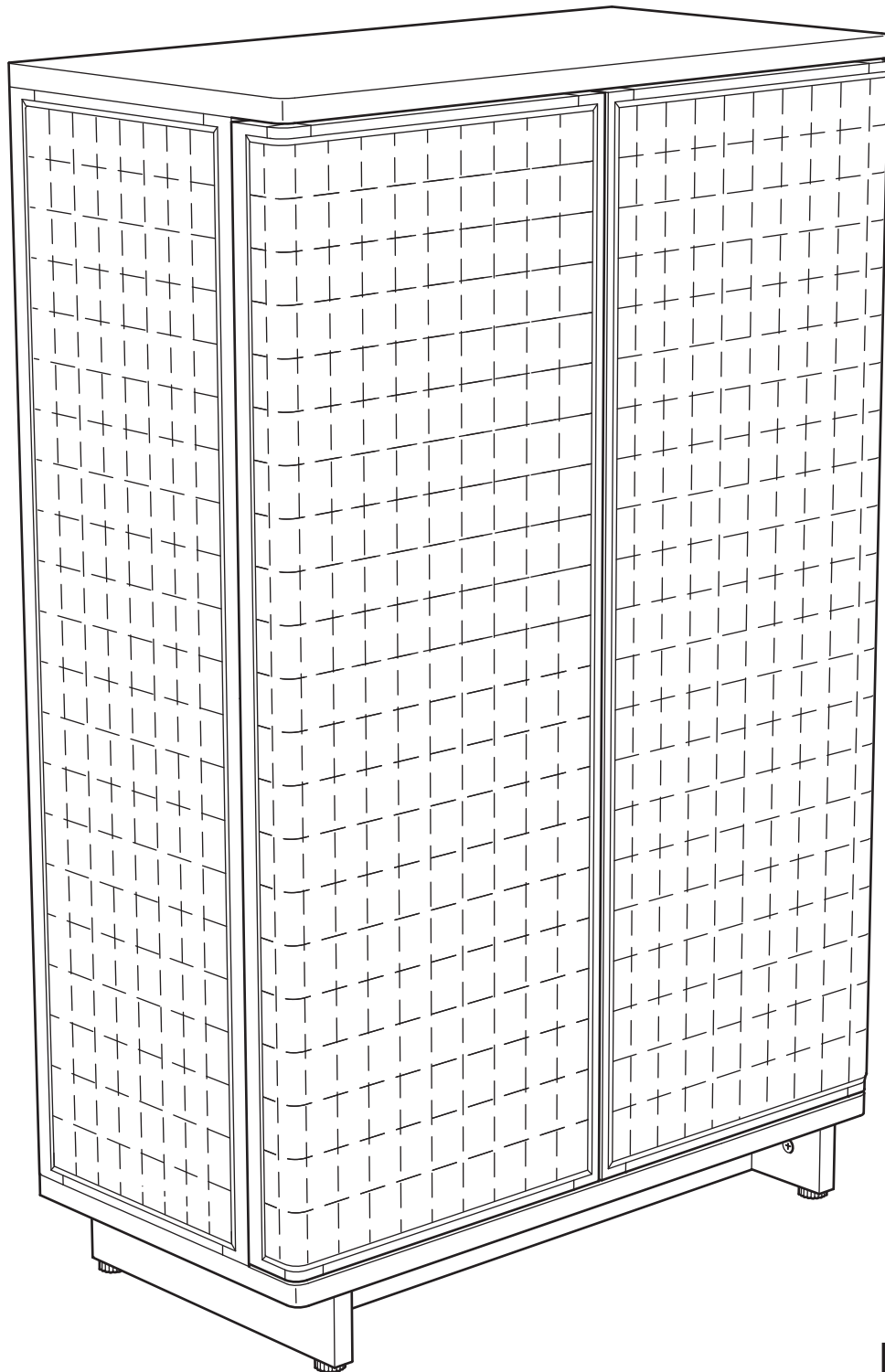


FRYKSÅS



Design and Quality
IKEA of Sweden



English
IMPORTANT!
READ CAREFULLY AND KEEP FOR FUTURE
REFERENCE.

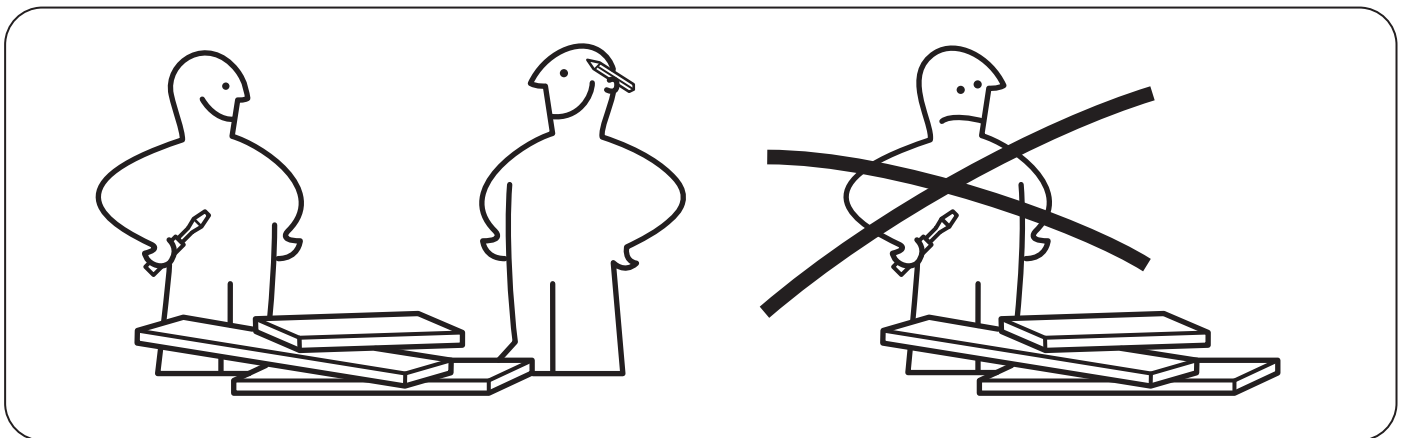
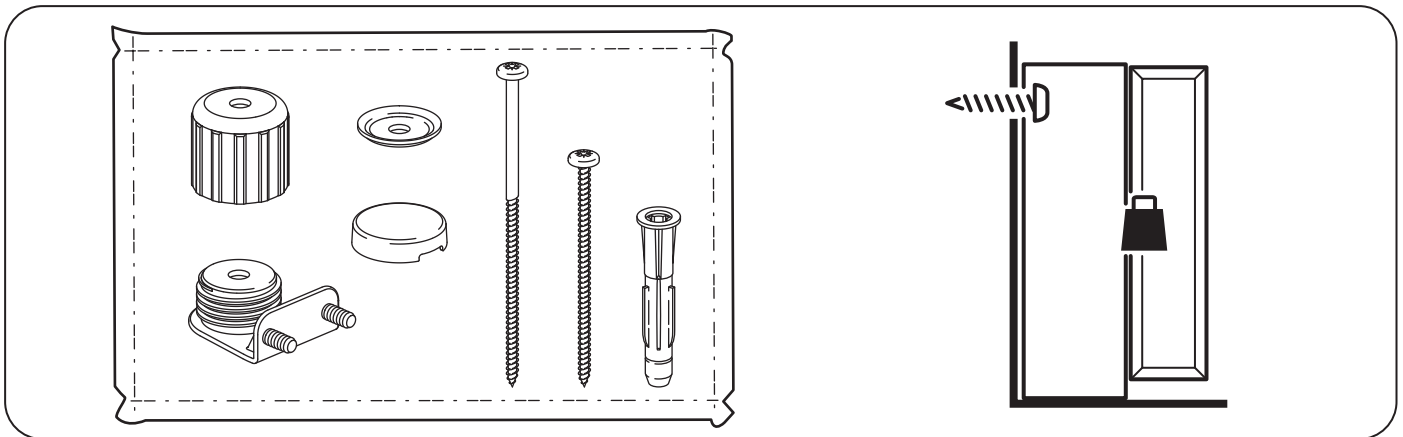
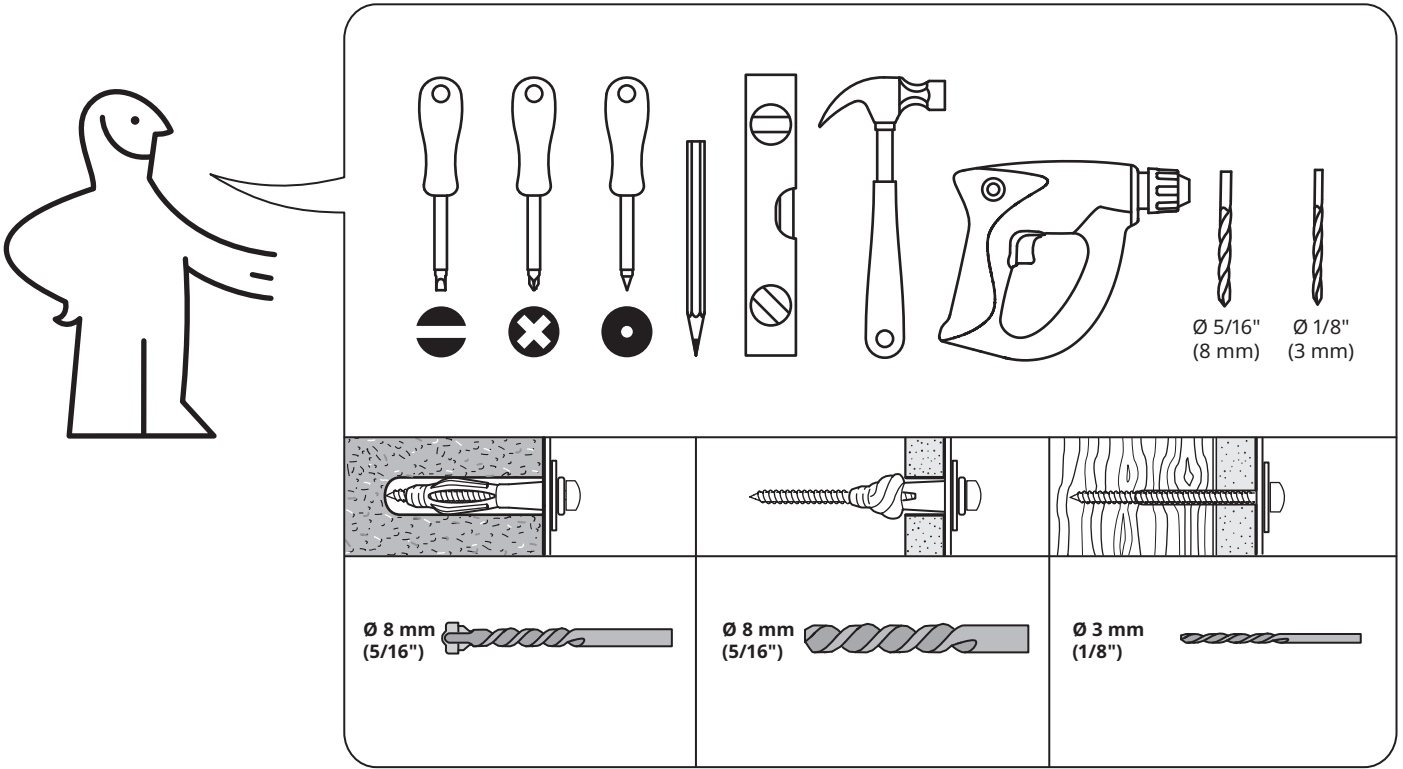
English

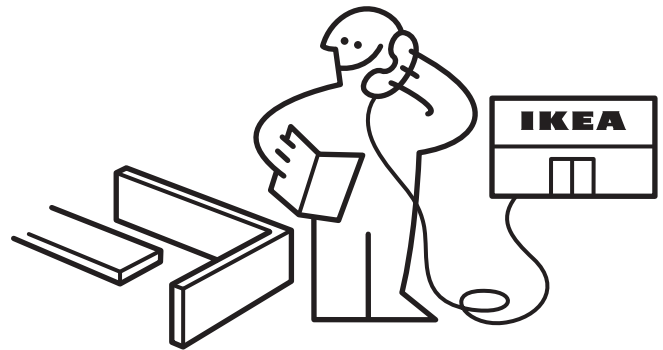
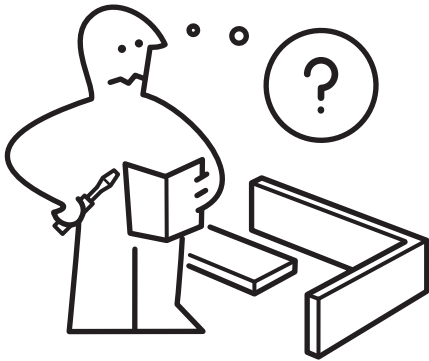
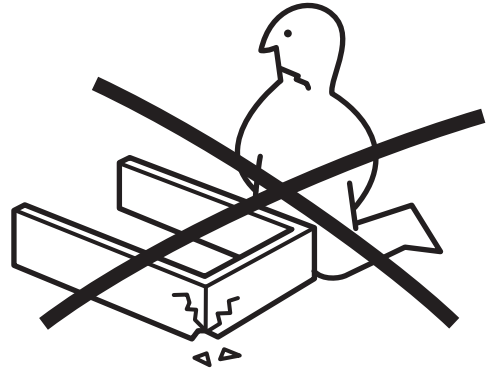
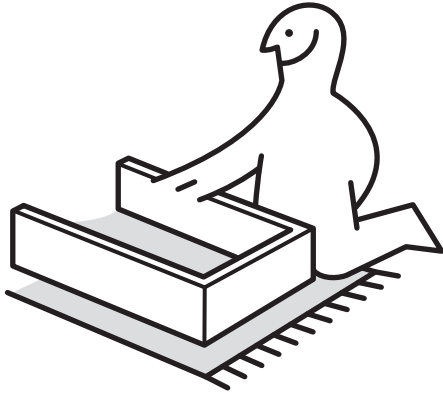
WARNING

**Children have died from furniture
tipover.**

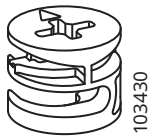
To reduce the risk of furniture tipover:

- ALWAYS install anti-tip device provided.
- NEVER put a TV on this product.
- NEVER allow children to stand, climb, or hang on any drawers, doors, or shelves.
- NEVER open more than one drawer at a time.
- Place heaviest items in the lowest drawers.



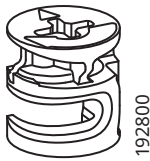


1



103430

14x



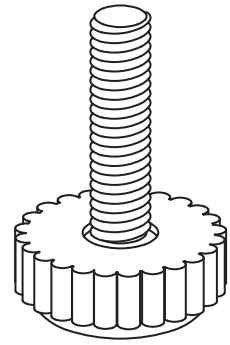
192800

15x



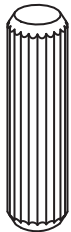
118331

29x



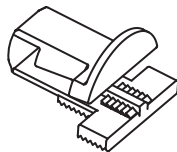
102728

4x



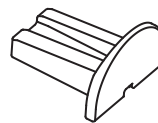
101350
128832

30x



10093081

8x



10093082

8x



9

2



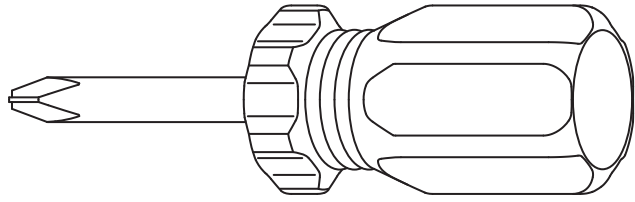
12x



6x

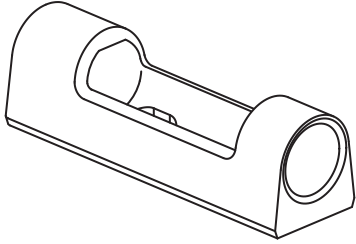


2x

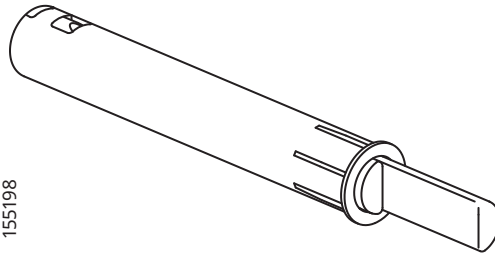


10110904

1x



2x



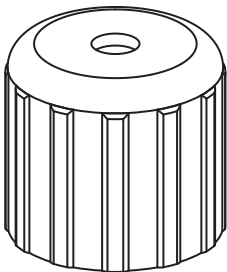
155197

2x



26

3



150689

2x



126916

2x



157484

2x



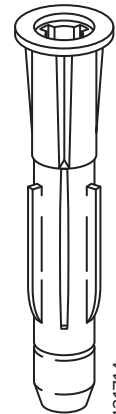
147968

2x



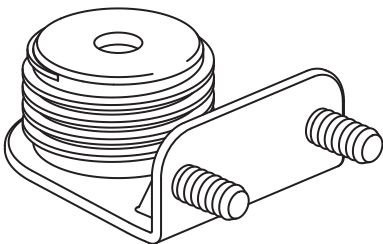
158469

2x



121714

2x



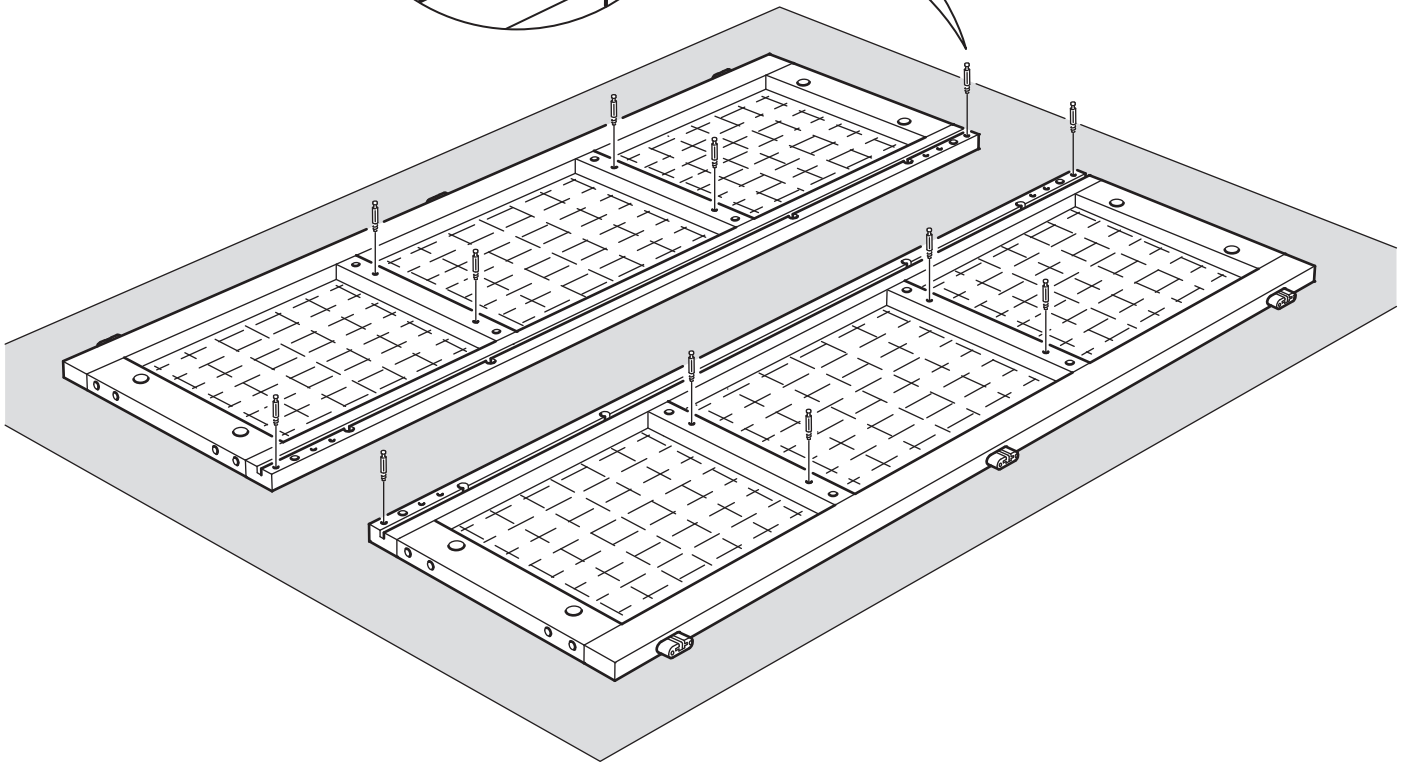
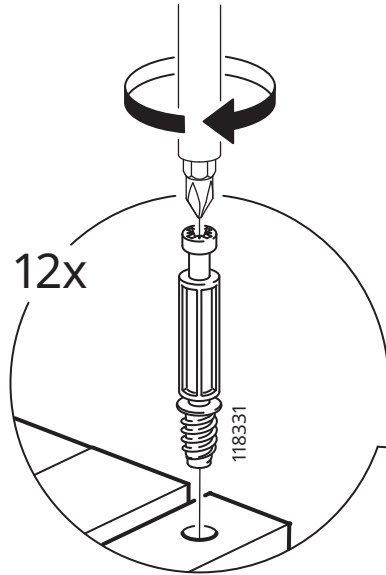
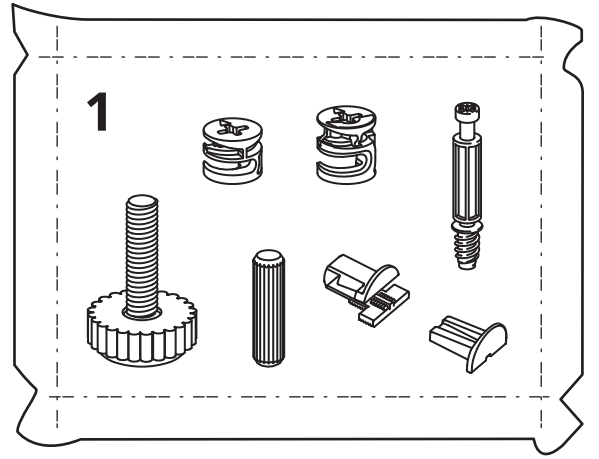
150688

2x

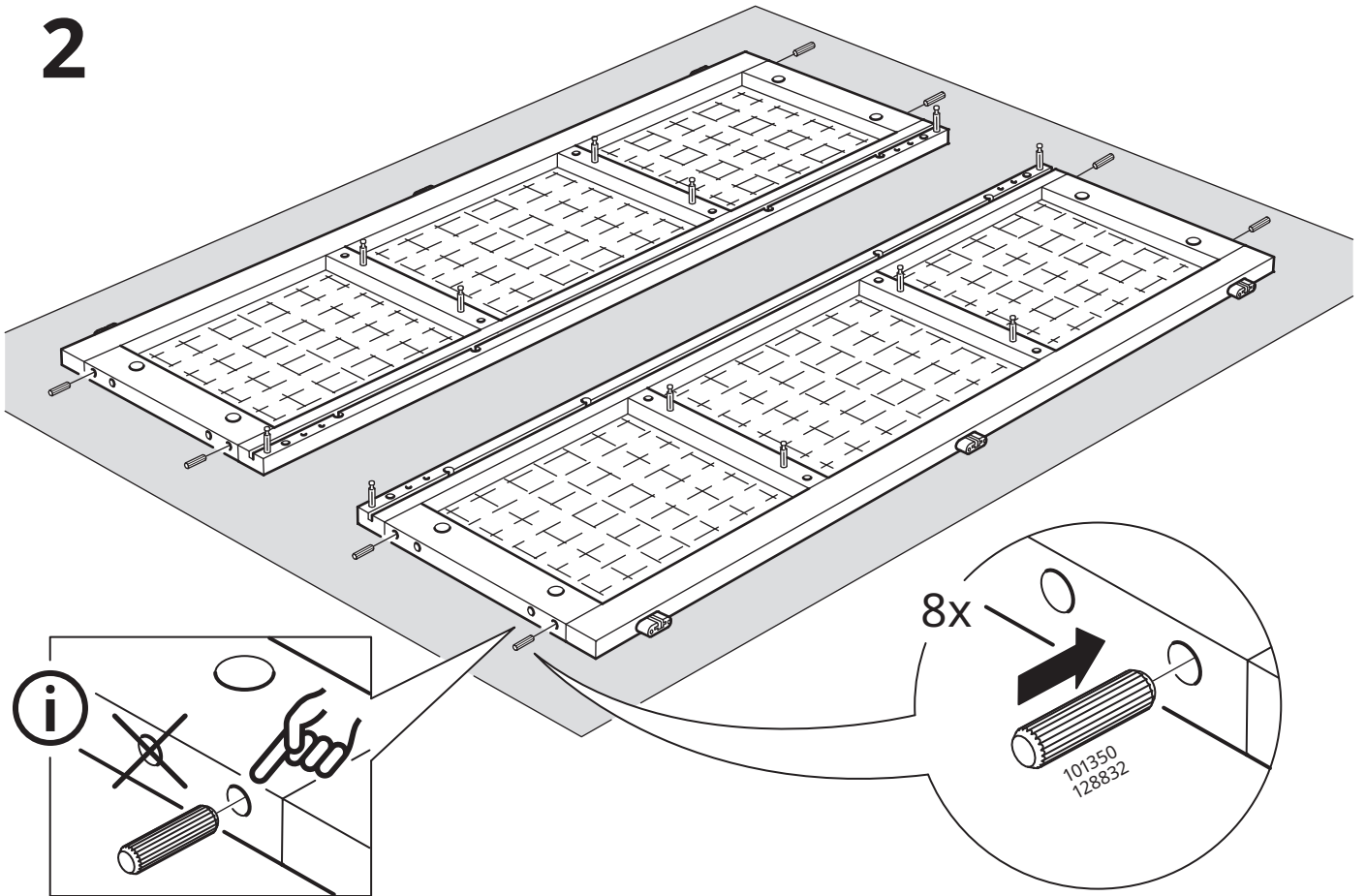


36

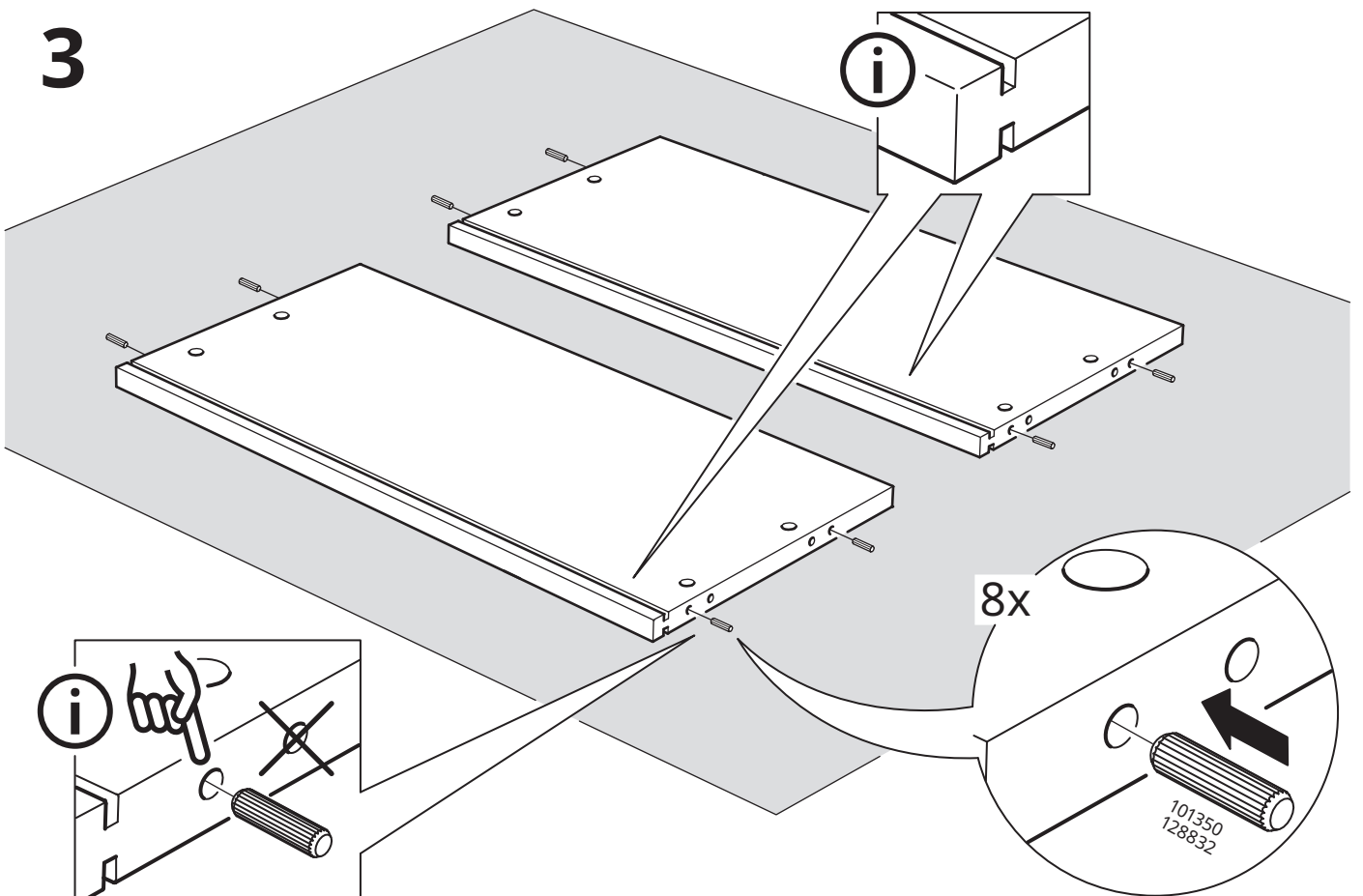
1



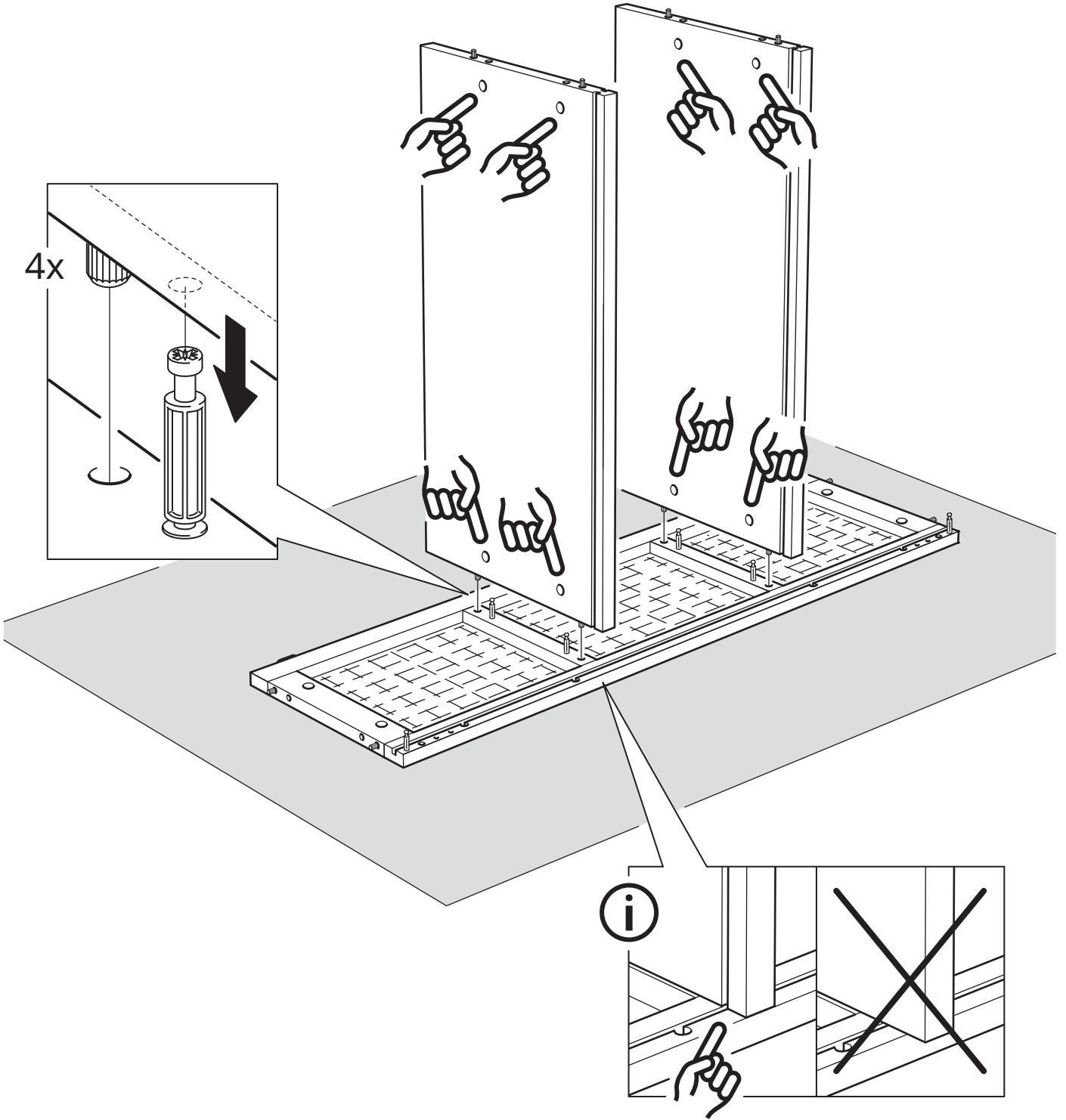
2



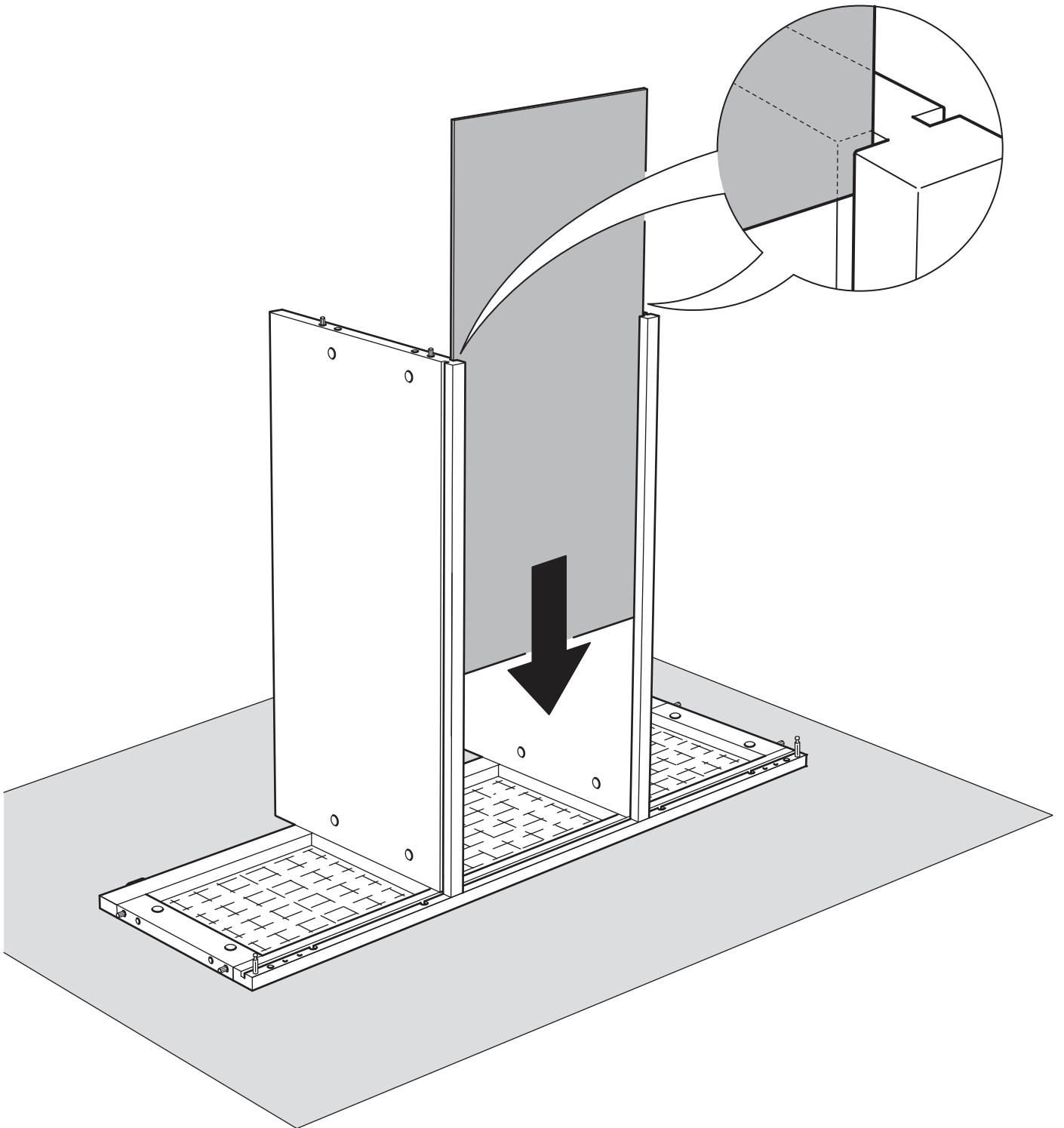
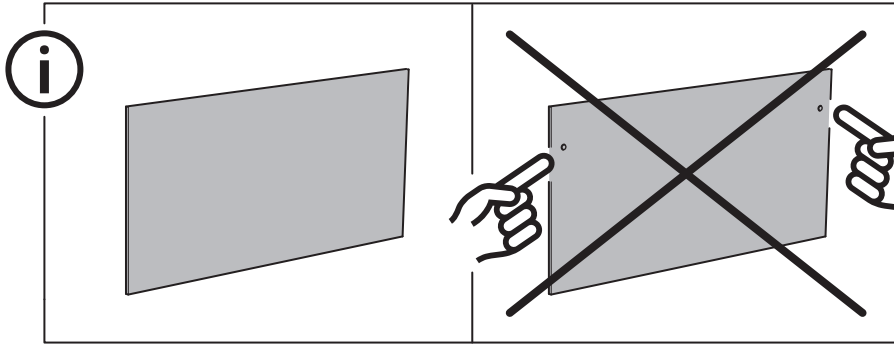
3



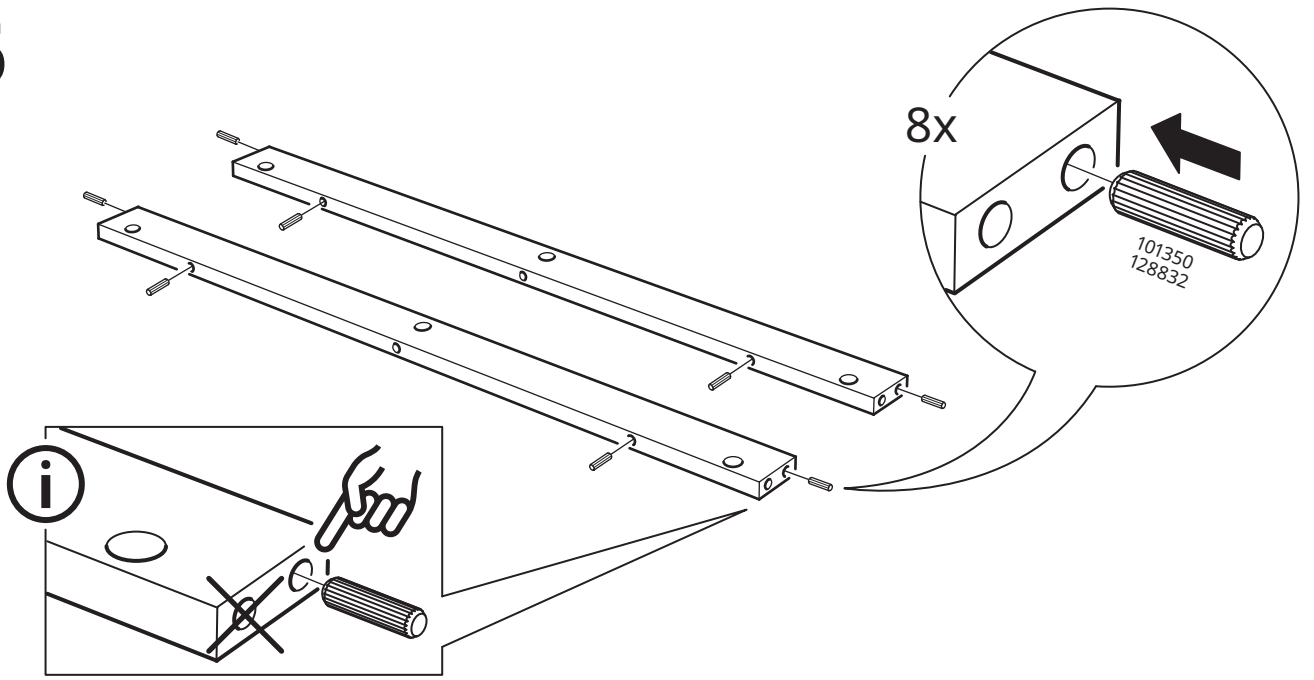
4



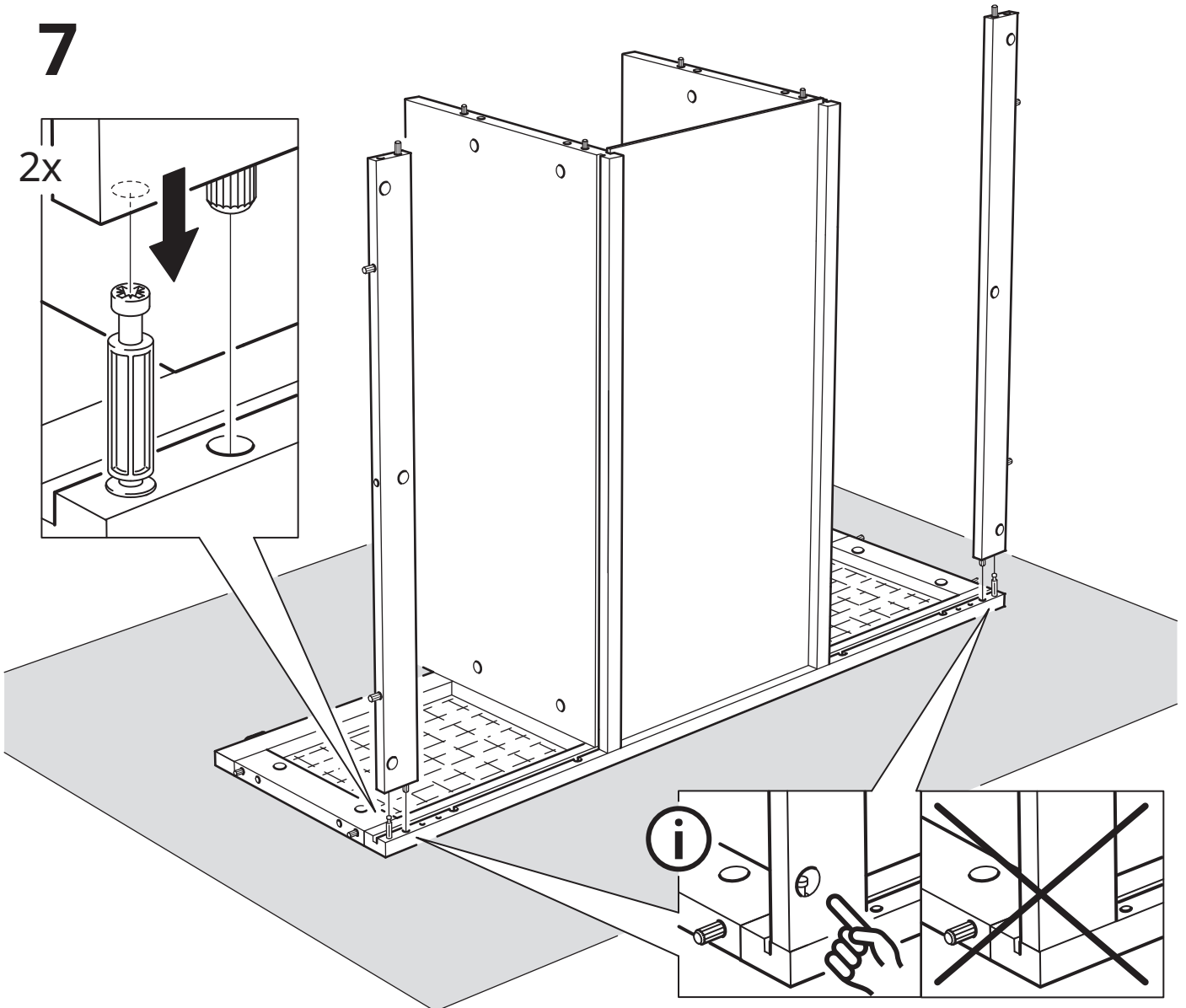
5



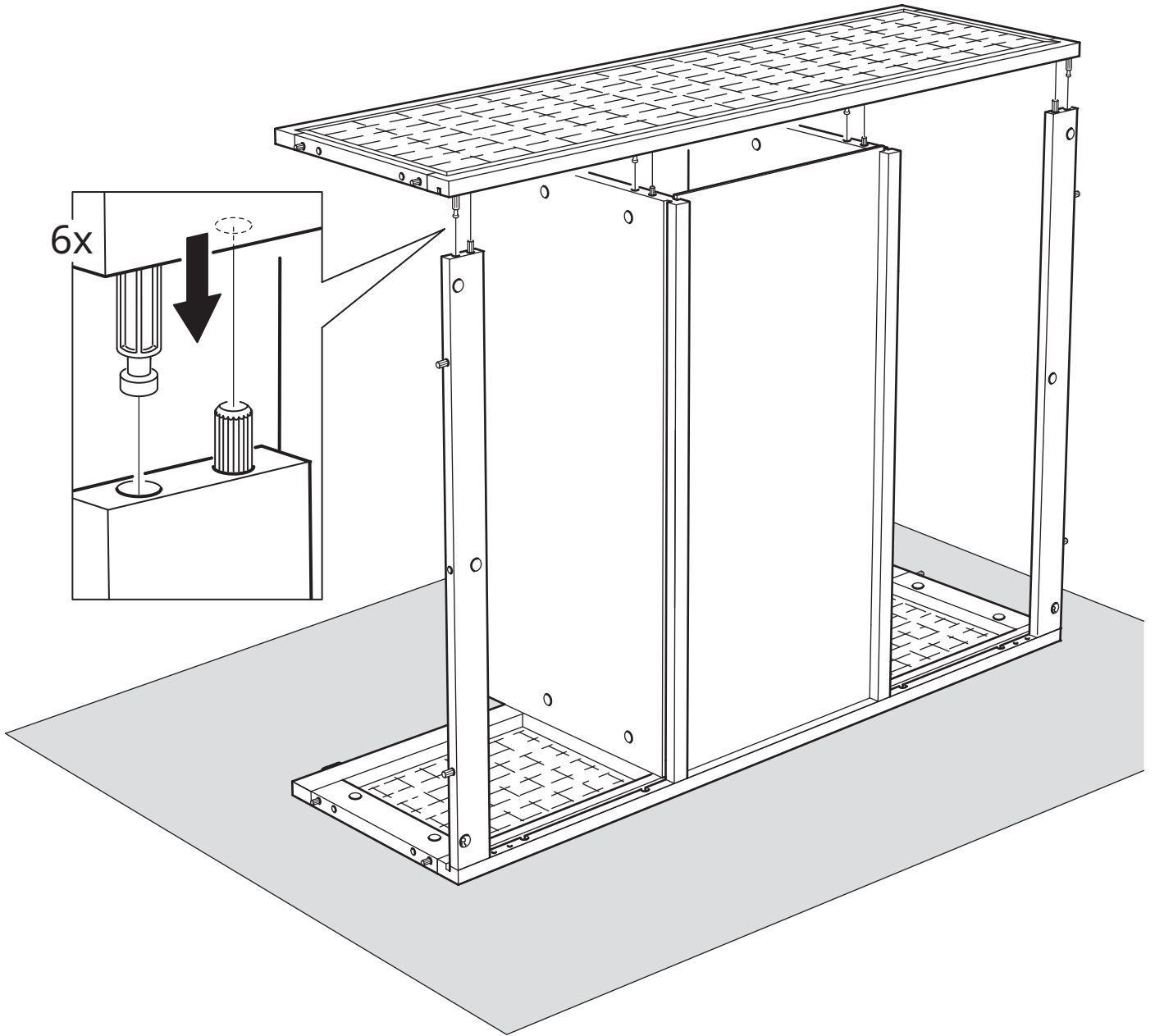
6



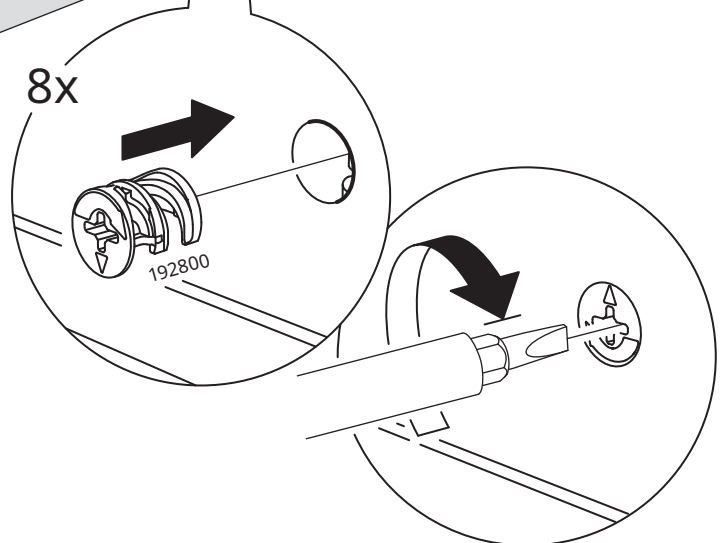
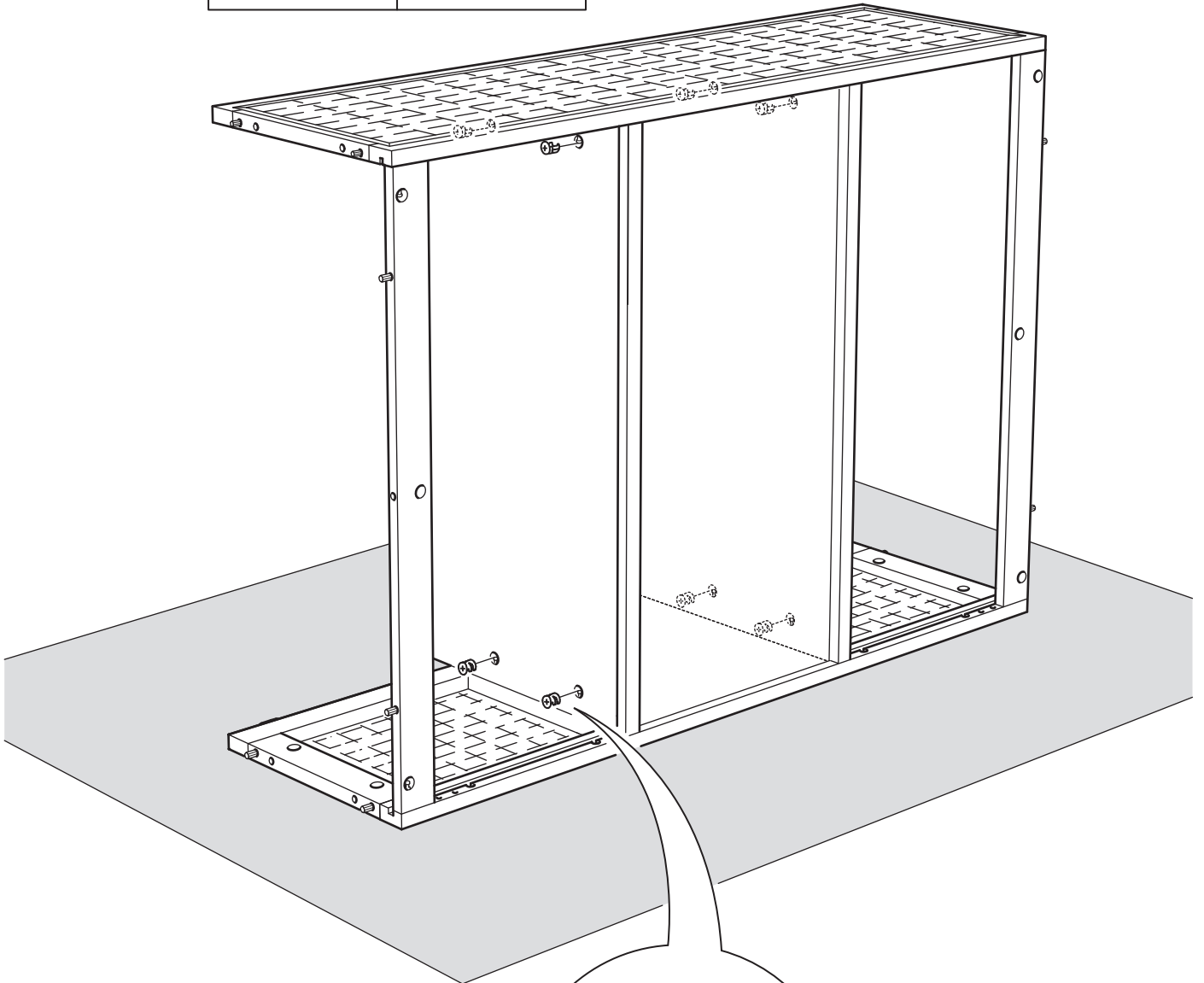
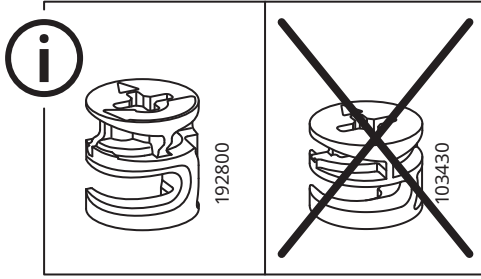
7



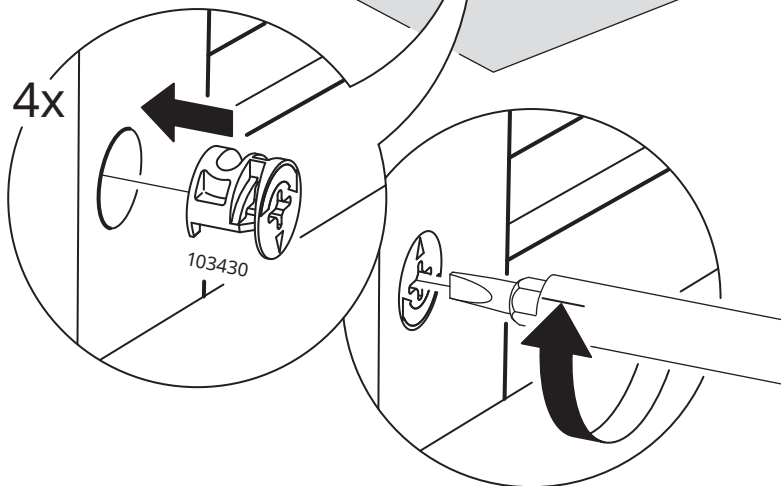
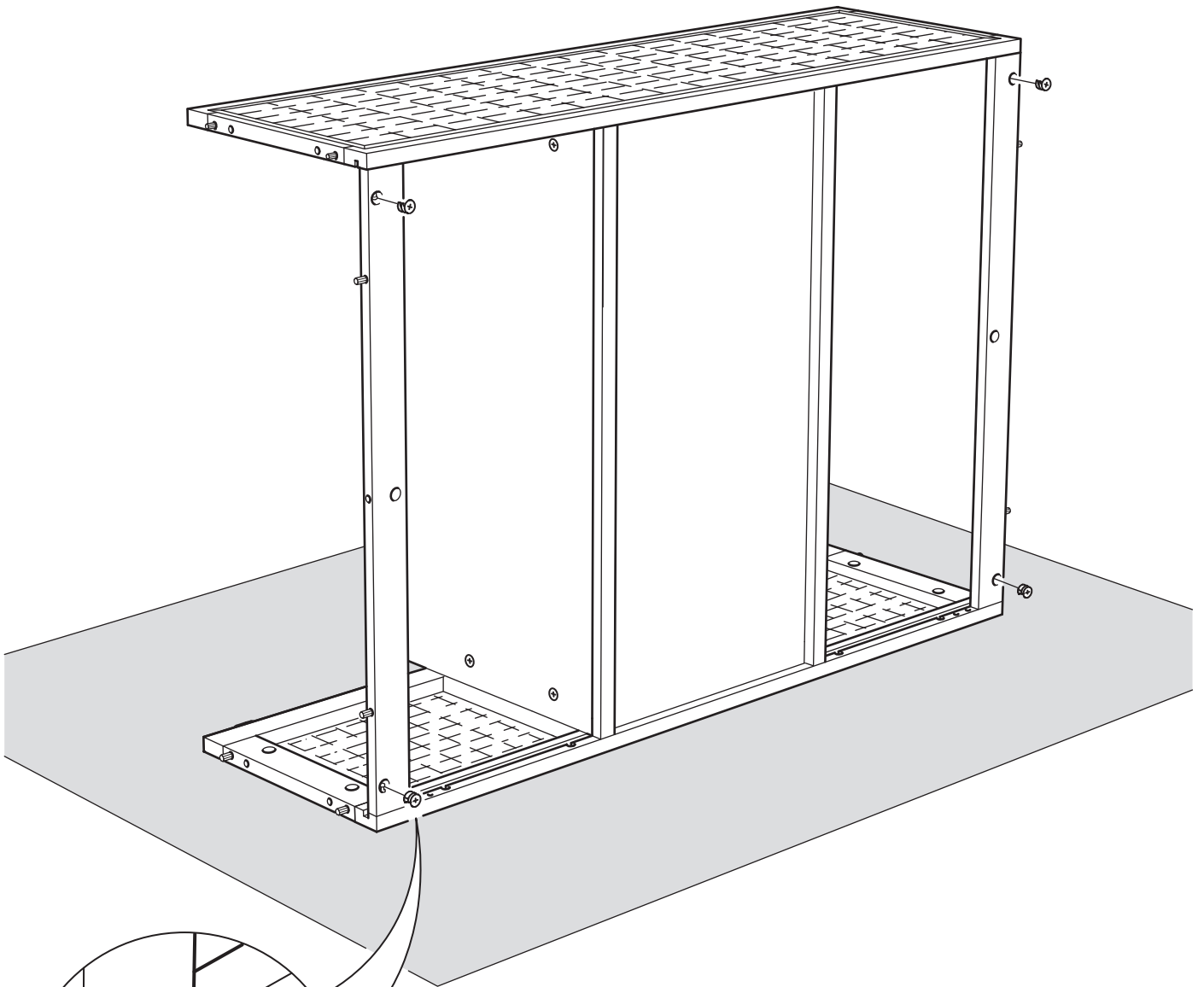
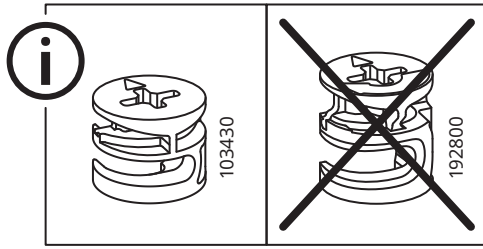
8



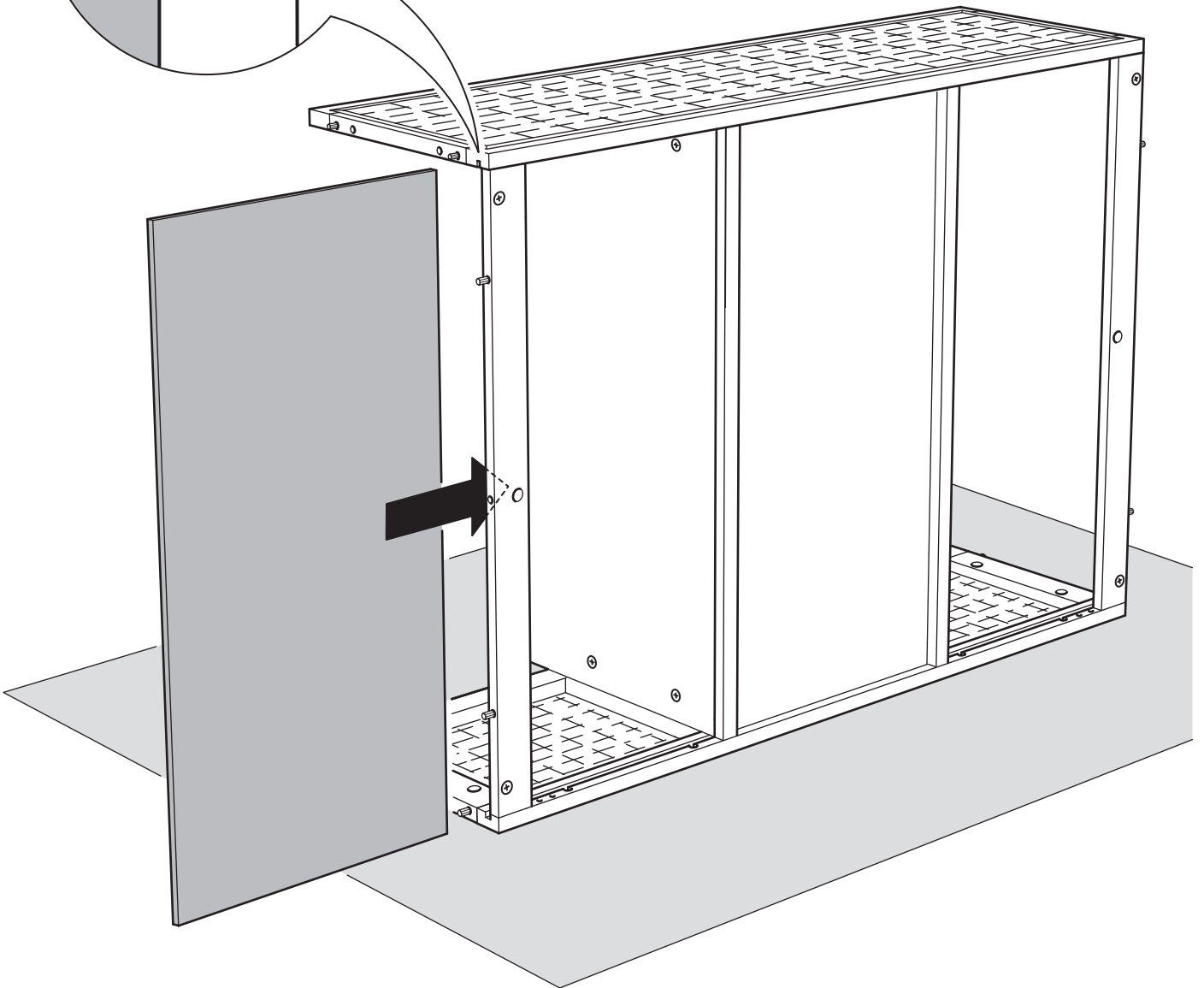
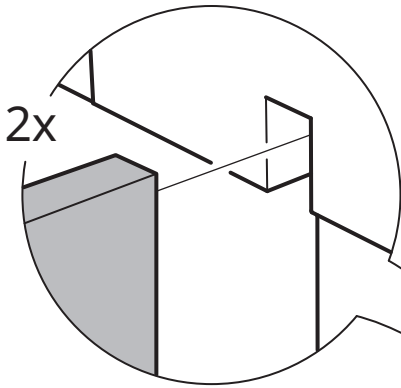
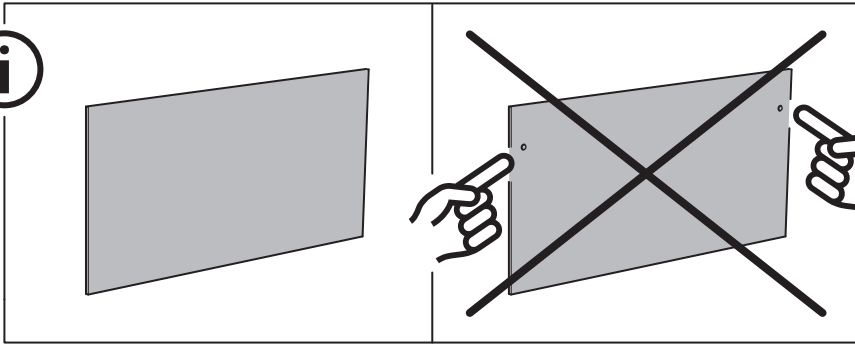
9



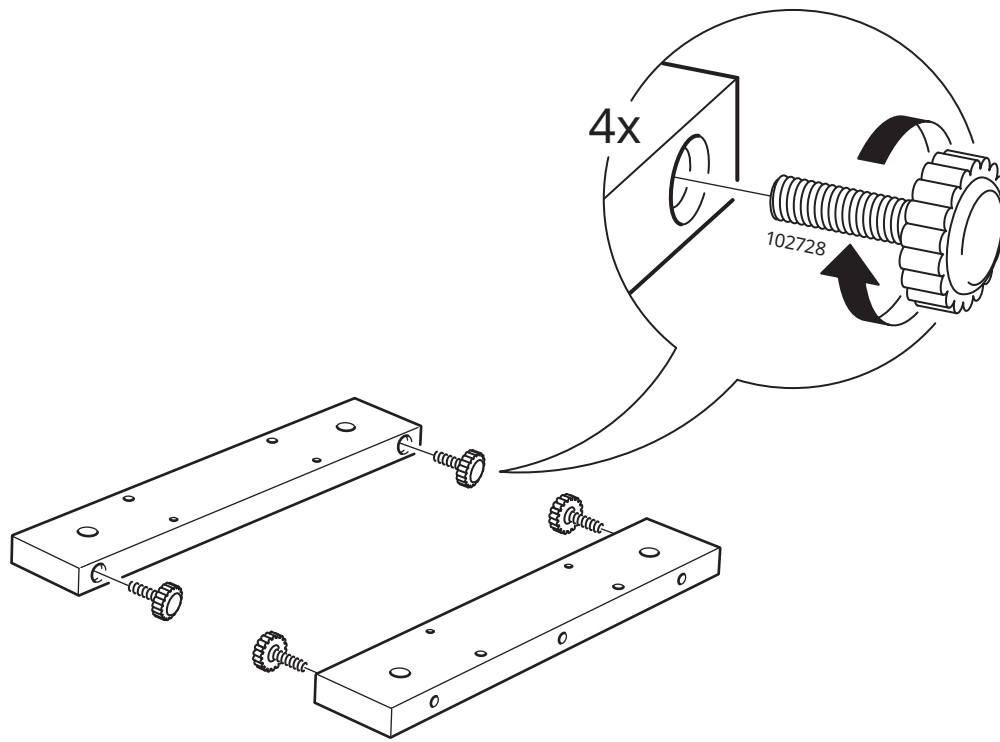
10



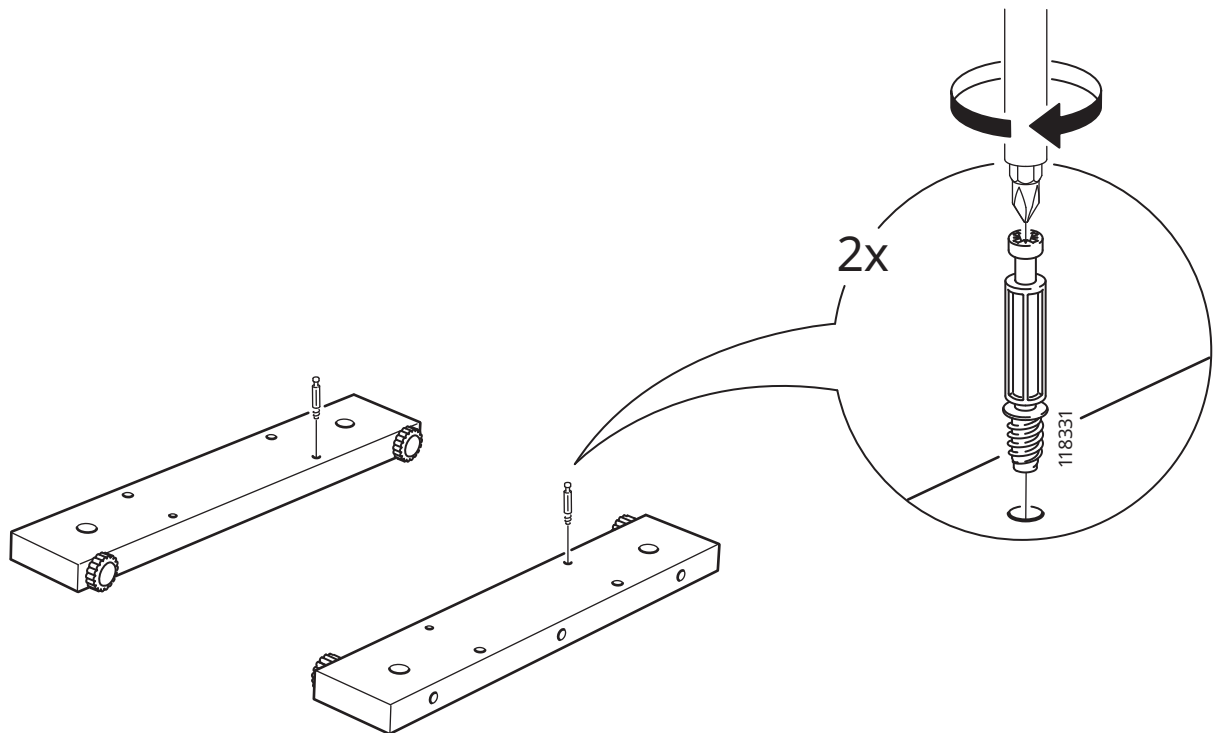
11



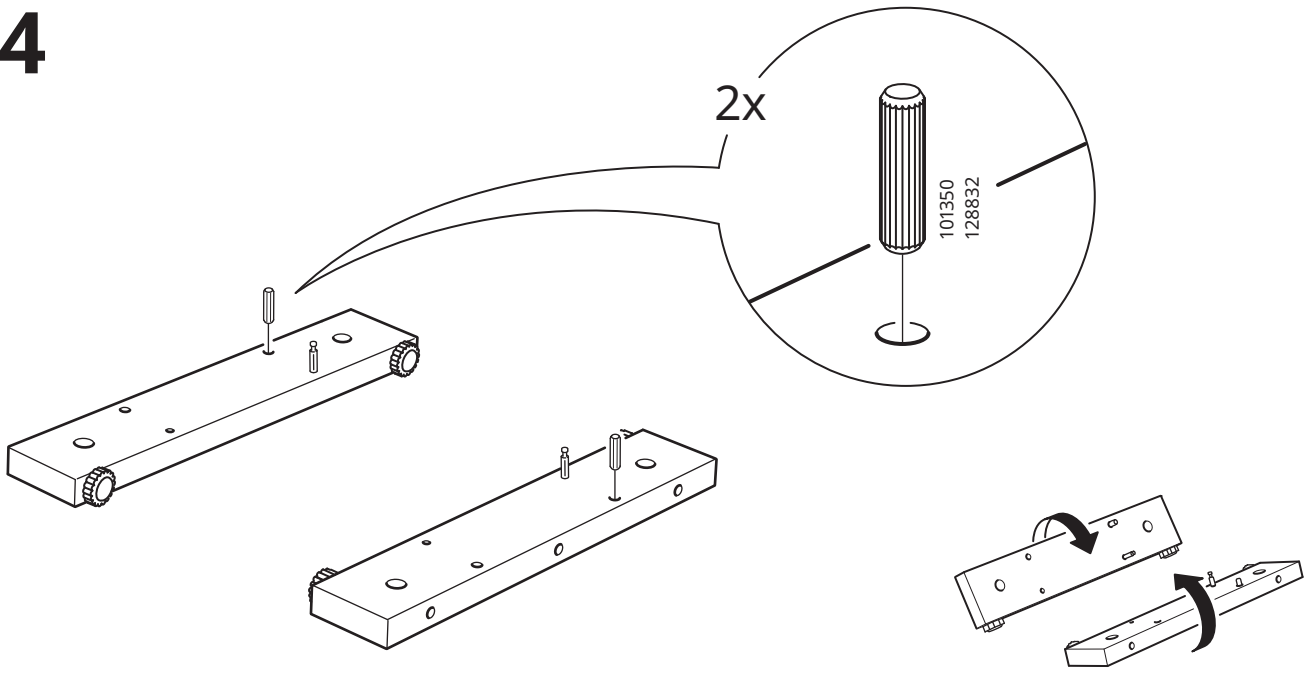
12



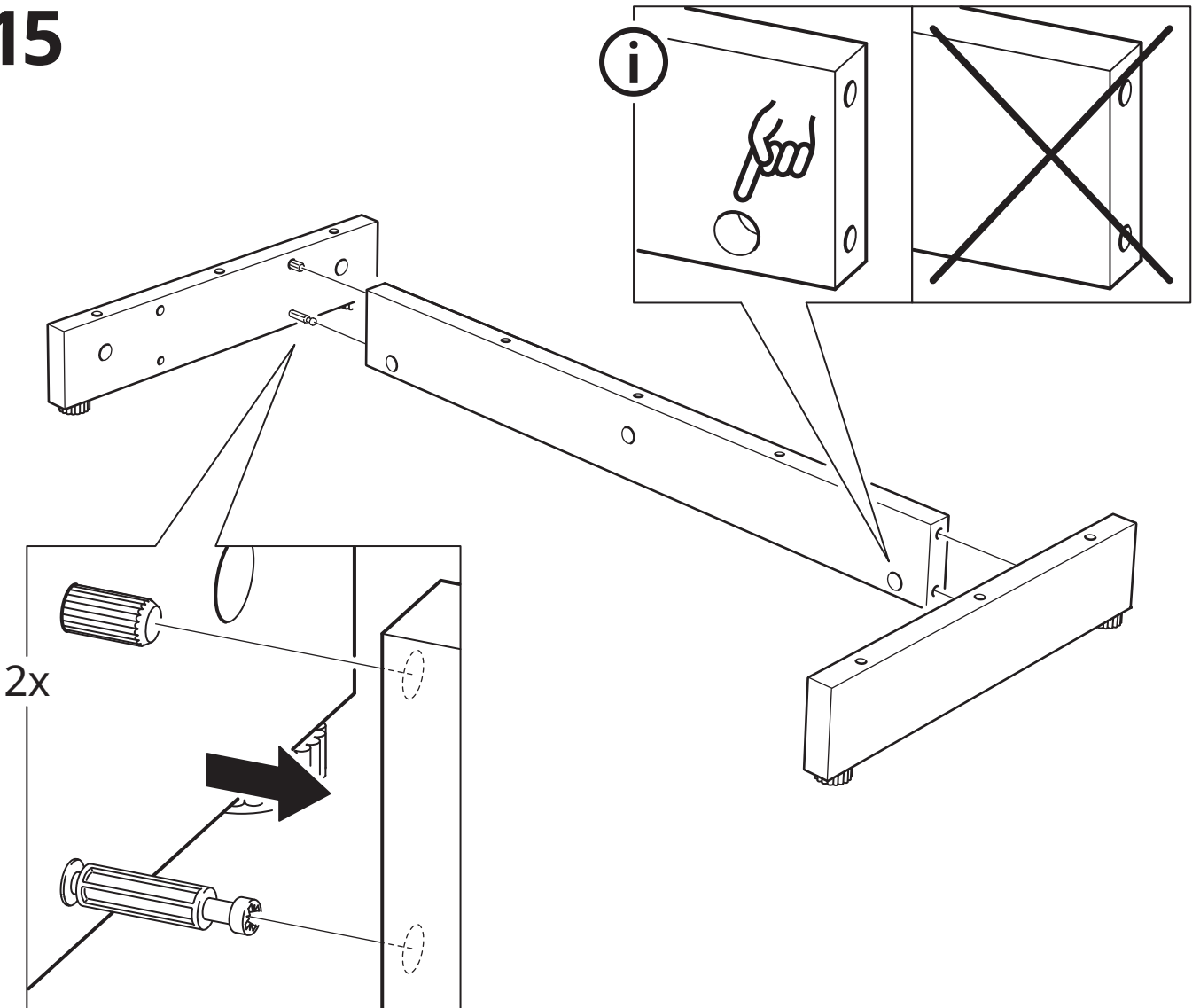
13

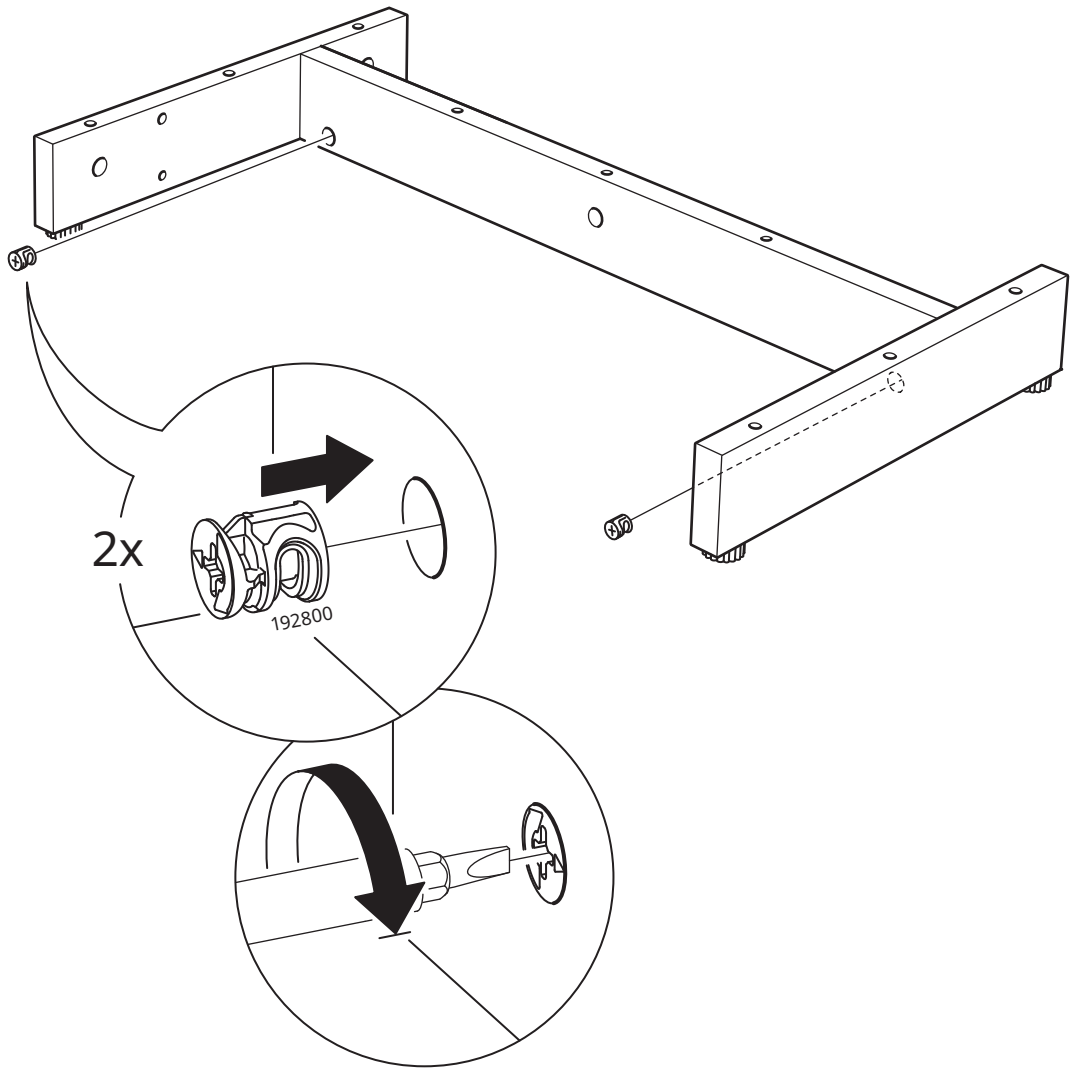
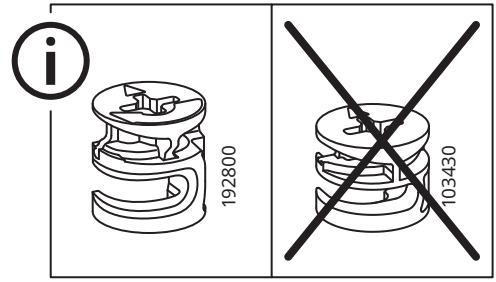


14

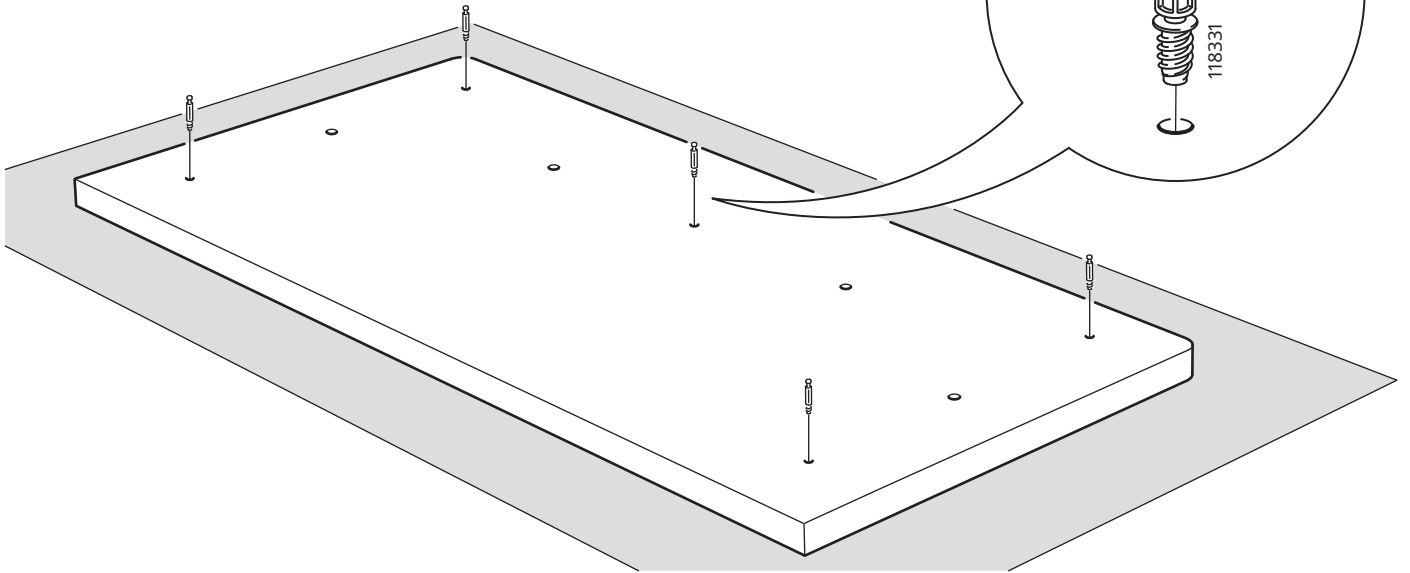
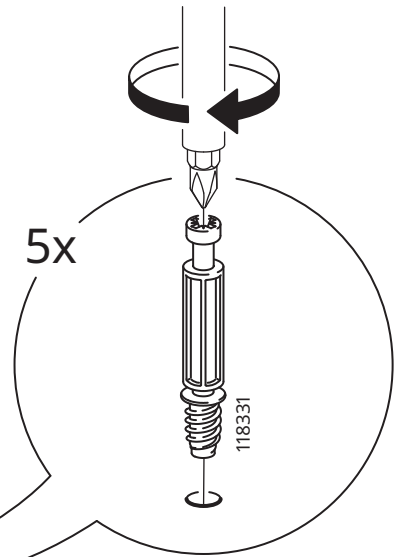
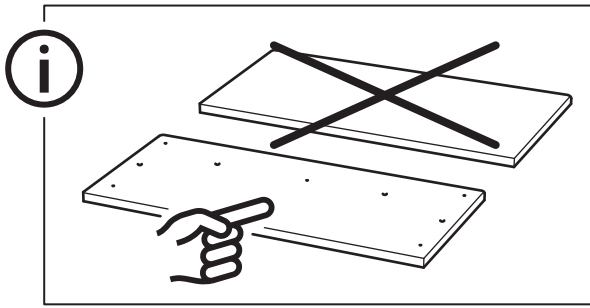


15



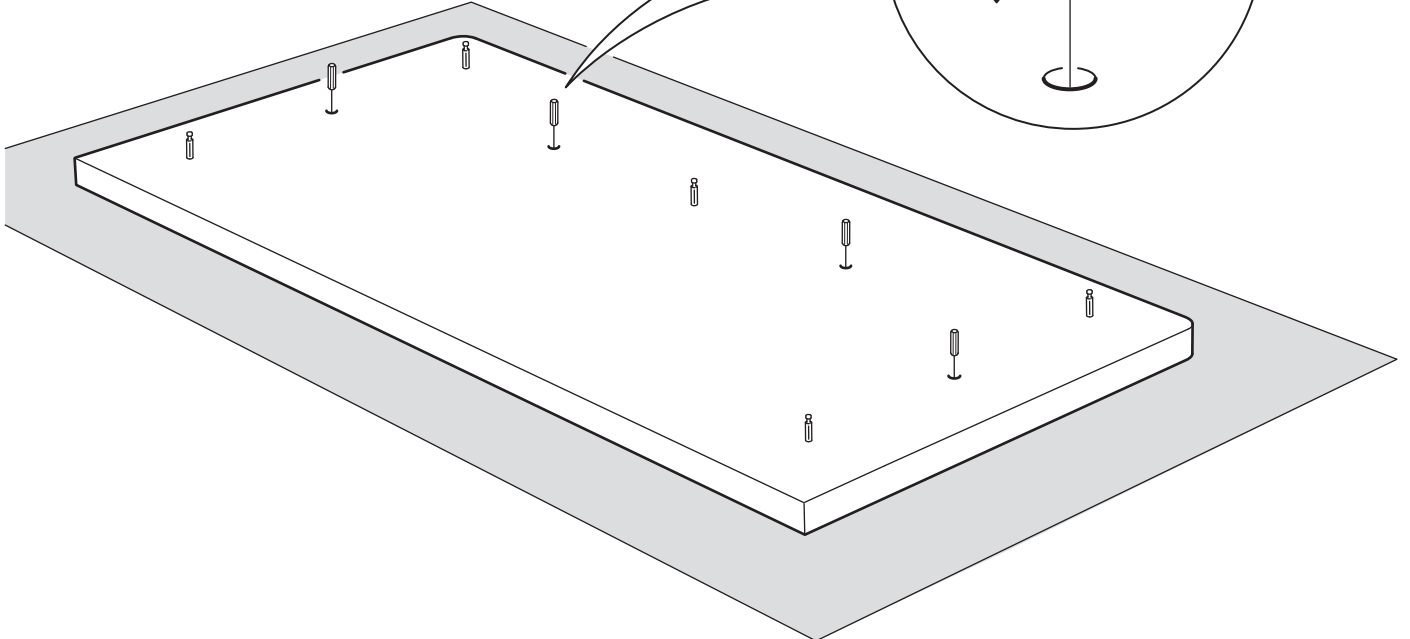
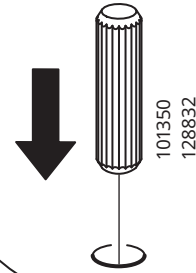


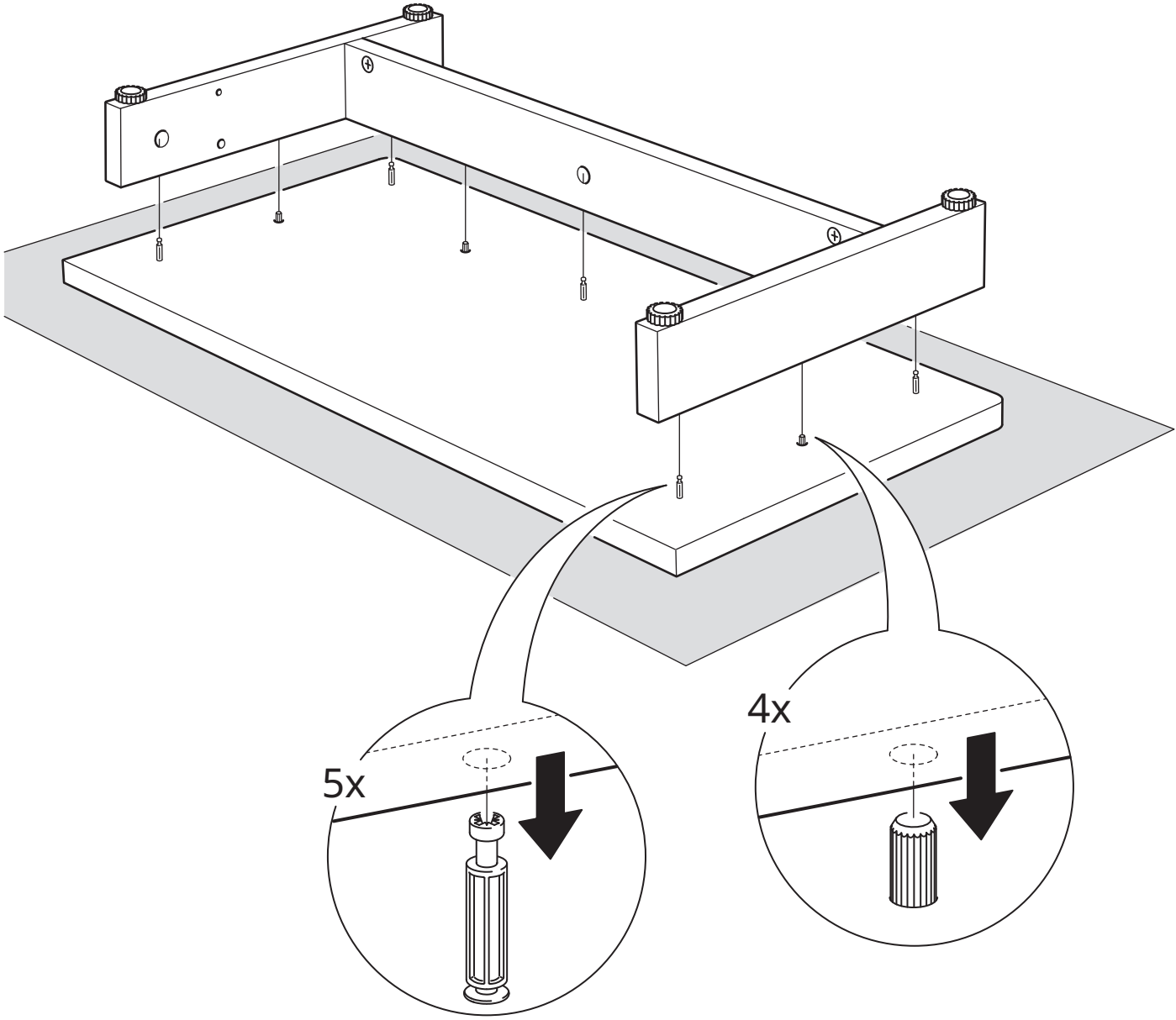
17



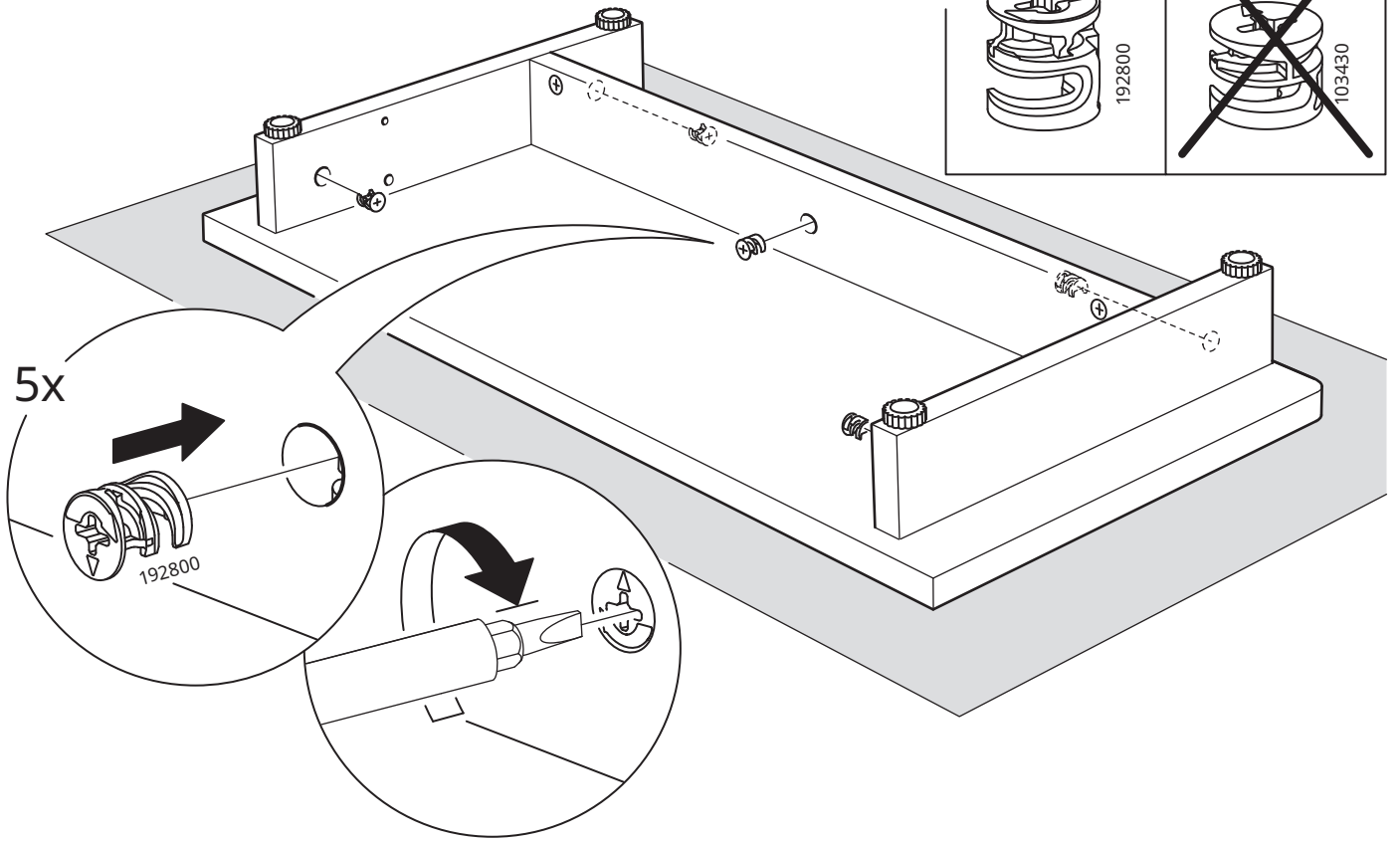
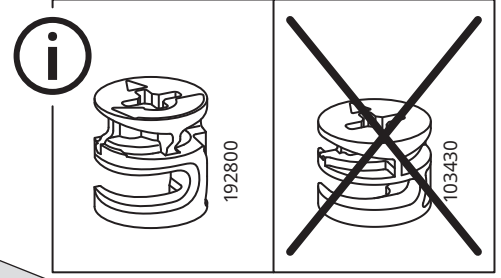
18

4x

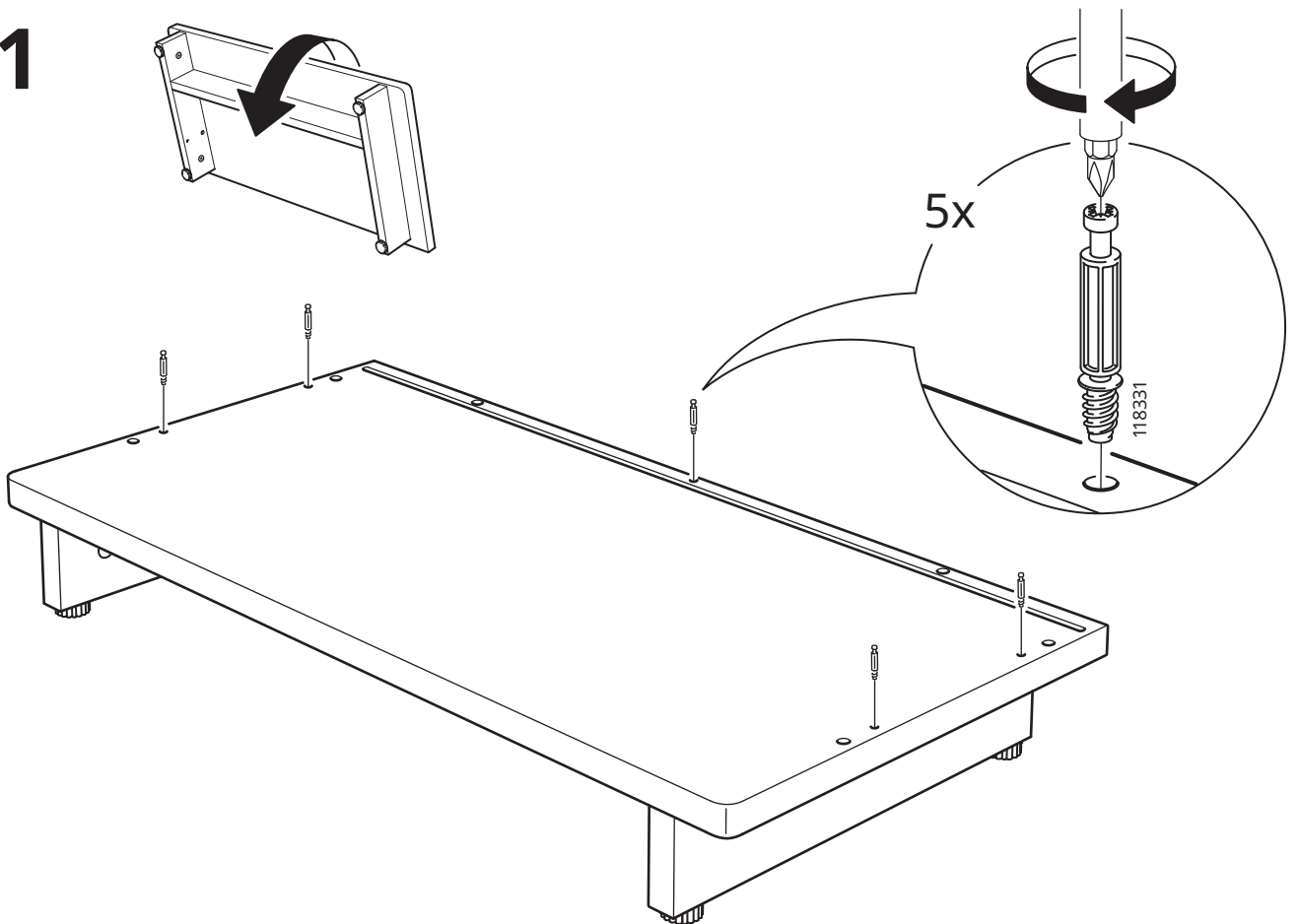




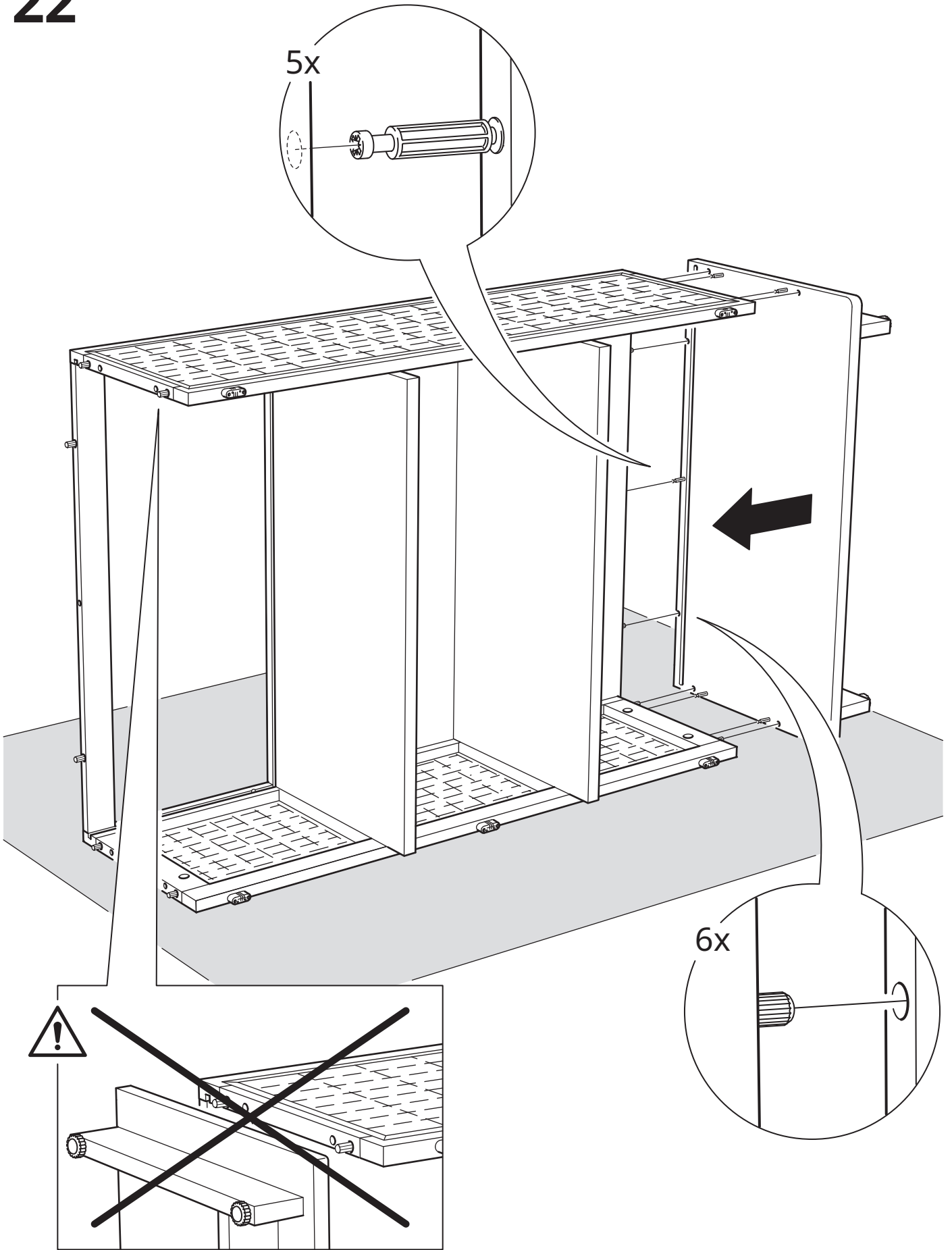
20

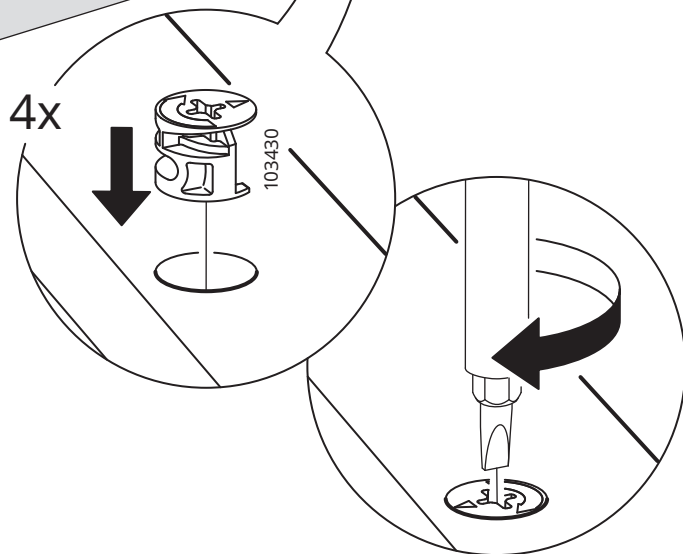
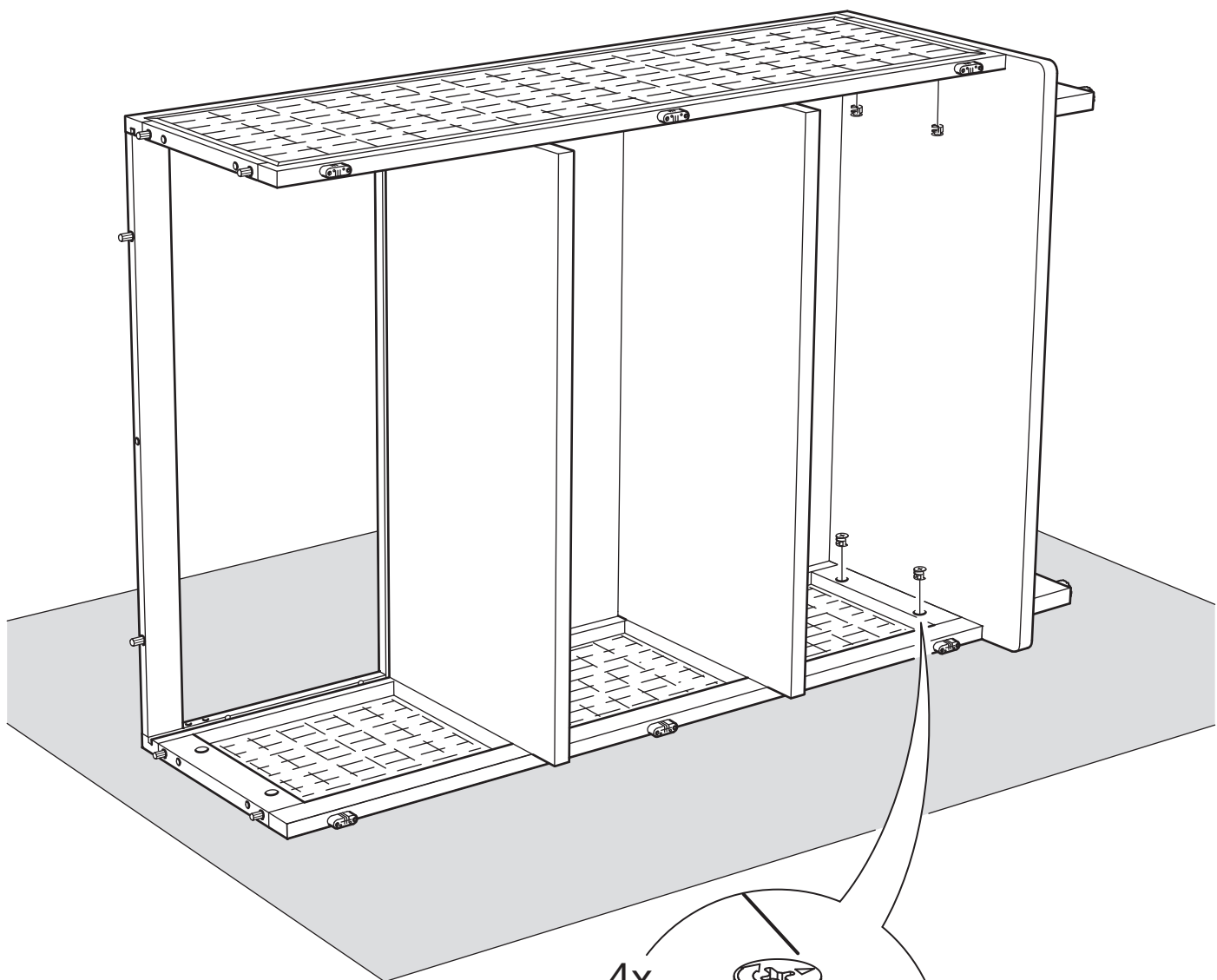
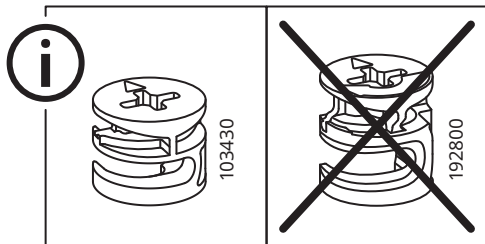


21

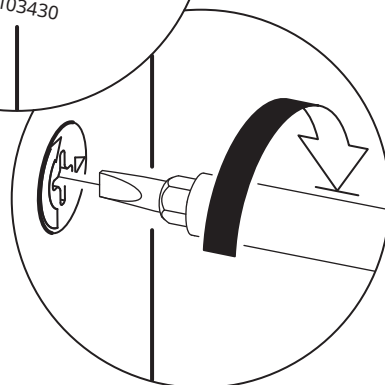
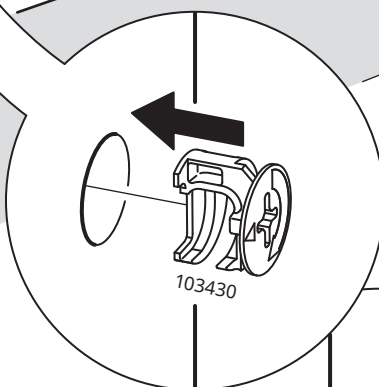
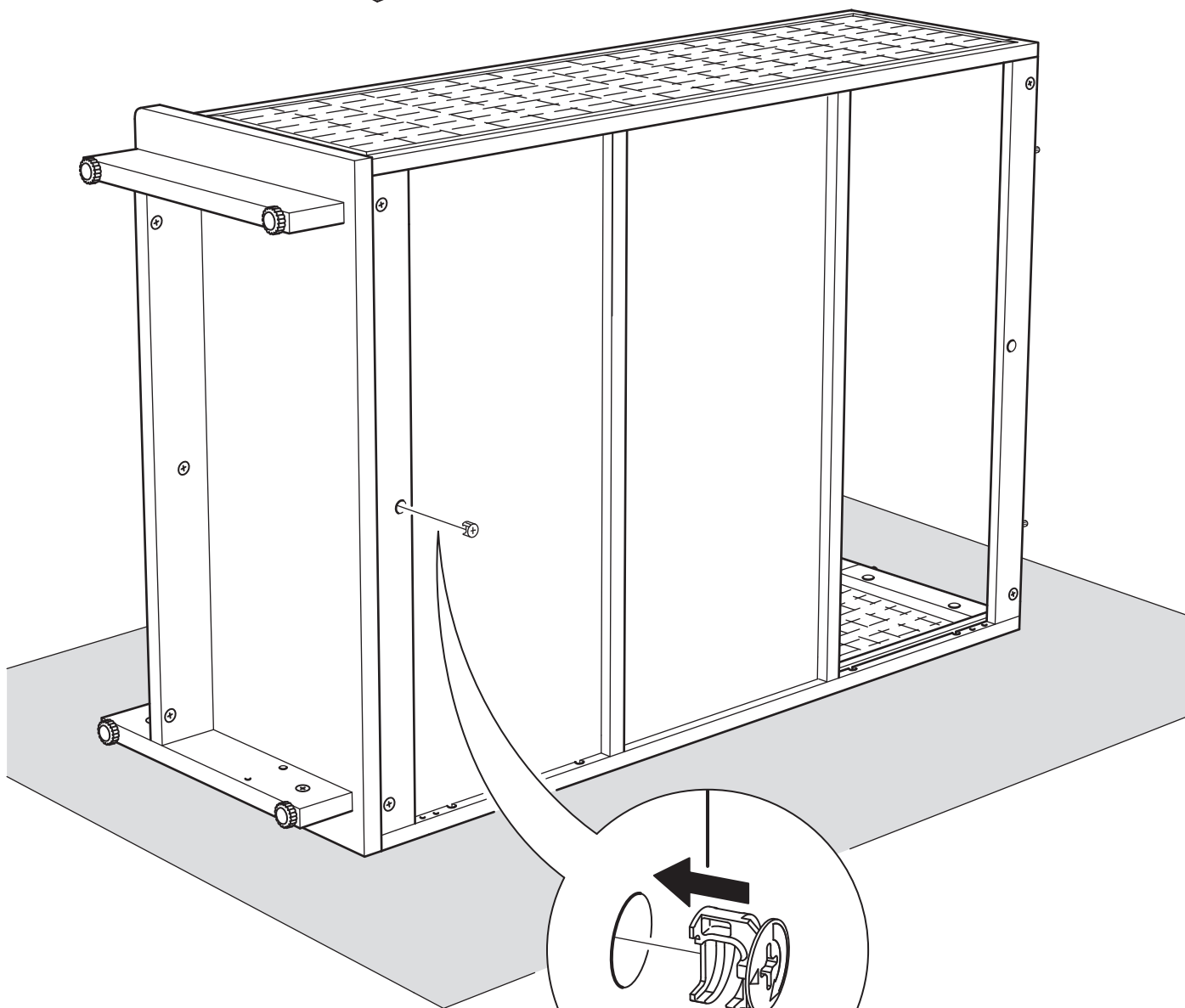
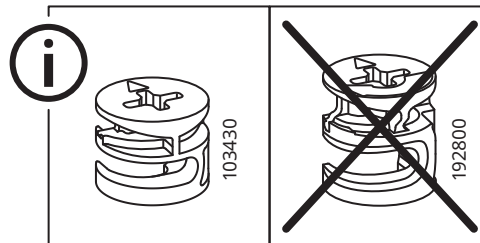
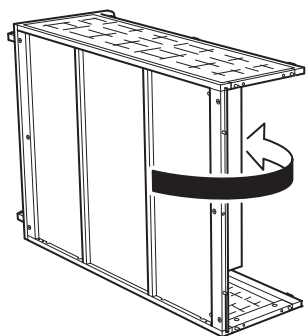


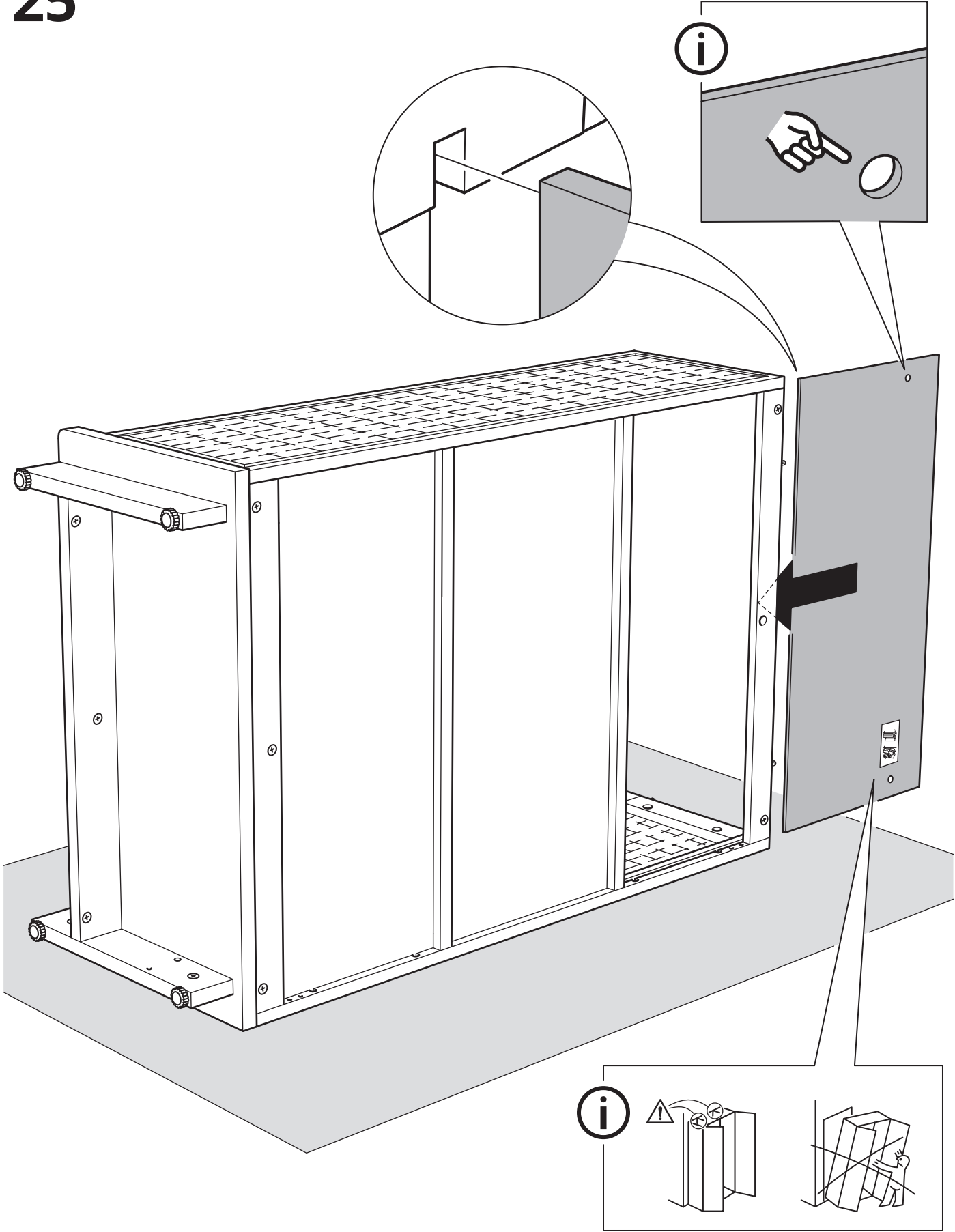
22



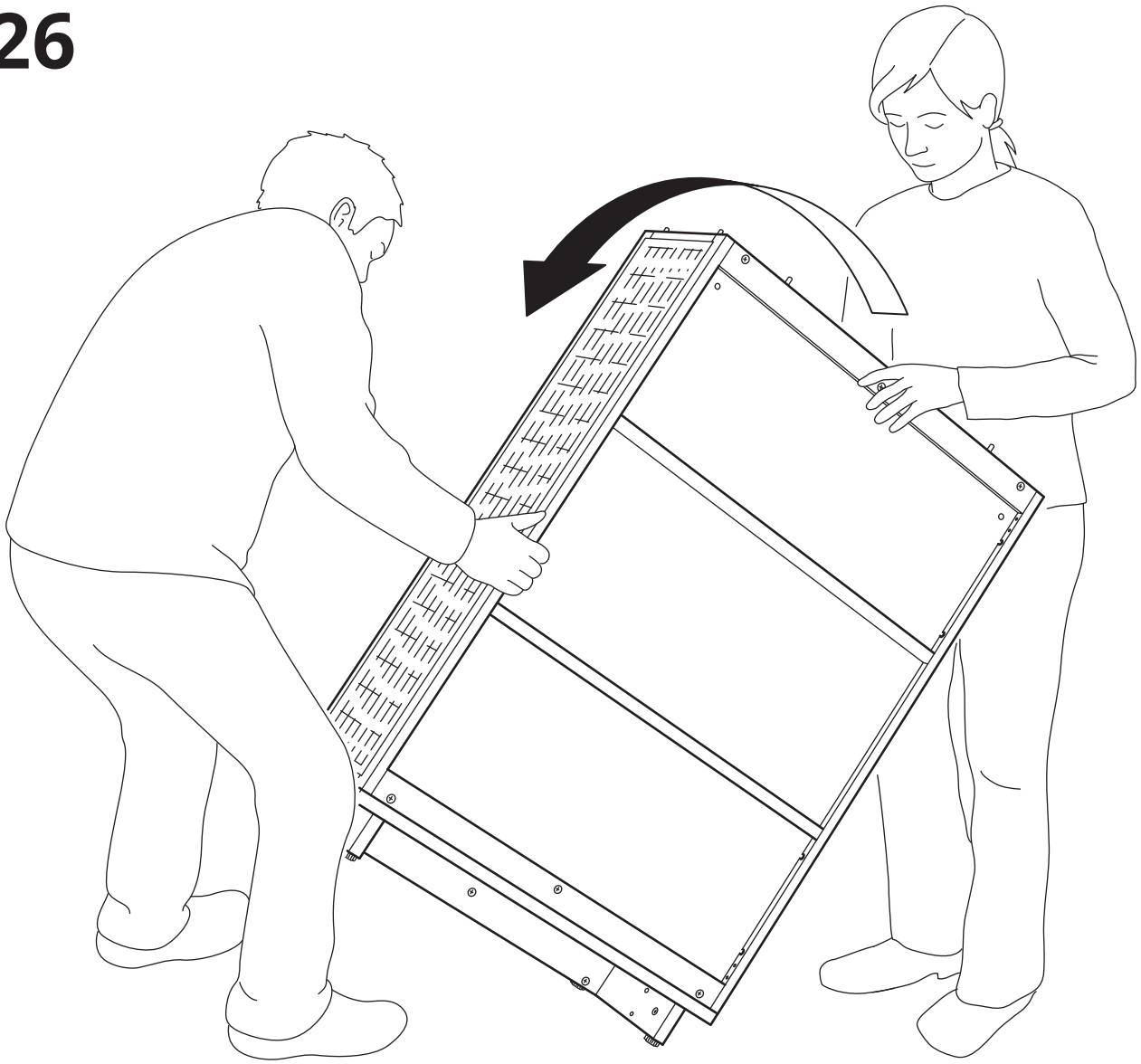


24

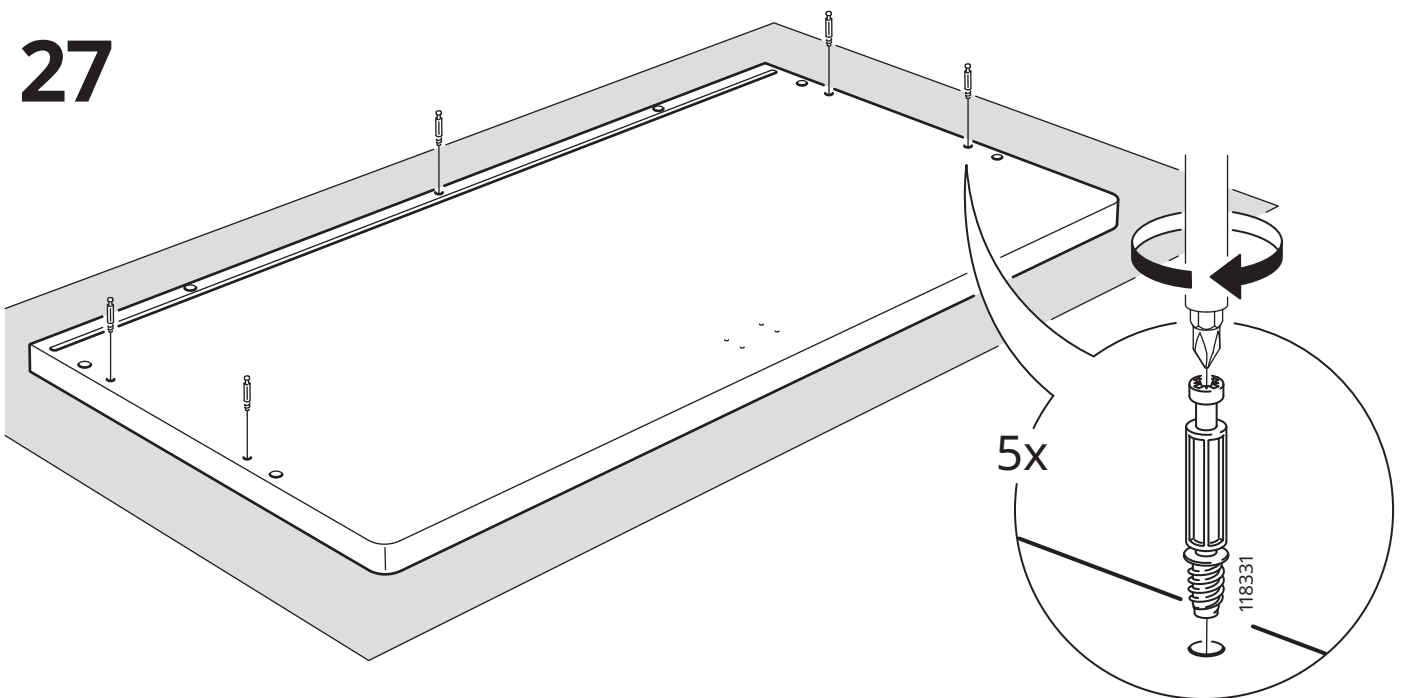




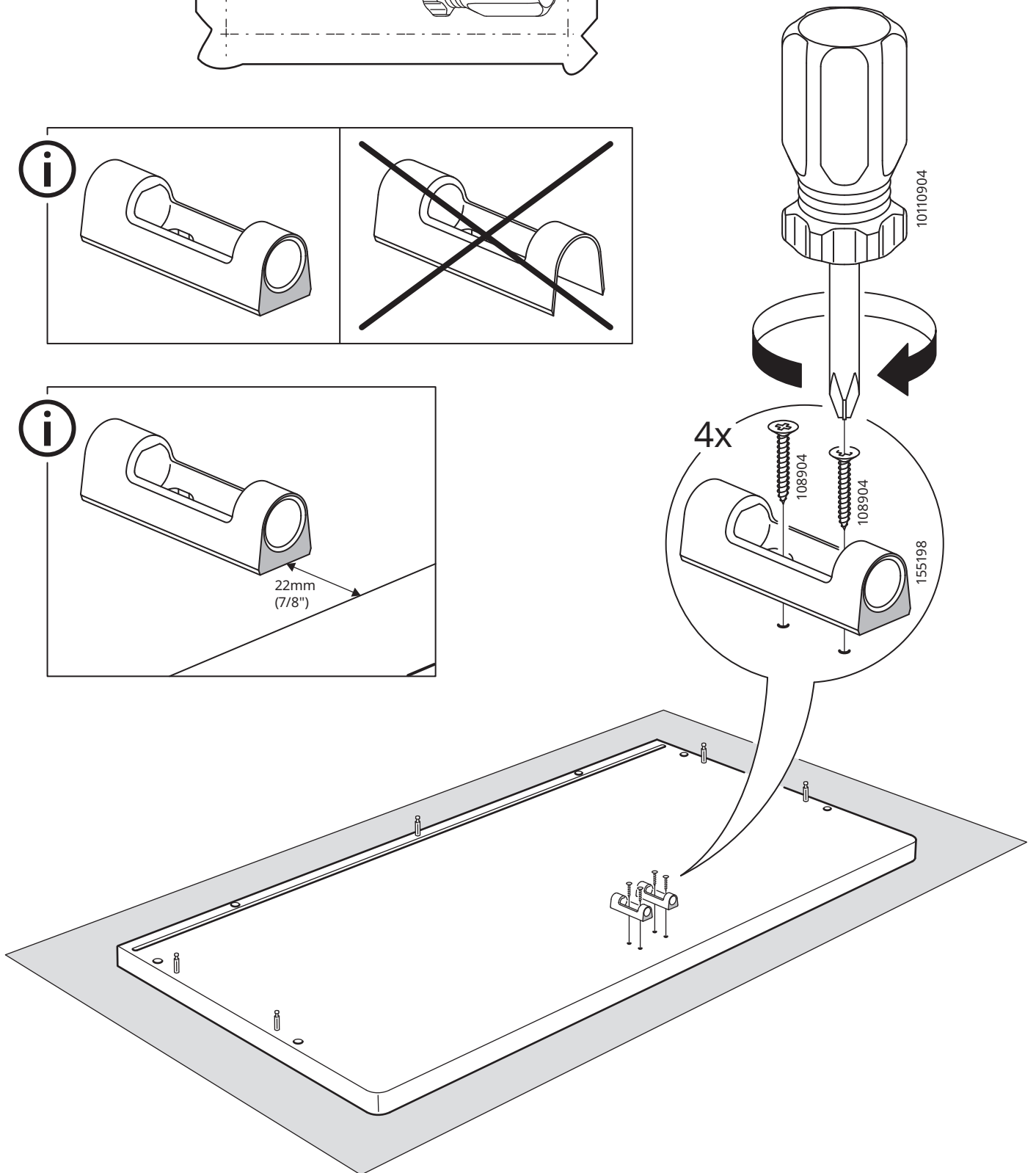
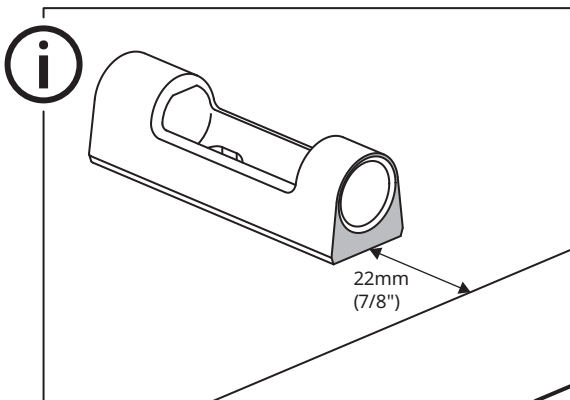
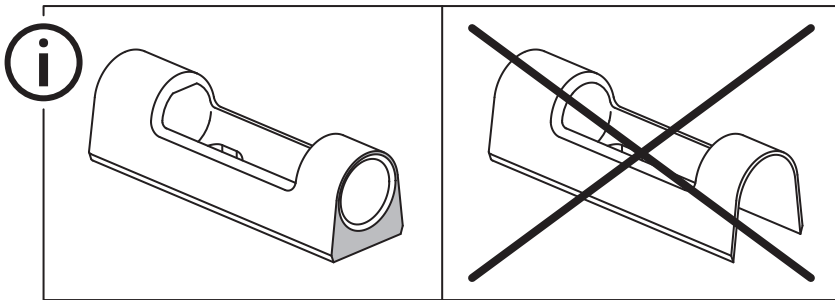
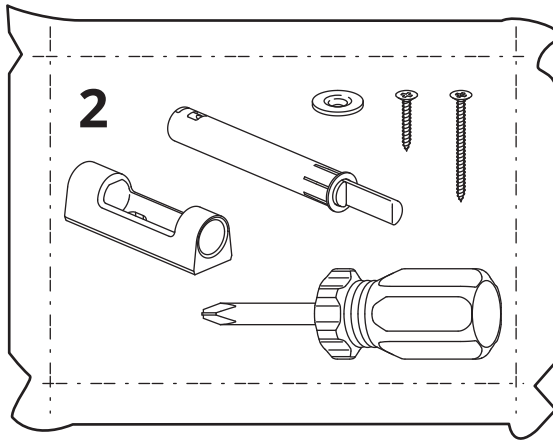
26



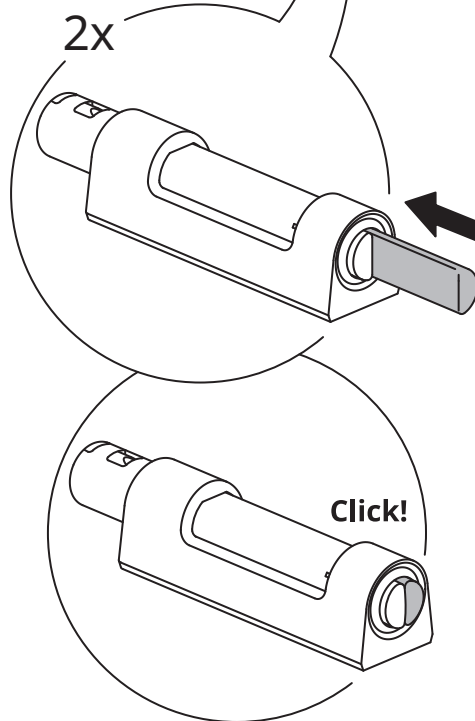
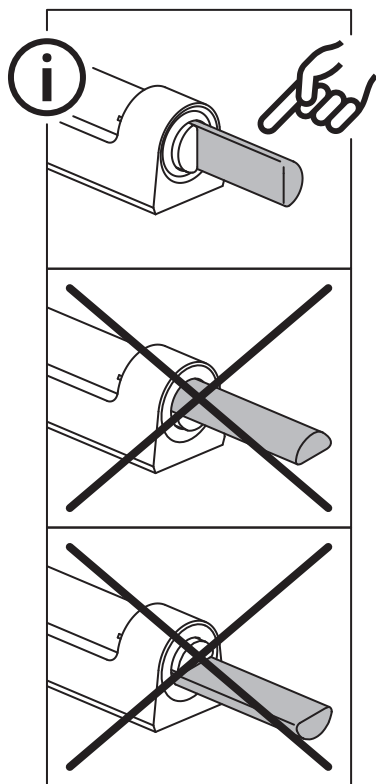
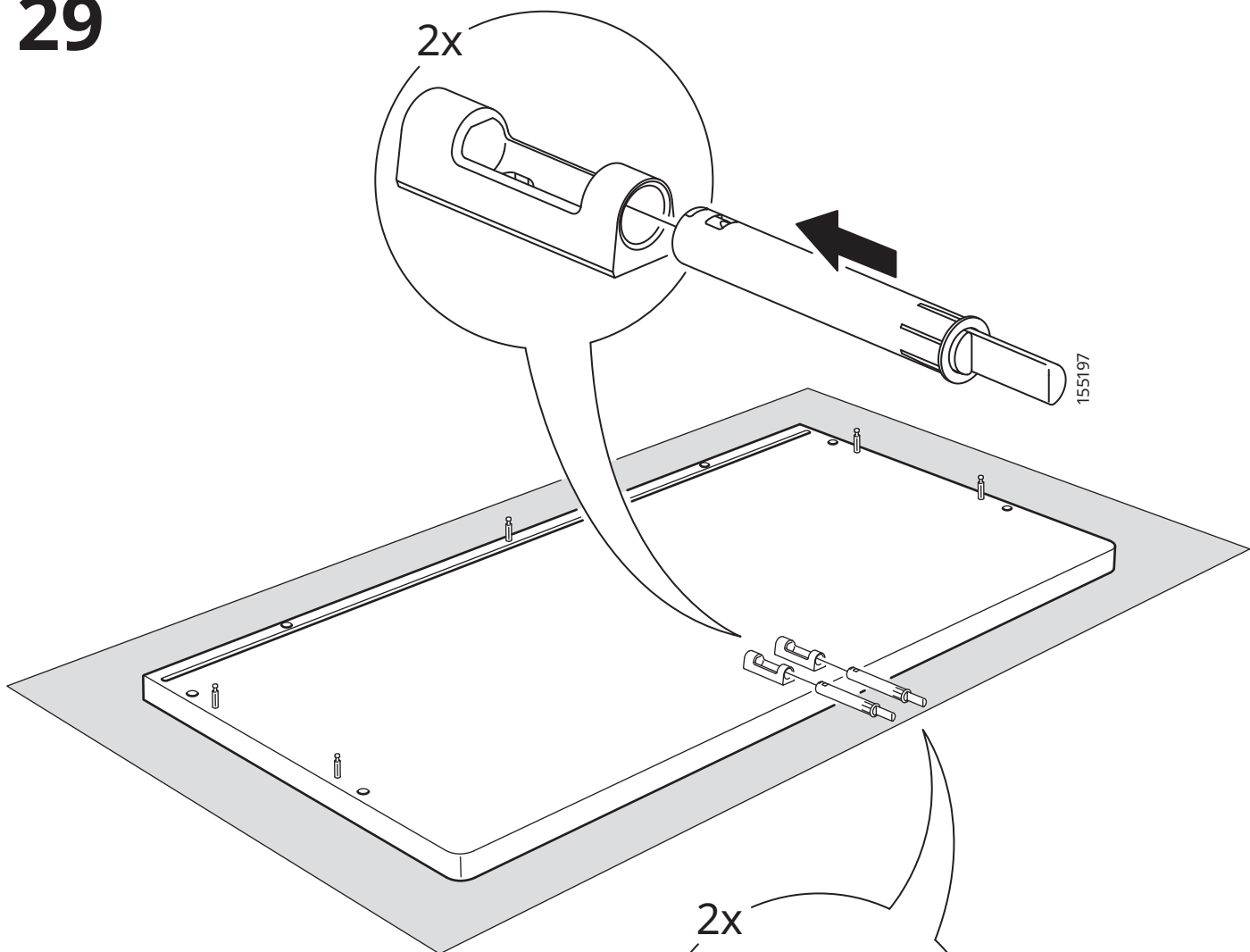
27



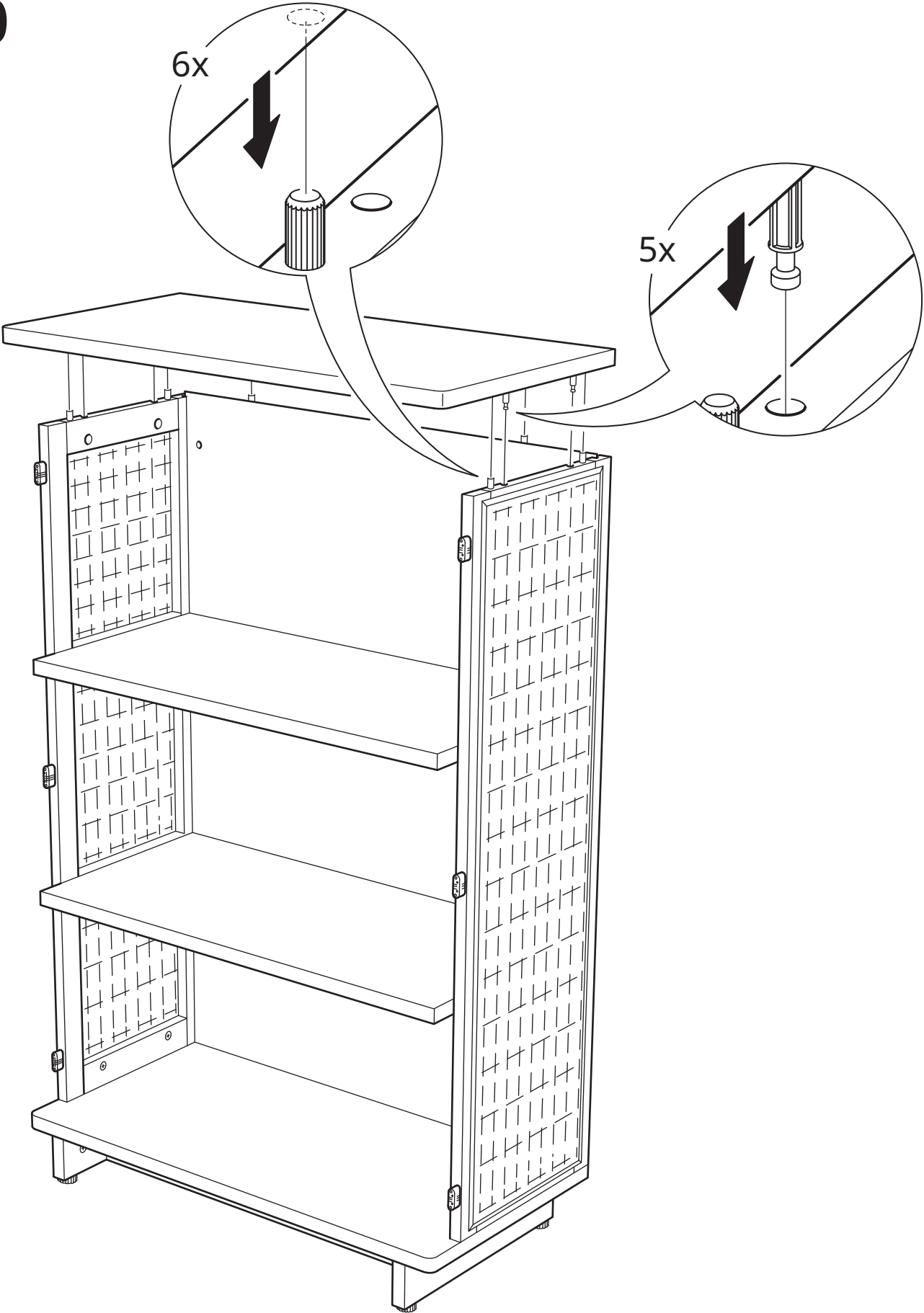
28



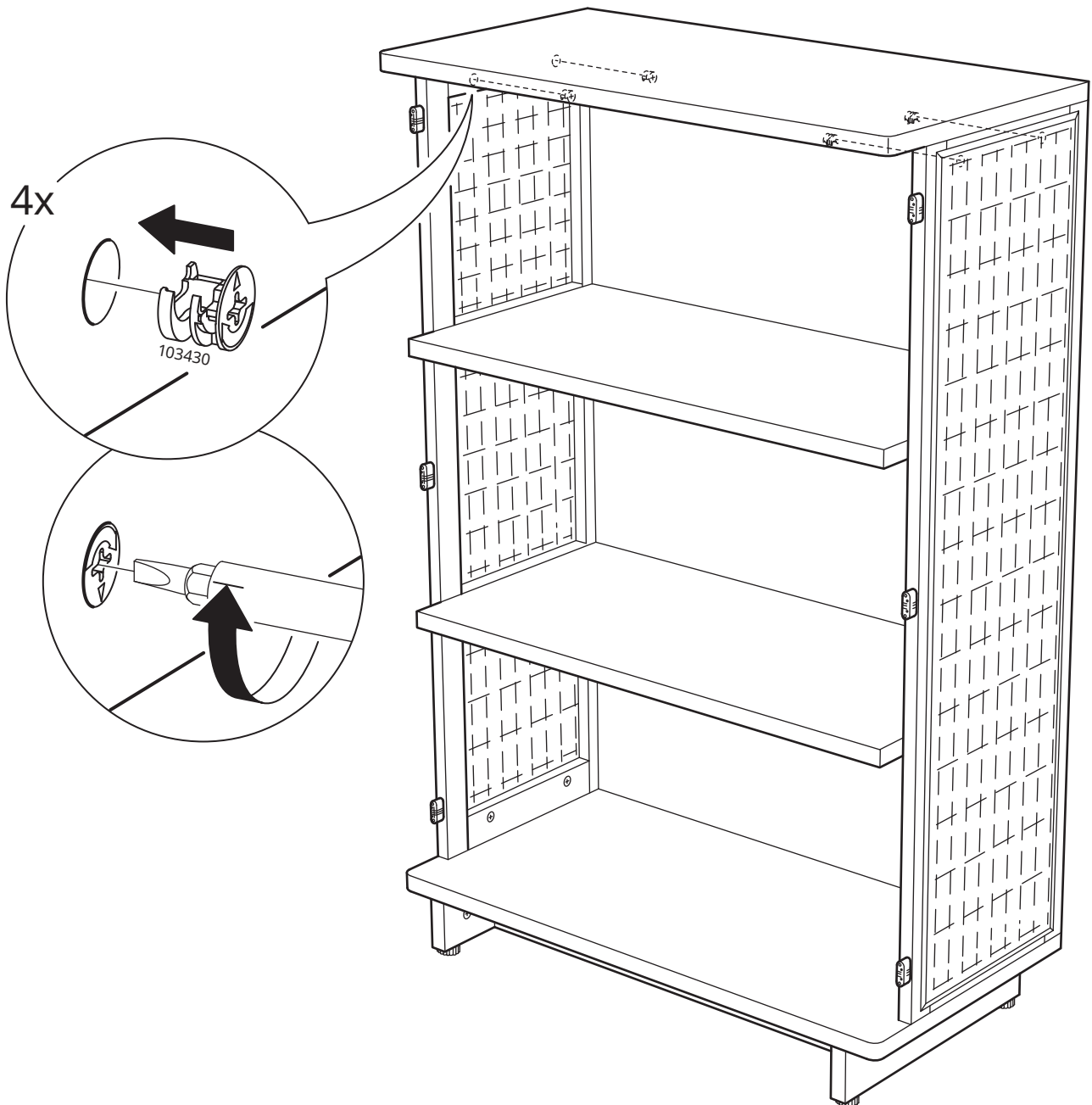
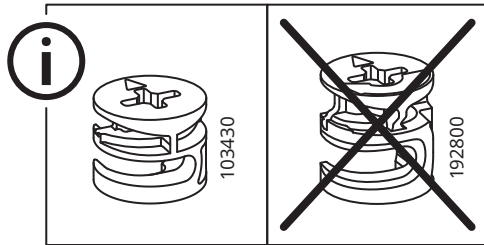
29

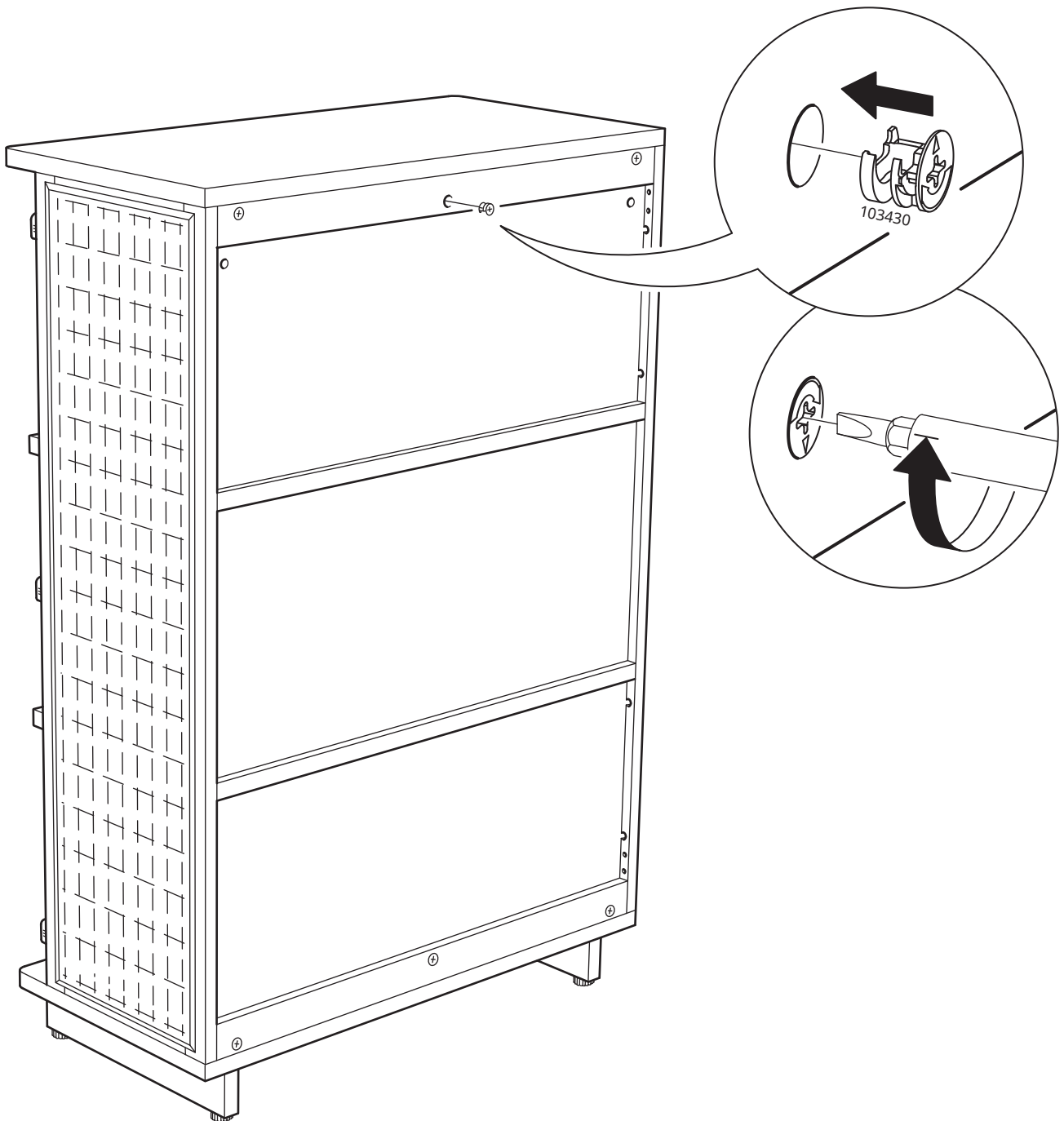
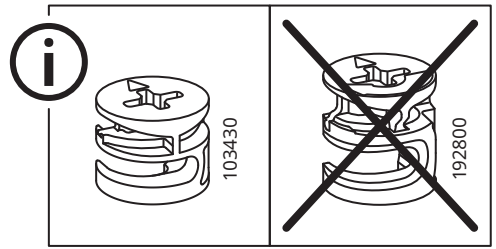
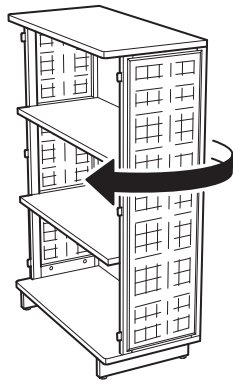


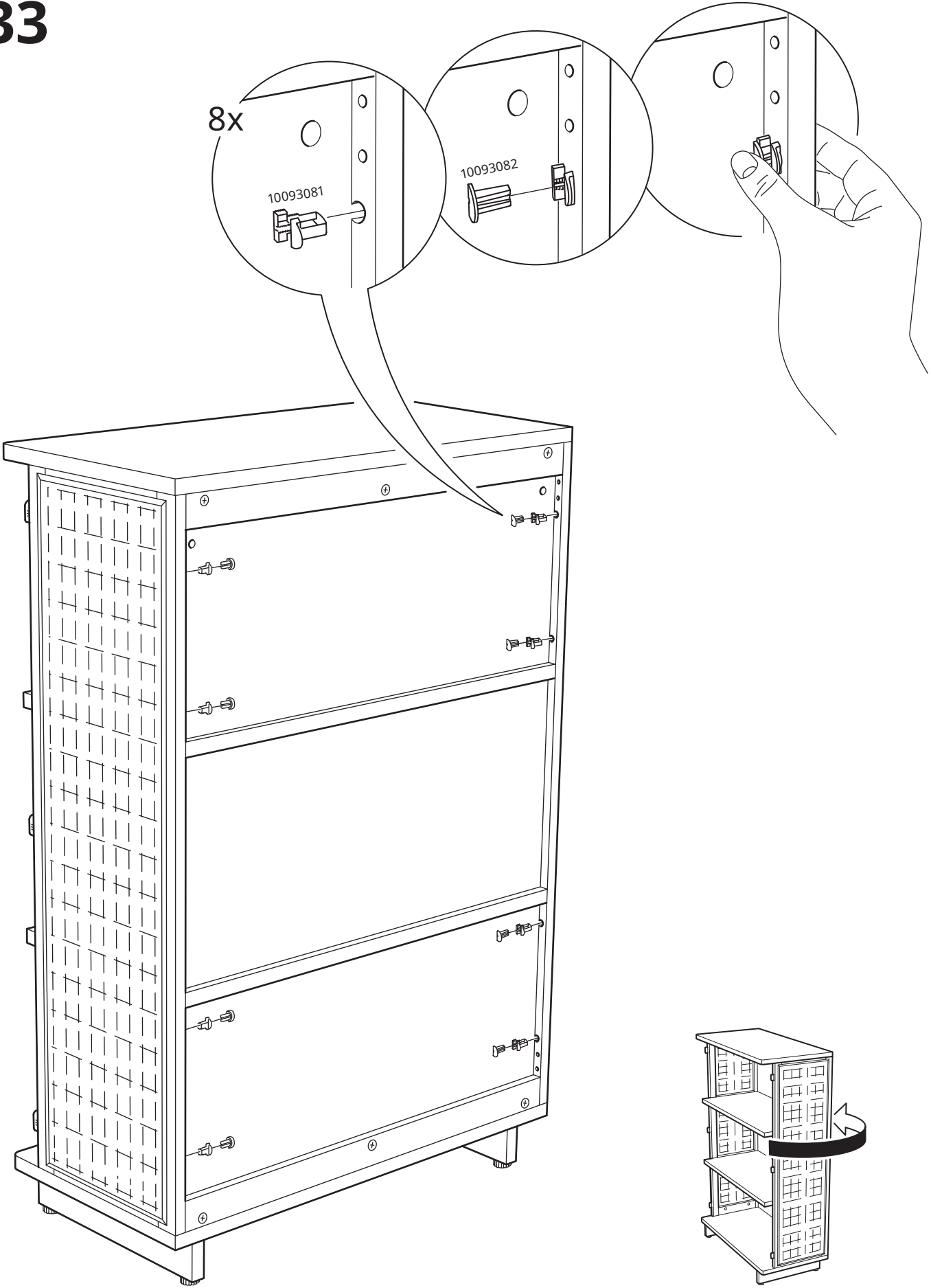
30

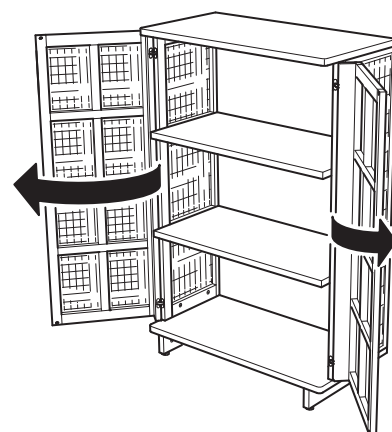
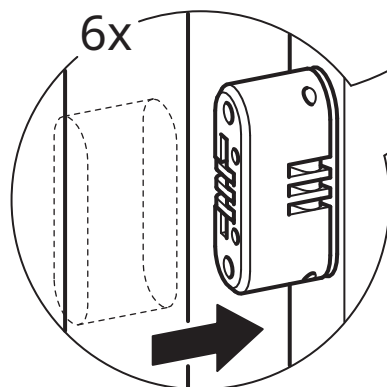
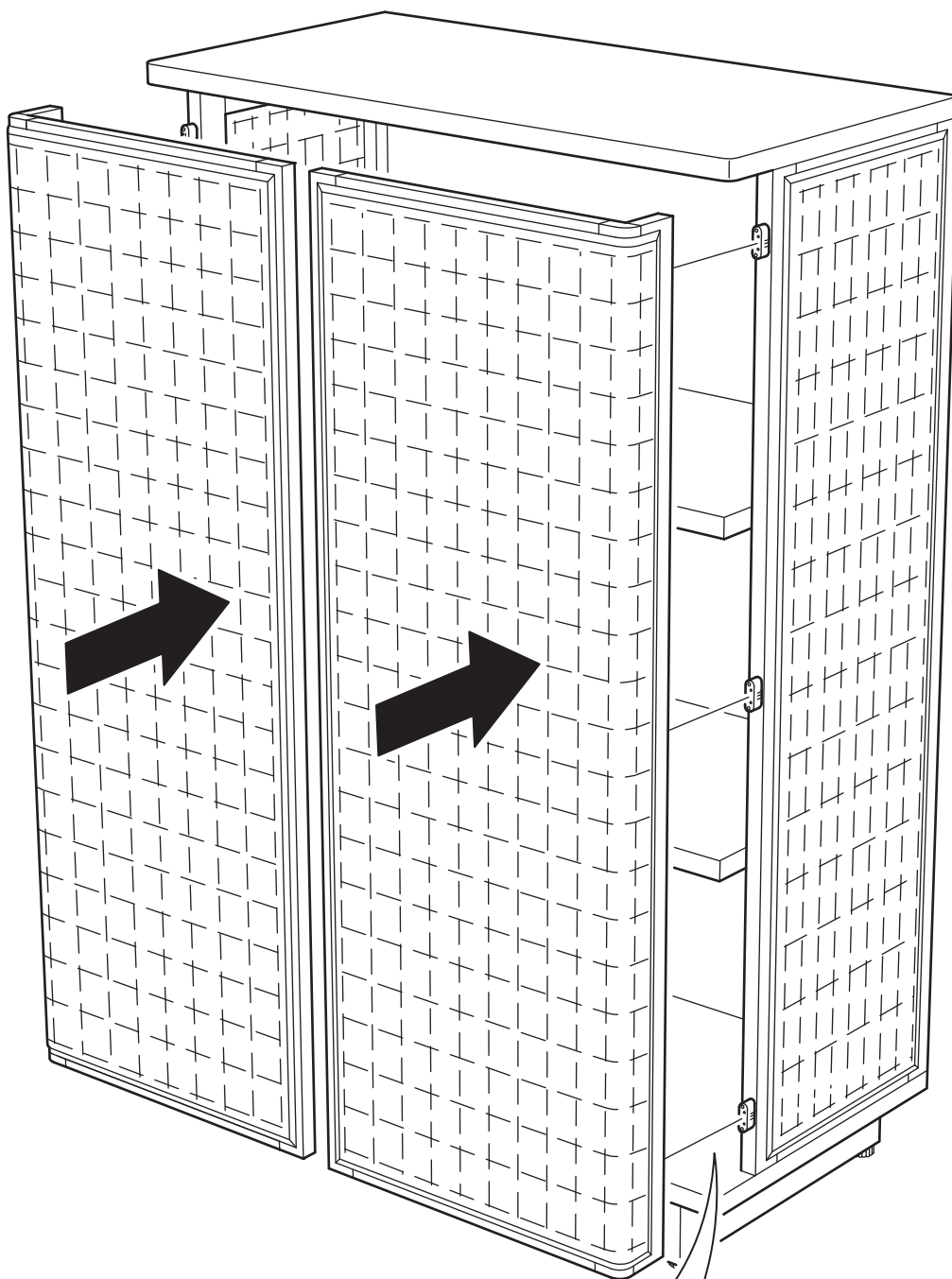


31



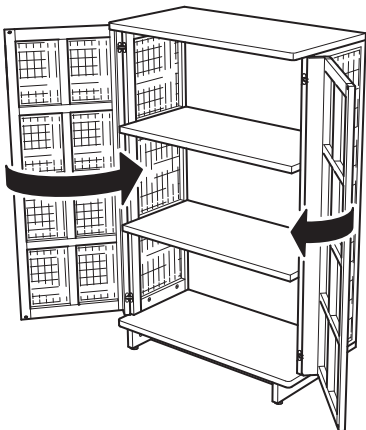
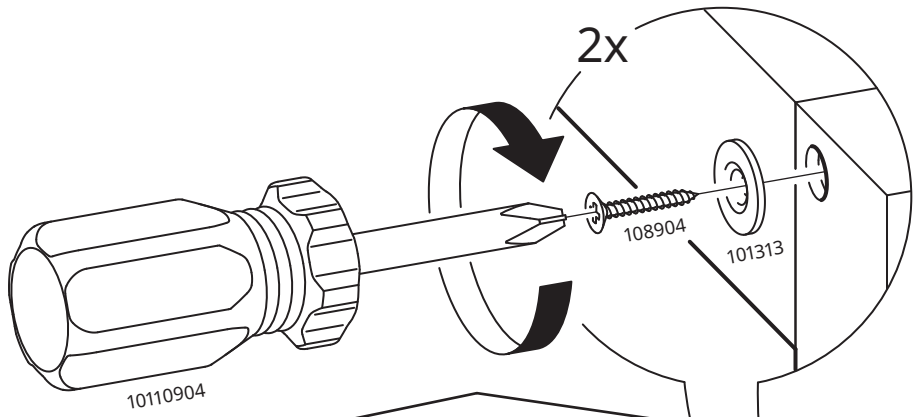


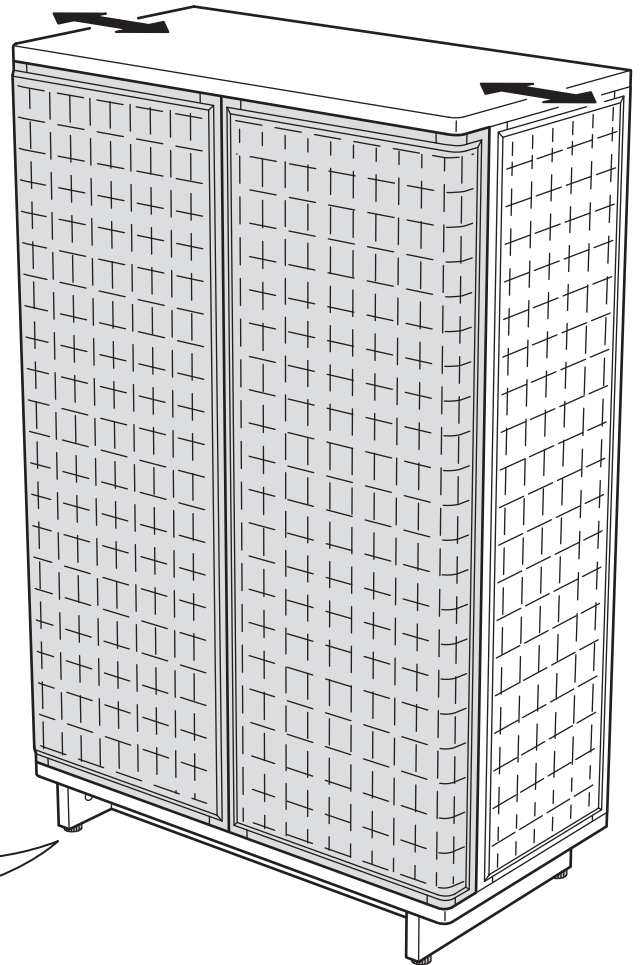
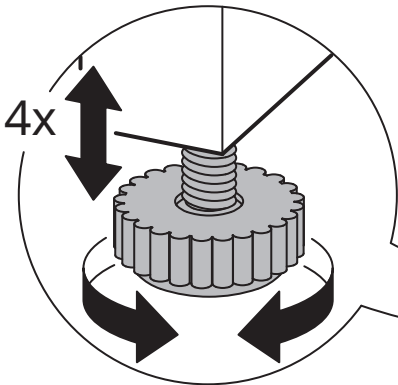
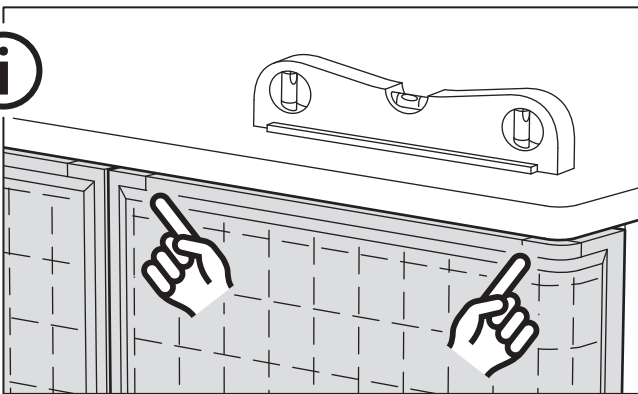
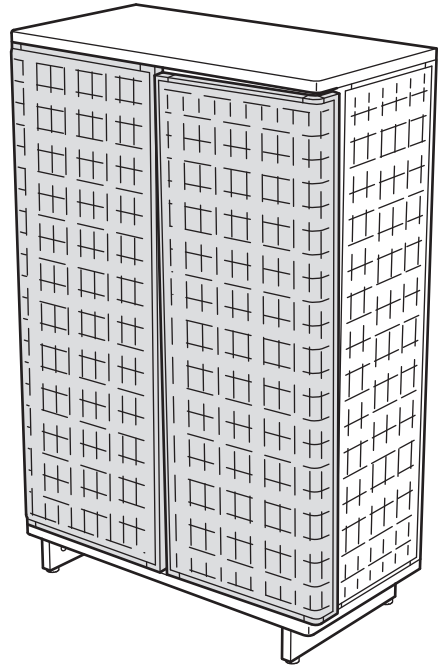
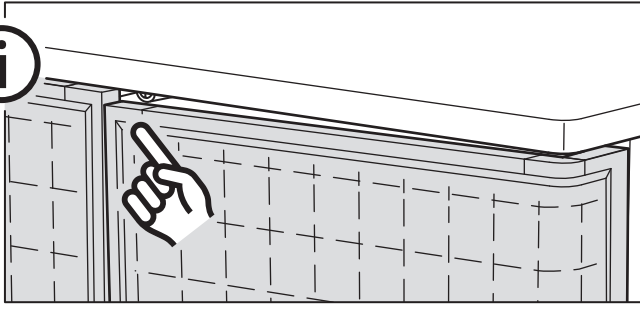




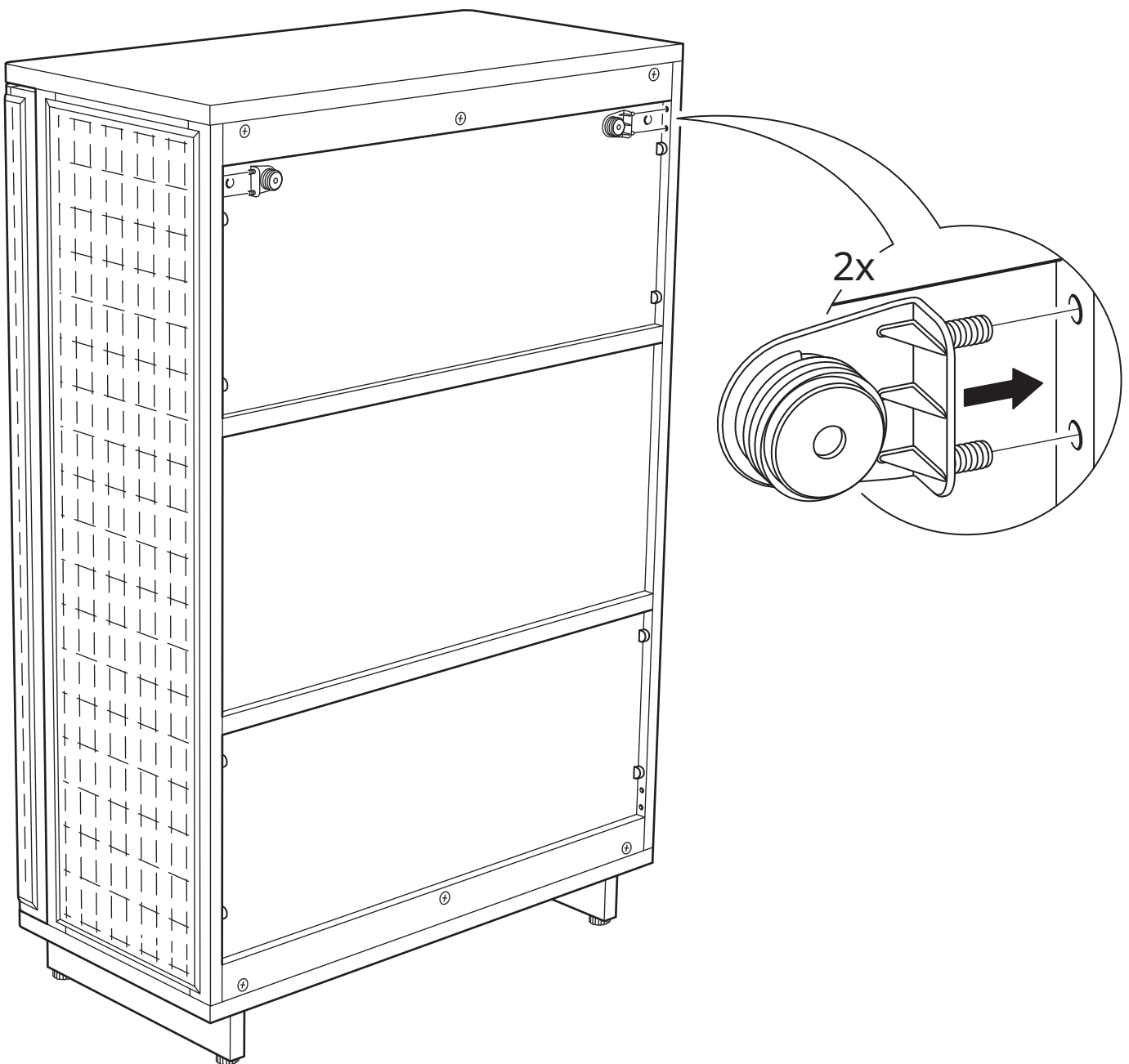
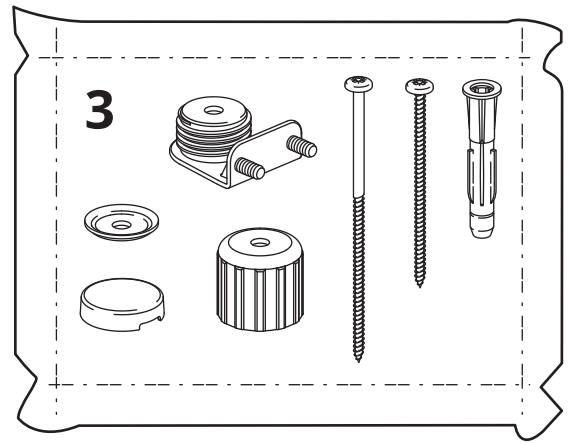
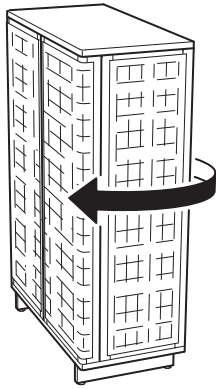


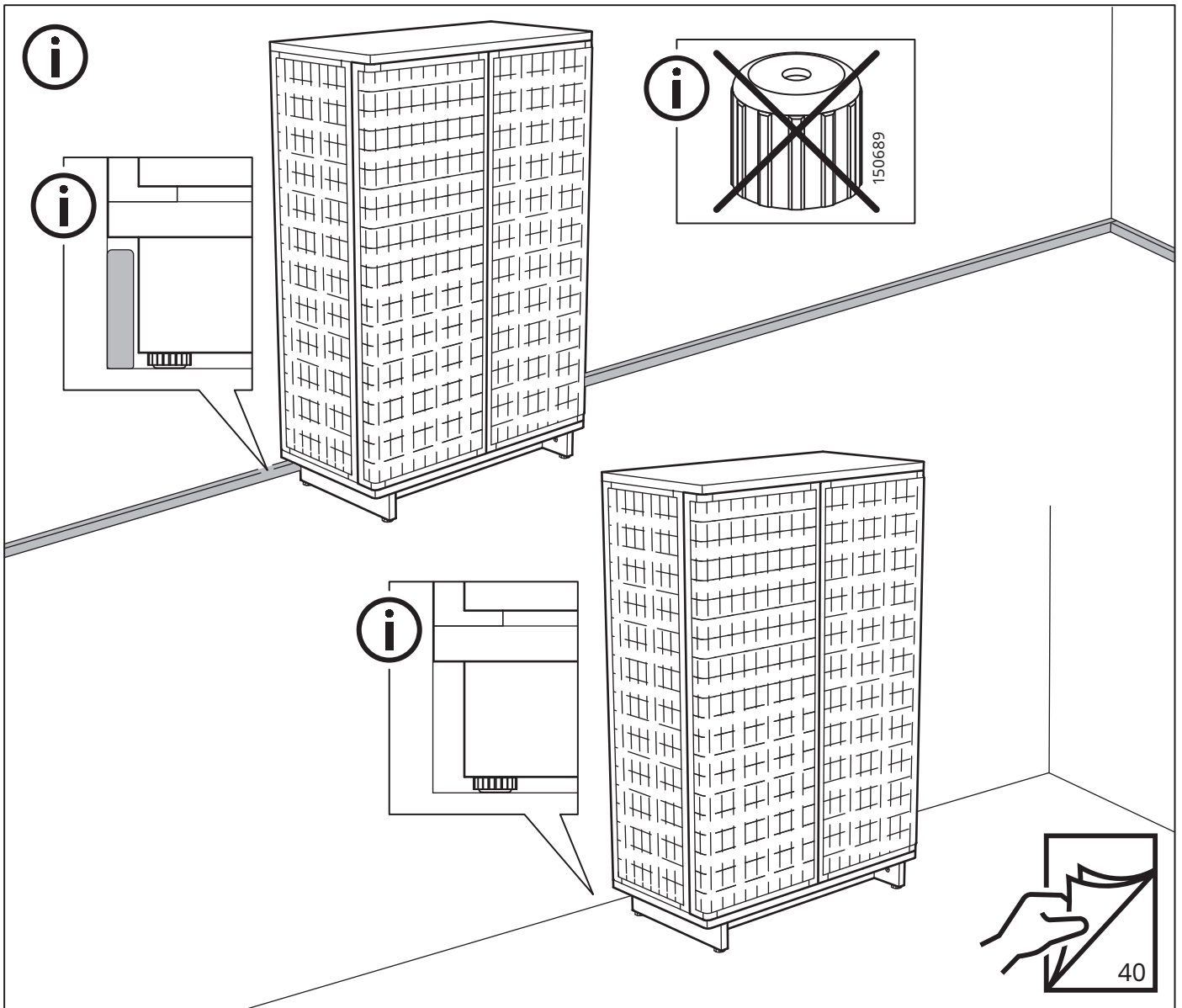
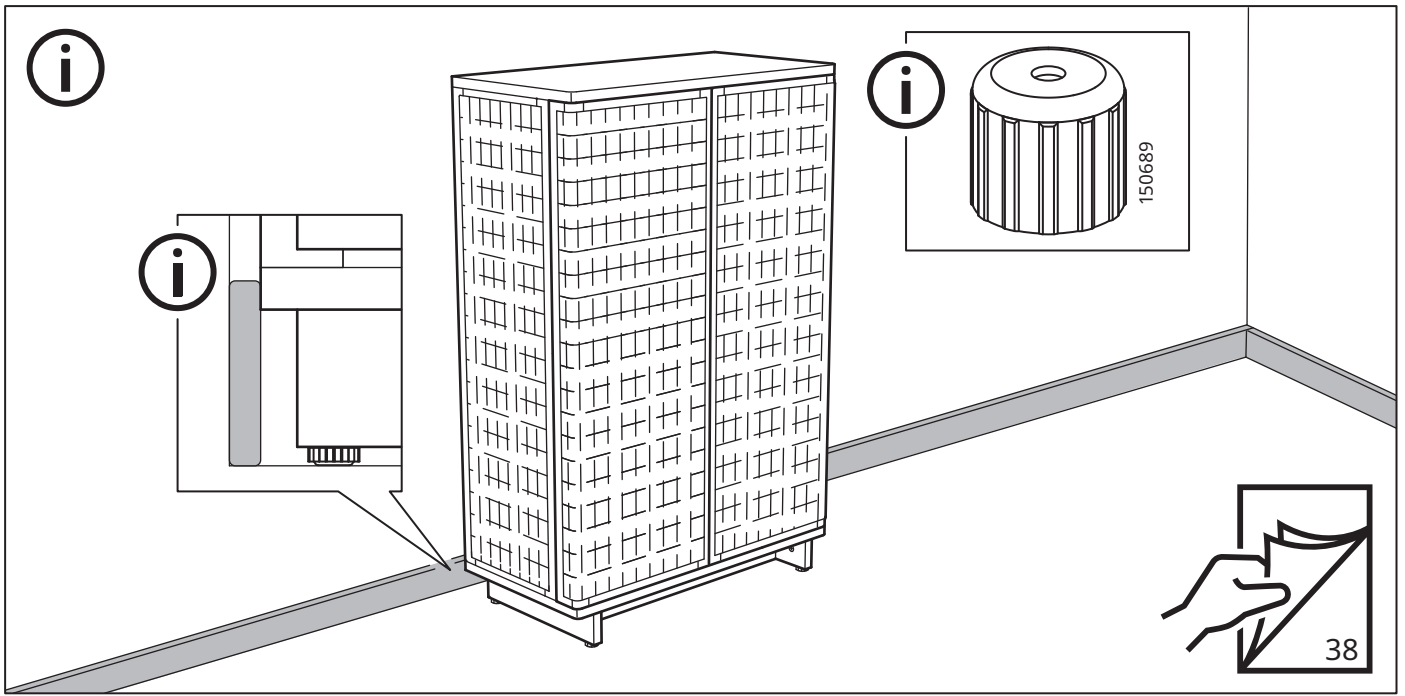
36

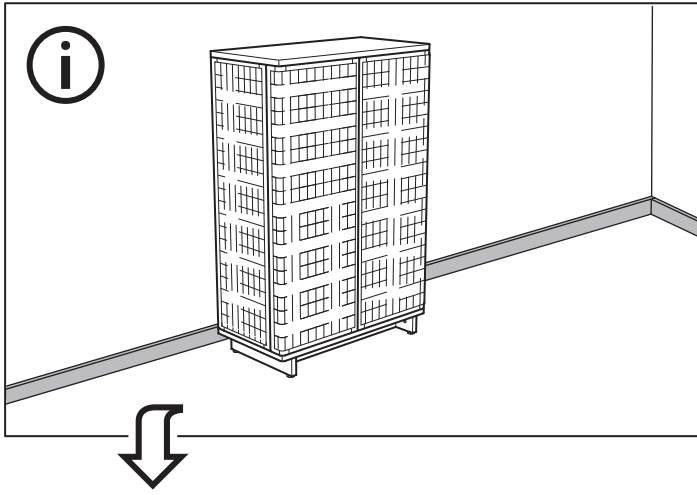




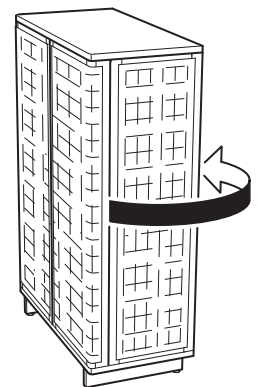
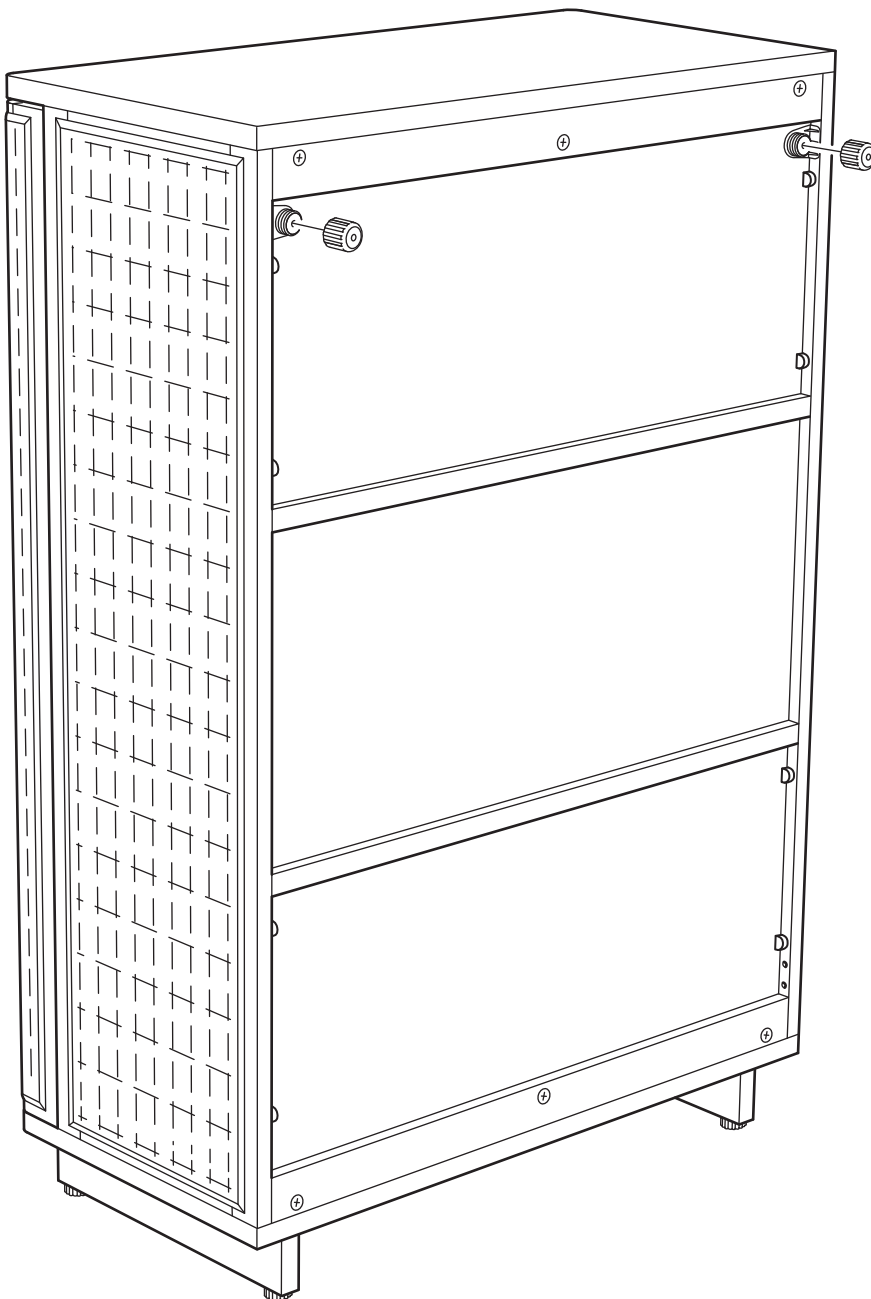
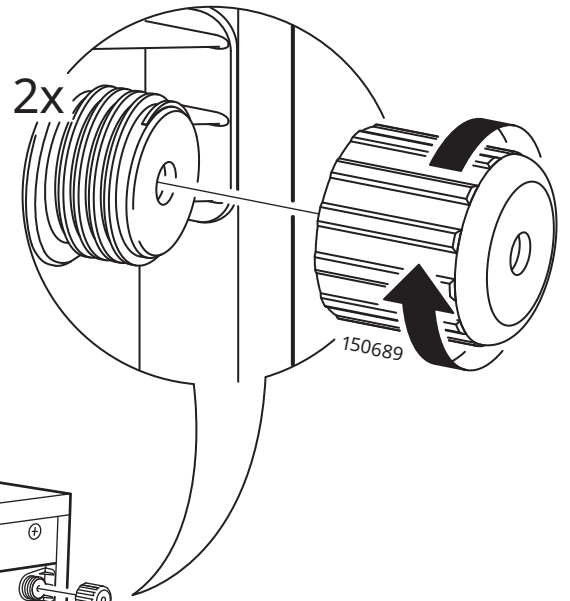
37

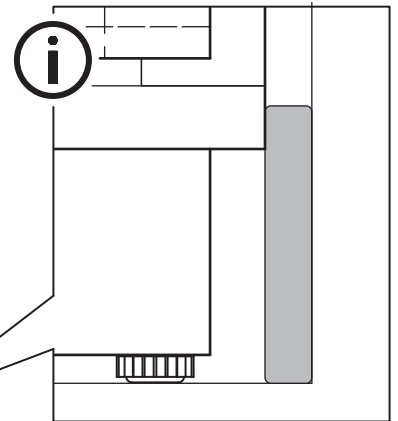
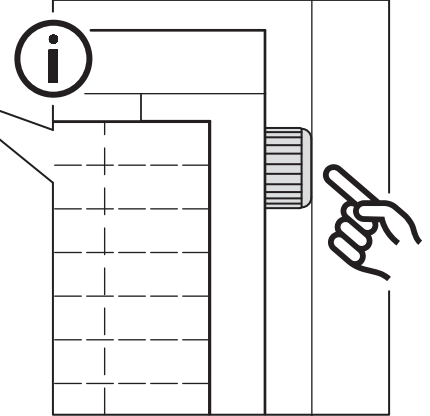
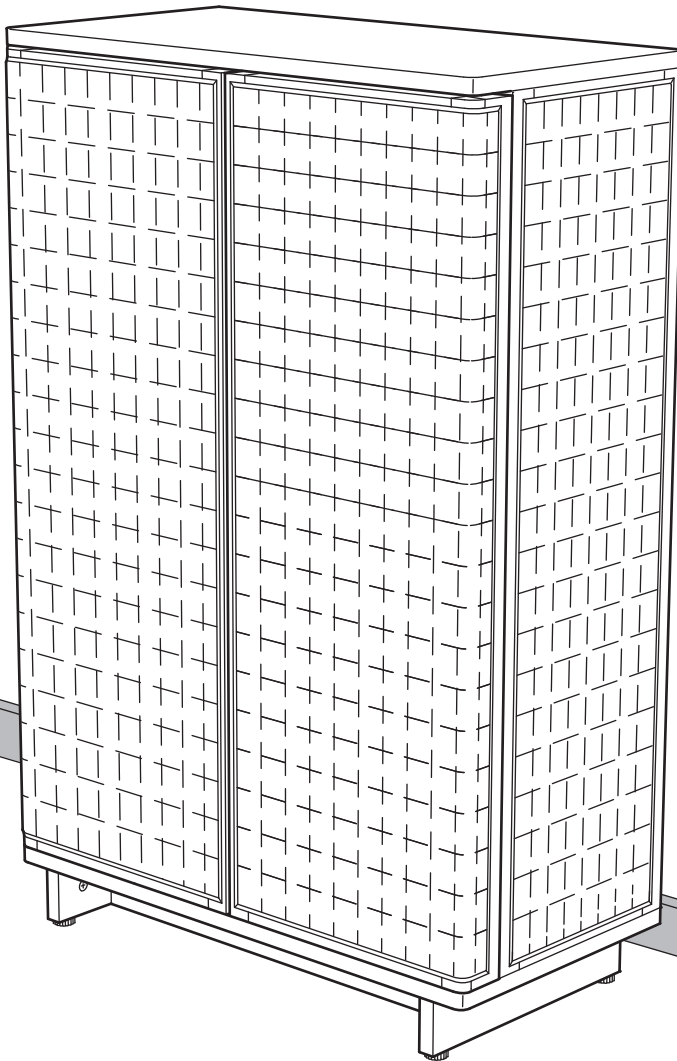
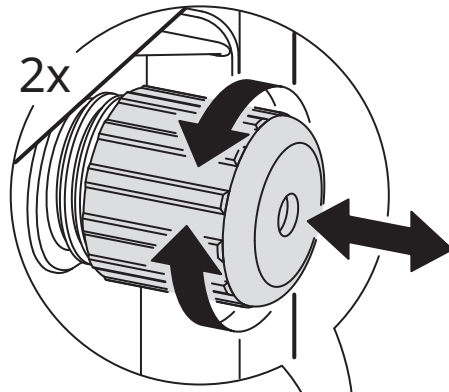


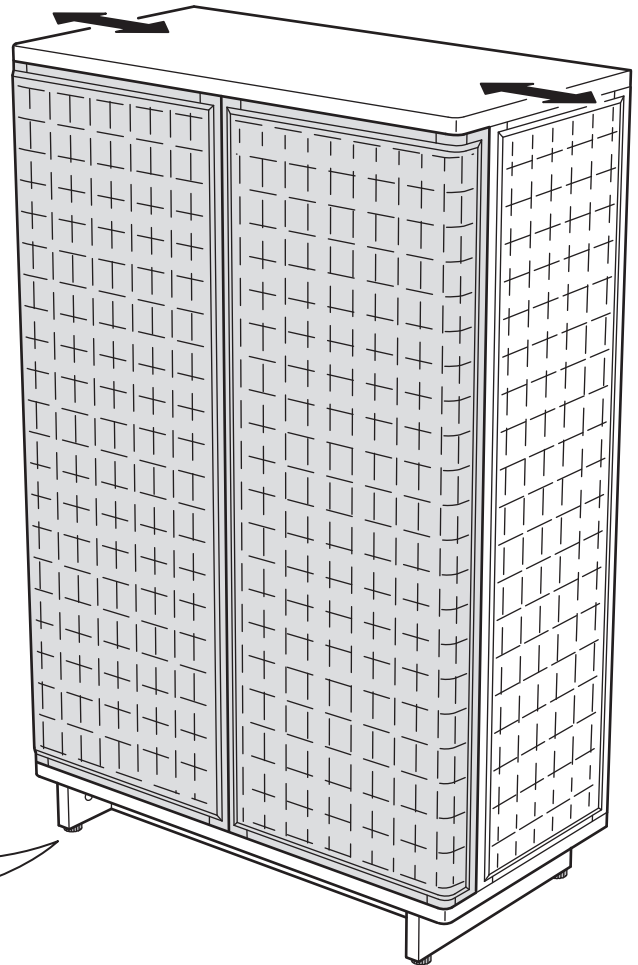
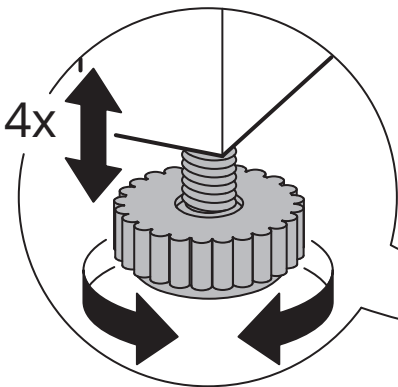
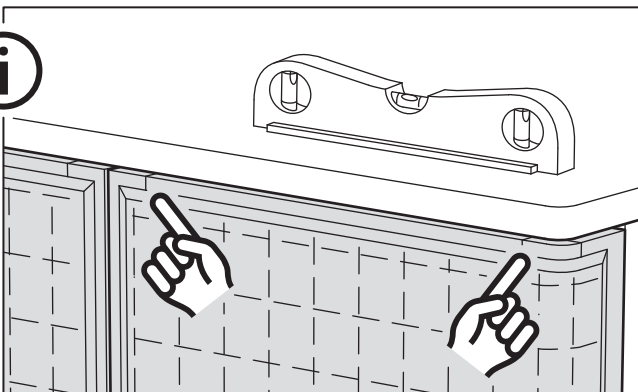
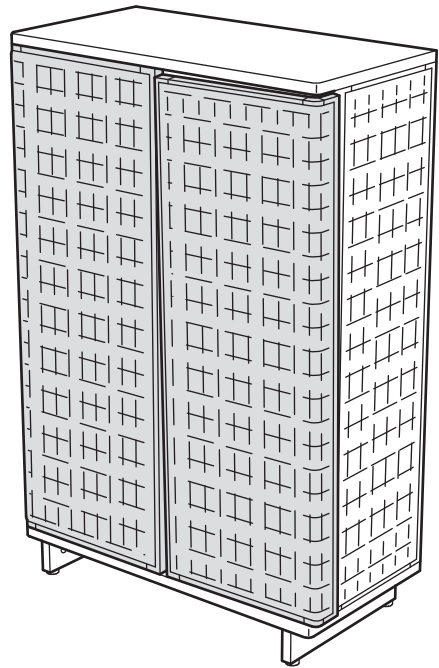
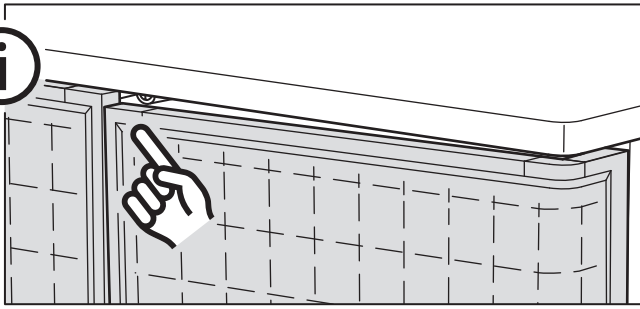




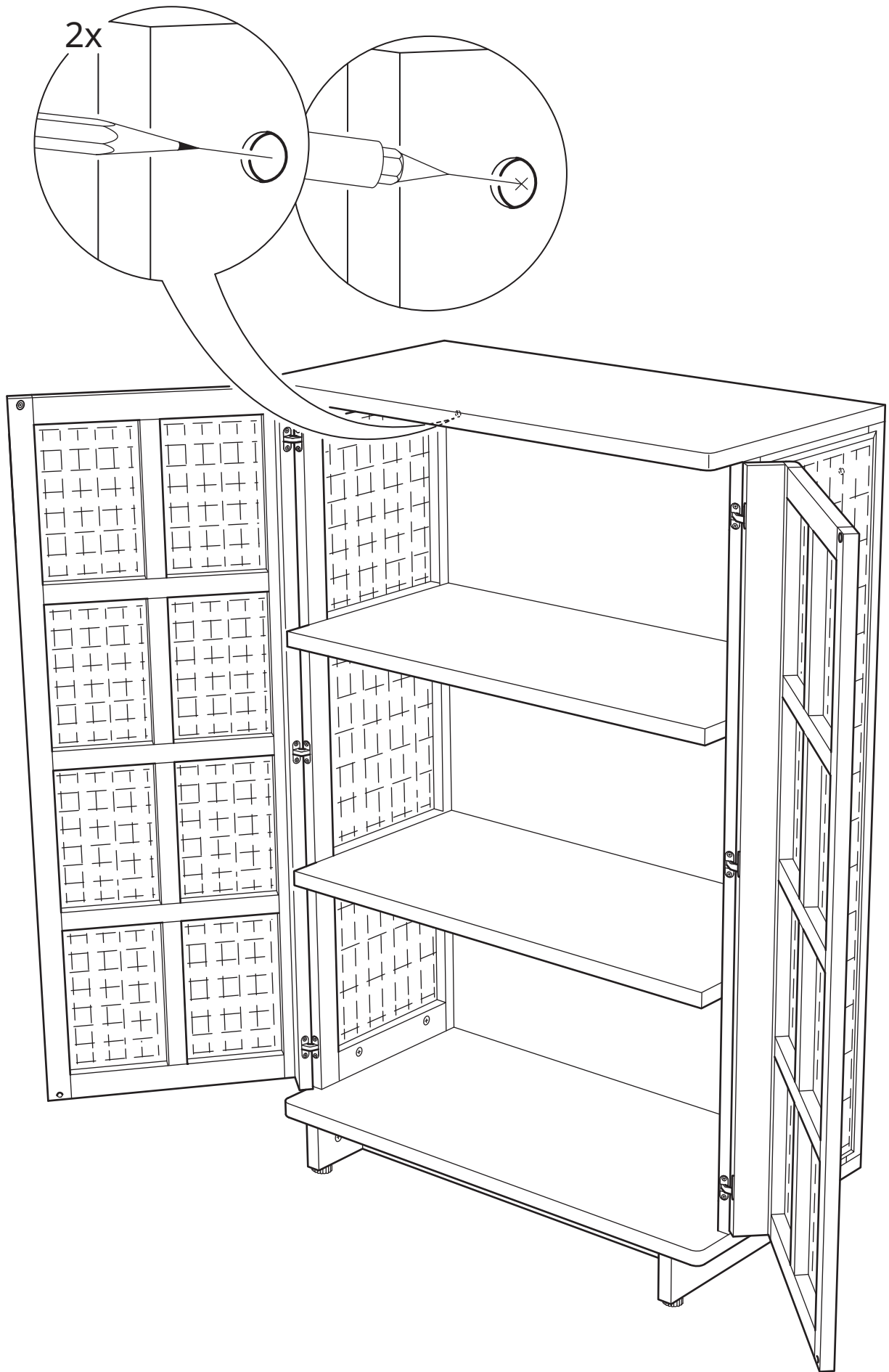
38





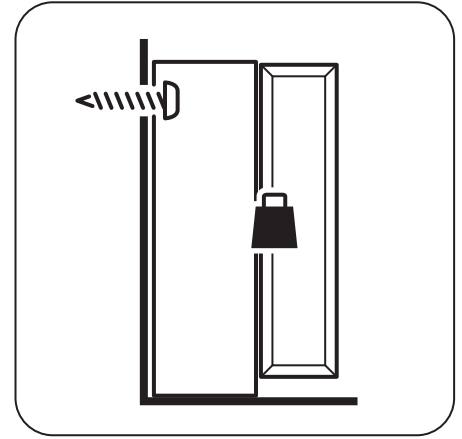


39





www.IKEA.com/secure-it



English

The screw(s) and plug(s) supplied can be used with most solid (A) and hollow (B) walls. For solid wood (C) use the screw(s) without plug(s). If you are uncertain, seek professional advice.

A

Ø 8 mm (5/16")

1

2
70 mm (2 3/4")

3

B

Ø 8 mm (5/16")

1

2
≈ 30 mm (≈ 1 1/4")

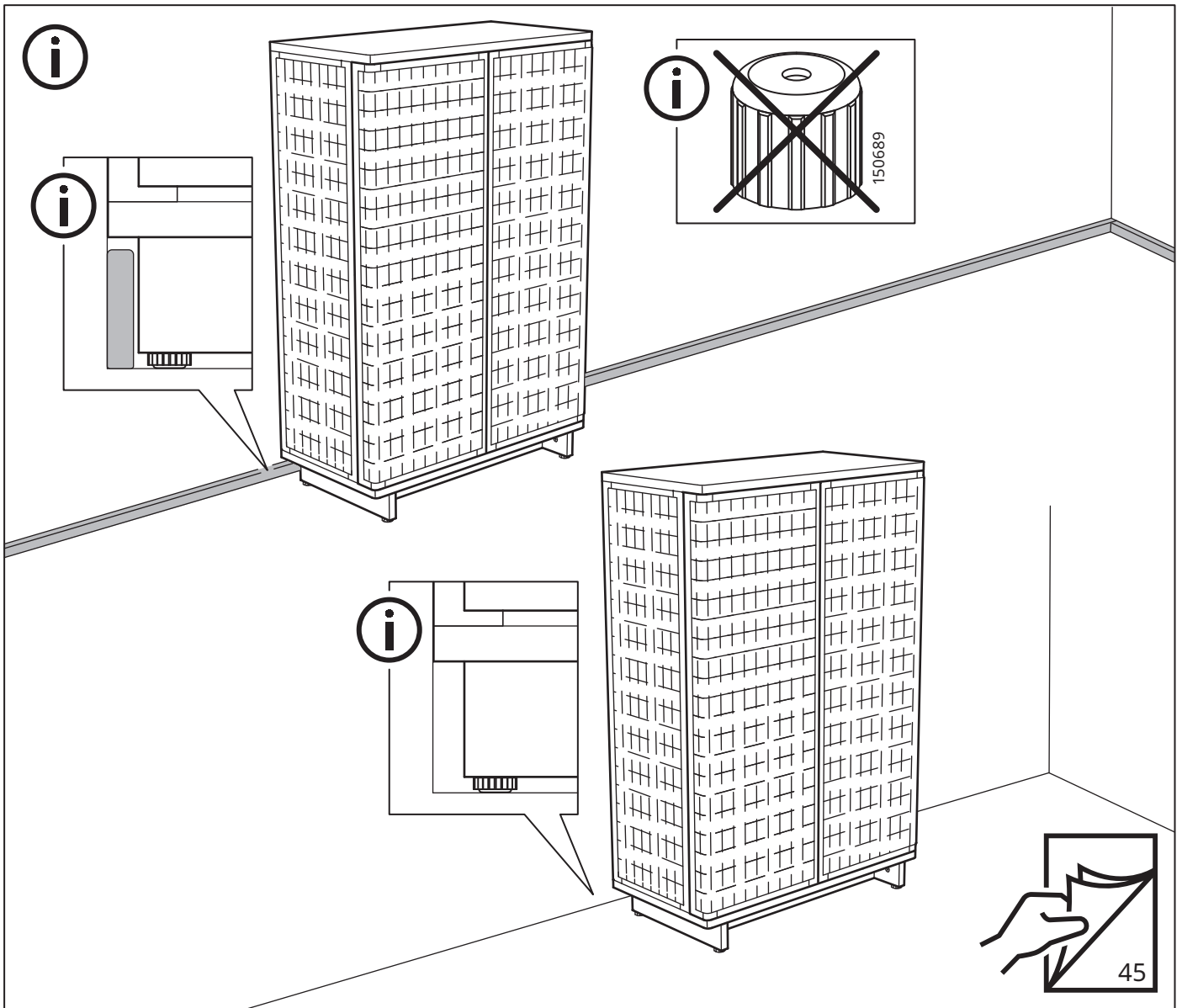
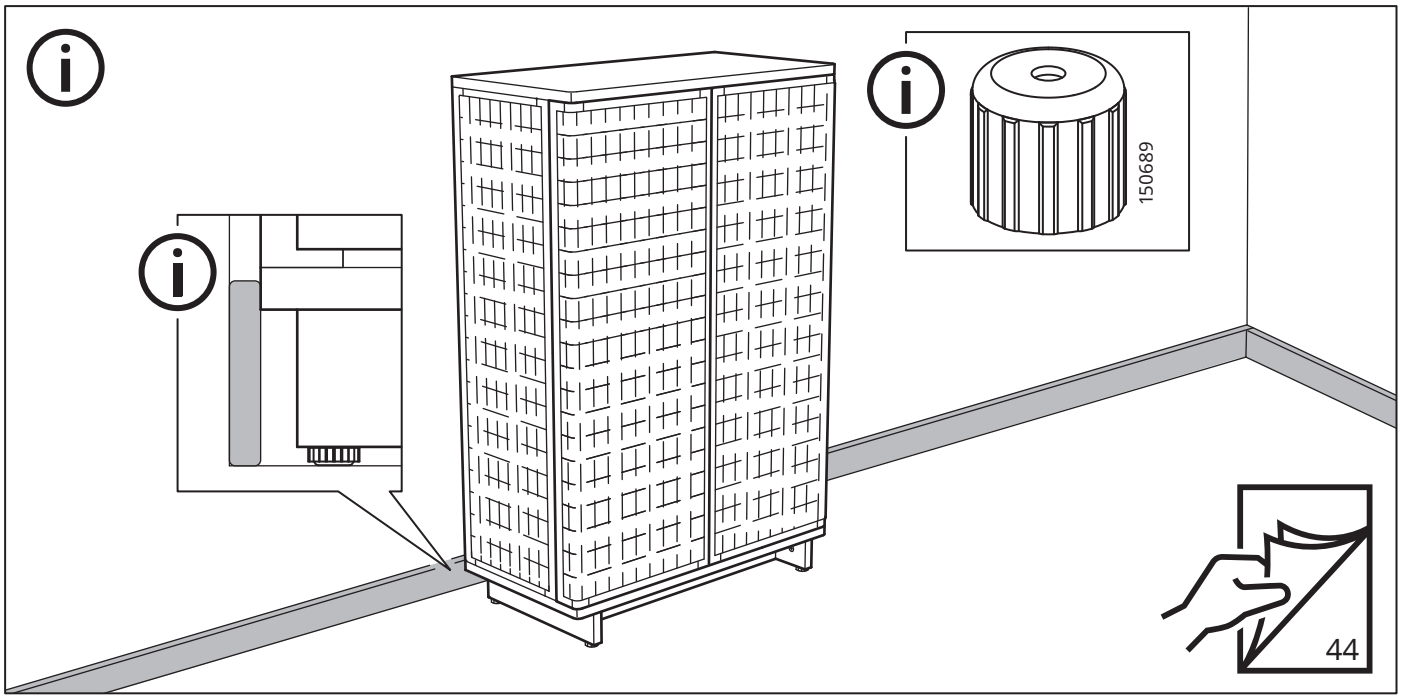
3

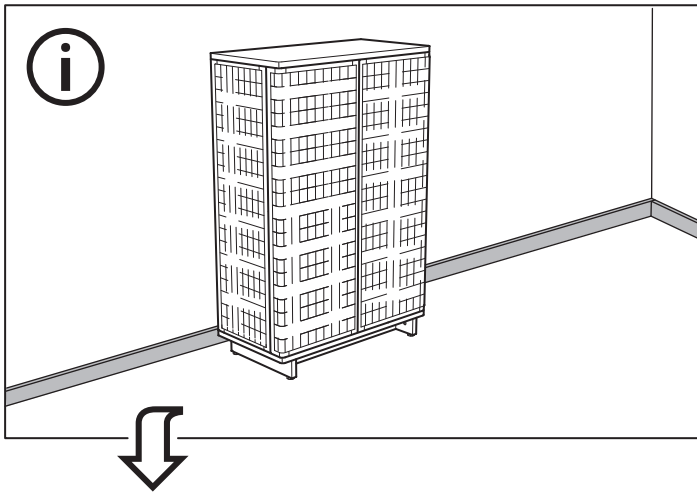
C

Ø 3 mm (1/8")

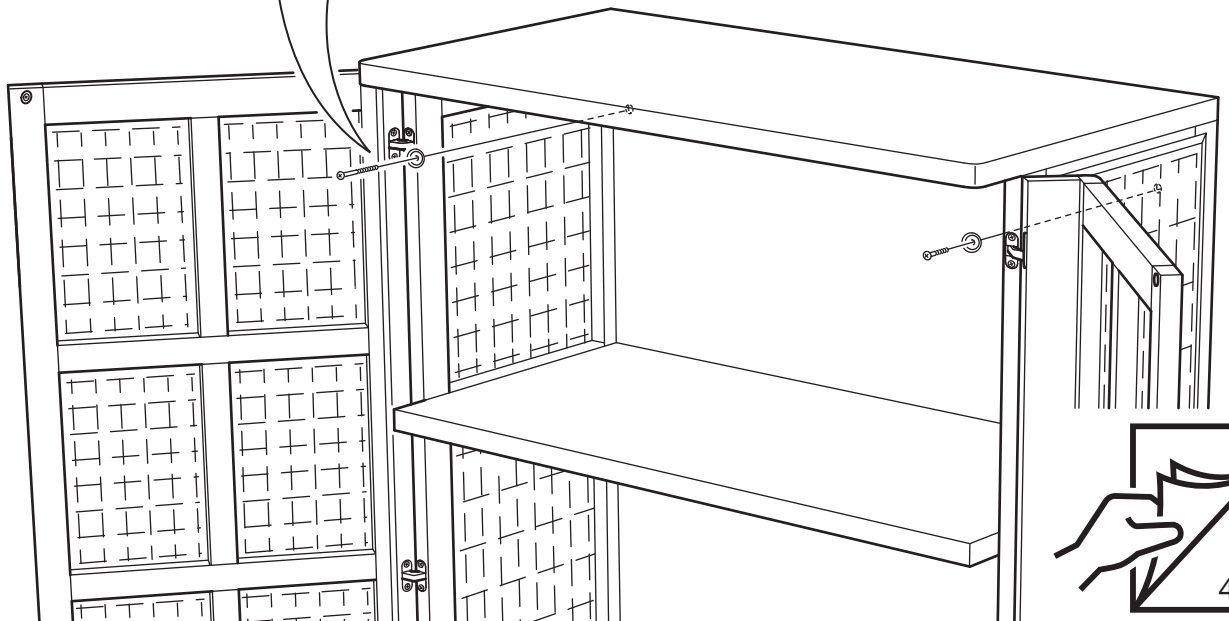
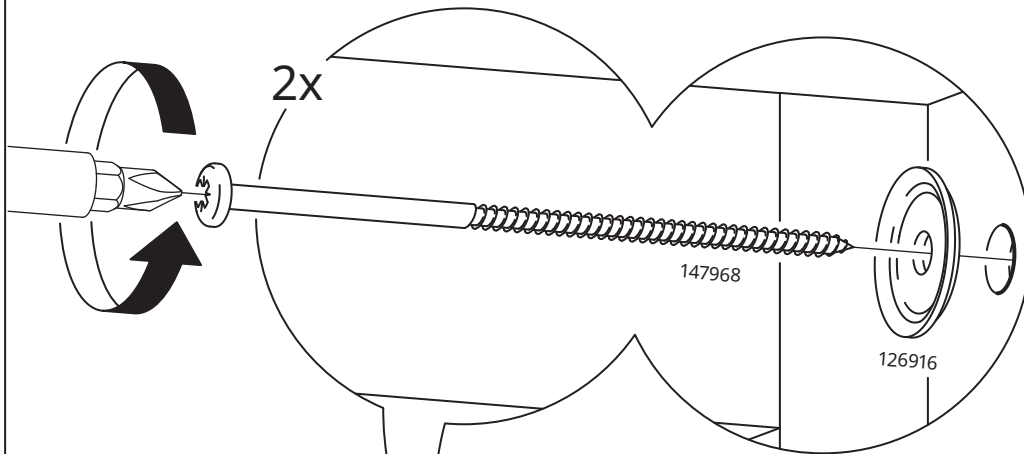
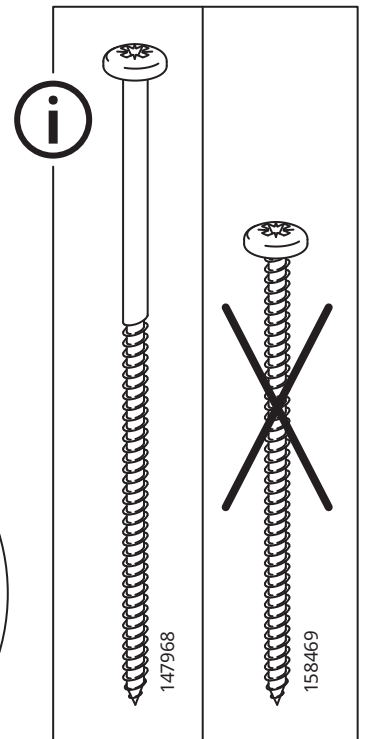
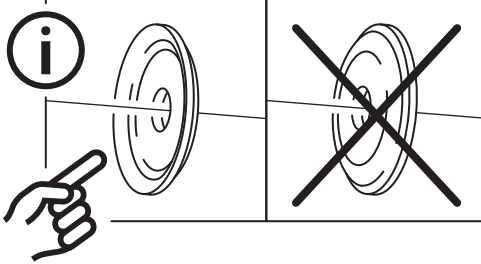
1

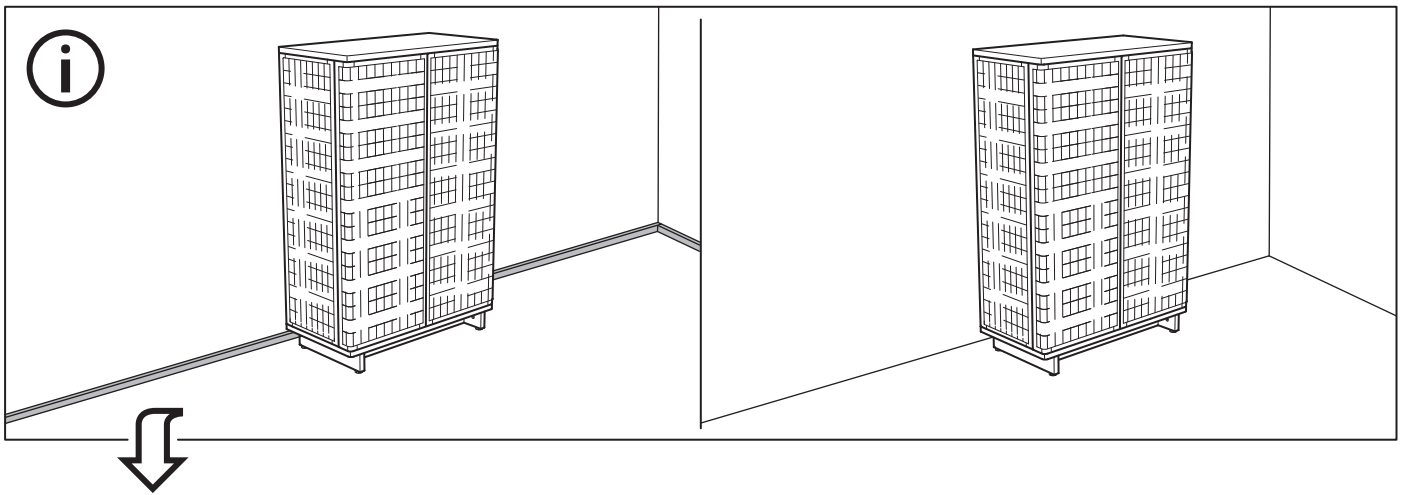
2
≈ 30 mm (≈ 1 1/4")





40





41

