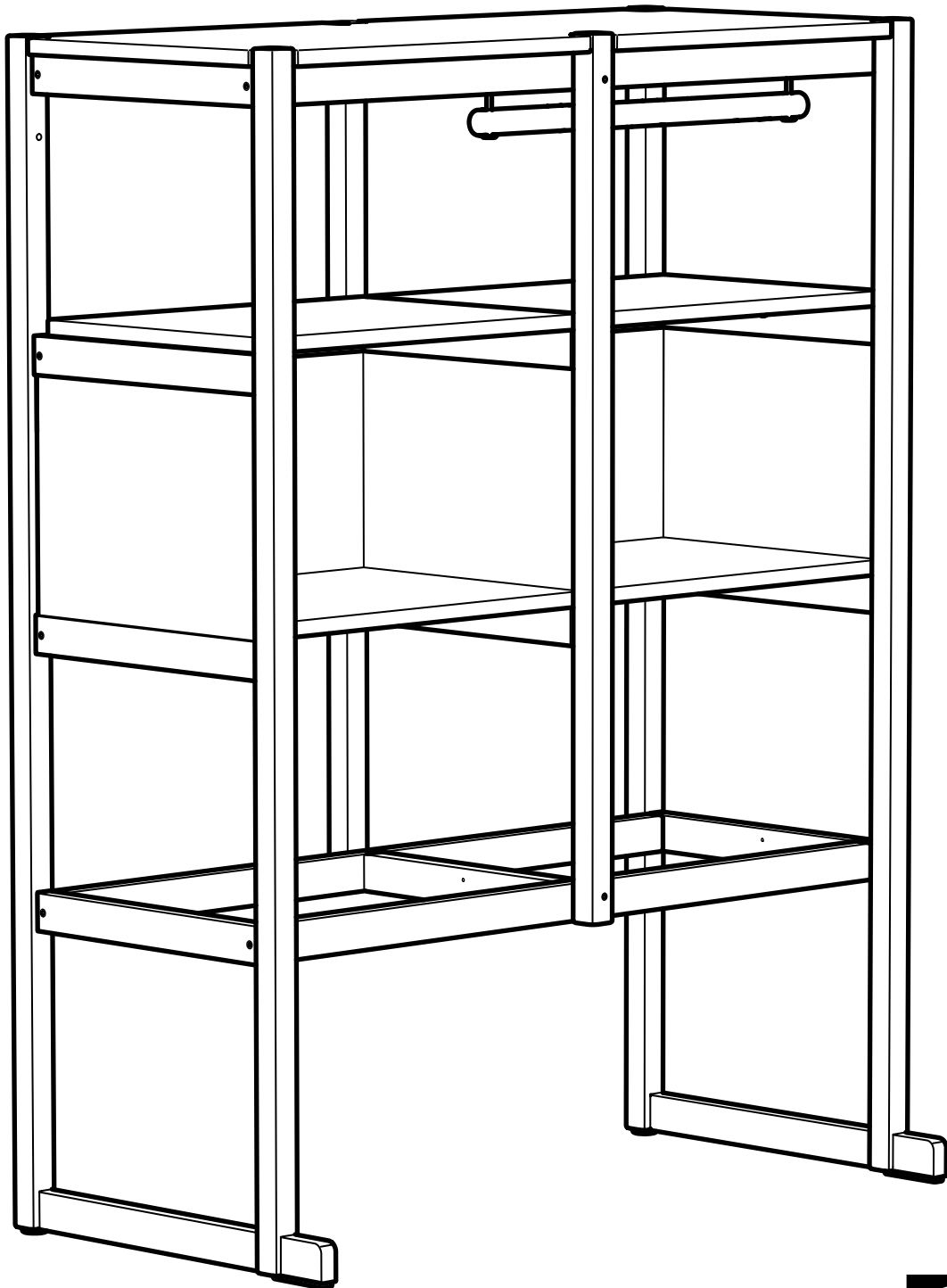


FLISAT



Design and Quality
IKEA of Sweden



English

WARNING

Children have died from furniture tipover. To reduce the risk of furniture tipover:

ALWAYS install anti-tip device provided.

NEVER put a TV on this product.

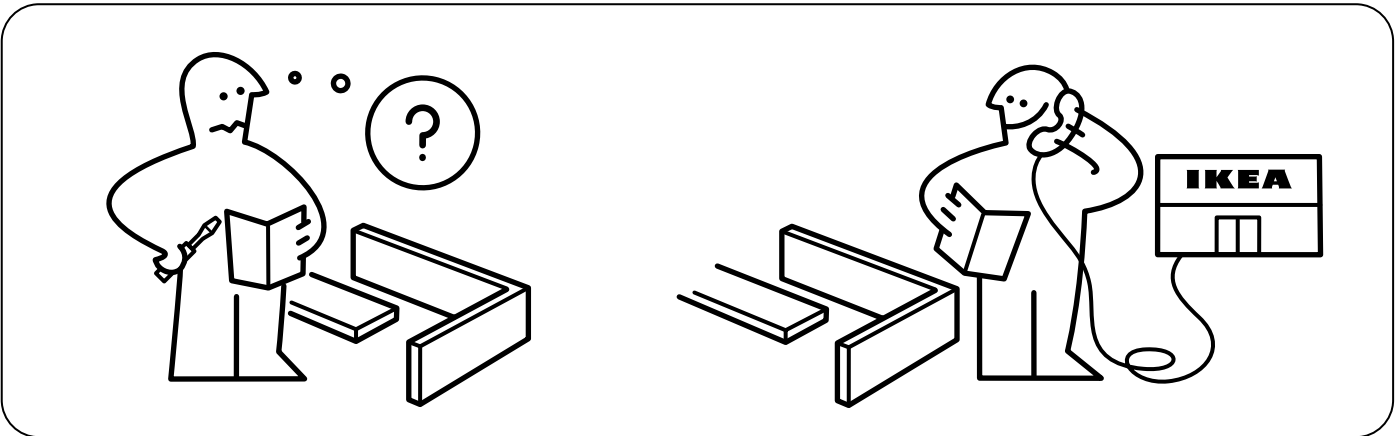
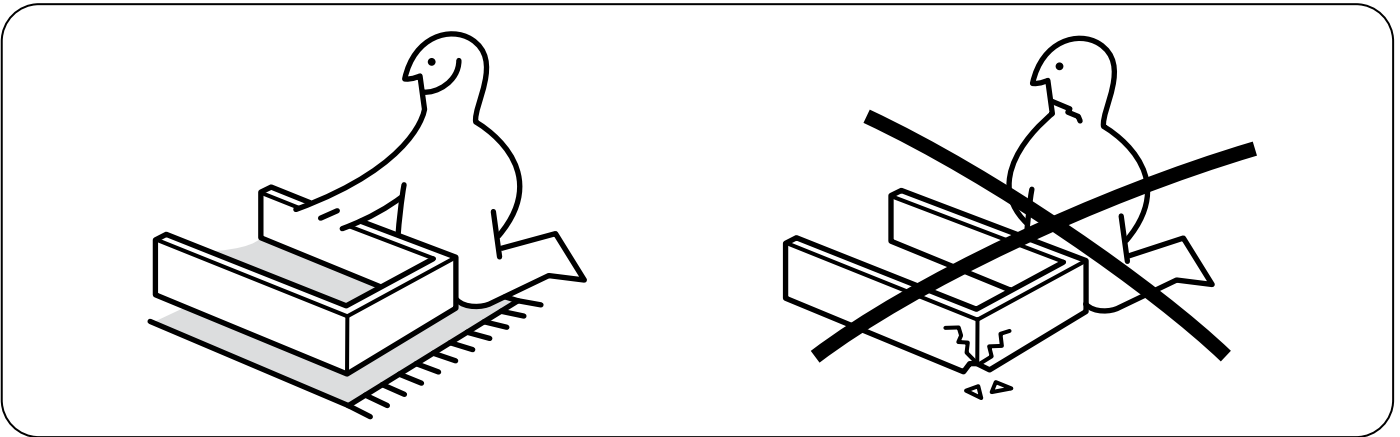
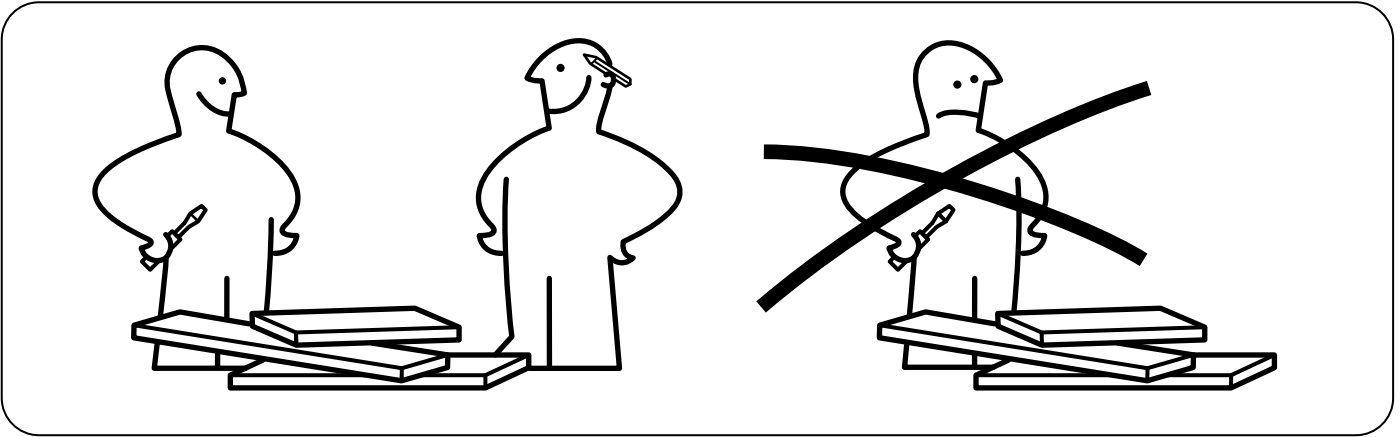
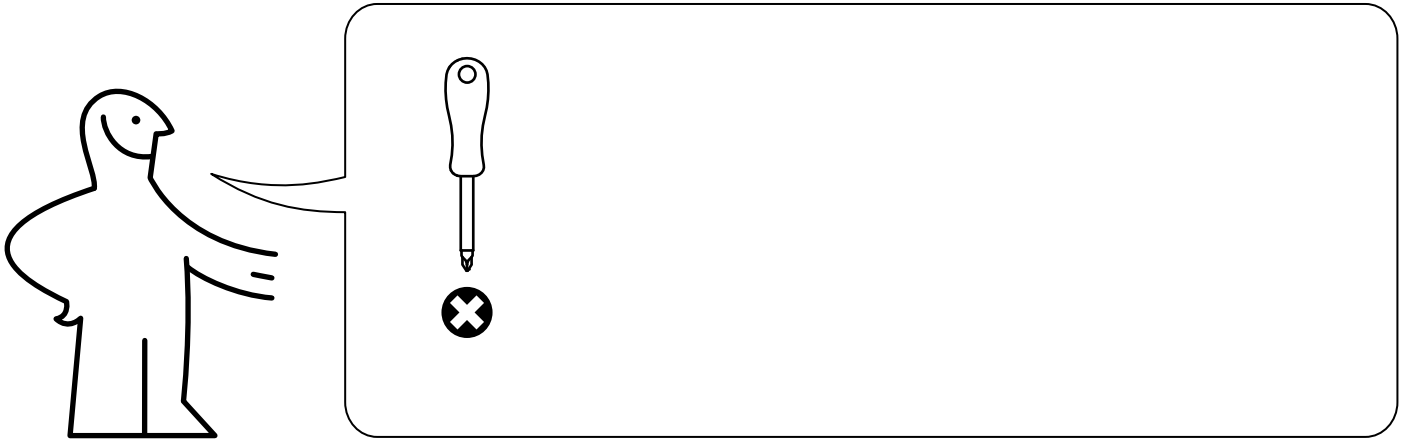
NEVER allow children to stand, climb, or hang on any drawers, doors, or shelves.

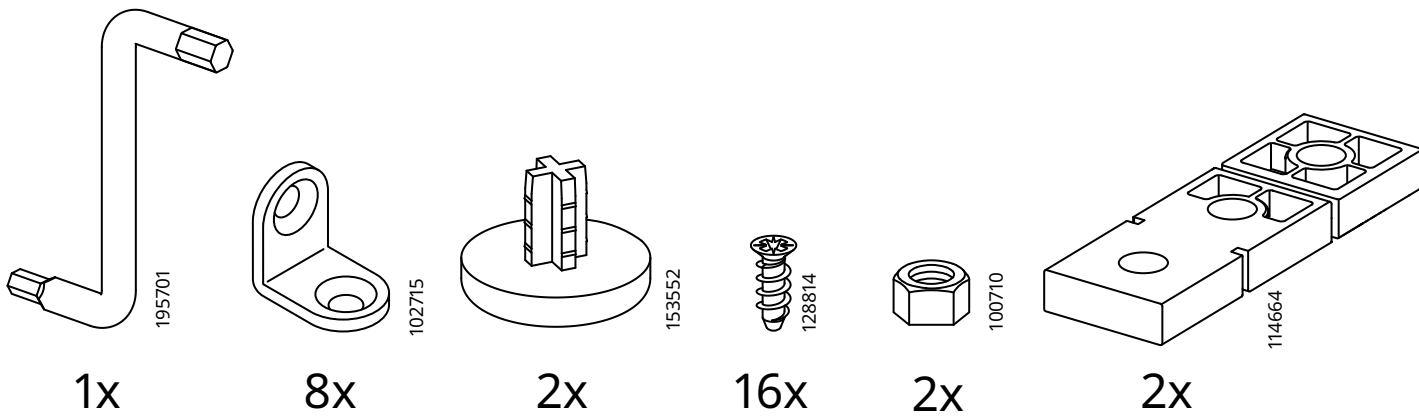
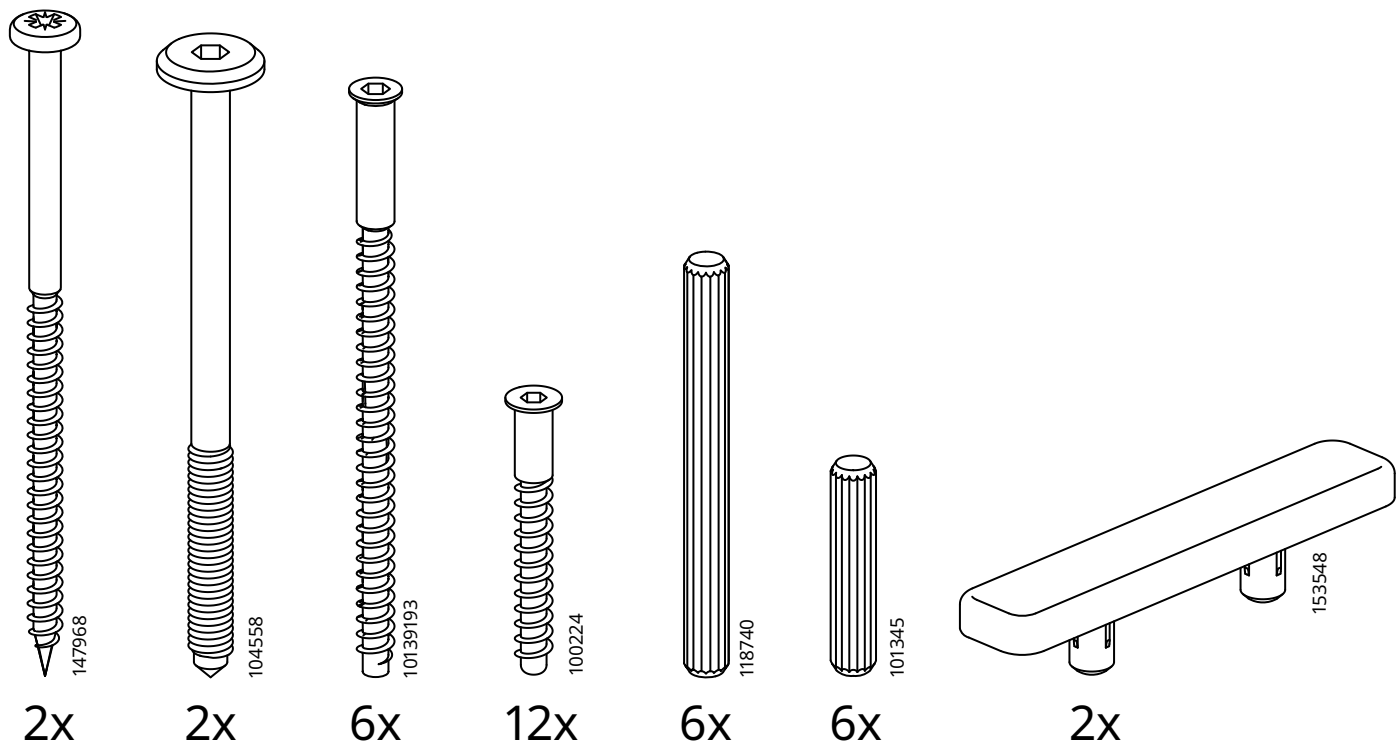
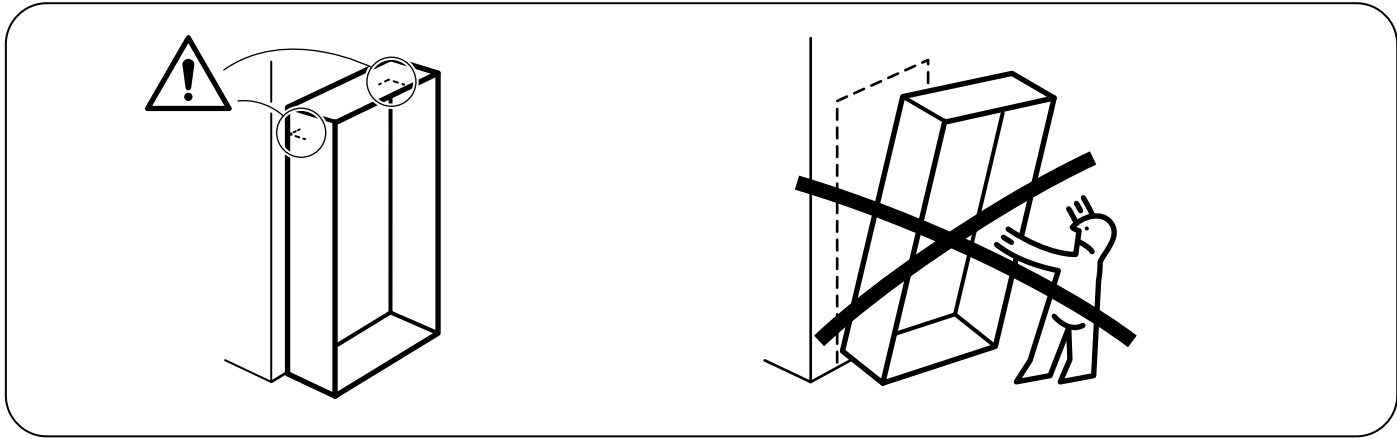
NEVER open more than one drawer at a time.

Place heaviest items in the lowest drawers.

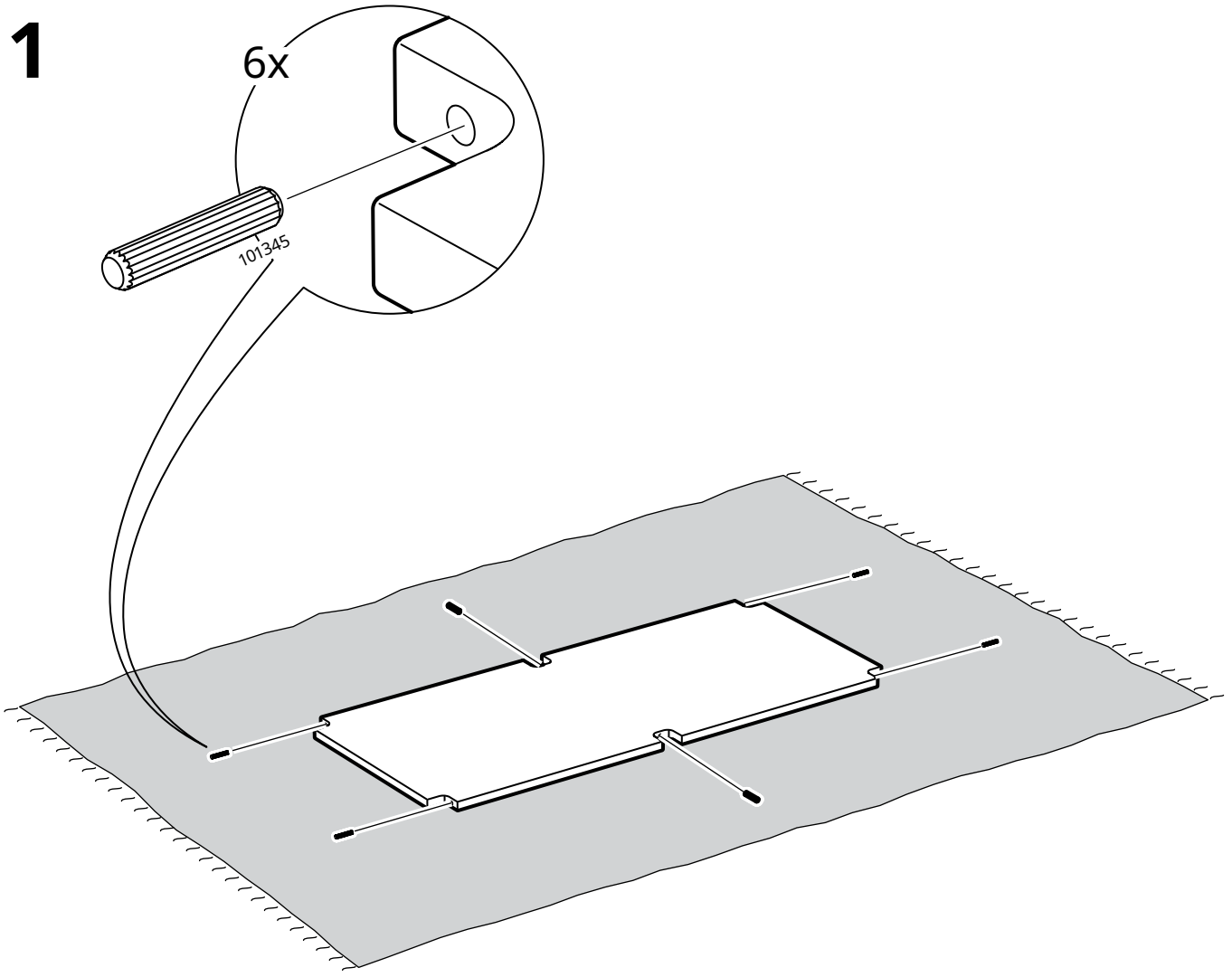
English

Read and follow each step of the instruction carefully.

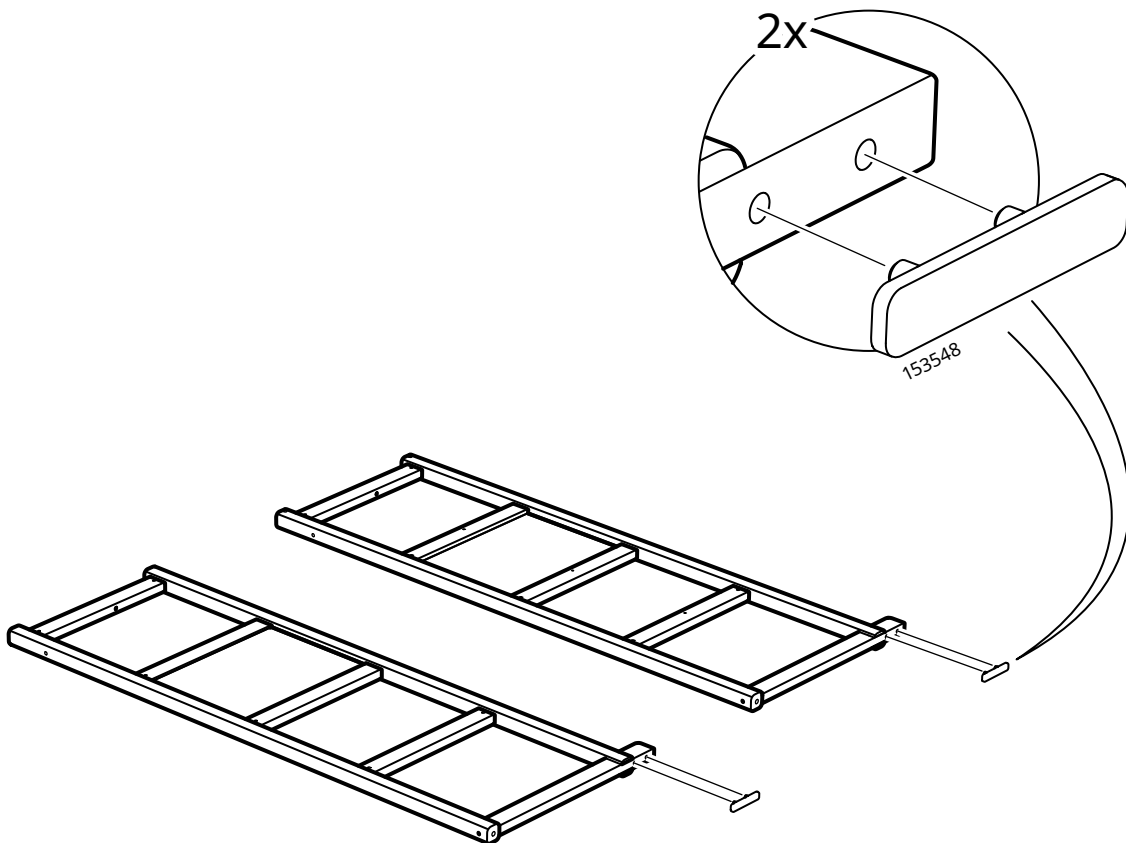




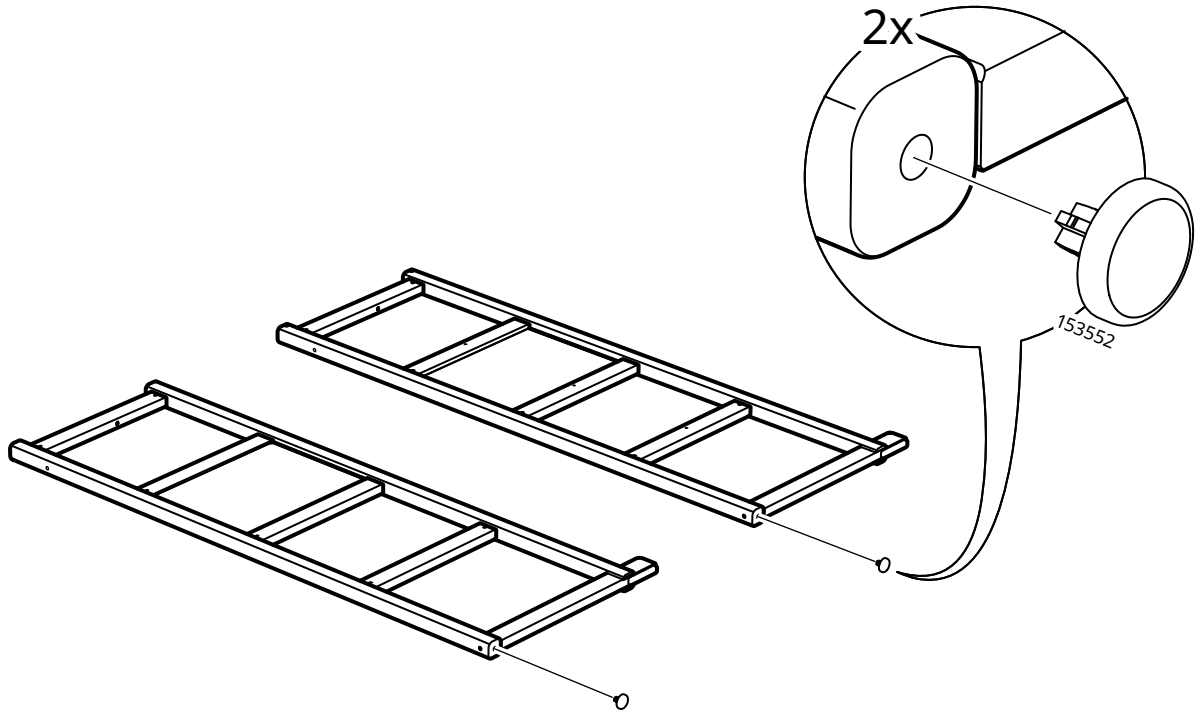
1



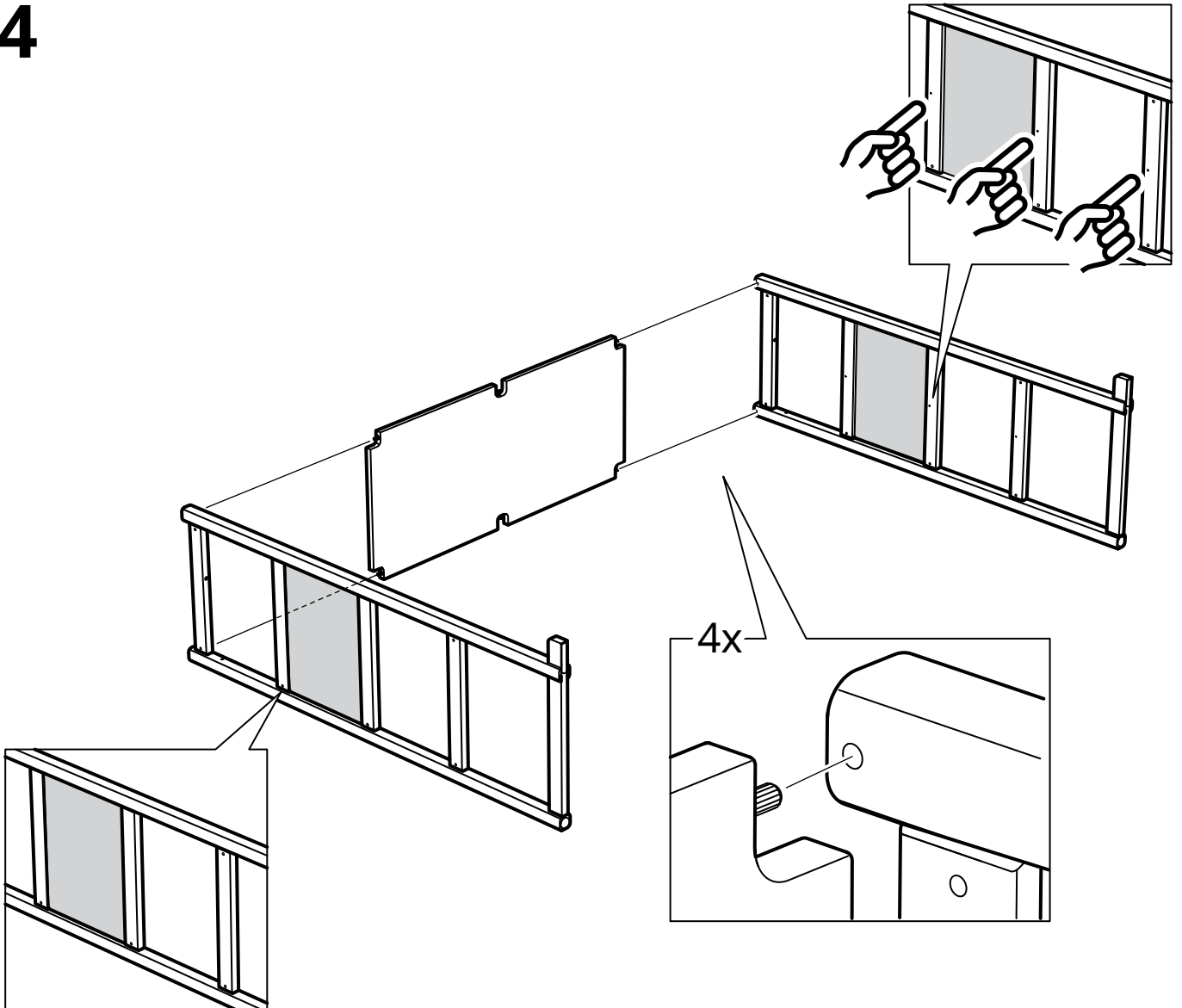
2



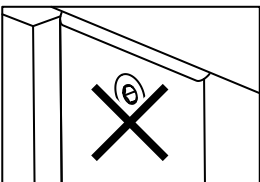
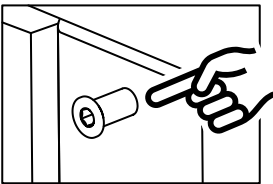
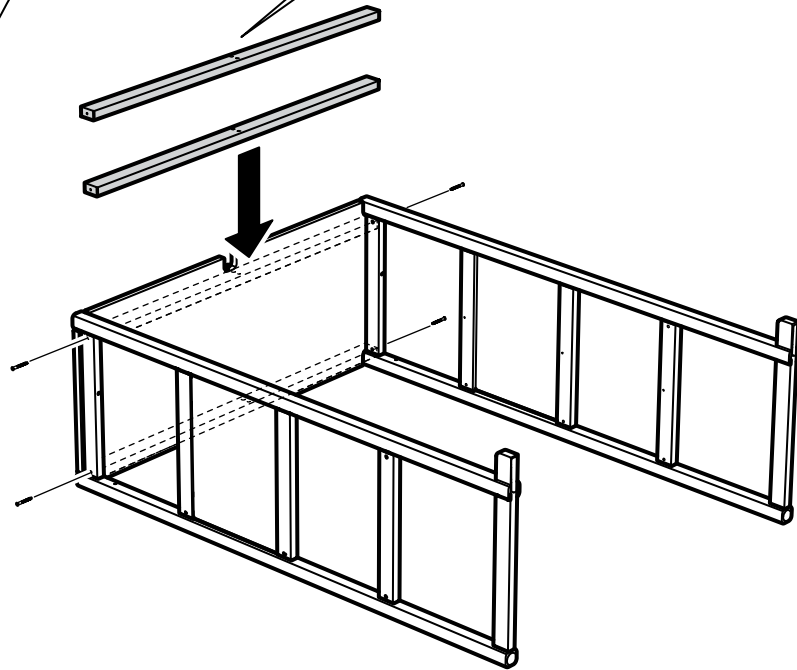
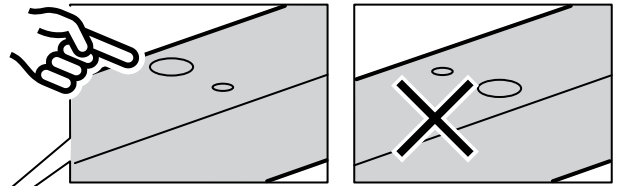
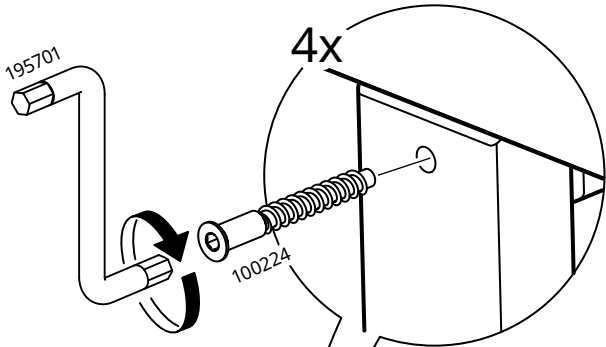
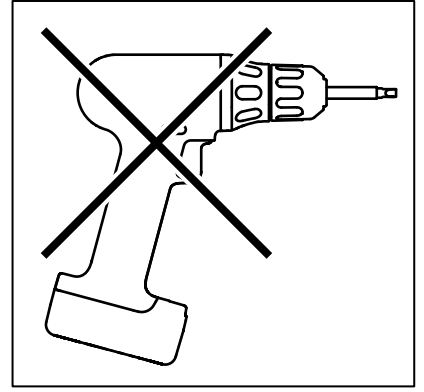
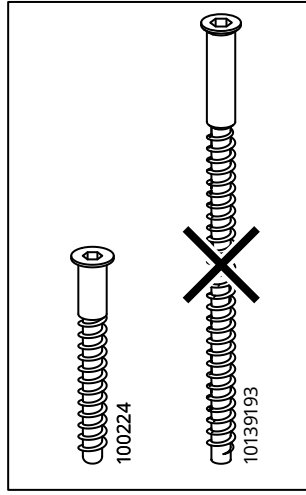
3



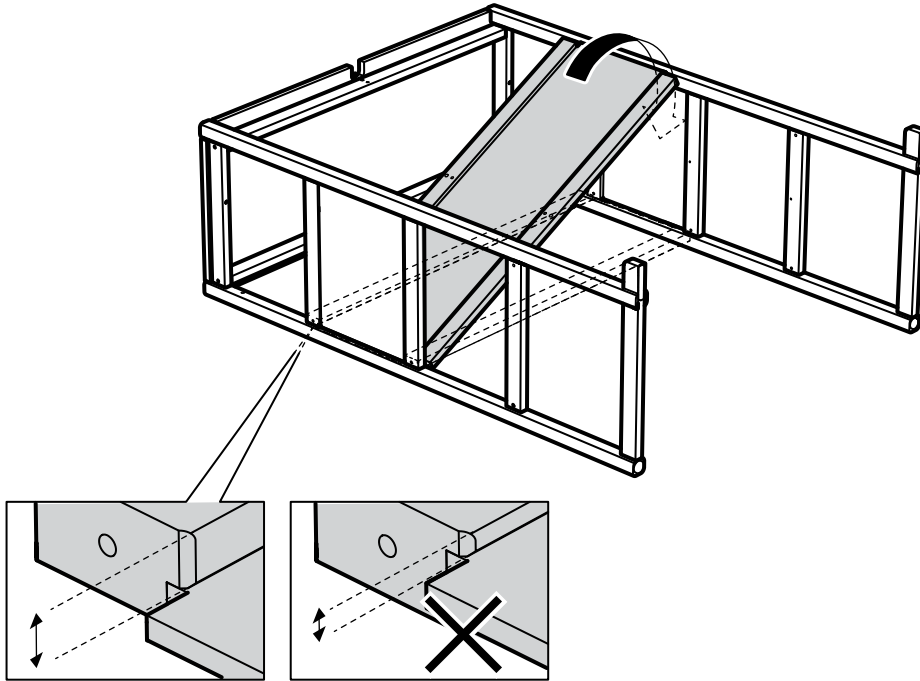
4



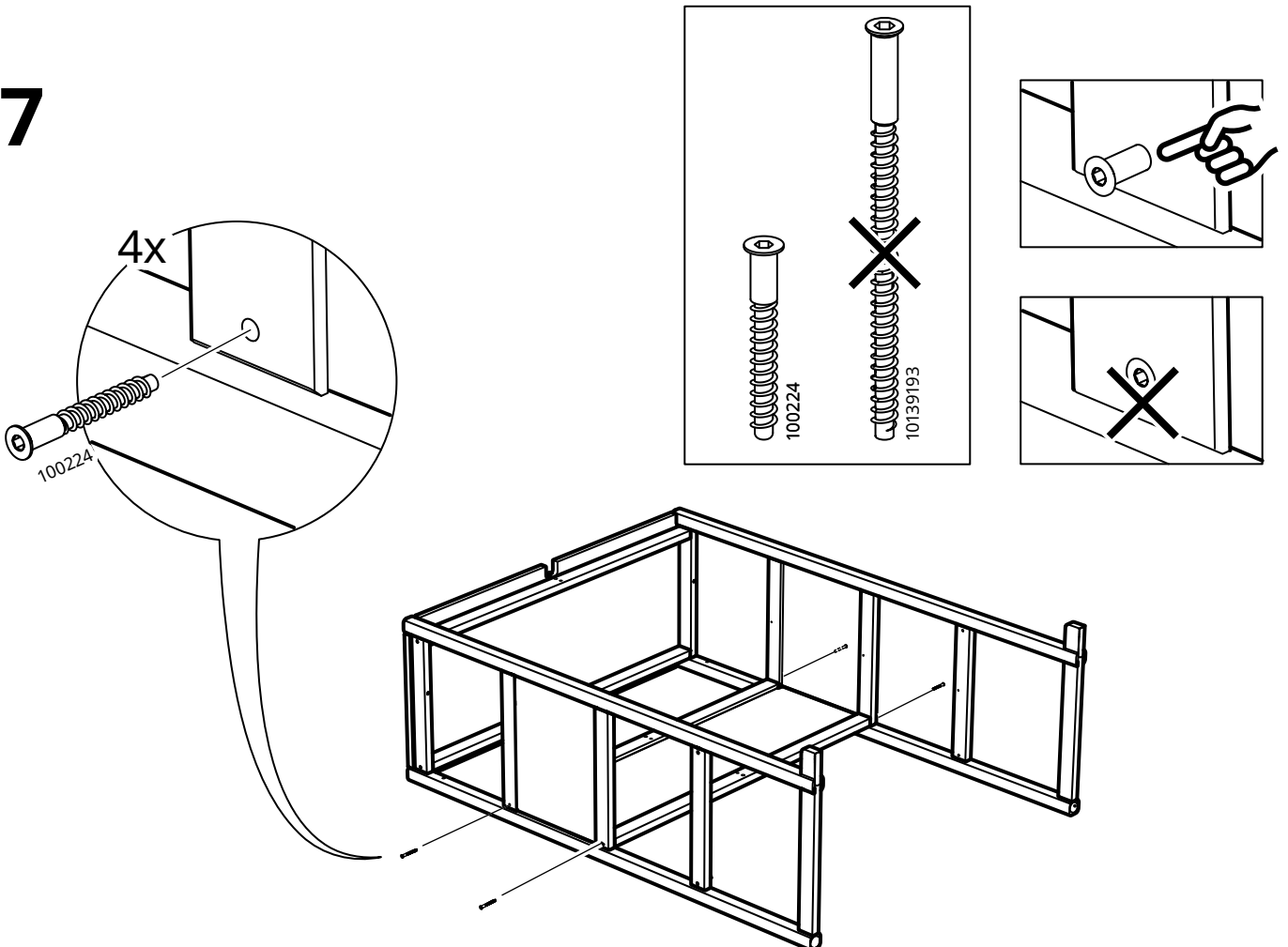
5

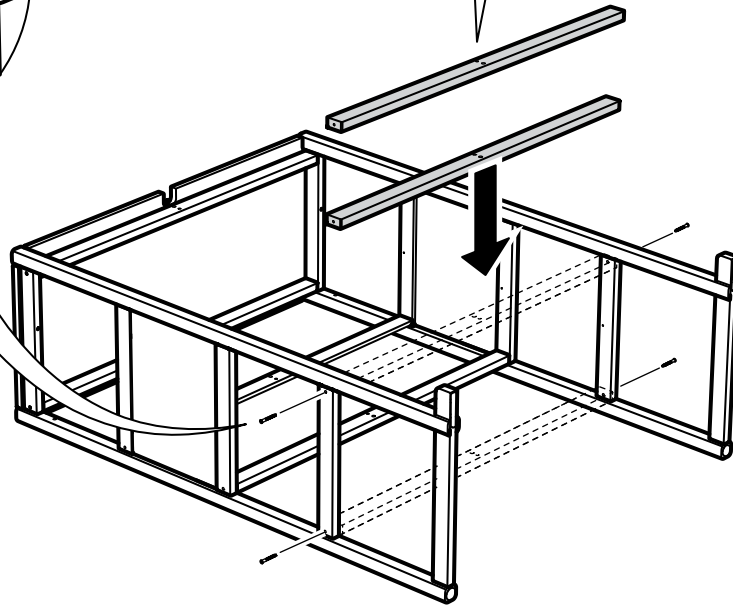
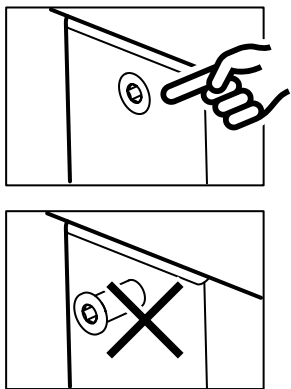
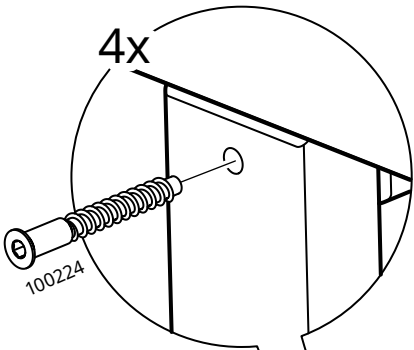
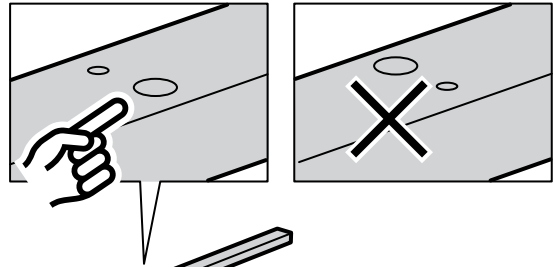
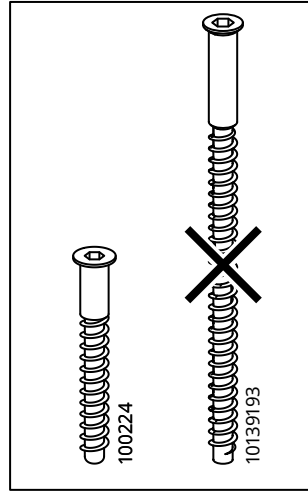


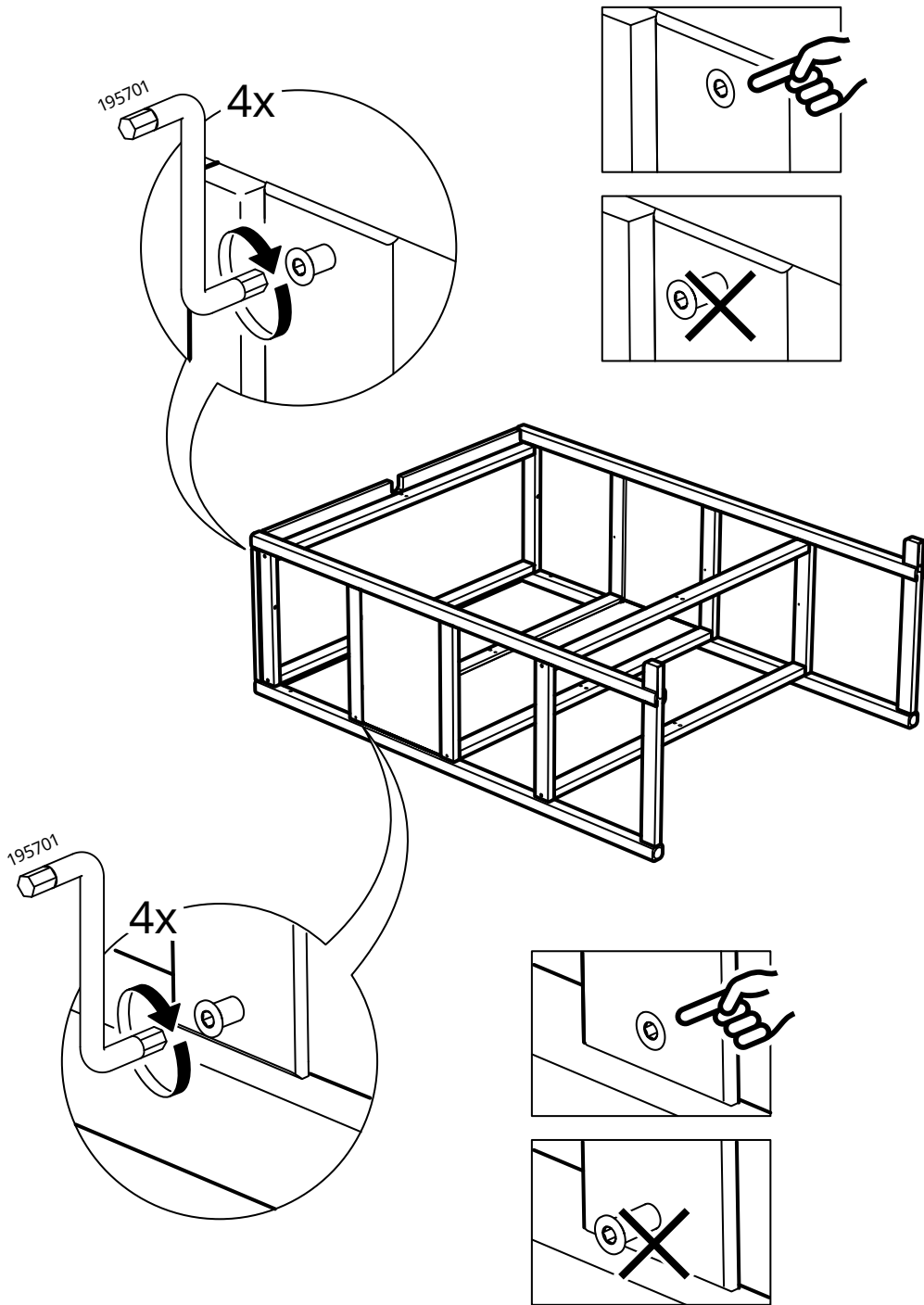
6



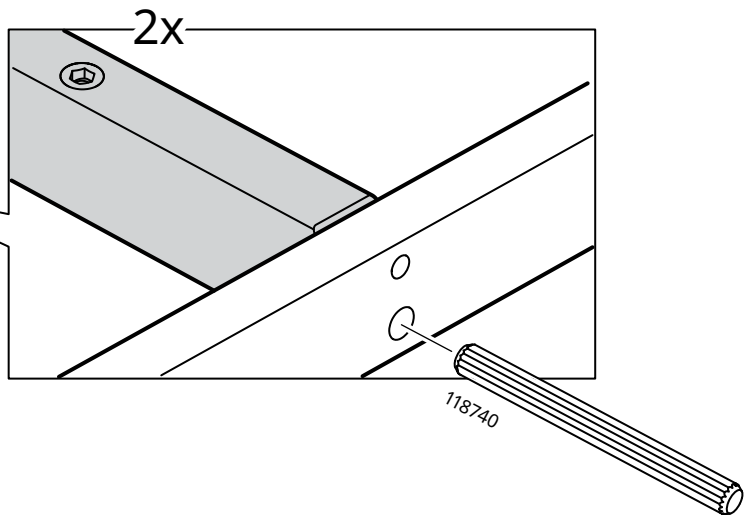
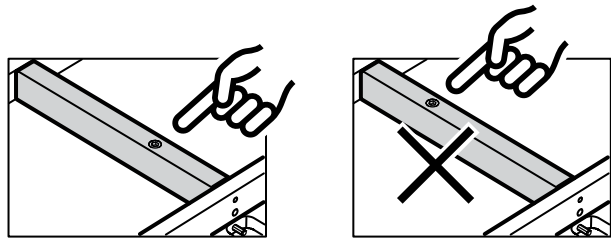
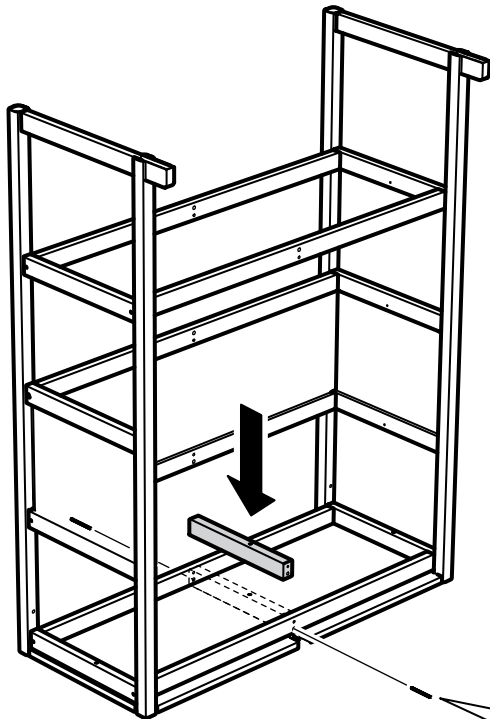
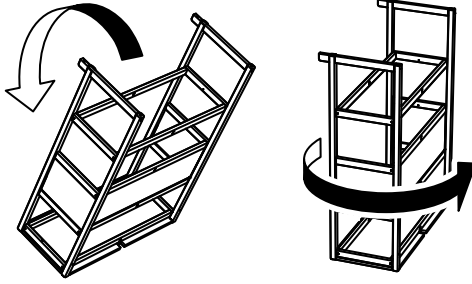
7

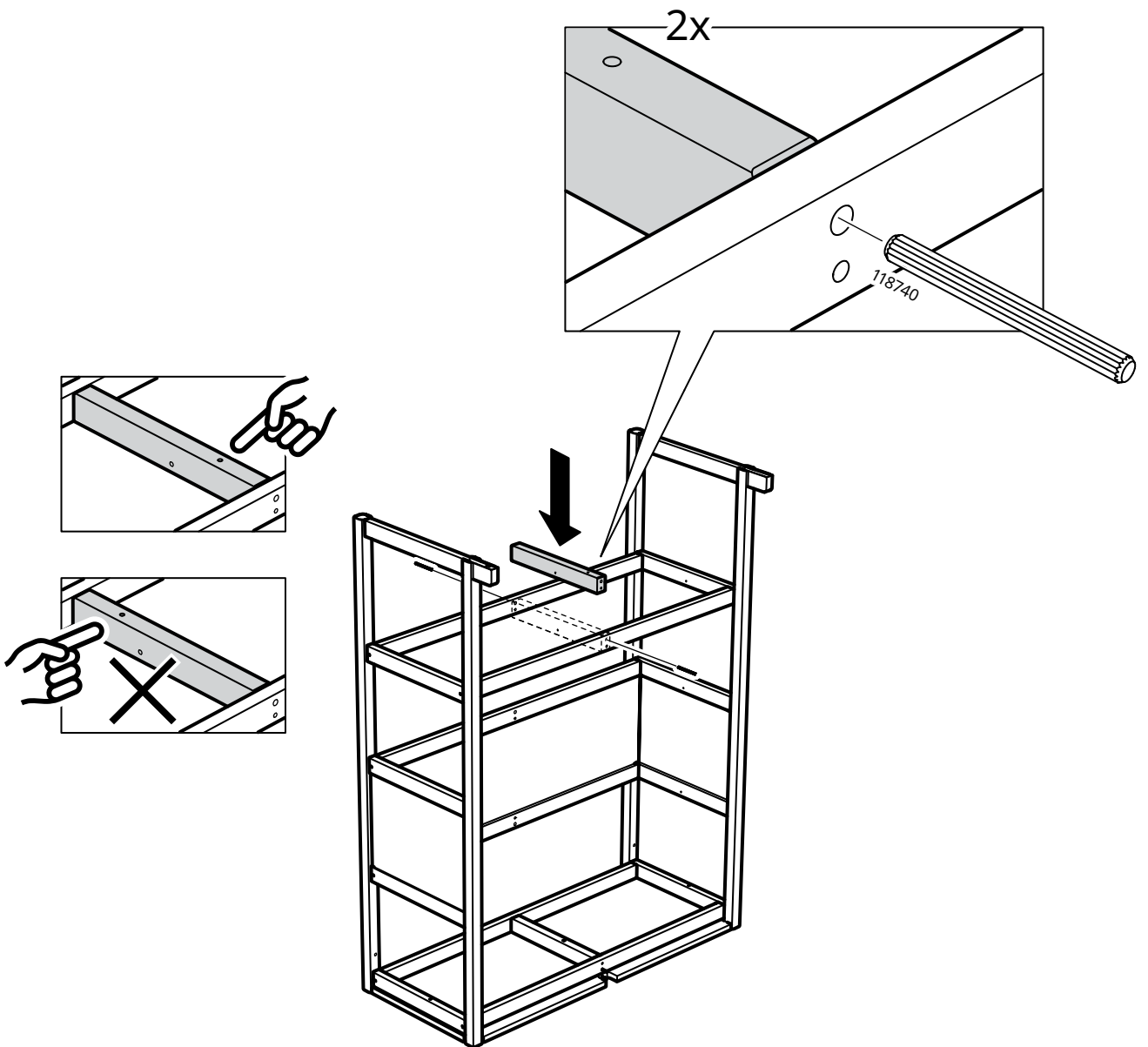




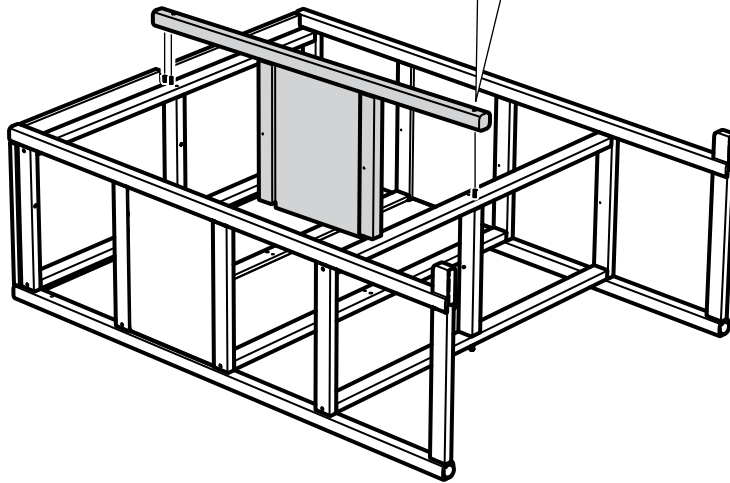
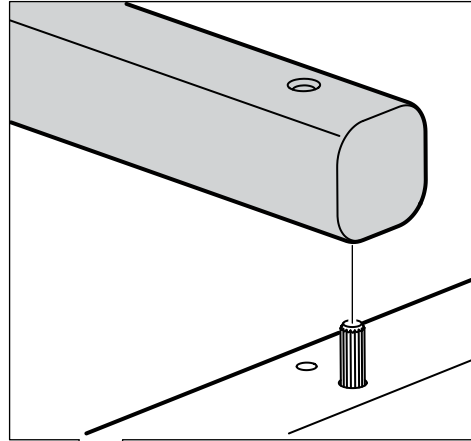
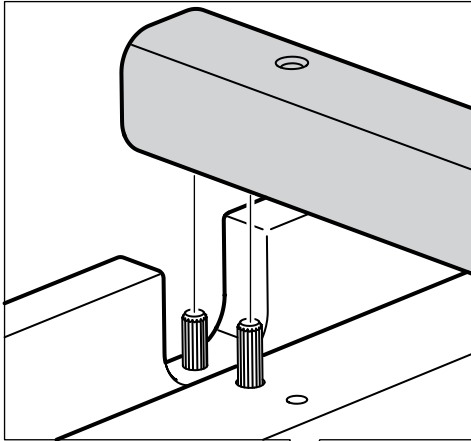
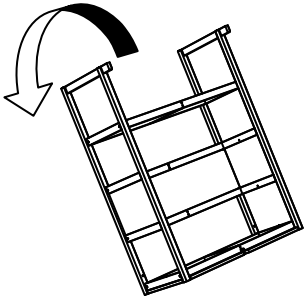


10

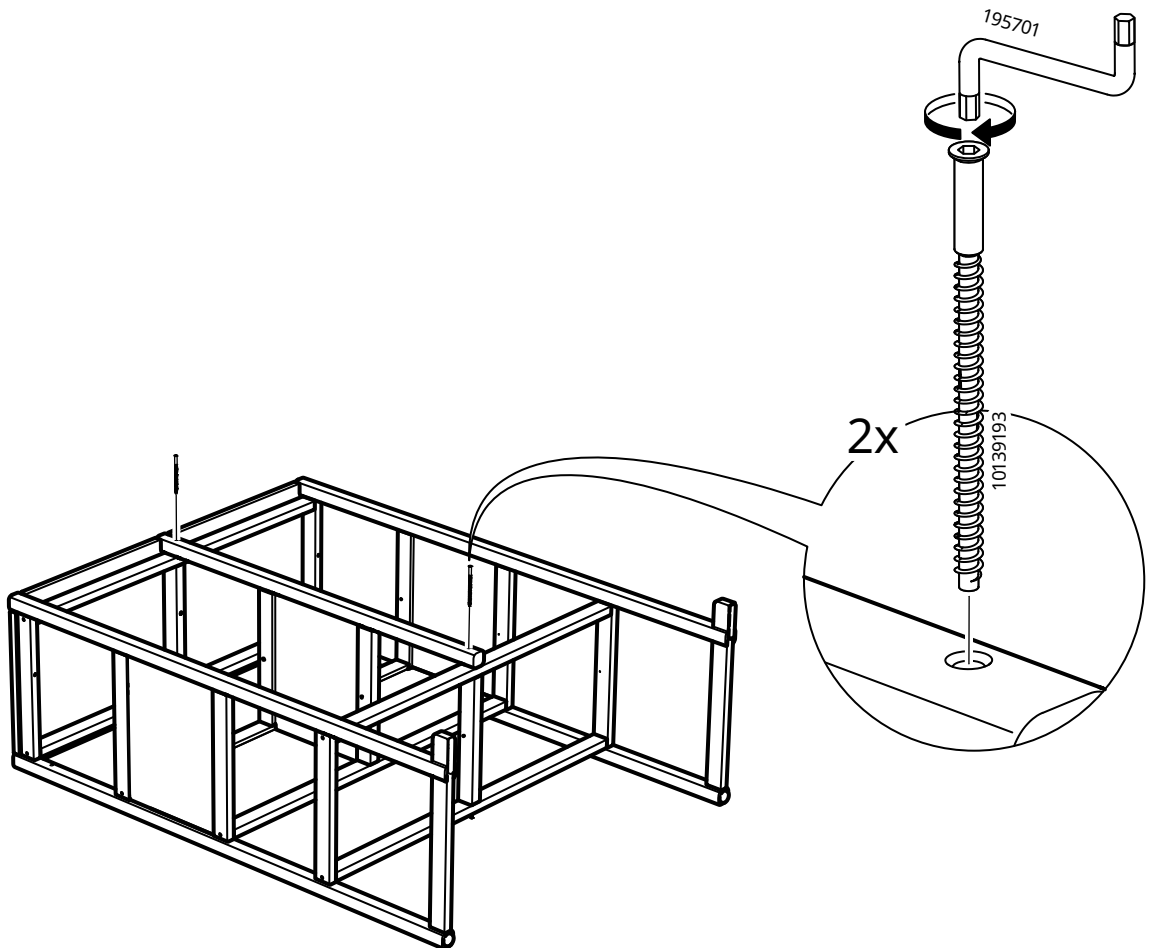
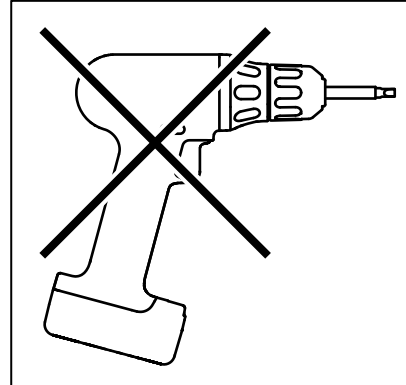
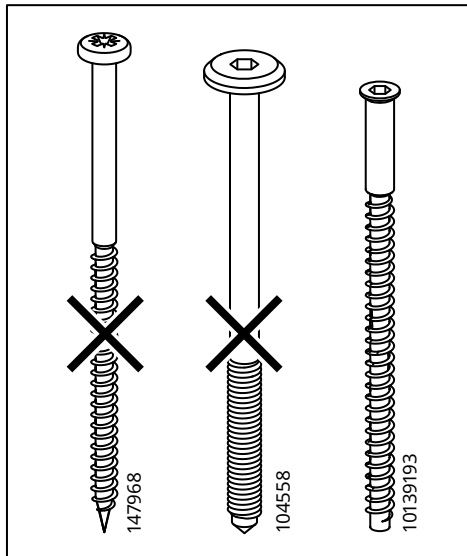




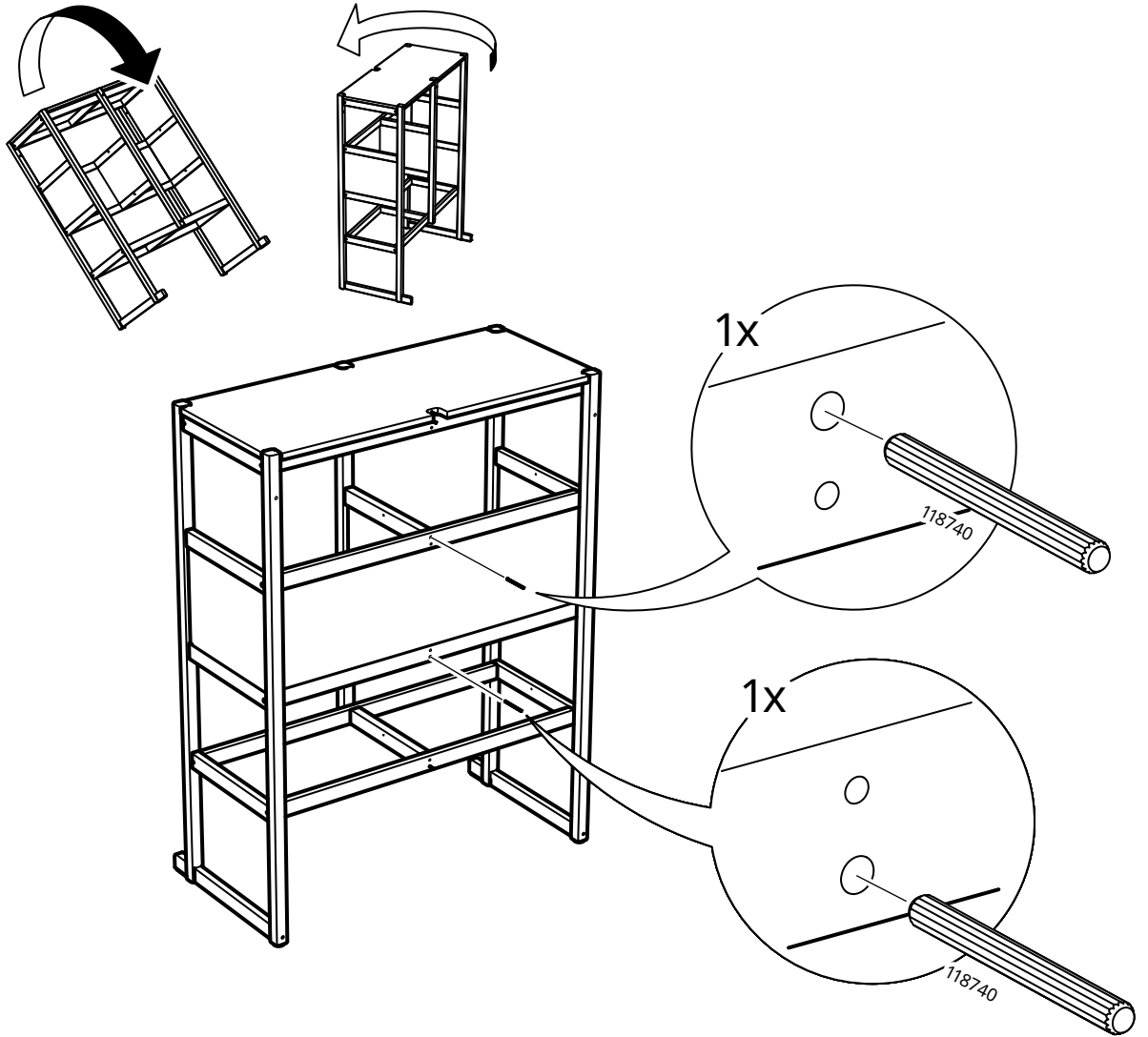
12



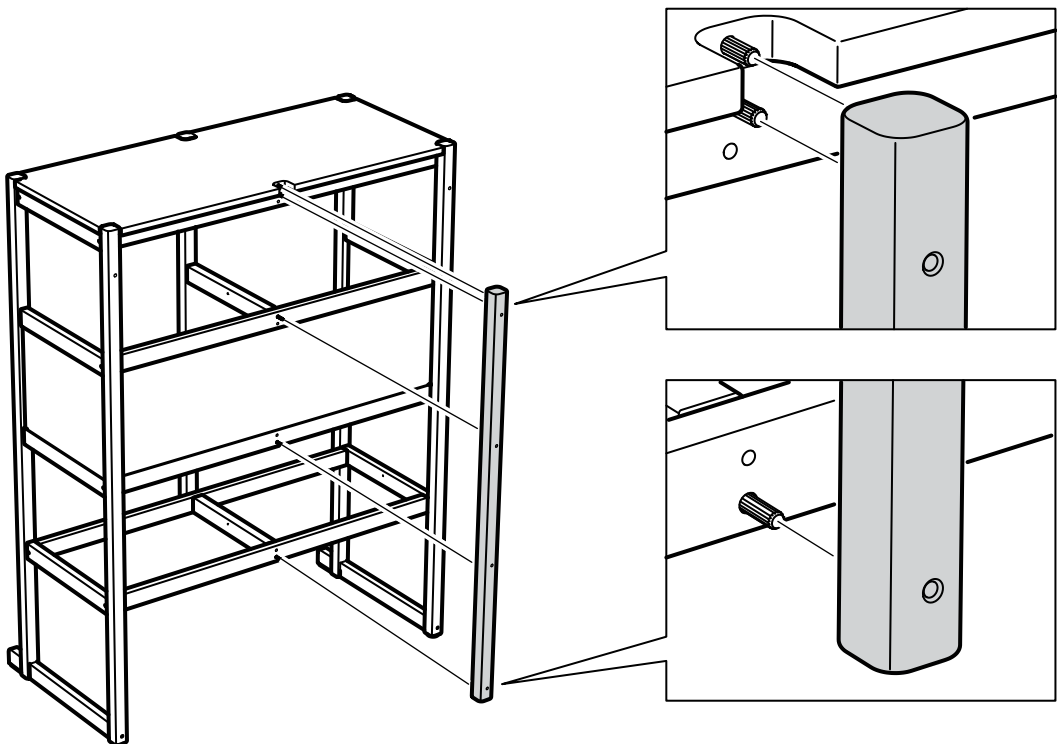
13



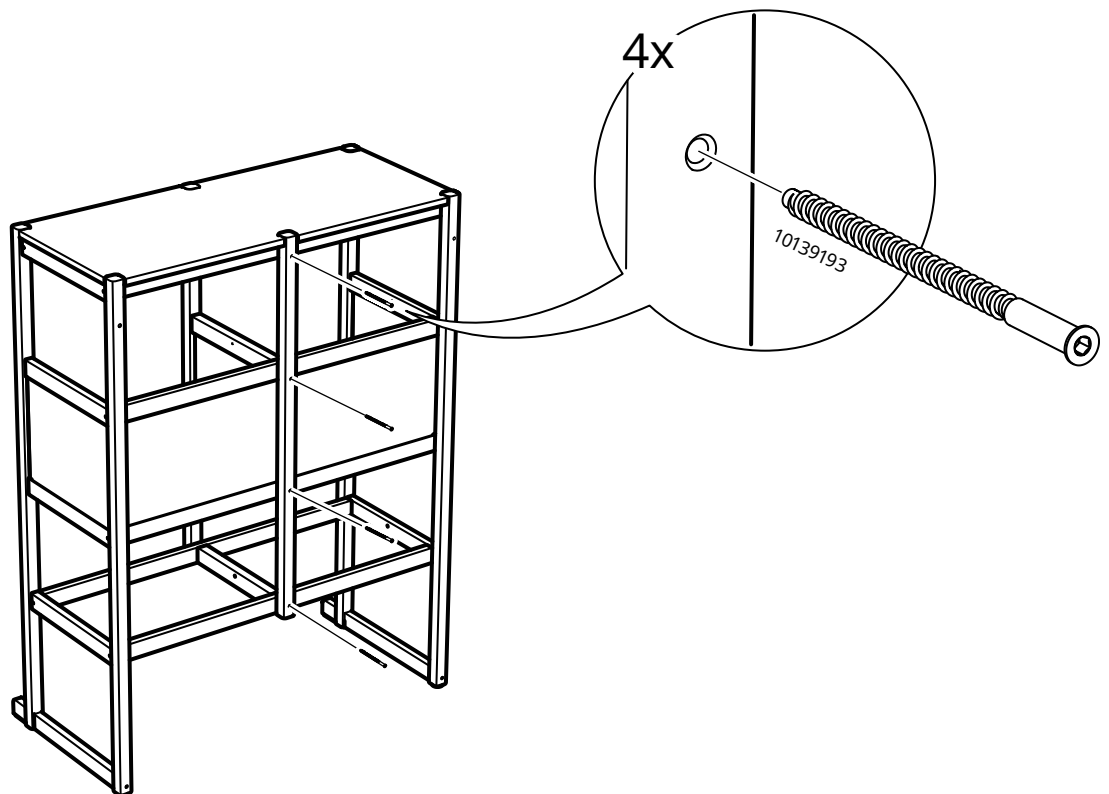
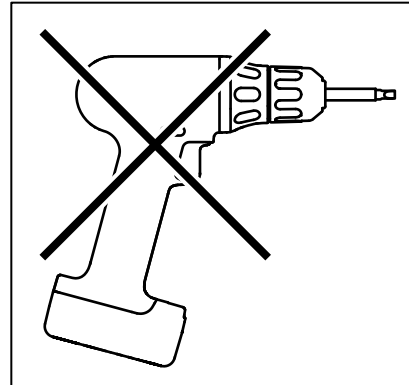
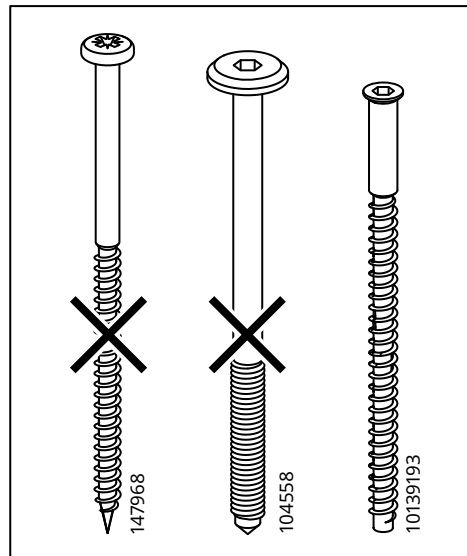
14

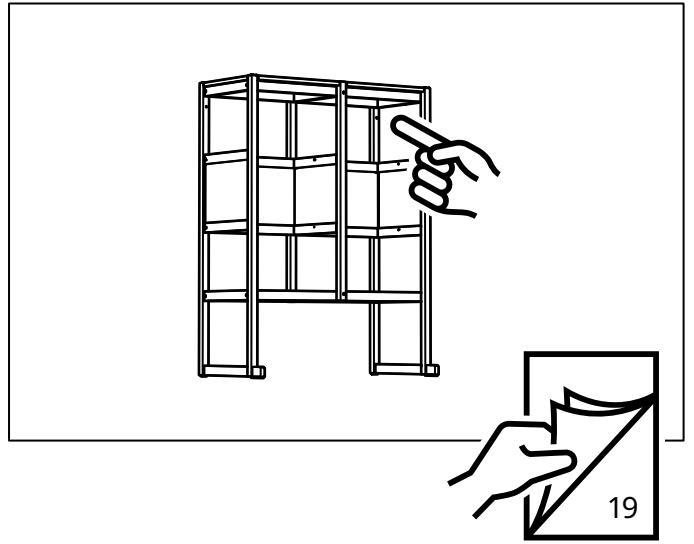
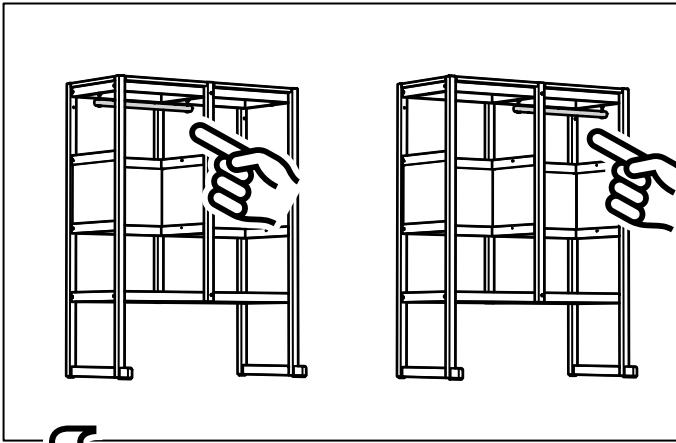


15

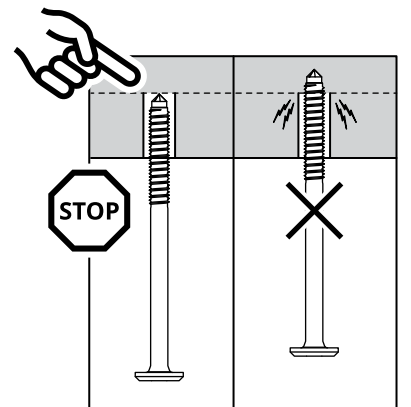
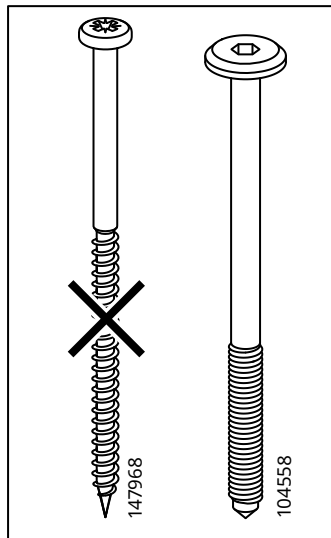
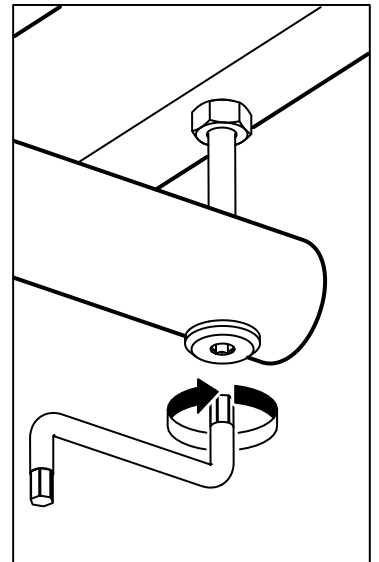
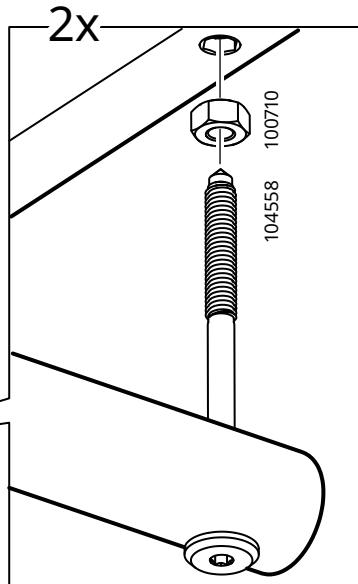
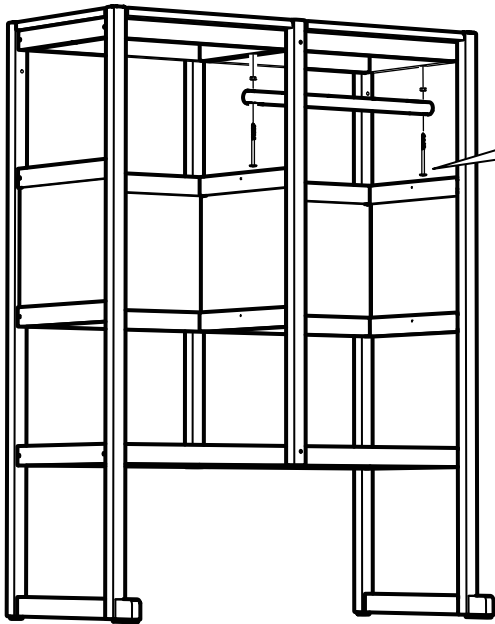


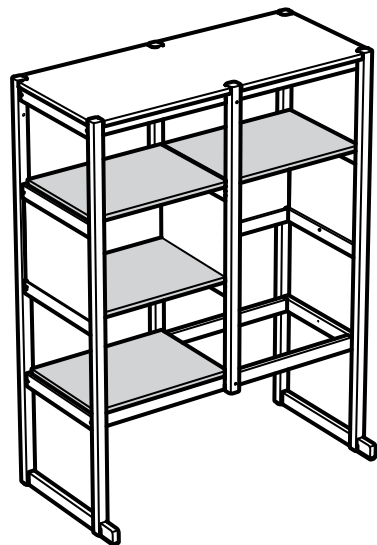
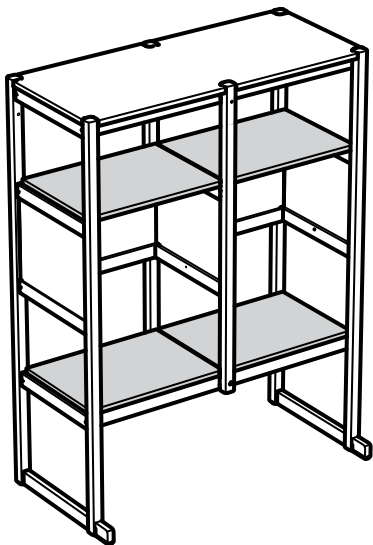
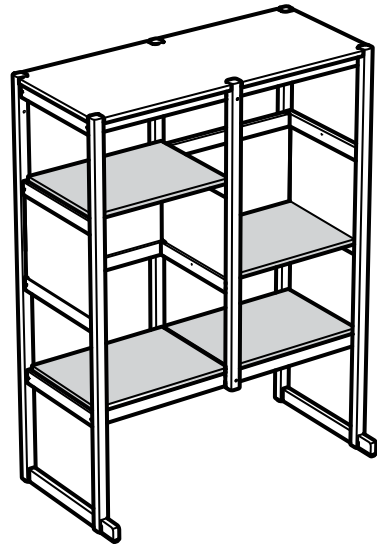
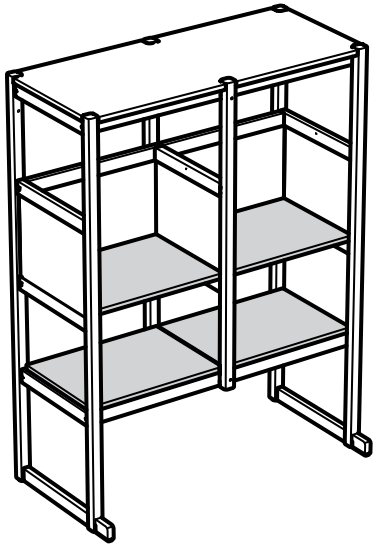
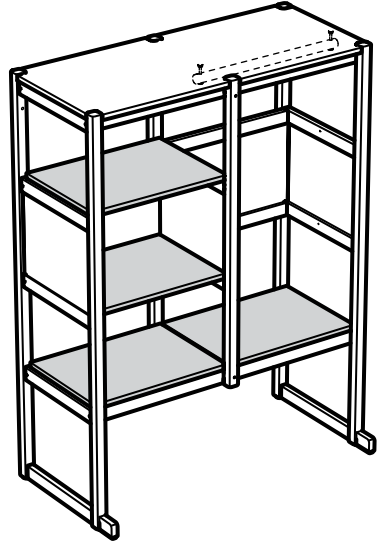
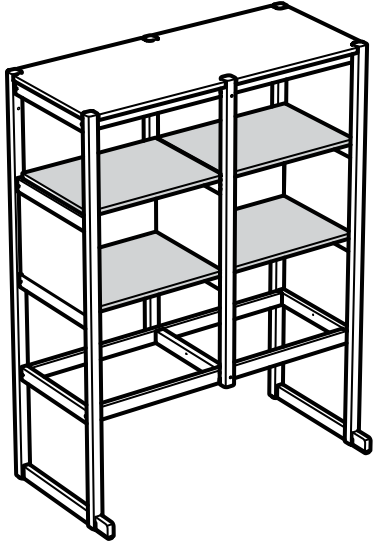
16

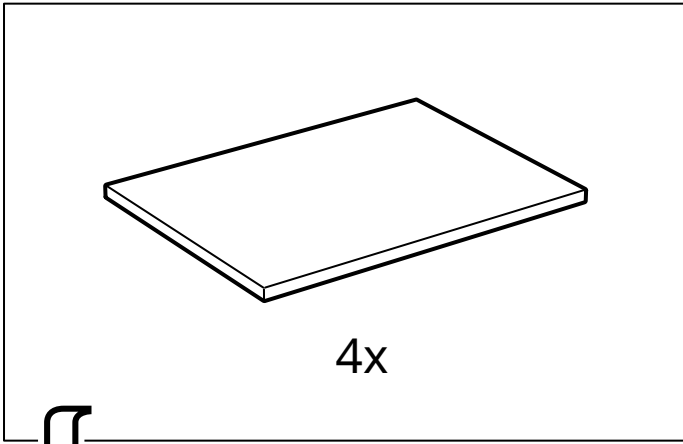




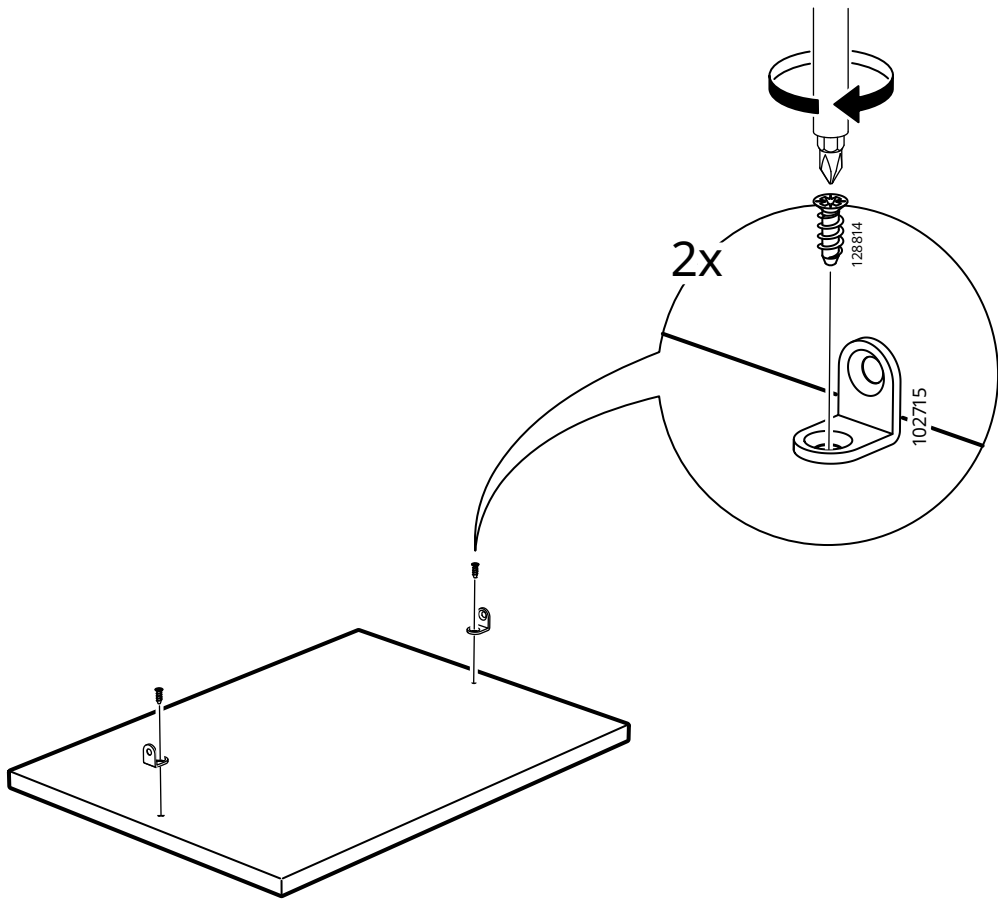
↕
17

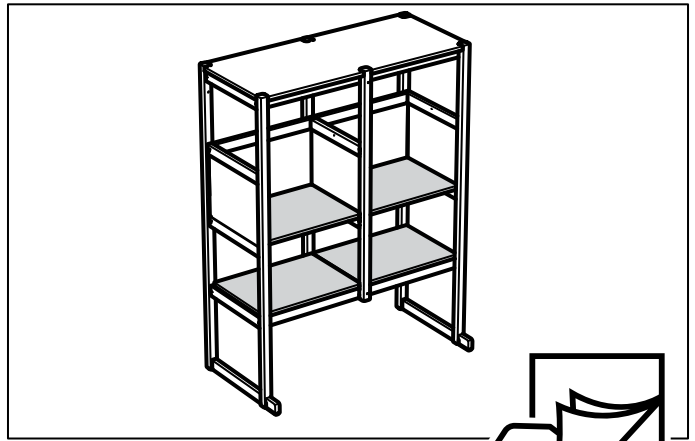
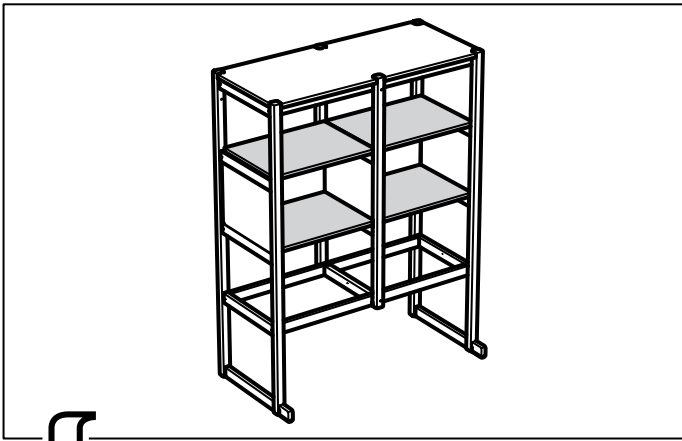




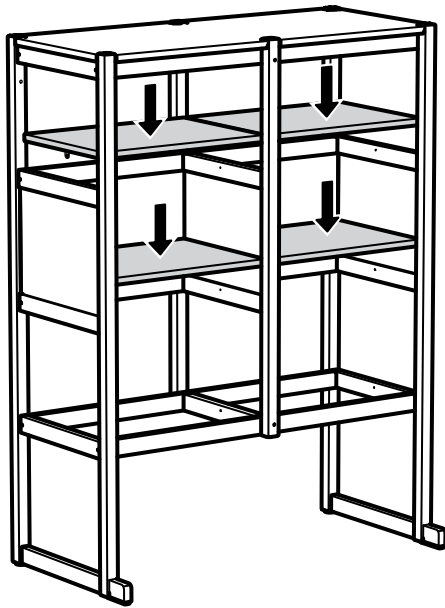


18

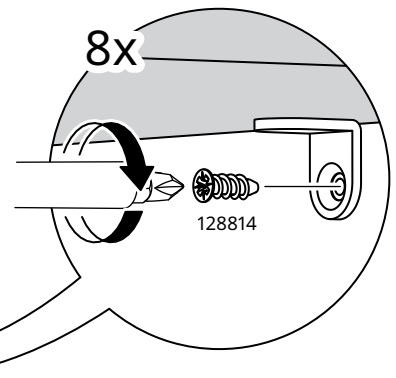
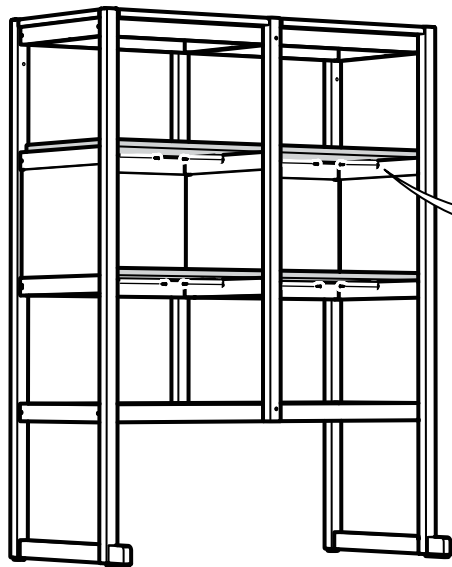


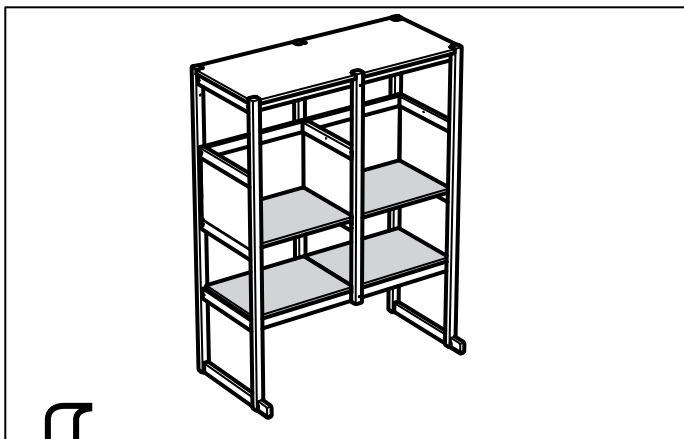


↕
19

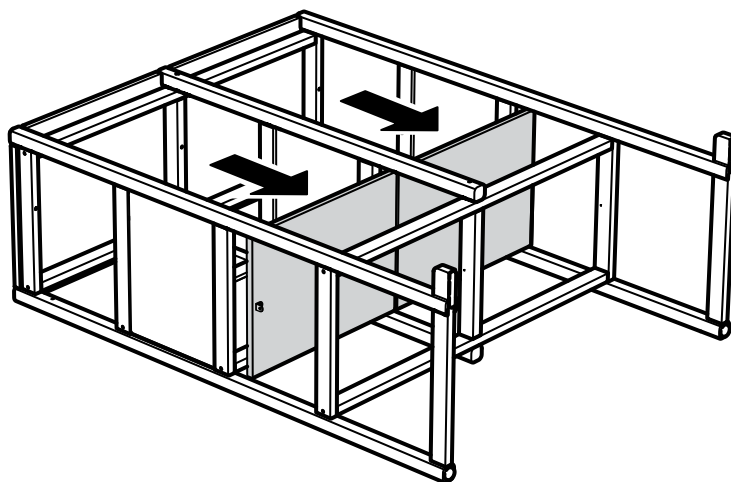
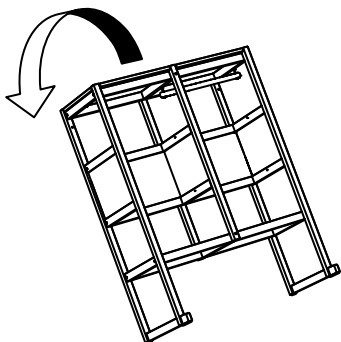


20

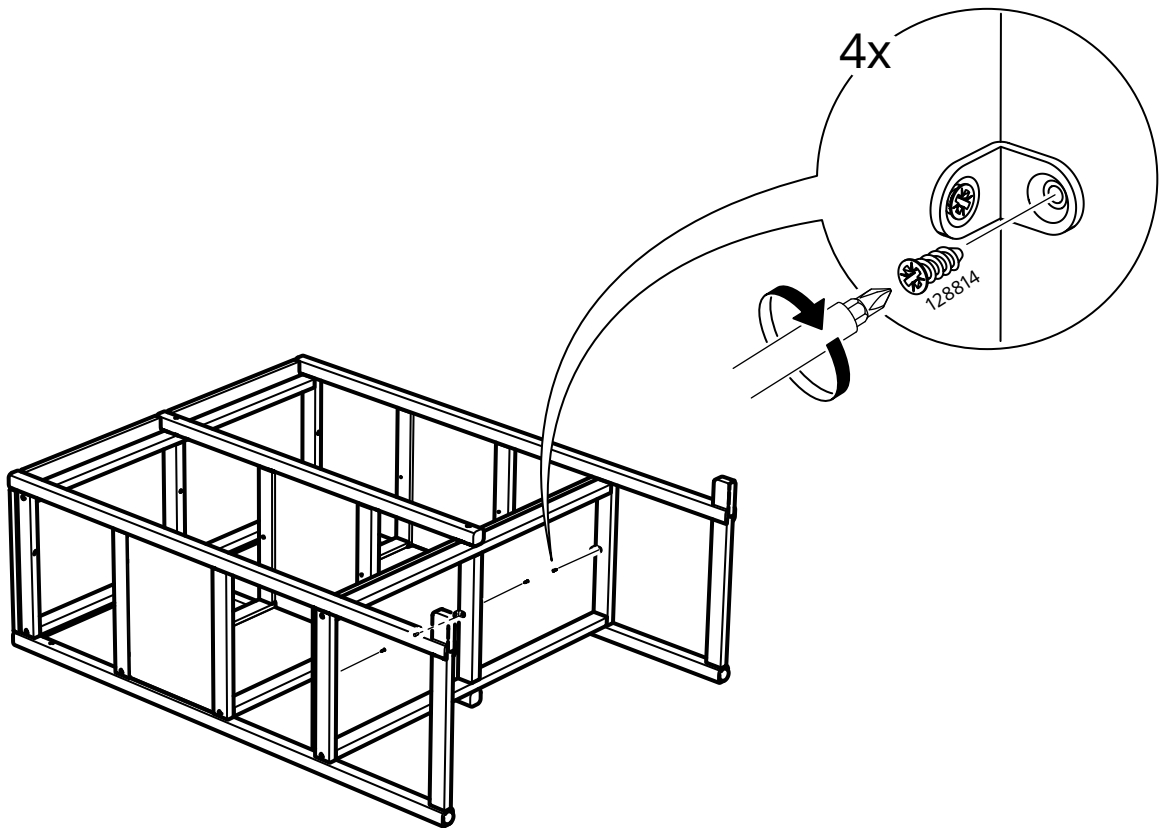




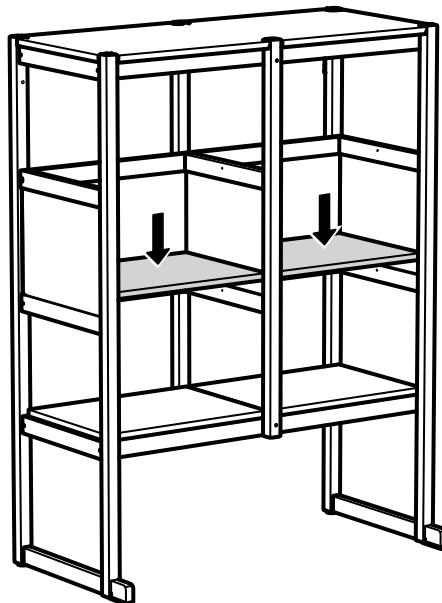
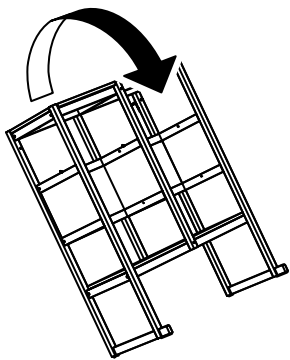
19

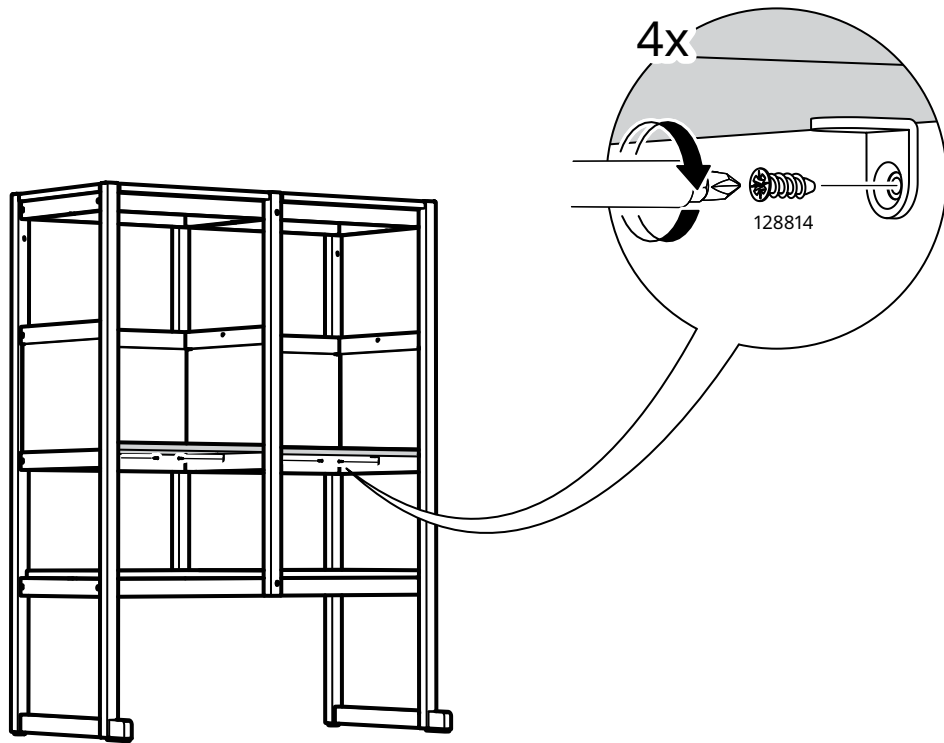


20

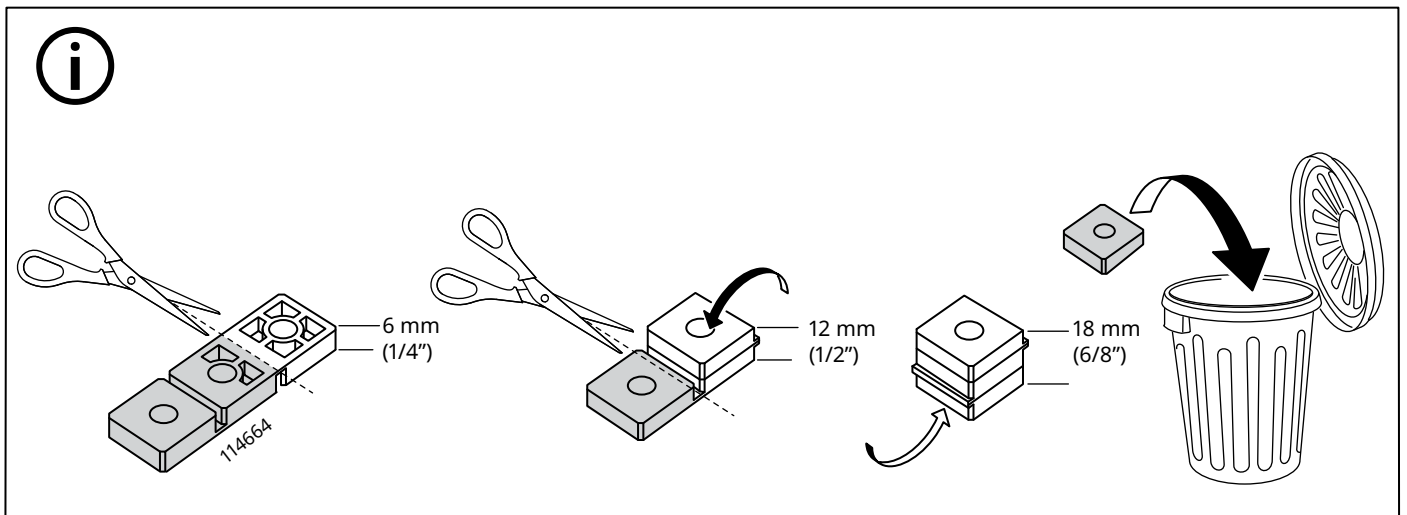
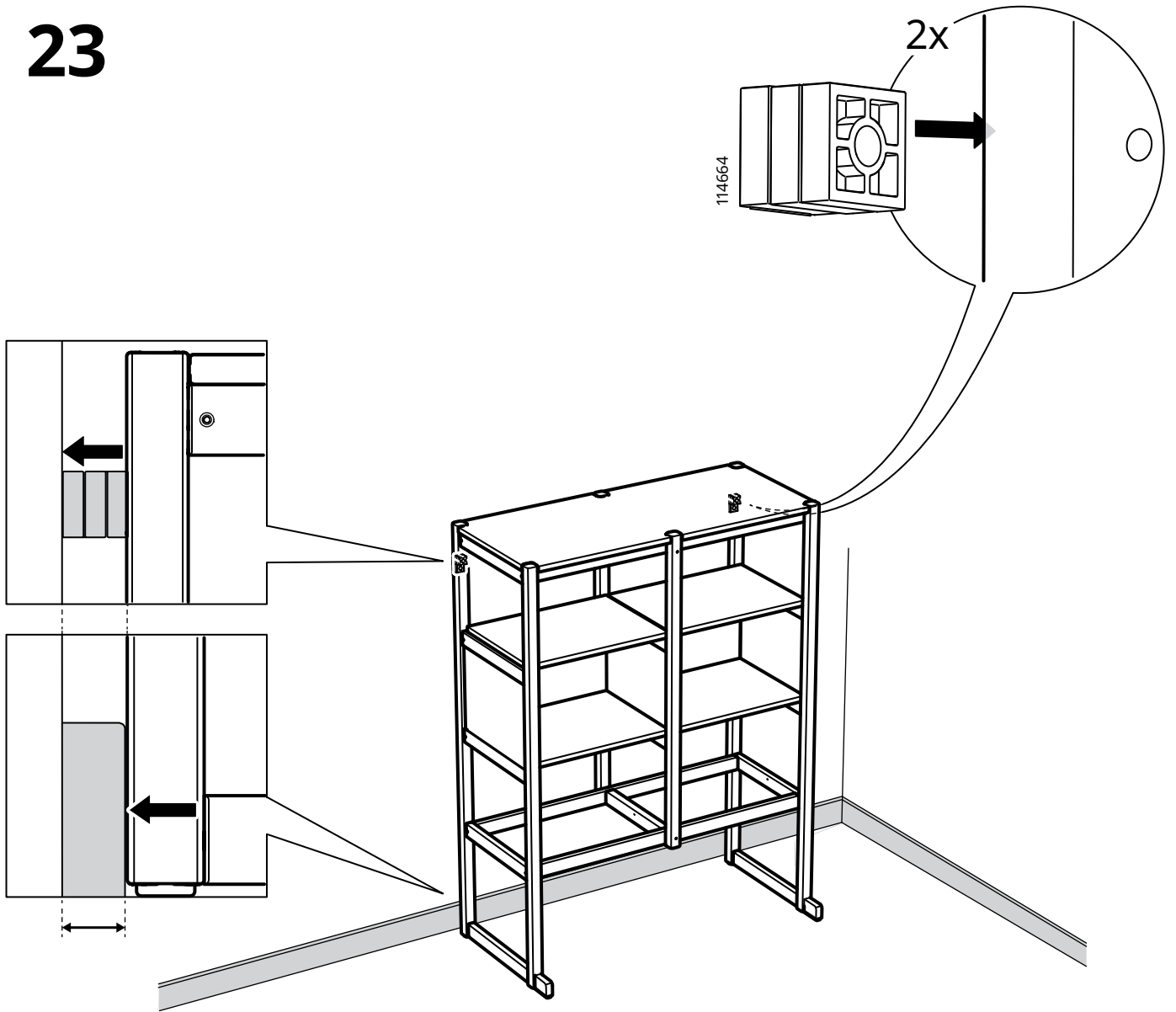


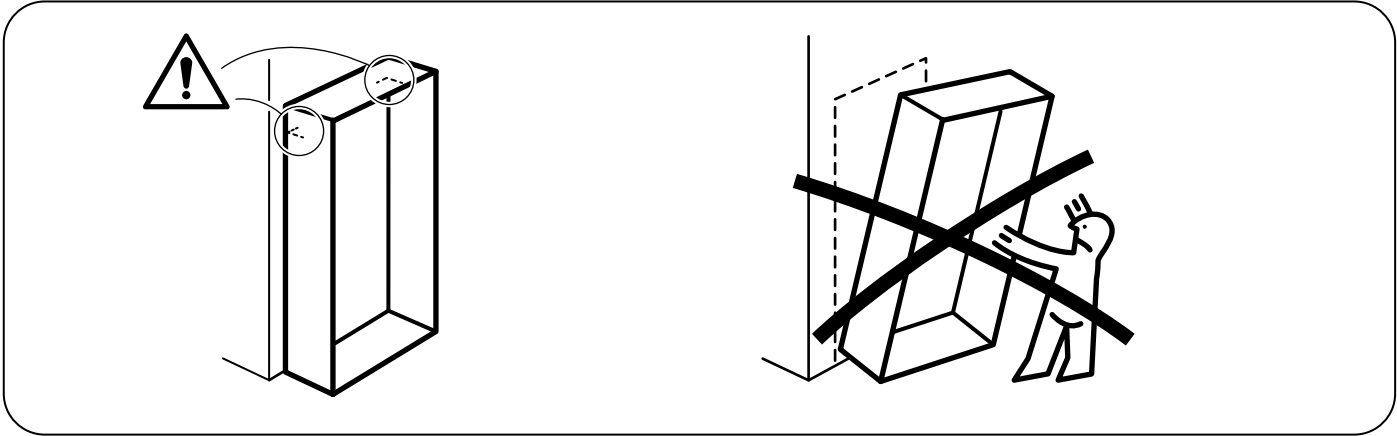
21





23





24

