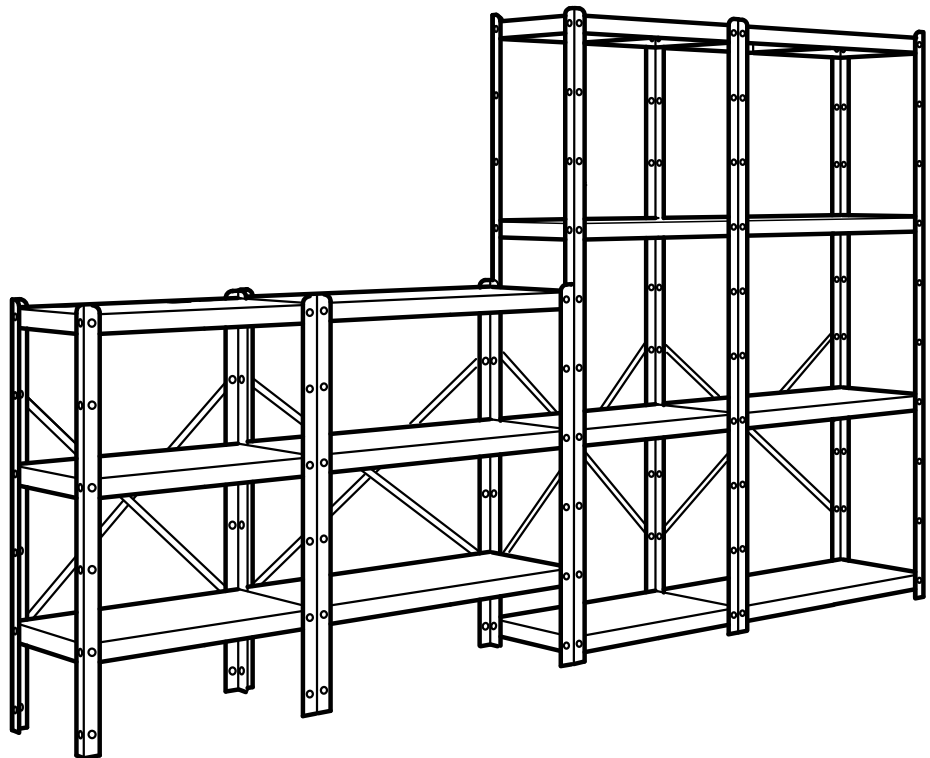
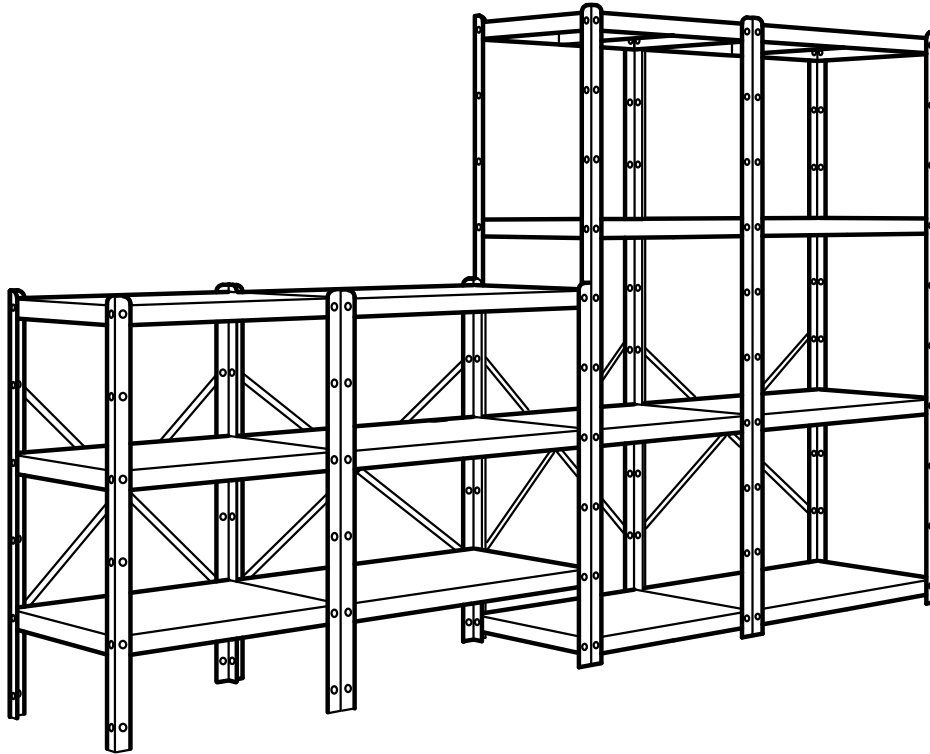


BROOR



Design and Quality
IKEA of Sweden



English

WARNING

Children have died from furniture tipover. To reduce the risk of furniture tipover:

ALWAYS install anti-tip device provided.

NEVER put a TV on this product.

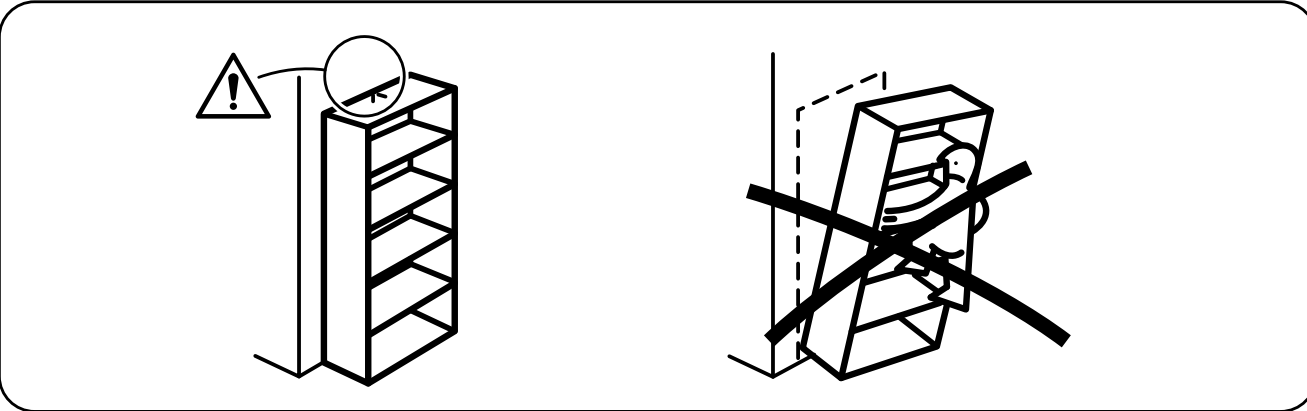
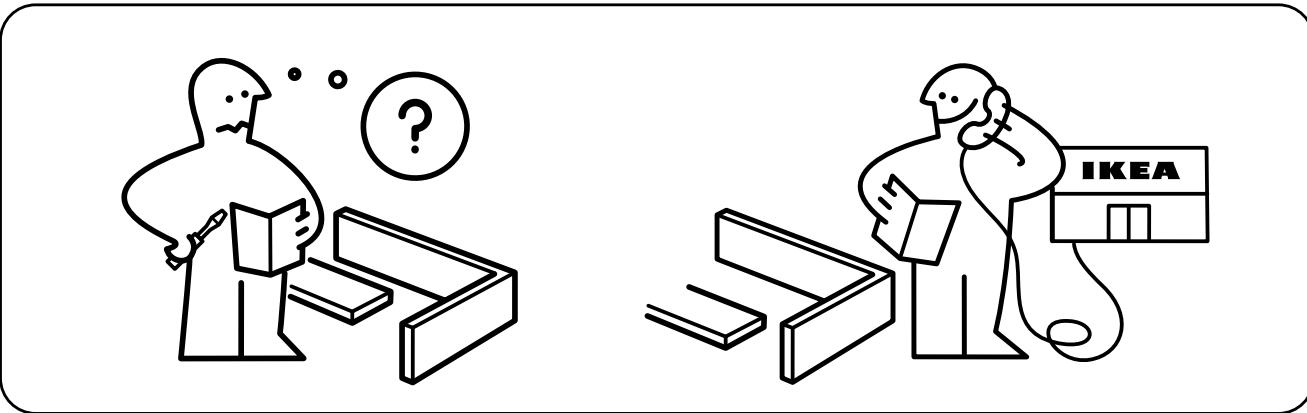
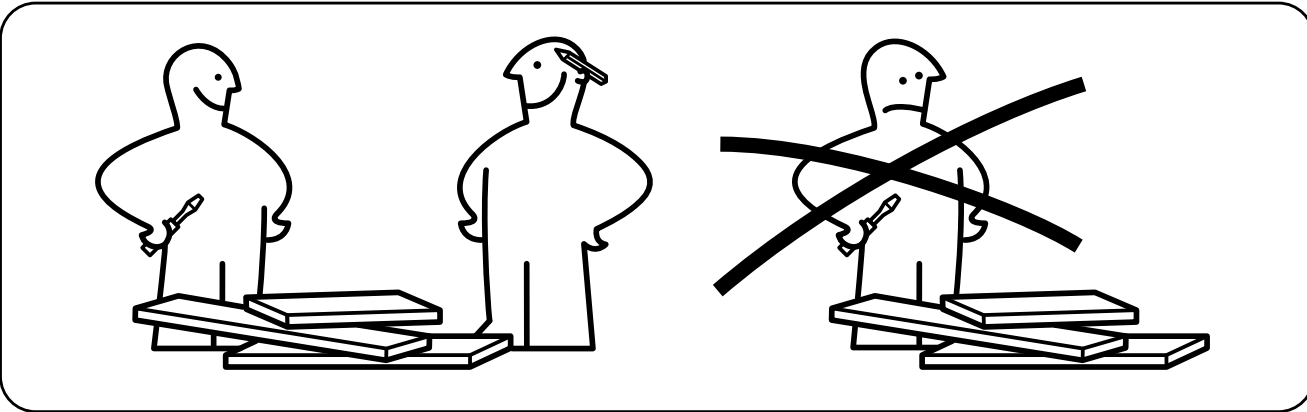
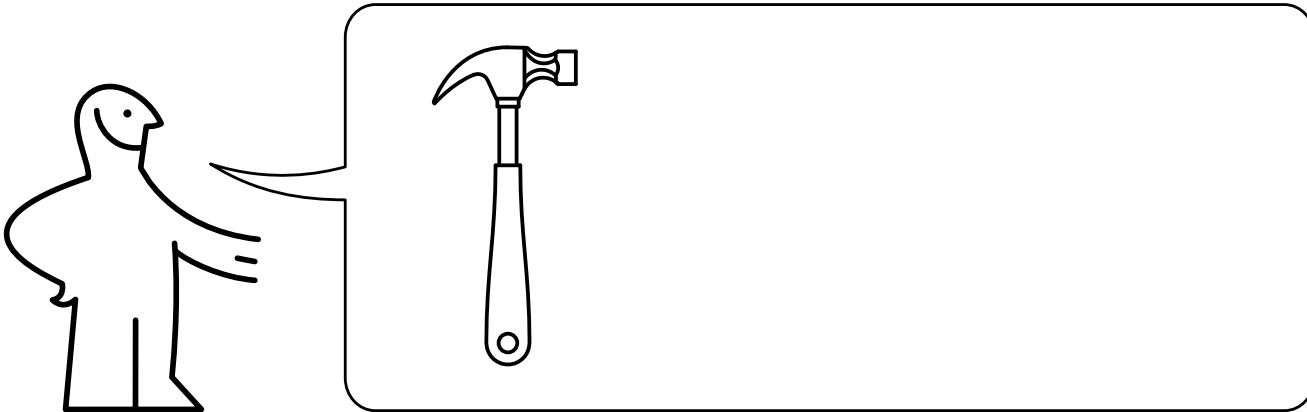
NEVER allow children to stand, climb, or hang on any drawers, doors, or shelves.

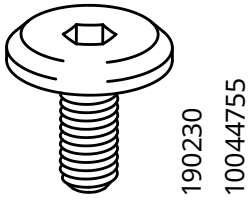
NEVER open more than one drawer at a time.

Place heaviest items in the lowest drawers.

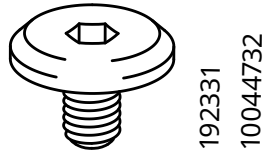
English

Read and follow each step of the instruction carefully.

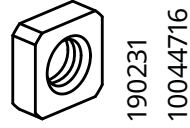




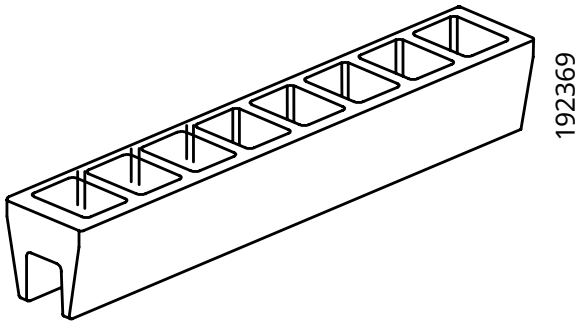
7x



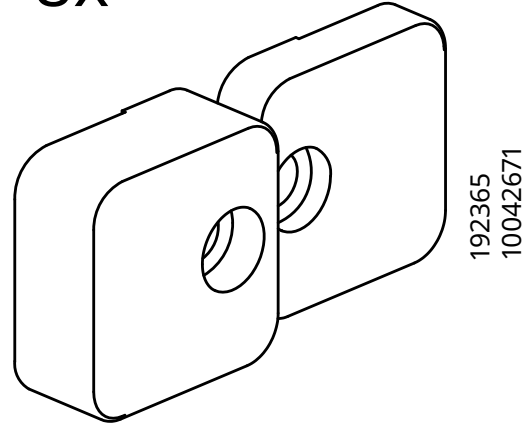
1x



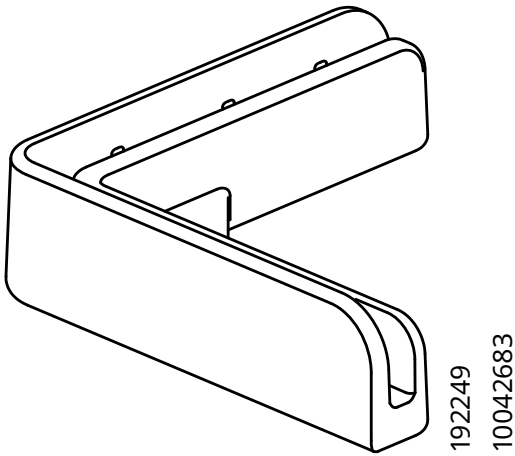
8x



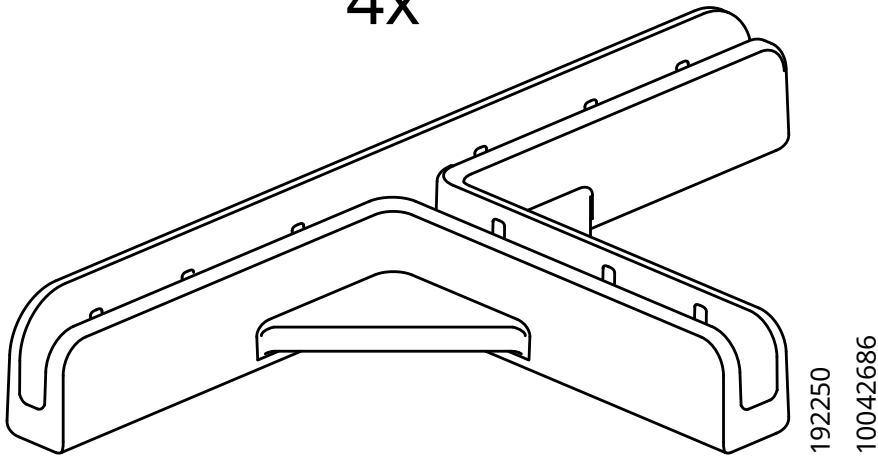
1x



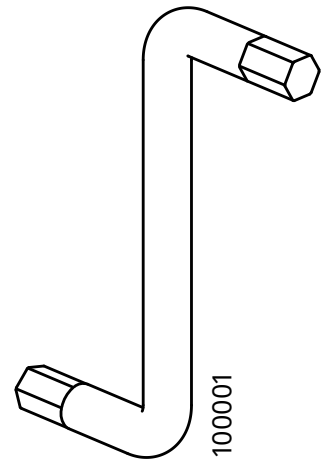
2x



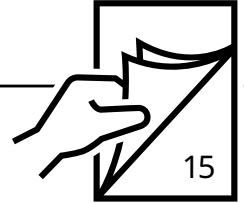
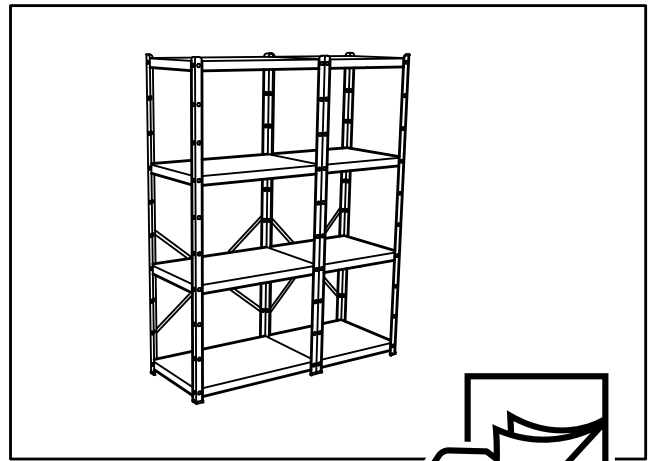
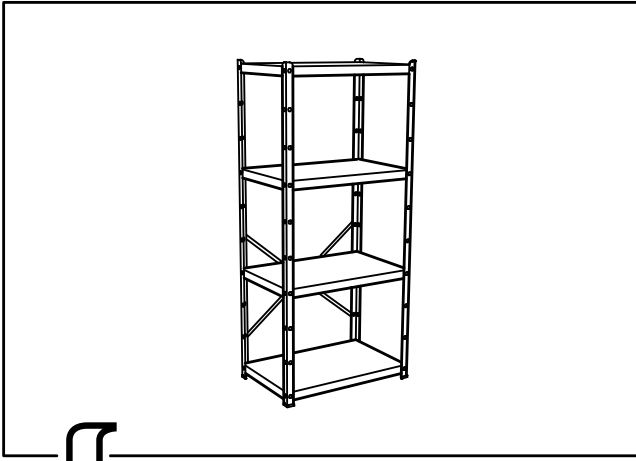
4x



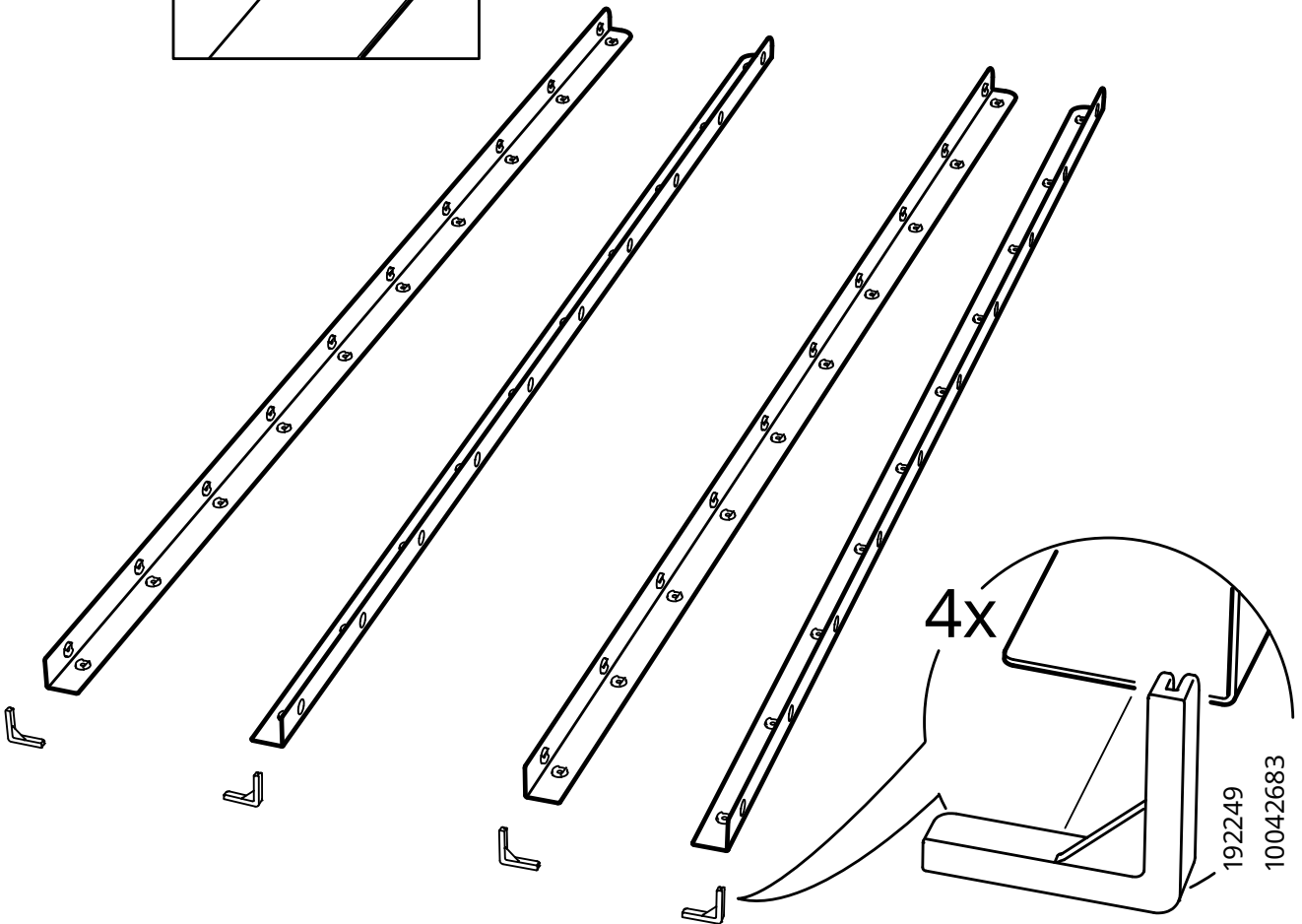
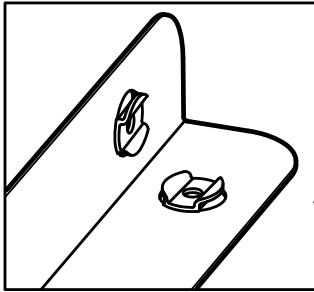
2x



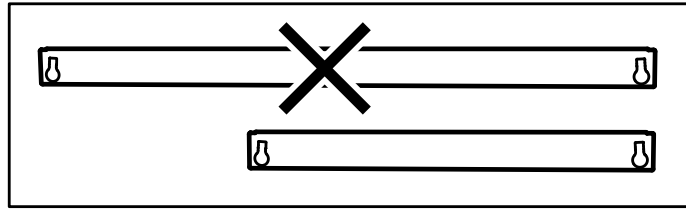
1x



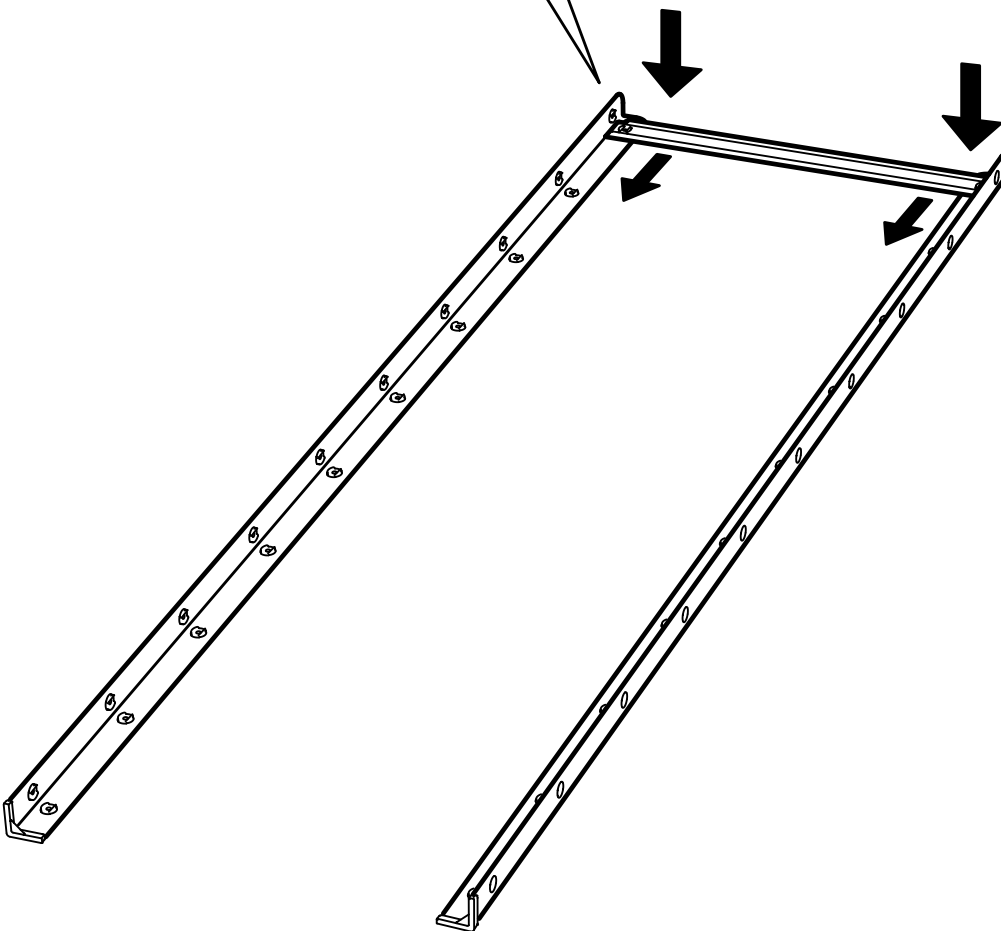
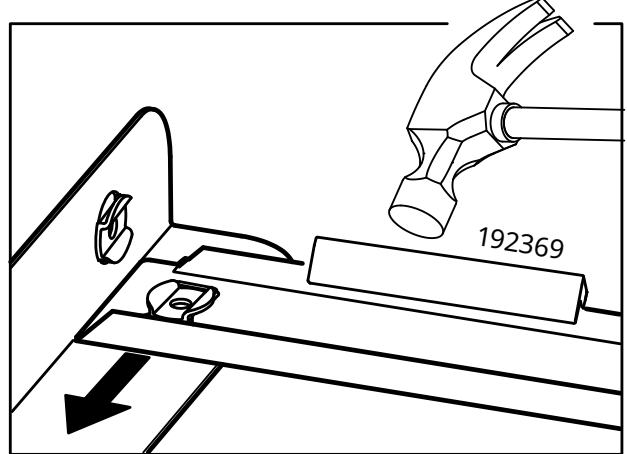
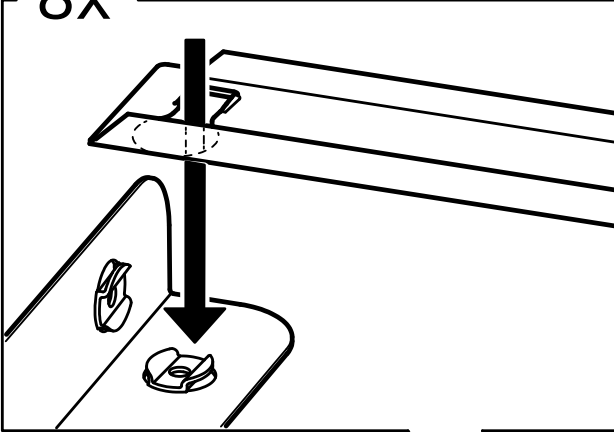
1



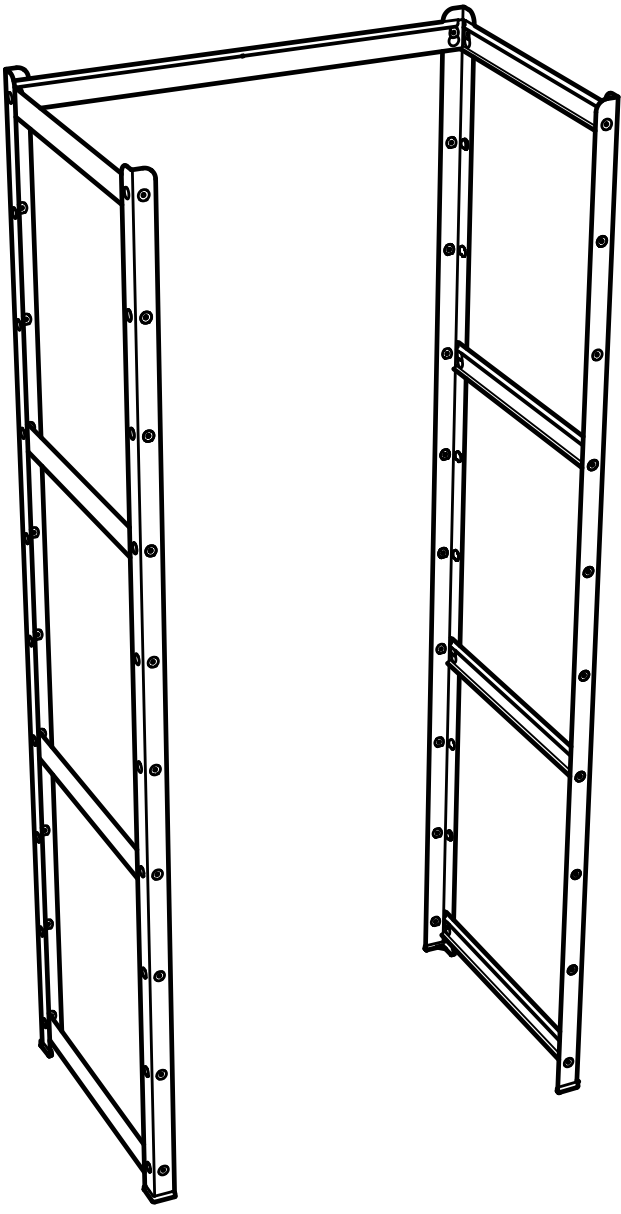
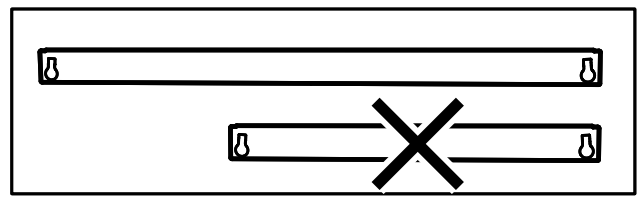
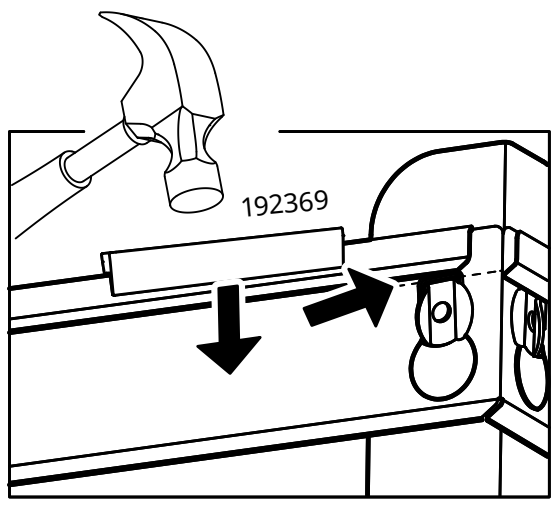
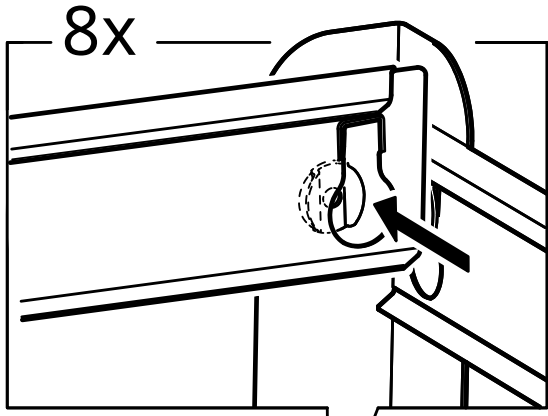
2

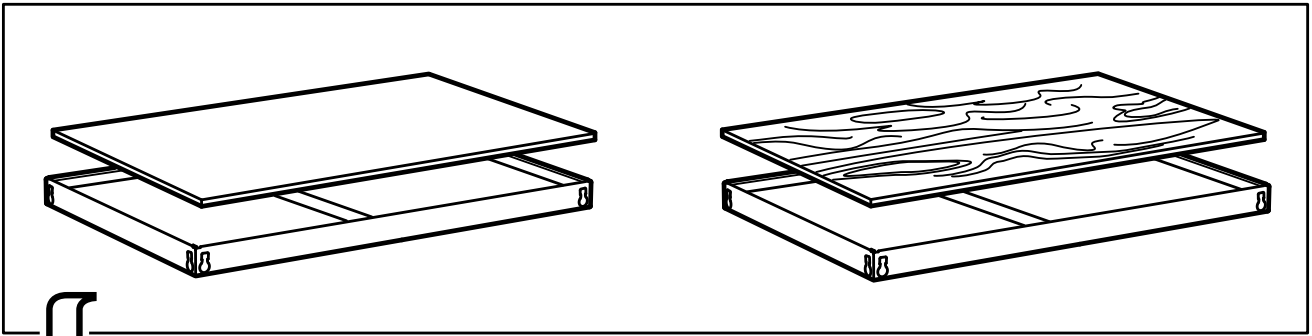


8x

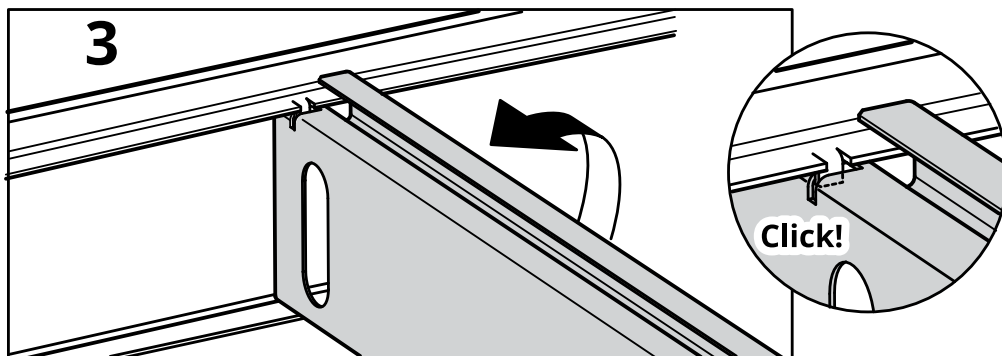
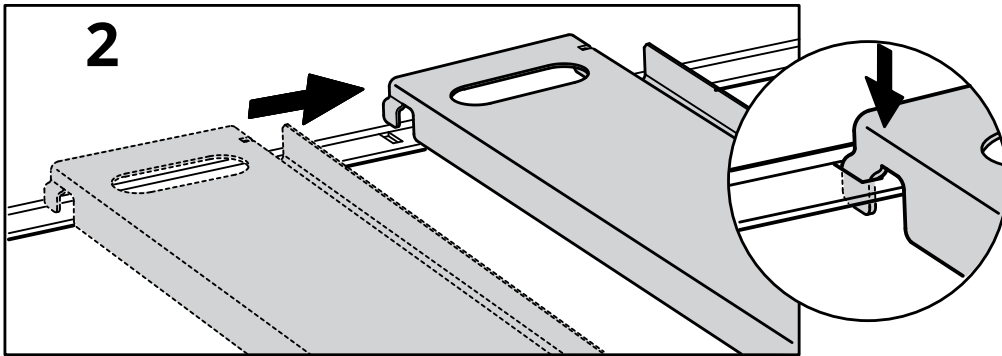
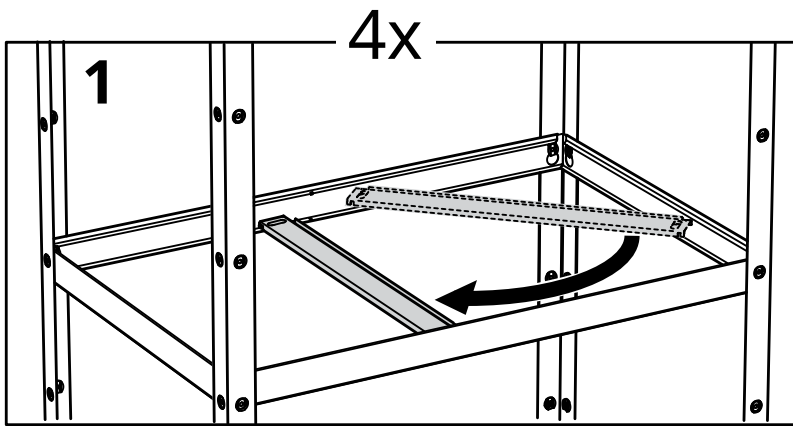


3

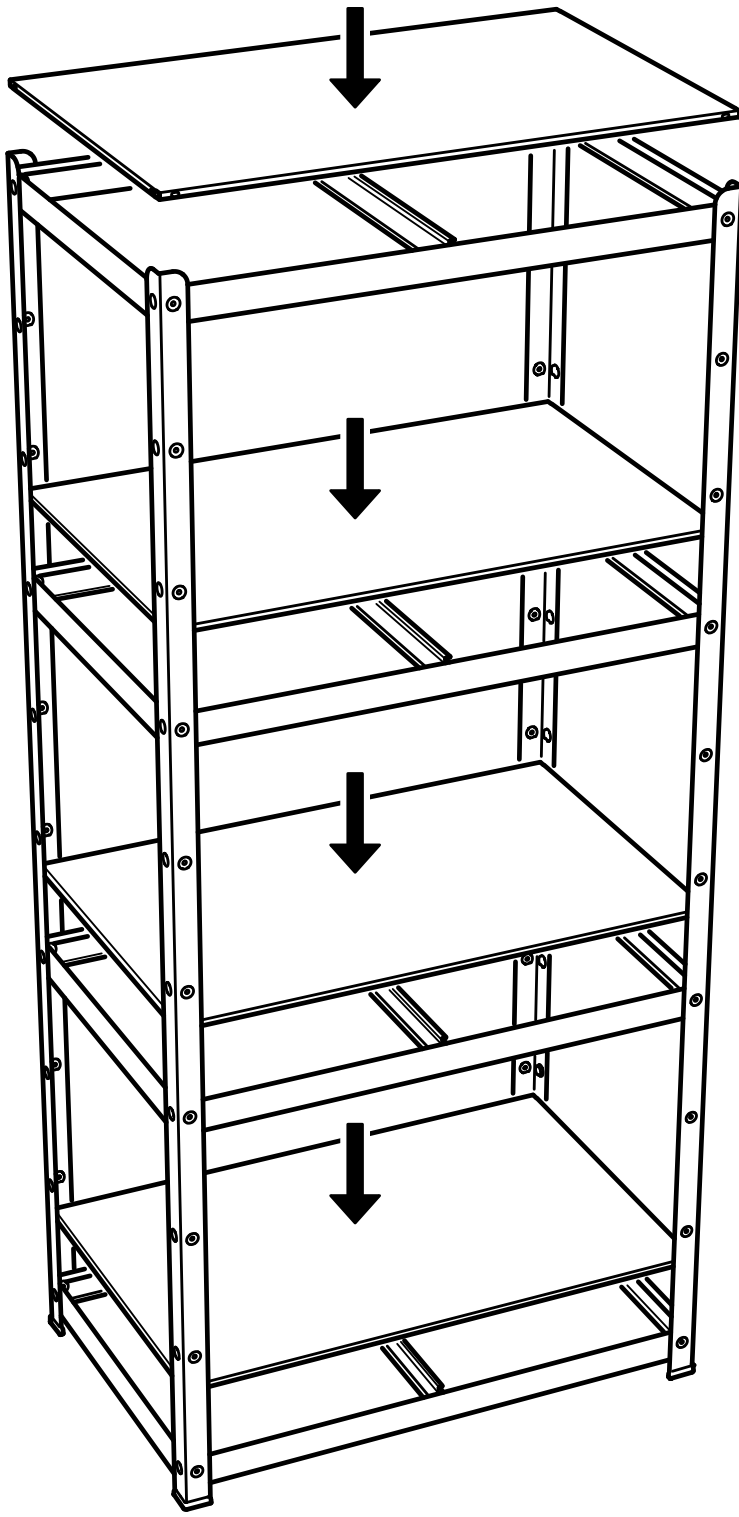


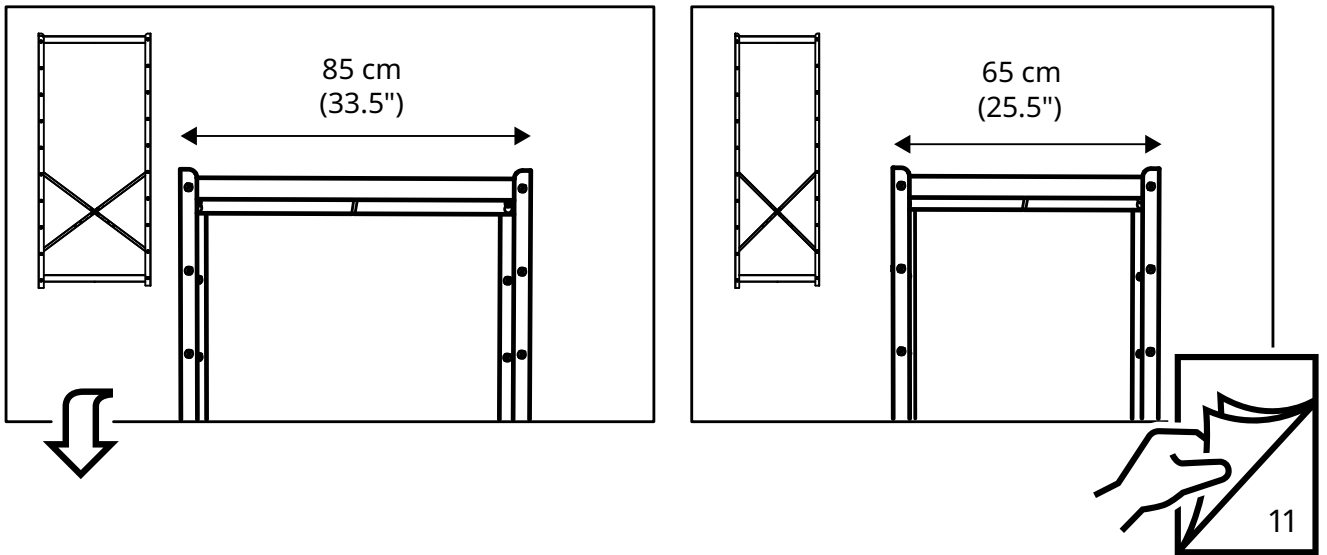


4

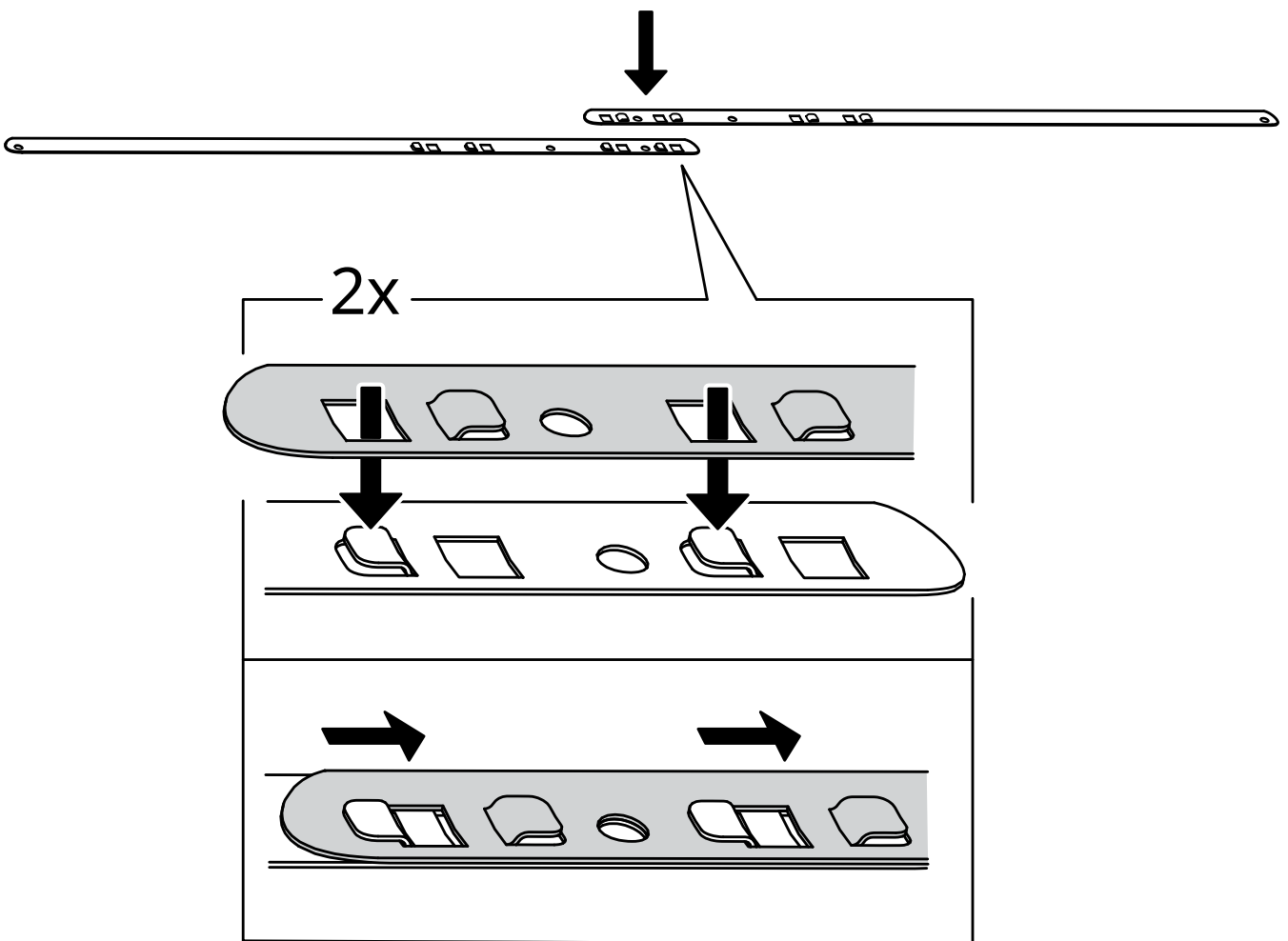


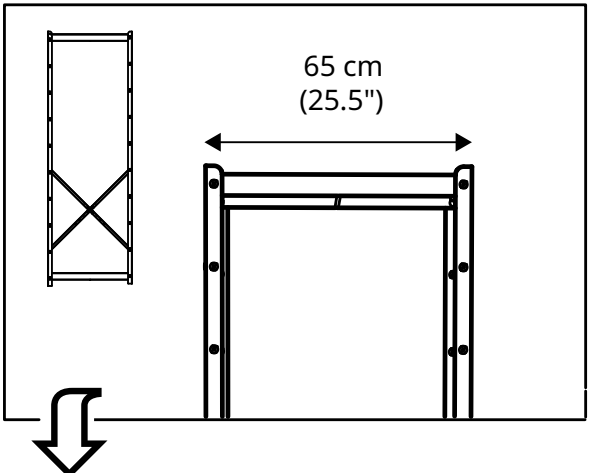
5



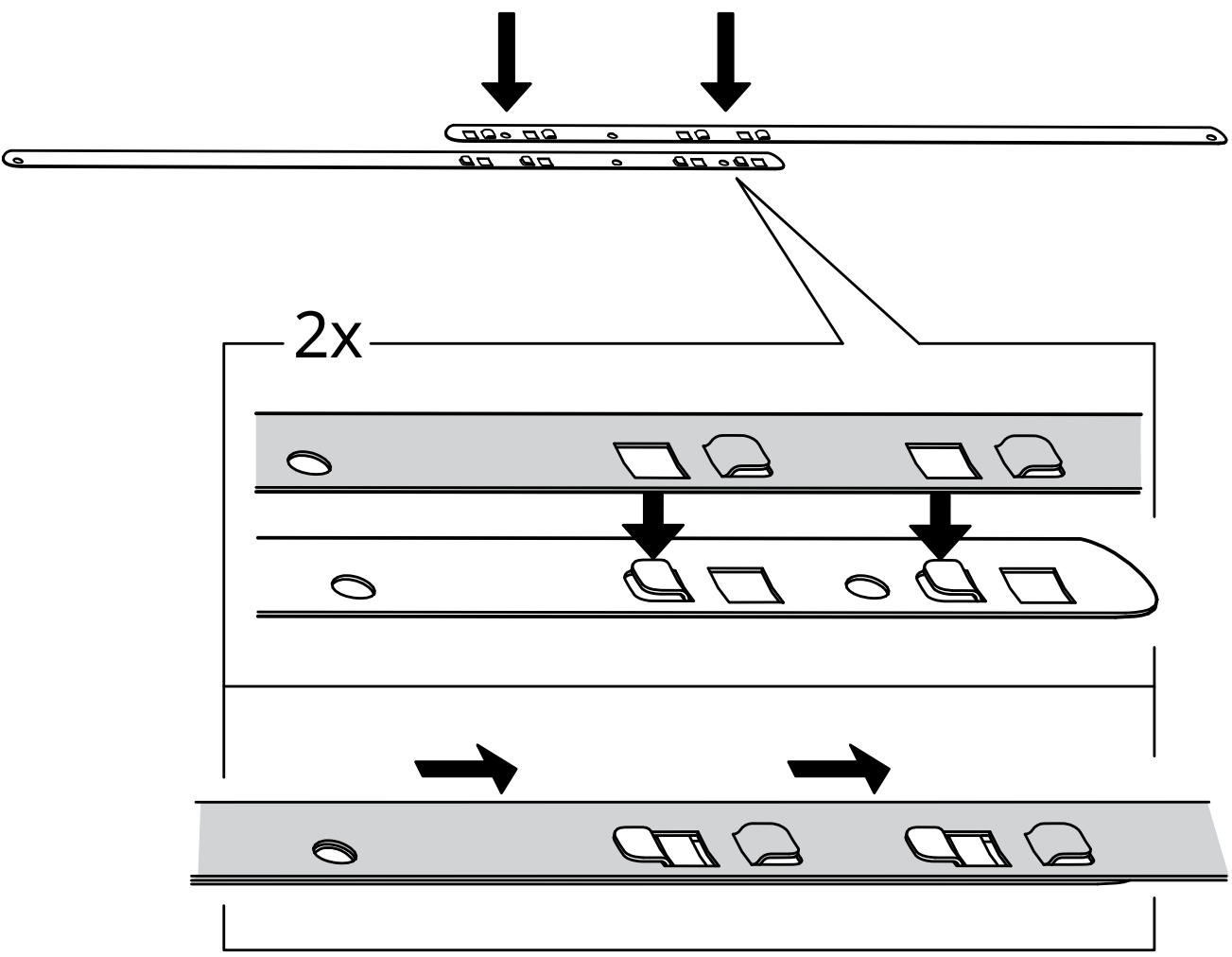


6

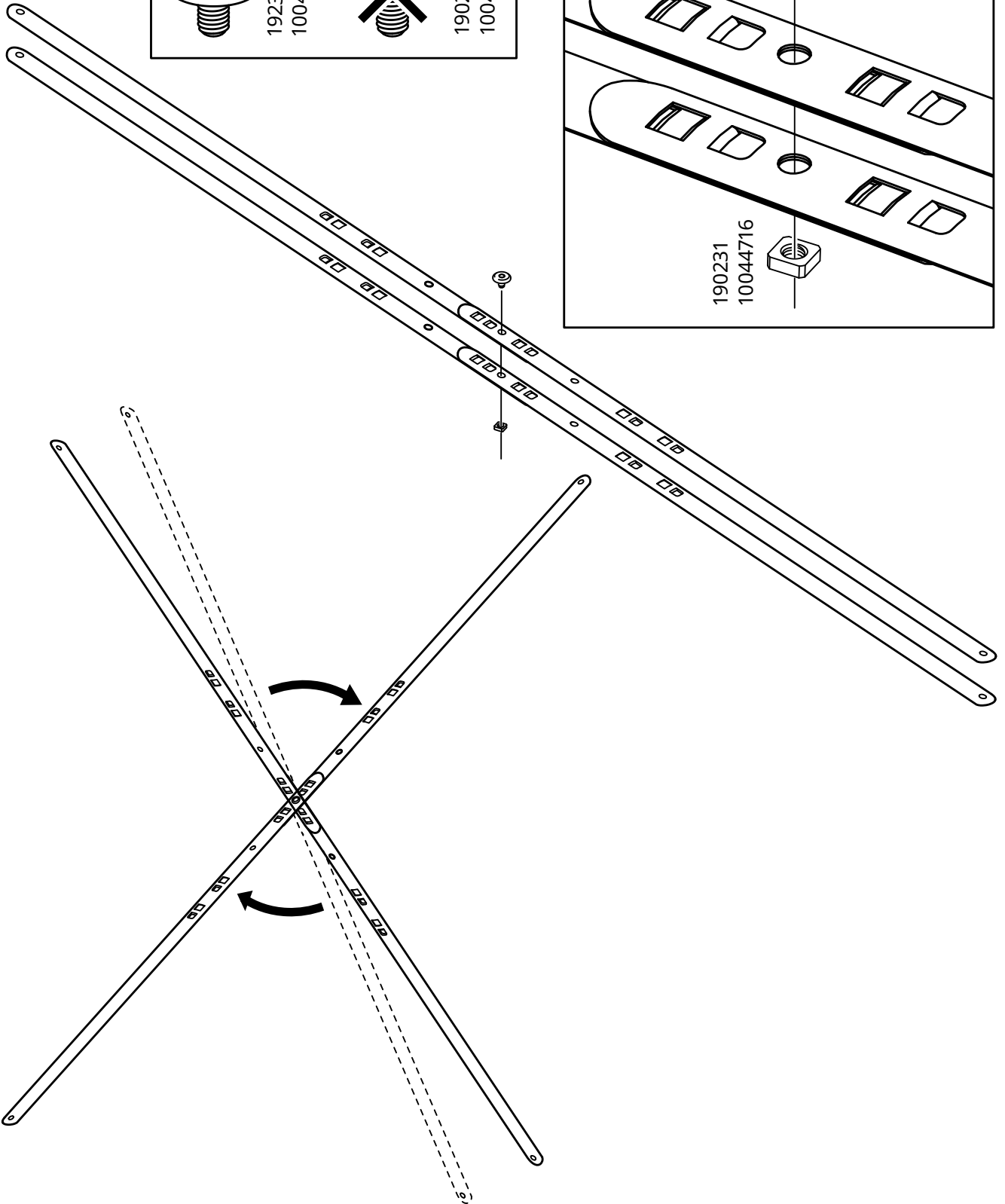
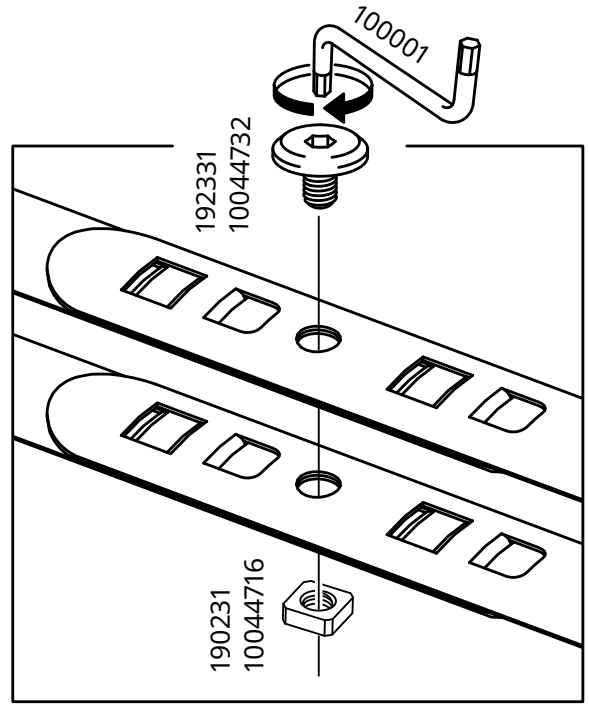
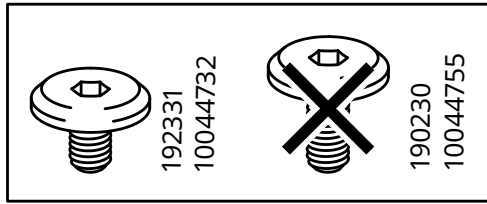




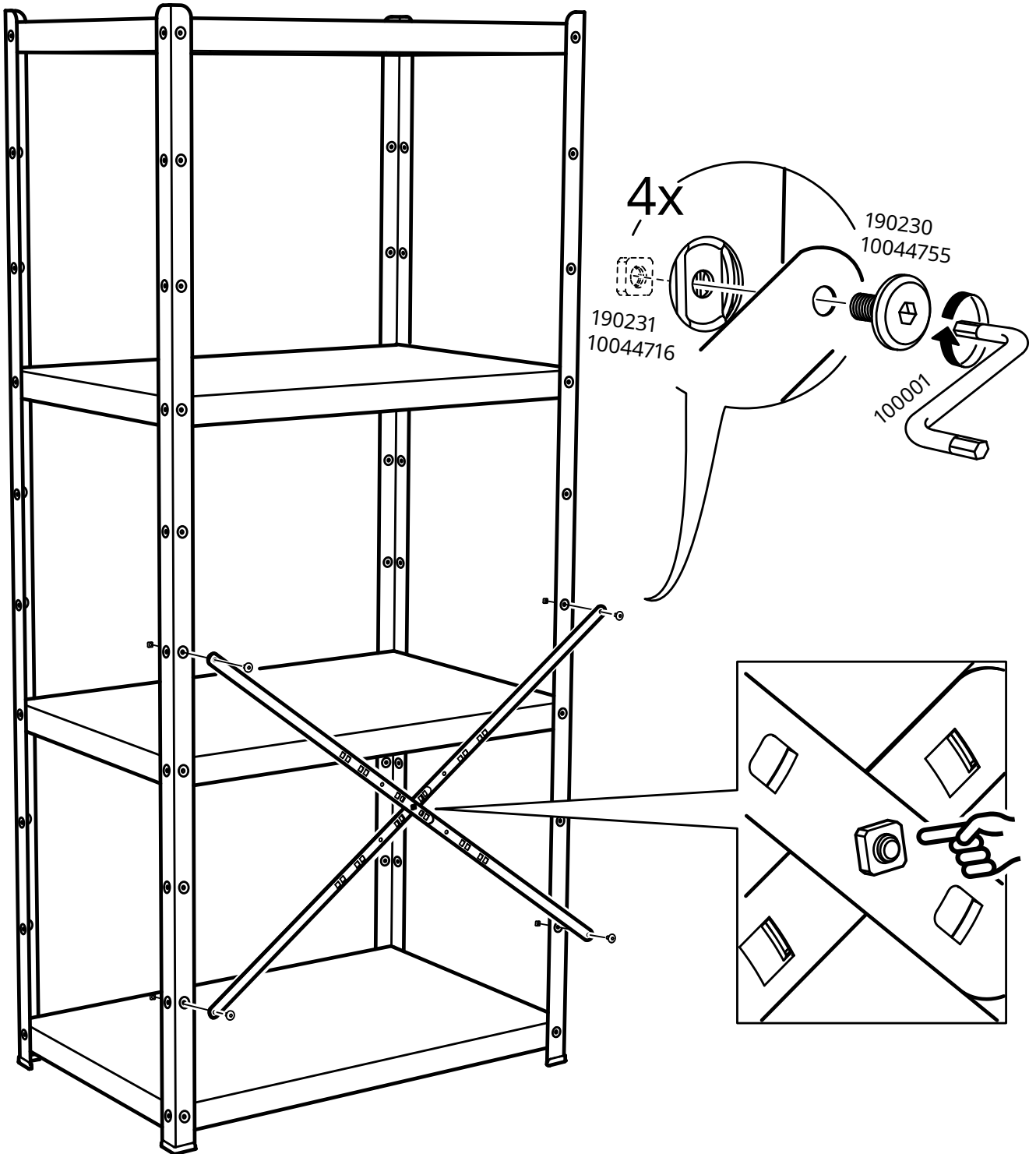
6

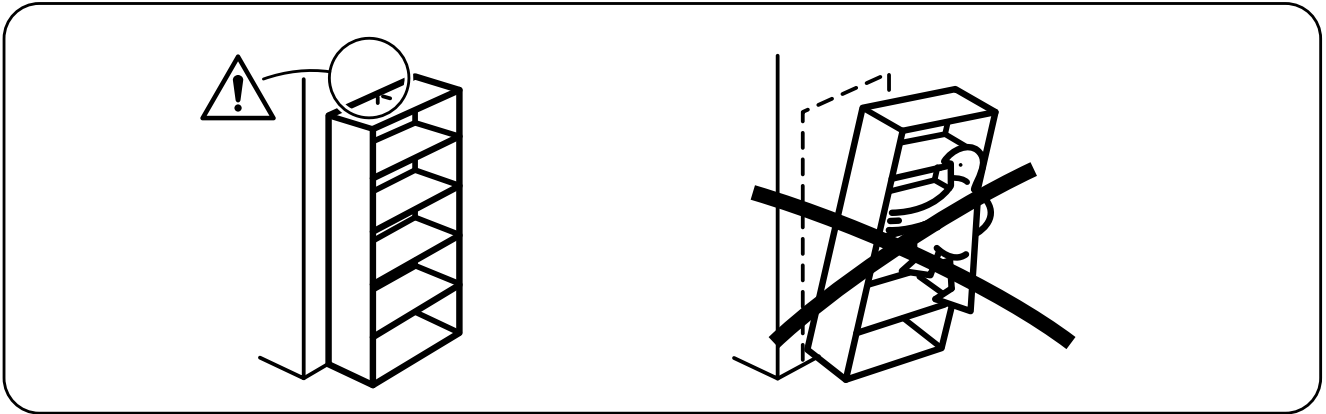


7

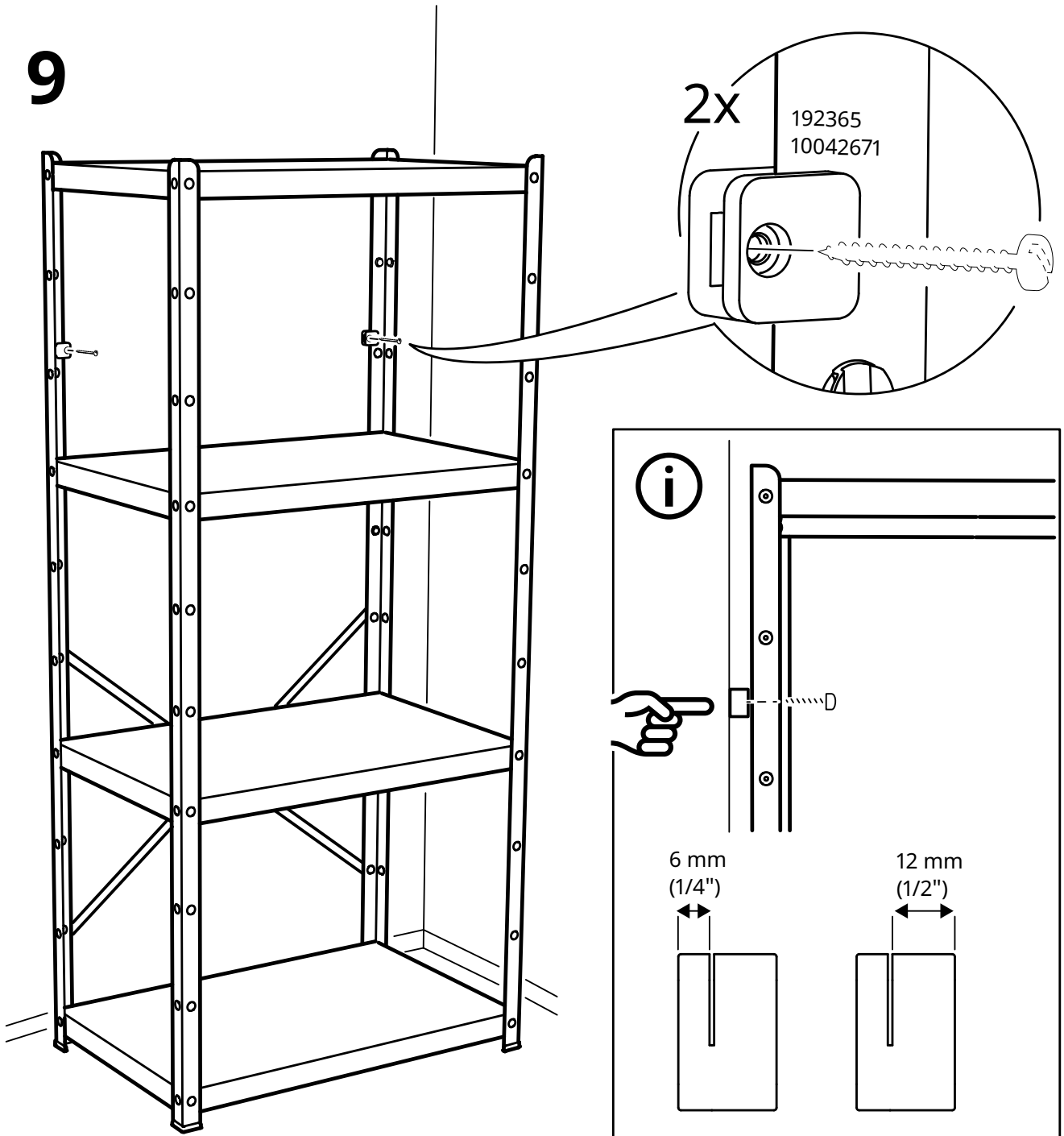


8

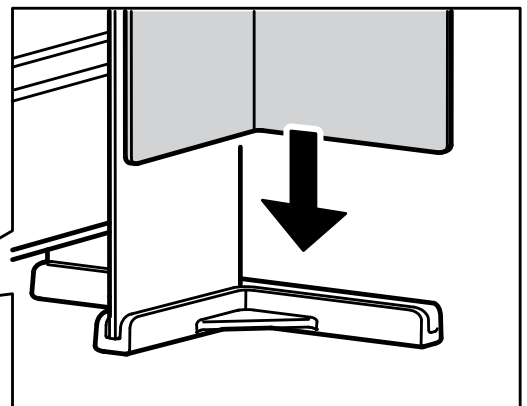
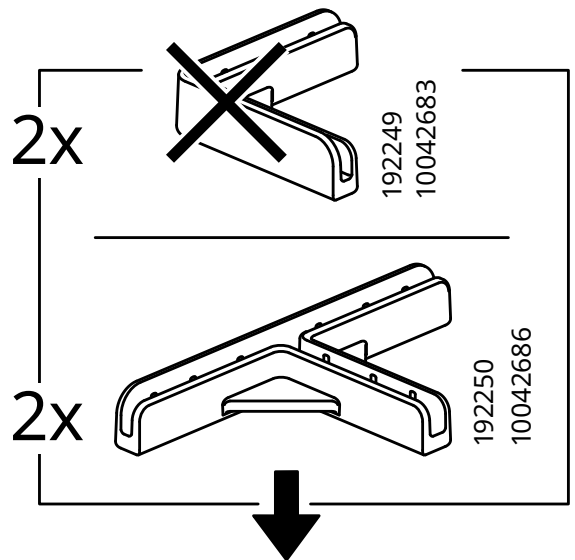
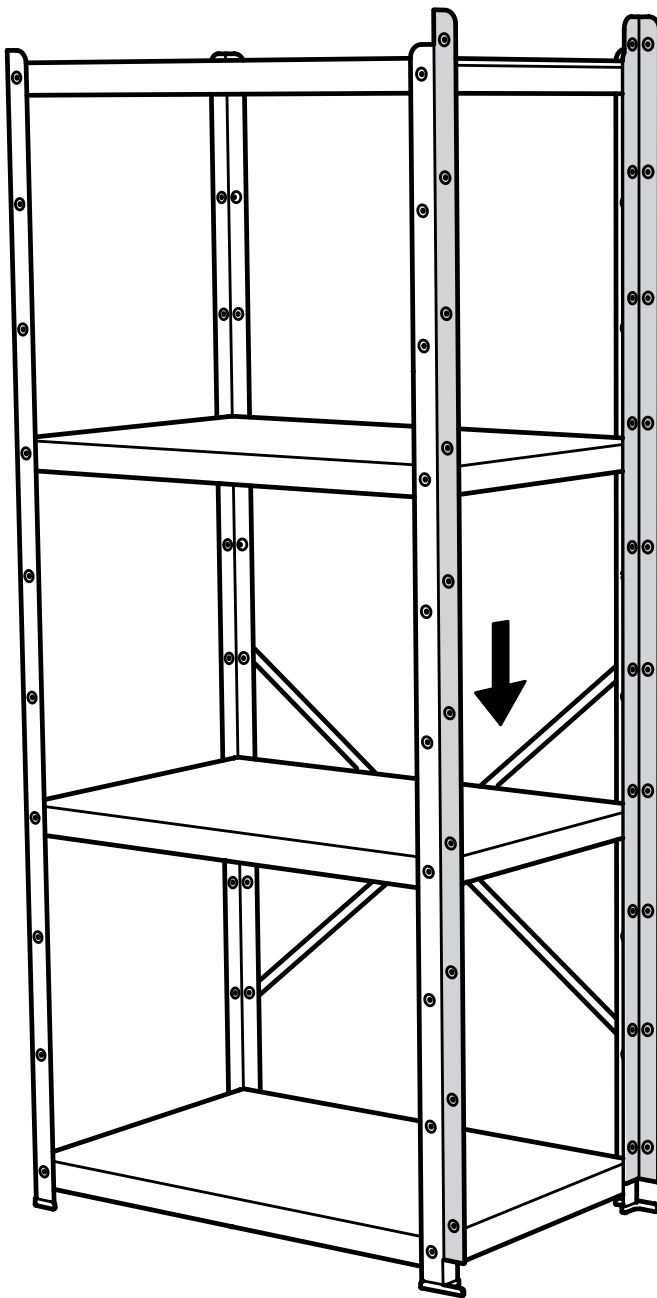
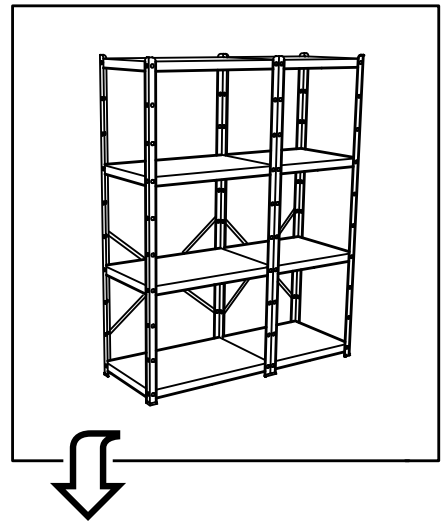




9



1



2

