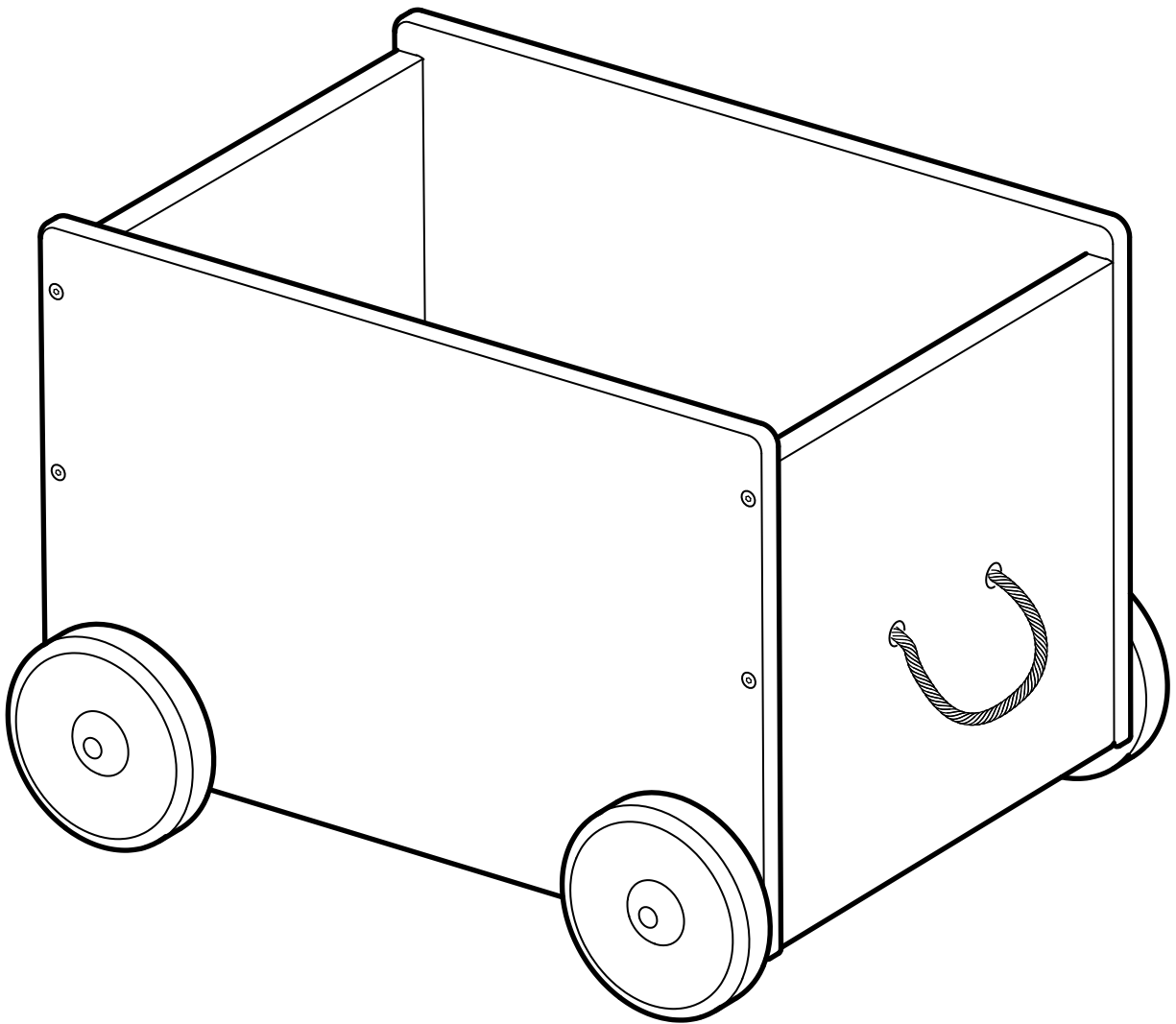
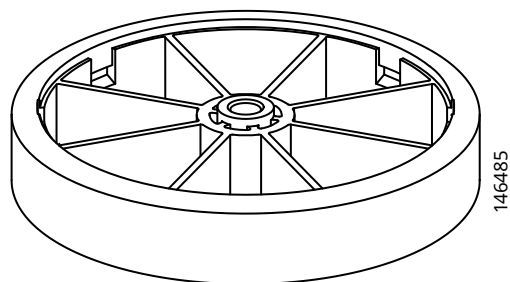
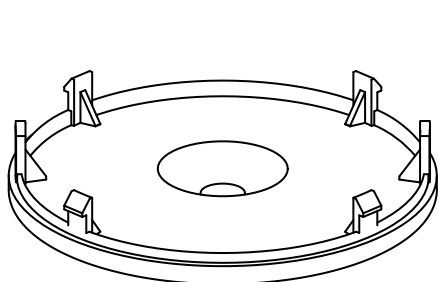
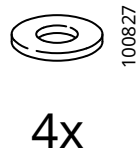
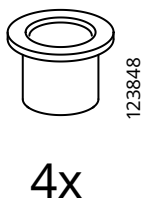
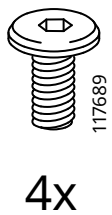
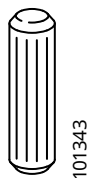
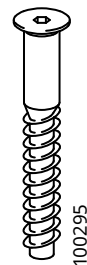
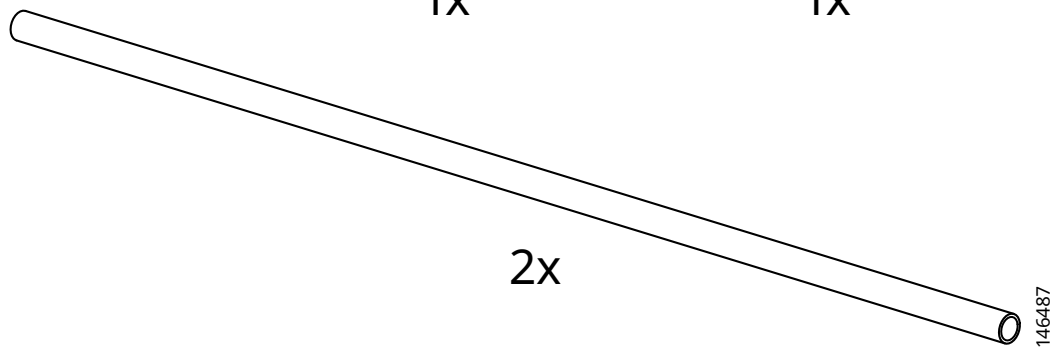
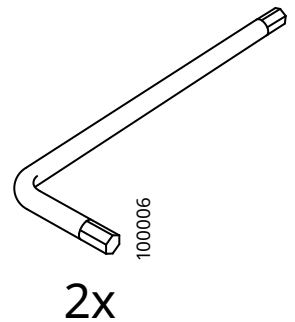
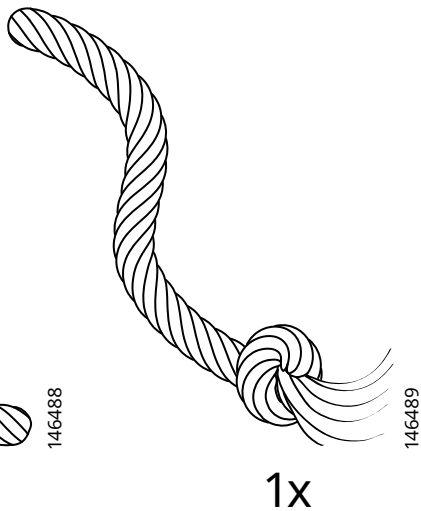
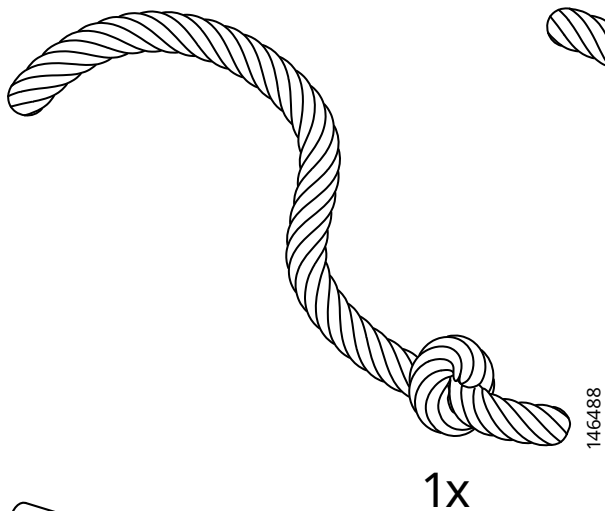
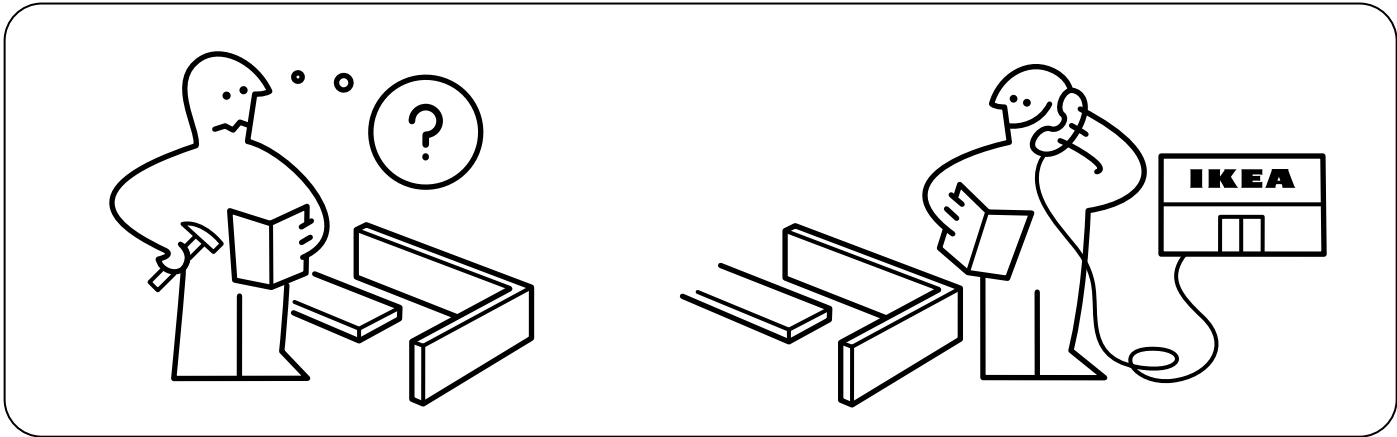
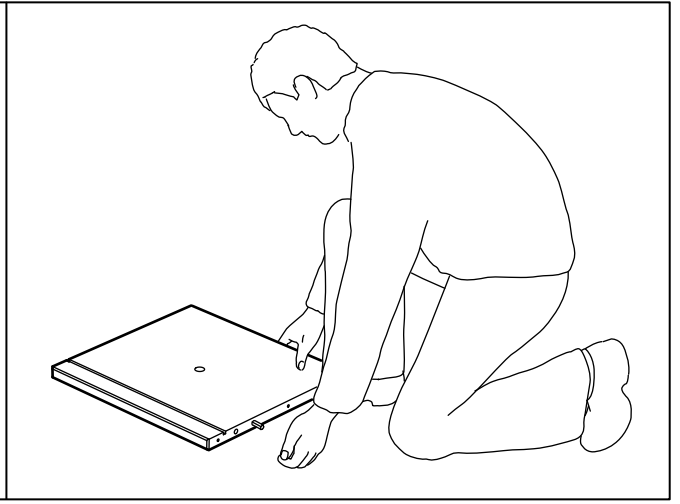
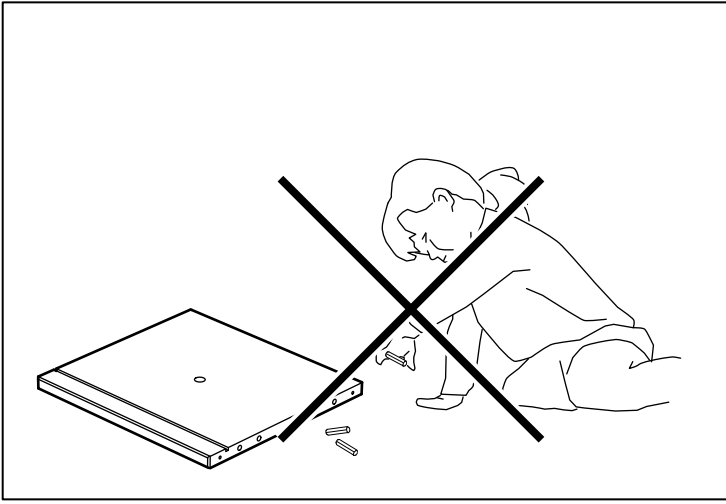


# FLISAT

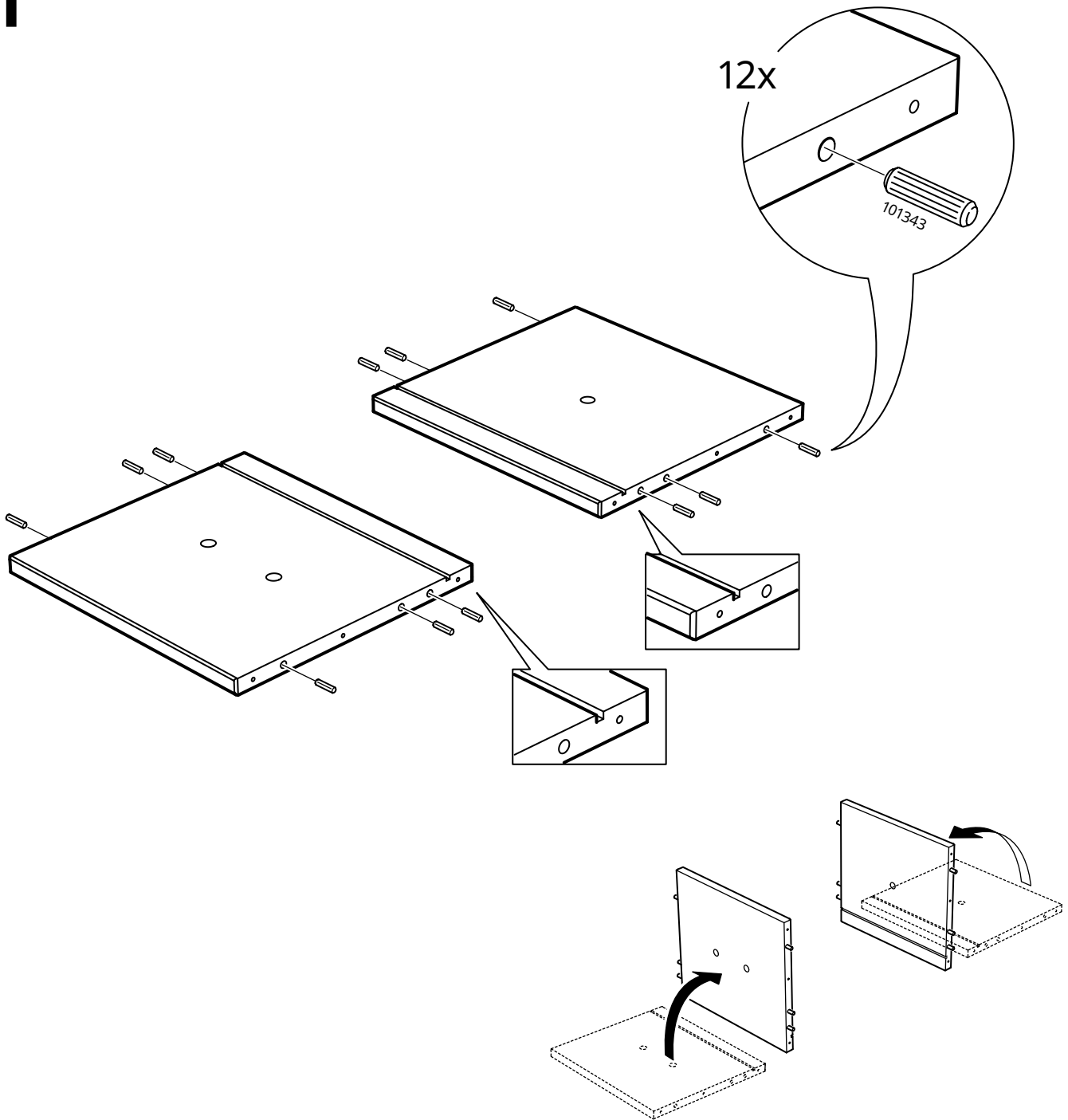


Design and Quality  
IKEA of Sweden

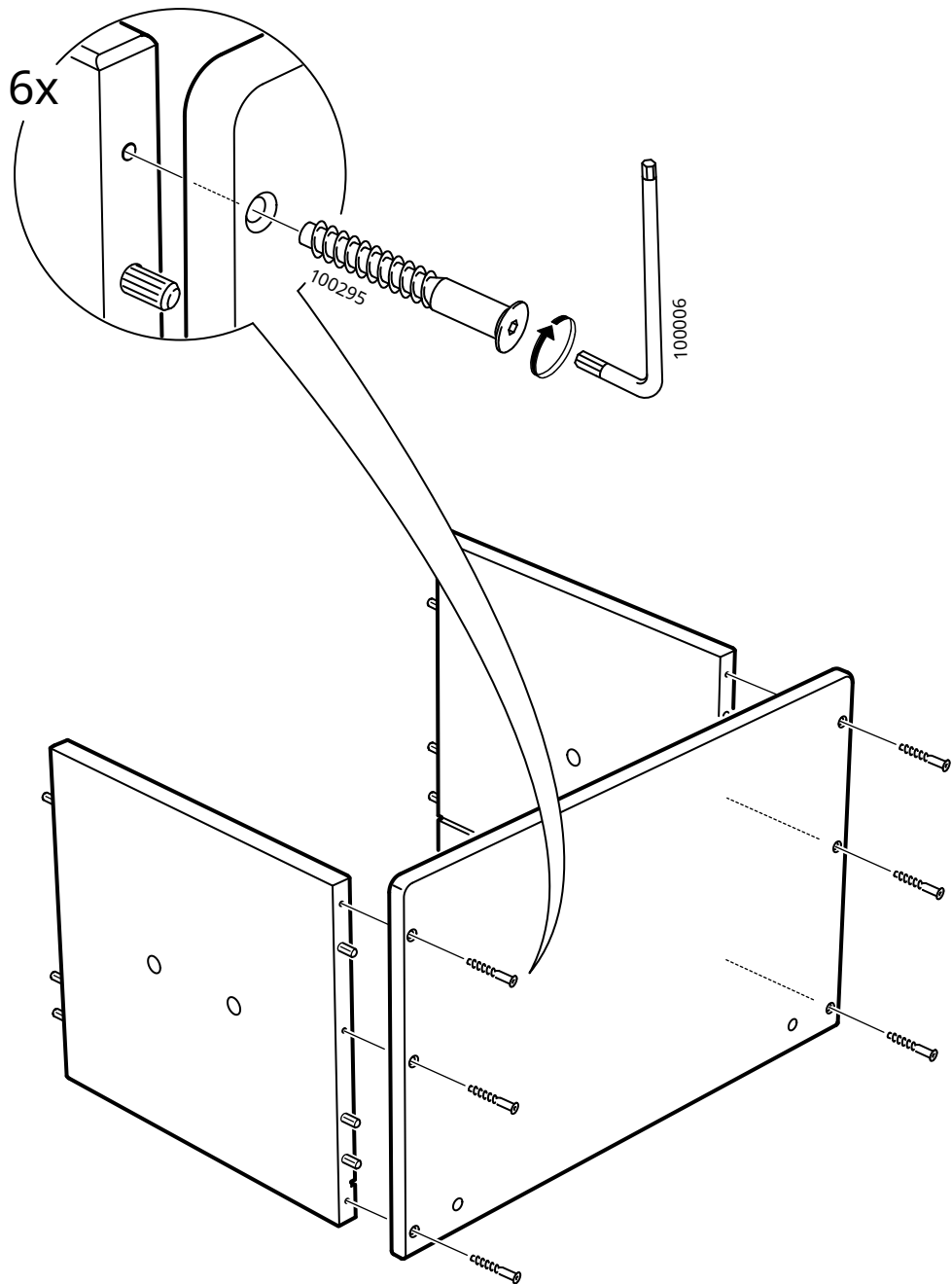
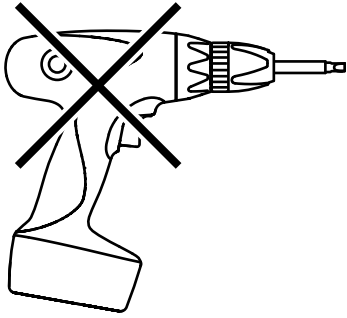


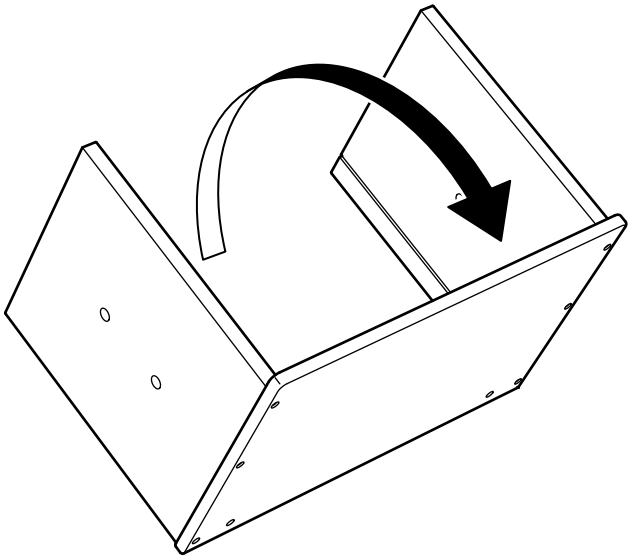


1

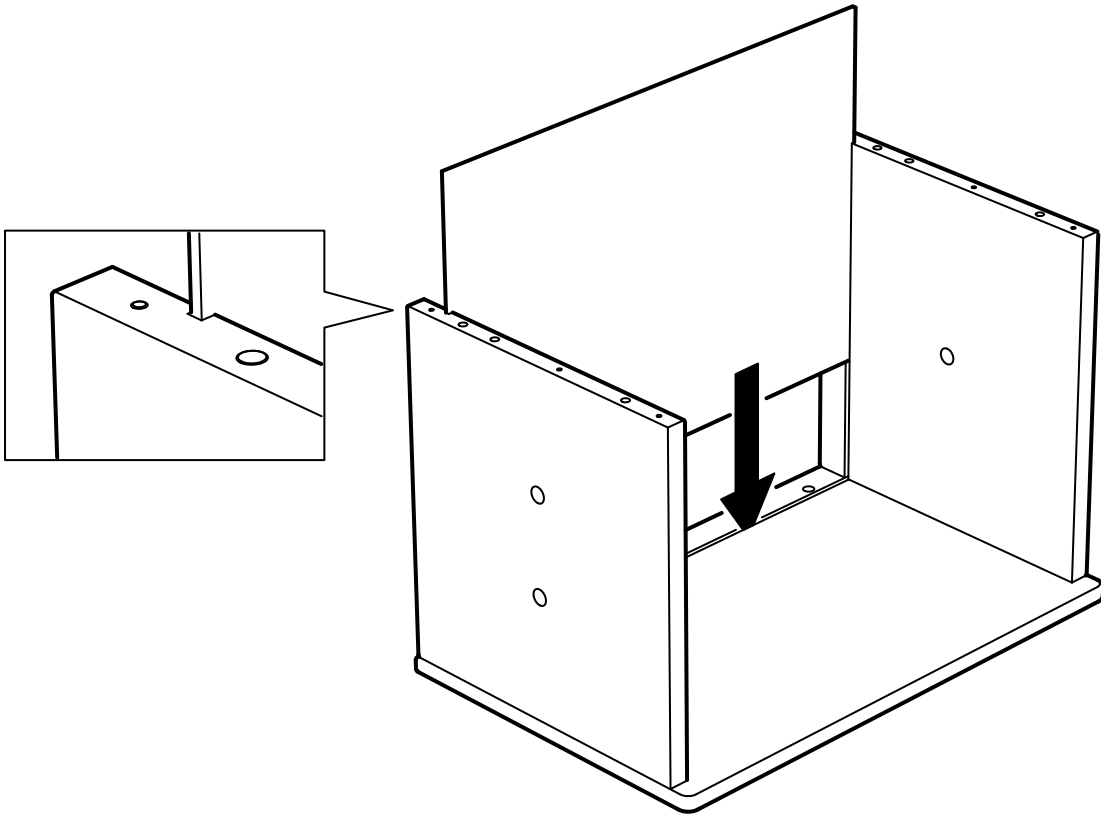


2

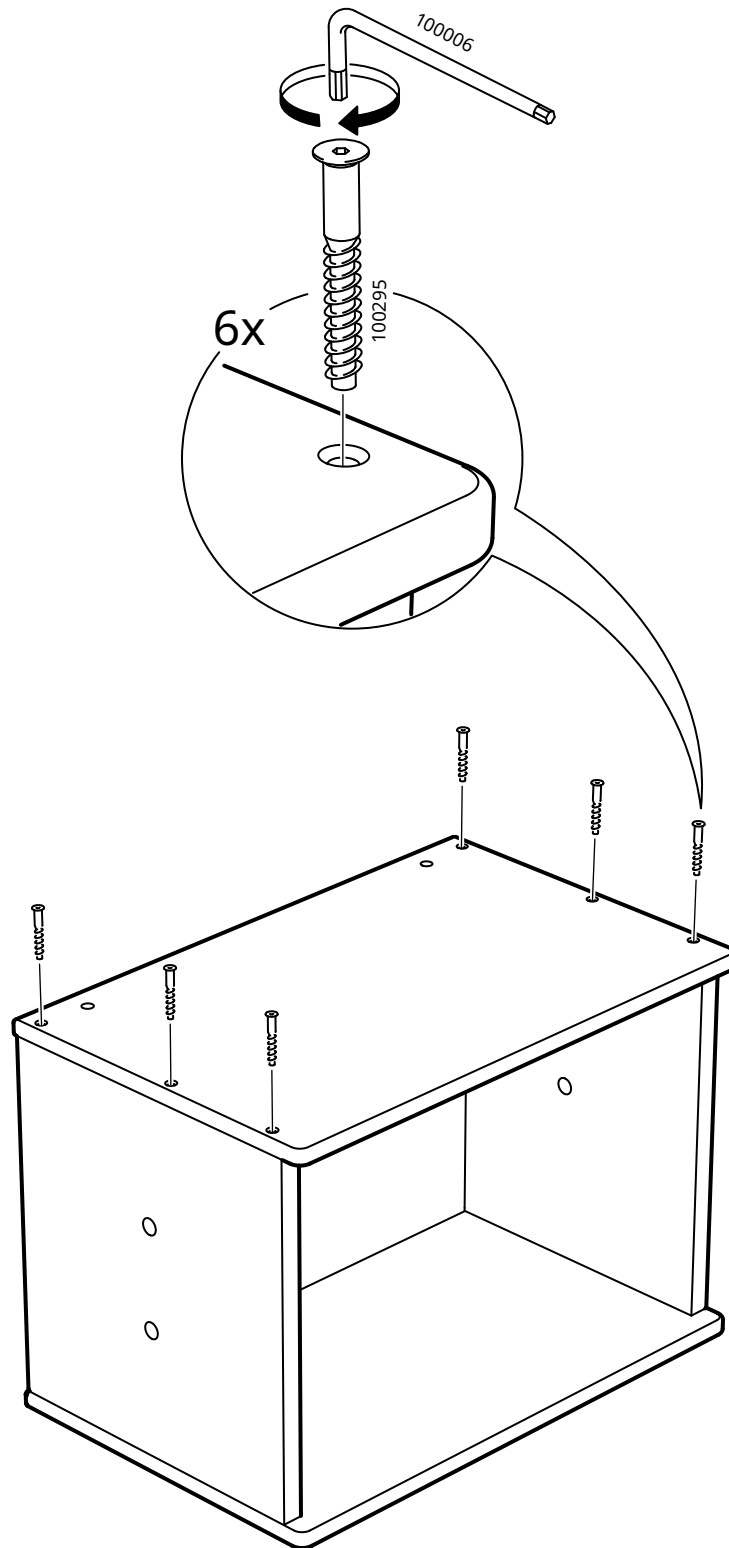


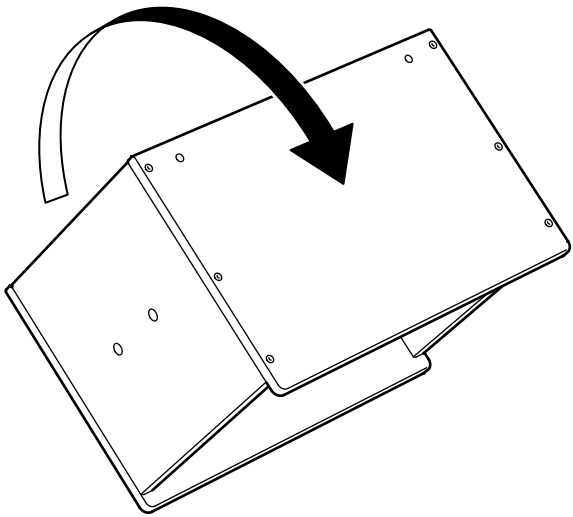


**3**

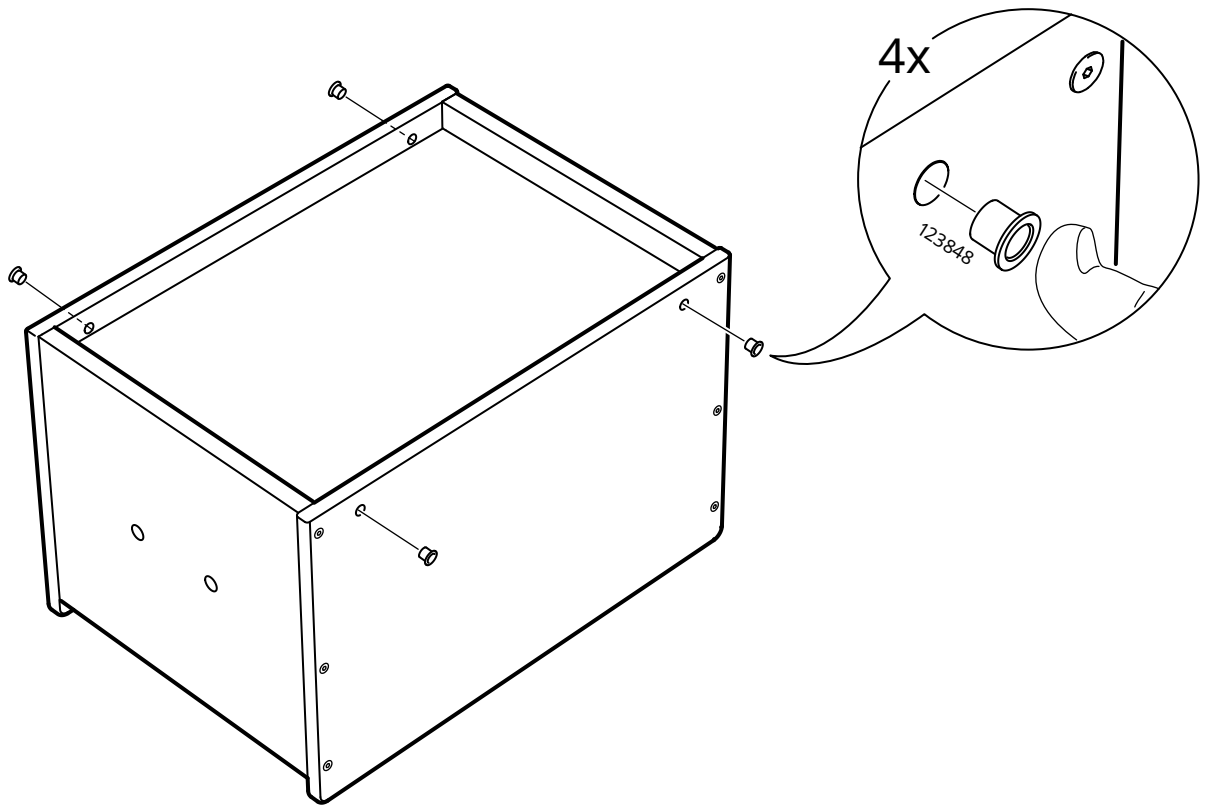


4

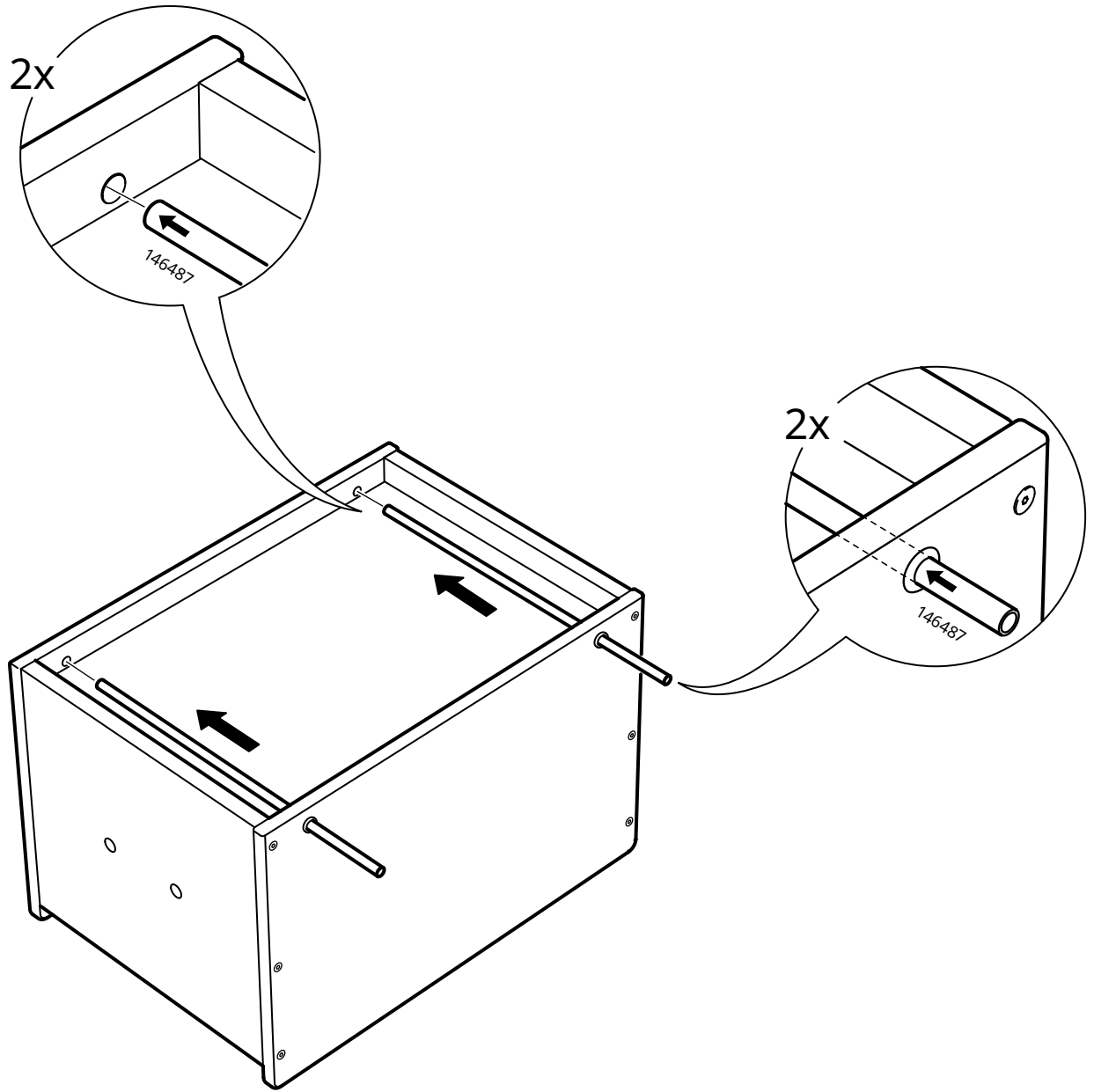




**5**

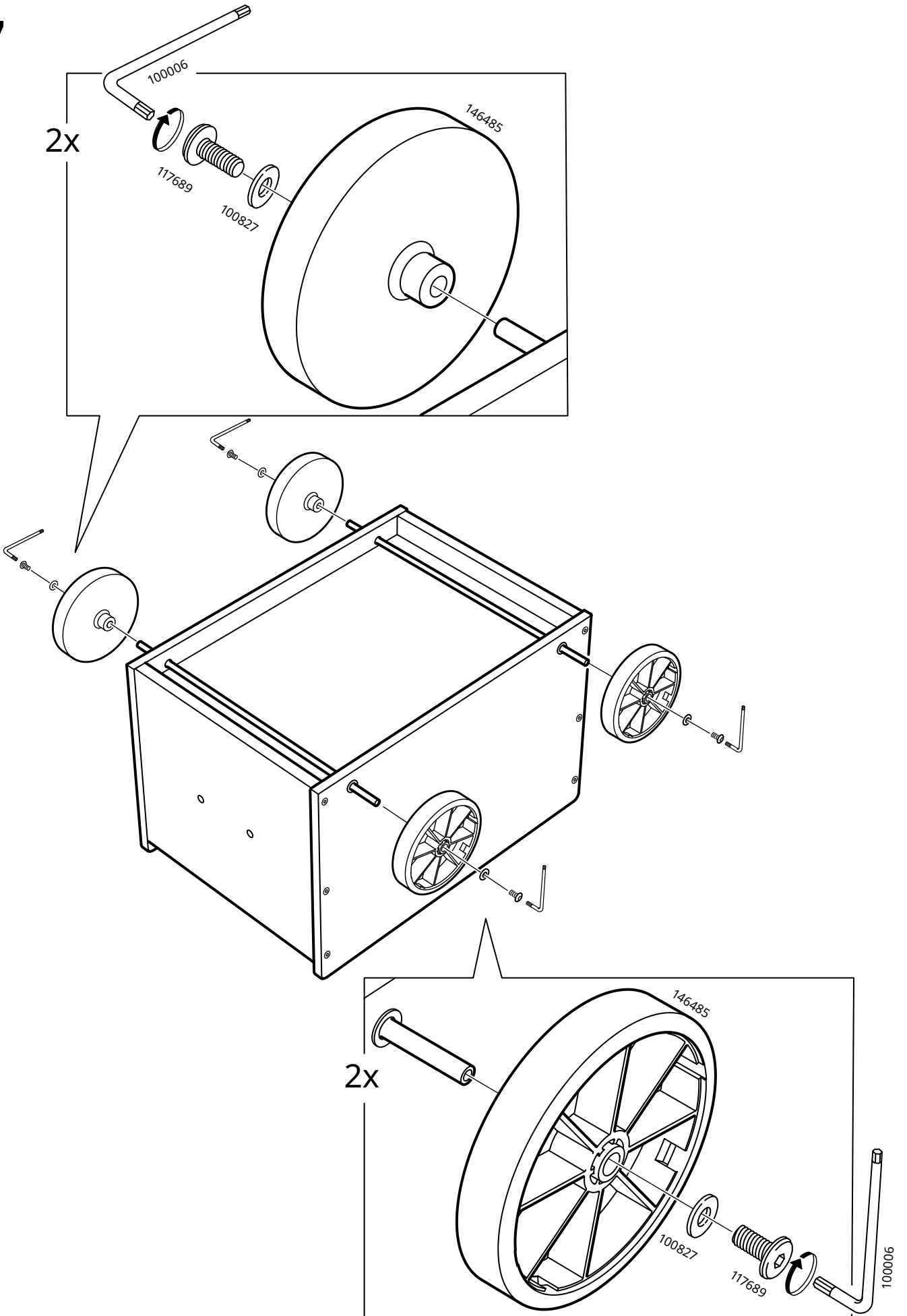


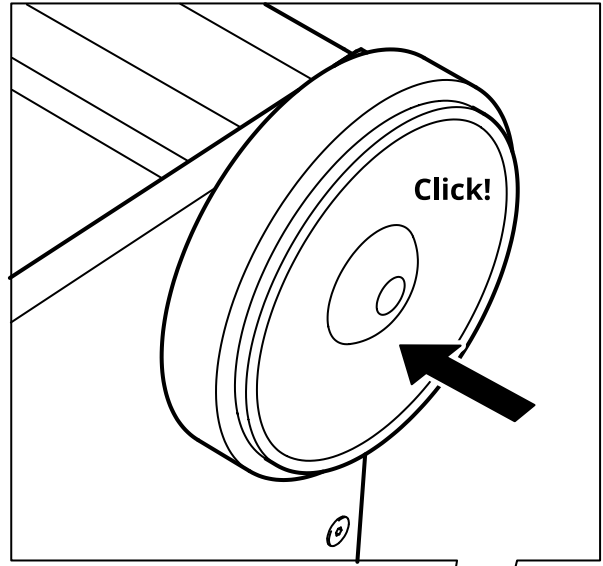
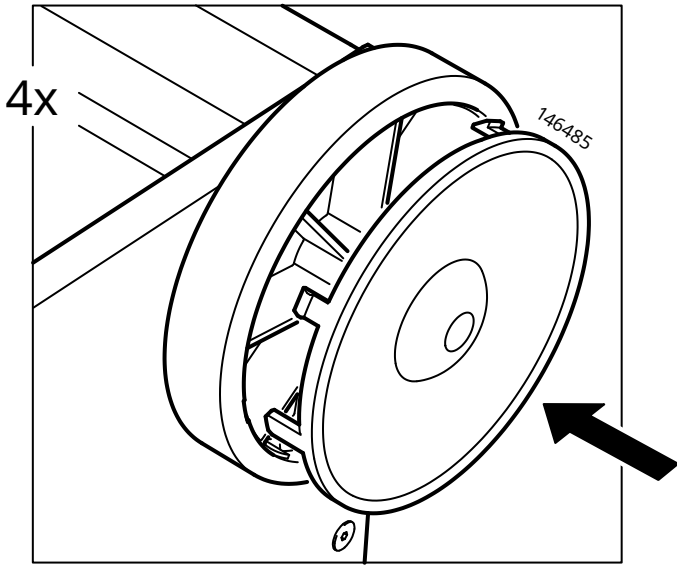
# 6



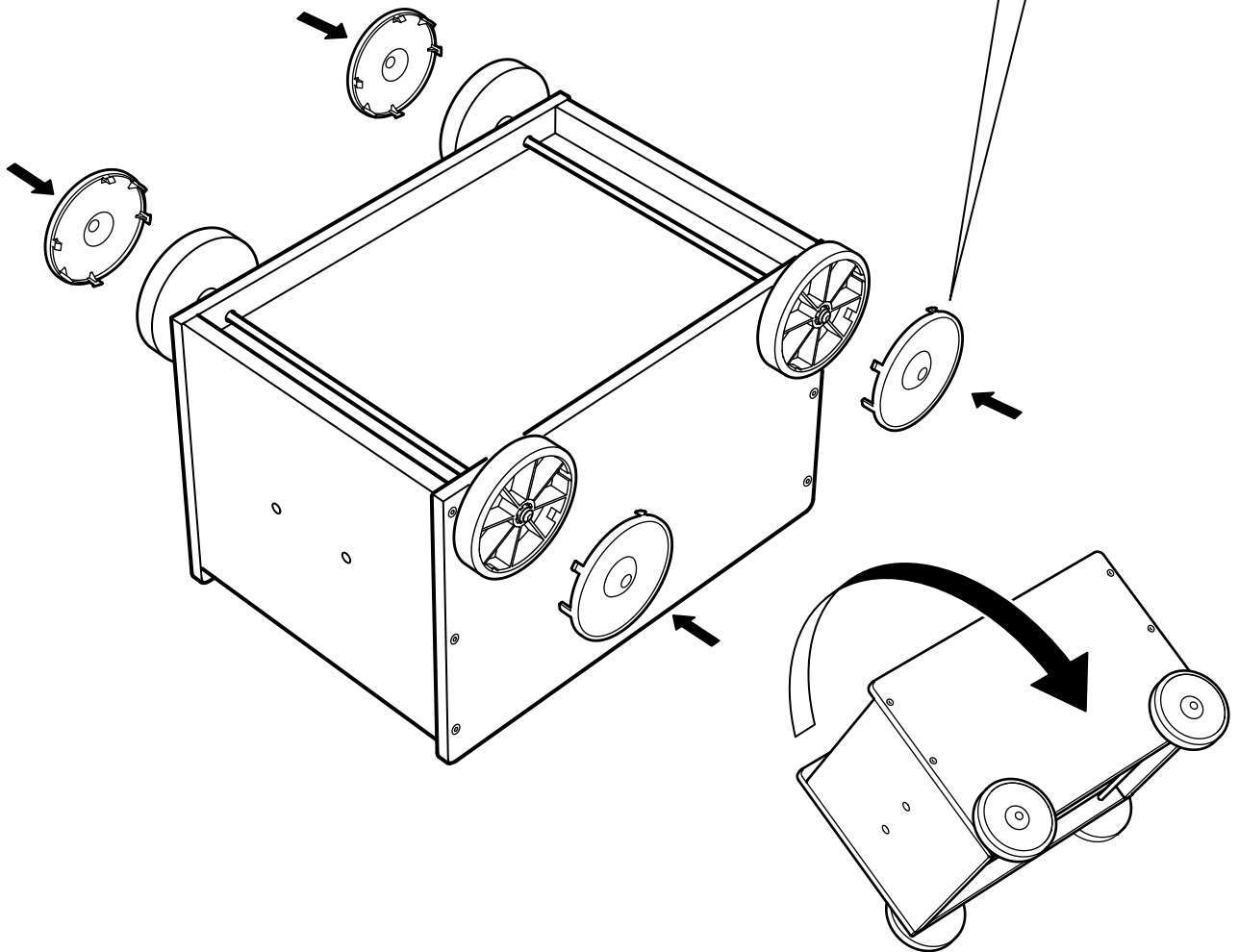


7

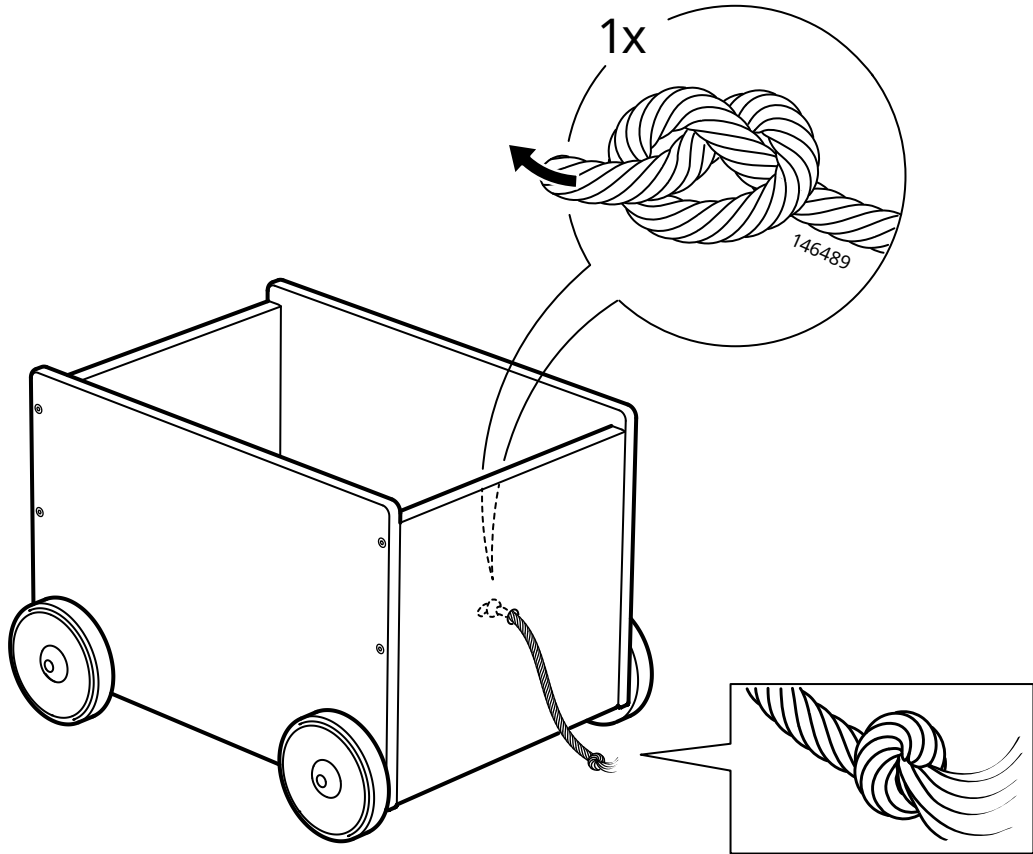




8



9



10

