

ENGLISH

1. SAFETY INFORMATION	GB- 4
2. PRODUCT DESCRIPTION	GB- 9
3. CONTROL PANEL	GB-10
4. TROUBLE SHOOTING	GB-11
5. SPECIFICATIONS	GB-11
6. INSTALLATION AND CONNECTION	GB-12
7. ENVIRONMENTAL CONCERNS	GB-12
8. IKEA WARRANTY	GB-13

ENGLISH

Read these instructions carefully before using your microwave oven, and keep it carefully.

If you follow the instructions, your oven will provide you with many years of good service.

**SAVE THESE
INSTRUCTIONS
CAREFULLY**

1. SAFETY INFORMATION



PRECAUTIONS TO AVOID POSSIBLE EXPOSURE TO EXCESSIVE MICROWAVE ENERGY

- a) Do not attempt to operate this oven with the door open since this can result in harmful exposure to microwave energy. It is important not to break or tamper with the safety interlocks.
- b) Do not place any object between the oven front face and the door or allow soil or cleaner residue to accumulate on sealing surfaces.
- c) **WARNING:** If the door or door seals are damaged, the oven must not be operated until it has been repaired by a competent person.

ADDENDUM

If the apparatus is not maintained in a good state of cleanliness, its surface could be degraded and affect the lifespan of the apparatus and lead to a dangerous situation.

IMPORTANT SAFETY INSTRUCTIONS WARNING

To reduce the risk of fire, electric shock, injury to persons or exposure to excessive microwave oven energy when using your appliance, follow basic precautions, including the following:

1. Read and follow the specific: **"PRECAUTIONS TO AVOID POSSIBLE EXPOSURE TO EXCESSIVE MICROWAVE ENERGY"**.
2. This device can be used by children of at least 8 years old and by people with reduced physical, sensory or mental capacities or lacking experience or knowledge, if they are properly supervised or if they were given instructions relating to the safe use of the device and if the risks involved have been understood. Children must not play with the device. Cleaning and maintenance by the user must not be carried out by unsupervised children.
3. Keep the appliance and its cord out of reach of children less than 8 years.

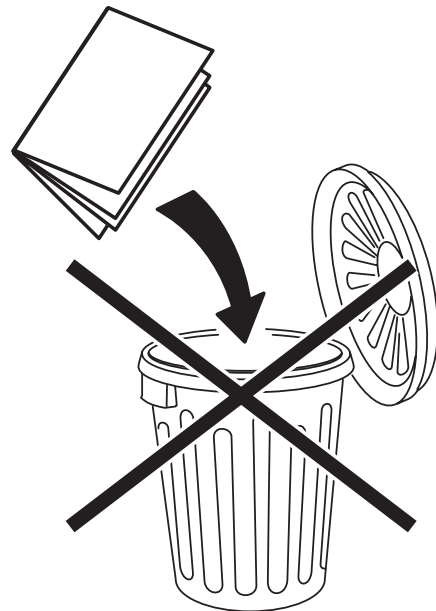
ENGLISH

4. If the supply cord is damaged, it must be replaced by the manufacturer, its service agent or similarly qualified persons in order to avoid a hazard.
5. **WARNING:** It is hazardous for anyone other than a competent person to carry out any service or repair operation that involves the removal of a cover which gives protection against exposure to microwave energy.
6. Heating beverages by microwaves can cause a sudden, delayed burst of boiling liquid.
7. When heating food in plastic or paper containers, keep an eye on the oven due to the possibility of ignition.
8. Only use utensils that are suitable for use in microwave ovens.
9. If smoke is emitted, switch off or unplug the appliance and keep the door closed in order to stifle any flames.
10. Microwave heating of beverages can result in delayed eruptive boiling, therefore care must be taken when handling the container.
11. The contents of feeding bottles and baby food jars shall be stirred or shaken and the temperature checked before consumption, in order to avoid burns.
12. Eggs in their shell and whole hard-boiled eggs should not be heated in microwave ovens since they may explode, even after microwave heating has ended.
13. The oven should be cleaned regularly and any food deposits removed.
14. Failure to maintain the oven in a clean condition could lead to deterioration of the surface that could adversely affect the life of the appliance and possibly result in a hazardous situation.
15. The appliance must not be installed behind a decorative door in order to avoid overheating.
16. The microwave oven must be operated with any cabinet door open.
17. This appliance is intended to be used in household and similar applications such as:

ENGLISH

- staff kitchen areas in shops, offices and other working environments;
 - by clients in hotels, motels and other residential type environments;
 - farm houses;
 - bed and breakfast type environments.
18. The microwave oven is intended for heating food and beverages. Drying of food or clothing and heating of warming pads, slippers, sponges, damp cloth and similar may lead to risk of injury, ignition or fire.
19. Metallic containers for food and beverages are not allowed during microwave cooking.
20. The appliance shall not be cleaned with a steam cleaner.
21. The appliance is intended to be used freestanding or in a cabinet.
22. The rear surface of appliances shall be placed against a wall.
23. This appliance is for household and indoor use only. Don't use it outdoors!
24. To protect against electric shock, do not immerse main parts of the product, cord or plug in water or other liquids.
25. **WARNING:** Liquids and other foods must not be heated in sealed containers since they are liable to explode.

READ CAREFULLY AND KEEP FOR FUTURE REFERENCE.



ENGLISH

TO REDUCE THE RISK OF INJURY TO PERSONS GROUNDING INSTALLATION

DANGER

Electric Shock Hazard

Touching some of the internal components can cause serious personal injury or death. Do not disassemble this appliance.

WARNING

Electric Shock Hazard

Improper use of the grounding can result in electric shock. Do not plug into an outlet until appliance is properly installed and grounded.

This appliance must be grounded. In the event of an electrical short circuit, grounding reduces the risk of electric shock by providing an escape wire for the electric current. This appliance is equipped with a cord having a grounding wire with a grounding plug. The plug must be plugged into an outlet that is properly installed and grounded.

Consult a qualified electrician or serviceman if the grounding instructions are not completely understood or if doubt exists as to whether the appliance is properly grounded. If it is necessary to use an extension cord, use only a 3-wire extension cord.

1. A short power-supply cord is provided to reduce the risks resulting from becoming entangled in or tripping over a longer cord.
2. If a long cord set or extension cord is used:
 - a) The marked electrical rating of the cord set or extension cord should be at least as great as the electrical rating of the appliance.
 - b) The extension cord must be a grounding-type 3-wire cord.
 - c) The long cord should be arranged so that it will not drape over the counter top or tabletop where it can be pulled on by children or tripped over unintentionally.

CLEANING

Be sure to unplug the appliance from the power supply.

1. Clean the cavity of the oven after using with a slightly damp cloth.
2. Clean the accessories in the usual way in soapy water.
3. The door frame and seal and

neighbouring parts must be cleaned carefully with a damp cloth when they are dirty.

4. Do not use harsh abrasive cleaners or sharp metal scrapers to clean the oven door glass since they can scratch the surface, which may result in shattering of the glass.
5. *Cleaning Tip* ★ For easier cleaning of the cavity walls that the food cooked can touch: Place half a lemon in a bowl, add 300ml (1/2 pint) water and heat on 100% microwave power for 10 minutes. Wipe the oven clean using a soft, dry cloth.

UTENSILS

CAUTION

Personal Injury Hazard

It is hazardous for anyone other than a competent person to carry out any service or repair operation that involves the removal of a cover which gives protection against exposure to microwave energy.

See the instructions on "**MATERIALS YOU CAN USE IN MICROWAVE OVEN OR TO BE AVOIDED IN MICROWAVE OVEN.**"

There may be certain non-metallic utensils that are not safe to use for microwaving. If in doubt, you can test the utensil in question following the procedure below.

Utensil Test:

1. Fill a microwave-safe container with 1 cup of cold water (250ml) along with the utensil in question.
2. Cook on maximum power for 1 minute.
3. Carefully feel the utensil. If the empty utensil is warm, do not use it for microwave cooking.
4. Do not exceed 1 minute cooking time.

ENGLISH

MATERIALS YOU CAN USE IN MICROWAVE OVEN

Utensils	Remarks
Browning dish	Follow manufacturer's instructions. The bottom of browning dish must be at least 3/16 inch (5mm) above the turntable. Incorrect usage may cause the turntable to break.
Dinnerware	Microwave-safe only. Follow manufacturer's instructions. Do not use cracked or chipped dishes.
Glass jars	Always remove lid. Use only to heat food until just warm. Most glass jars are not heat resistant and may break.
Glassware	Heat-resistant oven glassware only. Make sure there is no metallic trim. Do not use cracked or chipped dishes.
Oven cooking bags	Follow manufacturer's instructions. Do not close with metal tie. Make slits to allow steam to escape.
Paper plates and cups	Use for short-term cooking/warming only. Do not leave oven unattended while cooking.
Paper towels	Use to cover food for reheating and absorbing fat. Use with supervision for a short-term cooking only.
Parchment paper	Use as a cover to prevent splattering or a wrap for steaming.
Plastic	Microwave-safe only. Follow the manufacturer's instructions. Should be labeled "Microwave Safe". Some plastic containers soften, as the food inside gets hot. "Boiling bags" and tightly closed plastic bags should be slit, pierced or vented as directed by package.
Plastic wrap	Microwave-safe only. Use to cover food during cooking to retain moisture. Do not allow plastic wrap to touch food.
Thermometers	Microwave-safe only (meat and candy thermometers).
Wax paper	Use as a cover to prevent splattering and retain moisture.

MATERIALS TO BE AVOIDED IN MICROWAVE OVEN

Utensils	Remarks
Aluminum tray	May cause arcing. Transfer food into microwave-safe dish.
Food carton with metal handle	May cause arcing. Transfer food into microwave-safe dish.
Metal or metal-trimmed utensils	Metal shields the food from microwave energy. Metal trim may cause arcing.
Metal twist ties	May cause arcing and could cause a fire in the oven.
Paper bags	May cause a fire in the oven.
Plastic foam	Plastic foam may melt or contaminate the liquid inside when exposed to high temperature.
Wood	Wood will dry out when used in the microwave oven and may split or crack.

ENGLISH

2. PRODUCT DESCRIPTION

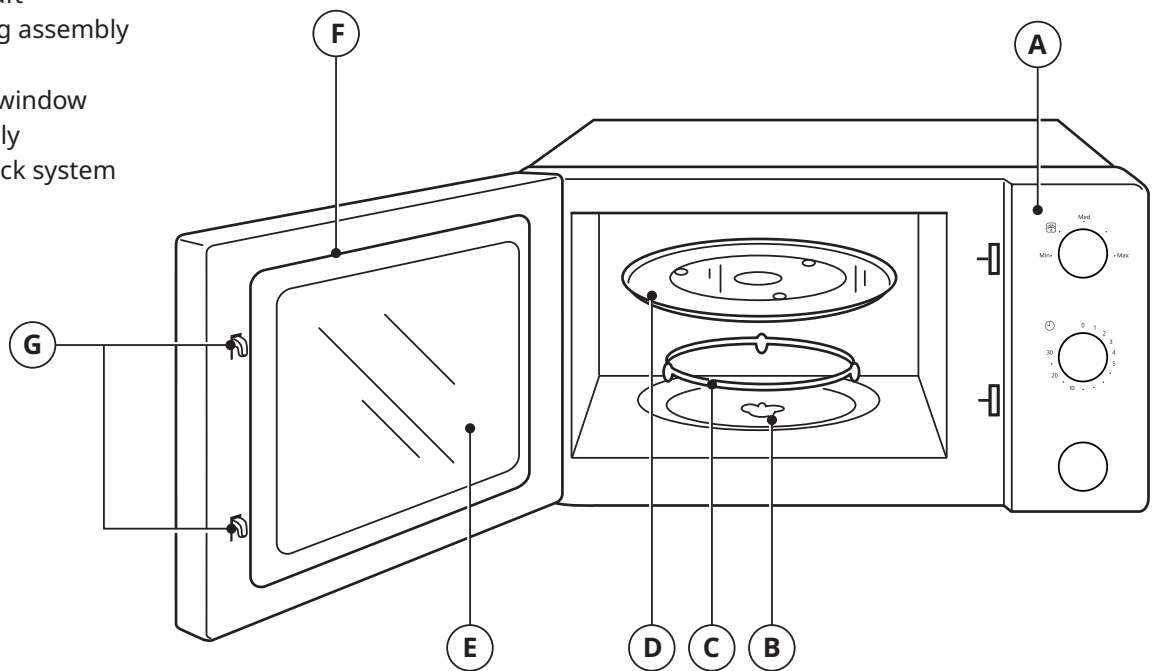
SETTING UP YOUR OVEN

Name of Oven Parts and Accessories

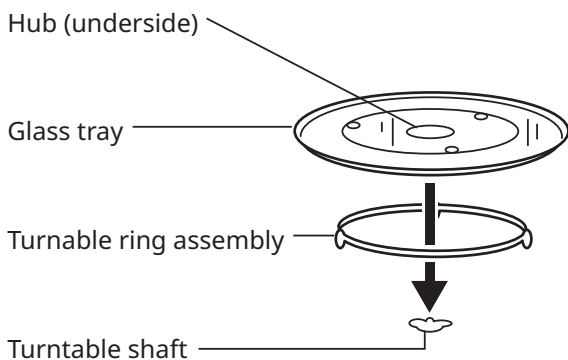
Remove the oven and all materials from the carton and oven cavity. Your oven comes with the following accessories:

Glass tray	1x
Turntable ring assembly	1x
Instruction Manual	1x

- A. Control panel
- B. Turntable shaft
- C. Turntable ring assembly
- D. Glass tray
- E. Observation window
- F. Door assembly
- G. Safety interlock system



Turntable Installation

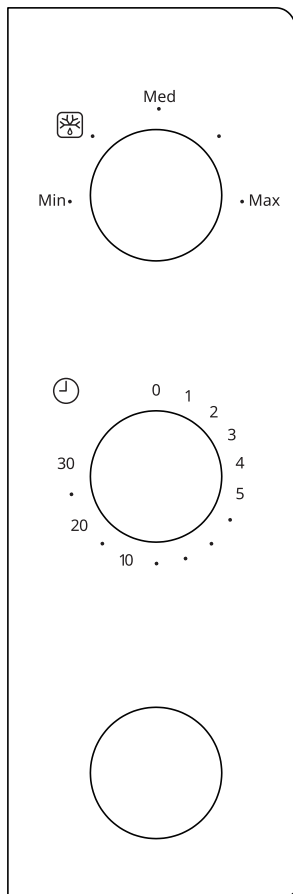


- a) Never place the glass tray upside down. The glass tray should never be restricted.
- b) Both glass tray and turntable ring assembly must always be used during cooking.
- c) All food and containers of food are always placed on the glass tray for cooking.
- d) If glass tray or turntable ring assembly cracks or breaks, contact your nearest authorized service center.


ENGLISH

3. CONTROL PANEL

Control Panel and Features Operation Instructions



1. To set cooking power by turning the power knob to desired level.
2. To set the time of cooking by turning the timer knob to desired time per your food cooking guide.
3. The microwave oven will automatically start cooking after power level and time are set.
4. After the cooking time is up, the unit will “Dong” to stop.
5. If the unit is not in use, always set time to “0”.

Function/Power	Watts	Application
Min	115 W	Soften ice cream
	230 W	Soup stew, soften butter or defrost
Med	390 W	Stew, fish
.	540 W	Rice, fish, chicken, ground meat
Max	700 W	Reheat, milk, boil water, vegetables, beverage

Notice:

When removing food from the oven, please ensure that the oven power is switched off by turning the timer switch to 0 (zero).

Failure to do so, and operating the microwave oven without food in it, can result in overheating and damage to the magnetron.

ENGLISH

4. TROUBLE SHOOTING

Normal	
Microwave oven interfering TV reception	Radio and TV reception may be interfered when microwave oven operating. It is similar to the interference of small electrical appliances, like mixer, vacuum cleaner, electric fan. It is normal.
Dim oven light	In low power microwave cooking, oven light may become dim. It is normal.
Steam accumulating on door, hot air out of vents.	In cooking, steam may come out of food. Most will get out from vents, but some may accumulate on cool place like oven door. It is normal.
Oven started accidentally with no food in.	<i>It is forbidden to run the unit without any food inside. It is very dangerous.</i>

Trouble	Possible cause	Remedy
Oven can not be started.	(1) Power cord not plugged tightly.	Unplug. Then unplug again after 10 seconds.
	(2) Fuse blowing or circuit breaker works.	Replace fuse or reset circuit breaker (repaired by professional personnel of our company)
	(3) Trouble with outlet.	Test outlet with other electrical appliances.
Oven does not heat	(4) Door not closed well.	Close door well.

5. SPECIFICATIONS

Model:	TILLREDA 904.931.11
Rated Voltage:	230-240V~ 50Hz
Rated Input Power(Microwave):	1050W
Rated Output Power(Microwave):	700 W
Oven Capacity:	20 L
Turntable Diameter:	255 mm
External Dimensions:	439.5x340.0x258.2mm
Net Weight:	10.75 kg

6. INSTALLATION AND CONNECTION

Countertop Installation

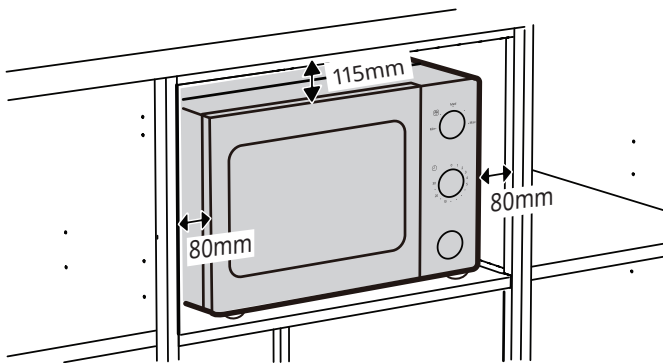
Remove all packing material and accessories. Examine the oven for any damage such as dents or broken door. Do not install if oven is damaged.

Cabinet: Remove any protective film found on the microwave oven cabinet surface.

Do not remove the light brown Mica cover that is attached to the oven cavity to protect the magnetron.

Installation

1. Select a level surface that provide enough open space for the intake and/or outlet vents.



- (1) The rear surface of appliance shall be placed against a wall. Leave a minimum clearance of 11.5 cm above the oven, a minimum clearance of 8 cm is required between the oven and any adjacent walls.
- (2) Do not remove the legs from the bottom of the oven.

- (3) Blocking the intake and/or outlet openings can damage the oven.
- (4) Place the oven as far away from radios and TV as possible. Operation of microwave oven may cause interference to your radio or TV reception.

2. Plug your oven into a standard household outlet. Be sure the voltage and the frequency is the same as the voltage and the frequency on the rating label.

WARNING: Do not install oven over a range cooktop or other heat-producing appliance. If installed near or over a heat source, the oven could be damaged and the warranty would be void.



The accessible surface may be hot during operation.

7. ENVIRONMENTAL CONCERNS



According to Waste of Electrical and Electronic Equipment (WEEE) directive, WEEE should be separately collected and treated. If at any time in future you need to dispose of this product please do NOT dispose of this product with household waste. Please send this product to WEEE collecting points where available.

8. IKEA WARRANTY

How long is the IKEA warranty valid?

This warranty is valid for two (2) years from the original date of purchase of your appliance at IKEA. The original sales receipt, is required as proof of purchase. If service work is carried out under warranty, this will not extend the warranty period for the appliance.

Who will execute the service?

Contact nearest IKEA store.

What does this warranty cover?

The warranty covers faults of the appliance, which have been caused by faulty construction or material faults from the date of purchase from IKEA. This warranty applies to domestic use only. The exceptions are specified under the headline "What is not covered under this warranty?" Within the warranty period, the costs to remedy the fault e.g. repairs, parts, labour and travel will be covered, provided that the appliance is accessible for repair without special expenditure. Replaced parts become the property of IKEA.

What will IKEA do to correct the problem?

IKEA will examine the product and decide, at its sole discretion, if it is covered under this warranty. If considered covered, IKEA will then, at its sole discretion, either repair the defective product or replace it with the same or a comparable product.

What is not covered under this warranty?

- Normal wear and tear.
- Deliberate or negligent damage, damage caused by failure to observe operating instructions, incorrect installation or by connection to the wrong voltage, damage caused by chemical or electrochemical reaction, rust, corrosion or water damage including but not limited to damage caused by excessive lime in the water supply, damage caused by abnormal environmental conditions.
- Consumable parts including batteries and lamps.
- Non-functional and decorative parts which do not affect normal use of the appliance, including any scratches and possible colour differences.
- Accidental damage caused by foreign objects or substances and cleaning or unblocking of filters, drainage systems or soap drawers.
- Damage to the following parts: ceramic glass, accessories, crockery and cutlery baskets, feed and drainage pipes, seals, lamps and lamp covers,

screens, knobs, casings and parts of casings. Unless such damages can be proved to have been caused by production faults.

- Repairs not carried out by our appointed service providers and/or an authorized service contractual partner or where non-original parts have been used.
- Repairs caused by installation which is faulty or not according to specification.
- The use of the appliance in a non-domestic environment i.e. professional use.
- Transportation damages. If a customer transports the product to his home or another address, IKEA is not liable for any damage that may occur during transport. However, if IKEA delivers the product to the customer's delivery address, then damage to the product that occurs during this delivery will be covered by IKEA.
- Cost for carrying out the initial installation of the IKEA appliance. However, if an IKEA appointed Service Provider or its authorized service partner repairs or replaces the appliance under the terms of this warranty, the appointed Service Provider or its authorized service partner will reinstall the repaired appliance or install the replacement, if necessary.

How country law applies

The IKEA warranty gives you specific legal rights, which cover or exceed all the local legal demands. However these conditions do not limit in any way consumer rights described in the local legislation.

Area of validity

This warranty is valid only in the country where the product has been purchased; the services will be provided in the framework of the warranty conditions. An obligation to carry out services in the framework of the warranty exists only if the appliance complies and is installed in accordance with:

- the technical specifications of the country in which the warranty claim is made;
- the Assembly Instructions and User Manual Safety Information.

AFTER SALES for IKEA appliances

Please don't hesitate to contact IKEA to:

- make a service request under this warranty.
- ask for clarification on functions of IKEA appliances.

To ensure that we provide you with the best assistance, please read carefully the Assembly Instructions and/or the User Manual before contacting us.

ENGLISH

How to reach us if you need our service



The IKEA after sales customer service centre will assist you on the phone with basic trouble shooting for your appliance at the time of service call request. Please see the IKEA catalogue or visit www.ikea.com to find your local store phone number and opening time.

In order to provide you a quicker service, please also always refer to the IKEA article number (8 digit code) placed on the rating plate of your appliance.

SAVE THE SALES RECEIPT!

It is your proof of purchase and required for the warranty to apply. The sales receipt also reports the IKEA name and article number (8 digit code) for each of the appliances you have purchased.

Do you need extra help?

For any additional questions not related to After Sales of your appliances please contact your nearest IKEA store call centre. We recommend you read the appliance documentation carefully before contacting us.

كيف تتواصل معنا إن كنت تحتاج إلى خدماتنا



سوف يساعدك مركز خدمة العميل لما بعد البيع التابع إلى شركة IKEA عبر الهاتف في حل المشكلات الأساسية لجهازك في وقت طلب مكالمة الخدمة. يرجى الاطلاع على كتالوج IKEA أو زيارة موقع www.ikea.com للعثور على رقم هاتف المتجر المحلي القريب منك ووقت العمل.

بغرض تقديم خدمة أسرع لكم، يُرجى دائمًا الرجوع إلى رقم منتج IKEA (كود من 8 أرقام) الموضوع على لوحة تصنيف الجهاز الخاص بك.

حافظ على إيصال المبيعات!

الإيصال هو إثبات الشراء ومطلوب ليسري الضمان. يذكر إيصال المبيعات كذلك اسم منتج IKEA ورقم المنتج (كود من 8 أرقام) لكل جهاز قمت بشرائه.

هل تحتاج إلى مساعدة إضافية؟

لأي أسئلة إضافية غير متصلة بخدمة ما بعد البيع لجهازك، يُرجى الاتصال بأقرب مركز اتصال في متجر IKEA. نوصي أن تقرأ وثائق الجهاز بعناية قبل الاتصال بنا.

8. ضمان IKEA

ما مدة سريان ضمان IKEA؟

هذا الضمان صالح لمدة عامين (2) من تاريخ الشراء الأصلي للجهاز من IKEA. يتعين وجود إيصال المبيعات الأصلي كإثبات للشراء. إن أجريت أعمال الصيانة تحت الضمان، فإن هذا لن يمد فترة الضمان للجهاز.

من يؤدي خدمة الصيانة؟

اتصل بأقرب متجر من متاجر IKEA.

ما الذي يشمل هذا الضمان؟

يغطي الضمان أعطال الجهاز، والتي تسبب فيها عيوب الصناعة أو الخامات من تاريخ الشراء من IKEA. لا يسري هذا الضمان إلا على الاستخدام المنزلي فحسب. توضع الاستثناءات تحت عنوان "ما الذي لا يشمل الضمان؟" في غضون فترة الضمان، فإن تكاليف إصلاح العيوب كالتصليحات وقطع الغيار والعمالة والنقل ستكون مشمولة بالضمان، ولكن بشرط أن يكون الجهاز يمكن الوصول إليه لإصلاحه دون مصروفات خاصة. تصبح القطع المستبدلة ملكاً لشركة IKEA.

ما الذي ستتحده شركة IKEA لإصلاح المشكلة؟

تفحص IKEA المنتج وتقرر - على حسب تقديرها وحدها - إن كان مشمولاً بهذا الضمان من عدمه. إن تم اعتباره مشمول بالضمان، فإن IKEA وقتها سوف تختار وفق ما ترغب إما إصلاح المنتج المعيب أو استبداله بنفس المنتج أو منتج يشبهه.

ما الذي لا يشمل هذا الضمان؟

- الإهلاك والاستهلاك العادي.
- التلف المتعمد أو بإهمال، التلف الذي نتج عن التقصير في مراعاة تعليمات التشغيل، أو التركيب غير الصحيح أو بالتوصيل إلى الجهد الخاطئ، والضرر الذي تسبب فيه التفاعل الكيميائي أو الكهروكيميائي، أو الصدأ أو التآكل أو تلف المياه بما في ذلك على سبيل المثال لا يقتصر على التلف الذي يتسبب فيه الجير الزائد في مصدر المياه، أو الضرر الذي تسبب فيه الظروف البيئية غير العادية.
- قطع الغيار المستهلكة بما في ذلك البطاريات واللمبات.
- الأجزاء غير الوظيفية وقطع الزينة والتي لا تؤثر على الاستخدام العادي للجهاز بما في ذلك أي خدوش وفروق اللون المحتملة.
- الضرر العارض الذي تتسبب فيه الأجسام الغريبة أو المواد والتنظيف أو فتح الفلاتر أو أنظمة الصرف أو أدراج الصابون.

- الضرر الذي يلحق بالأجزاء التالية: السيراميك الزجاجي والملحقات والأواني الفخارية وأدوات المائدة والسلال وأنايب التغذية والصرف الصحي والأختام، ومصابيح وأغطية المصابيح والشاشات والمقايض والأغلفة وأجزاء الأغلفة. ما لم يمكن إثبات أن هذه الأضرار قد تسبب فيها عيوب المنتج.
- الإصلاحات التي أجريت من مقدمي خدمات الصيانة المحددين من جانبنا و/أو شريك تعاقدي معتمد لأداء الصيانة أو إن استخدمت أجزاء غير أصلية.
- الإصلاحات التي تسبب فيها التركيب المعيب أو الذي تمت دون مراعاة المواصفات.
- استخدام الجهاز في بيئة غير منزلية، أي للاستخدام المهني.
- أضرار النقل. إن نقل العميل المنتج إلى منزله أو عنوان آخر، فإن IKEA غير مسؤولة عن أي أضرار قد تحدث أثناء النقل. مع ذلك، إن سلمت IKEA المنتج إلى العميل على عنوان التسليم، فإن ضرر المنتج الذي يحدث أثناء هذا التسليم تعطيه IKEA .
- تكلفة مباشرة التركيب المبدئي لجهاز IKEA. مع ذلك، إن أجرى الصيانة مقدم خدمة تعينه IKEA أو إن أصلح شريك صيانة معتمد أو استبدل الجهاز بموجب شروط هذا الضمان، فإن مقدم الخدمة المعتمد أو شريك الخدمة المعتمد يعيدان تركيب الجهاز الذي تم إصلاحه أو تركيب البديل، إن لزم الأمر.

كيف يسري قانون الدولة

يعطيك ضمان IKEA حقوقاً قانونية محددة، الذي يغطي أو يتعدى جميع المتطلبات القانونية المحلية. مع ذلك، فإن هذه الشروط لا تقيد بأي حال حقوق المستهلك المبنية في التشريعات المحلية.

منطقة السريان

- بالنسبة إلى الأجهزة التي يتم شراؤها في إحدى دول الاتحاد الأوروبي وتؤخذ في دولة أخرى في الاتحاد الأوروبي، تقدم الخدمات في إطار من شروط الضمان العادية في دولة جديدة. لن يقع التزام لمباشرة الخدمات في إطار الضمان إلا إن تطابق الجهاز وتم تركيبه وفقاً لـ:
- المواصفات الفنية للدولة التي تم تقديم مطالبة الضمان فيها؛
- تعليمات التجميع ومعلومات السلامة في دليل المستخدم.

خدمة ما بعد البيع لأجهزة IKEA

- يُرجى عدم التردد في الاتصال بشركة IKEA من أجل:
 - لتقديم طلب خدمة مشمولة بهذا الضمان؛
 - طلب التوضيح بشأن وطائف أجهزة IKEA.
- لضمان أن نزودك بأفضل مساعدة، يُرجى قراءة تعليمات التجميع بعناية و/أو دليل المستخدم قبل الاتصال بنا.

6. التركيب والتوصيل

التركيب على سطح المنضدة

قم بإزالة كل مواد التغليف والملحقات. تفحص الفرن من أي تلف مثل نتوءات أو باب مكسور. لا تقم بالتركيب إذا كان الفرن تالفًا.

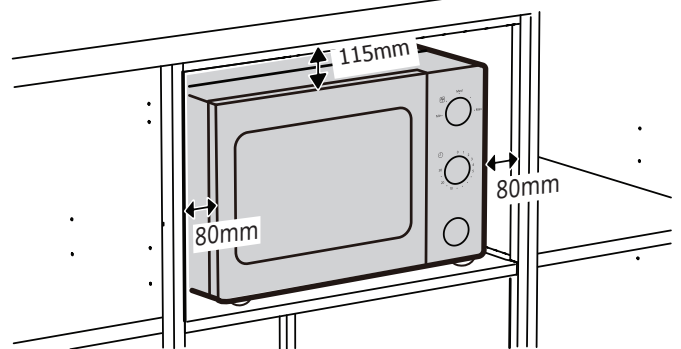
الخزانة: قم بإزالة أي طبقة واقية

موجودة على سطح خزانة فرن الميكروويف.

لا تقم بإزالة غطاء الميكا البني الفاتح المتصل بتجويف الفرن لحماية المغنيترون.

التركيب

1. اختر سطحًا مستويًا يوفر مساحة مفتوحة كافية لفتحات تهوية المدخل والمخرج أو أي منها.



(1) يجب وضع السطح الخلفي

للجهاز مستندًا إلى حائط. اترك مسافة بحد أدنى 11.5 سم فوق الفرن ومساحة بحد أدنى 8 سم بين الفرن وأي حوائط مجاورة.

(2) لا تقم بإزالة القوائم من أسفل الفرن.

(3) يمكن أن يؤدي سد فتحات تهوية المدخل والمخرج أو أي منها إلى تلف الفرن.

(4) ضع الفرن بعيدًا قدر الإمكان عن أجهزة المذياع والتلفاز. قد يؤدي تشغيل فرن الميكروويف إلى تداخل استقبال المذياع أو التلفاز.

2. وصل الفرن بأخذ تيار منزلي قياسي. تأكد من أن الجهد والتردد هما نفسهما الجهد والتردد على ملصق التصنيف.

تحذير: لا تركيب الفرن فوق سطح طهي الموقد أو أي جهاز مولد للحرارة آخر. إذا تم تركيبه بالقرب من مصدر حرارة أو فوقه، فيمكن أن يتلف الفرن ويصبح الضمان ملغى.



قد يكون السطح القابل للوصول ساخنًا أثناء التشغيل.

7. المخاوف البيئية

وفقًا لتوجيه نفايات المعدات الكهربائية والإلكترونية (WEEE)، يجب جمع ومعالجة نفايات المعدات الكهربائية والإلكترونية بشكل منفصل. وإذا احتجت في أي وقت في المستقبل إلى التخلص من هذا المنتج، فيرجى عدم التخلص من هذا المنتج في النفايات المنزلية. يرجى إرسال هذا المنتج إلى نقاط جمع WEEE عند توفرها.



4. استكشاف الأخطاء وإصلاحها

حالة عادية	
يتداخل فرن الميكروويف مع استقبال التلفزيون	قد يتدخل استقبال الراديو والتلفزيون عند تشغيل فرن الميكروويف. ويشبه ذلك تداخل الأجهزة الكهربائية الصغيرة، مثل الخلاط، المكنسة الكهربائية، المروحة الكهربائية. وهذا أمر عادي.
ضوء الفرن خافت	عند الطبخ بميكروويف منخفض القدرة، قد يصبح ضوء الفرن خافتًا. وهذا أمر عادي.
يتراكم البخار على الباب، ويخرج هواء ساخن من فتحات التهوية.	عند الطبخ، قد يخرج البخار من الطعام. وسيخرج معظمه من فتحات التهوية، لكن بعضه قد يتراكم في مكان بارد مثل باب الفرن. وهذا أمر عادي.
تم تشغيل الفرن بطريق الخطأ دون وجود طعام داخله.	ممنوع منعاً باتاً تشغيل الوحدة دون وجود أي طعام داخلها. هذه حالة في غاية الخطورة.

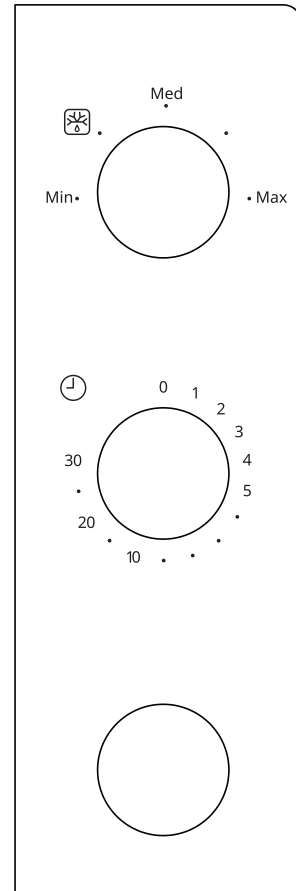
المشكلة	السبب المحتمل	العلاج
لا يمكن تشغيل الفرن.	(1) سلك الكهرباء غير متصل بإحكام.	انزع القابس. ثم قم بتوصيله مرة أخرى بعد 10 ثواني.
	(2) انفجر المنصهر أو قاطع الدارة لا يعمل.	استبدل المنصهر أو أعد ضبط قاطع الدارة (يجب إصلاحه بمعرفة أفراد محترفين من شركتنا)
	(3) مشكلة في منفذ الكهرباء.	اختبر المنفذ بأجهزة كهربائية أخرى.
الفرن لا يسخن	(4) لم يُغلق الباب جيداً.	أغلق الباب جيداً

5. المواصفات

الطراز:	TILLREDA 904.931.11
تصنيف الجهد:	230-240 فولت ~ 50 هرتز
تصنيف قدرة الدخل (الميكروويف):	1050 واط
تصنيف قدرة الخرج (الميكروويف):	700 واط
سعة الفرن:	20 رطلاً
قطر القرص الدوار:	255 مم
الأبعاد الخارجية:	258.2×340.0×439.5 مم
الوزن الصافي:	حوالي 10.75 كجم

3. لوحة التحكم

تعليمات تشغيل لوحة التحكم والميزات



1. لتعيين طاقة الطهي أدر مفتاح الطاقة إلى المستوى المطلوب.
2. لتعيين وقت الطهي أدر مفتاح المؤقت إلى الوقت المطلوب حسب دليل طهي الطعام.
3. سيبدأ فرن الميكروويف تلقائيًا بالطهي بعد تعيين مستوى الطاقة والوقت.
4. عند الوصول إلى وقت الطهي، ستصدر الوحدة "رنينًا" للتوقف.
5. إذا لم تكن الوحدة قيد الاستخدام، فقم بتعيين الوقت على "0" دائمًا.

الوظيفة/ الطاقة	الطاقة بالوات	التطبيق
Min	115 واط	إزالة تجميد الآيس كريم
	230 واط	طهي الشورية على نار هادئة أو إزالة تجميد الزبد أو إزالة التجميد
Med	390 واط	الحساء والسمك
.	540 واط	الأرز والسمك والدجاج واللحم المفروم
Max	700 واط	إعادة التسخين، اللبن والماء المغلي والخضراوات والمشروبات

ملحوظة:

عند إزالة الطعام من الفرن، يُرجى التأكد من إيقاف تشغيل الفرن بإدارة مفتاح المؤقت على 0 (صفر). يمكن أن يؤدي الفشل في القيام بذلك وتشغيل فرن الميكروويف بدون طعام بداخله إلى سخونة المفرطة للمغنيرون وإتلافه.

2. وصف المنتج

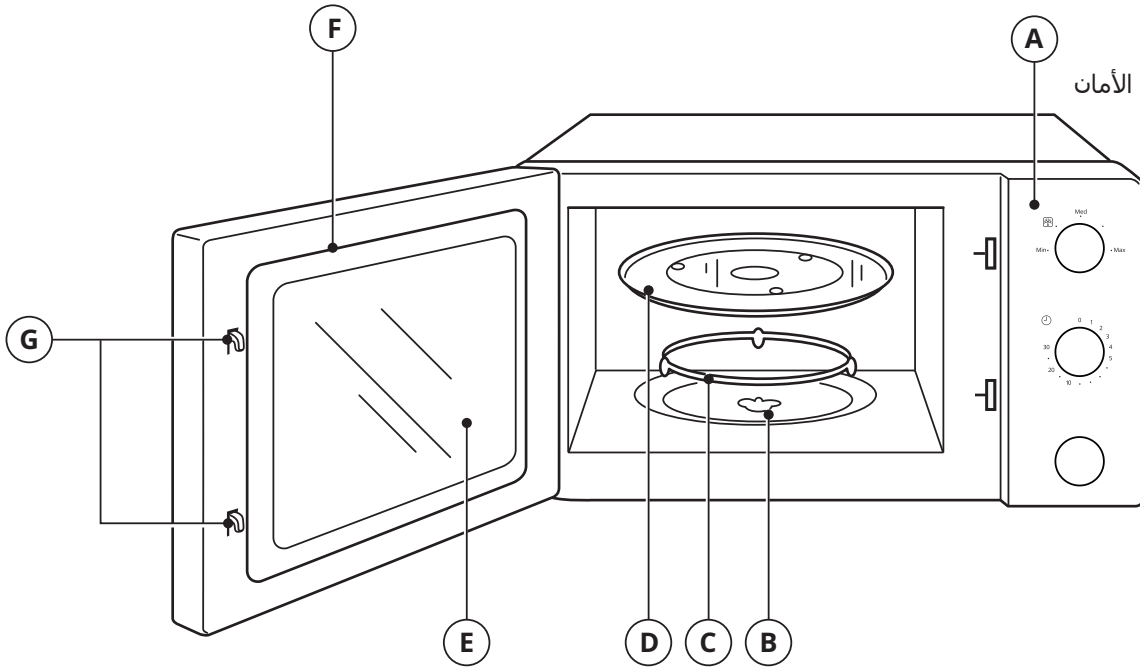
إعداد الفرن

اسم أجزاء وملحقات الفرن

قم بإزالة الفرن وكل المواد من العبوة الكارتونية ومن تجويف الفرن. يأتي الفرن بالملحقات التالية:

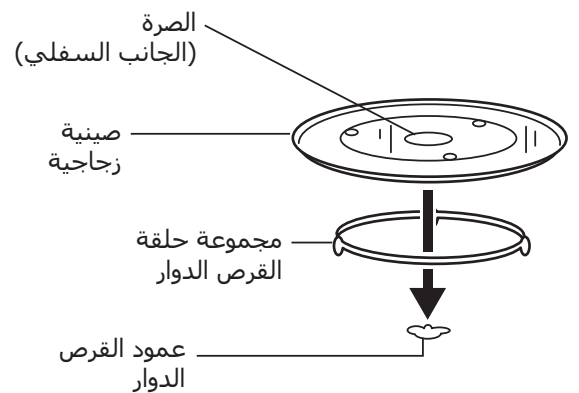
1x	صينية زجاجية
1x	مجموعة الحلقة الدوارة
1x	دليل التعليمات

- (A) لوحة التحكم
 (B) عمود القرص الدوار
 (C) مجموعة الحلقة الدوارة
 (D) صينية زجاجية
 (E) نافذة المراقبة
 (F) مجموعة الباب
 (G) نظام وشائج قفل الأمان



تركيب القرص الدوار

- (a) لا تضع أبداً الصينية الزجاجية مقلوبة. لا يجب أبداً أن تكون الصينية الزجاجية مقيدة.
 (b) يجب دائماً استخدام كل من الصينية الزجاجية مجموعة حلقة القرص الدوار أثناء الطبخ.
 (c) تُوضع جميع المواد الغذائية وأوعية المواد الغذائية على الصينية الزجاجية للطبخ.
 (d) إذا تشققت الصينية الزجاجية أو مجموعة حلقة القرص الدوار أو انكسرت، فاتصل بأقرب مركز خدمة معتمد.



المواد التي يمكنك استخدامها في فرن الميكروويف

الأواني	ملاحظات
طبق التحمير	اتبع تعليمات الشركة المصنعة. يجب أن يكون قاع طبق التحمير على الأقل 16/3 بوصة (5 ملم) فوق القرص الدوار. قد يتسبب الاستخدام غير الصحيح في كسر القرص الدوار.
أواني المائدة	الآمنة للاستخدام في فرن الميكروويف فقط. اتبع تعليمات الشركة المصنعة. لا تستخدم أطباق متشققة أو مكسورة.
البرطمانات الزجاجية	اكشف الغطاء دائماً. لا تستخدمها إلا لتسخين الطعام حتى يصبح دافئاً. معظم البرطمانات الزجاجية ليست مقاومة للحرارة وقد تنكسر.
الأواني الزجاجية	فقط أواني الأفران الزجاجية المقاومة للحرارة. تأكد من عدم وجود زينة معدنية عليها. لا تستخدم أطباق متشققة أو مكسورة.
أكياس طبخ الفرن	اتبع تعليمات الشركة المصنعة. لا تغلقها برباط معدني. اترك شقوق لتسمح بإفلات البخار.
الأطباق والكؤوس الورقية	تستخدم للطبخ / التفتة قصيرة الأجل فقط. لا تترك الفرن بدون رقابة أثناء الطبخ.
المناشف الورقية	تستخدم لتغطية الطعام لإعادة تسخين وامتصاص الدهون. وتستخدم مع المراقبة للطبخ قصير الأجل فقط.
ورق الزبدة	يستخدم كغطاء لمنع الرذاذ أو كغطاء للتبخير.
البلاستيك	الآمنة للاستخدام في فرن الميكروويف فقط. اتبع تعليمات الشركة المصنعة. يجب أن يكون عليها علامة "آمن للاستخدام في فرن الميكروويف". تلتين بعض الأوعية البلاستيكية عندما يصبح الطعام في داخلها ساخناً. "أكياس الغلي" والأكياس البلاستيكية المغلقة بإحكام يجب شقها أو ثقبها أو تنفيسها حسب توجيهات التعبئة.
الغلاف البلاستيكي	الآمنة للاستخدام في فرن الميكروويف فقط. يستخدم لتغطية الطعام أثناء الطبخ للاحتفاظ بالرطوبة. لا تسمح للغلاف البلاستيكي أن يلمس الطعام.
مقاييس الحرارة	الآمنة للاستخدام في فرن الميكروويف فقط (مقاييس حرارة اللحوم والحلوى).
الورق المشمع	استخدمه كغطاء لمنع التناثر واحتجاز الرطوبة.

المواد التي يجب تجنبها في فرن الميكروويف

الأواني	ملاحظات
العلب الألومنيوم	قد تتقوس. انقل الطعام إلى طبق آمن للميكروويف.
كرتونة الأطعمة بمقبض معدني	قد تتقوس. انقل الطعام إلى طبق آمن للميكروويف.
الأواني المعدنية أو ذات الحواف المعدنية	يمنع المعدن الطعام من طاقة الميكروويف. قد تتقوس الزينة المعدنية.
أربطة اللي المعدنية	قد تتقوس ويمكن أن تسبب حريقاً في الفرن.
الأكياس الورقية	قد تسبب حريقاً في الفرن.
الفوم البلاستيكي	قد تذوب أواني الفوم البلاستيكية أو تُلوث السائل بداخلها عند التعرض لدرجة حرارة عالية.
الخشب	سوف يحرق الخشب عند استخدامه في فرن الميكروويف وقد ينفلق أو يتشقق.

لتقليل خطر إصابة الأشخاص أثناء تركيب وصلات التأريض

خطر

خطر الصدمة الكهربائية

يمكن أن يؤدي لمس بعض المكونات الداخلية إلى إصابات جسدية حرجة أو قد يؤدي إلى الموت. لا تفكك أجزاء هذا الجهاز.

تحذير

خطر الصدمة الكهربائية

قد يؤدي الاستخدام غير الصحيح لقابس التأريض إلى صدمة كهربائية. لا تقم بالتوصيل بمنفذ الكهرباء حتى يتم تركيب الجهاز وتأريضه بشكل صحيح.

يجب تأريض هذا الجهاز. في حالة وجود دائرة كهربائية قصيرة، يقلل التأريض من خطر حدوث صدمة كهربائية من خلال توفير سلك هروب للتيار الكهربائي. والجهاز مزود بسلك تأريض مع قابس تأريض. يجب توصيل القابس بمنفذ الكهرباء المثبت والمؤرض بشكل سليم.

استشر فني كهرباء أو عامل صيانة مؤهل إذا لم تكن تعليمات التأريض مفهومة تماماً أو إذا كان هناك شك فيما إذا تم تركيب الجهاز بشكل سليم أم لا. وإذا كان من الضروري استخدام سلك إطالة، فلا تستخدم إلا سلك إطالة مكون من 3 أسلاك.

1. يتم توفير سلك كهرباء قصير لتقليل الأخطار الناتجة عن التشابك أو التعثر في سلك أطول.

2. إذا تم استخدام مجموعة أسلاك طويلة أو سلك إطالة:

(a) يجب أن يكون ملصق المعايرة الكهربائية لمجموعة الأسلاك أو سلك الإطالة على الأقل مساوية للمعايرة الكهربائية للجهاز.

(b) يجب أن يكون سلك الإطالة عبارة عن سلك تأريض مكون من 3 أسلاك.

(c) يجب تنسيق السلك الطويل بحيث لا يثنى فوق سطح الطاولة حيث يمكن أن يعثر به الأطفال أو يتعثروا فيه عن غير قصد.

التنظيف

تأكد من فصل الجهاز من مصدر الكهرباء.

1. نظّف تجويف الفرن بعد الاستخدام بقطعة قماش مبللة قليلاً.

2. نظّف الملحقات بالطريقة المعتادة بالماء والصابون.

3. يجب تنظيف إطار الباب ومانع التسرب والأجزاء المجاورة بعناية بقطعة قماش مبللة عندما تكون قذرة.

4. لا تستخدم منظفات كاشطة قاسية أو مكاشط معدنية حادة لتنظيف زجاج باب الفرن حيث يمكن أن تخدش السطح، مما قد يؤدي إلى كسر الزجاج.

5. نصيحة للتنظيف ★ لسهولة تنظيف جدران التجويف التي يمكن أن يلمسها الطعام المطبوخ: ضع نصف ليمونة في وعاء وقم بإضافة 300 مل (2/1 باينت) من المياه وقم بالتسخين على درجة 100% من طاقة الميكروويف لمدة 10 دقائق. امسح الفرن باستخدام قطعة قماش ناعمة وجافة.

الأواني

تنبيه

خطر الإصابة الجسدية

من الخطر على أي شخص بخلاف الشخص المختص القيام بأي عملية خدمة أو إصلاح تشمل نزع أي غطاء يوفر الحماية من التعرض لطاقة الميكروويف.

انظر التعليمات الواردة في "المواد التي يمكنك استخدامها في فرن الميكروويف أو تجنبها في فرن الميكروويف".

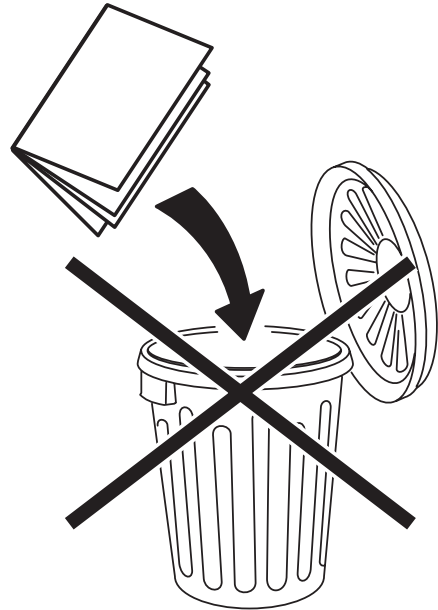
قد يكون هناك بعض الأوعية غير المعدنية غير آمنة للاستخدام في الميكروويف. وإذا كنت في شك، فيمكنك اختبار الإناء محل الشك باتباع الإجراء أدناه.

اختبار الإناء:

1. املأ وعاء آمن للميكروويف بعدد 1 كوب من الماء البارد (250 مل) إلى جانب الإناء محل الشك.
2. سخّنه على القدرة القصوى لمدة 1 دقيقة.
3. تحسس الإناء بحذر. إذا كان الإناء الفارغ دافئاً، فلا تستخدمه في الطبخ بالميكروويف.
4. لا تتجاوز وقت الطبخ لمدة 1 دقيقة.

21. فرن الميكروويف مصمم لتسخين الطعام والمشروبات. قد يؤدي تجفيف الطعام أو الملابس وتسخين وسائل التدفئة والشبشب والإسفننج وقطع القماش المبللة وما شابه ذلك إلى خطر الإصابة، الاشتعال أو الحريق.
22. ممنوع استخدام الأوعية المعدنية للأطعمة والمشروبات أثناء الطبخ بالميكروويف.
23. يجب ألا يتم تنظيف الجهاز باستخدام منظف بخاري.
24. الجهاز مصمم للاستخدام بدون دعامة وفي وضعية قائمة بذاتها.
25. يجب وضع السطح الخلفي للأجهزة مستنداً إلى حائط.

اقرأ بعناية واحفظه للرجوع إليه في المستقبل.



5. **تحذير:** تأكد من إيقاف تشغيل الجهاز قبل استبدال المصباح لتفادي احتمال حدوث صدمة كهربائية.
6. **تحذير:** من الخطر على أي شخص بخلاف الشخص المختص القيام بأي عملية خدمة أو إصلاح تشمل نزع أي غطاء يوفر الحماية من التعرض لطاقة الميكروويف.
7. قد يؤدي تسخين المشروبات في أفران الميكروويف إلى اندفاع متأخر مفاجئ للسائل المغلي.
8. عند تسخين الطعام في أوعية بلاستيكية أو ورقية، يجب مراقبة الفرن بسبب احتمال الاشتعال.
9. لا تستخدم إلا الأوعية المناسبة للاستخدام في أفران الميكروويف.
10. في حالة انبعاث دخان، أوقف تشغيل الجهاز أو افصله من مصدر الكهرباء واجعل الباب مغلقاً لإخماد أي لهب.
11. يمكن أن يؤدي تسخين المشروبات بالميكروويف إلى تأخير فوران الغليان، وبالتالي يجب توخي الحذر عند التعامل مع الوعاء.
12. يجب قلب أو هزّ محتوى زجاجات الرضاعة وأواني طعام الأطفال وفحص درجة الحرارة قبل الاستعمال، وذلك لتفادي الحروق.
13. يجب عدم تسخين البيض في قشرته والبيض الكامل المسلوق.
14. يجب تنظيف الفرن بانتظام وإزالة أي رواسب غذائية.
15. قد يؤدي الفشل في الحفاظ على الفرن في حالة نظيفة إلى تدهور السطح، الأمر الذي قد يؤثر سلباً على عمر الجهاز وربما يؤدي إلى وضع خطر.
16. لا يجب تركيب الجهاز خلف باب مزخرف لتفادي فرط السخونة. (لا ينطبق هذا على الأجهزة المزودة بالأبواب المزخرفة)
17. لا تستخدم إلا مسبار الحرارة الموصى به لهذا الفرن. (للأفران المزودة بوسيلة لاستخدام مسبار استشعار الحرارة.)
18. يجب ألا يوضع فرن الميكروويف في خزانة إلا إذا تم اختباره في خزانة.
19. يجب تشغيل فرن الميكروويف مع فتح الباب الزخرفي. (للأفران ذات الأبواب الزخرفية.)
20. هذا الجهاز مصمم للاستخدام في المنزل والأماكن المشابهة مثل:
 - مساحات مطبخ الموظفين في المحلات والمكاتب وبيئات العمل الأخرى؛
 - من خلال العملاء في الفنادق والاستراحات وبيئات الإقامة الأخرى؛
 - منازل المزارع؛
 - بيئات النوم وتناول الإفطار.

1. معلومات السلامة



احتياطات تفادي التعرض المحتمل لفائض طاقة الميكروويف

(a) لا تحاول تشغيل هذا الفرن والباب مفتوح حيث يمكن أن يؤدي هذا إلى التعرض الضار لطاقة الميكروويف. ومن الأهمية بمكان عدم كسر وشائج قفل الأمان أو العبث بها.

(b) لا تضع أي أجسام بين الواجهة الأمامية للفرن والباب أو تسمح للأتربة أو بقايا المنظفات أن تتراكم على الأسطح المانعة للتسرب.
(c) **تحذير:** في حالة تلف الباب أو موانع تسرب الباب، لا يجب تشغيل الفرن حتى يتم إصلاحه بمعرفة شخص مختص.

الملحق

إذا لم يتم حفظ الجهاز في حالة نظافة جيدة، فقد يتآكل السطح ومن ثم يتأثر العمر الافتراضي للجهاز مما يؤدي إلى الوقوع في وضع حرج.

تحذير تعليمات السلامة الهامة

من أجل تقليل خطر حدوث حريق، صدمة كهربية، إصابة الأشخاص أو التعرض لطاقة فرن الميكروويف المفرطة عند استخدام الجهاز، اتبع الاحتياطات الأساسية، بما في ذلك ما يلي:

1. اقرأ واتبع المواصفة: "احتياطات تفادي التعرض المحتمل لفائض طاقة الميكروويف".

2. يمكن استخدام الجهاز من قبل الأطفال البالغين من العمر 8 سنوات على الأقل أو الأشخاص ذوي القدرات البدنية أو الحسية أو العقلية المحدودة أو قليلي الخبرة أو المعرفة، إذا تم الإشراف عليهم بطريقة صحيحة أو إذا تم إعطاؤهم التعليمات المتعلقة بالاستخدام الآمن للجهاز وإذا ما فهموا المخاطر المتضمنة. يجب ألا يعبث الأطفال بالجهاز. يجب ألا يقوم الأطفال بالتنظيف والصيانة التي يقوم بها المستخدم بدون إشراف.

3. احفظ الجهاز وسلوكه في مكان بعيد عن متناول الأطفال الأقل من 8 سنوات.

4. في حالة تلف سلك الإمداد، يجب أن يقوم باستبداله الشركة المصنعة أو عامل الخدمة التابع لها أو الأشخاص ذوو المؤهلات المماثلة لتجنب المخاطر. (بالنسبة إلى الجهاز الذي يحتوي على ملحق من النوع Y)

اقرأ هذه التعليمات بعناية قبل استخدام فرن الميكروويف، واحتفظ بها جيدًا. إذا اتبعت التعليمات كما هو موضح، سينفذ لك الفرن كل المهام التي تريدها لسنوات عديدة.

احفظ هذه التعليمات بعناية

4 - AR	1.معلومات السلامة
9 - AR	2.وصف المنتج
10 - AR	3.لوحة التحكم
11 - AR	4.استكشاف الأخطاء وإصلاحها
11 - AR	5.المواصفات
12 - AR	6.التركيب والتوصيل
12 - AR	7.المخاوف البيئية
13 - AR	8.ضمان IKEA

TILLREDA



Design and Quality
IKEA of Sweden