

# STUVA

## DESIGN

Ebba Strandmark

## CARE INSTRUCTIONS

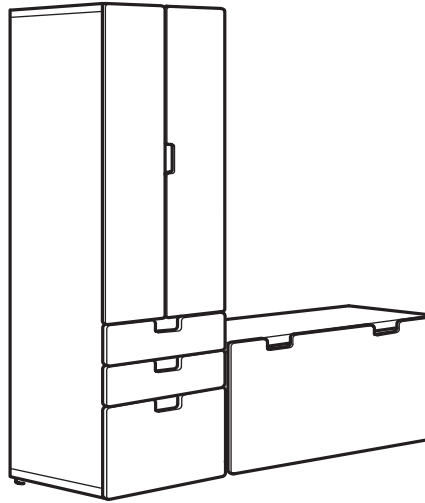
The frame can be cleaned with a damp cloth and then dried with a clean, dry cloth.

## SAFETY

Children rarely do what you expect them to do. They climb, clamber and play with things in ways that are often difficult to foresee. For that reason, always use the wall anchors supplied to secure all storage furniture that is more than 23½" in height safely to the wall. Our children's furniture and toys are tested, subjected to risk analysis to ensure they are suitable for children.

## ENVIRONMENT

STUVA shelf unit and shelves are made out of white foil on fiberboard and particleboard with a filling of recycled paper.



### Wardrobe for little ones

With STUVA storage system it's as easy as child's play to keep children's clothes in order – even for children. You can quickly customize the system to suit different storage needs and adapt it exactly to your children's clothes. When your children and their clothes grow, STUVA can grow with them. A good tip is to place the clothes rail and wire baskets where the children can reach them. Then they can help you keep things in order – and it's also so much fun for them to take out and try on clothes by themselves!

### Keeping things in order – pure child's play

Playing is fun – especially if one quickly finds what one's looking for. The STUVA storage system makes it easy for children to reach their toys and keep them in order. It's also easy to adapt to suit different styles, storage needs and ages. With large and small pull-out drawers, a sturdy toy box, shelves and a pull-out bench you create a combination that suits your child. Naturally, the system is safe and secure – and so stable that it can be played on or used as a work surface.

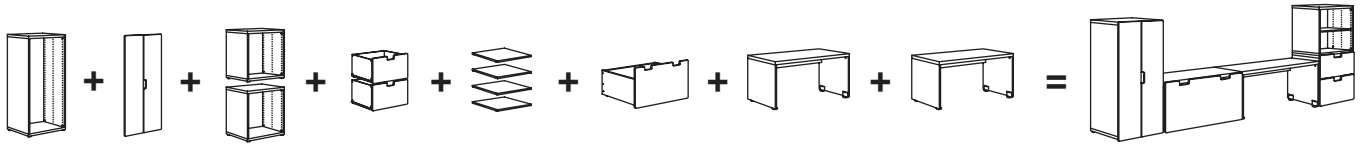


Design and Quality  
IKEA of Sweden

A high standard of accuracy has been sought in the preparation of this brochure.  
We apologize for, but will not be bound by or responsible for, errors and omissions in this brochure.

All the products (shown here) may not be available at the store. Some prices may vary by store.  
Please contact the staff or visit [www.IKEA-USA.com](http://www.IKEA-USA.com) for more information. For more detailed product information, see the price tag and the Internet. All units require assembly.

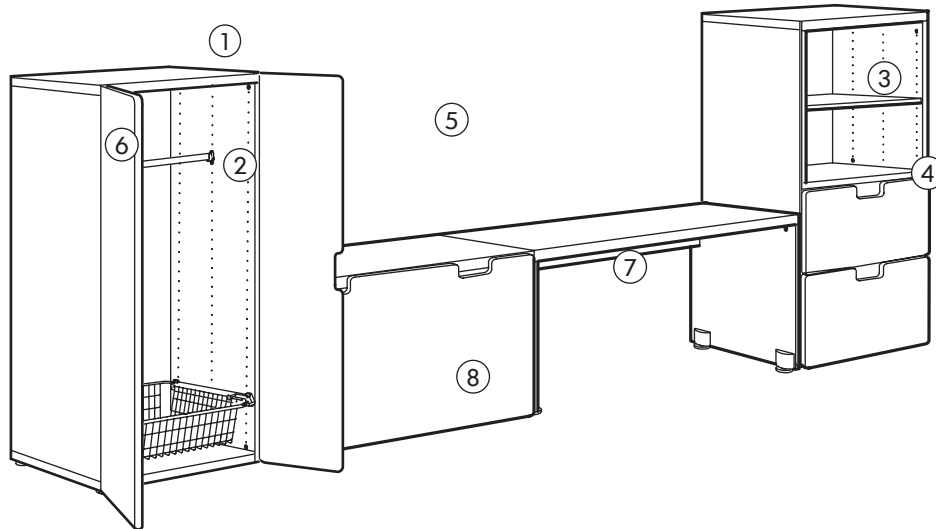
# HOW TO BUILD



The STUVA storage system is easy to put together and adapt to your child's needs. Start by thinking about how you want to use the system, what you will store in it and how much space you have. Then choose the parts you need – frames, doors, drawer fronts, shelves, clothes rails, worktops and wire baskets.

Most parts are available in different heights, widths and colors and all are sold separately, so you're free to combine them as you like. Now all you have to do is build your system piece by piece.

# GOOD TO KNOW



1. Children rarely do what you expect them to do. They climb, clamber and play with things in ways that are often difficult to foresee. For that reason, always use the wall anchors supplied to secure all storage furniture that is more than 23½" in height safely to the wall

2. Doors and interiors are sold separately.

3. Shelves are sold separately.

4. A shelf is needed as a divider between the shelf unit and drawers in the storage solution, which is sold separately.

5. The system is flexible with many possibilities of combinations; Choose a combination that fits the space available in your home and meets your storage needs.

6. A tip is to place the clothes rail and the wire basket so the children can reach them, then they can choose their own outfits and help keeping everything in order.

7. In this combination there are also a bench that can be used as a small work desk where all children's chairs and children's stools from Children's IKEA can fit.

8. Safety is very important to us at IKEA. Therefore we test our storage systems according to the very strictest security standards there are on the market.

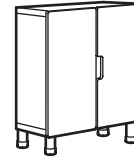
# COMBINATIONS



**Toy bench.** Low storage to match your child's height; makes it easier for them to reach and organize their things. Can also be used as a bench.

Total size: 19 $\frac{5}{8}$ x19 $\frac{5}{8}$ x35 $\frac{3}{8}$ "

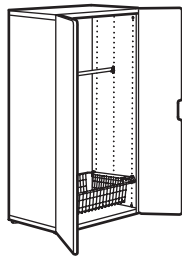
**This combination \$99** (398.737.32)



**Toy storage with workspace.** Build a low storage solution; you get a lot of storage space on a limited floor area. Combine both open and concealed storage; display the things you use often – keep the rest protected from dust.

Total size: 29 $\frac{1}{2}$ x11 $\frac{3}{4}$ x23 $\frac{5}{8}$ "

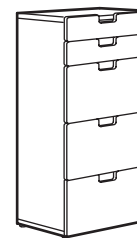
**This combination \$85** (498.737.36)



**Low price wardrobe.** The perfect wardrobe for your child. A good tip is to place the clothes rail and wire baskets where the children can reach them.

Total size: 50 $\frac{3}{8}$ x19 $\frac{5}{8}$ x23 $\frac{5}{8}$ "

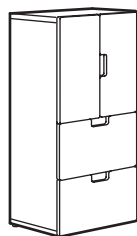
**This combination \$114** (698.737.35)



**Dresser (for parents).** Build a high storage solution; you get a lot of storage space on a limited floor area.

Total size: 50 $\frac{3}{8}$ x19 $\frac{5}{8}$ x23 $\frac{5}{8}$ "

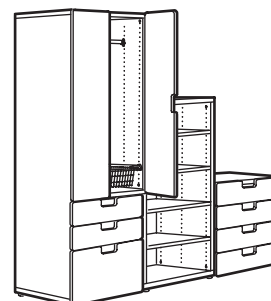
**This combination \$167** (998.737.34)



**Toy Storage.** Low storage to match your child's height; makes it easier for them to reach and organize their things.

Total size: 50 $\frac{3}{8}$ x19 $\frac{5}{8}$ x23 $\frac{5}{8}$ "

**This combination \$154** (598.737.31)



**Ultimate clothes storage.** The system is flexible with many possible combinations. Choose a combination that fits the space available in your home and meets your storage needs.

Total size: 75 $\frac{5}{8}$ x19 $\frac{5}{8}$ x70 $\frac{7}{8}$ "

**This combination \$403** (798.737.30)

# ALL THE PARTS AND PRICES



**STUVA frame** 23 3/8 x 75 1/8", depth 19"

White	301.573.77	<b>\$70</b>
-------	------------	-------------



**STUVA frame** 23 3/8 x 50", depth 19"

White	001.286.21	<b>\$60</b>
-------	------------	-------------



**STUVA frame** 23 3/8 x 25 1/4", depth 19"

White	301.281.77	<b>\$40</b>
-------	------------	-------------



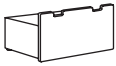
**STUVA frame** 23 3/8 x 25 1/4", depth 11 3/4"

White	201.286.20	<b>\$35</b>
-------	------------	-------------



**STUVA bench** 35 x 19", depth 19"

White	301.286.29	<b>\$49</b>
-------	------------	-------------



**STUVA MÅLAD storage box** 35 3/8 x 16 7/8", depth 1 9/4"

Coordinates with STUVA bench.

Blue	001.286.78	<b>\$50</b>
------	------------	-------------

Green	201.286.77	<b>\$50</b>
-------	------------	-------------

Pink	101.286.54	<b>\$50</b>
------	------------	-------------

White	101.319.63	<b>\$50</b>
-------	------------	-------------

Birch	301.737.30	<b>\$60</b>
-------	------------	-------------



**STUVA BETSAD storage box** 35 3/8 x 16 7/8", depth 1 9/4"

Coordinates with STUVA bench.

Black-Brown	302.100.92	<b>\$60</b>
-------------	------------	-------------

Gray-Brown	201.991.27	<b>\$60</b>
------------	------------	-------------

White stain	401.991.26	<b>\$60</b>
-------------	------------	-------------



**STUVA GRUNDLIG drawer without front** 6 1/4".

Drawers and drawer fronts are sold separately.

White	701.286.89	<b>\$10</b>
-------	------------	-------------



**STUVA GRUNDLIG drawer without front** 12"

Drawers and drawer fronts are sold separately.

White	901.286.88	<b>\$14</b>
-------	------------	-------------



**STUVA GRUNDLIG shelf** white. Shelves are sold

separately. A shelf is needed as a divider between the shelf unit and drawers in the storage solution, which is sold separately.

22 x 10 1/4"	201.286.96	<b>\$5</b>
--------------	------------	------------

22 x 17 1/4"	001.286.97	<b>\$8</b>
--------------	------------	------------



**STUVA MÅLAD door** 23 3/8 x 50". Doors and interiors are sold separately.

Blue	001.690.94	<b>\$45</b>
------	------------	-------------

Green	701.690.95	<b>\$45</b>
-------	------------	-------------

Pink	201.690.93	<b>\$45</b>
------	------------	-------------

White	701.588.03	<b>\$45</b>
-------	------------	-------------

Birch	801.706.11	<b>\$55</b>
-------	------------	-------------



**STUVA BETSAD door** 23 3/8 x 50". Doors and interiors are sold separately.

Black-Brown	002.100.84	<b>\$55</b>
-------------	------------	-------------

Gray-Brown	201.199.08	<b>\$55</b>
------------	------------	-------------

White stain	001.991.14	<b>\$55</b>
-------------	------------	-------------



**STUVA MÅLAD door** 23 3/8 x 25 1/4". Doors and interiors are sold separately.

Blue	101.691.02	<b>\$30</b>
------	------------	-------------

Green	301.691.01	<b>\$30</b>
-------	------------	-------------

Pink	901.690.99	<b>\$30</b>
------	------------	-------------

White	001.588.06	<b>\$30</b>
-------	------------	-------------

Birch	601.706.12	<b>\$40</b>
-------	------------	-------------



**STUVA BETSAD door** 23 3/8 x 25 1/4". Doors and interiors are sold separately.

Black-Brown	502.100.86	<b>\$40</b>
-------------	------------	-------------

Gray-Brown	601.991.11	<b>\$40</b>
------------	------------	-------------

White stain	501.991.16	<b>\$40</b>
-------------	------------	-------------



**STUVA MÅLAD drawer front** 23 3/8 x 6 1/4". Drawers and drawer fronts are sold separately.

Blue	901.319.64	<b>\$7.50</b>
------	------------	---------------

Green	601.319.65	<b>\$7.50</b>
-------	------------	---------------

Pink	401.319.66	<b>\$7.50</b>
------	------------	---------------

White	601.286.80	<b>\$7.50</b>
-------	------------	---------------

Birch	301.737.25	<b>\$12</b>
-------	------------	-------------



**STUVA BETSAD drawer front** 23 3/8 x 6 1/4". Drawers and drawer fronts are sold separately.

Black-Brown	102.100.88	<b>\$12</b>
-------------	------------	-------------

Gray-Brown	901.991.19	<b>\$12</b>
------------	------------	-------------

White stain	101.991.18	<b>\$12</b>
-------------	------------	-------------



**STUVA MÅLAD drawer front** 23 3/8 x 12". Drawers and drawer fronts are sold separately.

Blue	801.286.79	<b>\$10</b>
------	------------	-------------

Green	401.286.81	<b>\$10</b>
-------	------------	-------------

Pink	201.286.82	<b>\$10</b>
------	------------	-------------

White	201.319.67	<b>\$10</b>
-------	------------	-------------

Birch	001.737.22	<b>\$15</b>
-------	------------	-------------



**STUVA BETSAD drawer front** 23 3/8 x 12". Drawers and drawer fronts are sold separately.

Black-Brown	702.100.90	<b>\$15</b>
-------------	------------	-------------

Gray-Brown	101.991.23	<b>\$15</b>
------------	------------	-------------

White stain	301.991.22	<b>\$15</b>
-------------	------------	-------------



**STUVA GRUNDLIG clothes rail.** Doors and interiors are sold separately.

White	801.286.98	<b>\$2</b>
-------	------------	------------



**STUVA GRUNDLIG wire basket** 23 3/8 x 5 1/8", depth 1 9/4".

Doors and interiors are sold separately.

White	301.286.91	<b>\$7</b>
-------	------------	------------



**STUVA GRUNDLIG leg** 2-p, including green, pink and blue color options. Height 4 1/8-4 7/8"

	601.286.99	<b>\$5</b>
--	------------	------------



**KUSINER box**, 3-p, blue/green/red. Height 7 1/8"

	201.632.65	<b>\$7.99</b>
--	------------	---------------



**KUSINER storage basket**, 3-p, turquoise/green/red. Ø7"

	901.632.57	<b>\$4.99</b>
--	------------	---------------



**KUSINER box** 10 x 14"

red/orange	101.632.61	<b>\$4.99</b>
------------	------------	---------------

green/turquoise	801.728.27	<b>\$4.99</b>
-----------------	------------	---------------



**KUSINER box with lid**, 31 x 16 1/2 x 16 1/4", white/green/

turquoise. Coordinates with STUVA bench.

	801.912.89	<b>\$14.99</b>
--	------------	----------------



**KUSINER box with compartments**, 20 x 16 1/2 x 3 1/2", white/

green. Coordinates with STUVA GRUNDLIG drawers.

	001.912.93	<b>\$5.99</b>
--	------------	---------------