

## ROMAN SHADE AND ROLLER BLIND SAFETY WARNINGS

**Please follow the warnings below carefully. Check that any window coverings already installed were done so in a safe manner and in accordance with the warnings.**

### ASSEMBLY

Follow the assembly instructions carefully. Always fit safety devices provided. Wall fixings not supplied. Use wall fixings suitable for the walls in your home. For advice on suitable fixings contact your local hardware store.

### 1. ALL WINDOW COVERINGS

#### WARNING

Young children can strangle in pull cords and bead chains, and cords that run through window coverings. They can also wrap cords around their necks. To avoid strangulation and entanglement, keep cords and bead chains out of reach of young children. Also:

- 1) Install safety devices that remove the cord loop or reduce access to cords, and
- 2) Move cots and furniture away from window covering cords and bead chains.

### 2. ROLLER BLINDS AND ROMAN SHADES

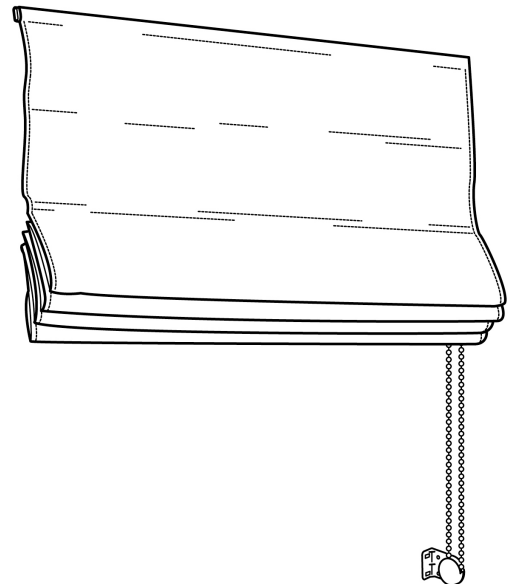
**IKEA window coverings are supplied with safety devices designed to minimize the risk of strangulation or entanglement in pull cords and bead chains.**

#### a) Tension device on Roller blinds and Roman shades with bead chains

#### WARNING

Young children can STRANGLE in bead chain loops. Always keep bead chains out of children's reach.

- Move cribs, playpens, and other furniture away from bead chains. Children can climb furniture to get to bead chains.
- The tension device reduces the hazards of strangulation or entrapment by limiting access to the bead chain.
- Anchor the tension device to the wall so young children cannot pull the bead chain around their necks.



## **b) Cleats and cord stops on Roman shades with individual operating cords**

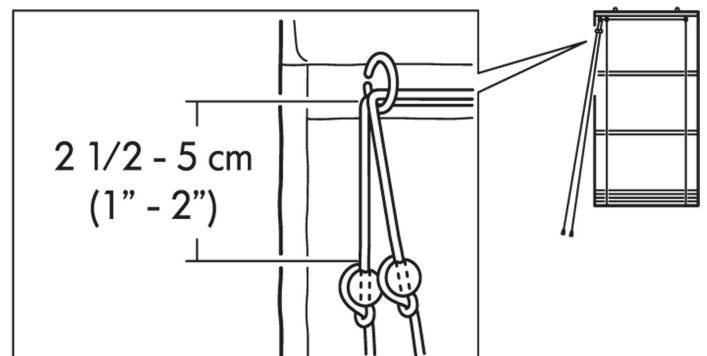
### **WARNING**

Young children can wrap cords around their necks and STRANGLE. Always keep cords out of children's reach.

- Mount cleat provided at a sufficient height, so as to keep cords out of reach of young children. Cords must be fully wrapped around the cleat at all times.
- Move cribs, playpens, and other furniture away from cords and bead chains. Children can climb furniture to get to cords.
- Do not tie cords together. Make sure cords do not twist together and create a loop.

Inner cords on the reverse of the shades can pull out to form a loop, which can strangle a young child.

- Inner cord stop devices can reduce this risk if positioned correctly on the pull cords.
- Always ensure that inner cord stop devices are within 2" (50 mm) of head rail when blind is in the fully lowered position.



**IKEA recommends that you install only cordless window coverings in young children's bedrooms and sleeping areas.**